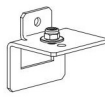
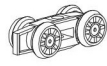


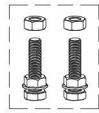
x1



x5



x2



x1



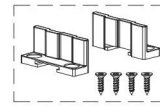
x2



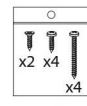
x2



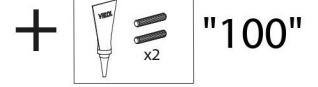
x3



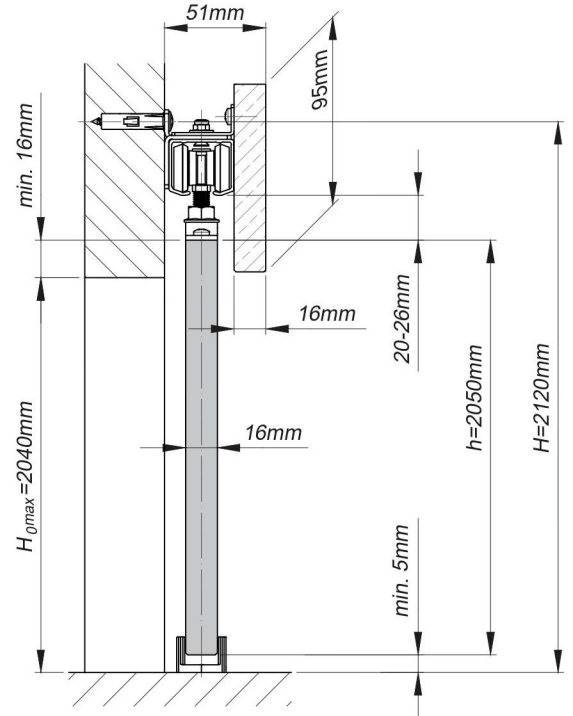
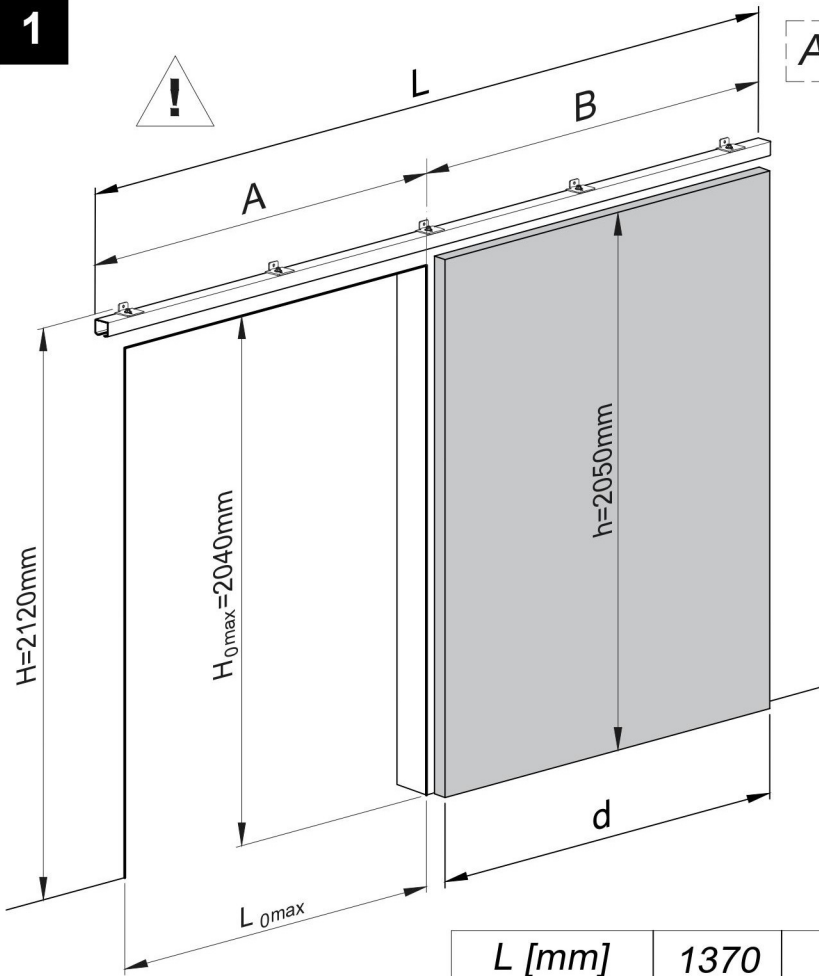
x1



x1

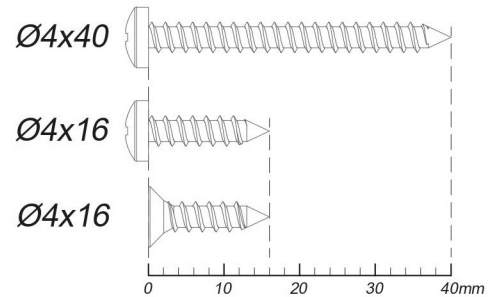
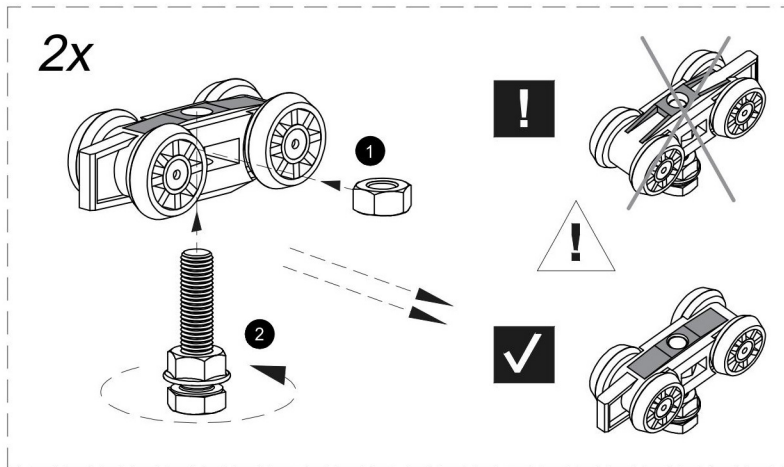


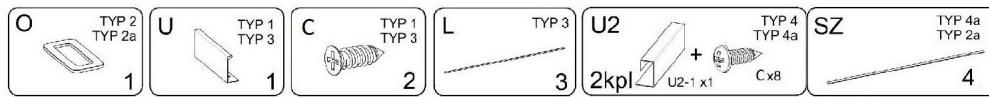
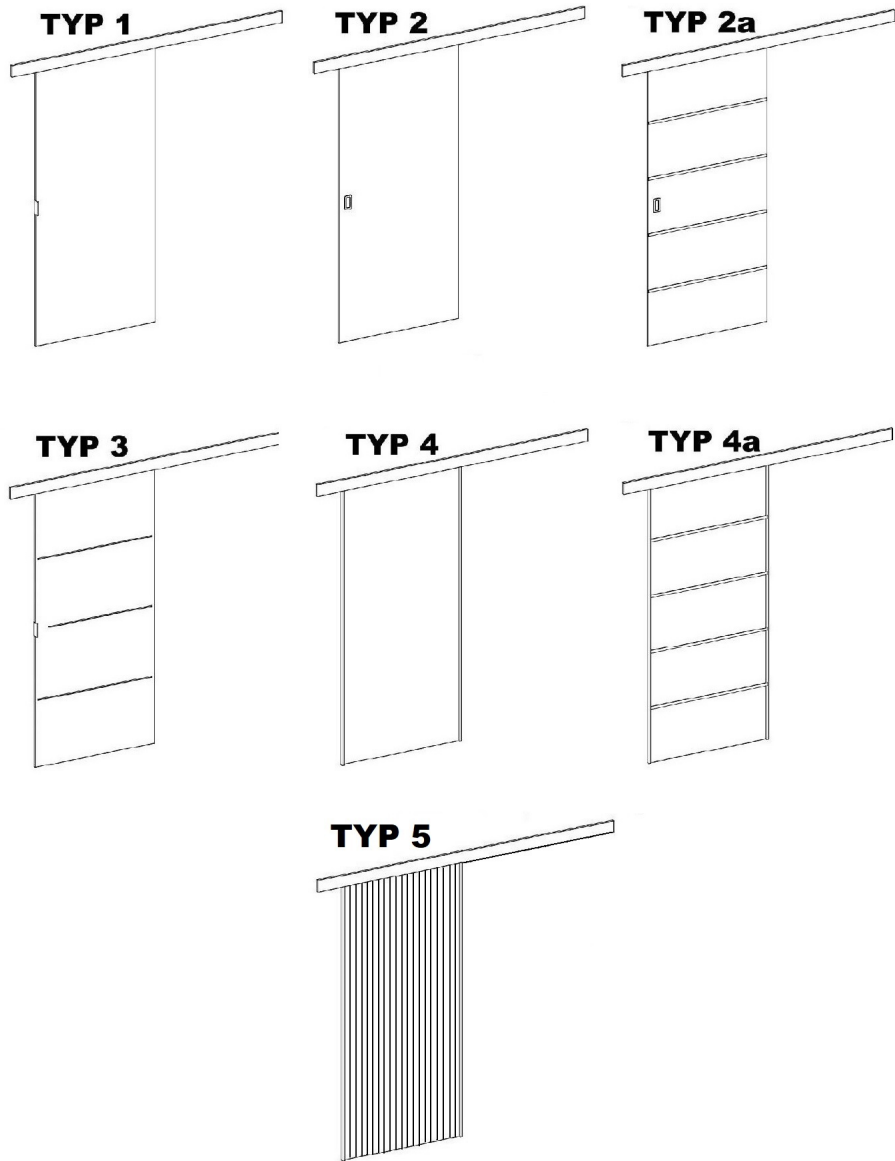
1



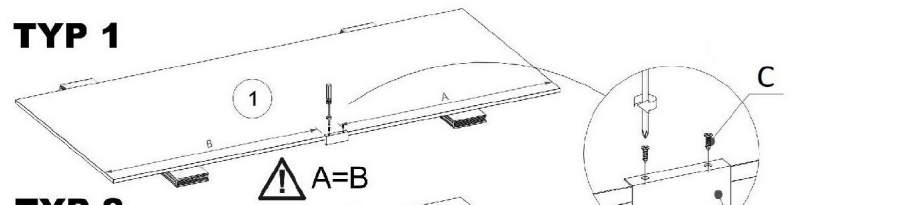
L [mm]	1370	2000			
d [mm]	660 "60"	760 "70"	860 "80"	960 "90"	1060 "100"
L <sub>0max</sub> [mm]	600	700	800	900	1000

2

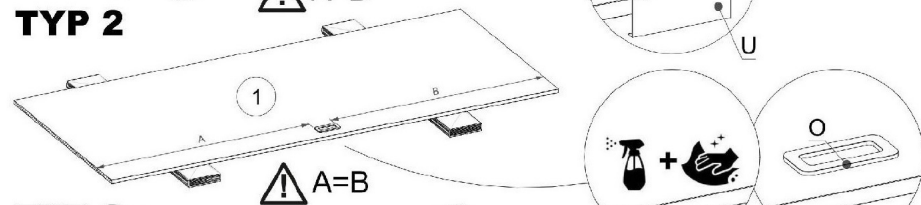




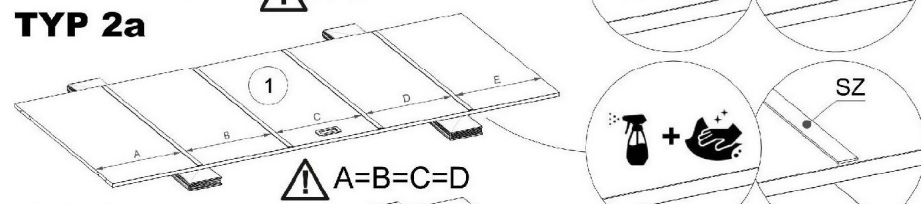
**TYP 1**



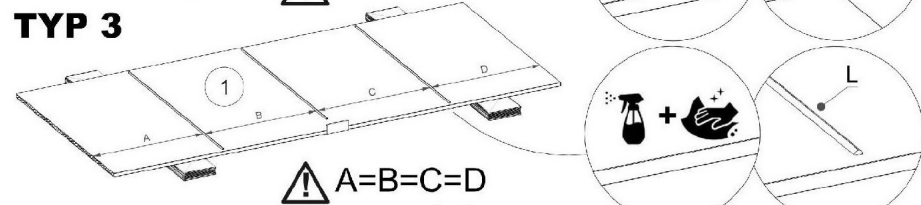
**TYP 2**



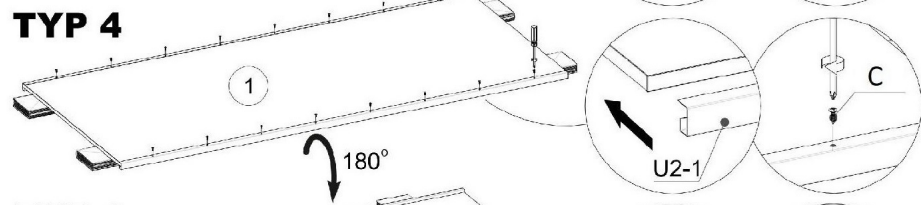
**TYP 2a**



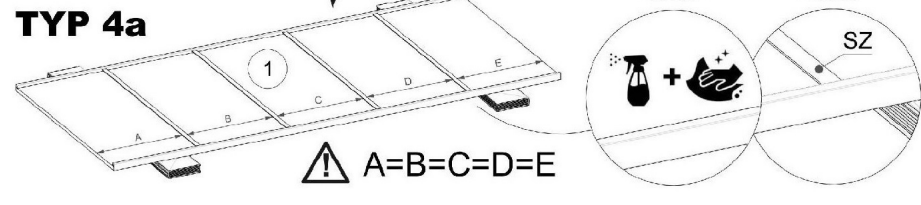
**TYP 3**



**TYP 4**



**TYP 4a**

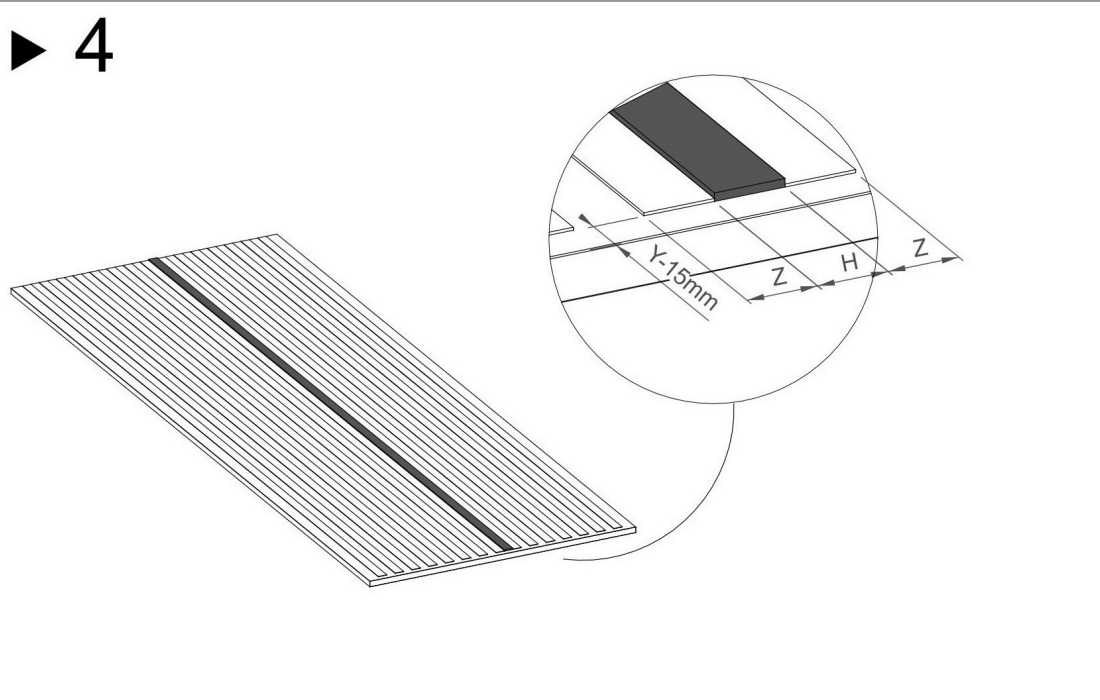
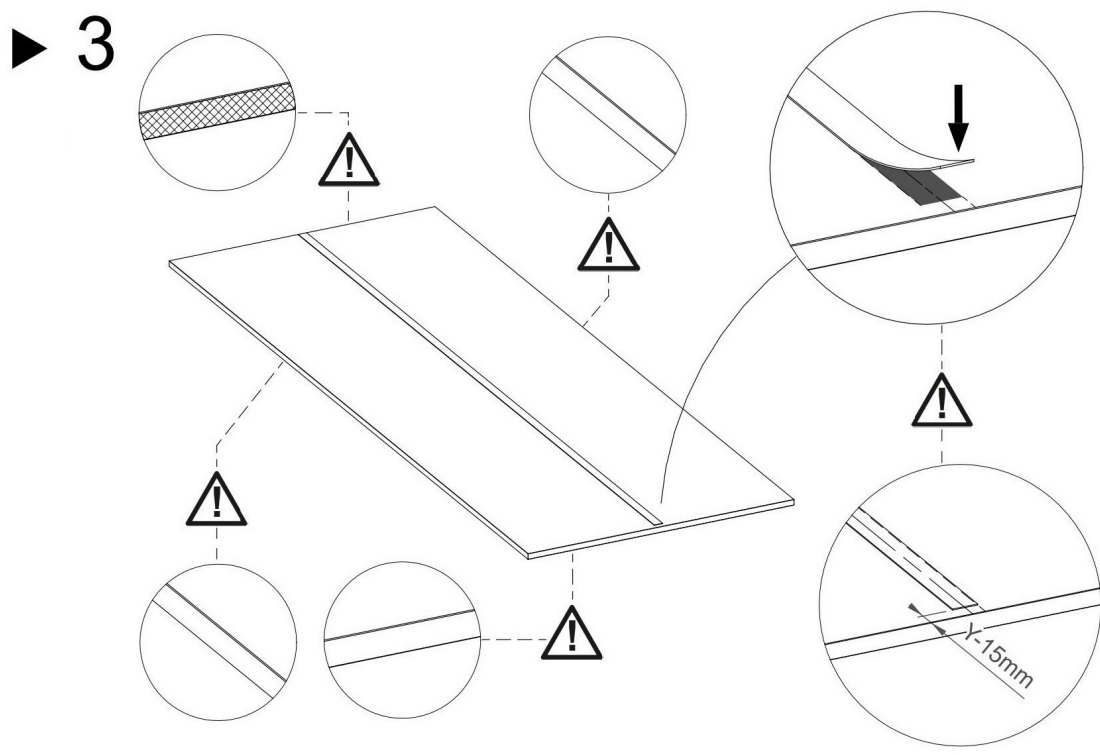
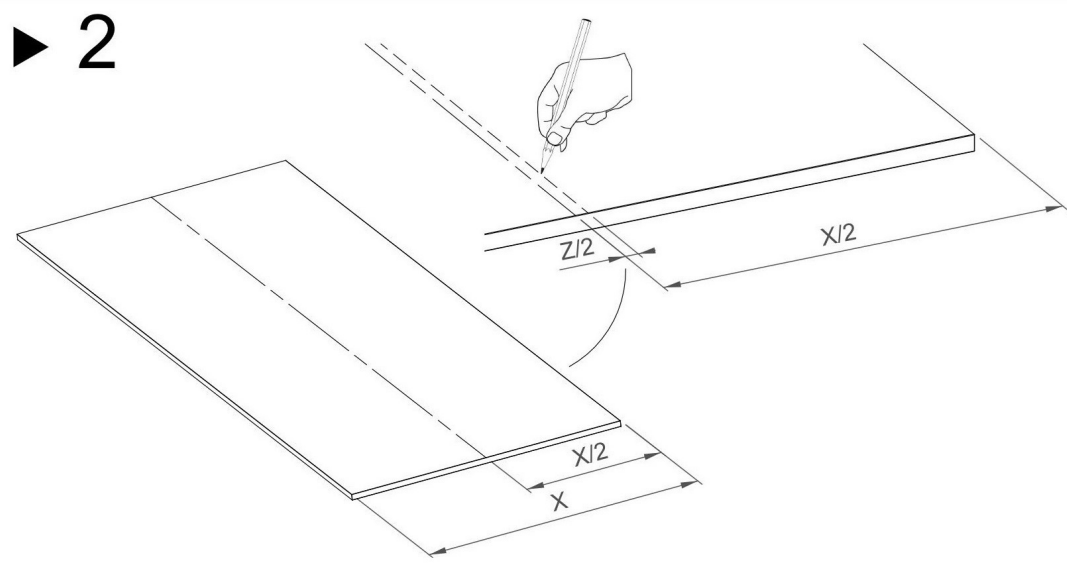
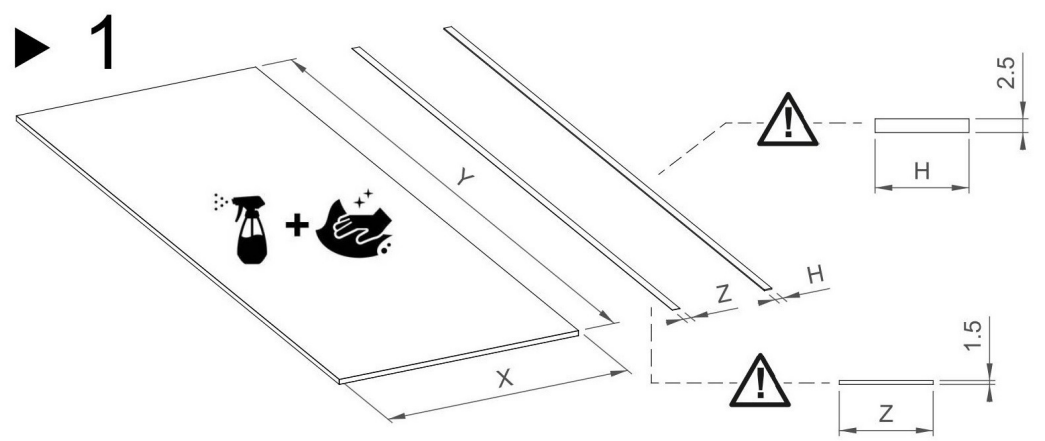
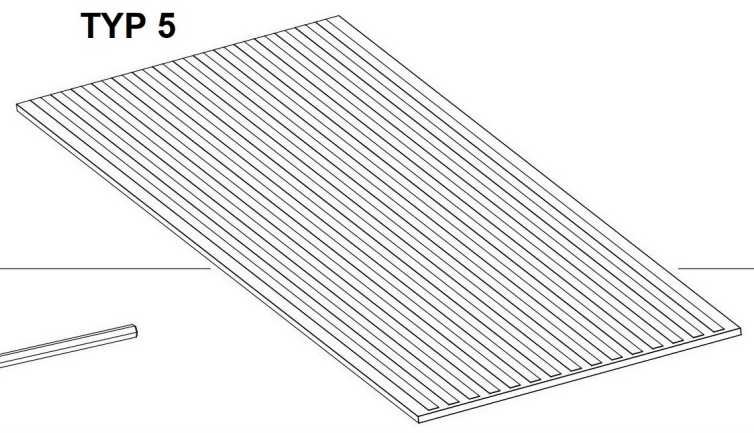
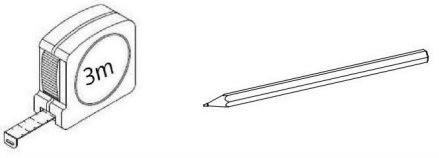


3b

TYP 5

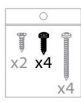


~25 min



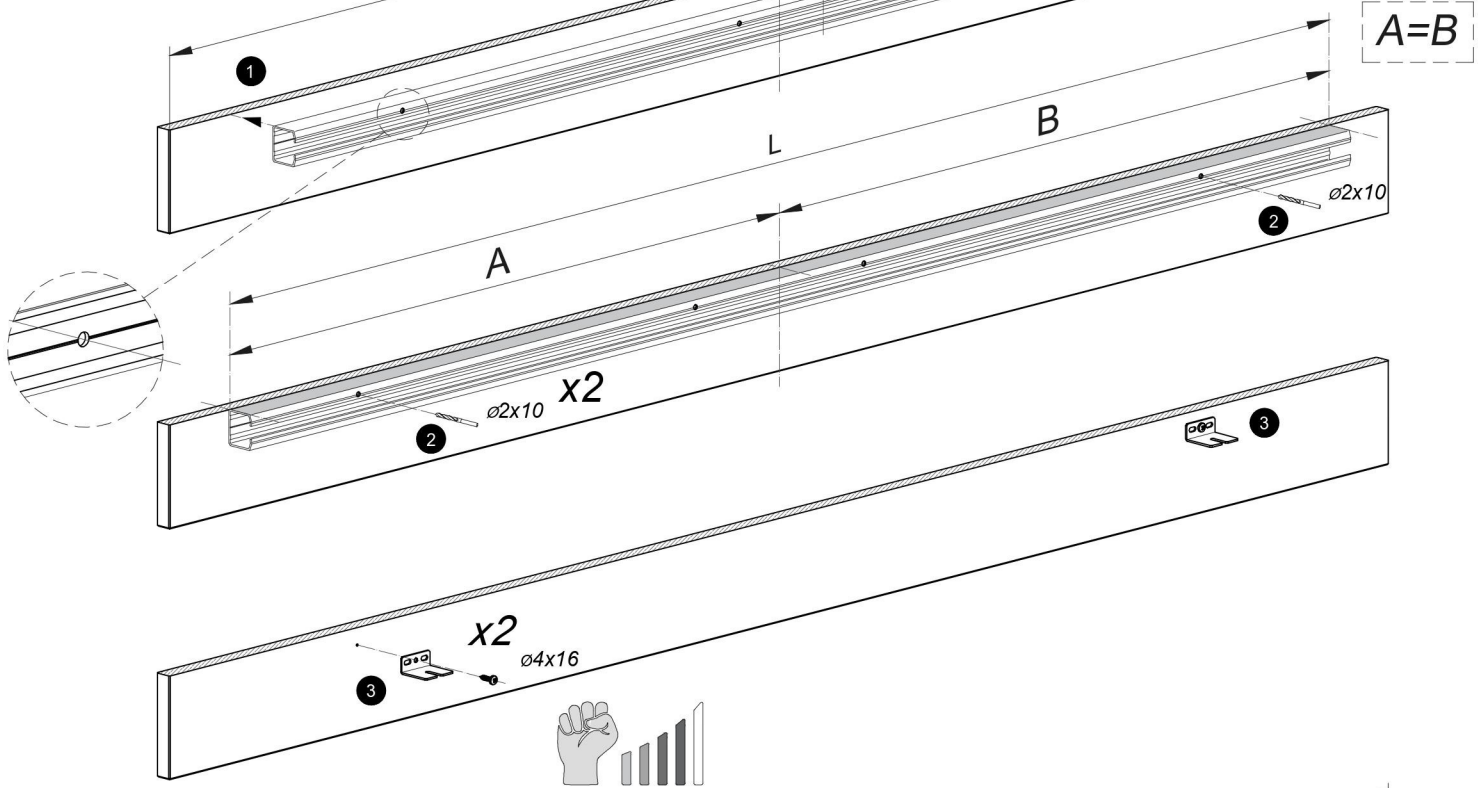


4a

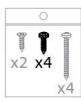


"60"

1520mm

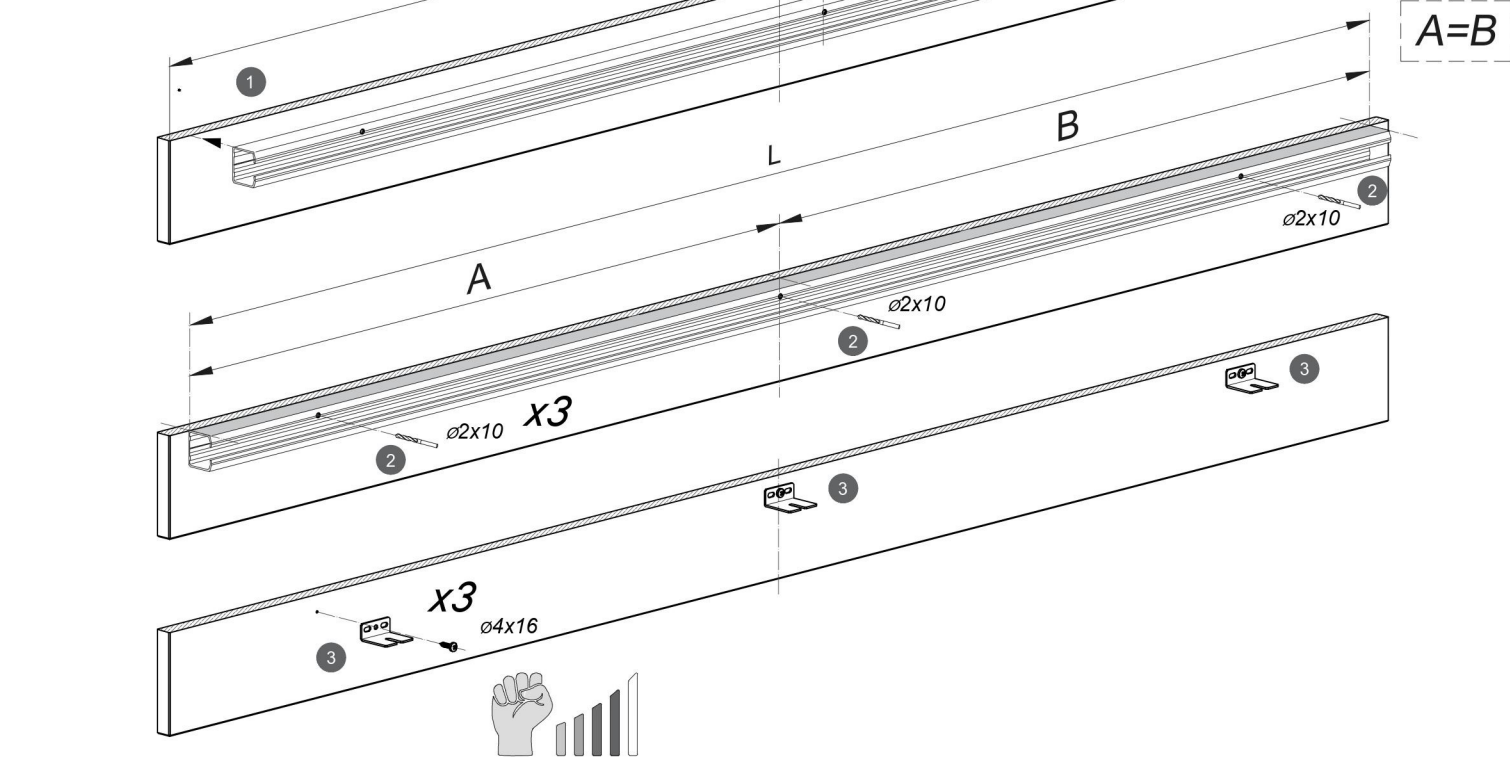


4b



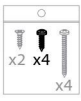
"70" / "80" / "90"

2050mm





4c



"100"



1100mm

1100mm

2200mm

A=B

A

B

L

ø2x10

ø2x10 x2

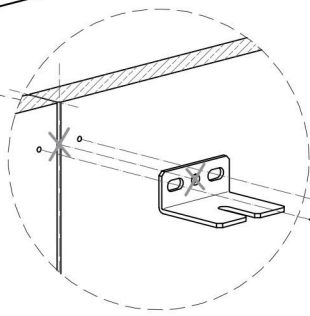
ø2x2

ø4x16 x2

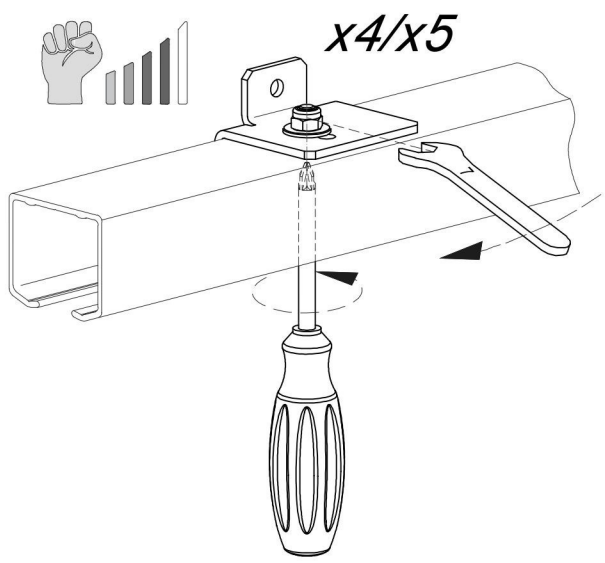
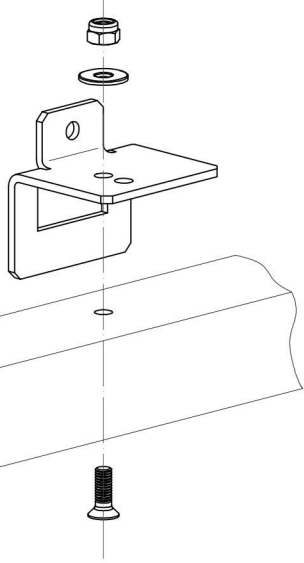
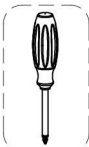


ø2x10

ø4x16



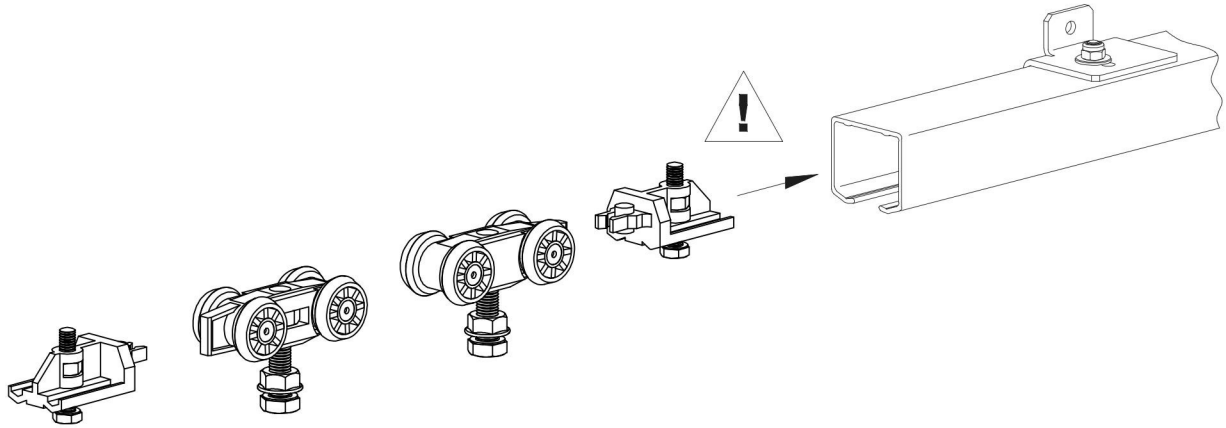
5



x4/x5



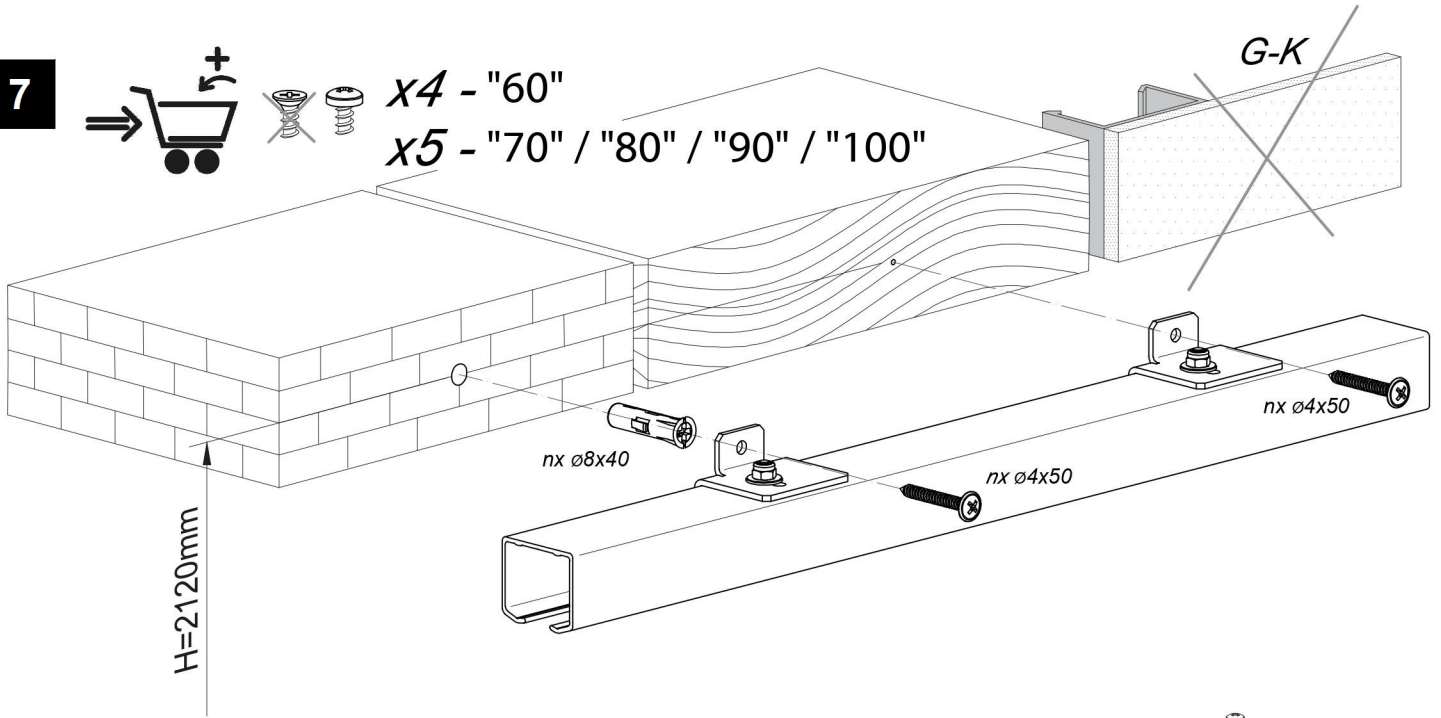
6



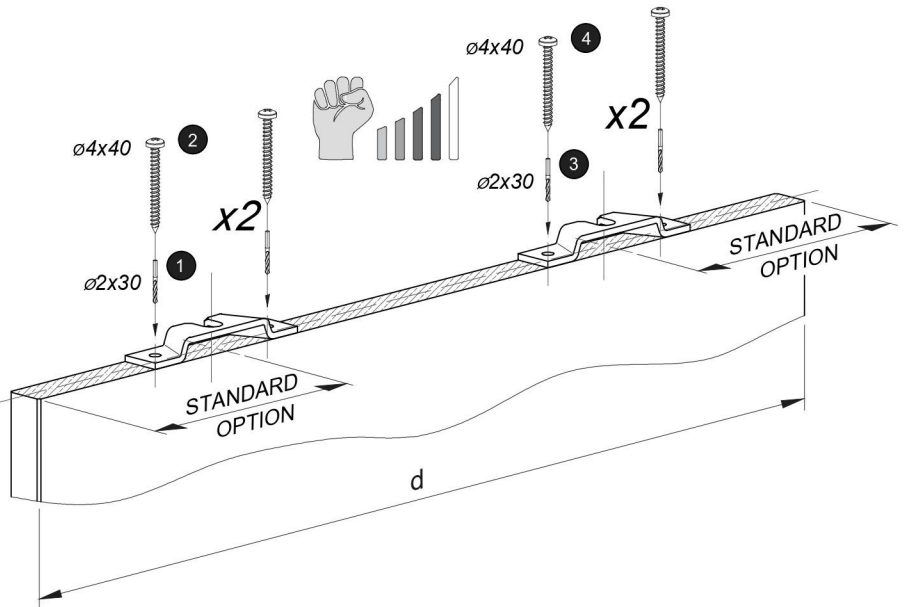
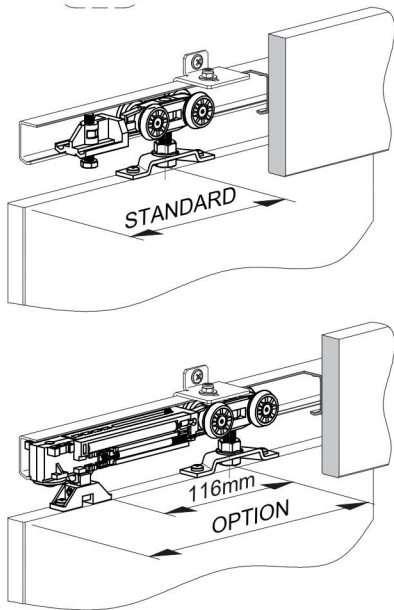
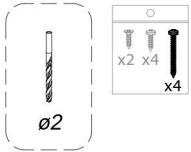
7



x4 - "60"  
x5 - "70" / "80" / "90" / "100"



8

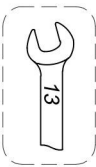


⚠

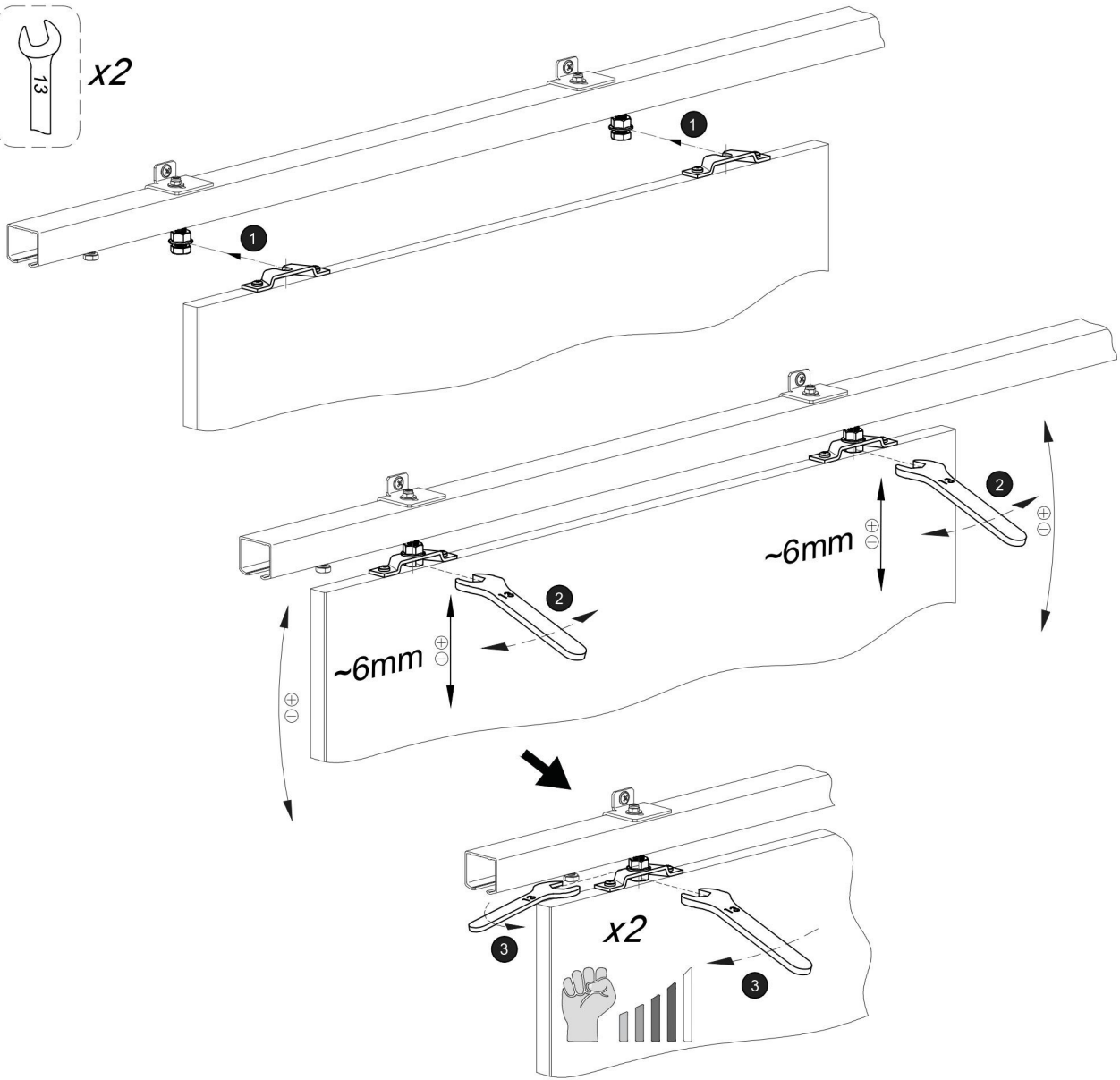
d [mm]	660 "60"	760 "70"	860 "80"	960 "90"	1060 "100"
STANDARD [mm]		100			160
OPTION [mm]		180			210



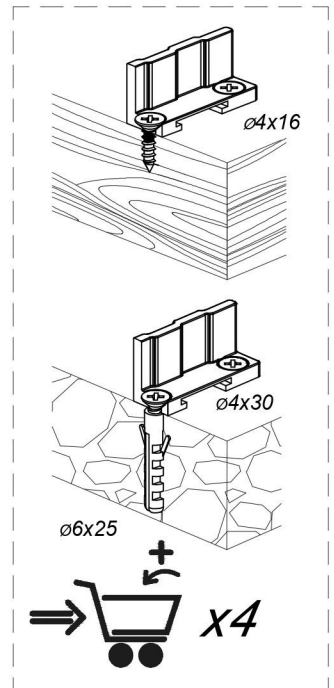
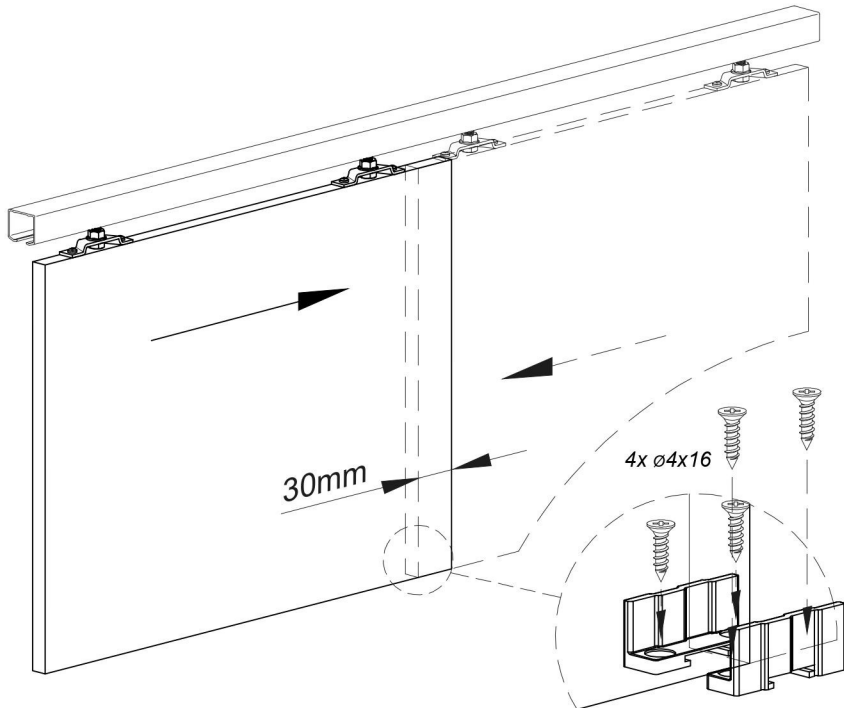
9



x2

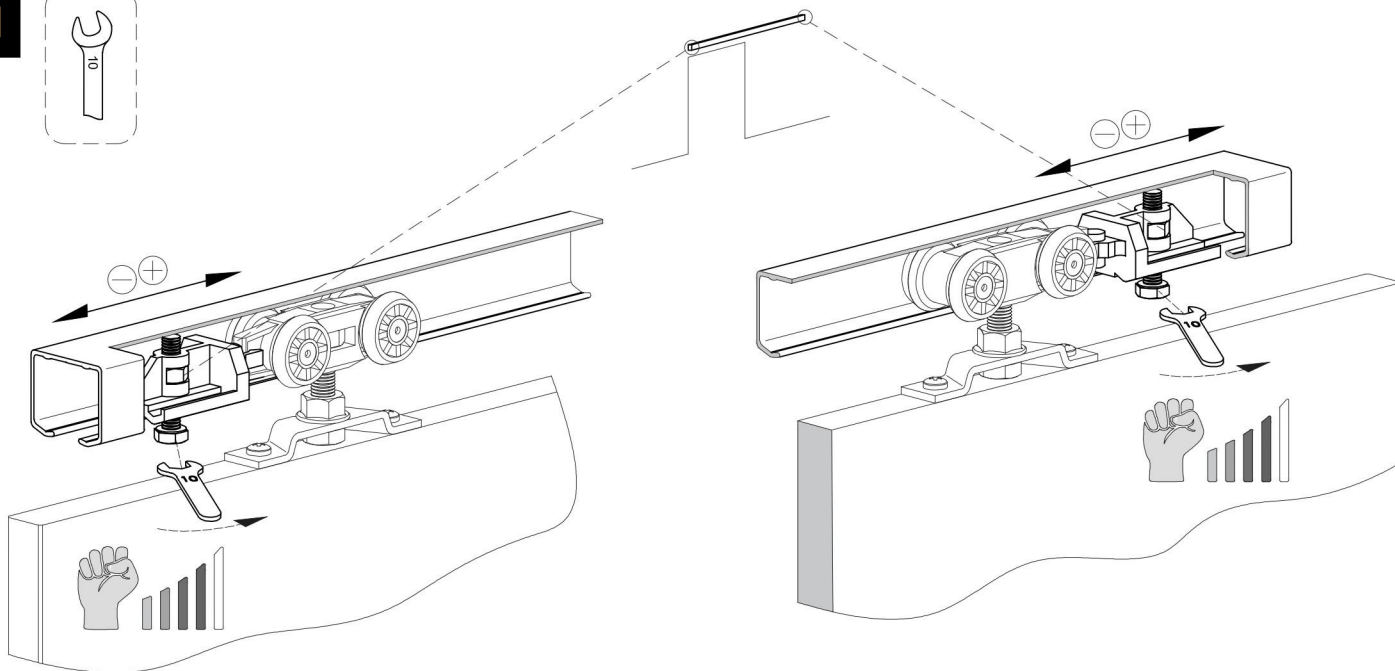
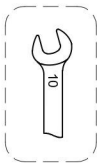


10

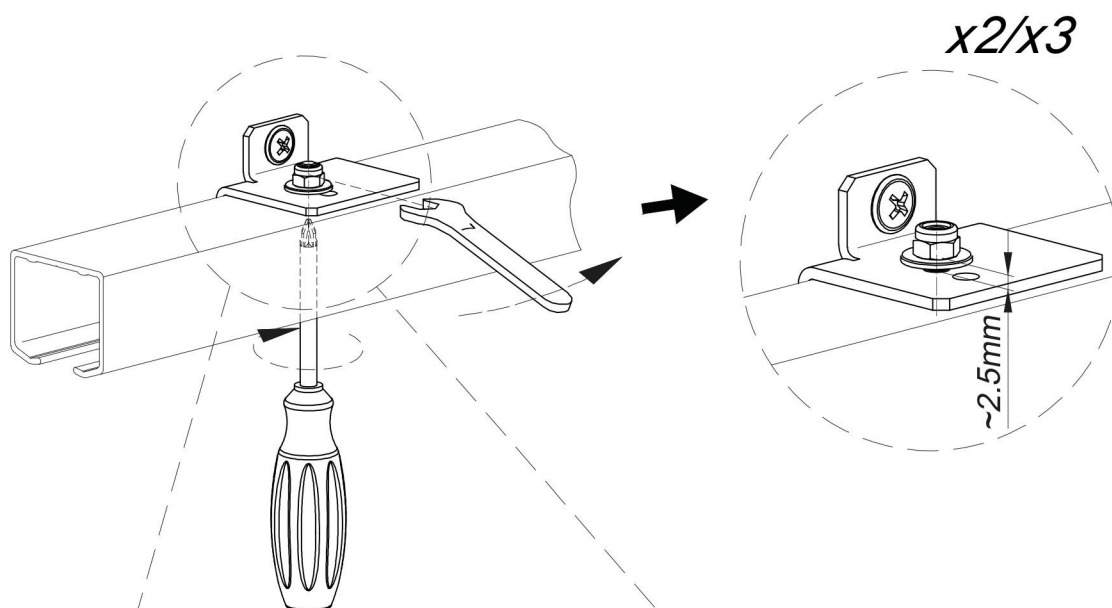
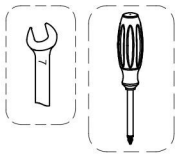




11

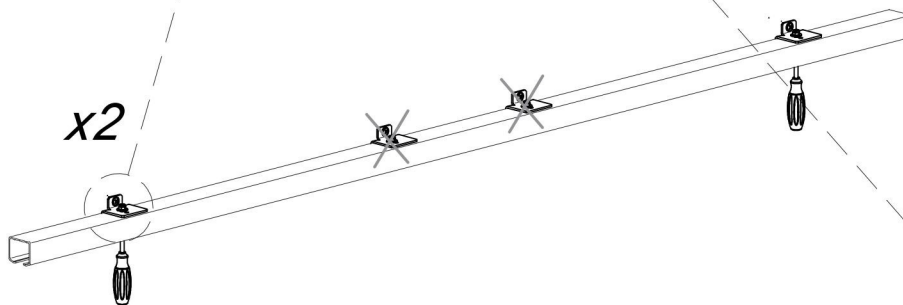


12



12a

"60"



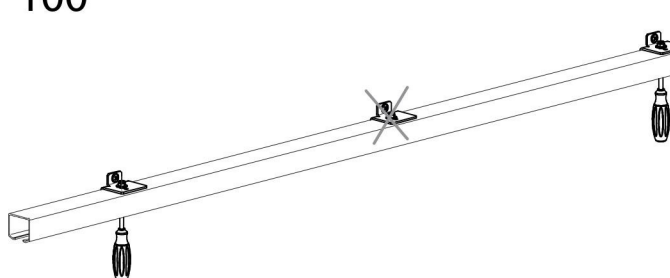
12b

"70" / "80" / "90"

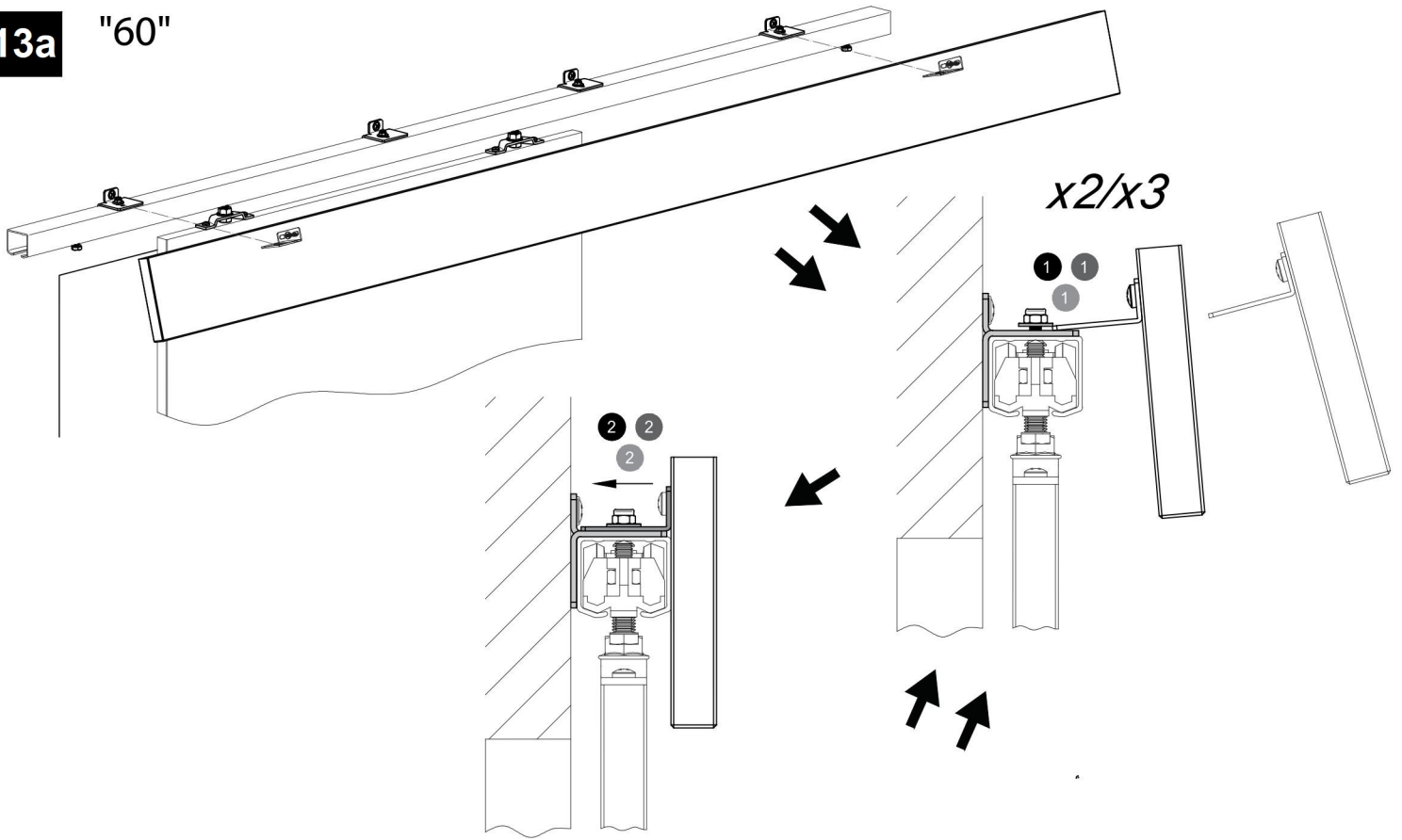


12c

"100"

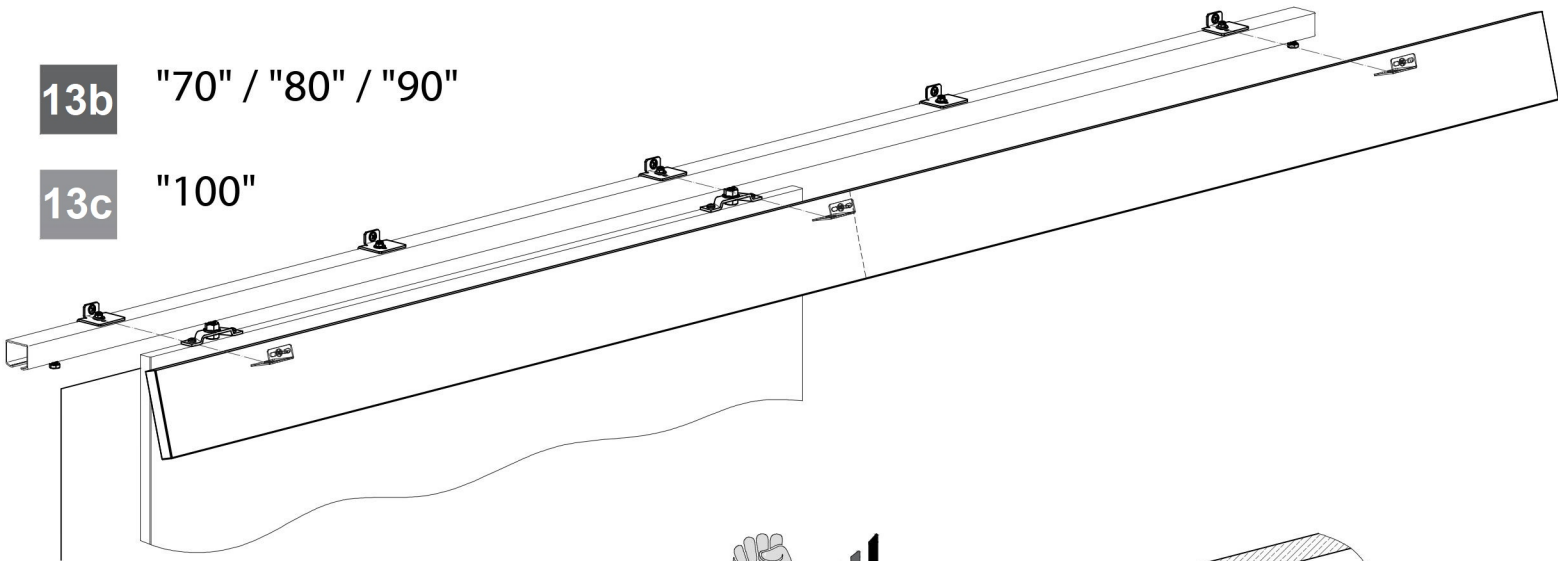


**13a** "60"

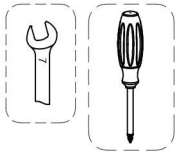


**13b** "70" / "80" / "90"

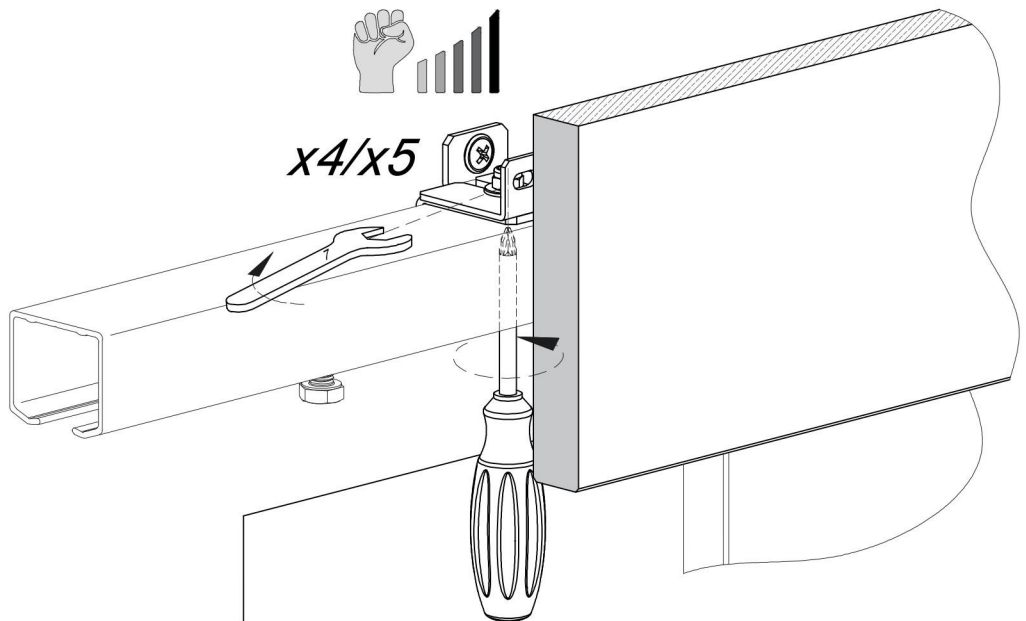
**13c** "100"

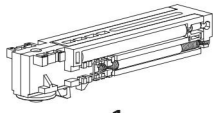


**14**



**x4/x5**





x1



x1



x2



#2  
x1

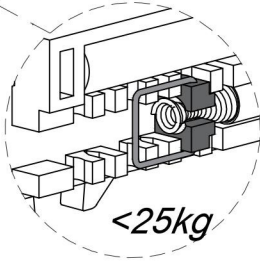
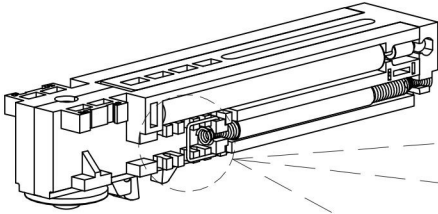


#2.5  
x1

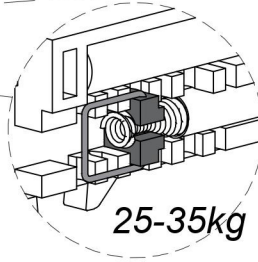


#4  
x1

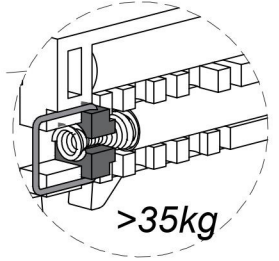
1



<25kg



25-35kg

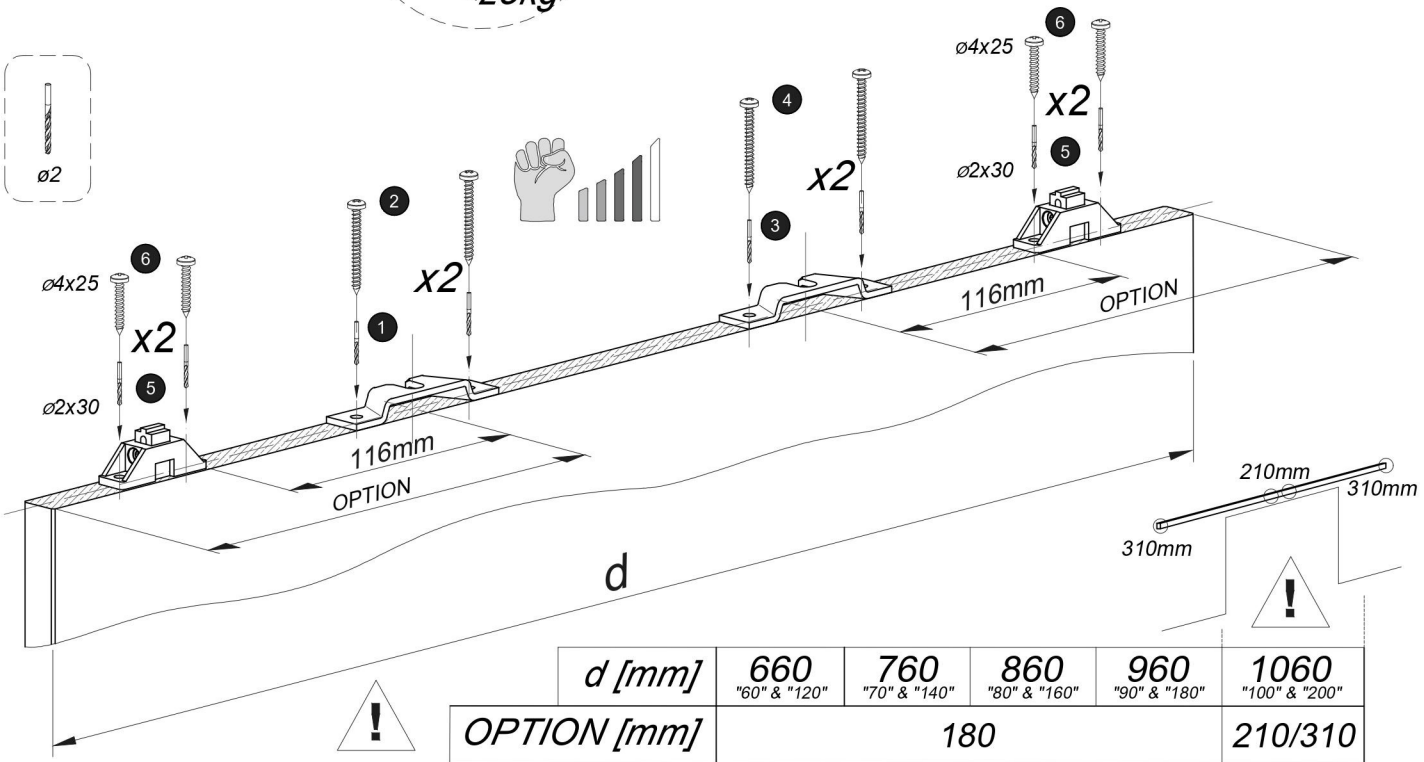


>35kg

2



∅2



3



#2

