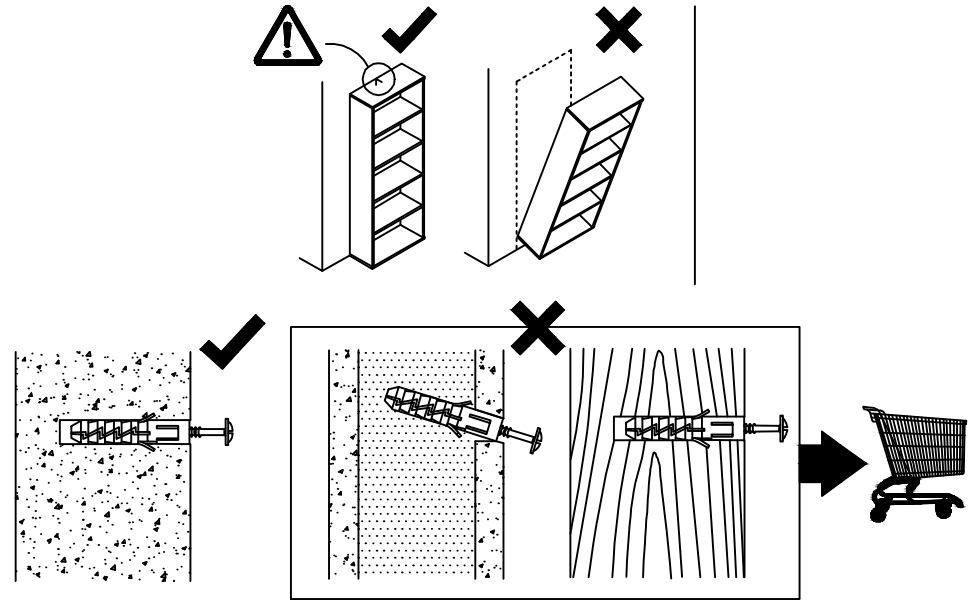
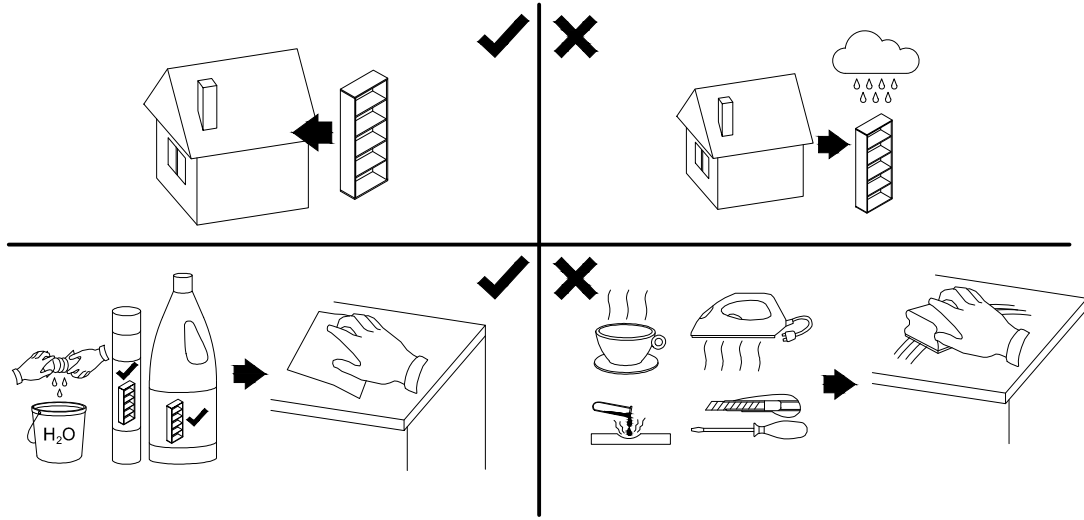
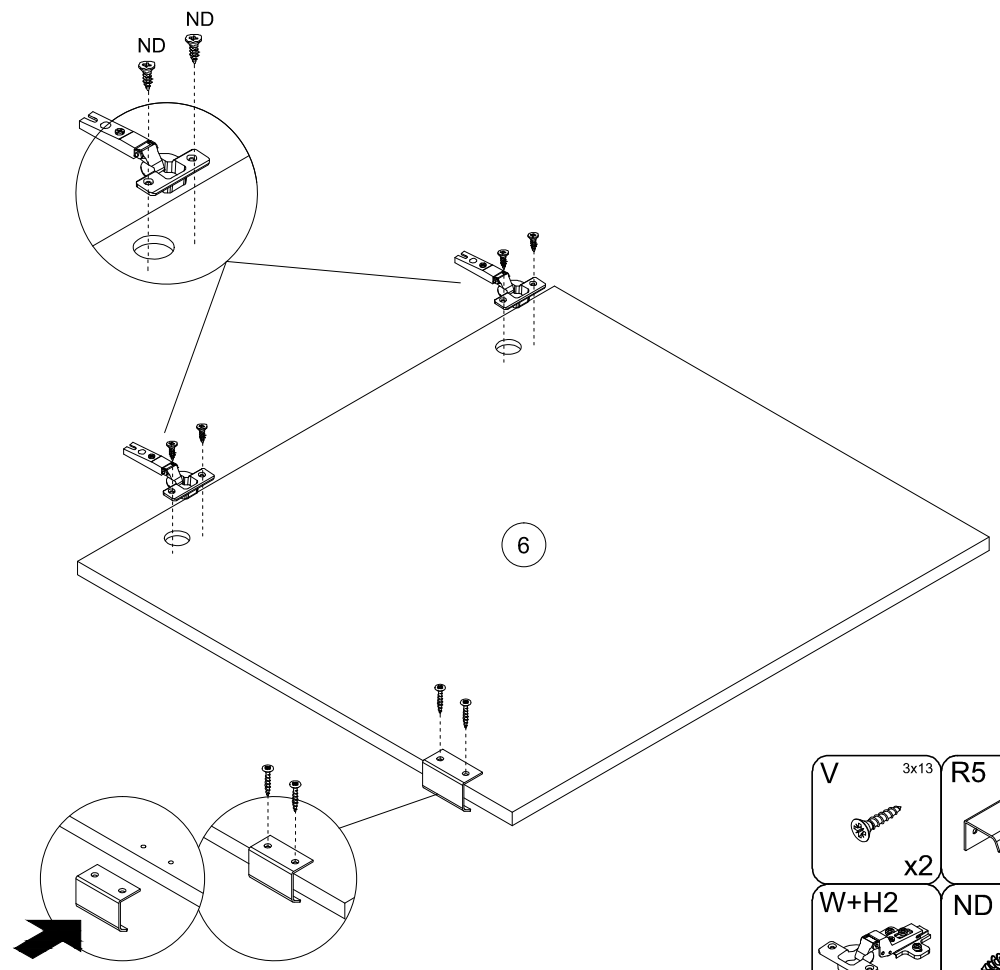
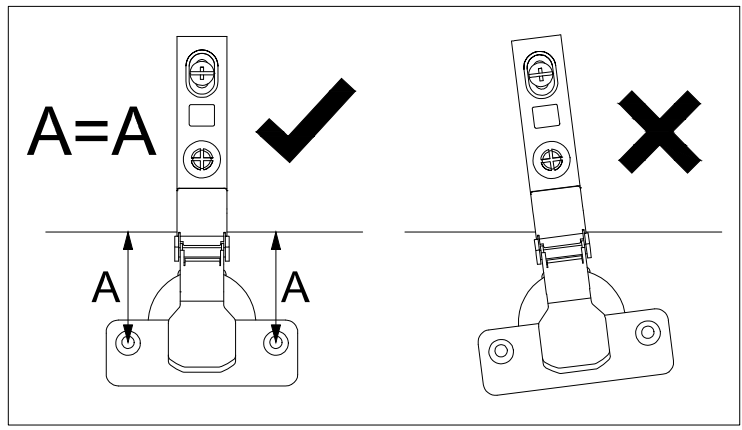
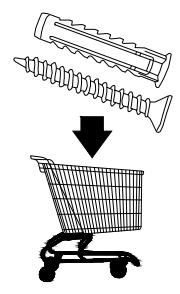


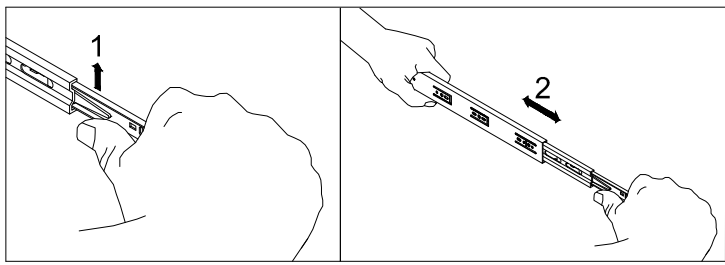
W+H2 x2	N 3x20 x12	X x14	GLUE x1	PW1/2+HO x2	Z x12	ND 3,5x16 x32	R5 x6	ZC x12
B x16	A 8x32 x16	TA x1	H 6,3x13 x8	C x16	PPW x8	ZZ x8	V 3x13 x36	



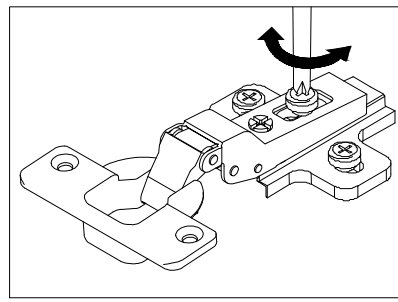
1	675	390	16	x1	2 / 3
2	675	390	16	x1	2 / 3
3	675	357	16	x1	2 / 3
3A	675	357	16	x1	2 / 3
4	1533	390	16	x1	2 / 3
5	1533	390	16	x1	2 / 3
6	668	496	16	x1	3 / 3
7	668	496	16	x1	3 / 3
8	164	496	12	x4	3 / 3
9	347	454	3	x4	3 / 3
10L	350	100	12	x4	2 / 3
10R	350	100	12	x4	2 / 3
11	445	100	12	x4	2 / 3
12A	687	502	3	x1	3 / 3
12B	687	502	3	x1	3 / 3
12C	687	505	3	x1	3 / 3
13	492	357	16	x1	3 / 3
13A	480	357	16	x1	3 / 3



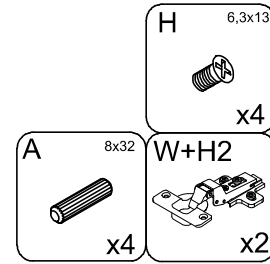
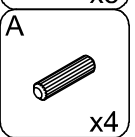
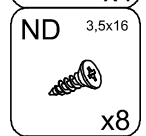
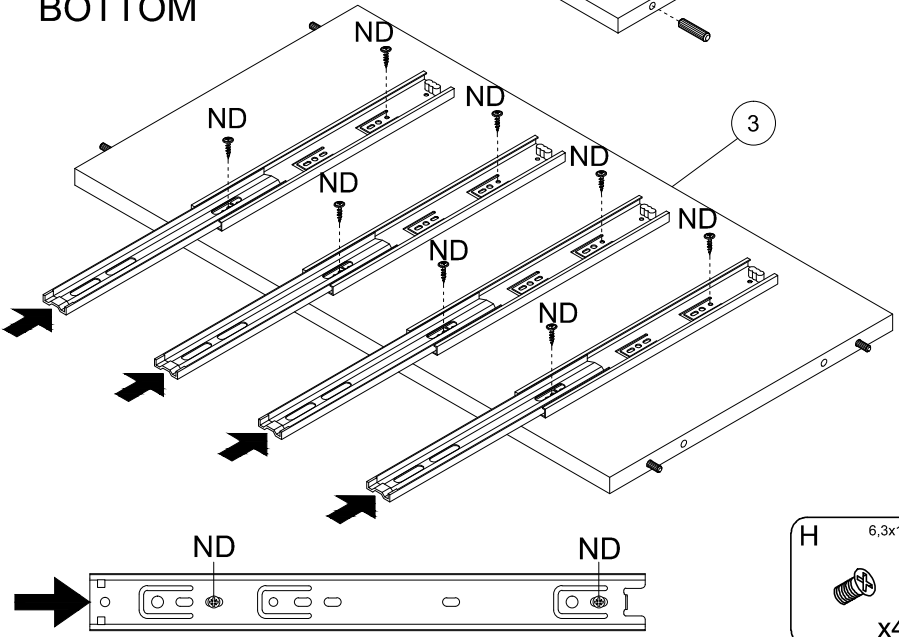
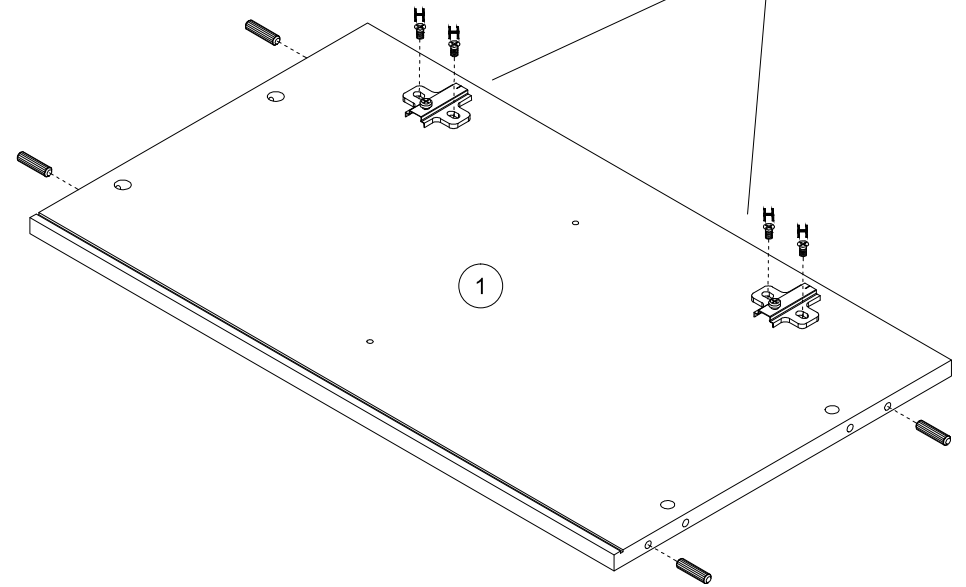
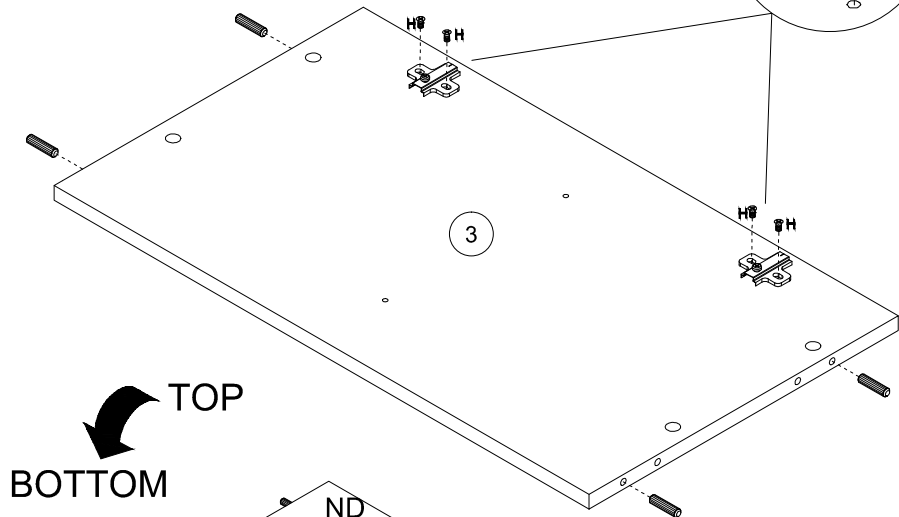
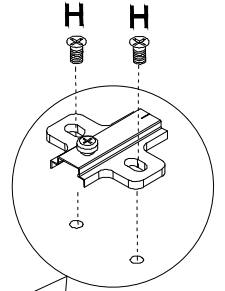
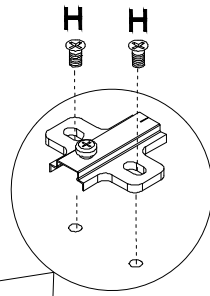
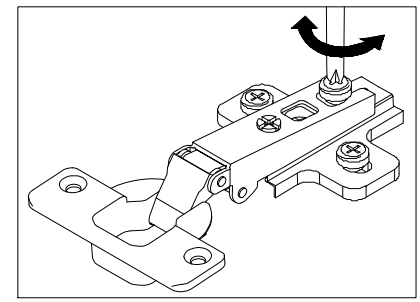
V	3x13	R5
	x2	
W+H2	ND	3,5x16
	x2	
		x4



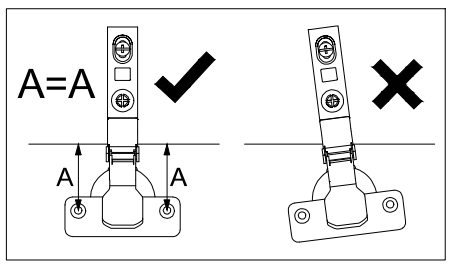
2



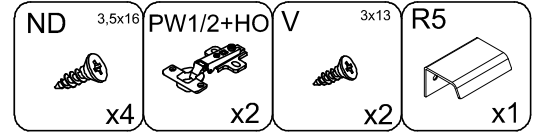
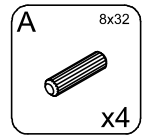
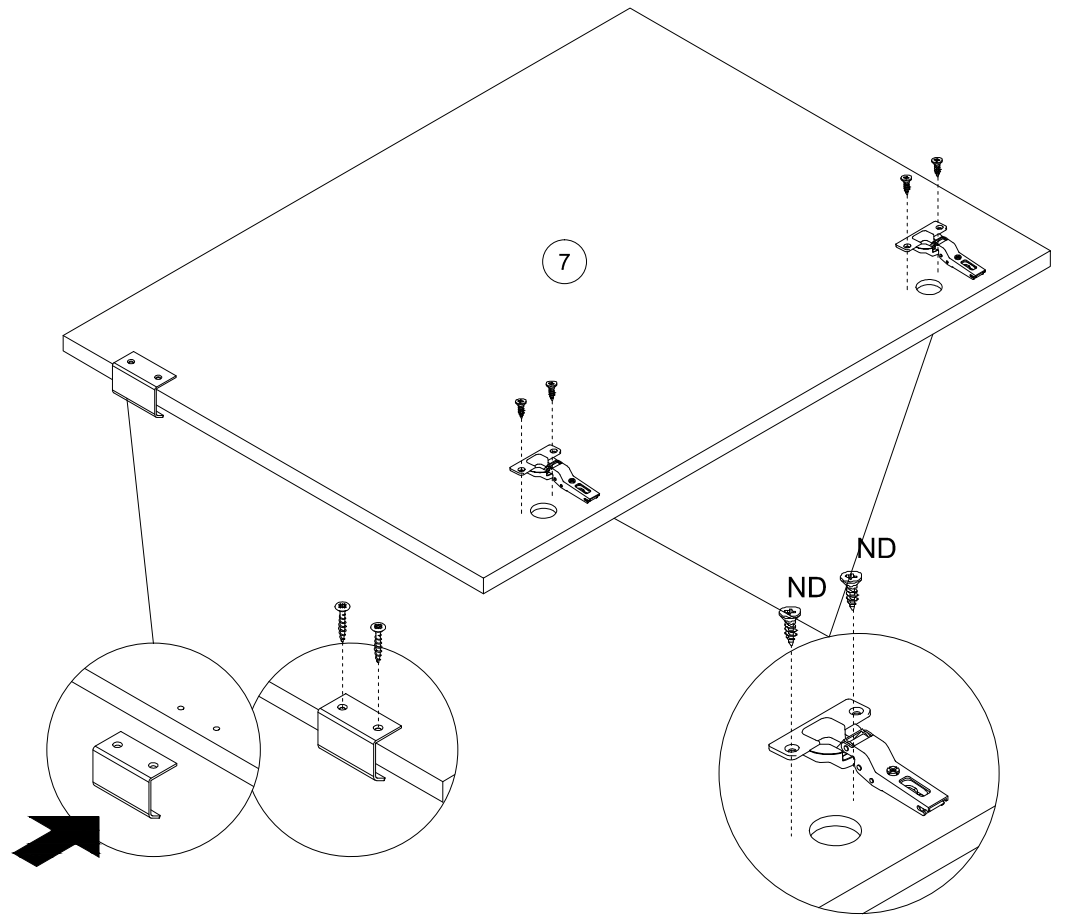
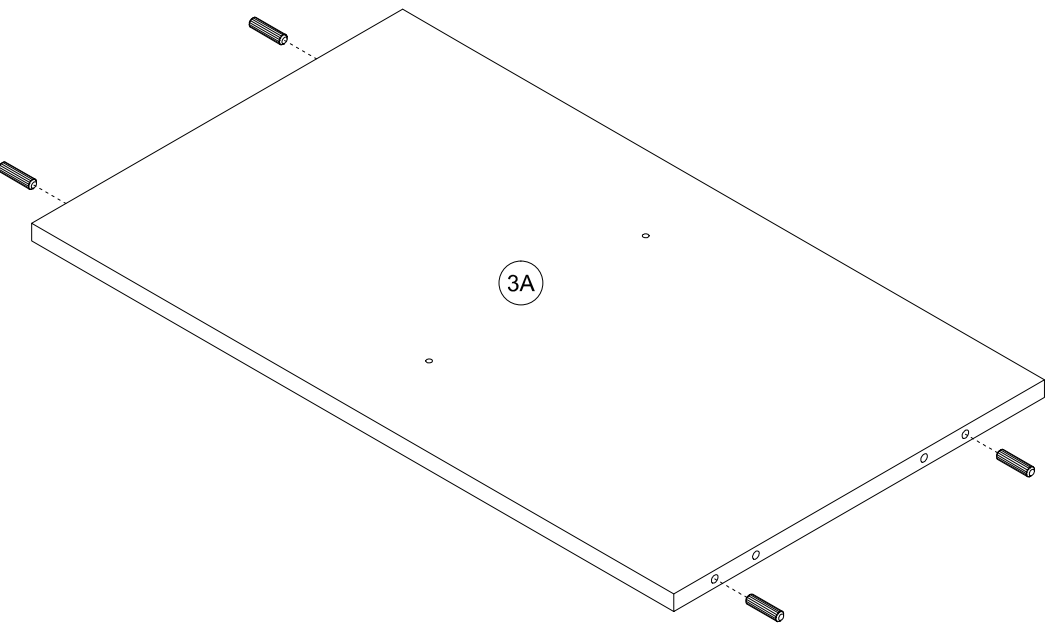
3

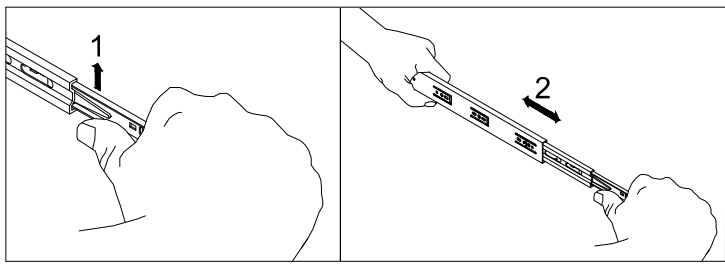


4

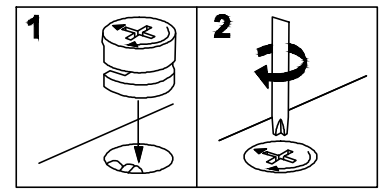
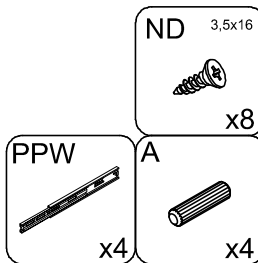
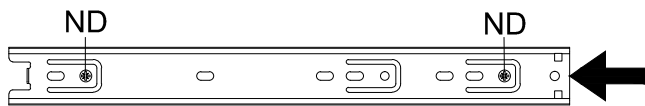
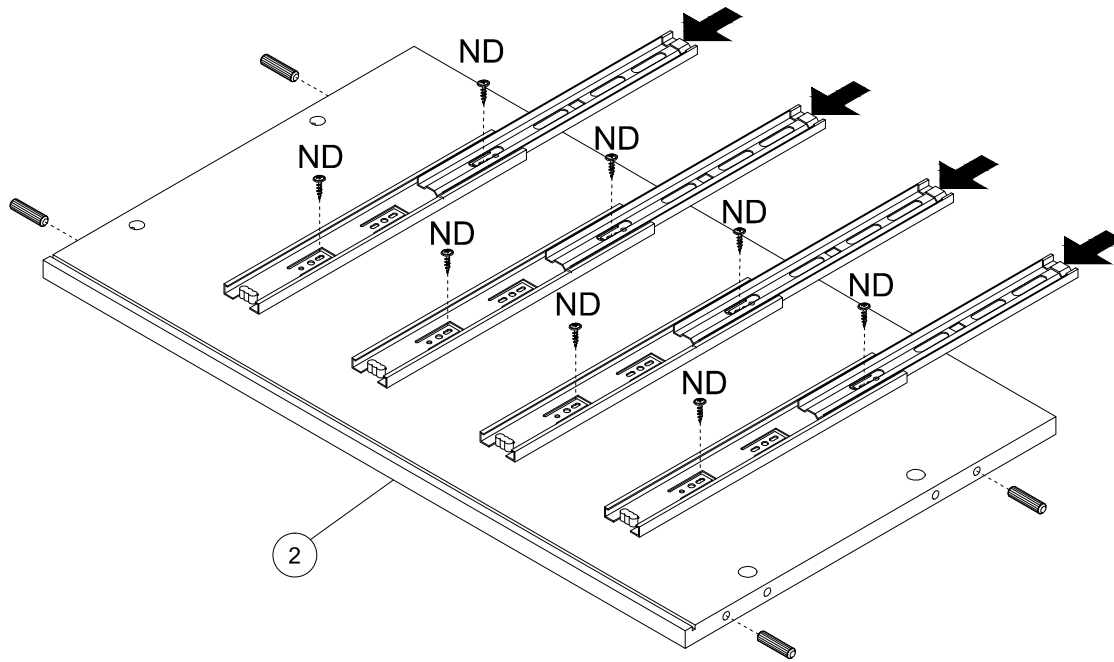


5

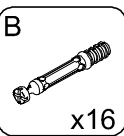
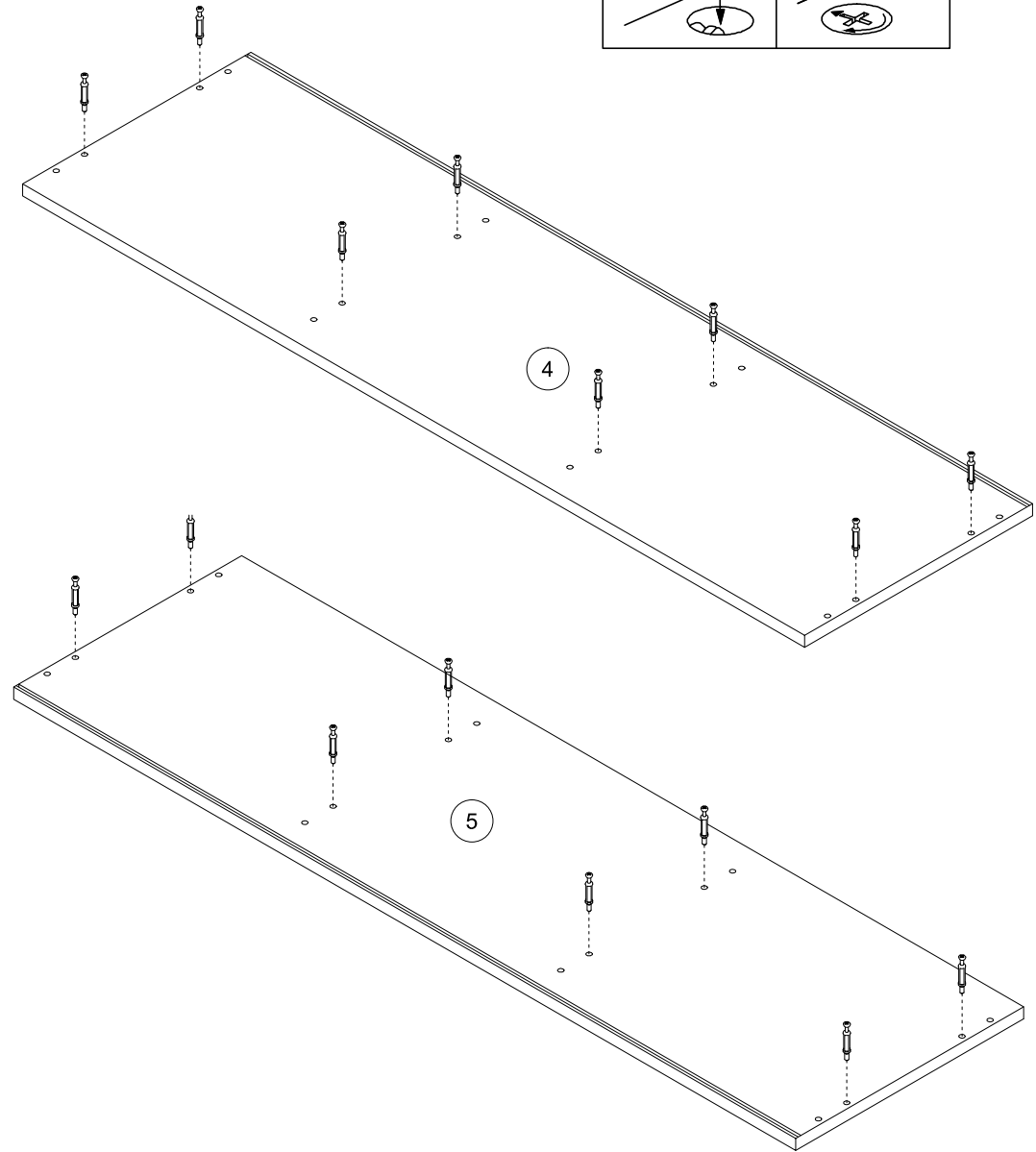


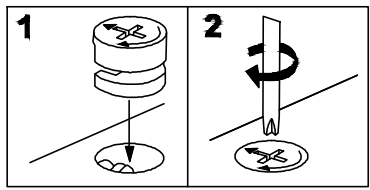


6

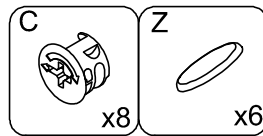
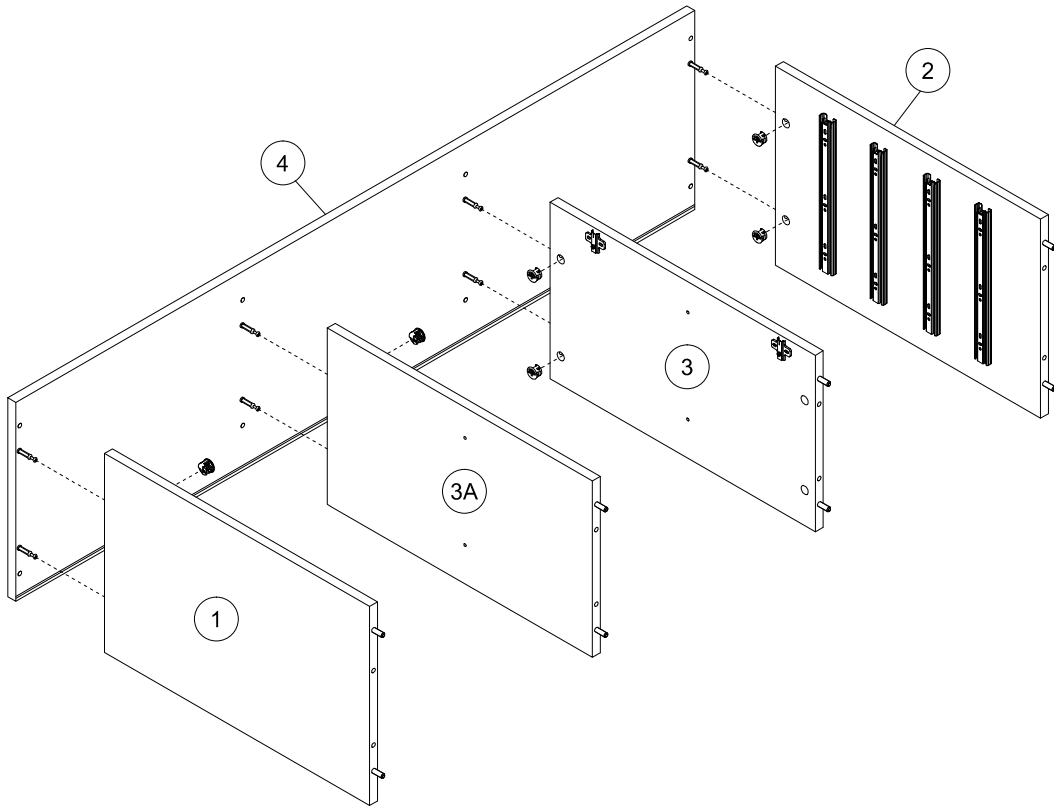


7

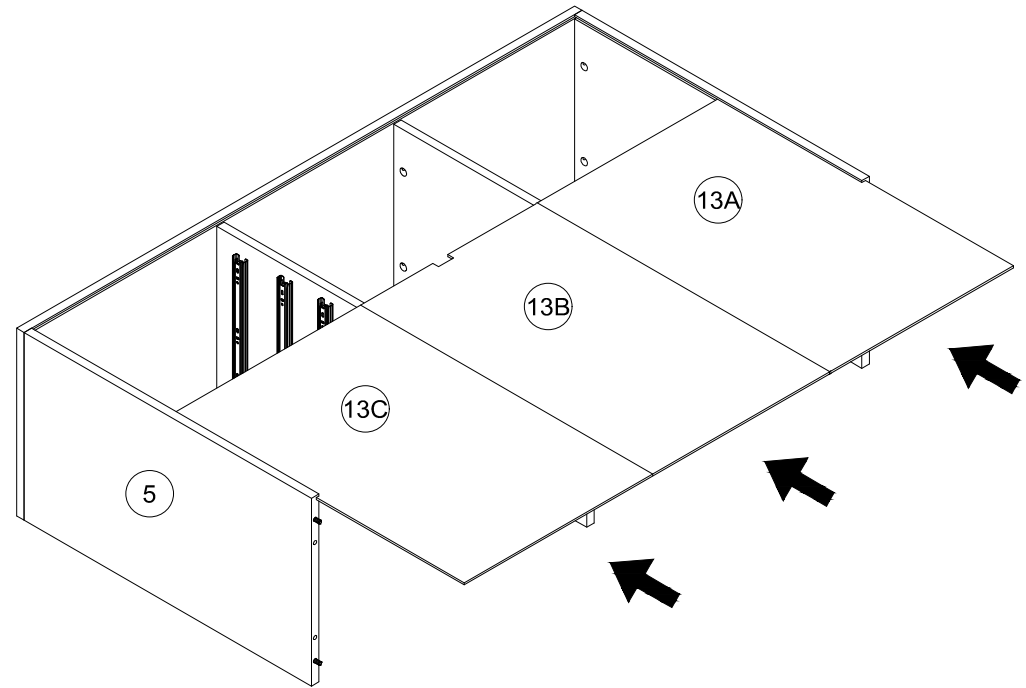


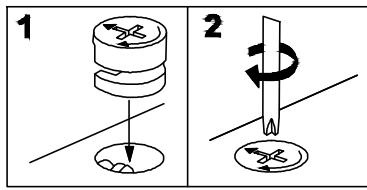
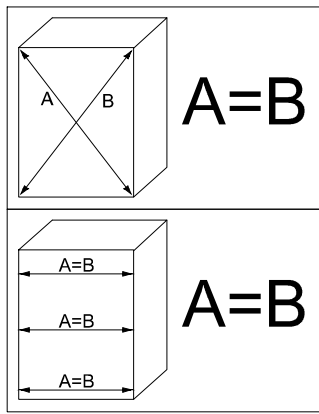


8

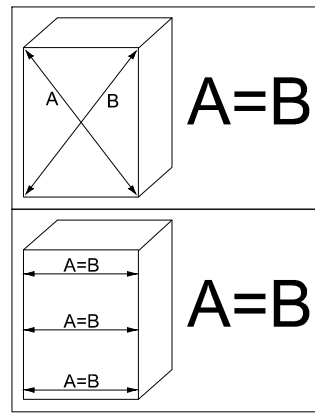


9

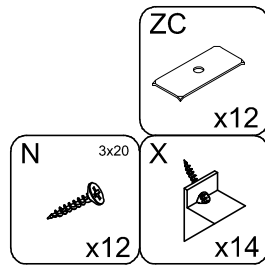
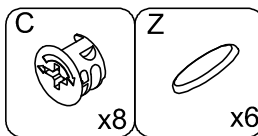
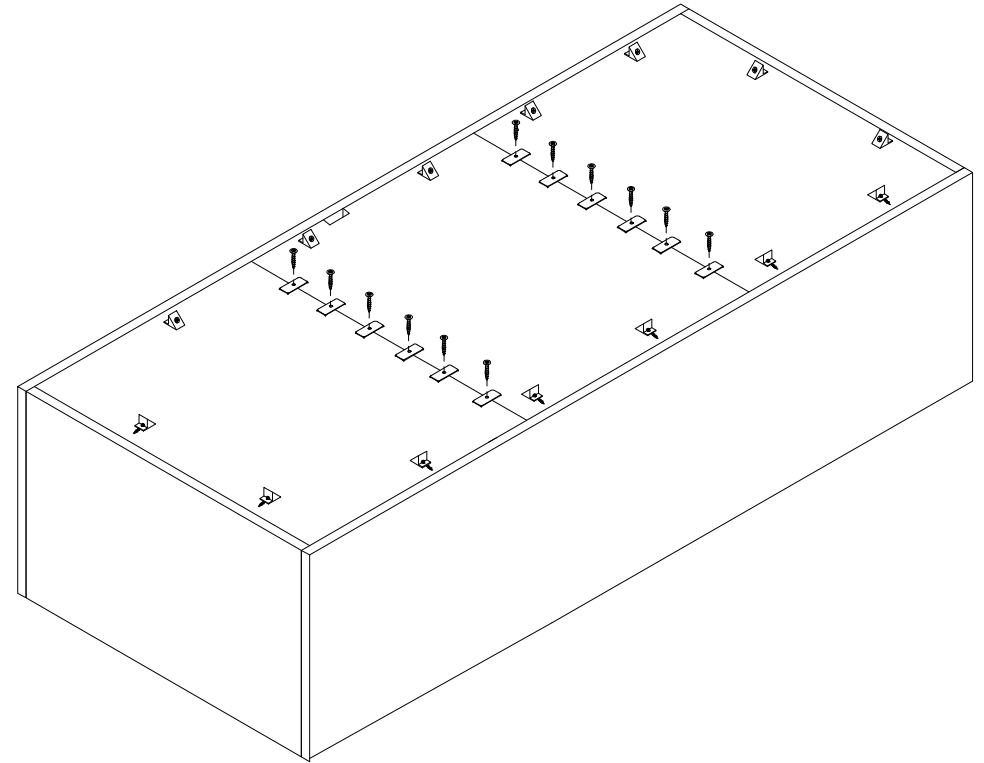
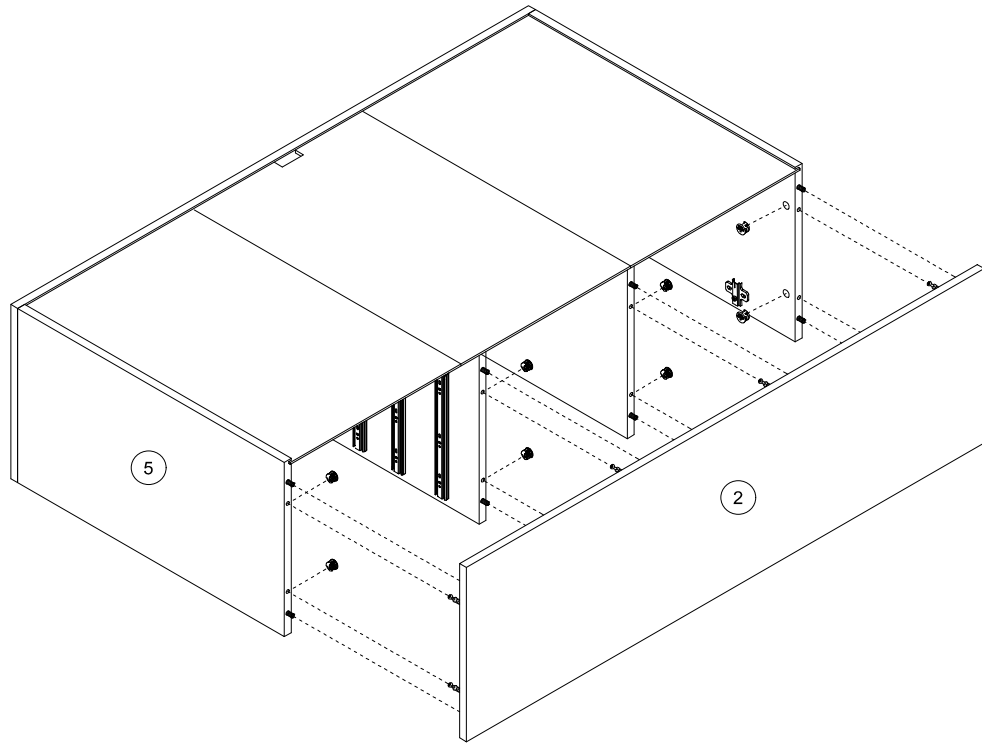


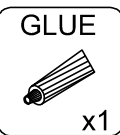
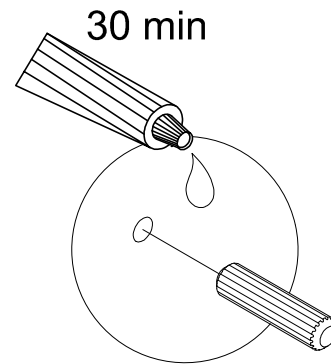
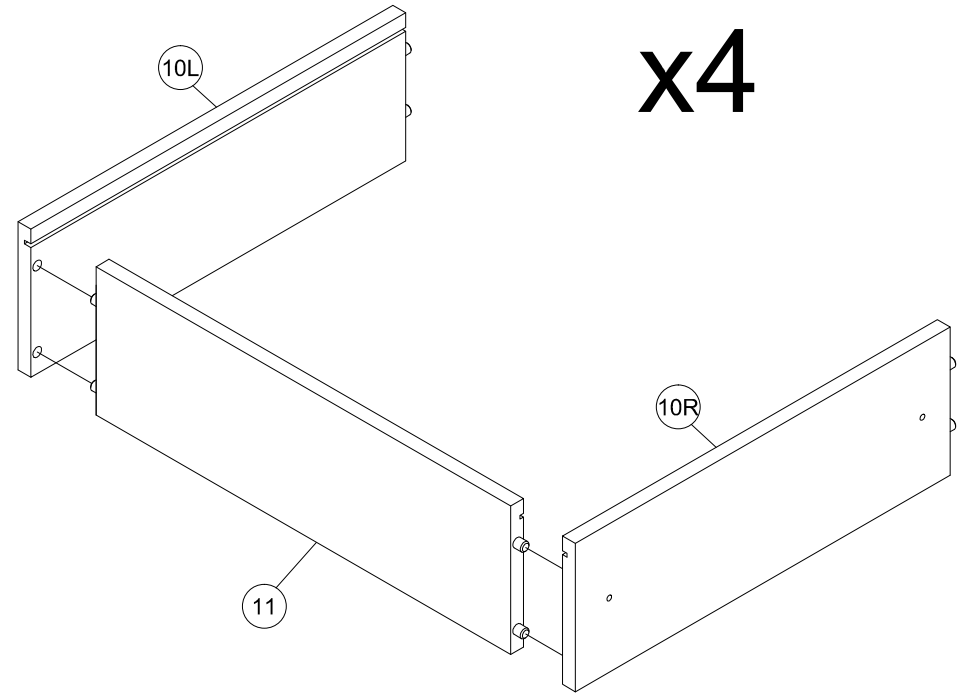
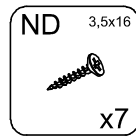
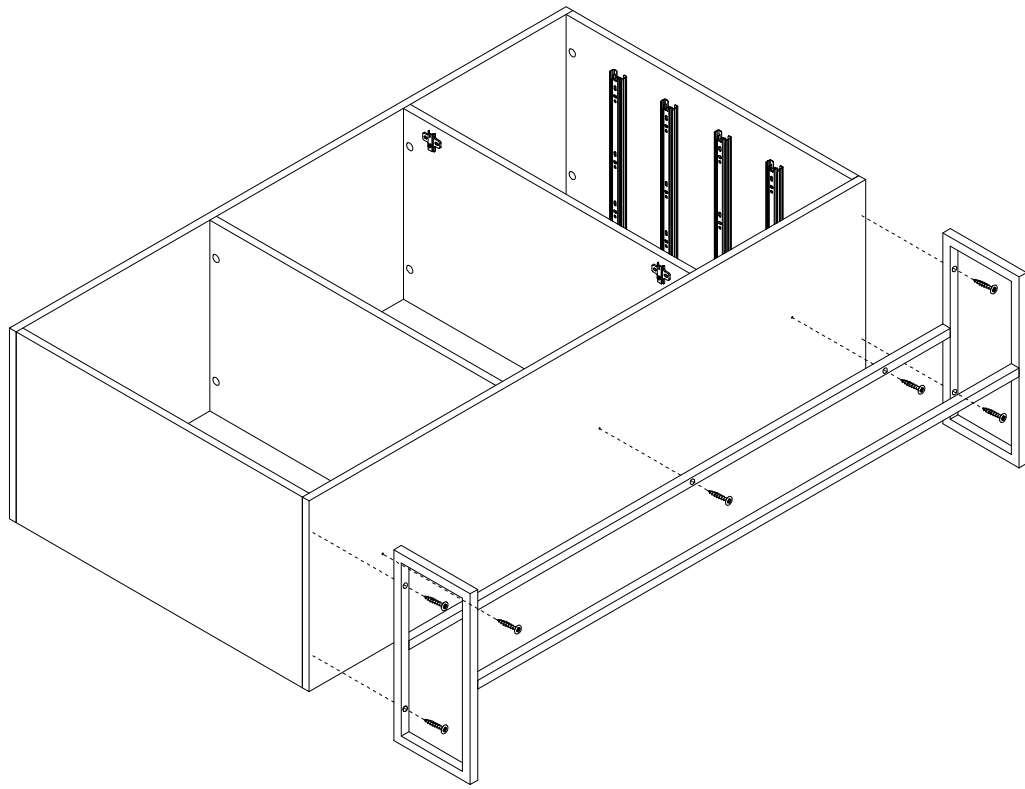


10

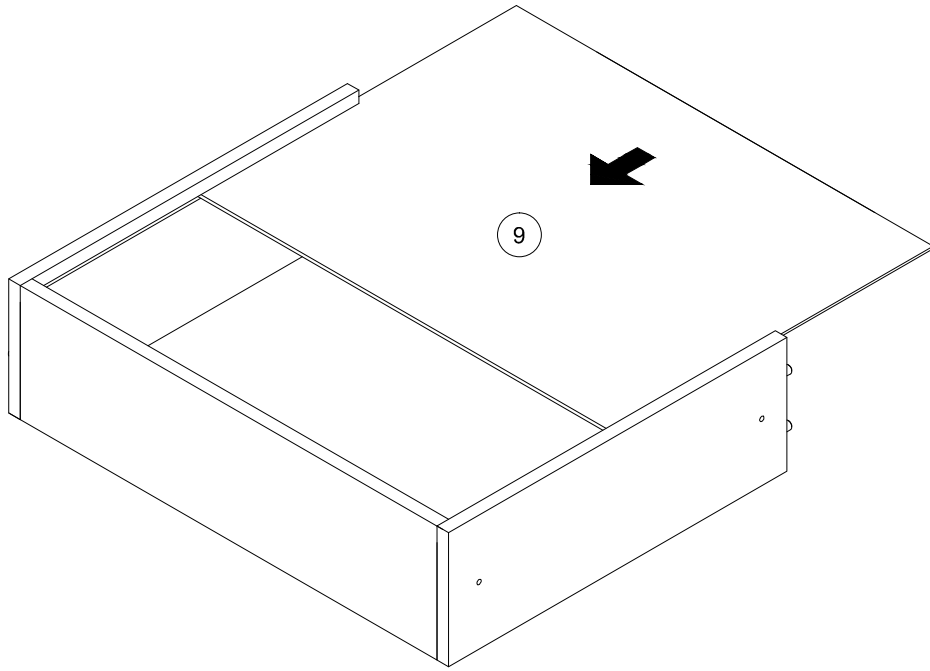


11





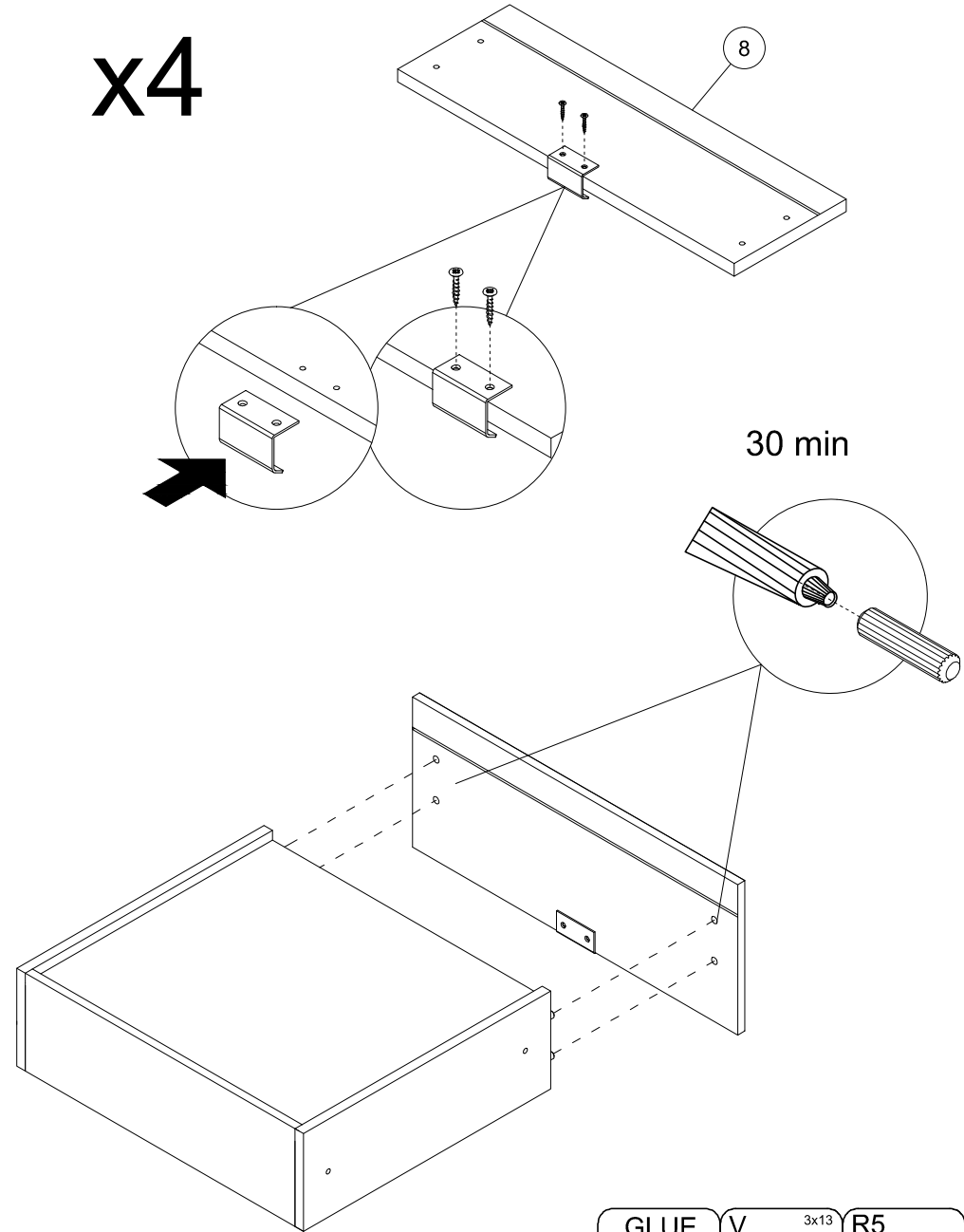
14






x4

15

x4



GLUE  x1	V 3x13  x8	R5  x4
---	---	---

16

17

x4

