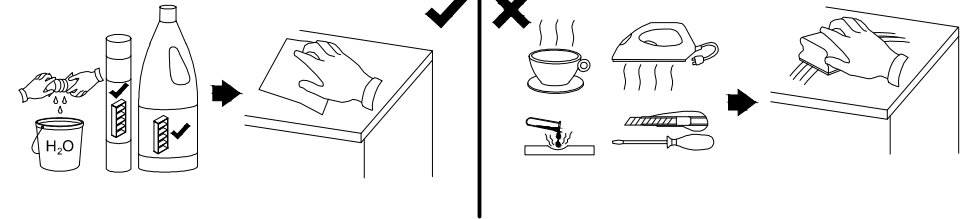
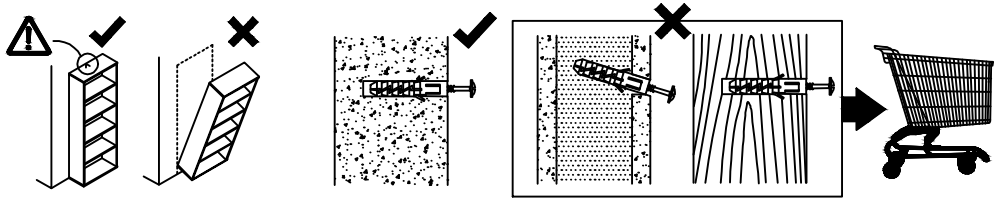
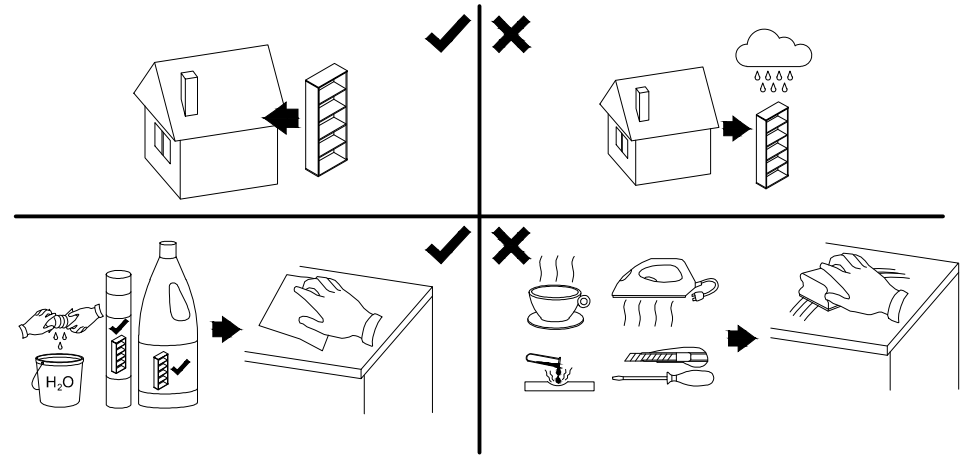
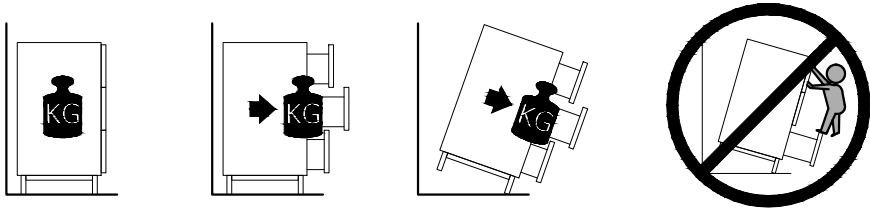


A	8x32	B	B1	C
x12	x20	x4	x28	
KG	N	ND	NF	NS
x2	3x20	3,5x16	4,5x16	3,5x13
x22	x13	x20	x4	
TA	W+H2	X	ZC	Z
x1	x6	x14	x16	x12

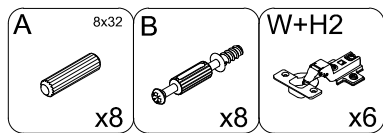
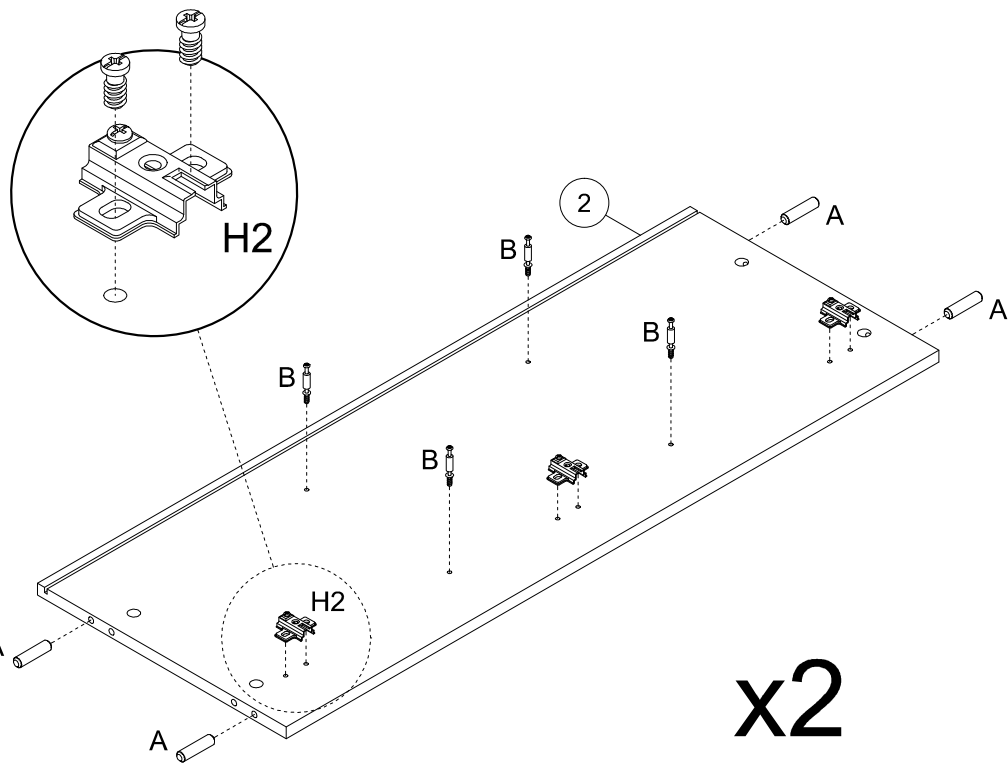
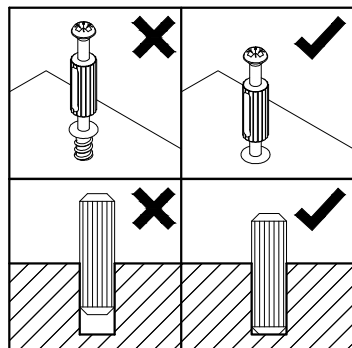
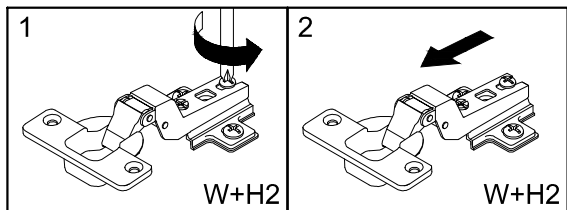
  

1	1035	390	16	x2	2 / 3
2	1023	390	16	x2	2 / 3
3	1023	341	16	x1	3 / 3
4	493	341	16	x4	3 / 3
5	1017	496	16	x1	3 / 3
6	1017	496	16	x1	3 / 3
7	1014	345	2.5	x2	2 / 3
8	1014	345	2.5	x1	2 / 3

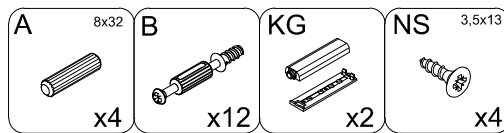
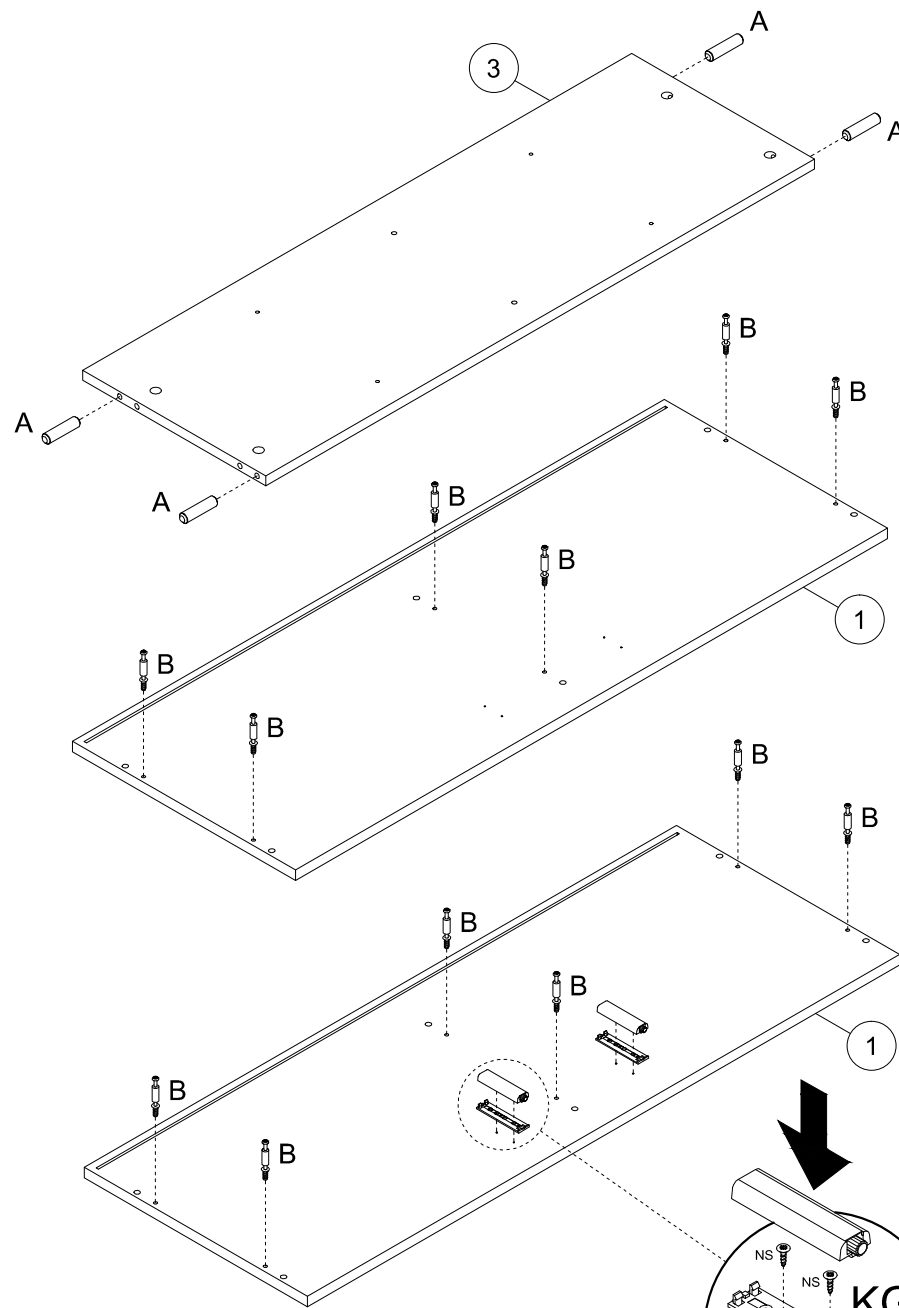
max. KG = 25 kg.

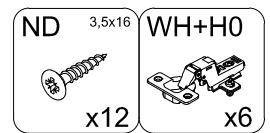
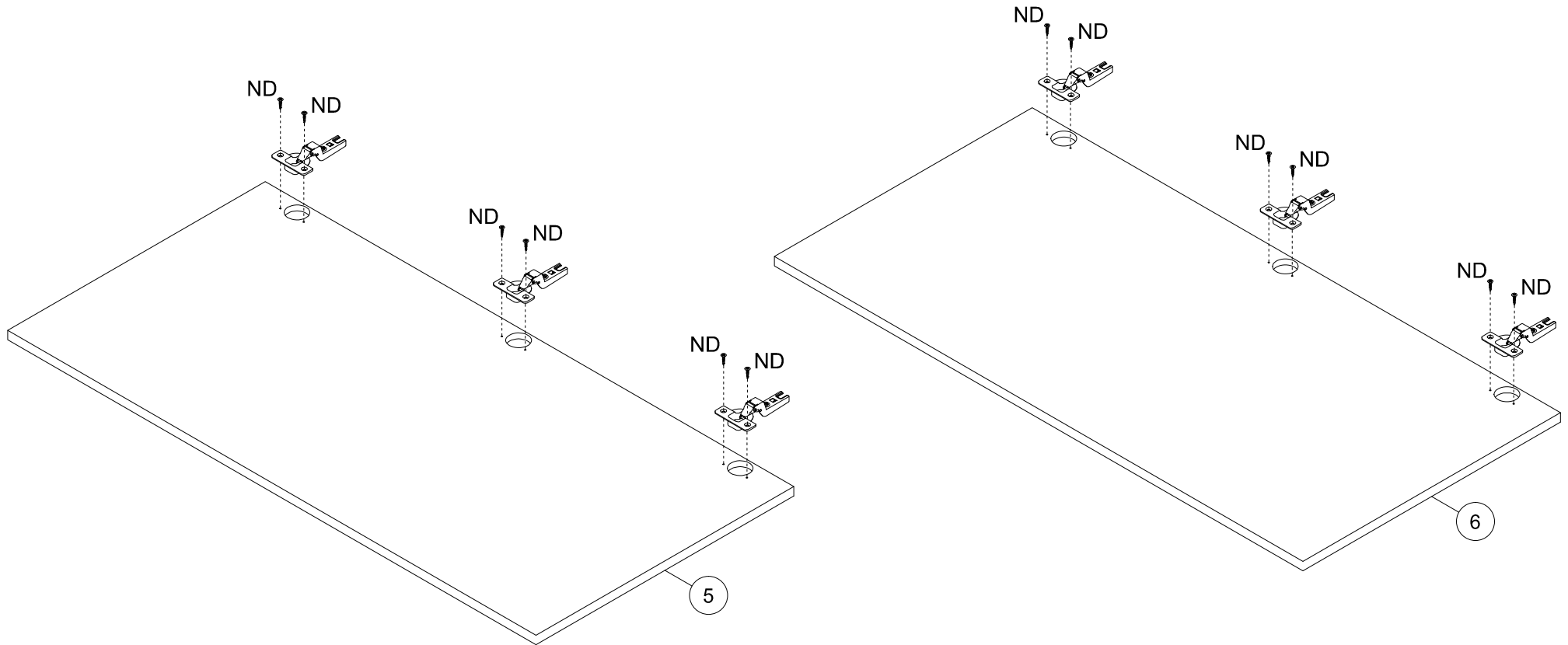
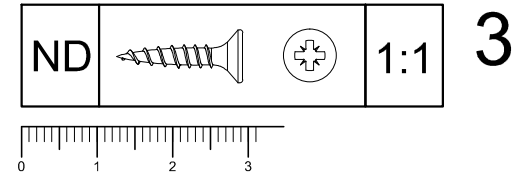
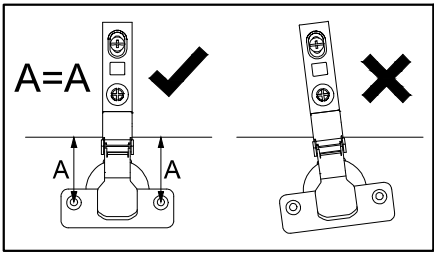


1

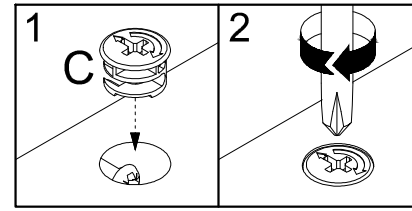
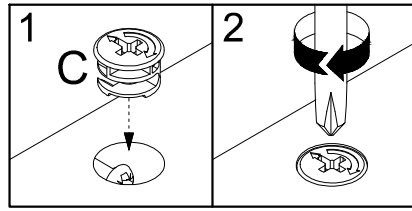


2

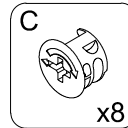
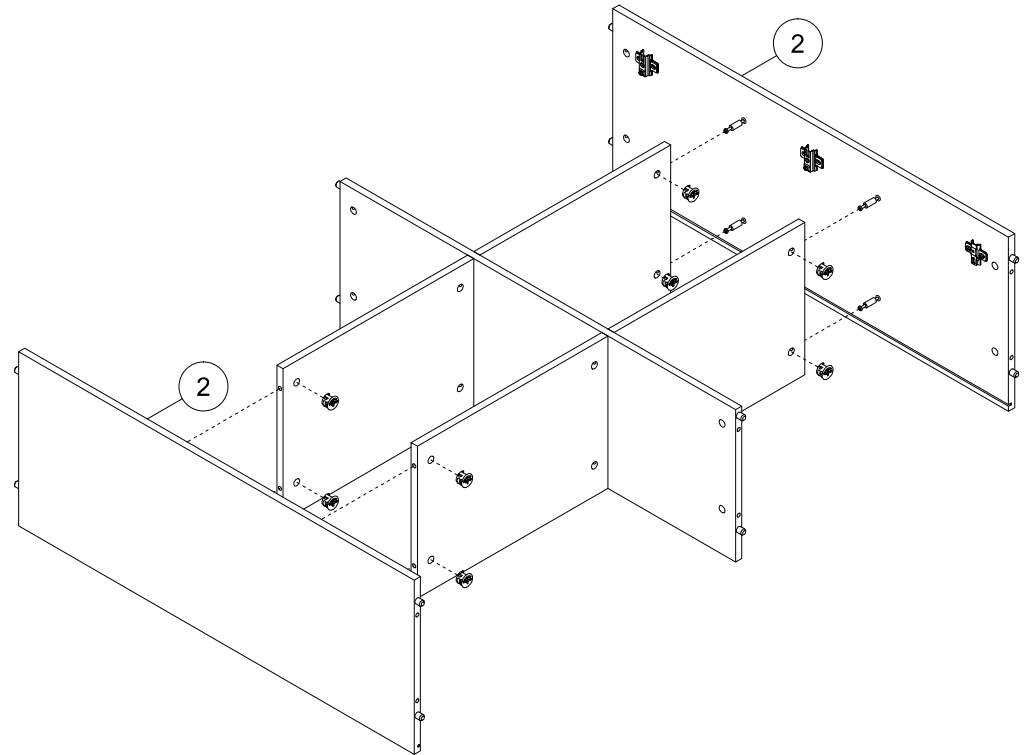
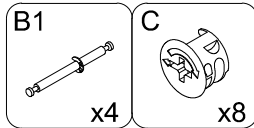
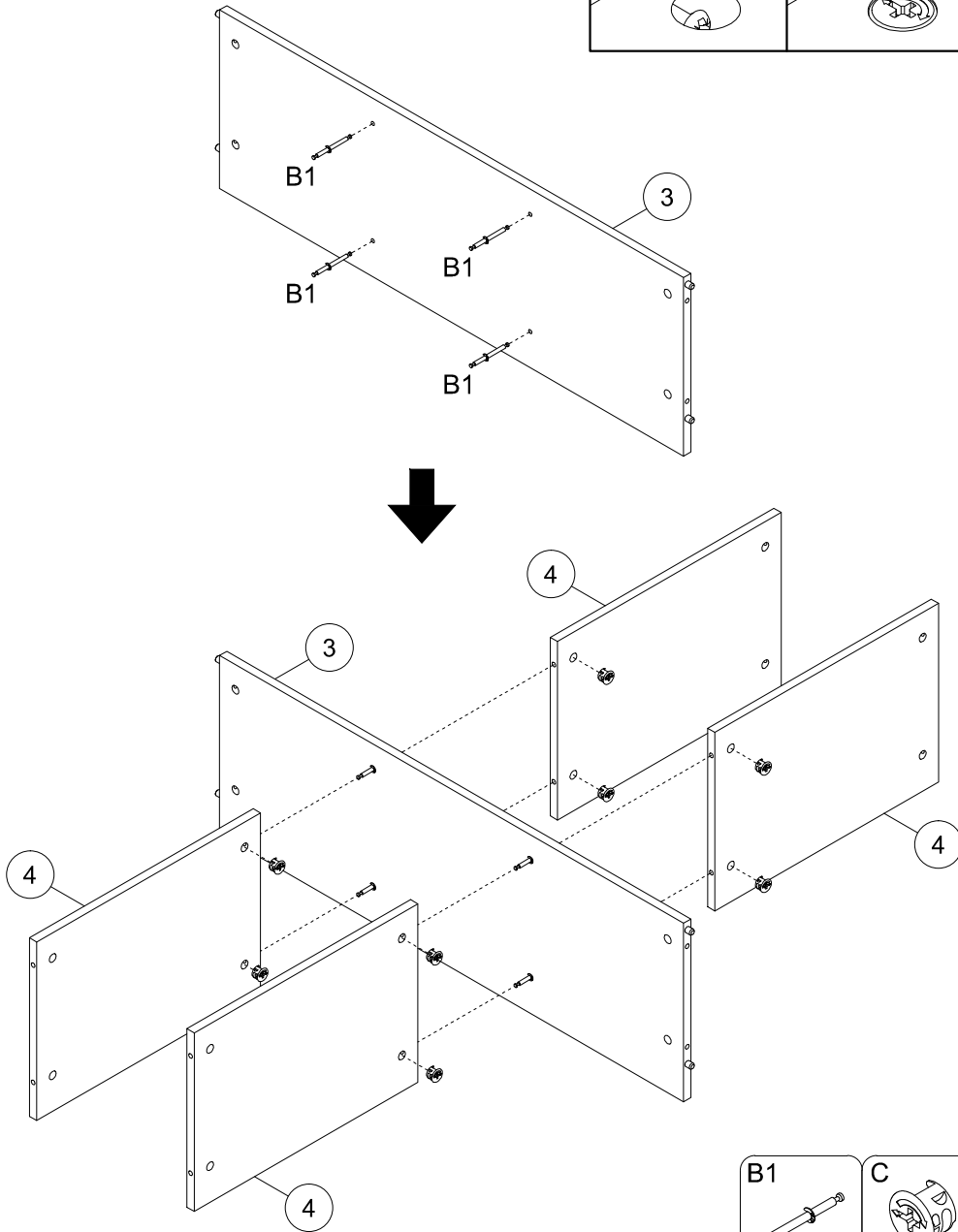




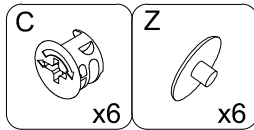
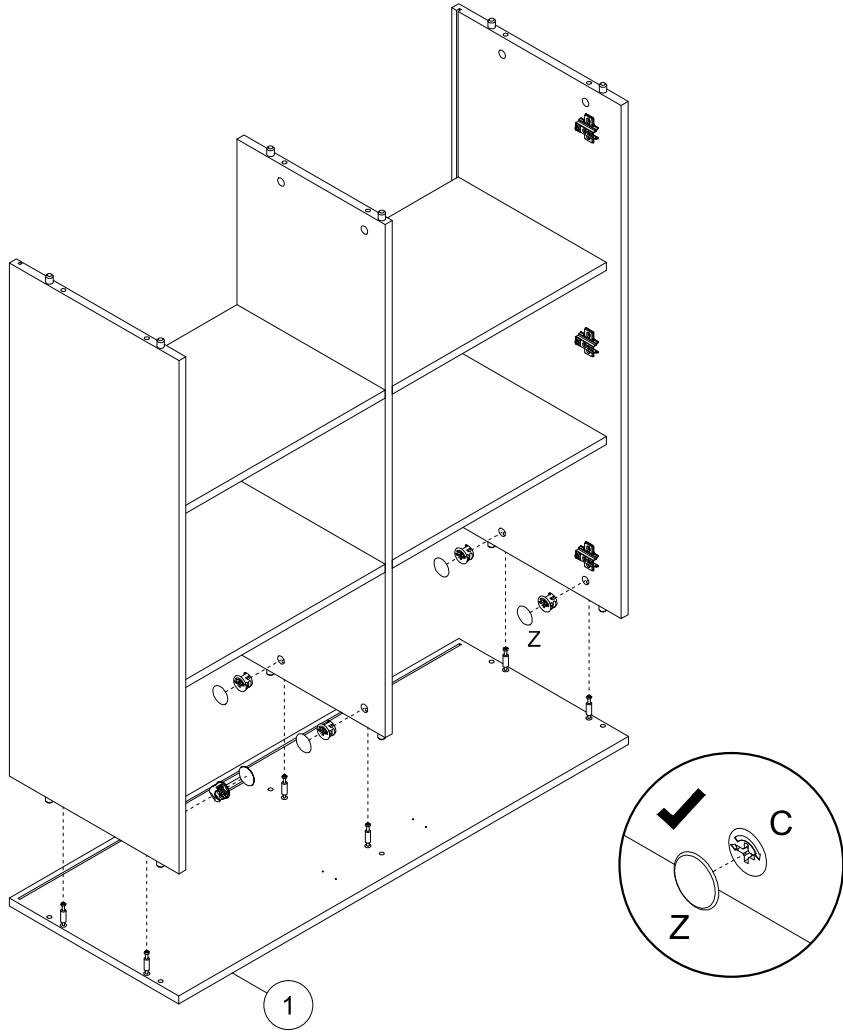
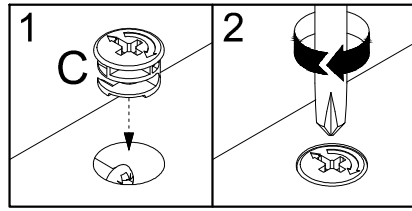
4



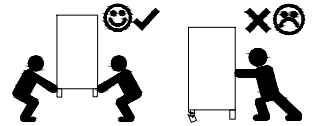
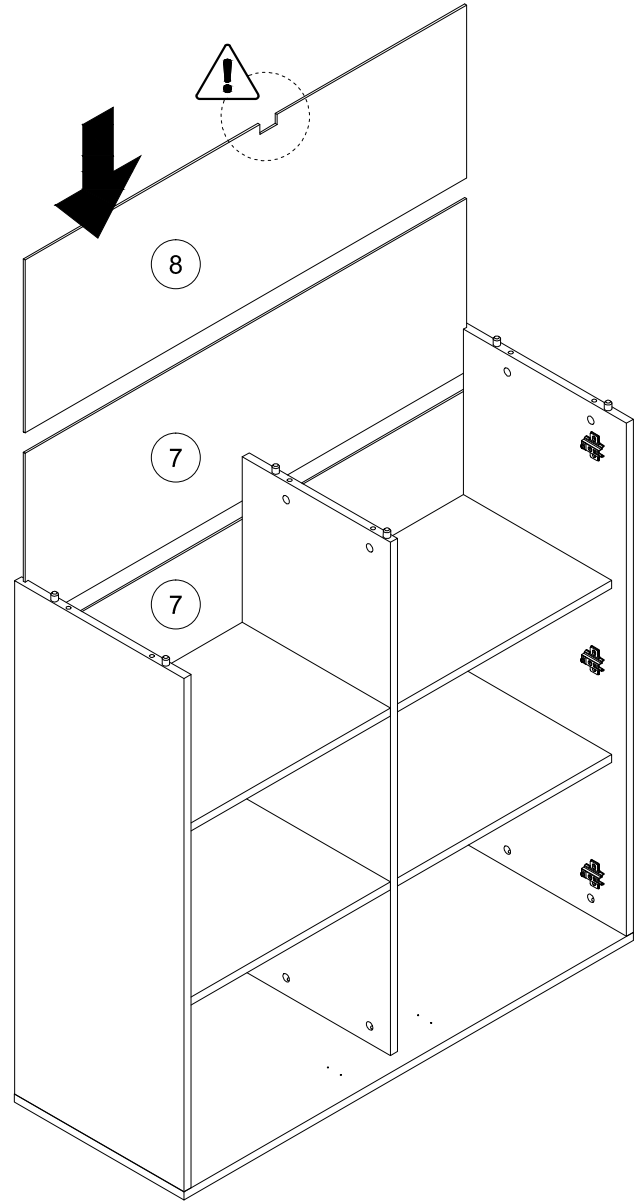
5



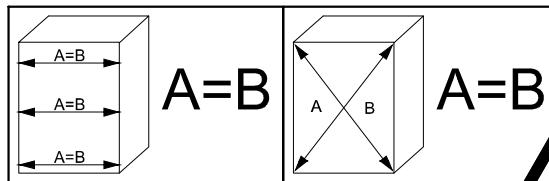
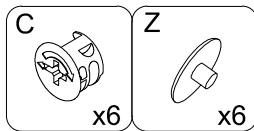
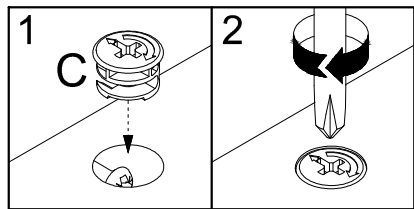
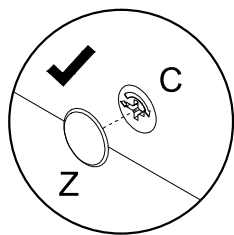
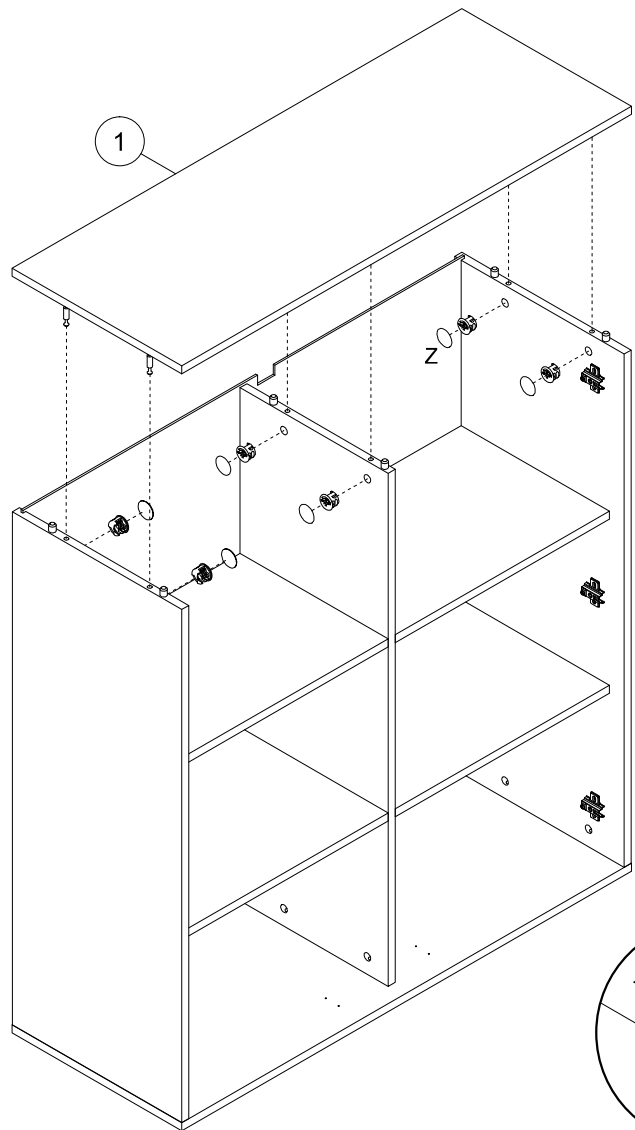
6



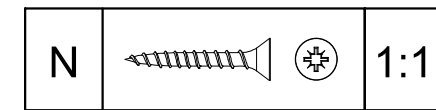
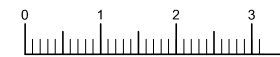
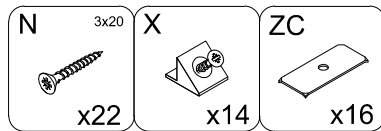
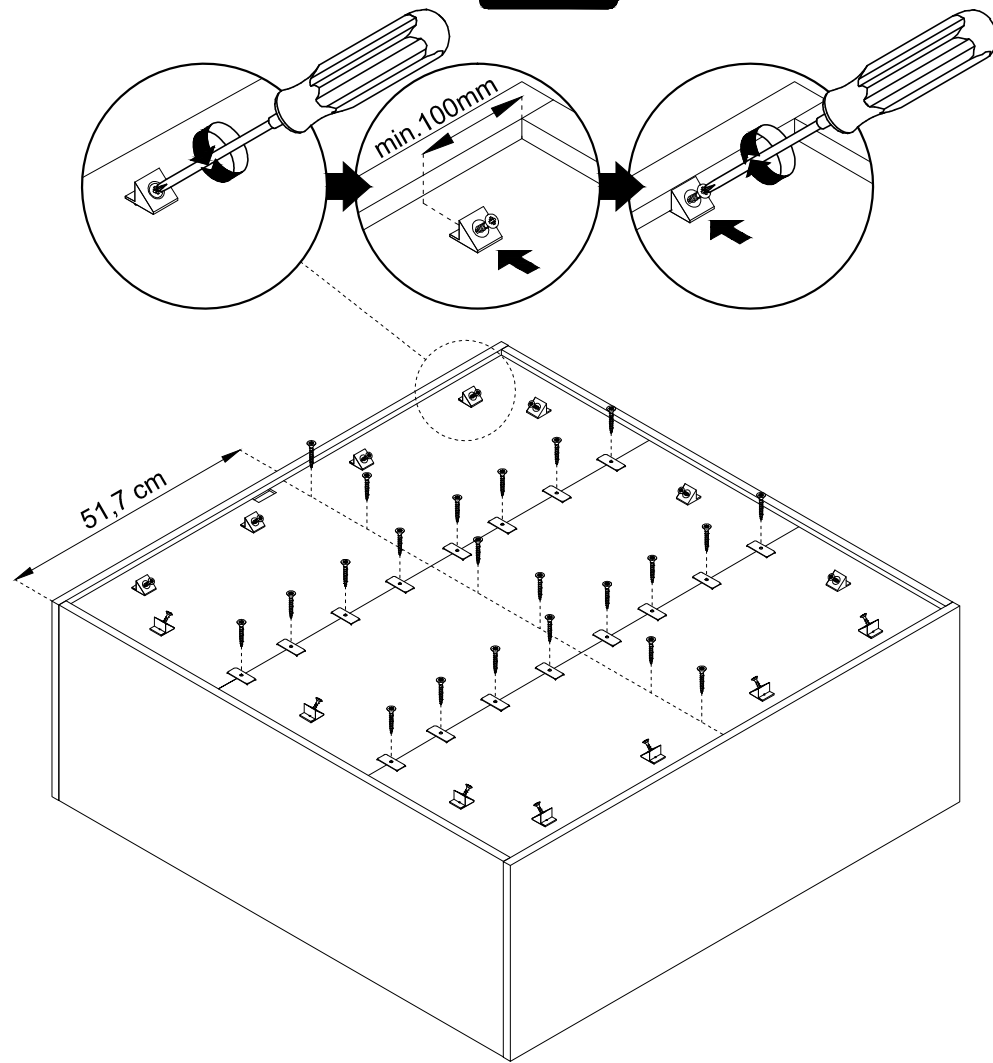
7



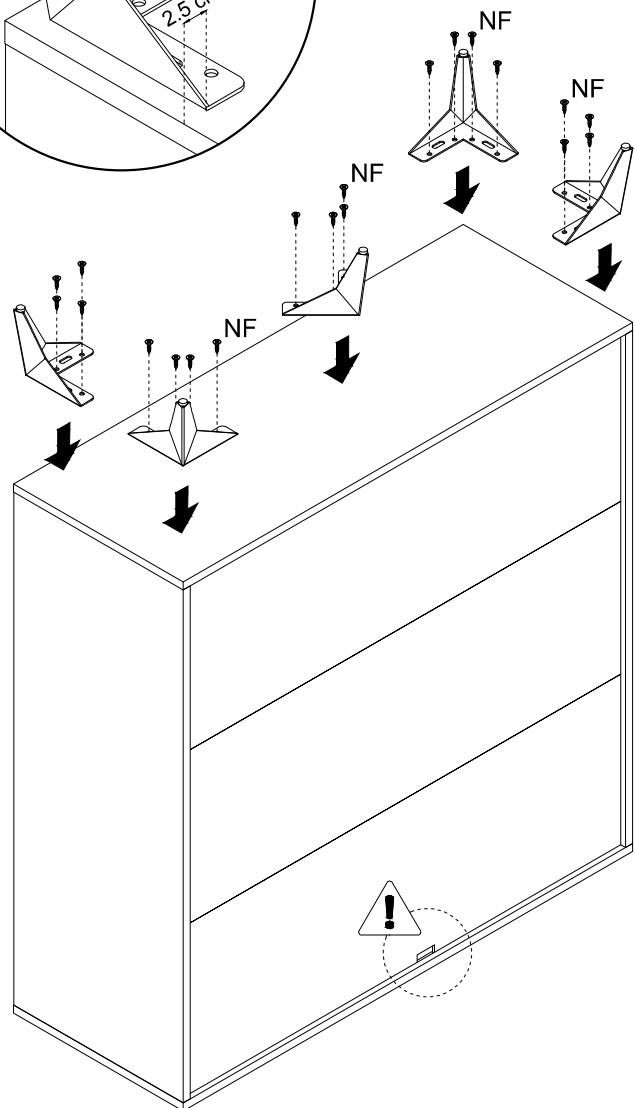
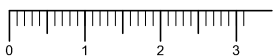
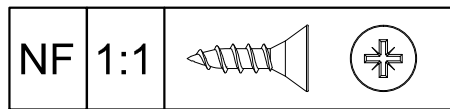
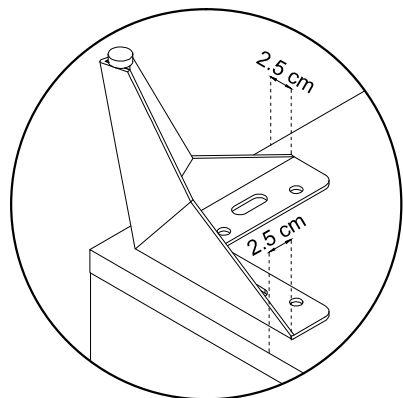
8



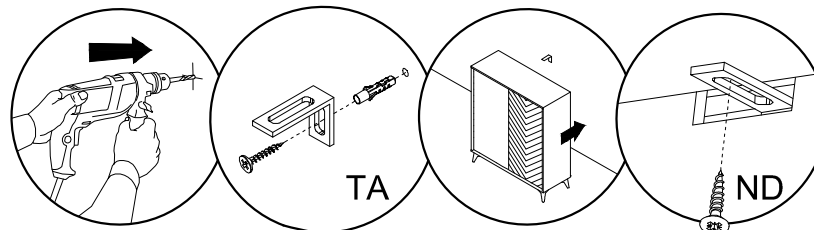
9



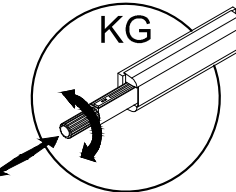
10



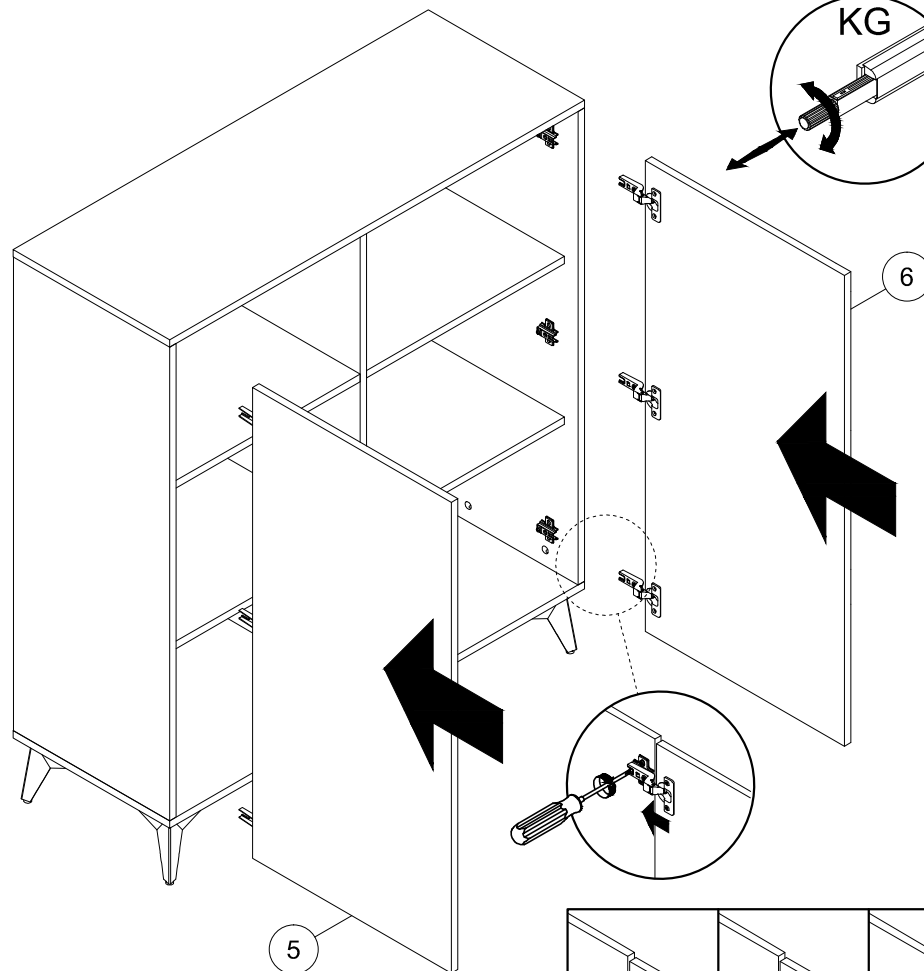
11



TA



KG



5

6

