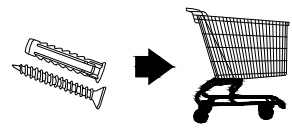
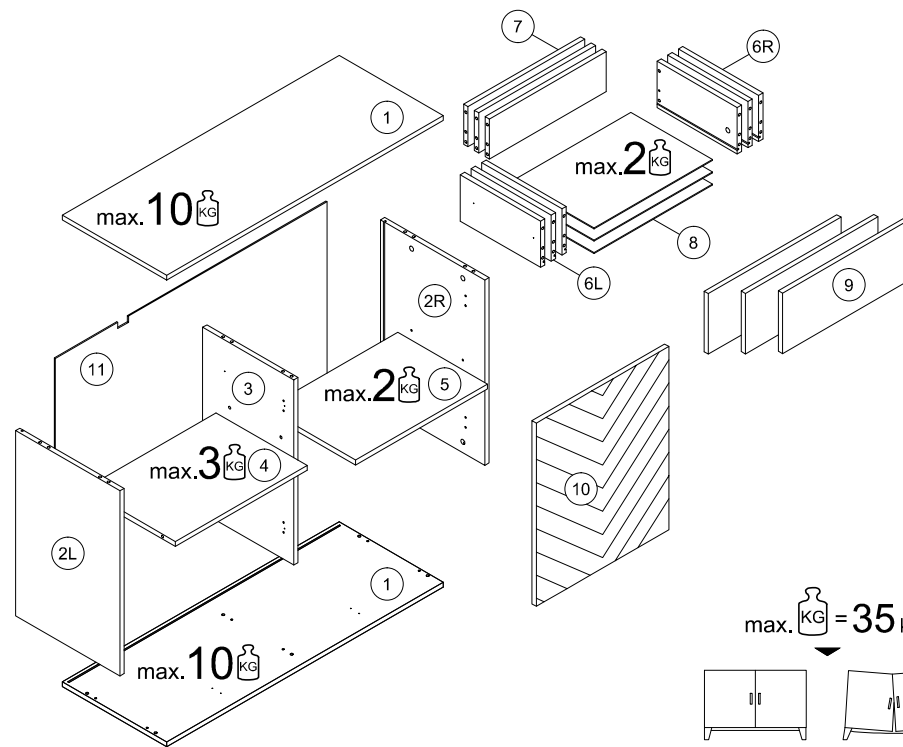
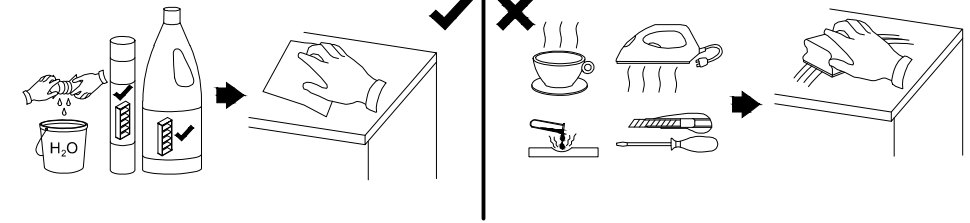
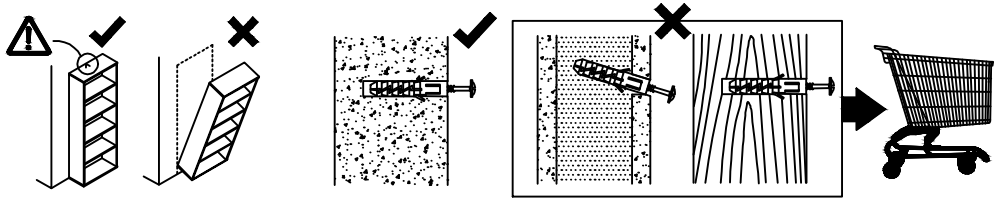
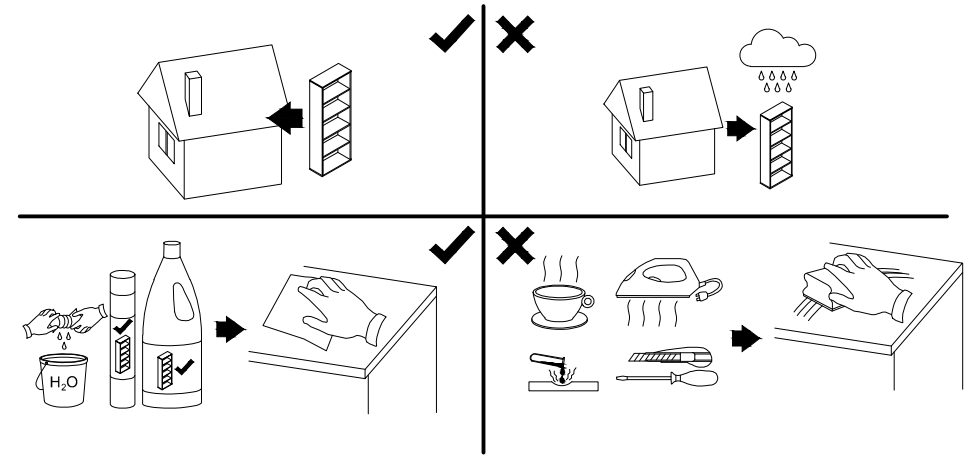
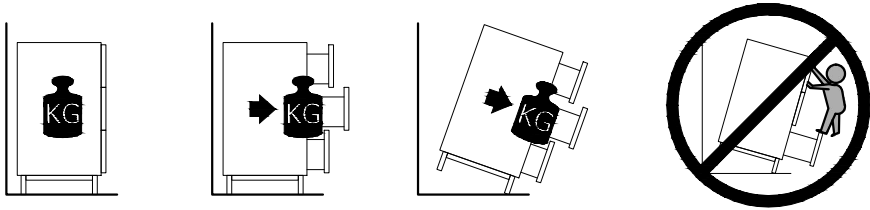


ca. 1,5H

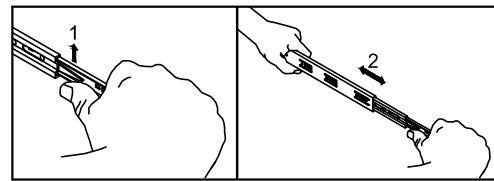
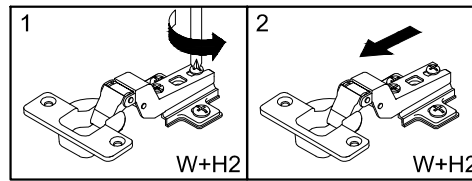
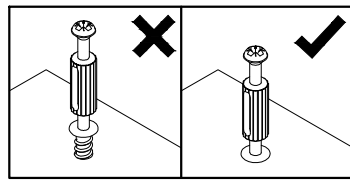
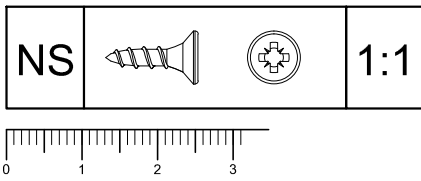


A	8x32	B	3,5x16	C	3,5x13	KG	4,5x16	PPW	300mm
x40	x24	x24	x4	N	3x20	ND	3,5x16	NS	3,5x13
x14	x29	x8	x20	x6	TA	W+H2	X	Z	ZZ
x1	x2	x12	x14	x4					

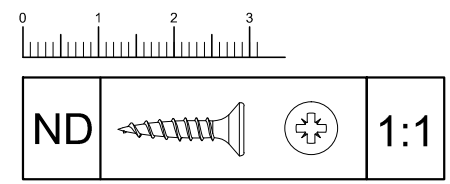
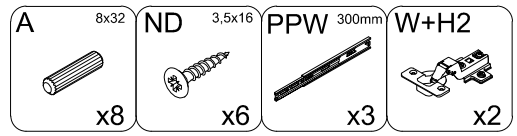
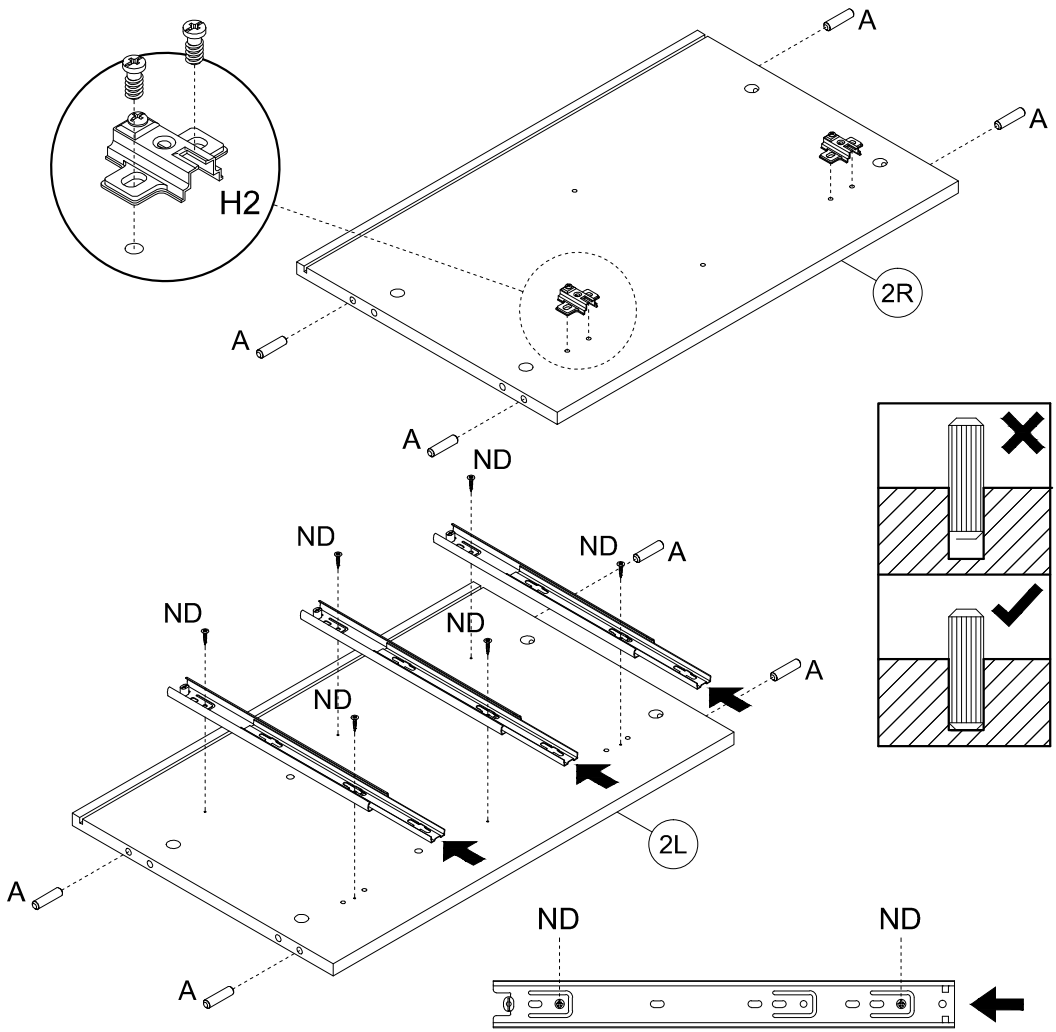
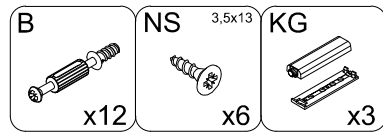
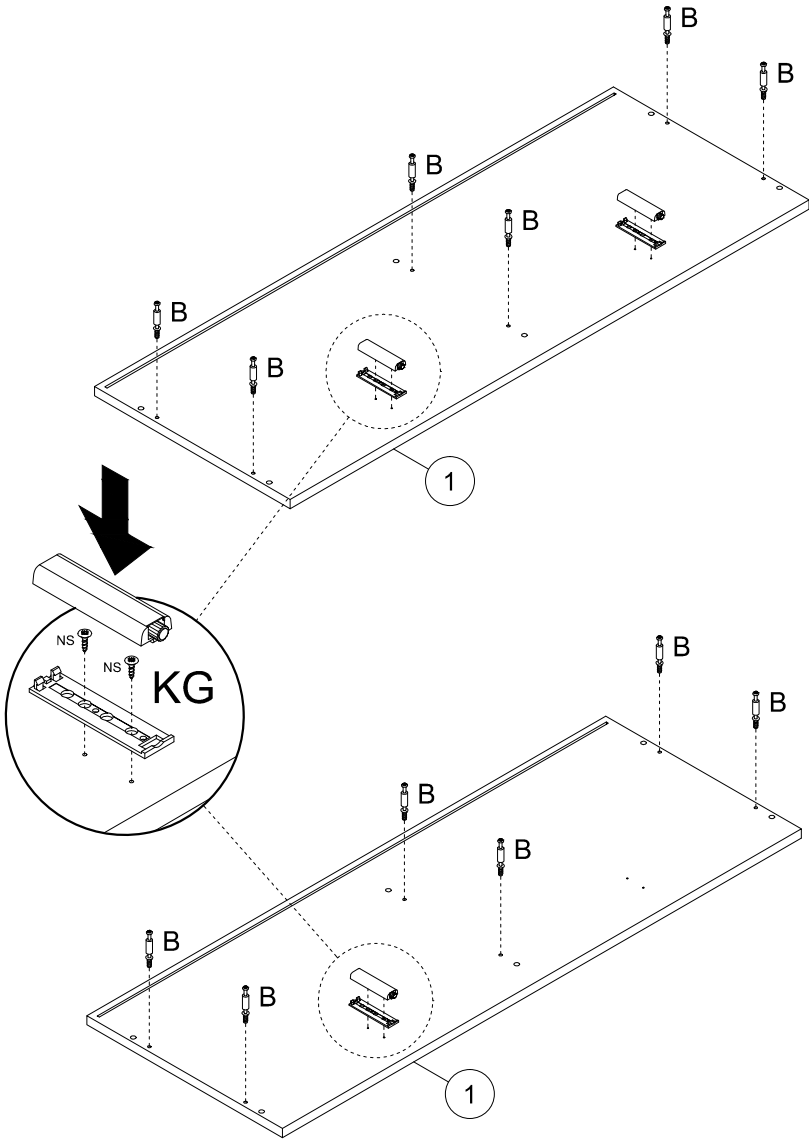
1	1035	390	16	x2	2 / 2
2L	600	390	16	x2	2 / 2
2R	600	390	16	x2	2 / 2
3	600	341	16	x1	2 / 2
4	493	341	16	x1	2 / 2
5	493	335	16	x1	2 / 2
6L	300	150	16	x3	2 / 2
6R	300	150	16	x3	2 / 2
7	437	130	16	x3	2 / 2
8	305	449	2.5	x3	2 / 2
9	496	196	16	x3	2 / 2
10	594	496	16	x1	2 / 2
11	1014	612	2.5	x1	2 / 2



1

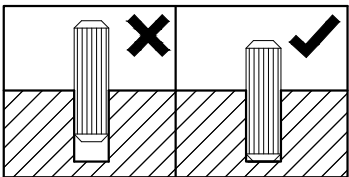
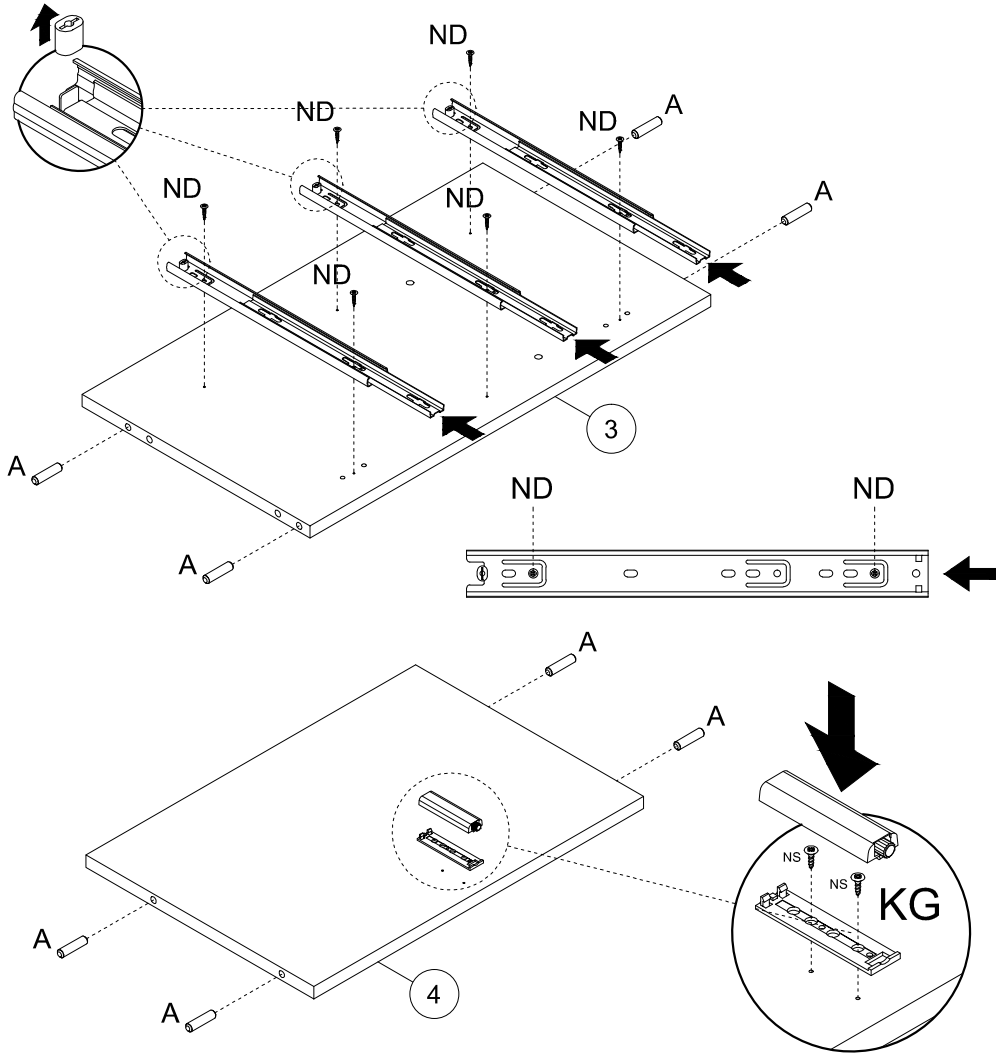
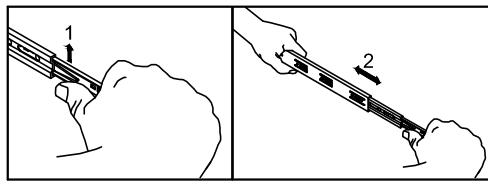
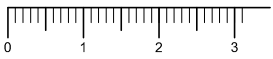


2



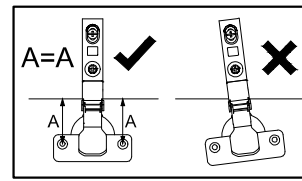
3

NS			1:1
----	--	--	-----

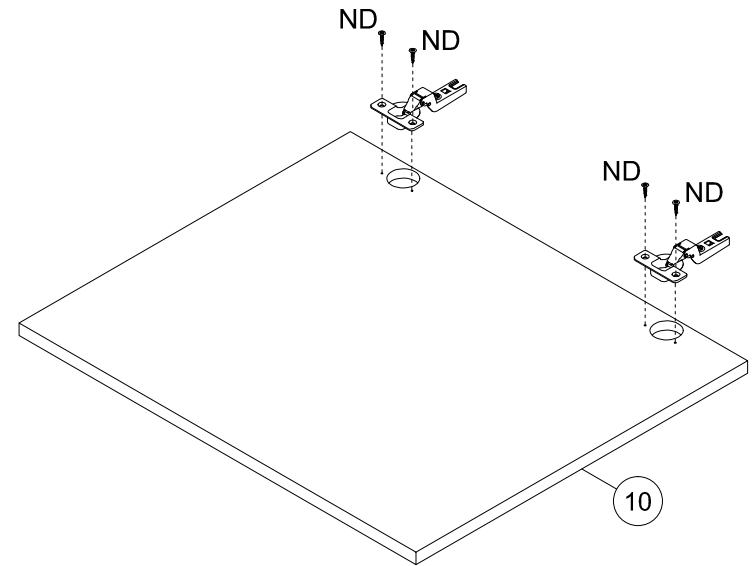
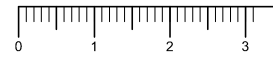


A	8x32	KG	ND	3,5x16	NS	3,5x13	PPW	300mm
	x8			x6		x2		x3

4

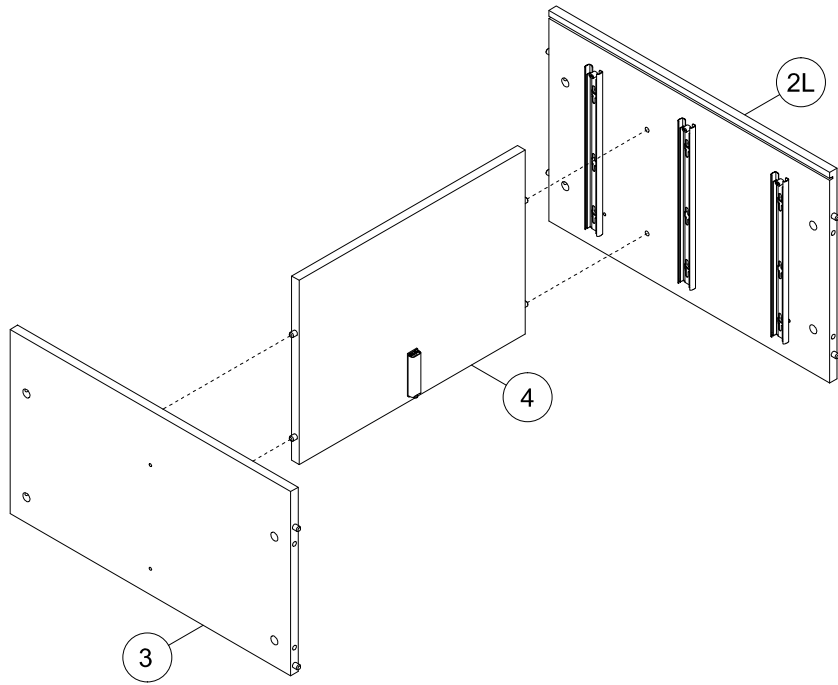


ND			1:1
----	--	--	-----

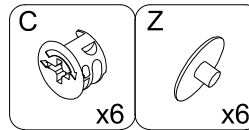
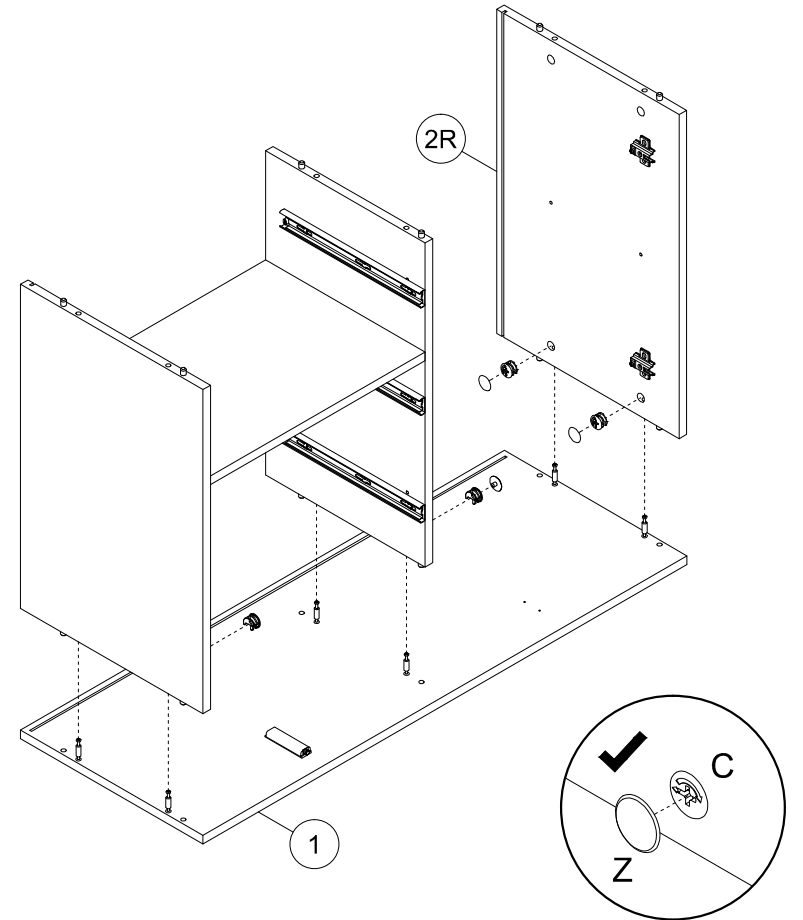
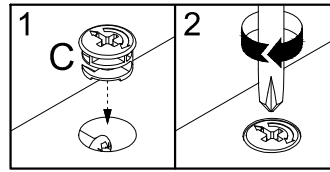


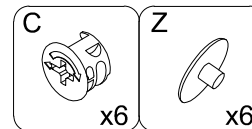
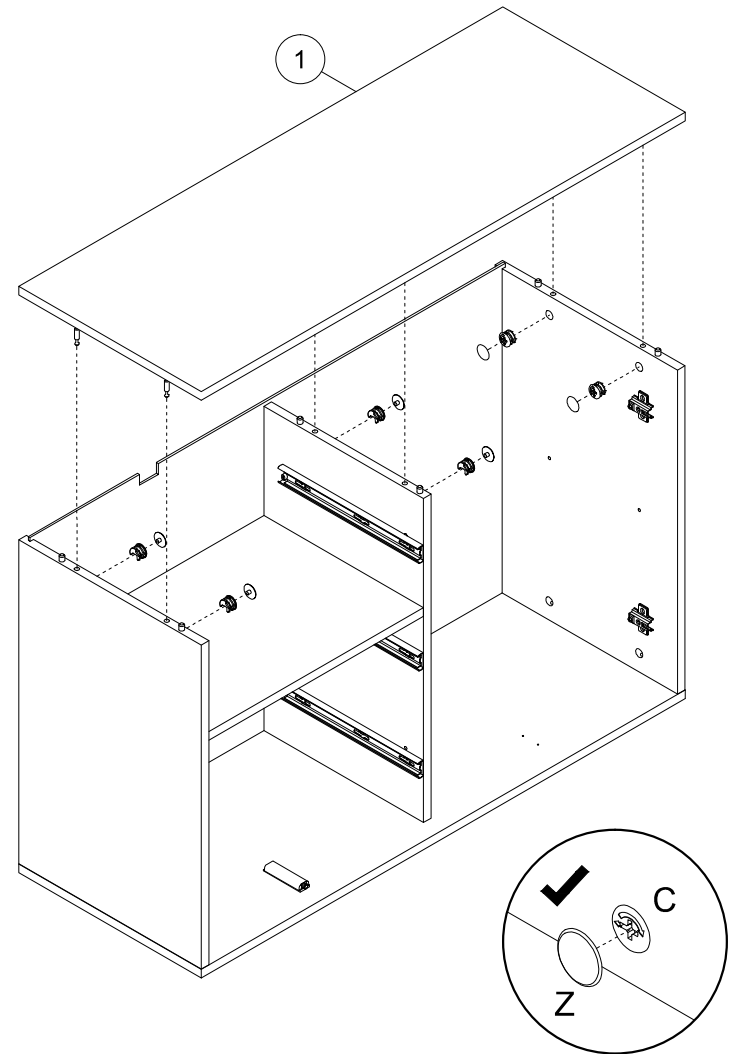
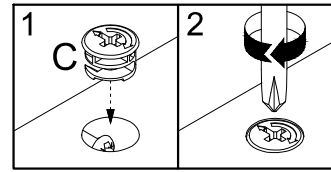
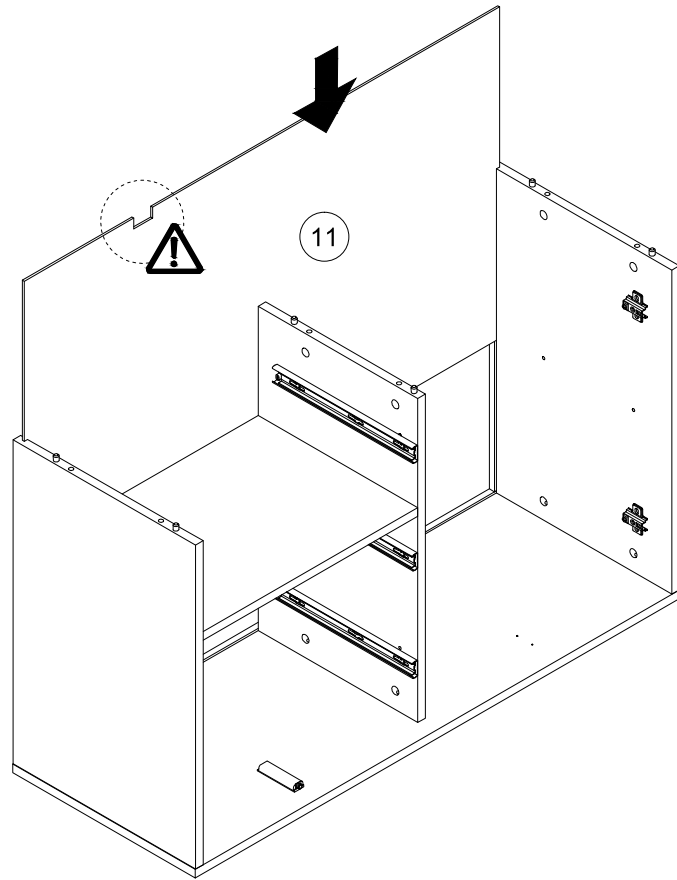
W+H2	ND	3,5x16
		x4

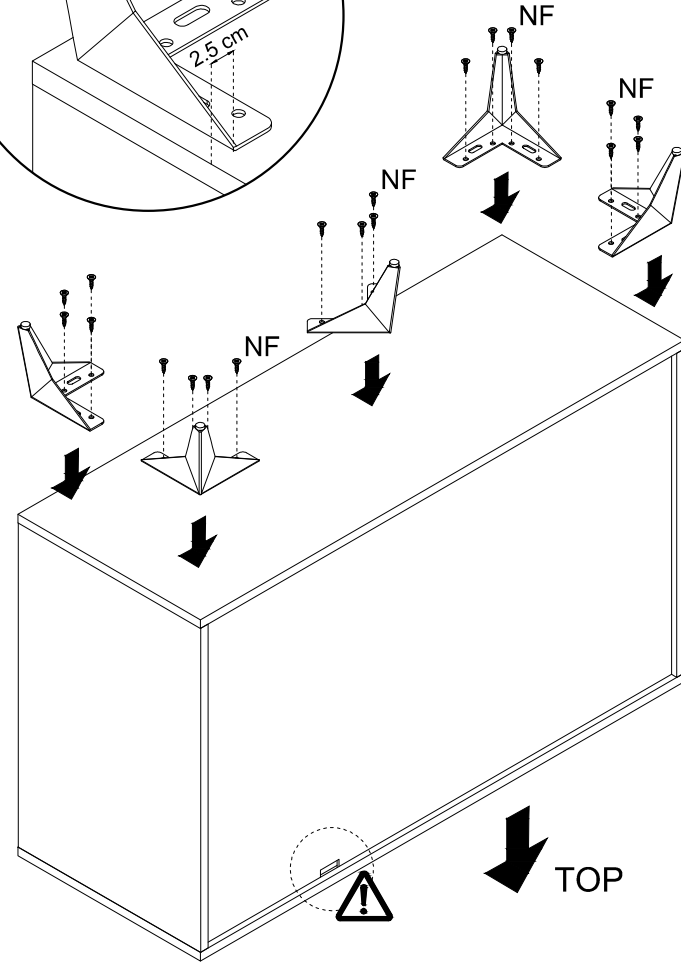
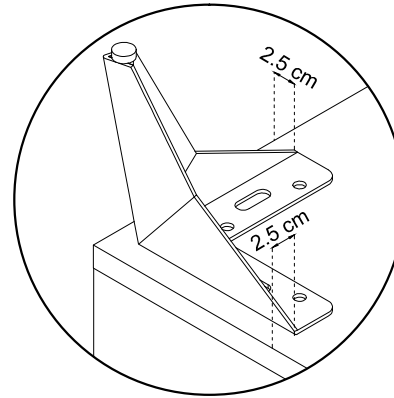
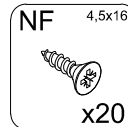
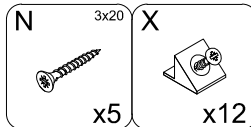
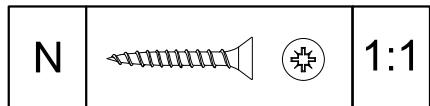
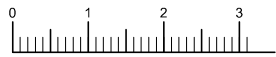
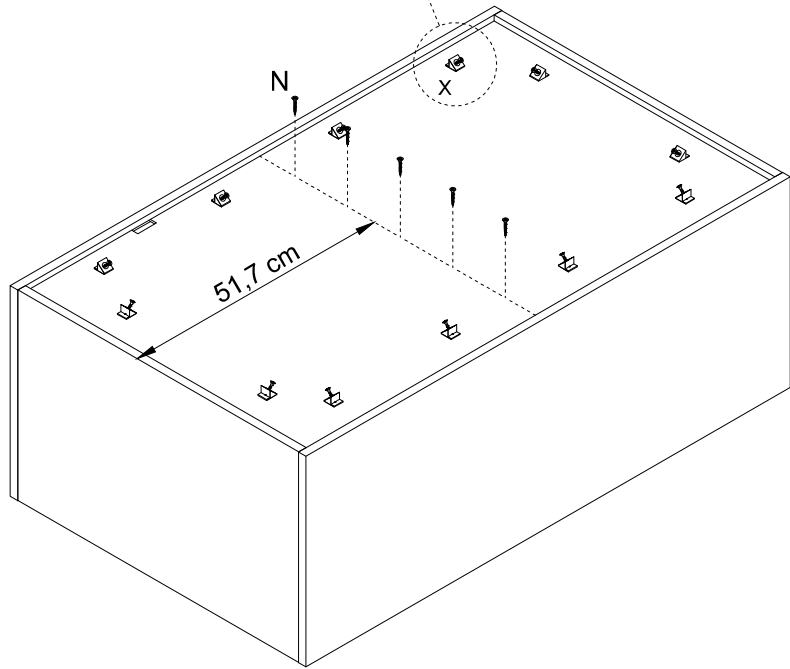
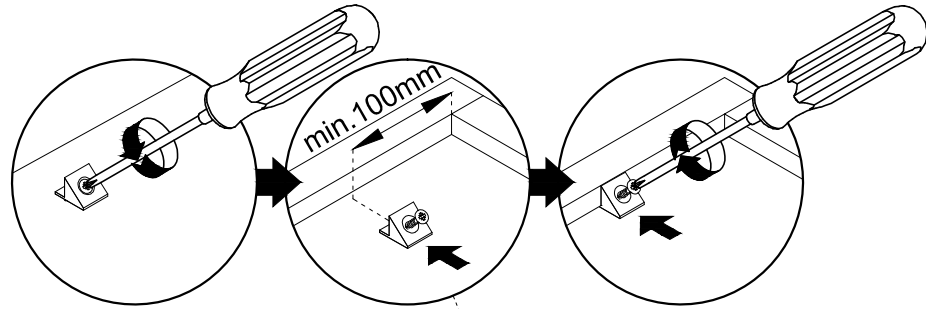
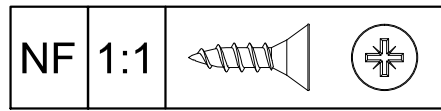
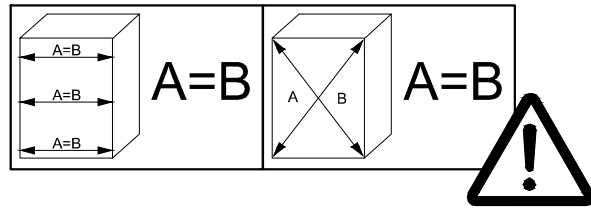
5



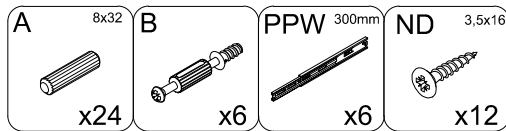
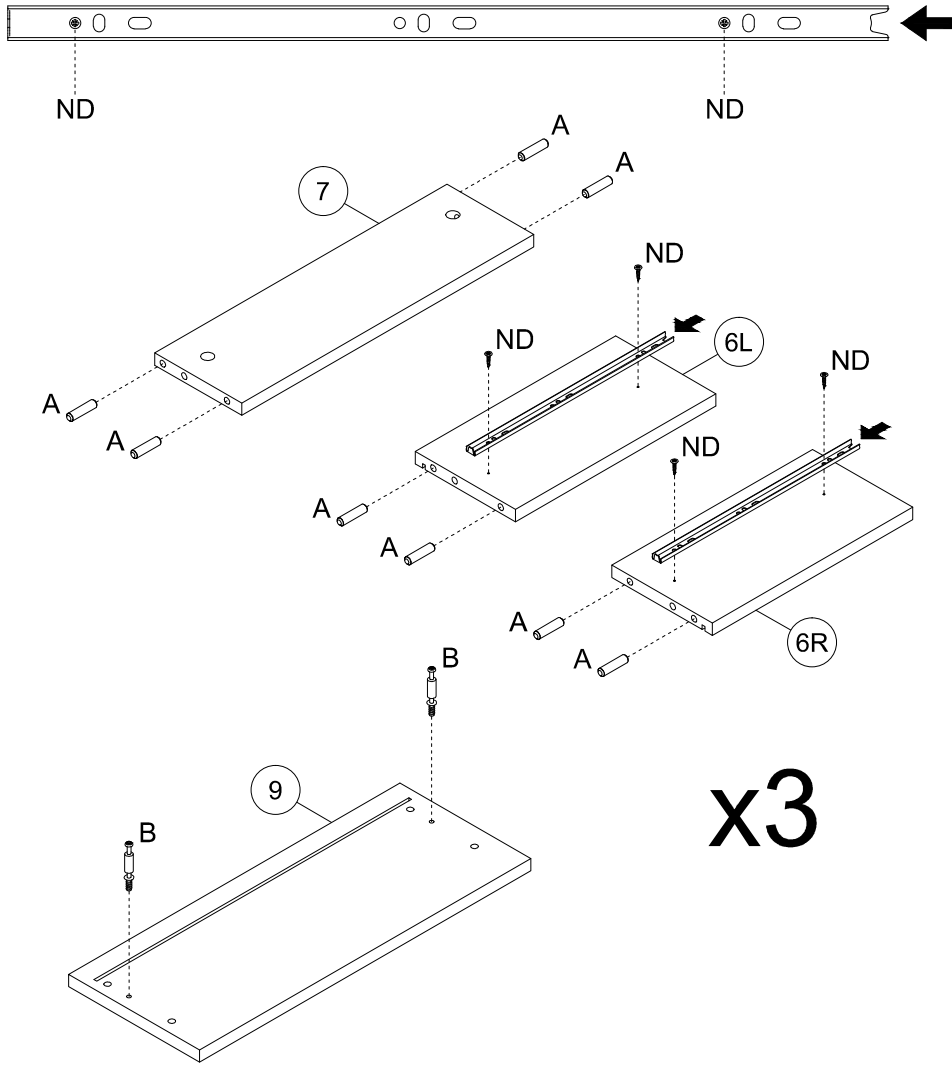
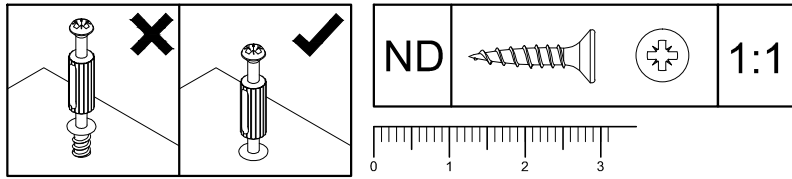
6



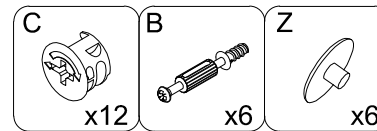
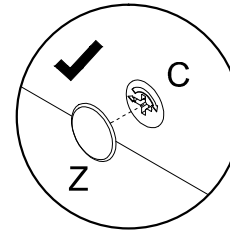
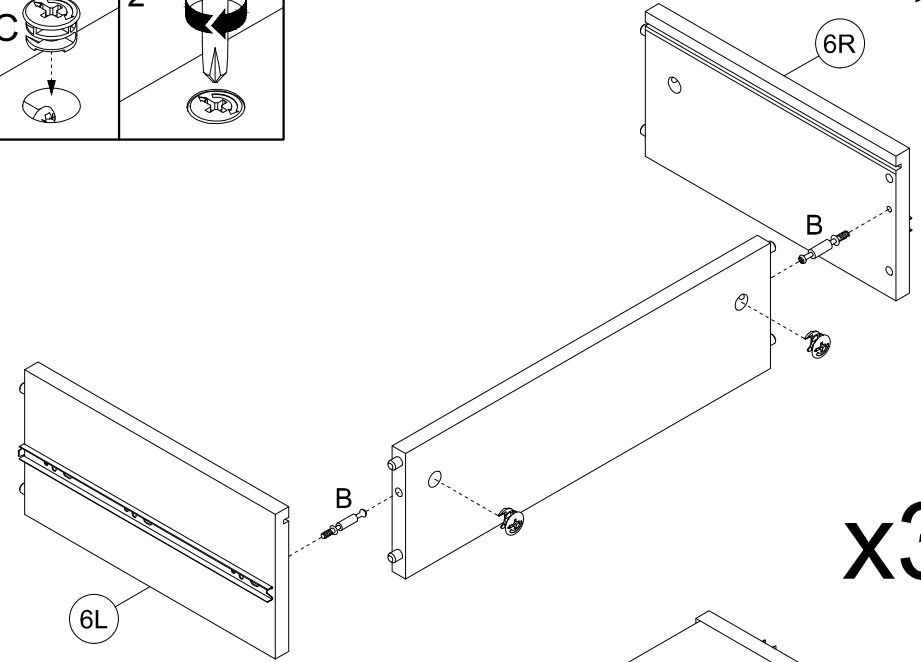
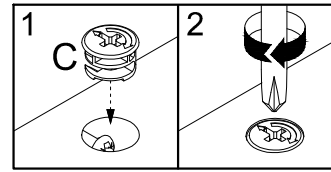


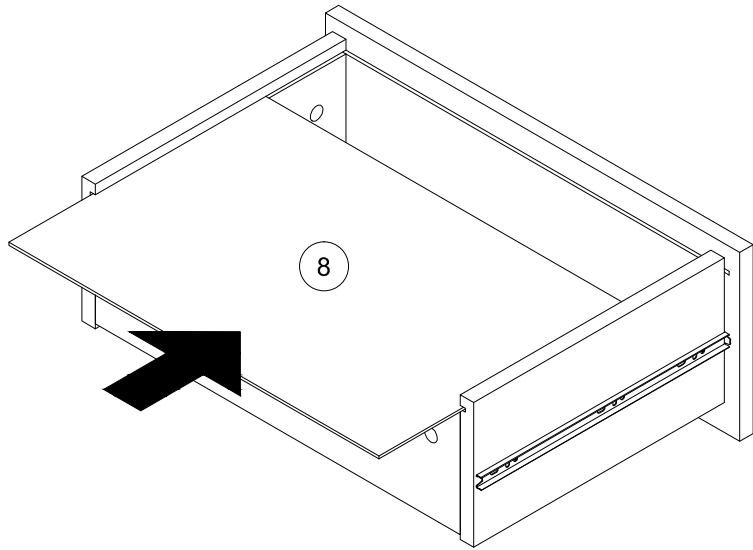
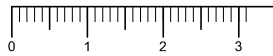
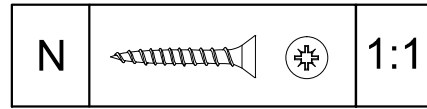


11

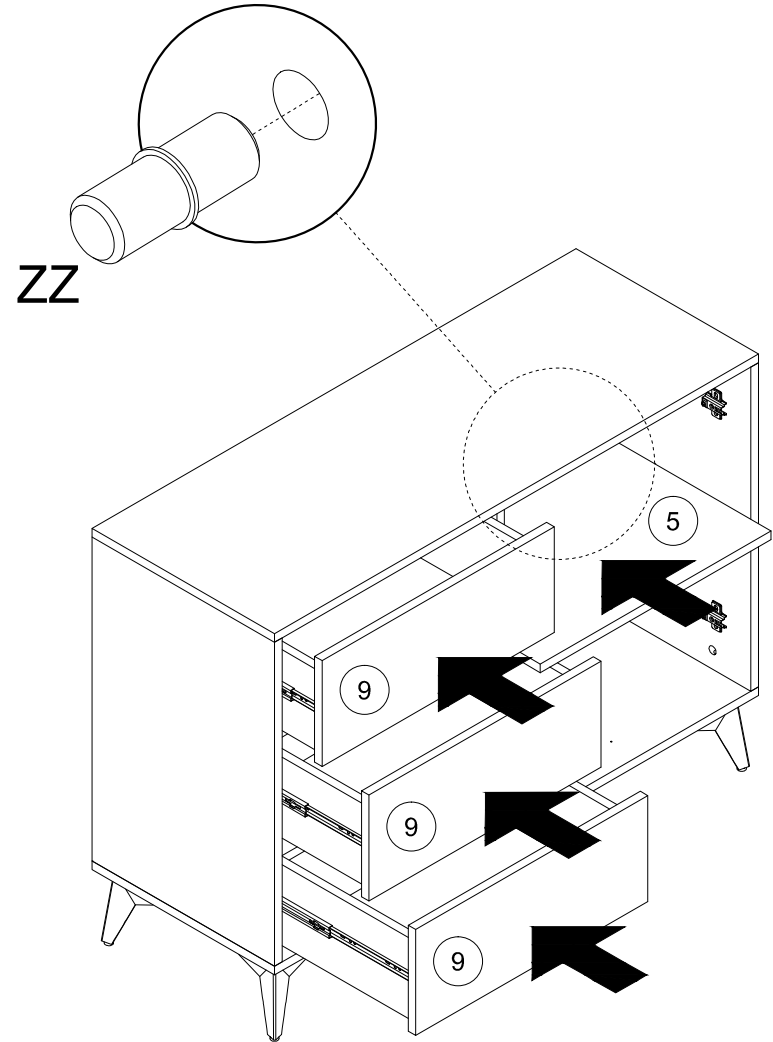
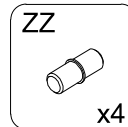
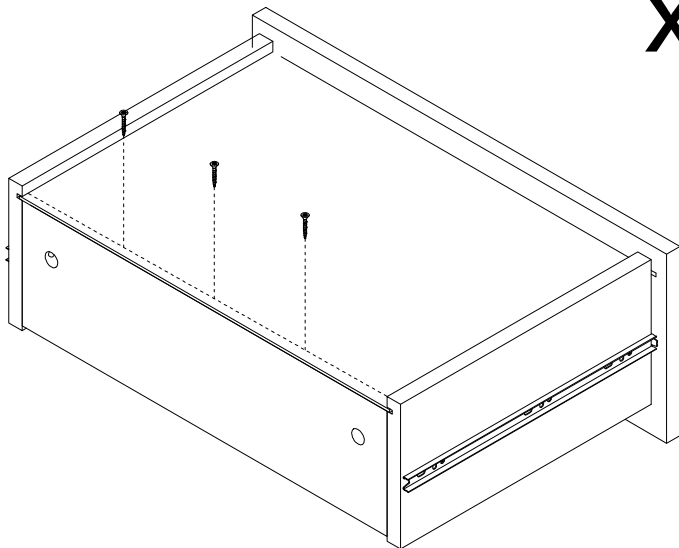


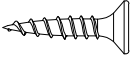

12

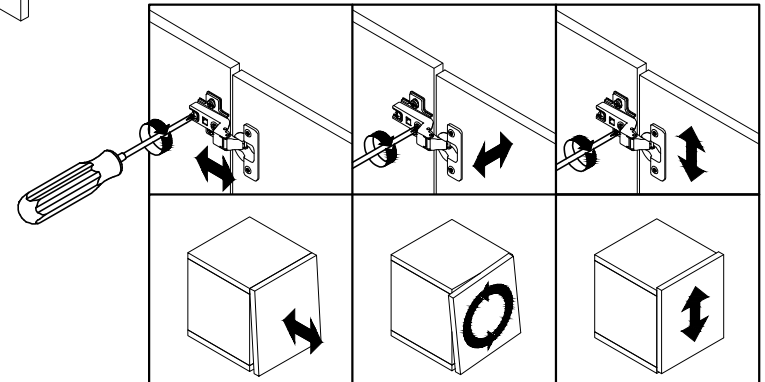
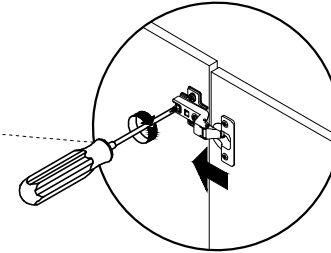
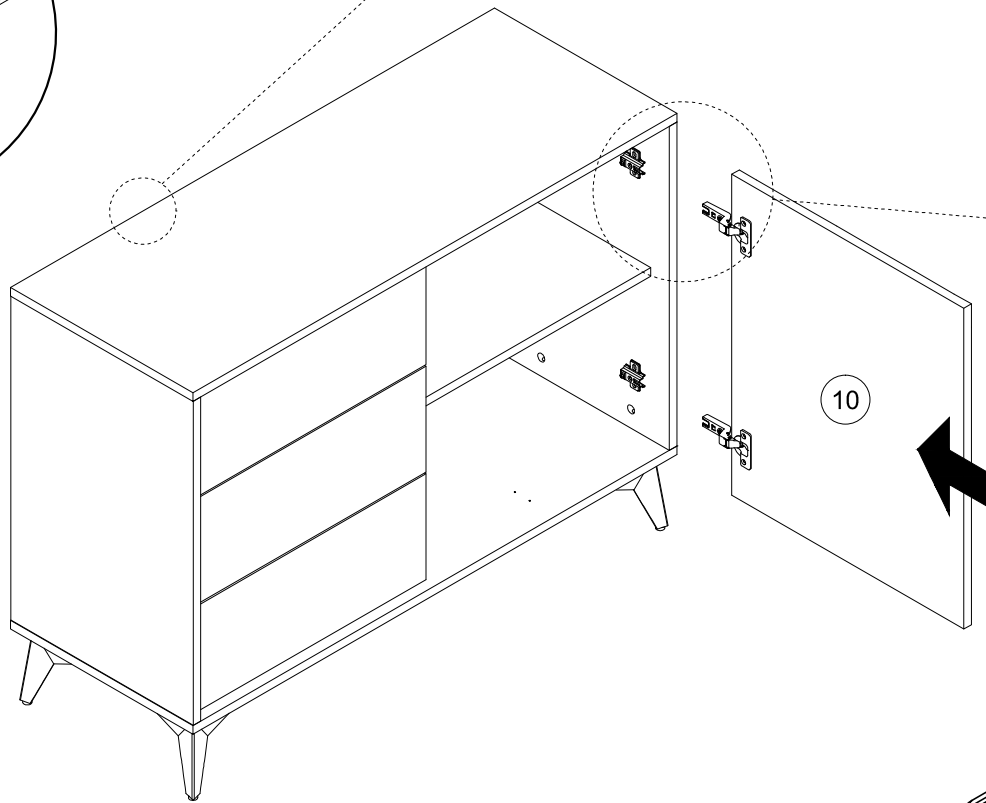
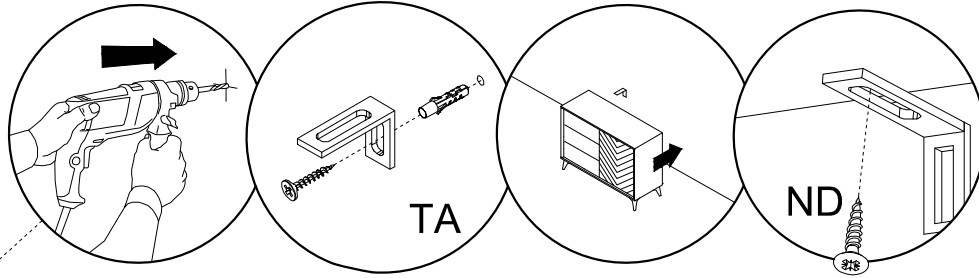
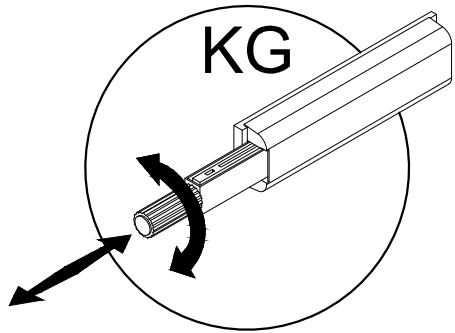
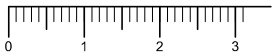






x3



ND			1:1
----	--	--	-----



ND	3,5x16	TA	
	x1		x1