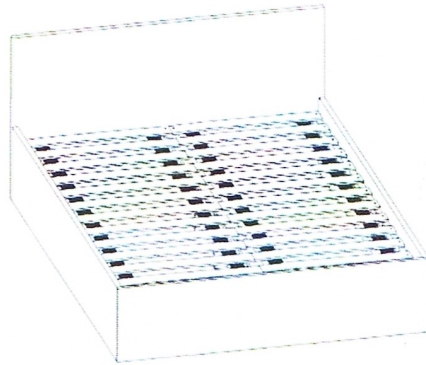
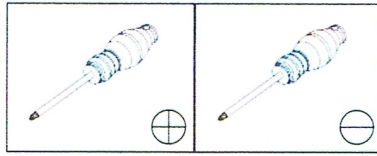
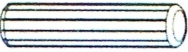




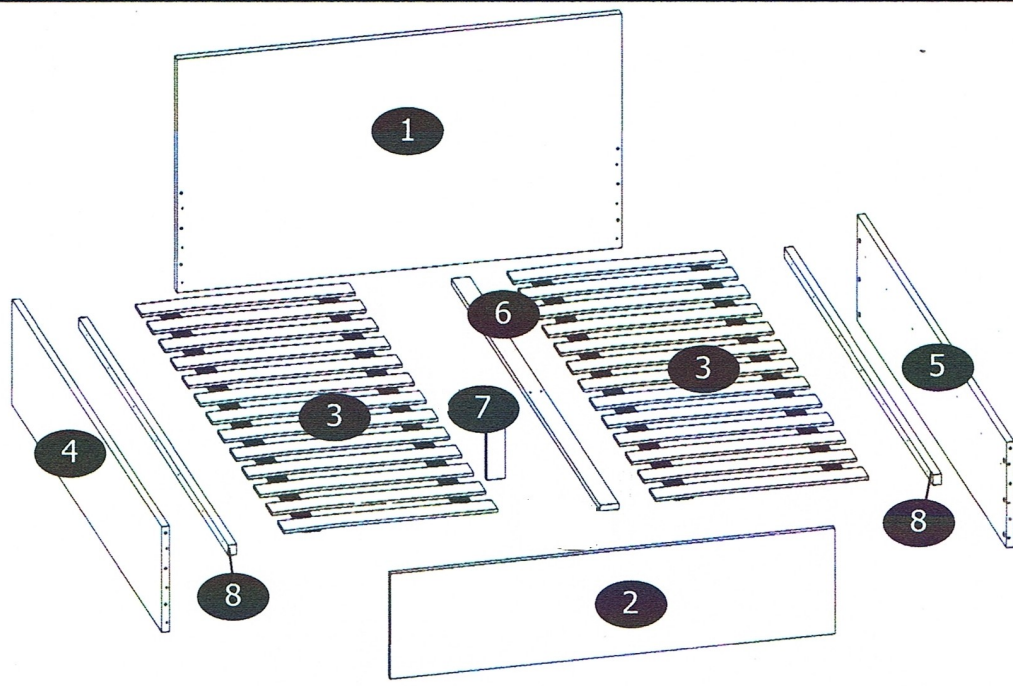


# 120/140/160x200

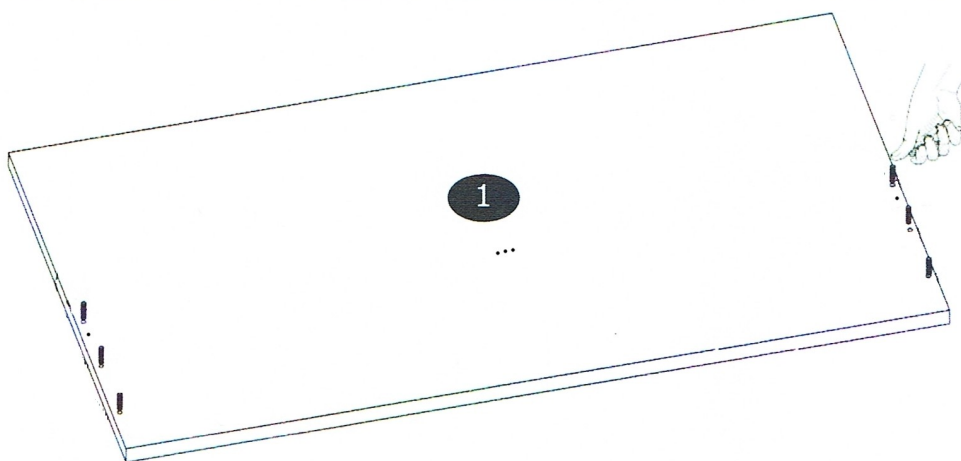
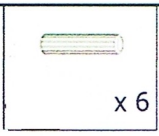


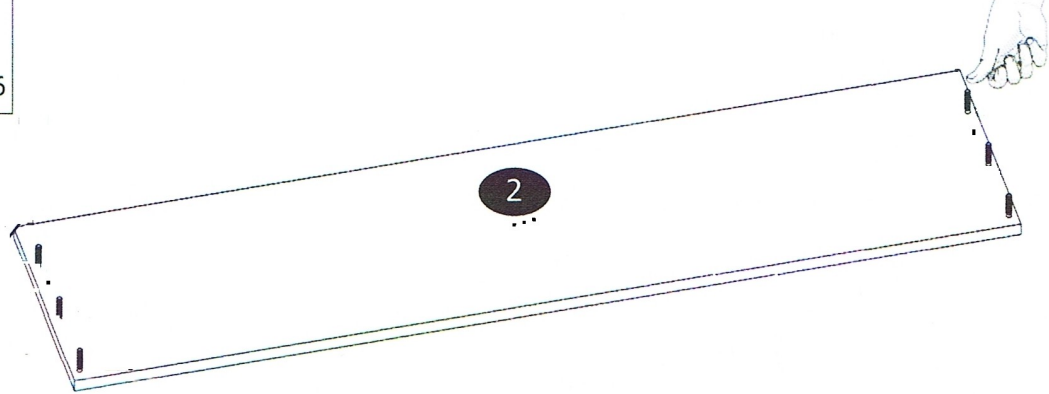
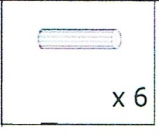
- 1 x 1
- 2 x 1
- 3 x 2
- 4 x 1
- 5 x 1
- 6 x 1
- 7 x 1
- 8 x 2



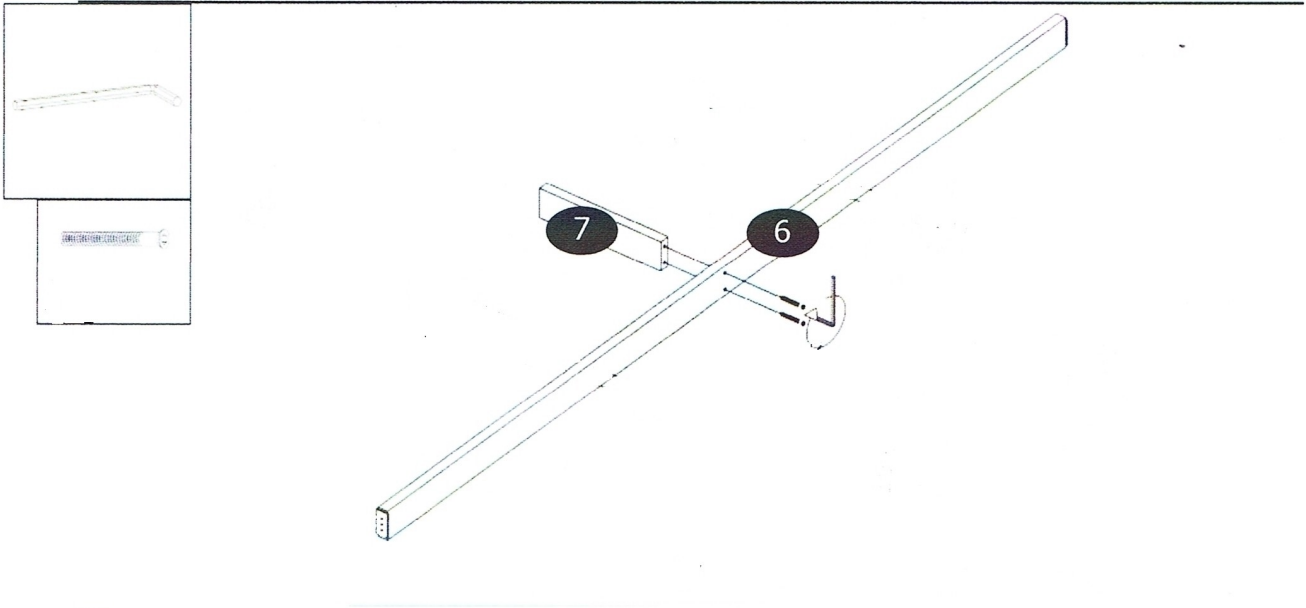
1



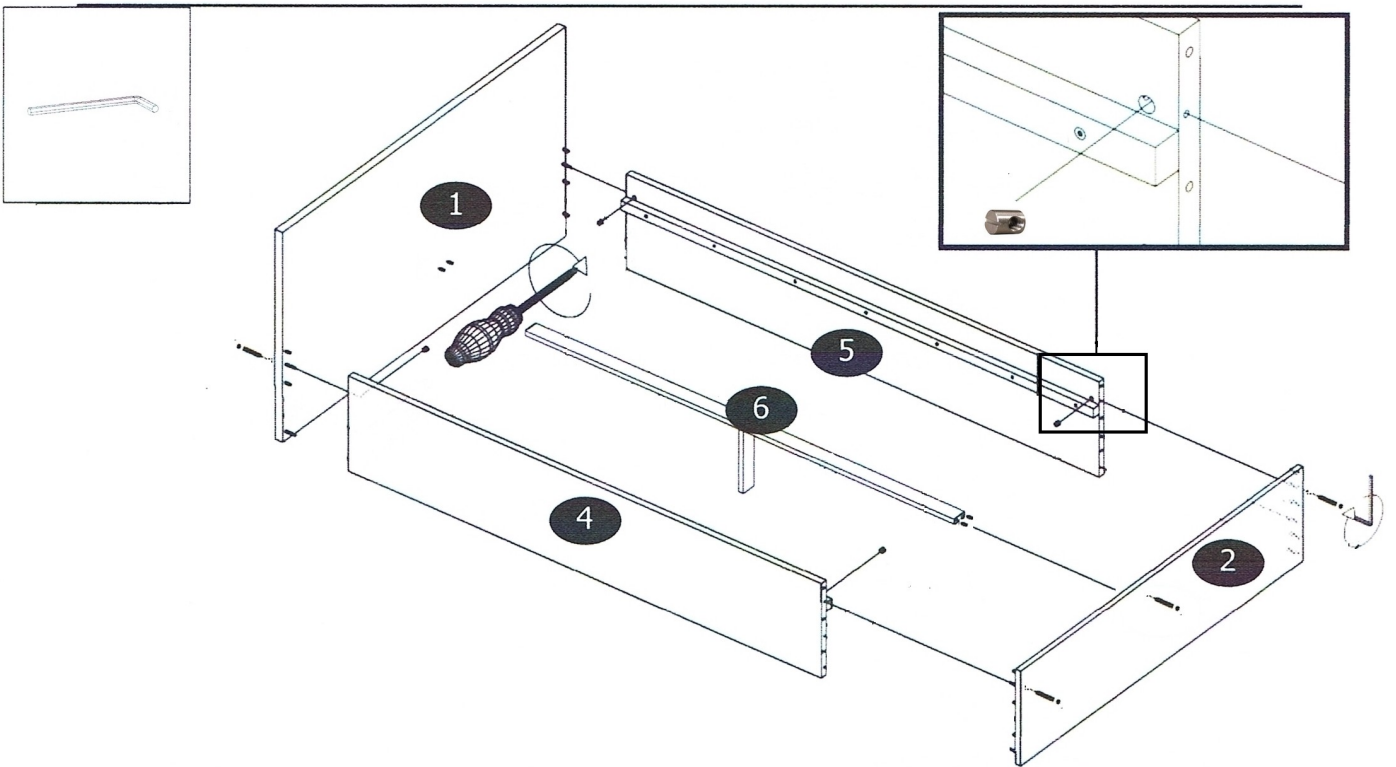
2



3



4



5

