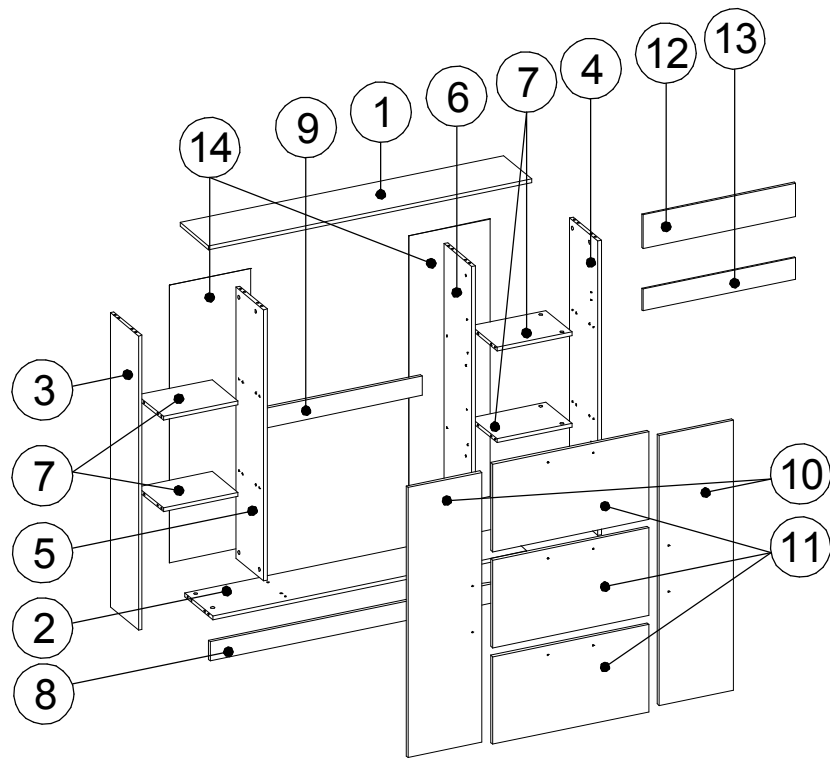
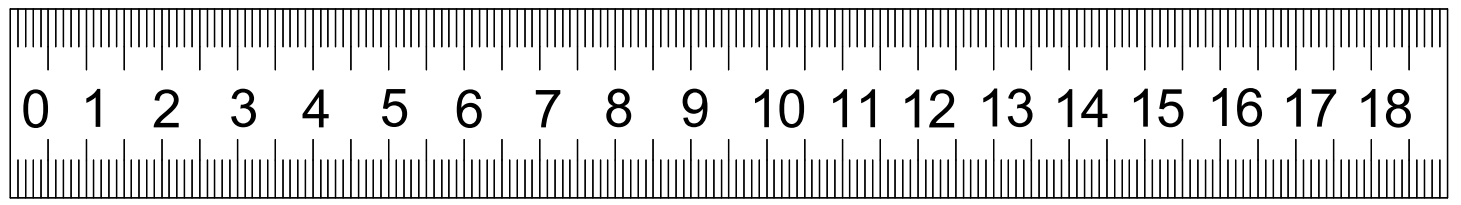
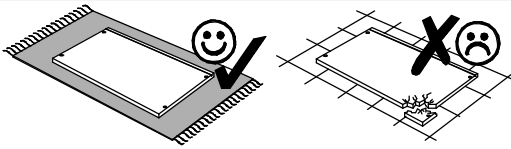


W7 6.2x13 24	J1 L+P 3	J3 6	J4 6	ZF 5mm 8		
M12 24	TM1 24	ZM 24	W1 4x13 12+8	Z1 option 4	U 3+2	W6 6+4
KN2 7x50 8	K3 1	K2 8x32 32	ZK 7	G1 1.6x16 40	ST 6	W3 3x20 18



1	1372x241x16mm	1
2	1333x237x16mm	1
3	1226x238x16mm	1
4	1226x238x16mm	1
5	1130x236x16mm	1
6	1130x236x16mm	1
7	317x219x16mm	4
8	1333x80x16mm	1
9	667x80x16mm	1
10	1123x311x16mm	2
11	658x365x16mm	3
12	647x140x10mm	6
13	647x90x10mm	3
14	1155x344x3mm	2

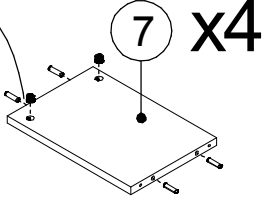
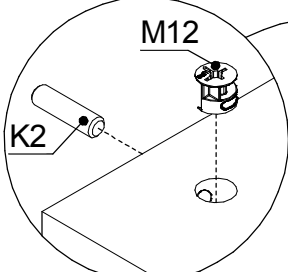
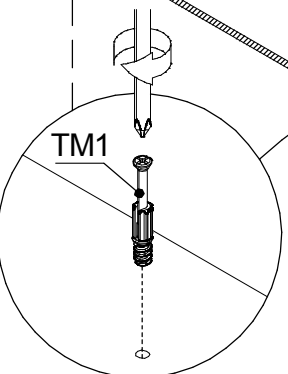
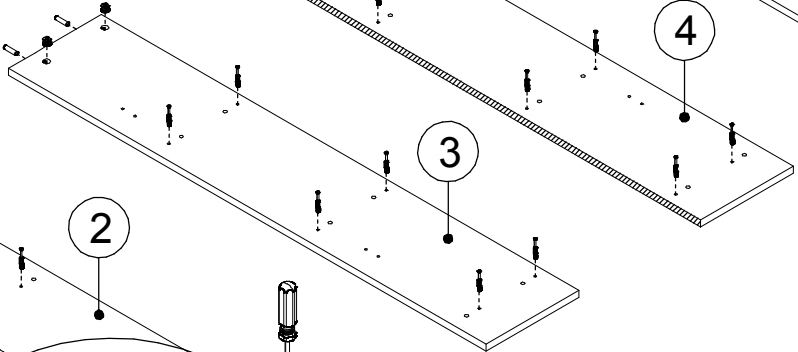
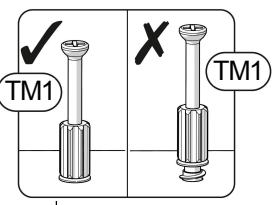
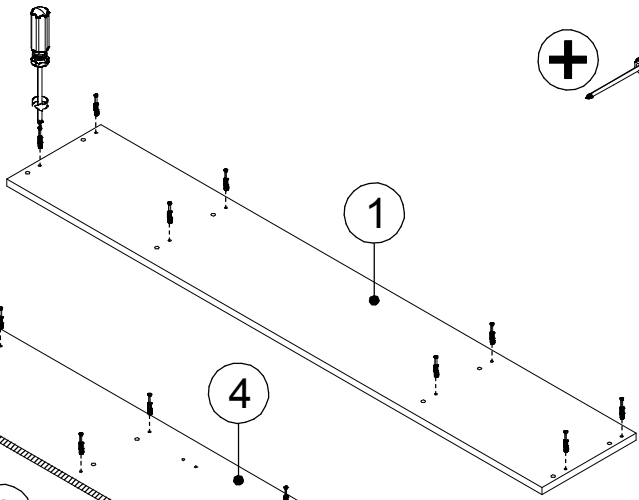
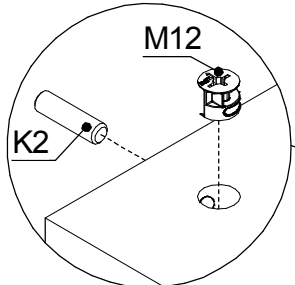
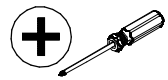
▶ 1



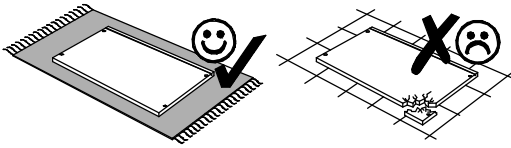
M12 10

TM1 24

K2 8x32 12



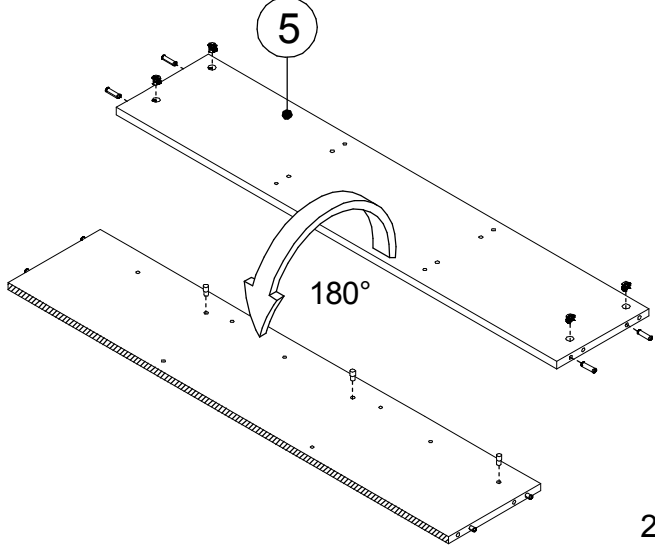
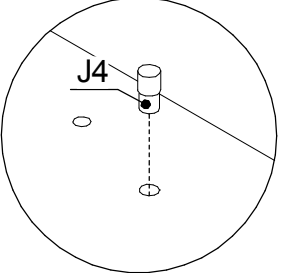
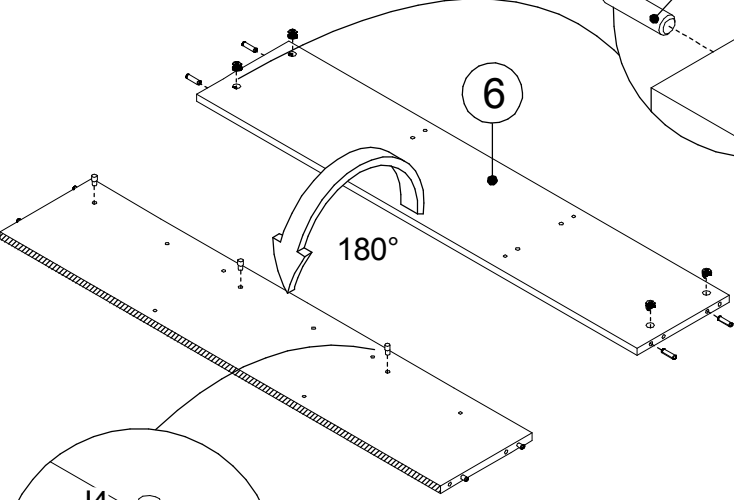
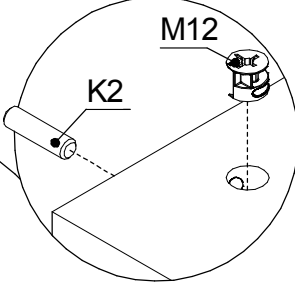
▶ 2



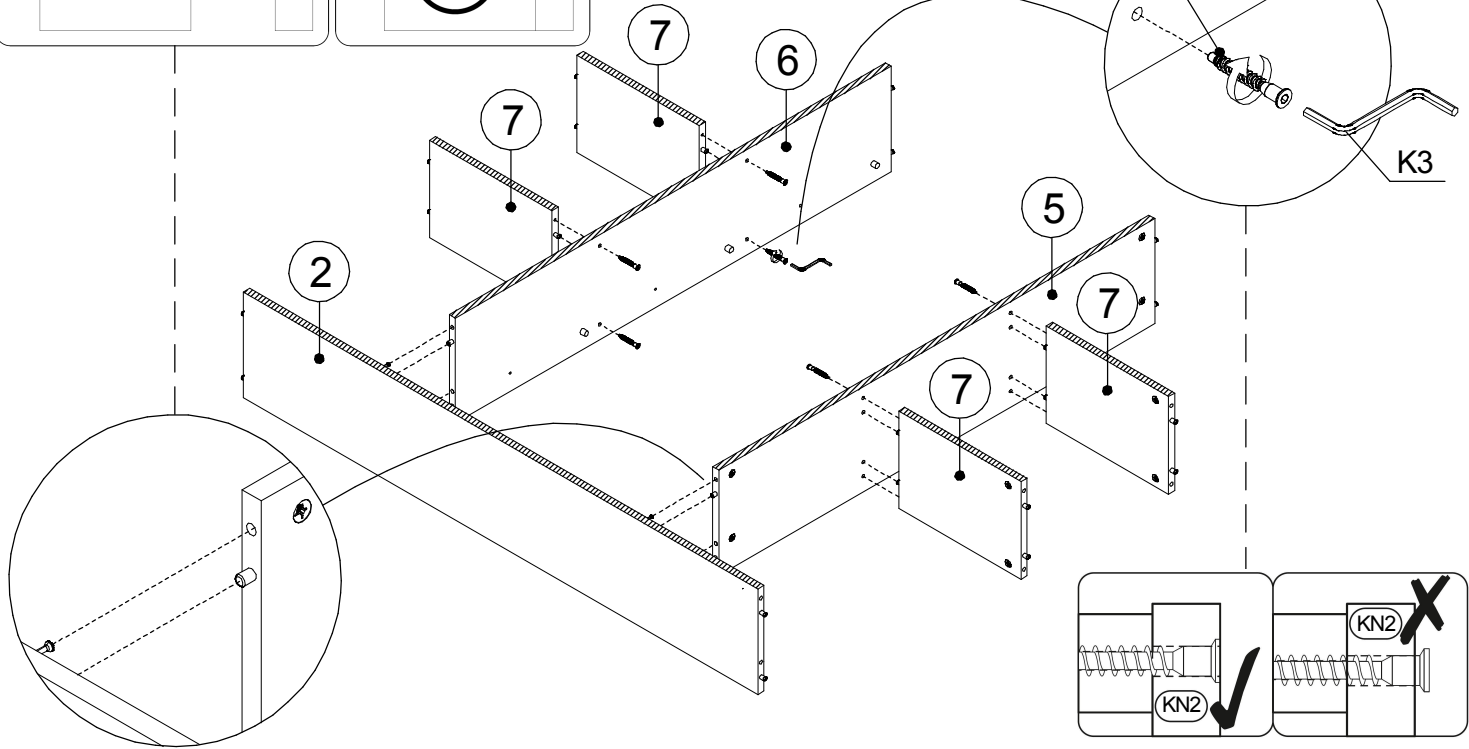
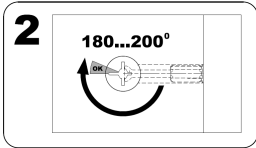
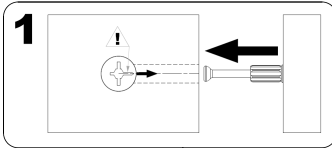
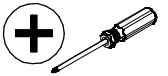
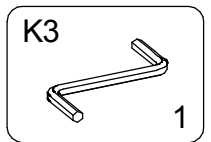
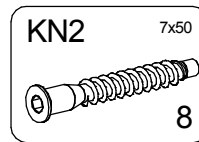
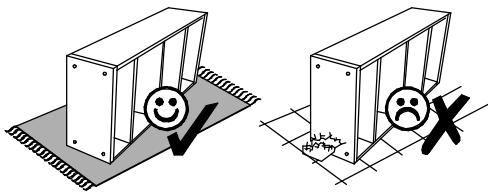
M12 8

K2 8x32 8

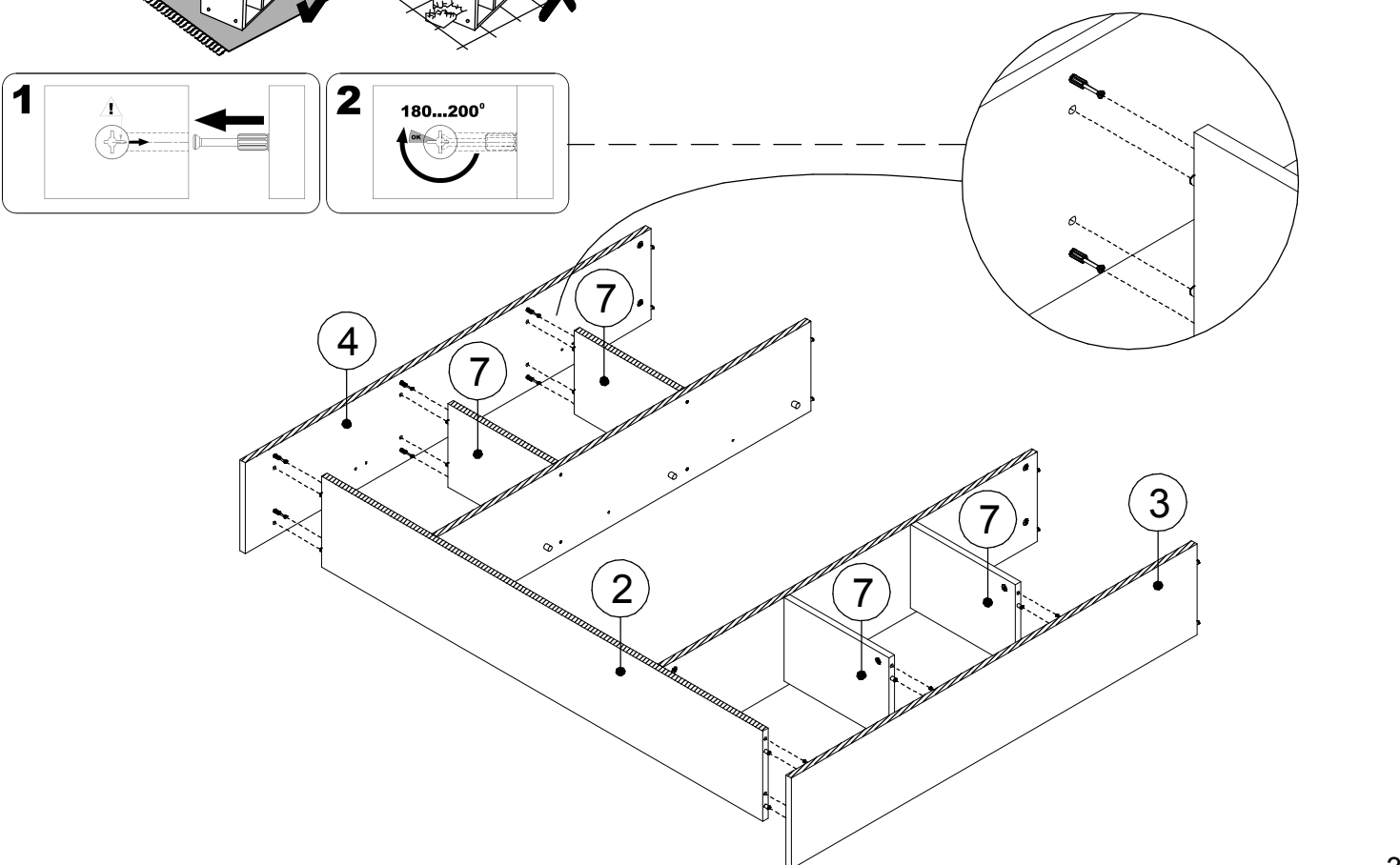
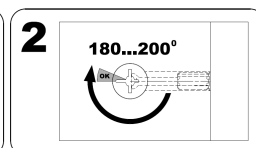
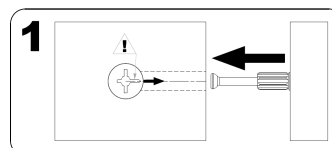
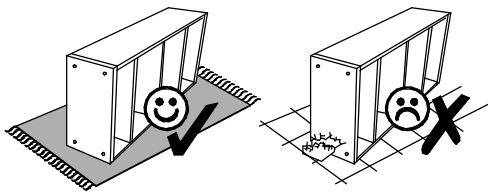
J4 6



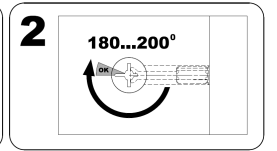
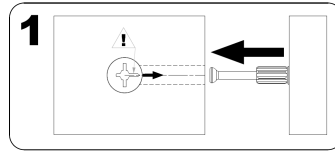
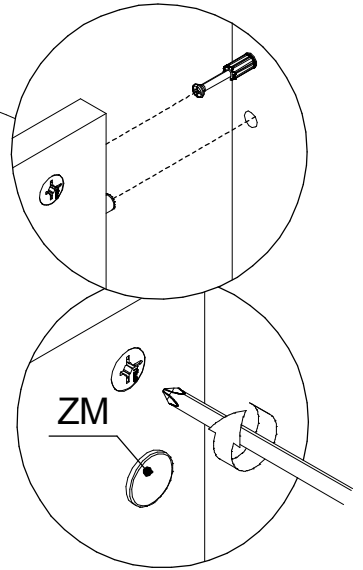
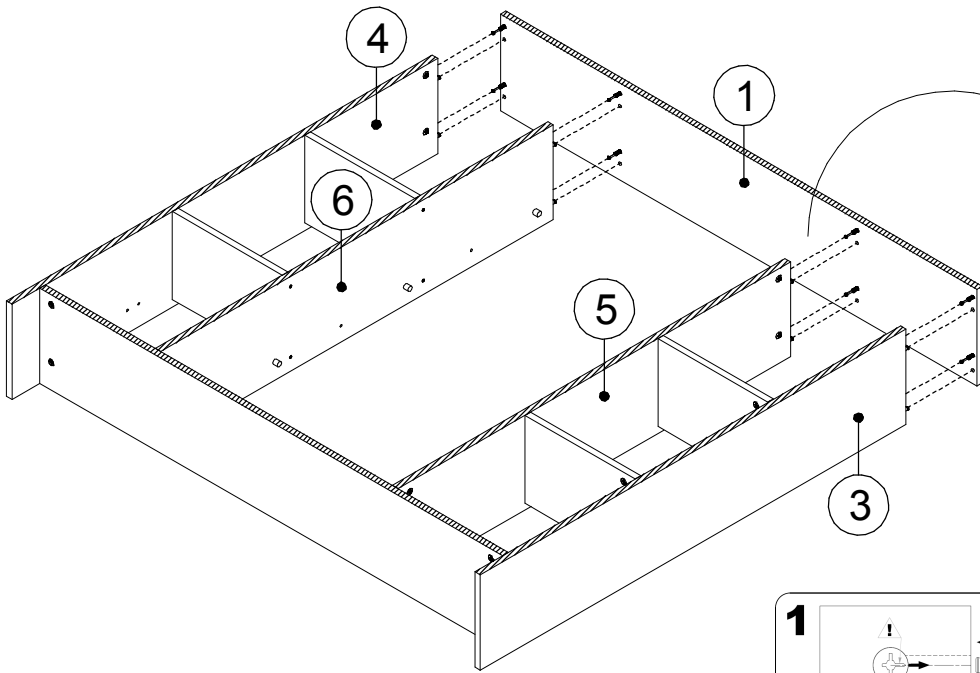
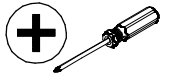
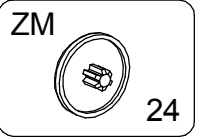
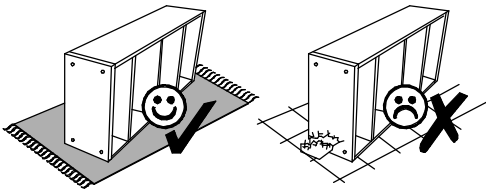
3



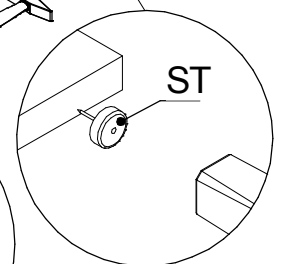
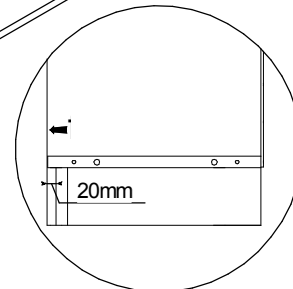
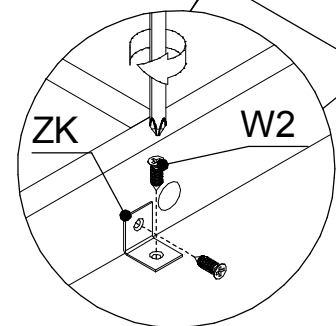
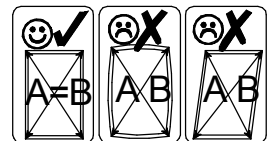
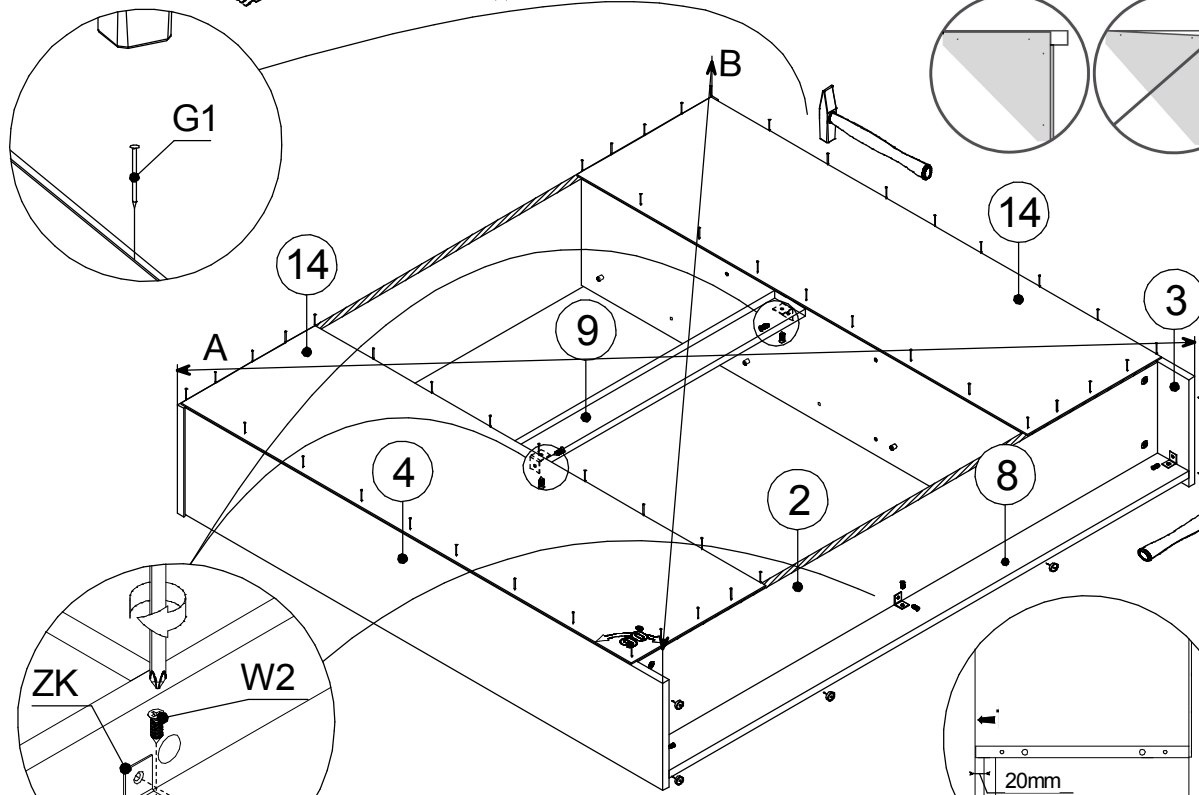
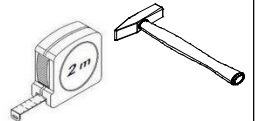
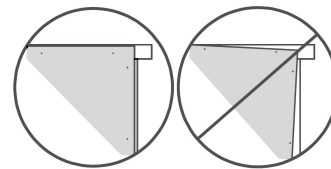
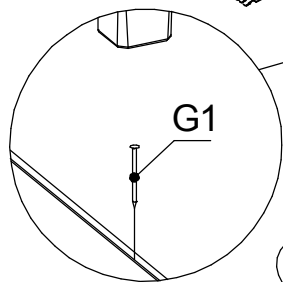
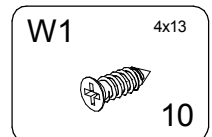
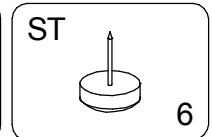
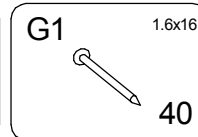
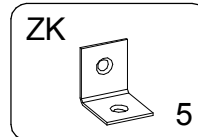
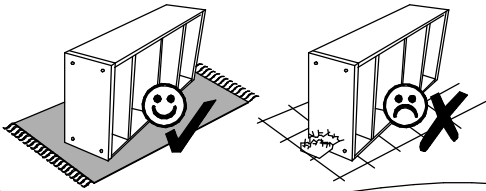
4

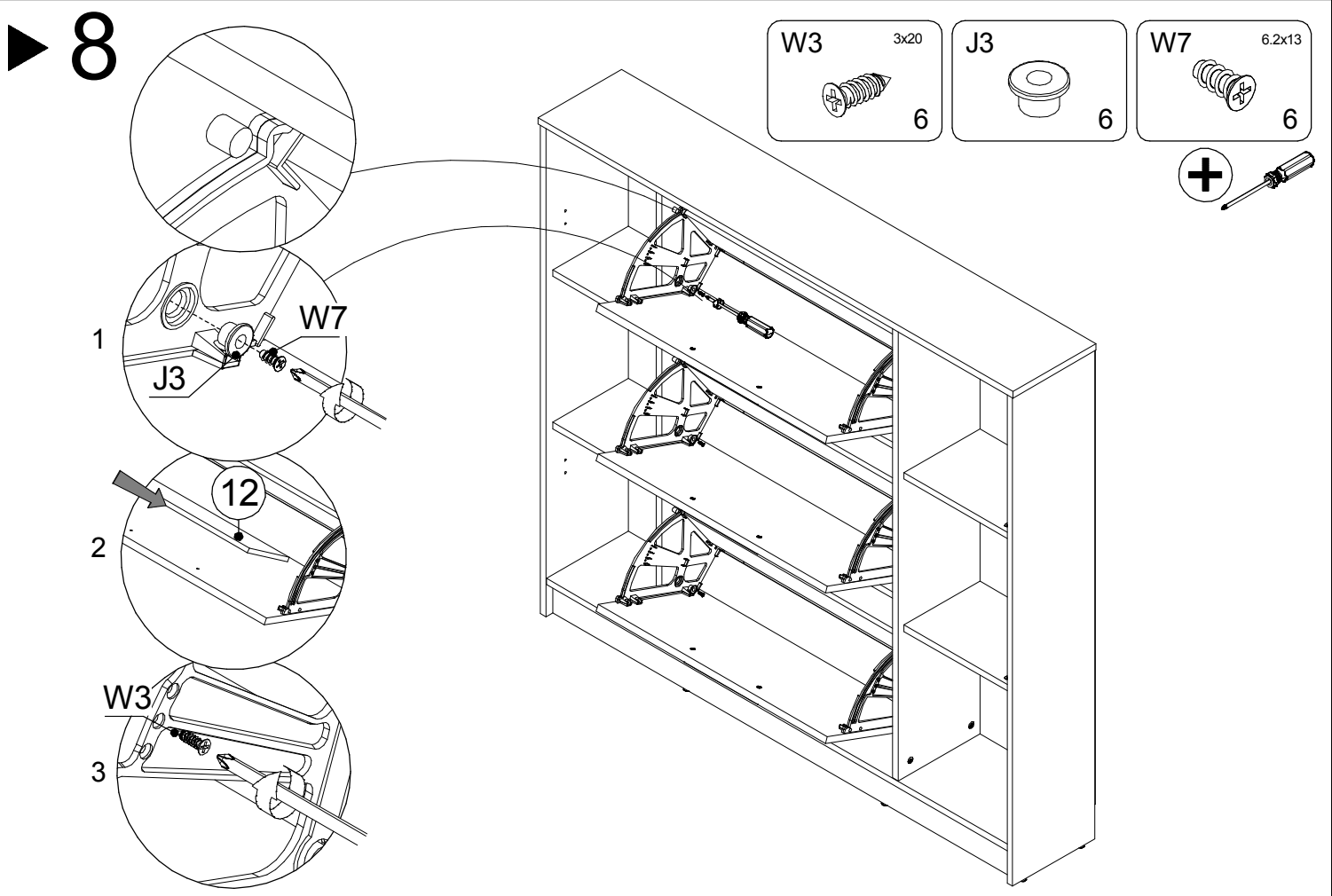
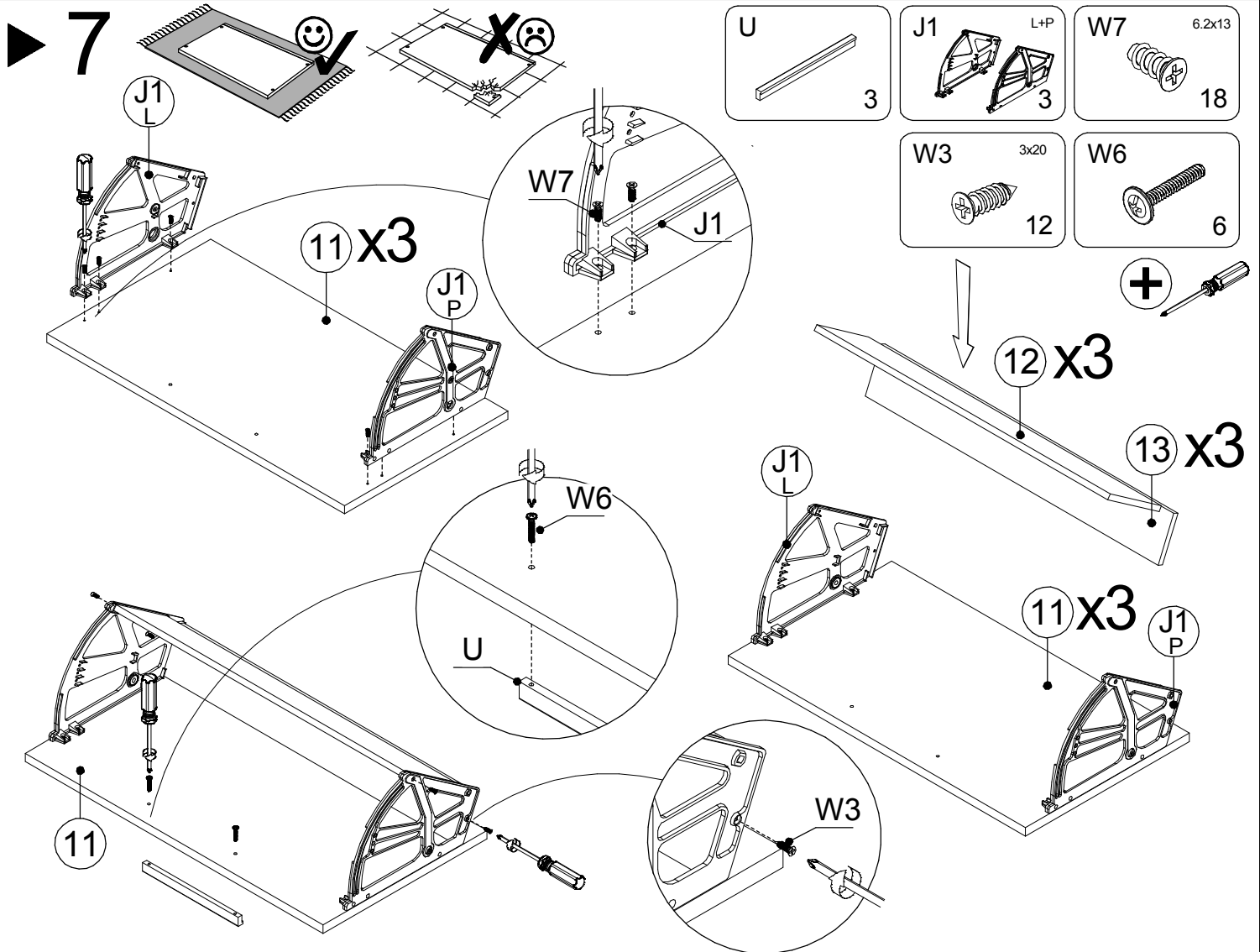


► 5

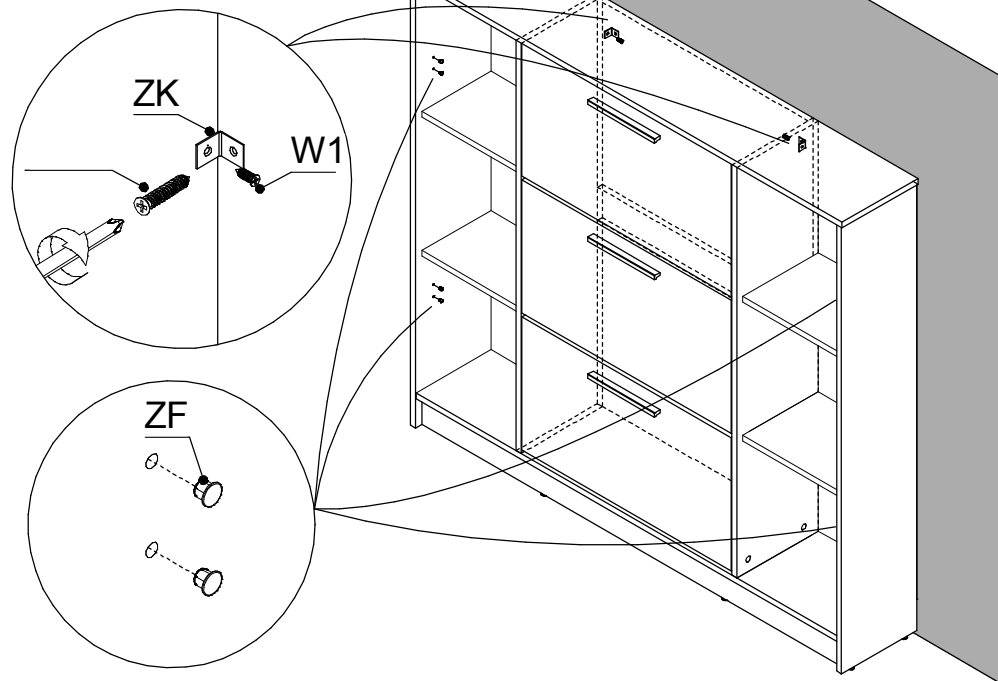


► 6





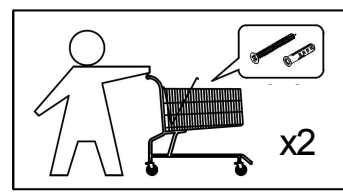
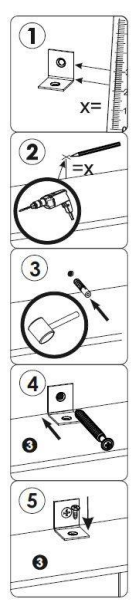
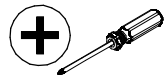
9



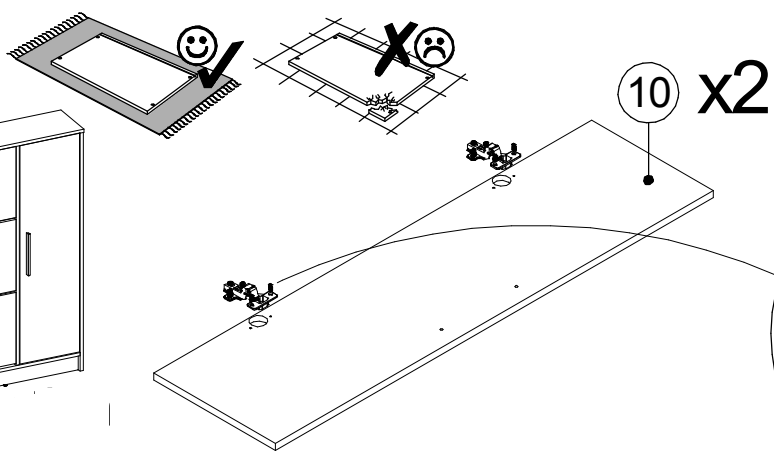
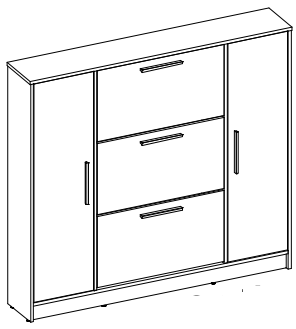
ZK 2

W1 4x13 2

ZF 5mm 8

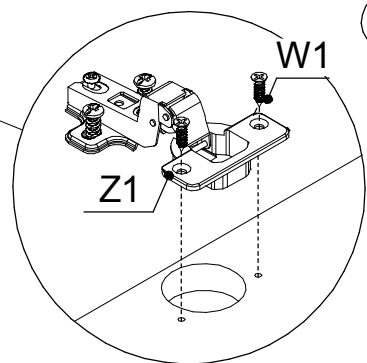
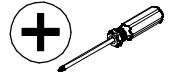


10

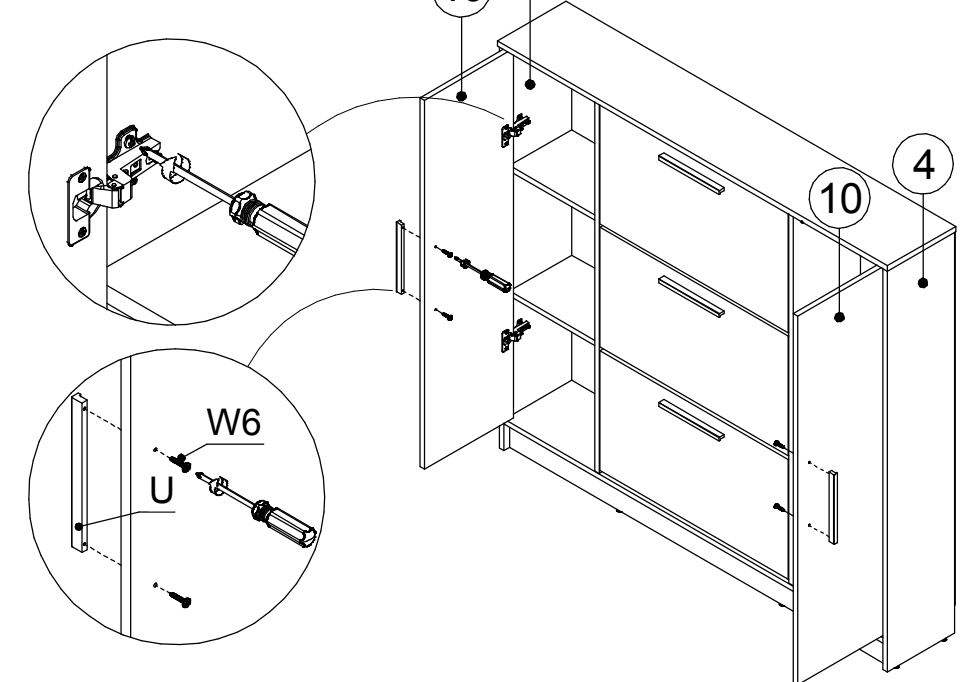


W2 4x13 8

Z1 4



11



U 2

W6 4

