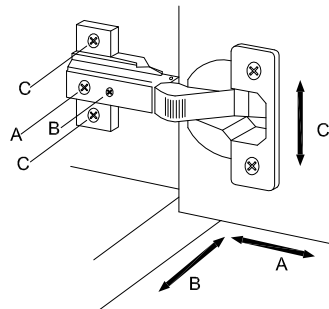
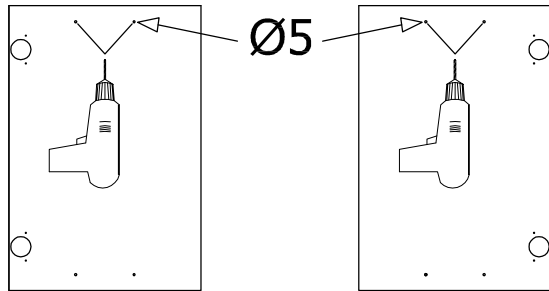
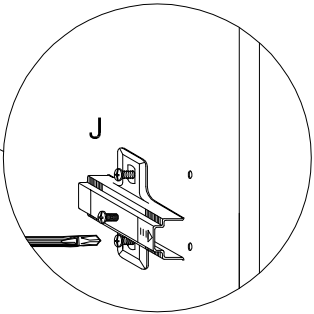
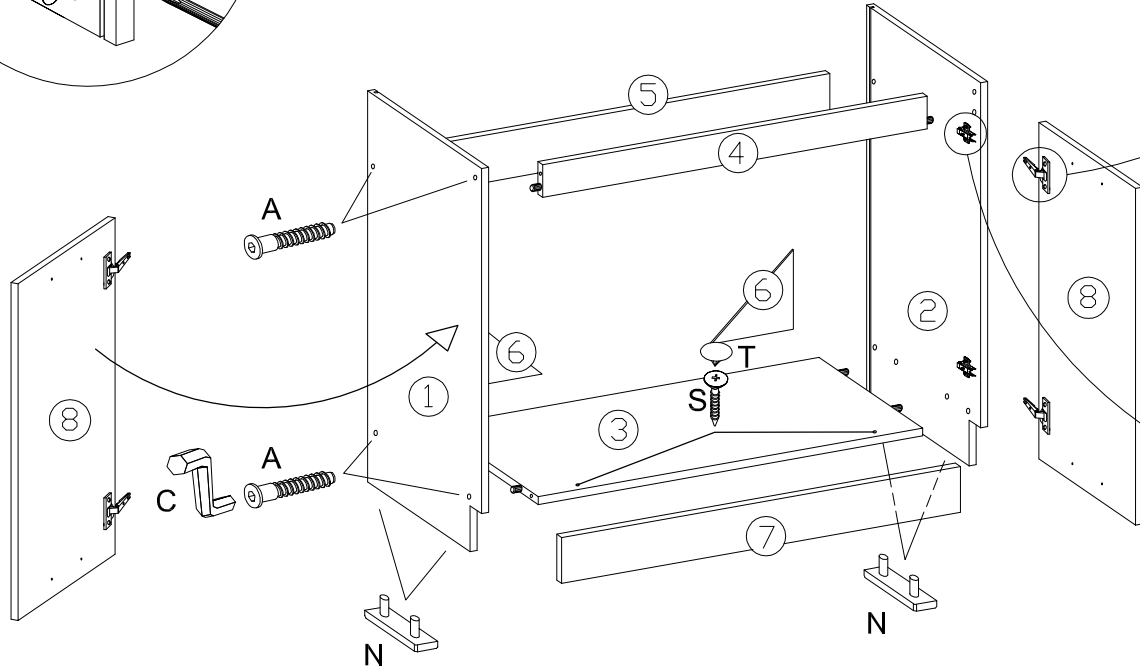
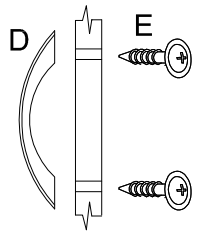
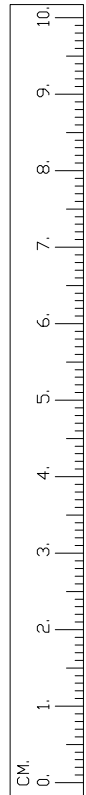
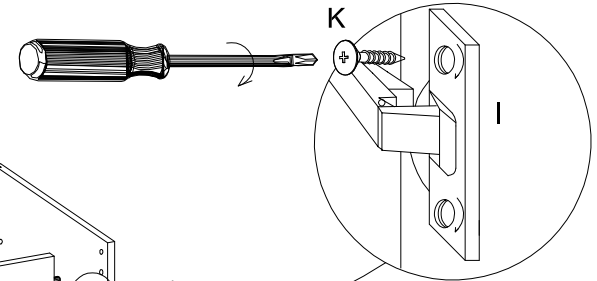
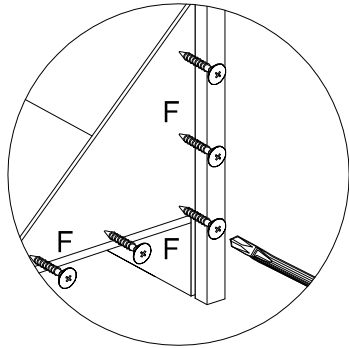
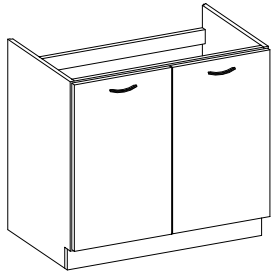
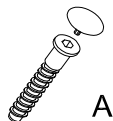
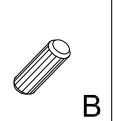
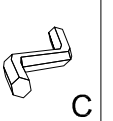
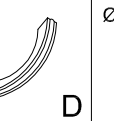
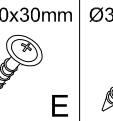
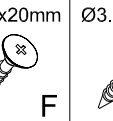
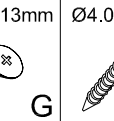
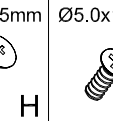
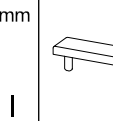
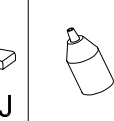
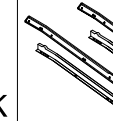
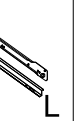
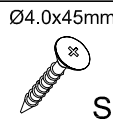
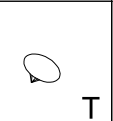
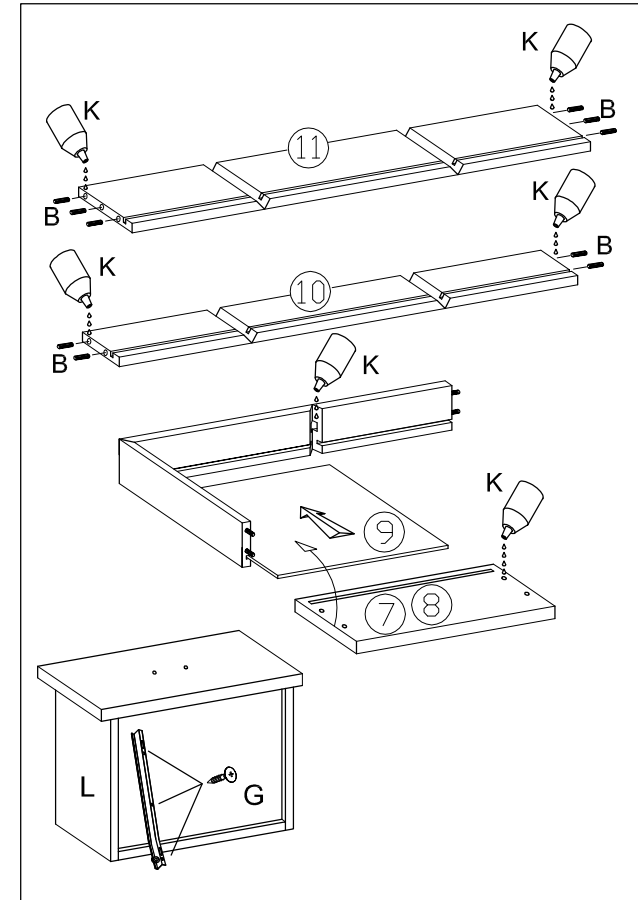
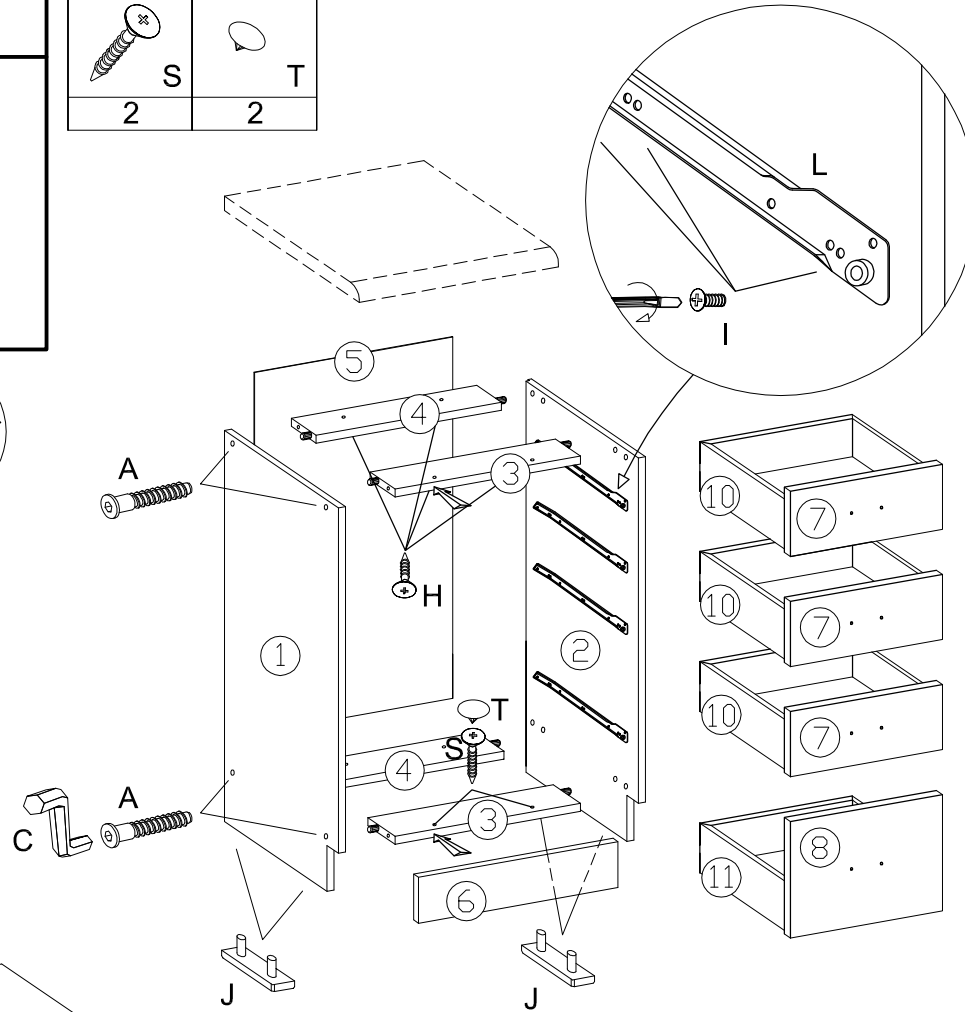
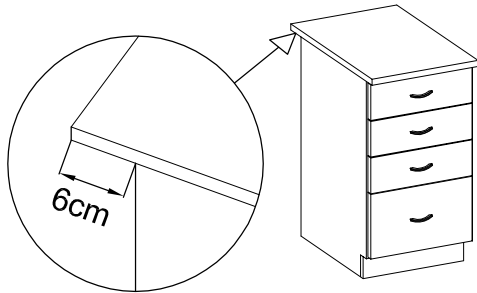
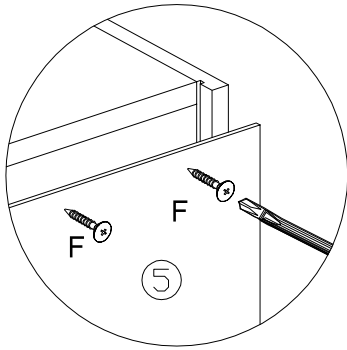
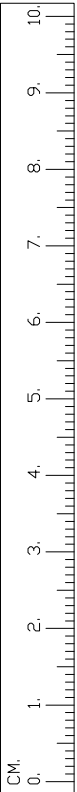
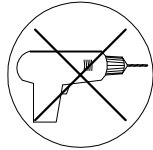
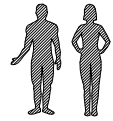
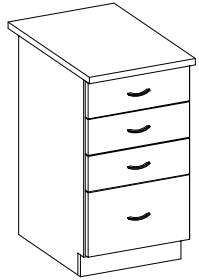
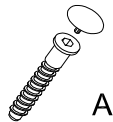
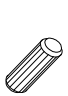
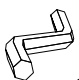


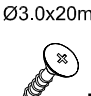

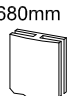
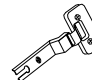


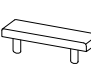




8	8	1	2	4	10-15	4	4	8	4	2	2

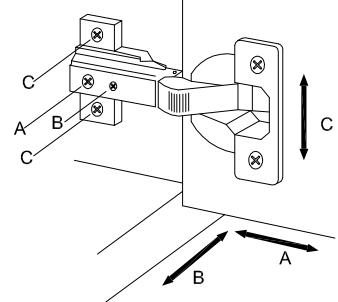
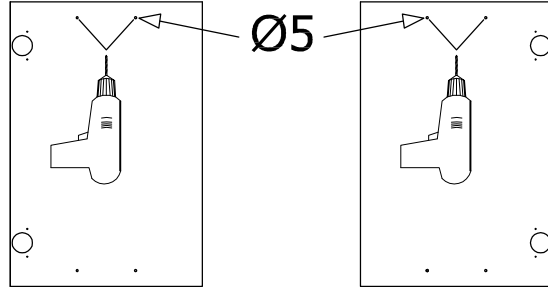
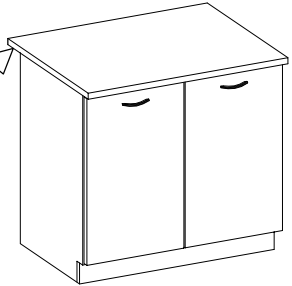
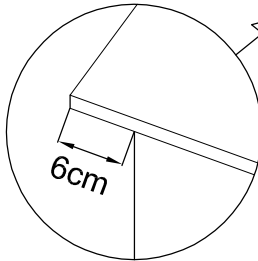
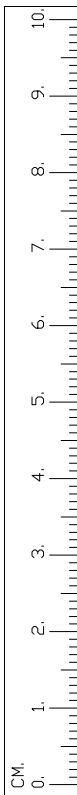
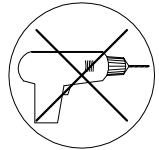
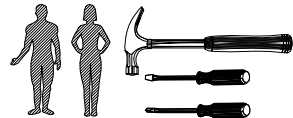
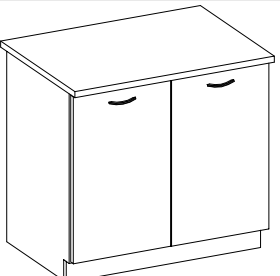
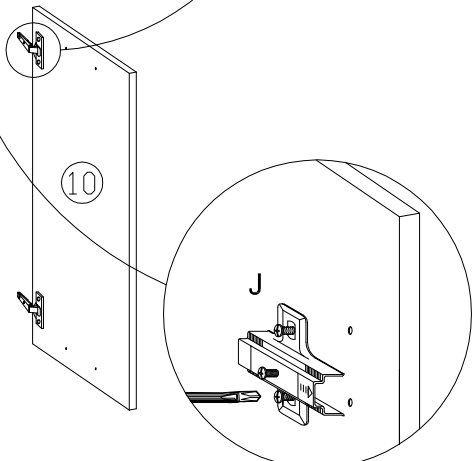
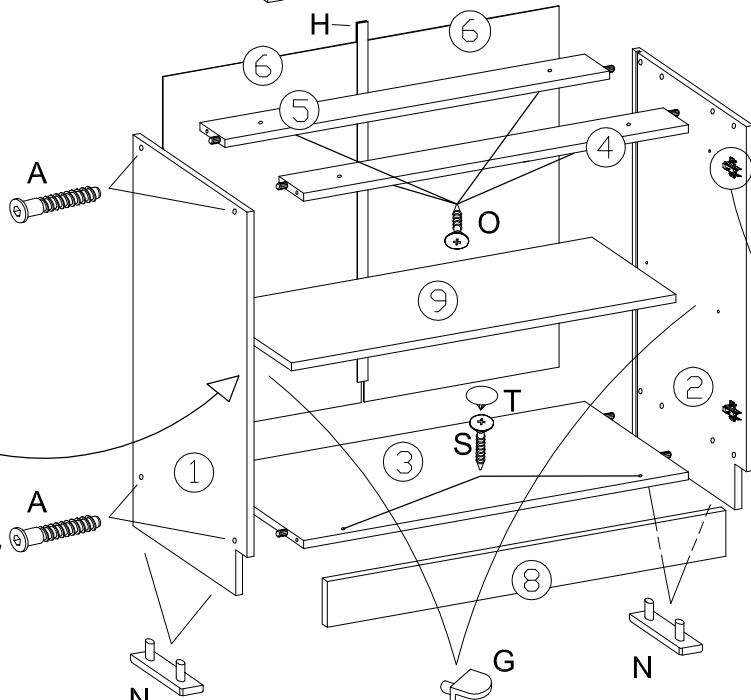
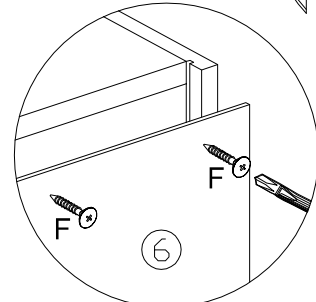
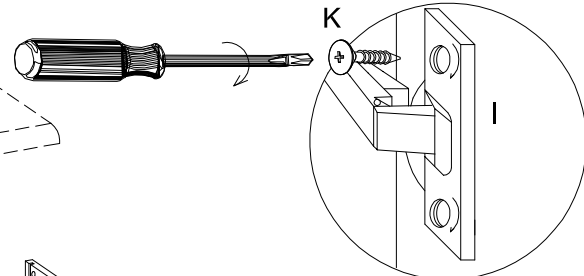
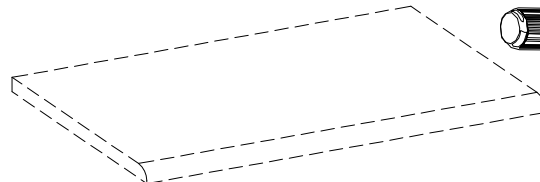
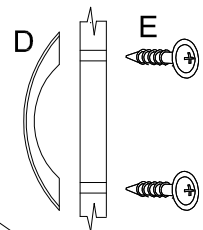


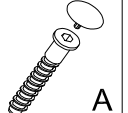
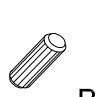
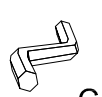




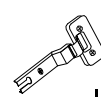
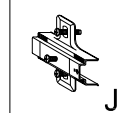
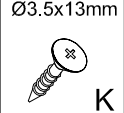


 A	 B	 C	 D	 E	 F	 G	 H	 I	 J	 K	 L
8	26	1	4	8	15-20	24	4	24	4	1	4
 S		 T									
Ø4.0x45mm											
2	2										

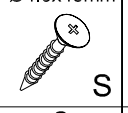
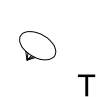


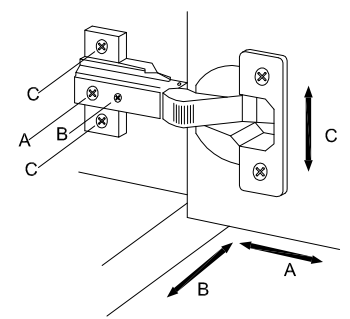
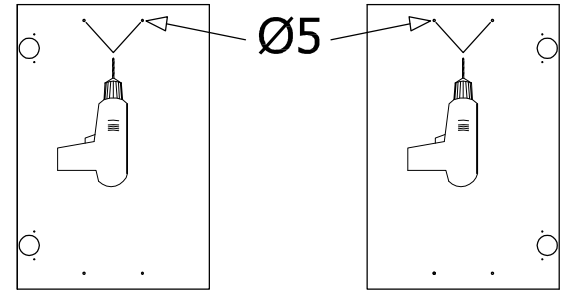
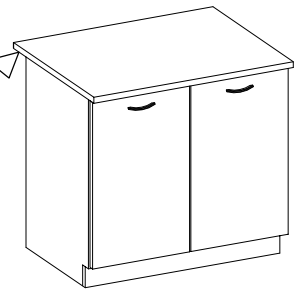
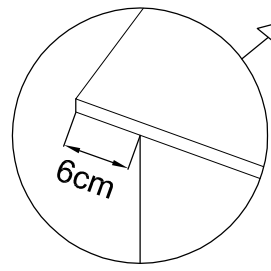
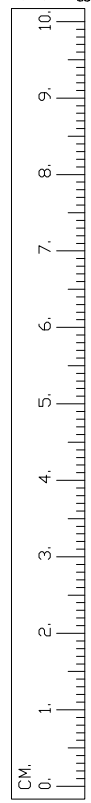
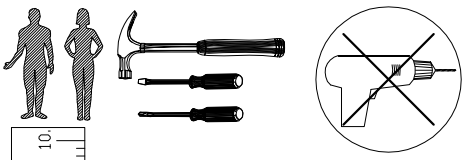
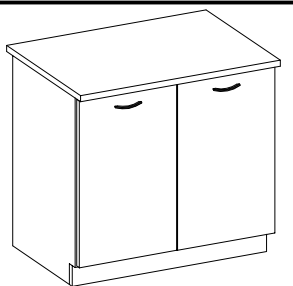
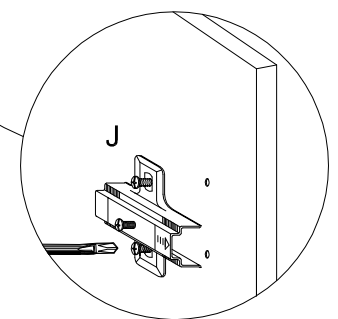
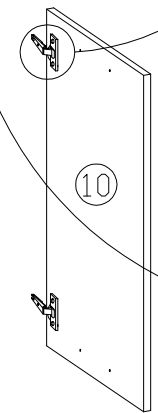
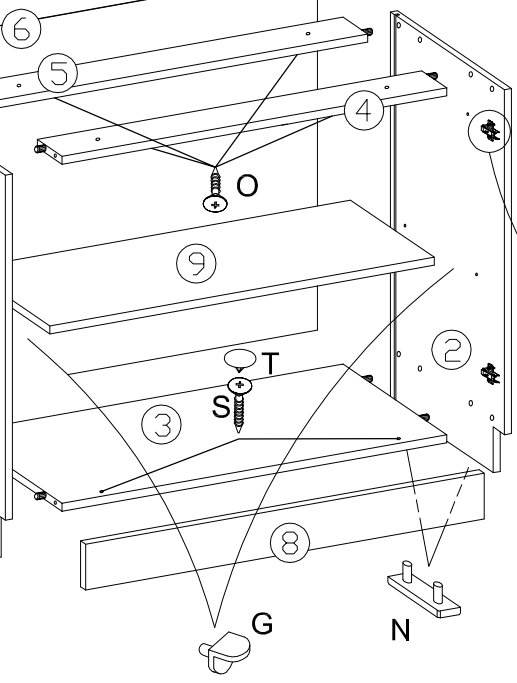
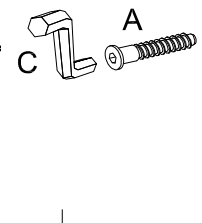
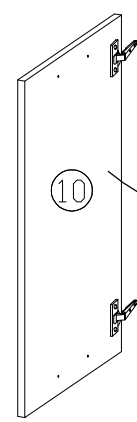
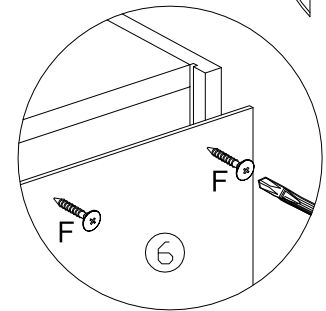
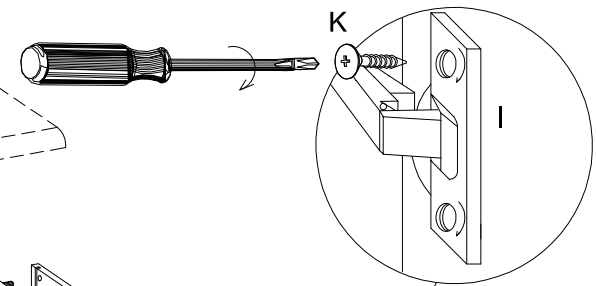
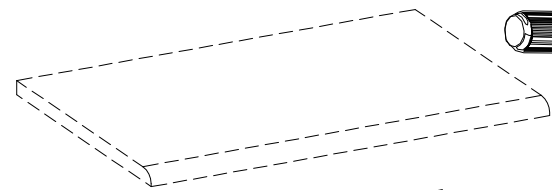
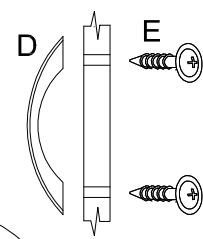
 A	 B	 C	 D	 E	 F	 G	 H	 I	 J	 K	 N	 O
8	8	1	2	4	15-20	4	1	4	4	8	4	4

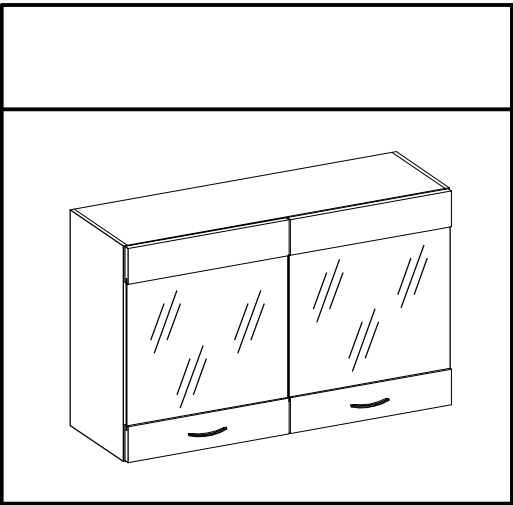
 S	 T
2	2

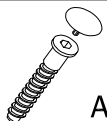
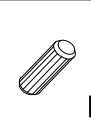
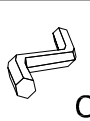





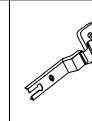
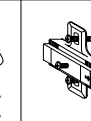
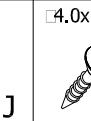
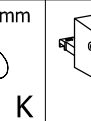
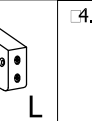



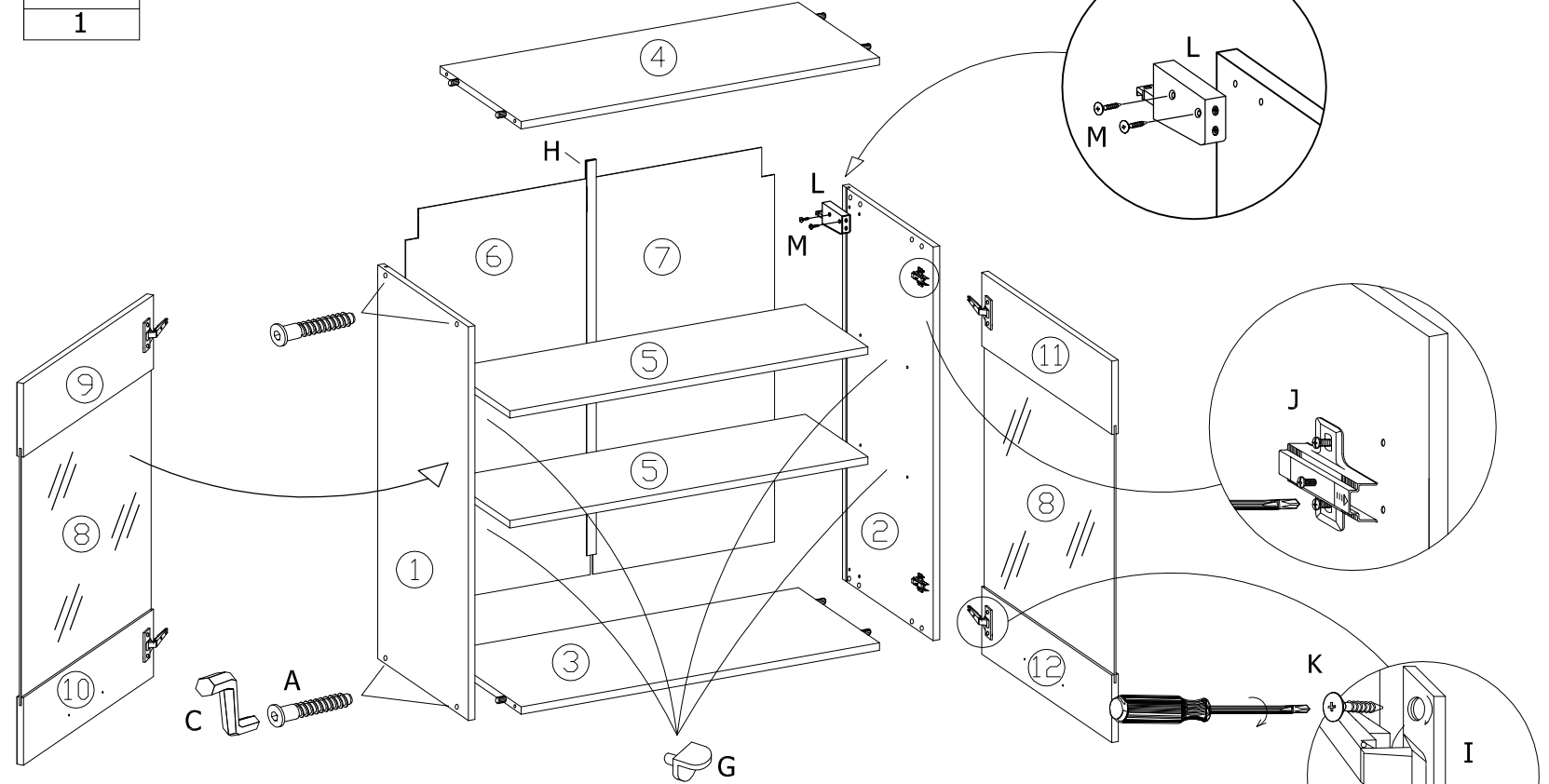
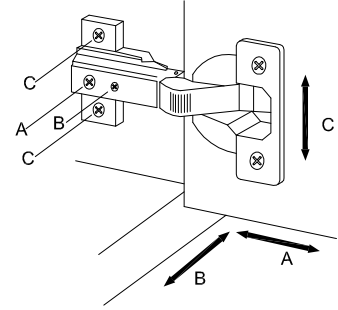
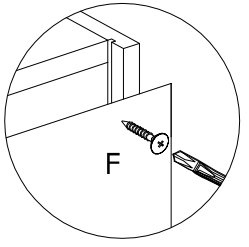
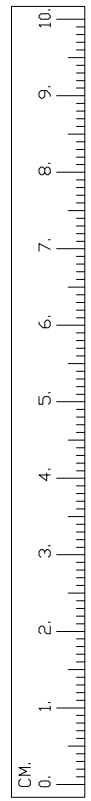
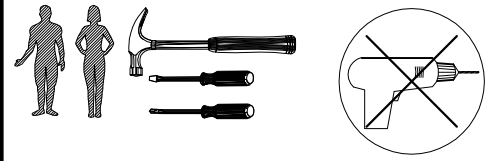
 A	 B	 C	 D	 E	 F	 G	 I	 J	 K	 N	 O
8	8	1	2	4	15-20	4	4	4	8	4	4

 S	 T
2	2

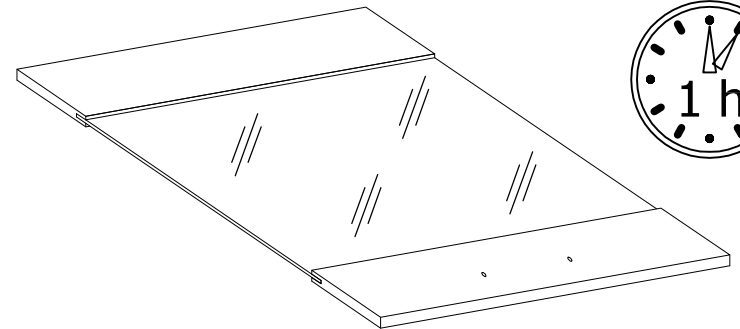
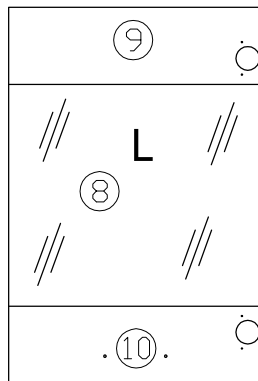
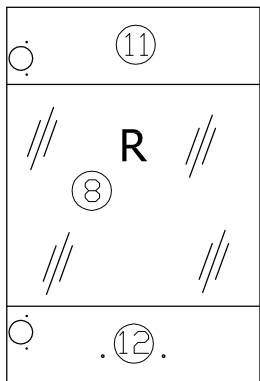
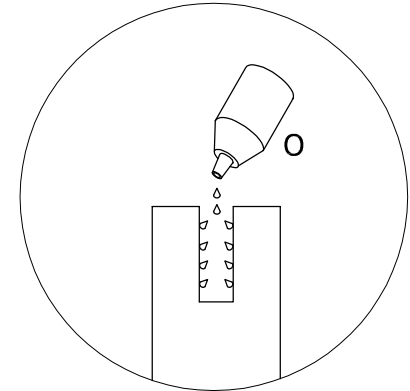
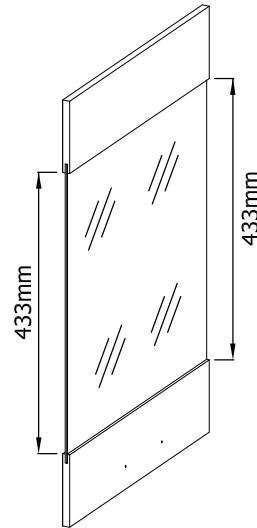
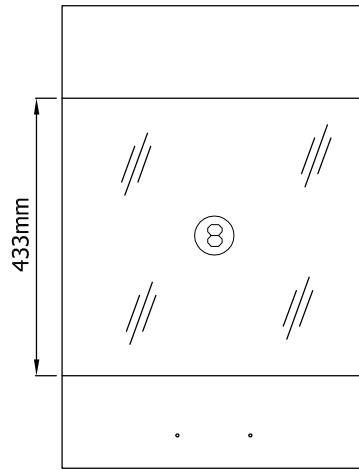
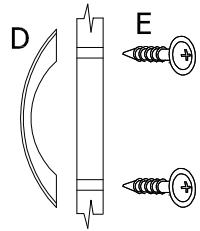
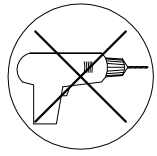
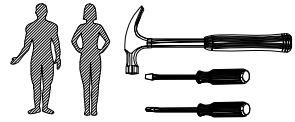
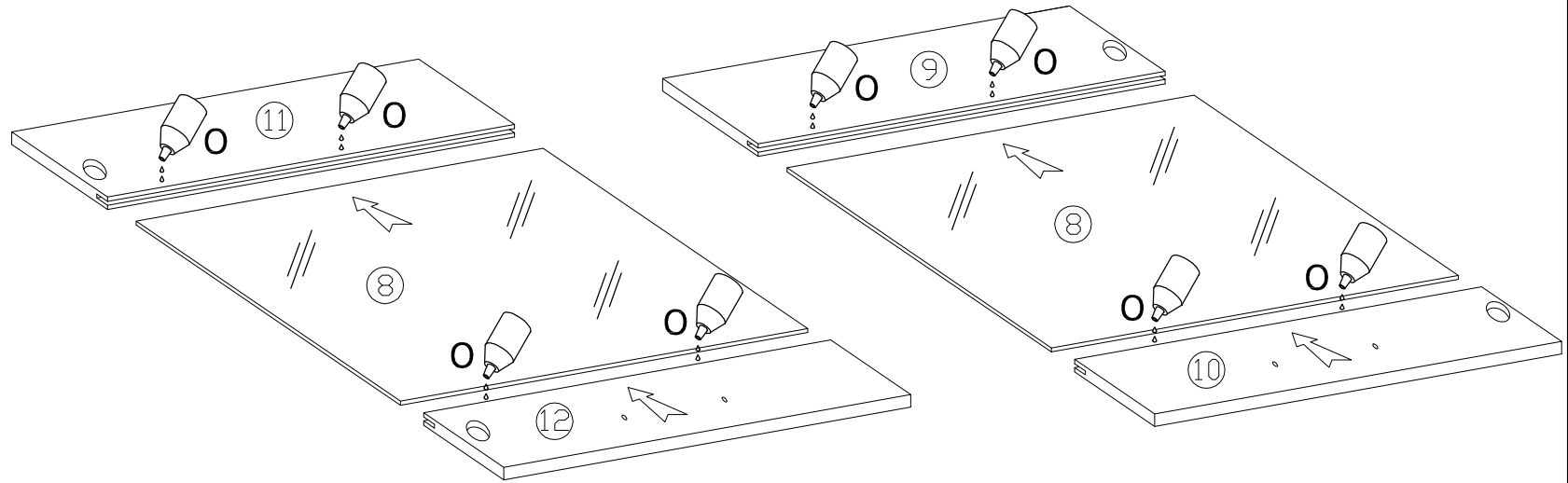
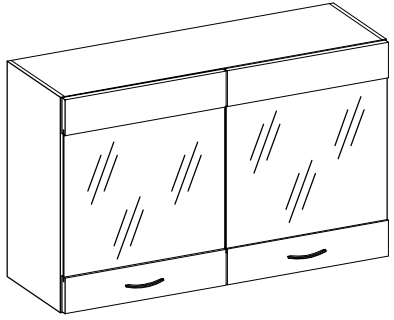


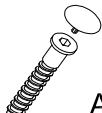
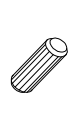
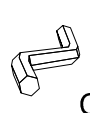




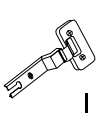
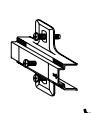

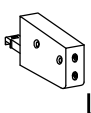



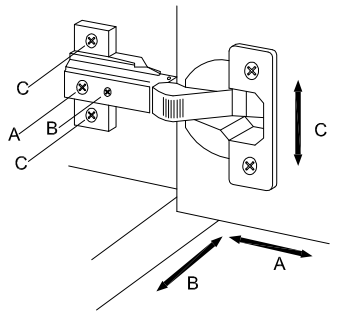
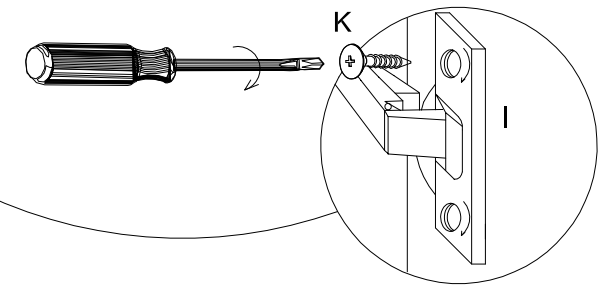
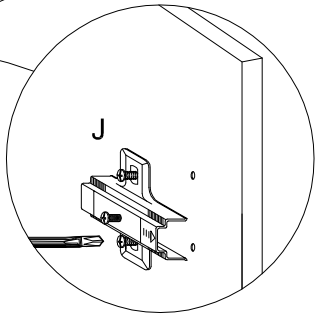
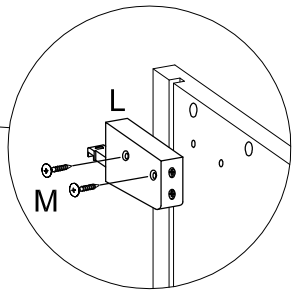
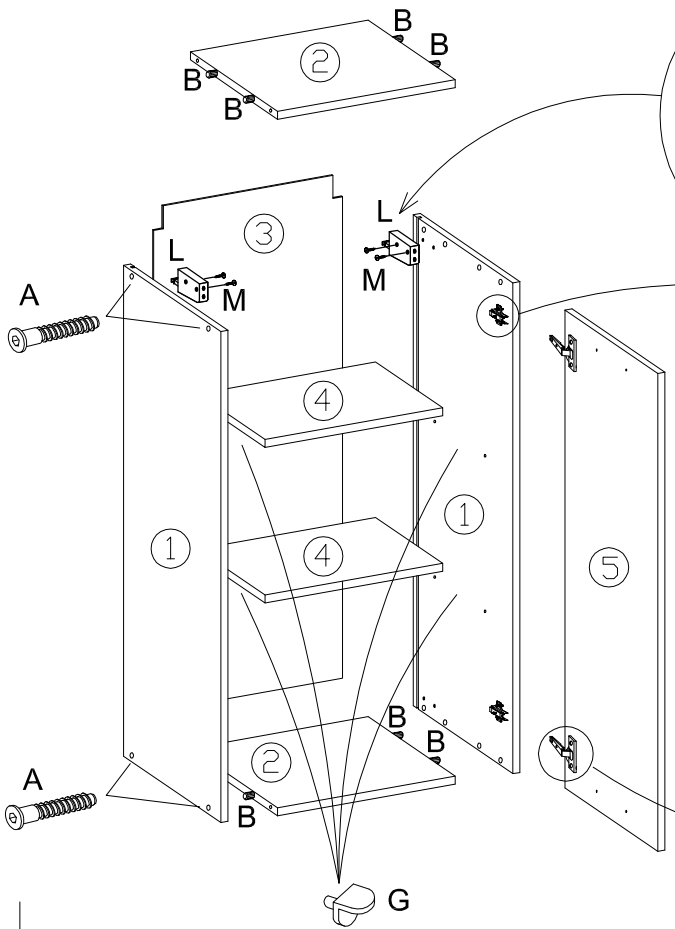
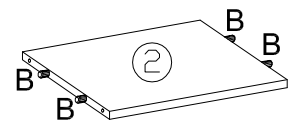
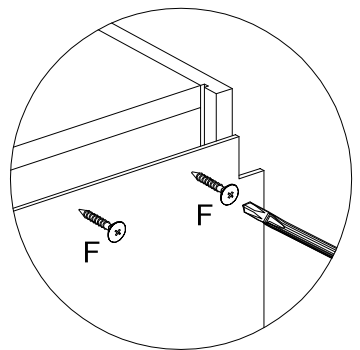
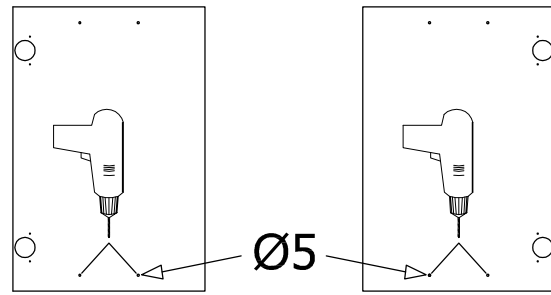
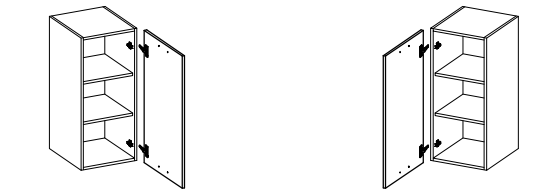
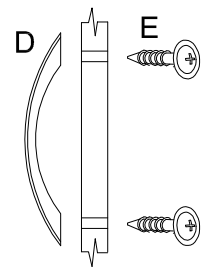
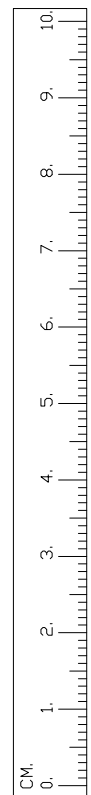
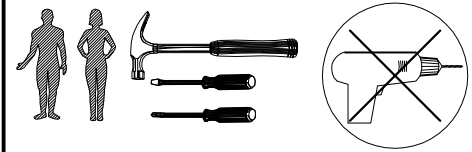
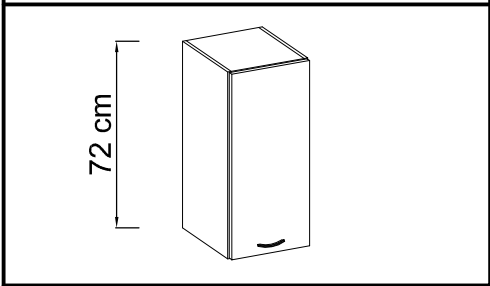
 A	 B	 C	 D	 E	 F	 G	 H	 I	 J	 K	 L	 M
8	8	1	2	4	15-20	8	1	4	4	8	2	4
0,05												
 O												
1												

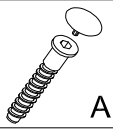
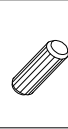






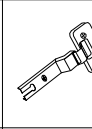
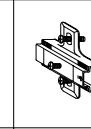

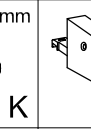



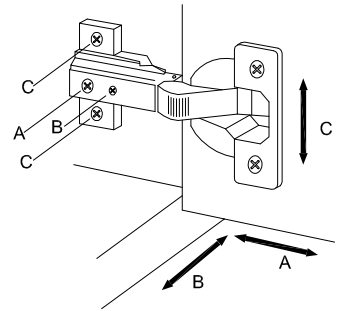
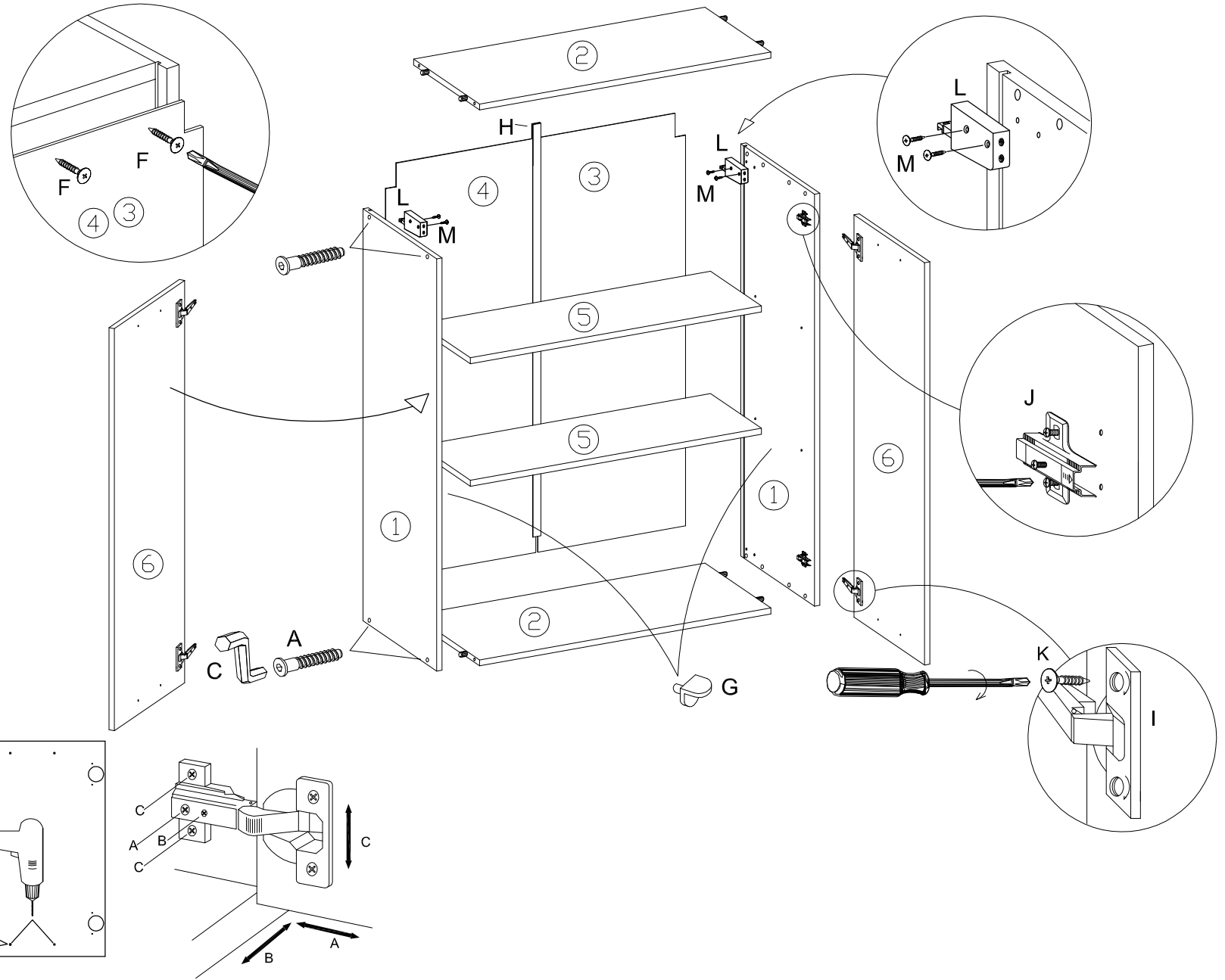
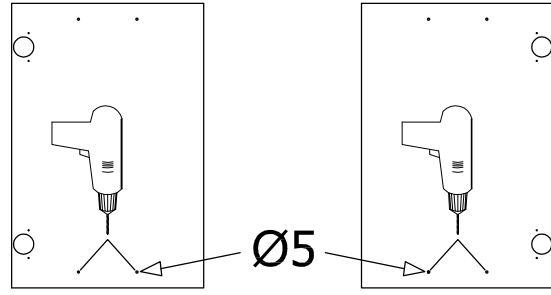
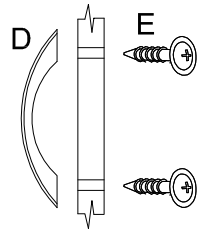
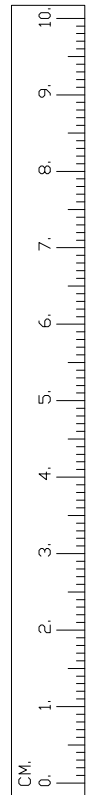
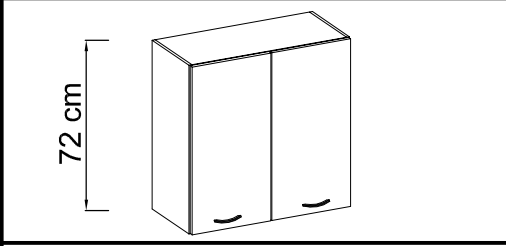
# 80 GS-72 2F



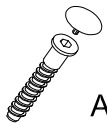
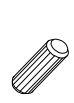
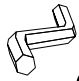




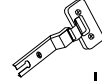
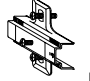

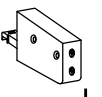
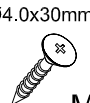
											
8	8	1	1	Ø4.0x30mm 2	Ø3.0x20mm 10-15	8	2	2	Ø3.5x13mm 4	2	Ø4.0x30mm 4



												
A	B	C	D	E	F	G	H	I	J	K	L	M
8	8	1	2	4	10-15	8	1	4	4	8	2	4





											
A	B	C	D	E	F	G	I	J	K	L	M
8	8	1	2	4	10-15	8	4	4	8	2	4

