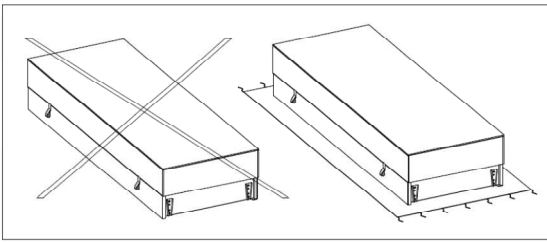
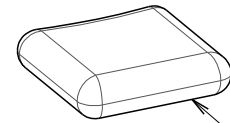
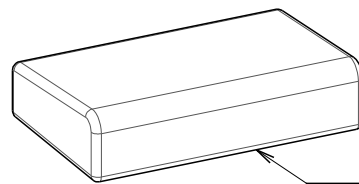
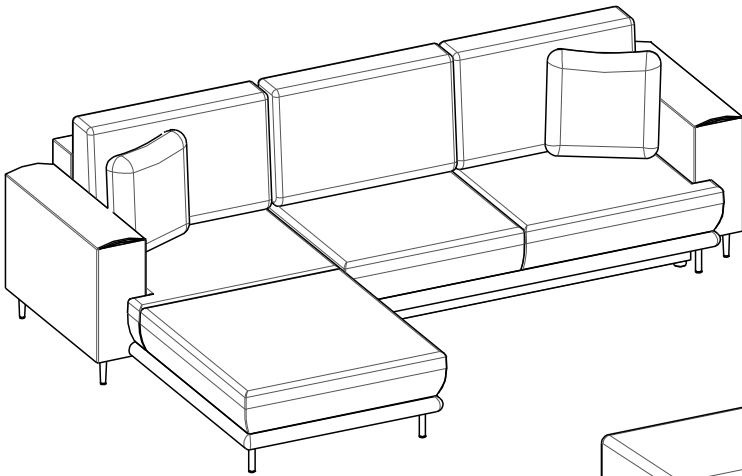


40min 1/13



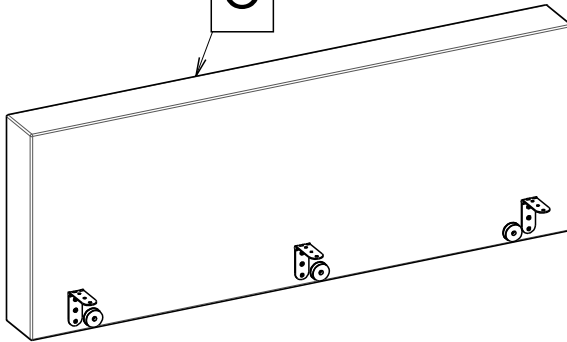
O	1x
K	1x
L	1x
B	1x
P1	3x
P2	2x



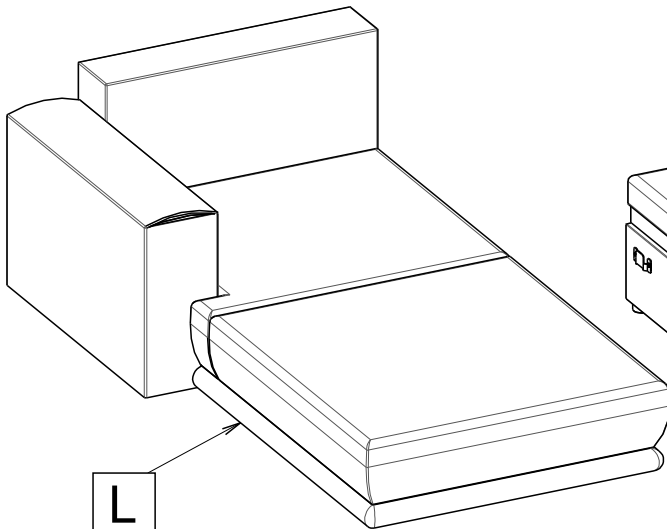
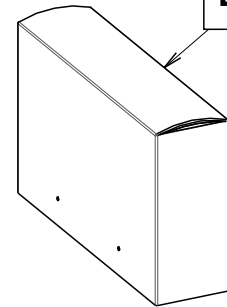
P2

P1

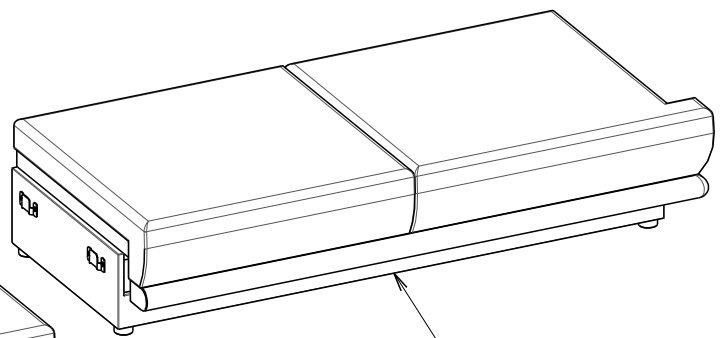
O



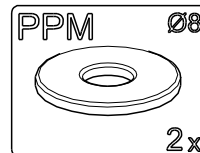
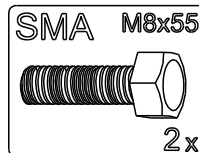
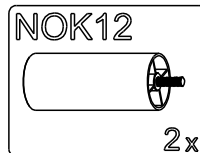
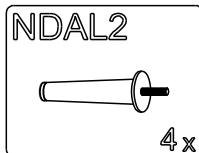
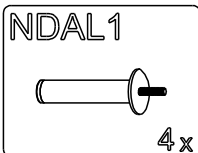
B

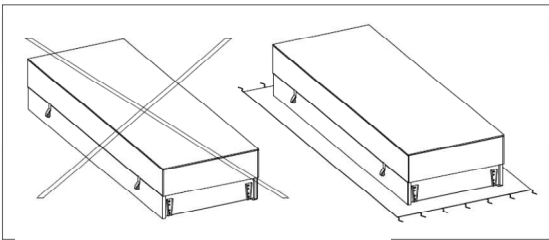


L

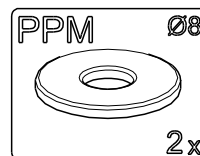
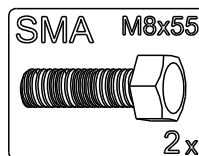
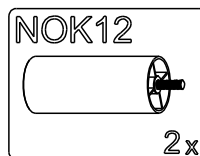
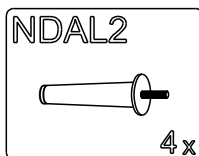
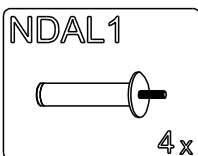
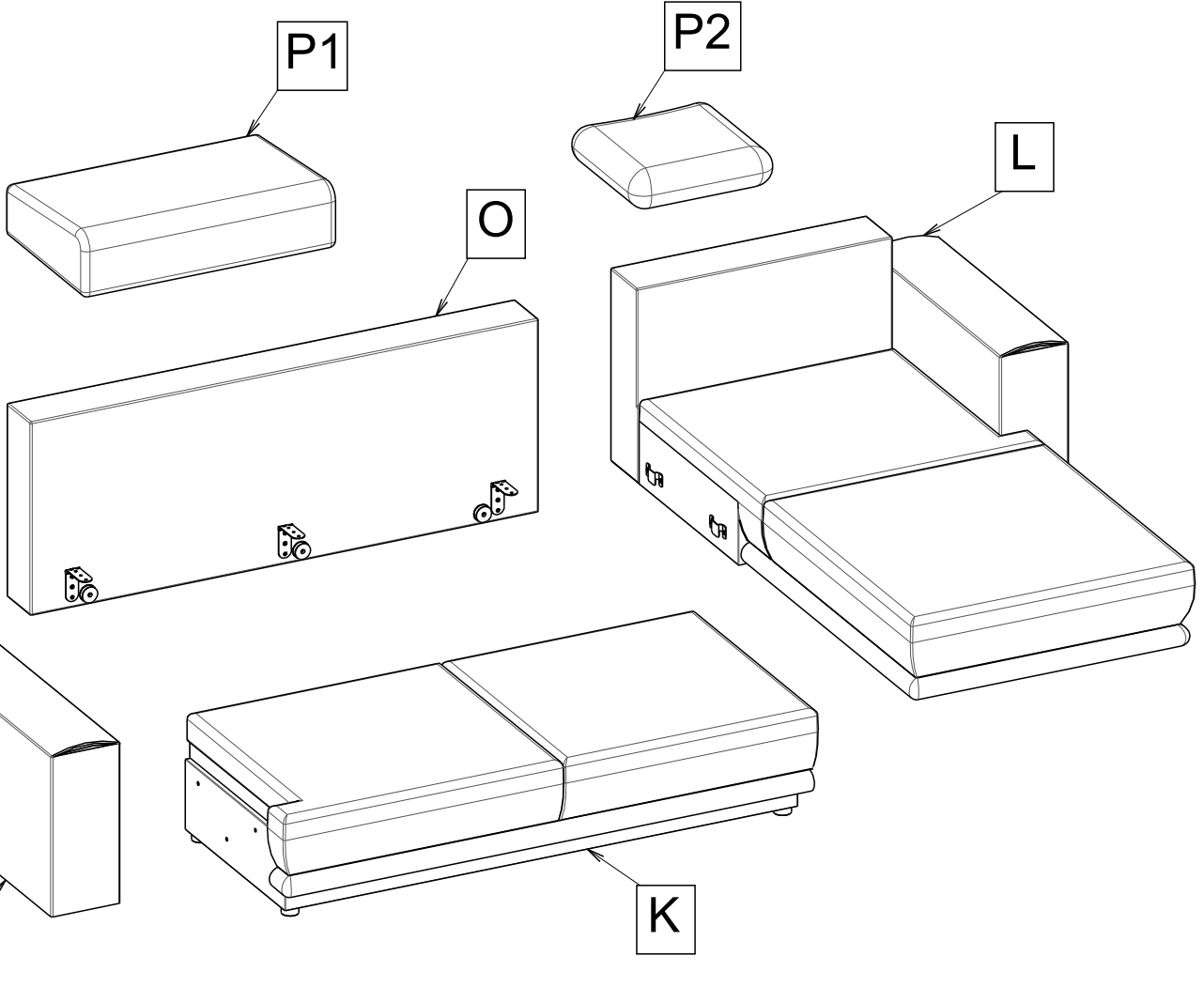
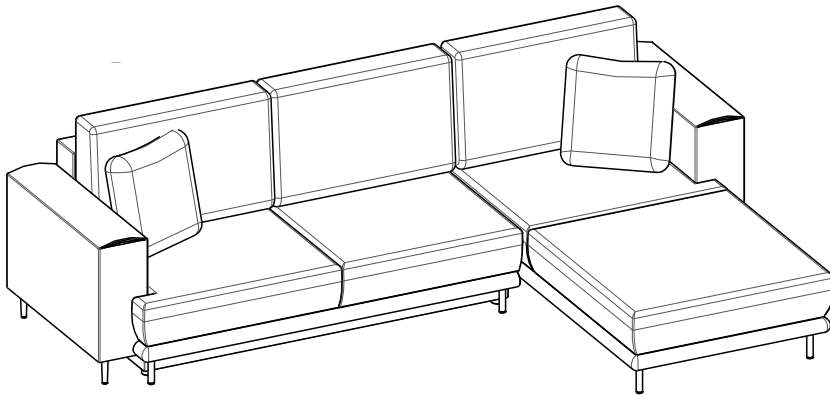


K

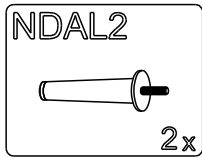




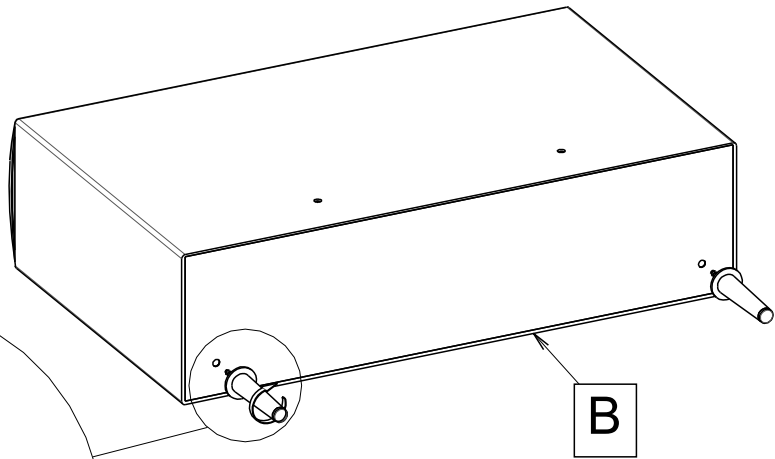
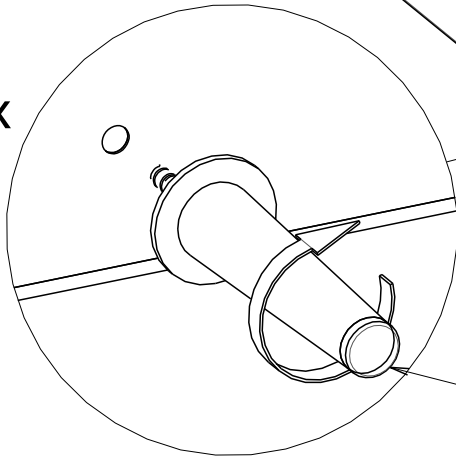
O	1x
K	1x
L	1x
B	1x
P1	3x
P2	2x



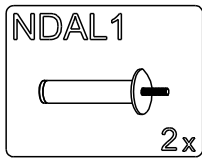
1



2x

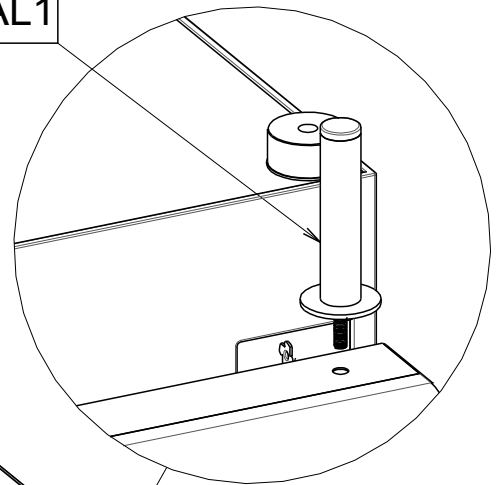


2

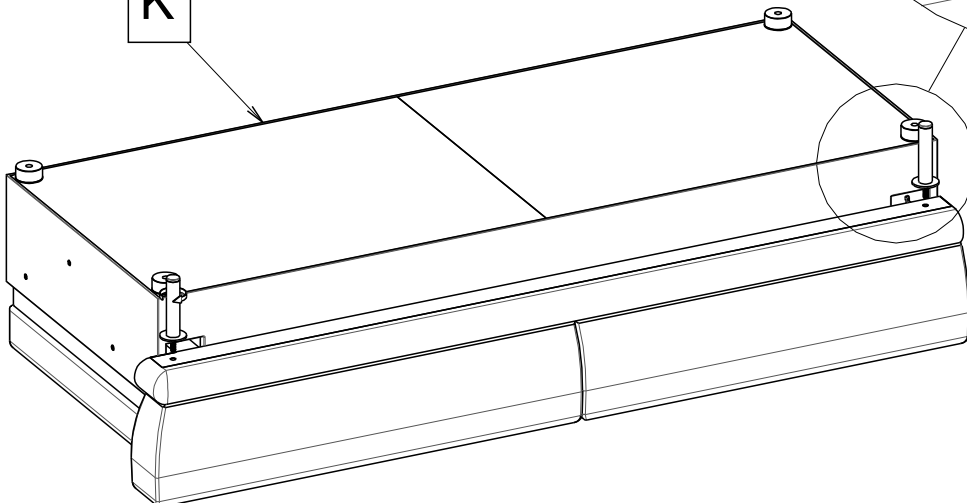


NDAL1

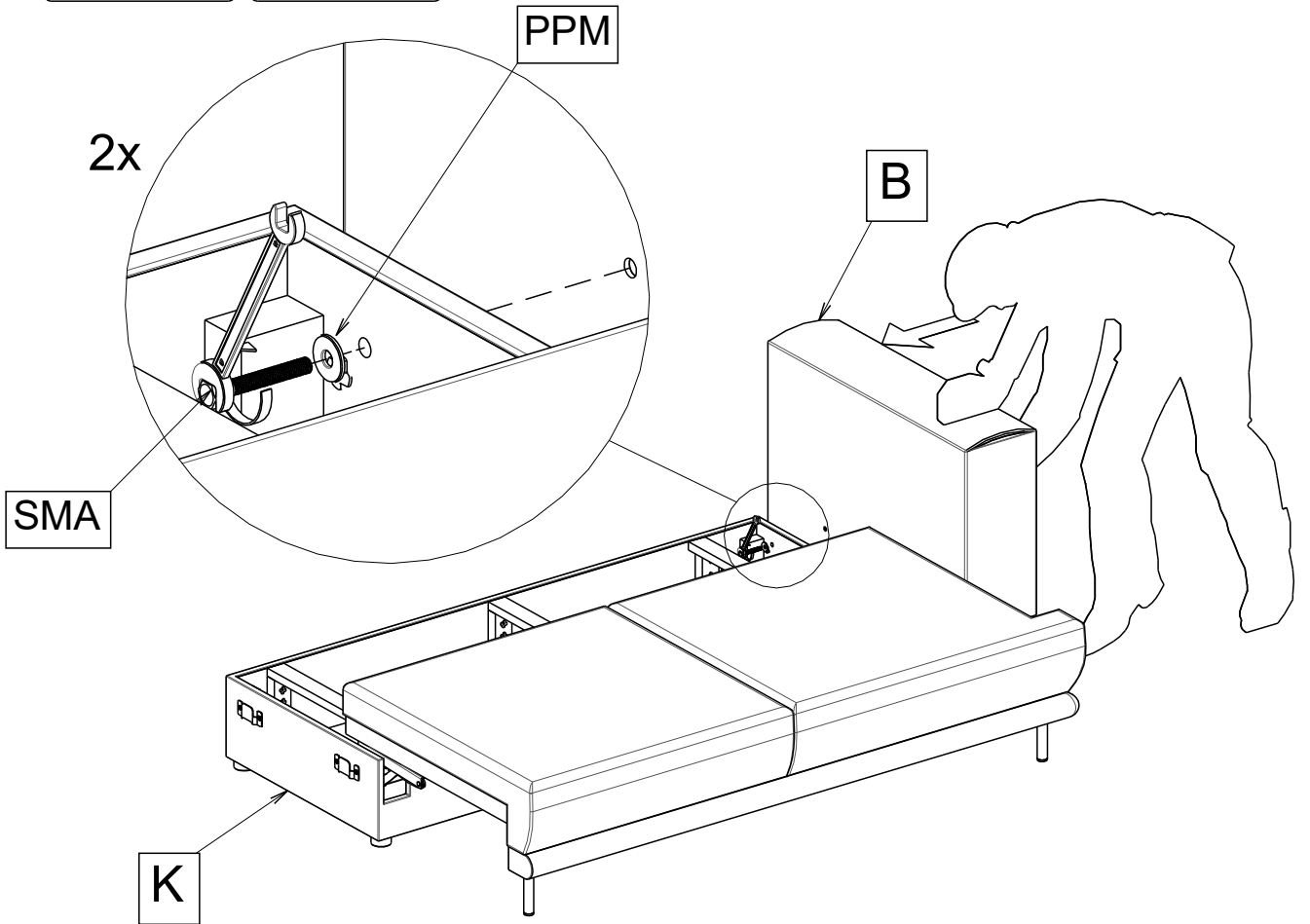
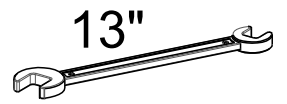
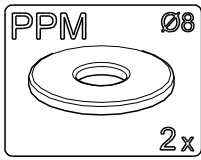
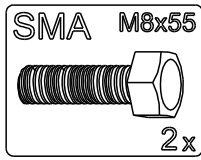
2x



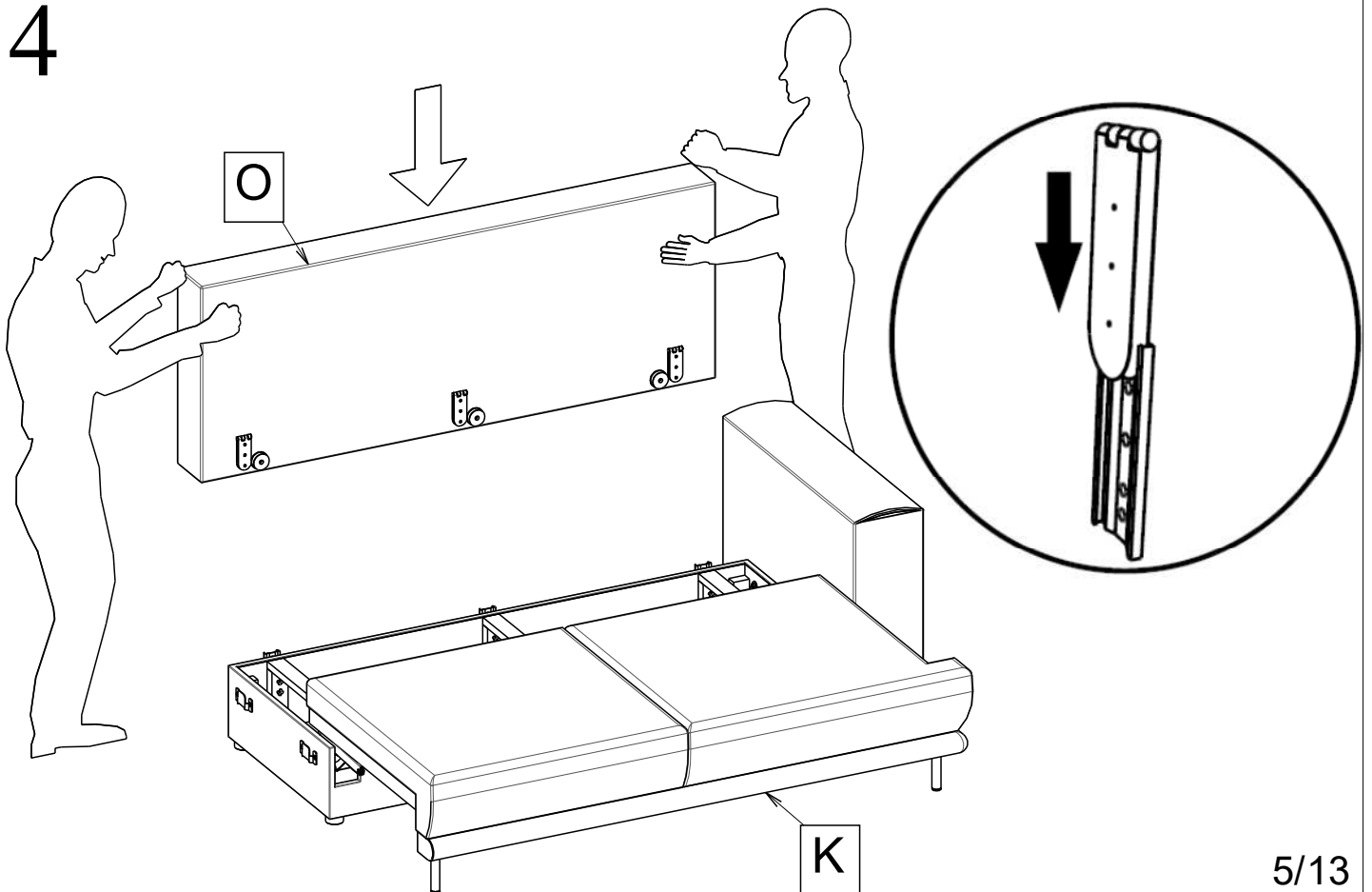
K



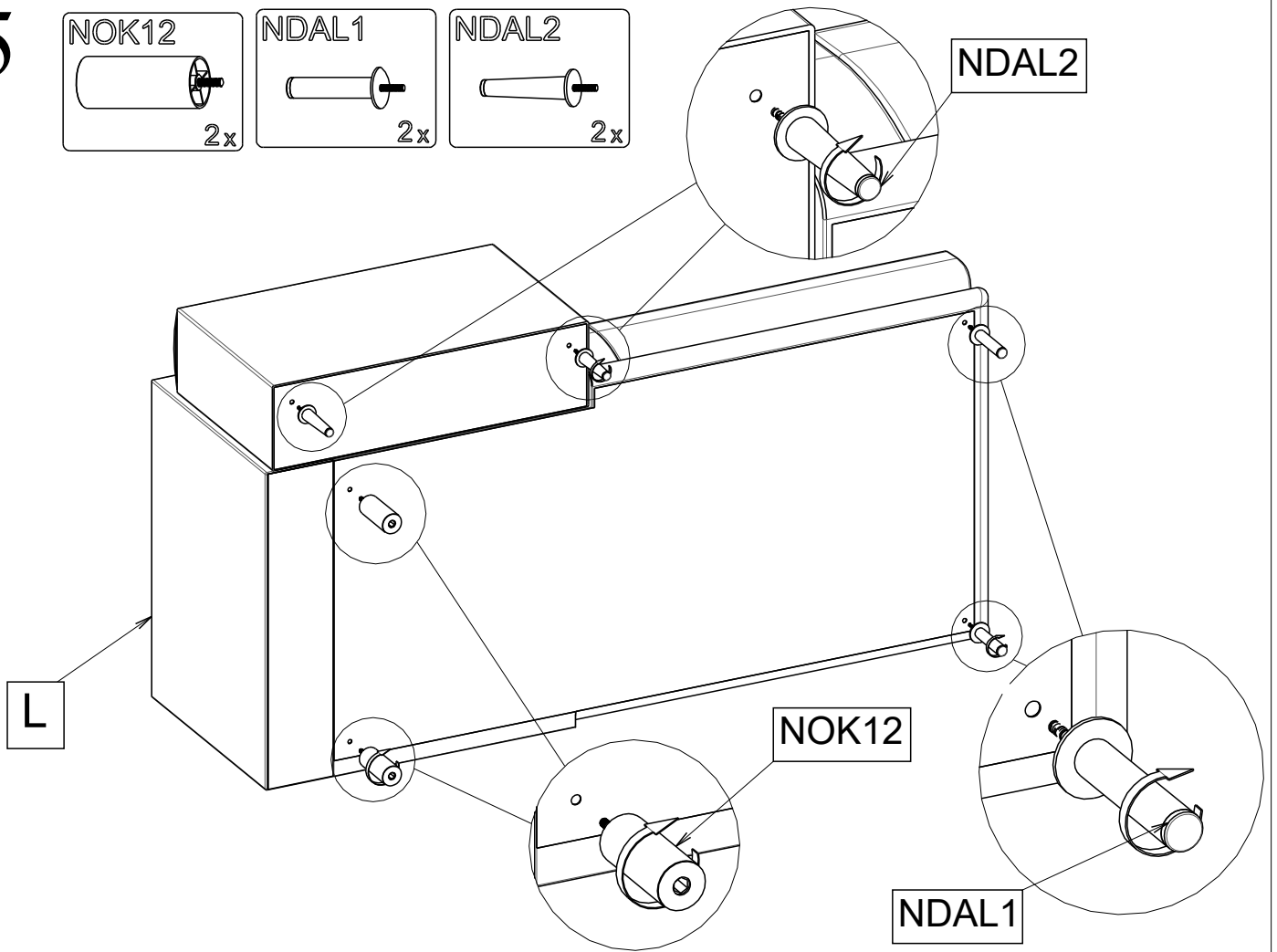
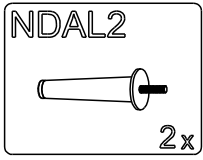
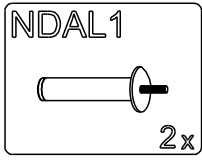
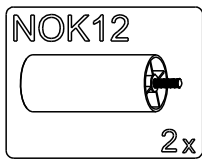
3



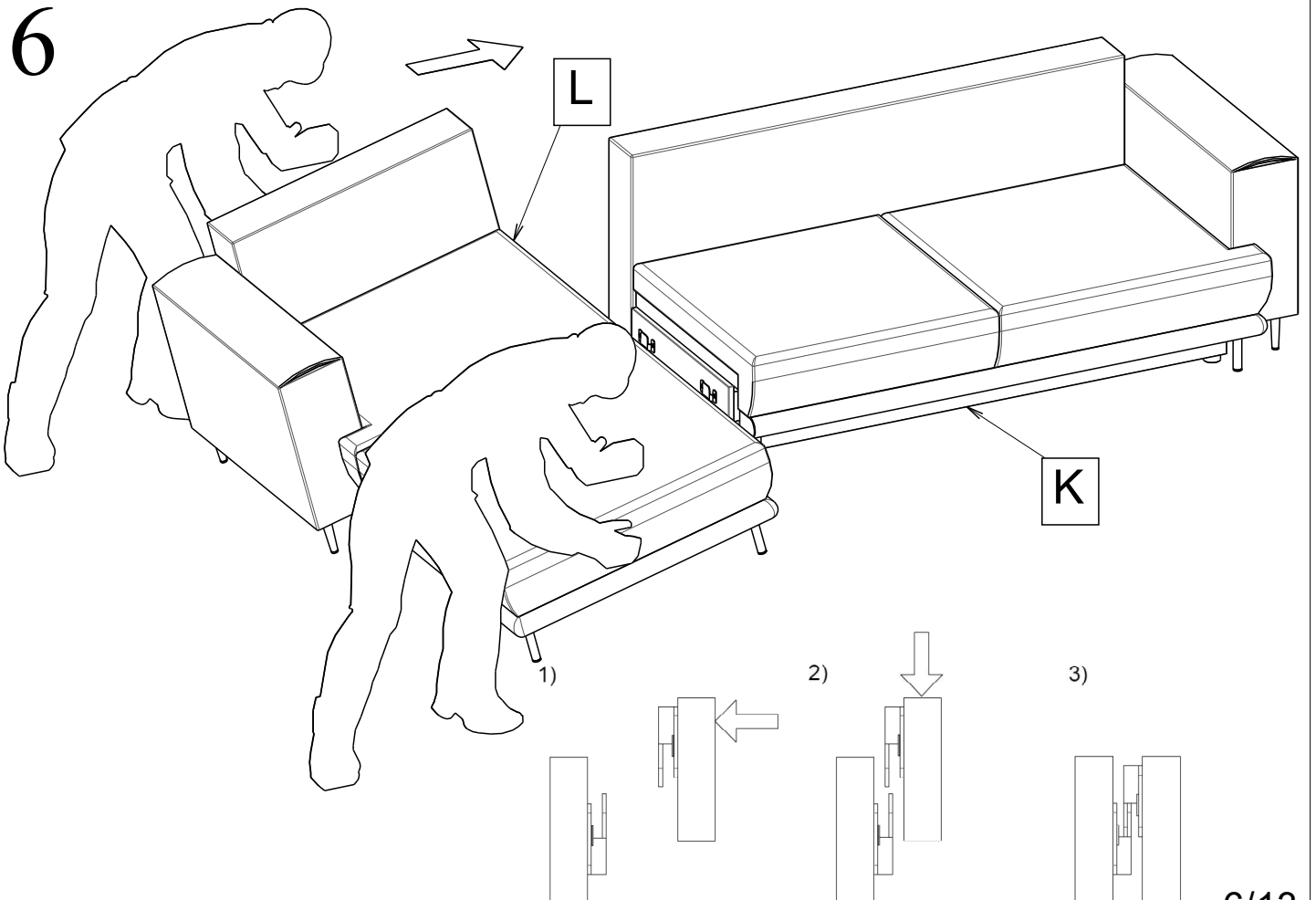
4



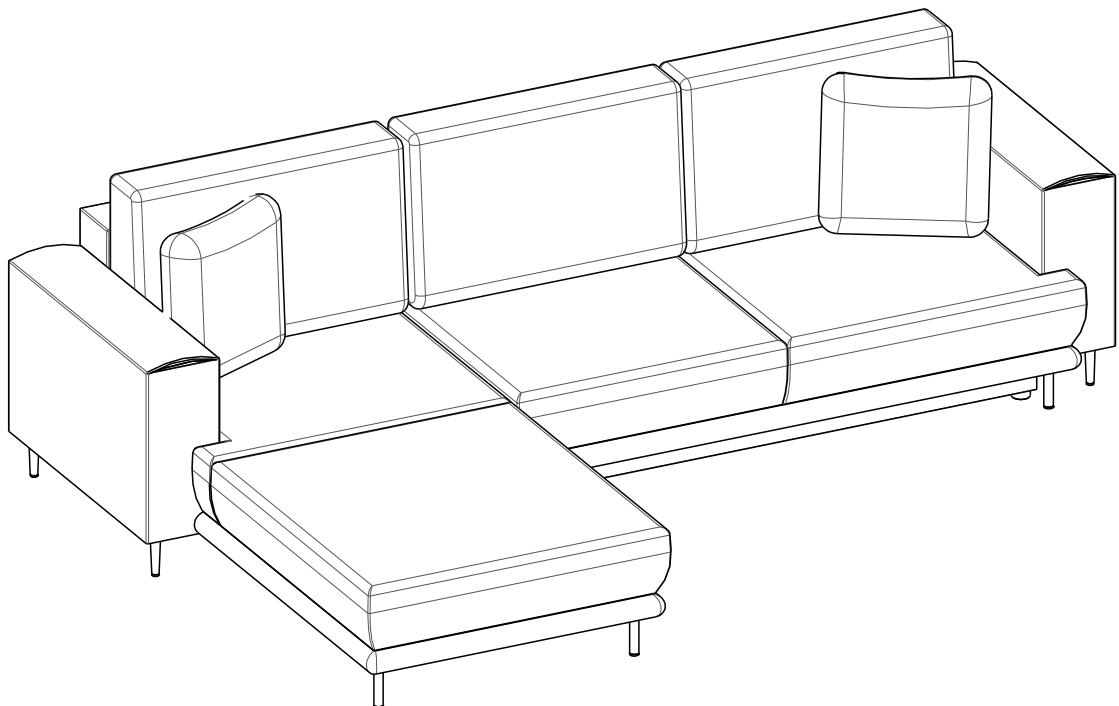
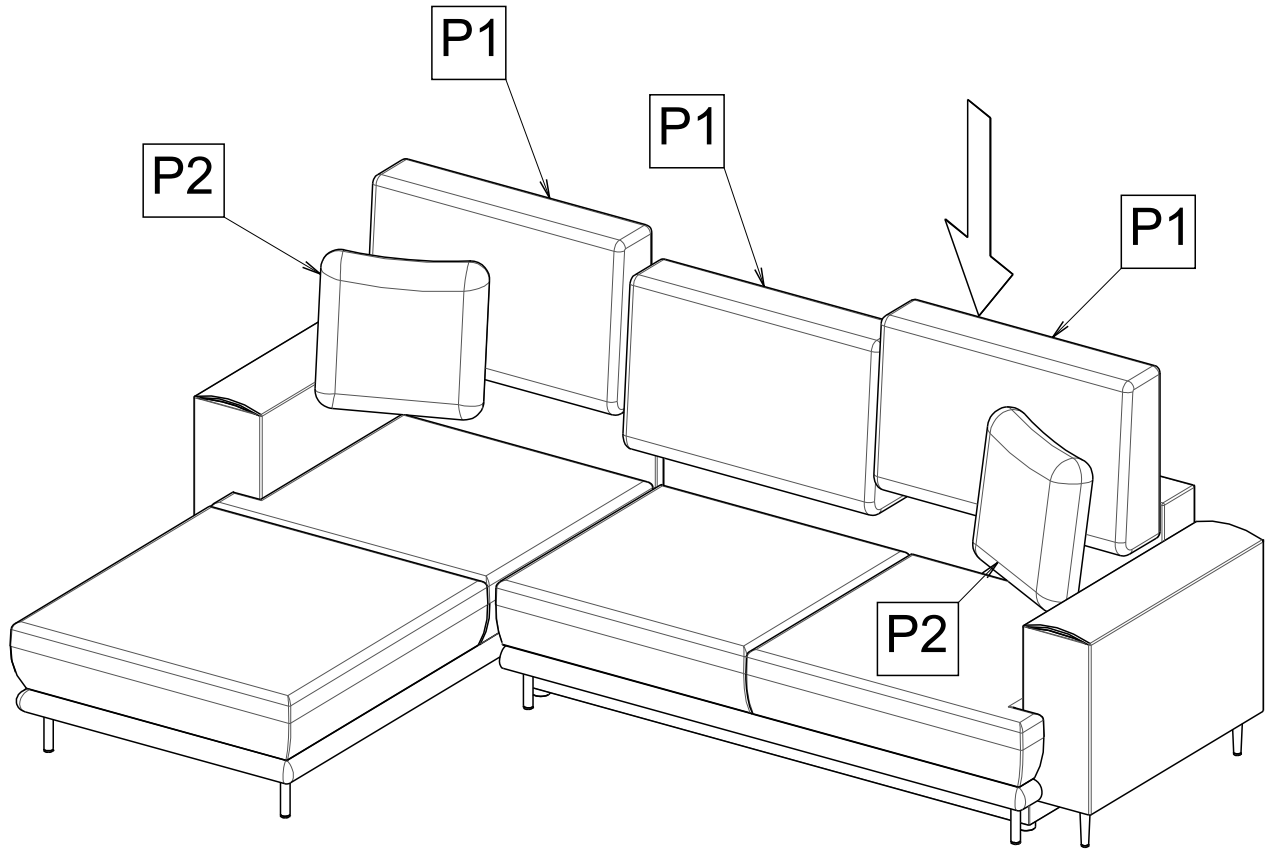
5



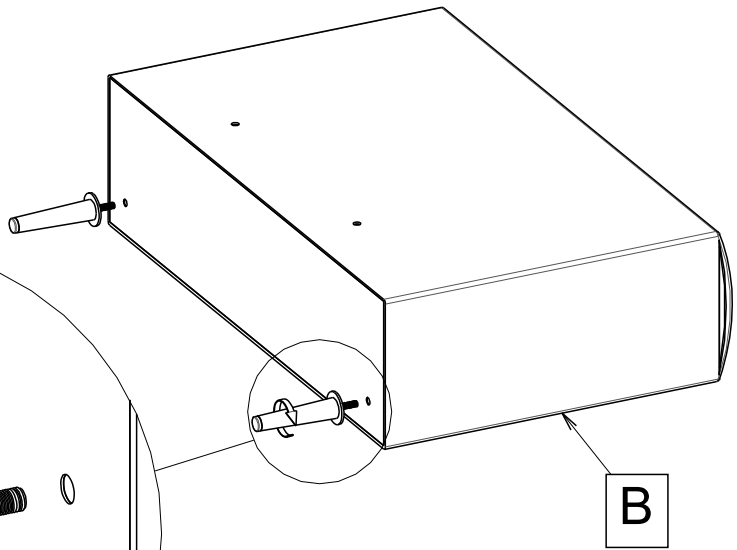
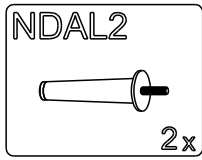
6



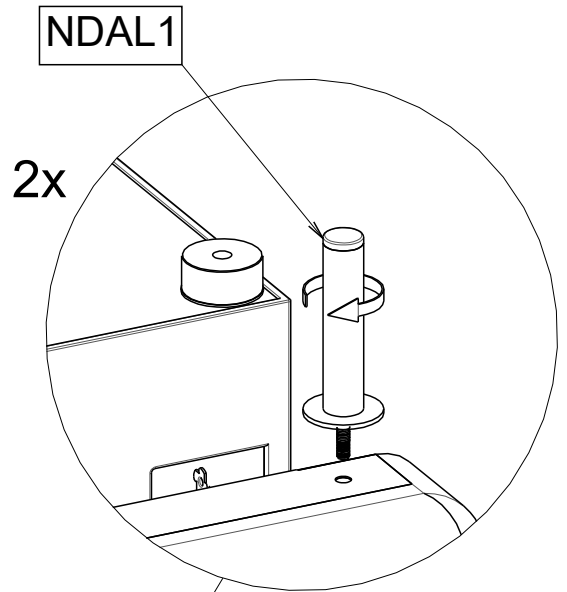
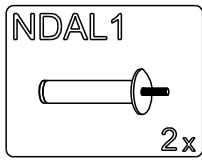
7



1

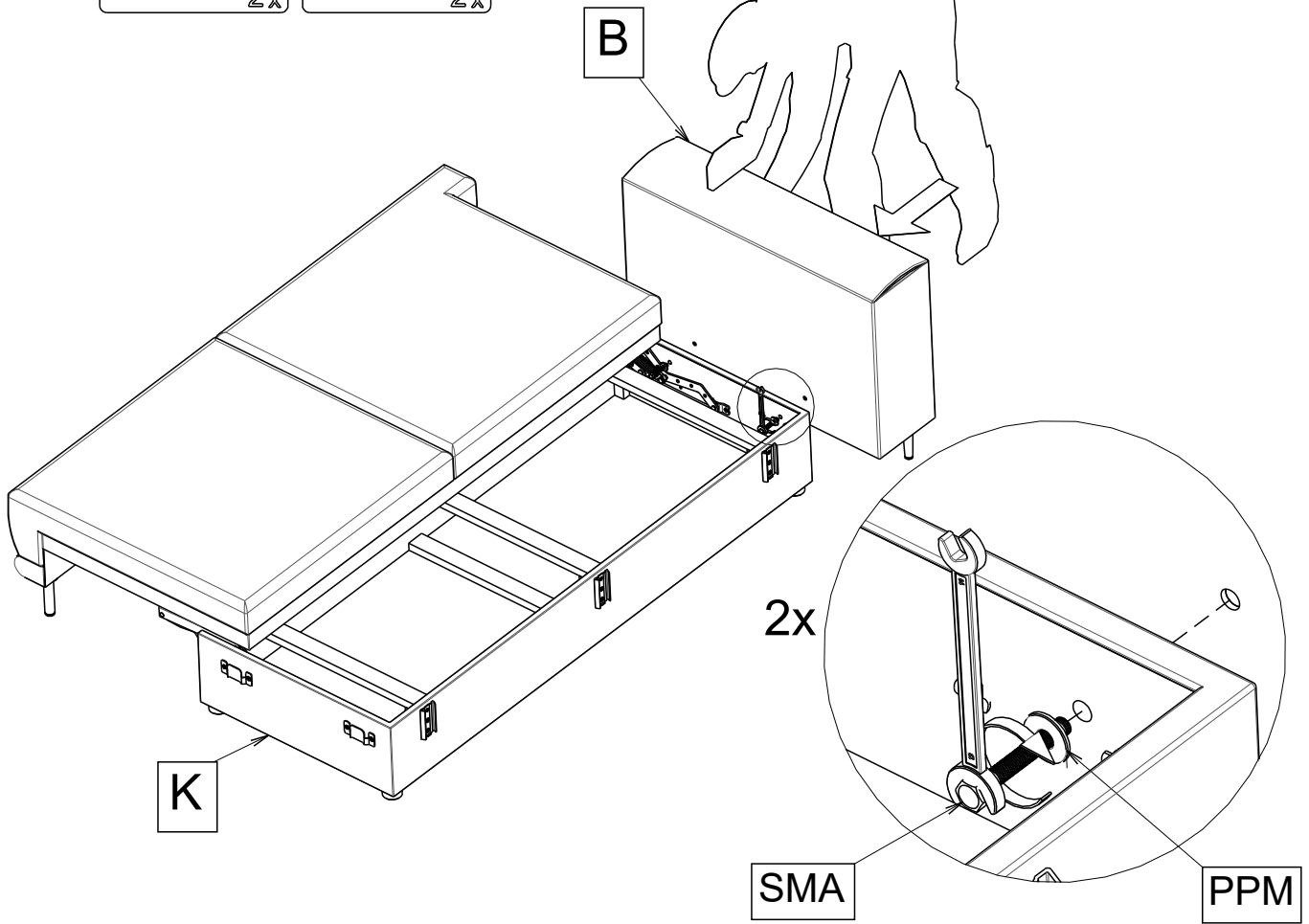
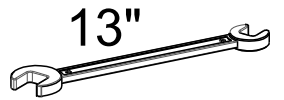
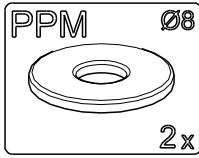
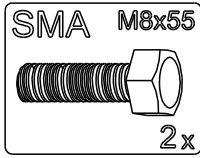


2

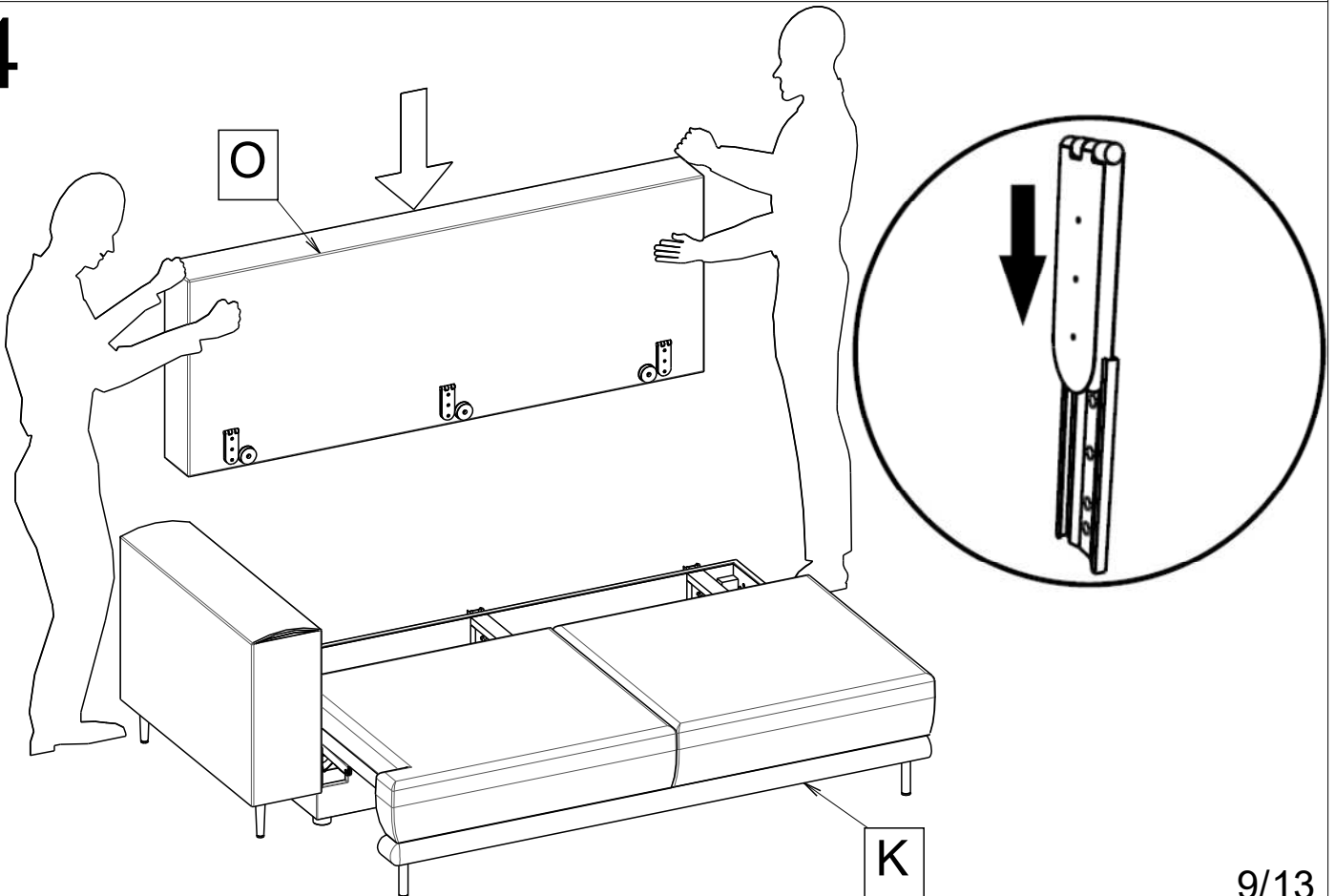




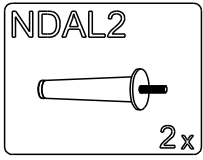
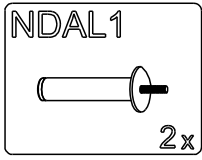
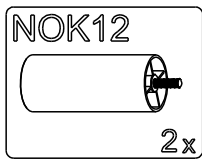
3



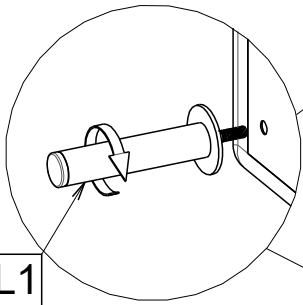
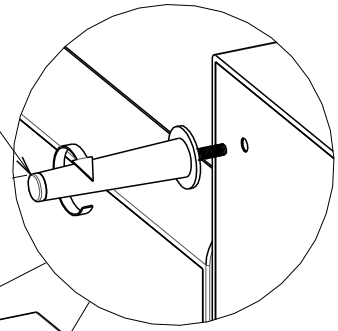
4



5

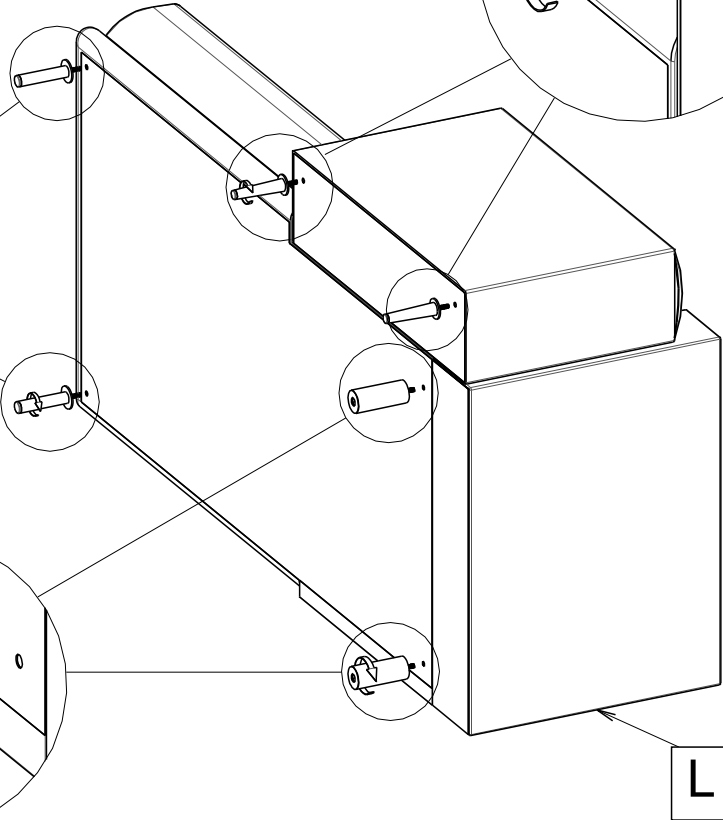
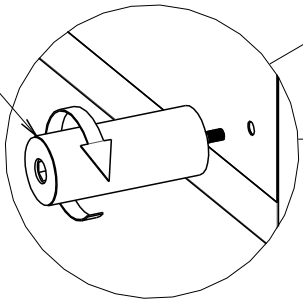


NDAL2



NDAL1

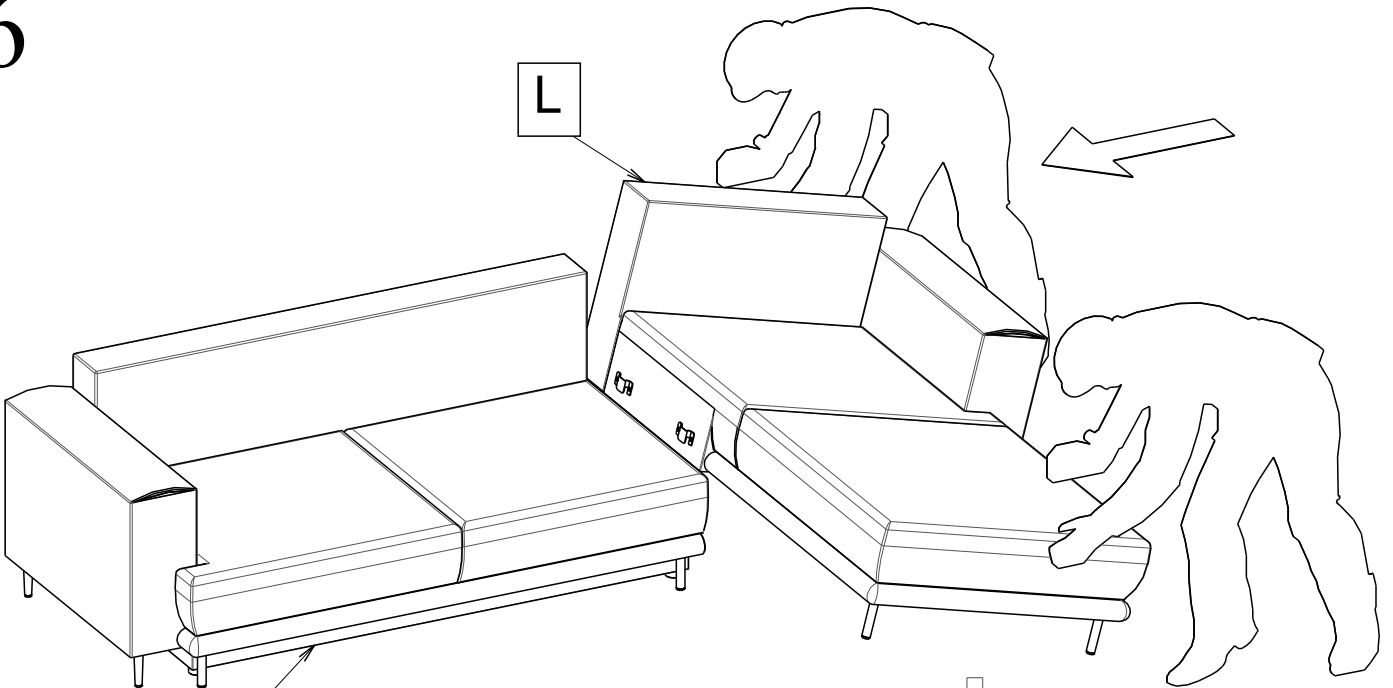
NOK12



L

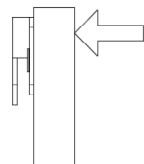
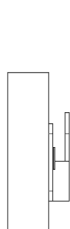
6

L

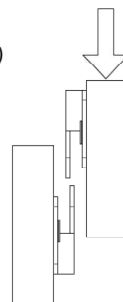


K

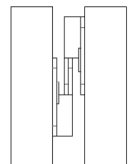
1)



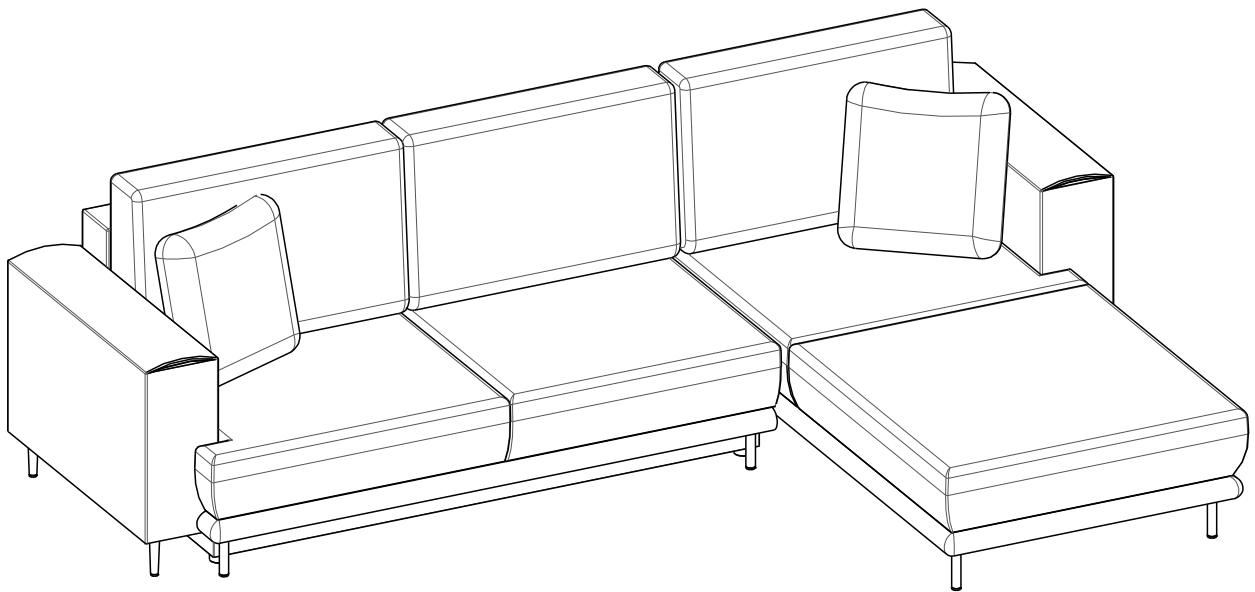
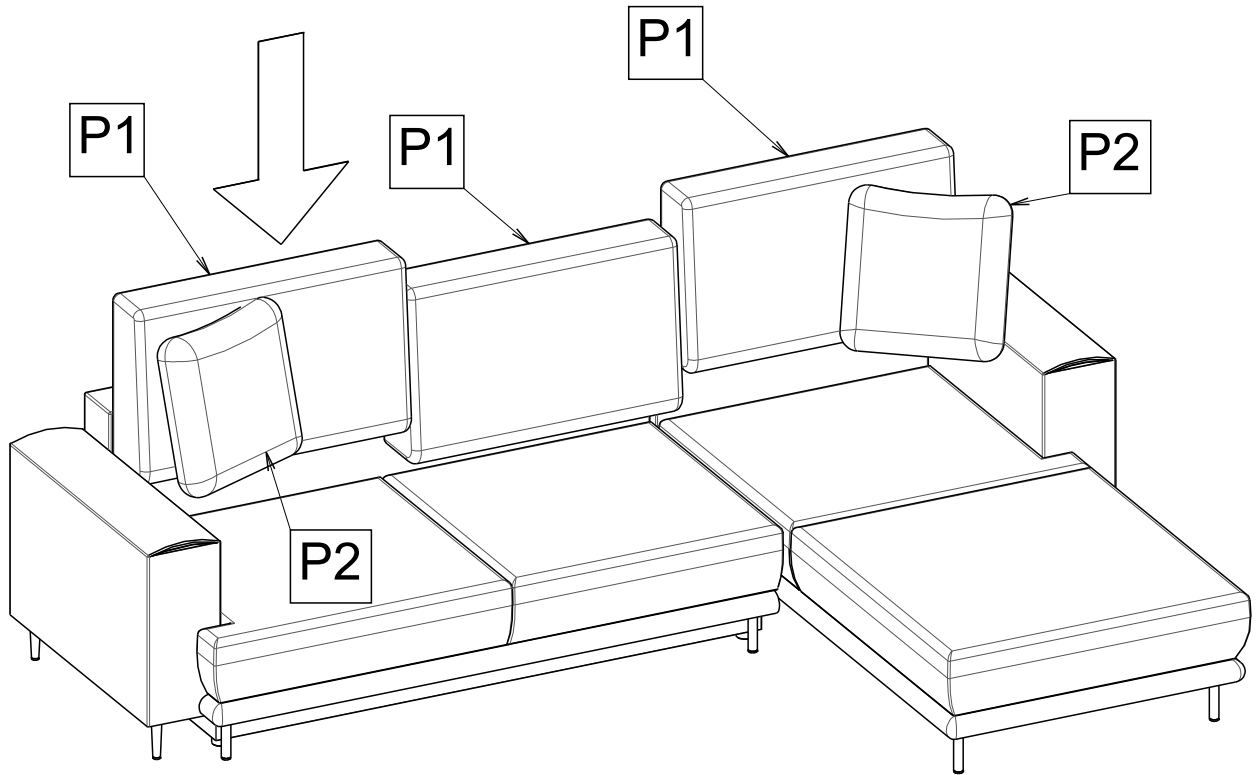
2)



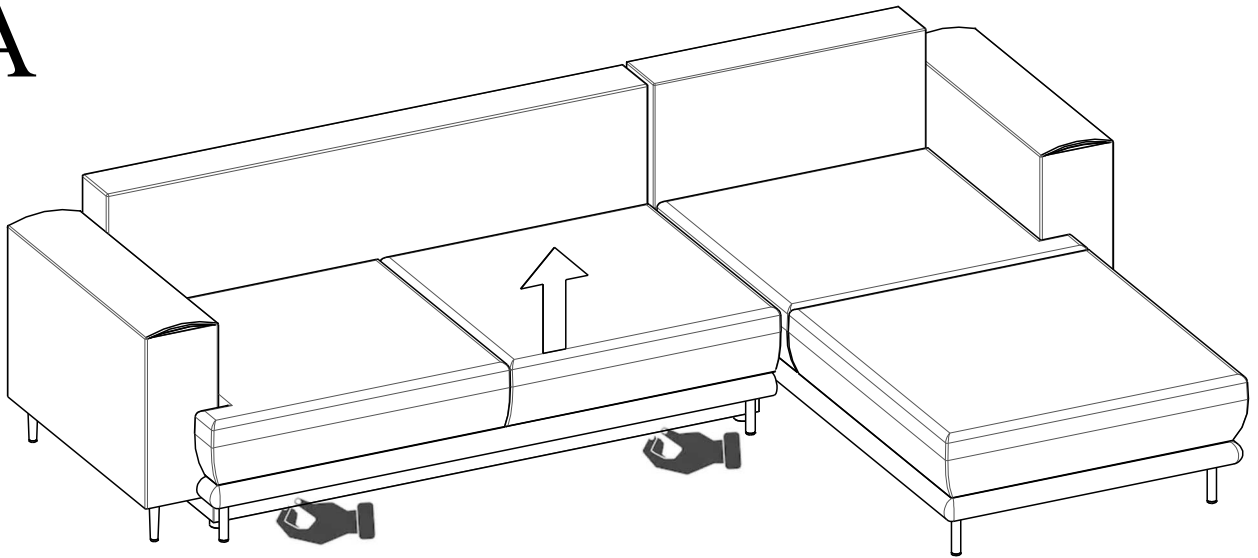
3)



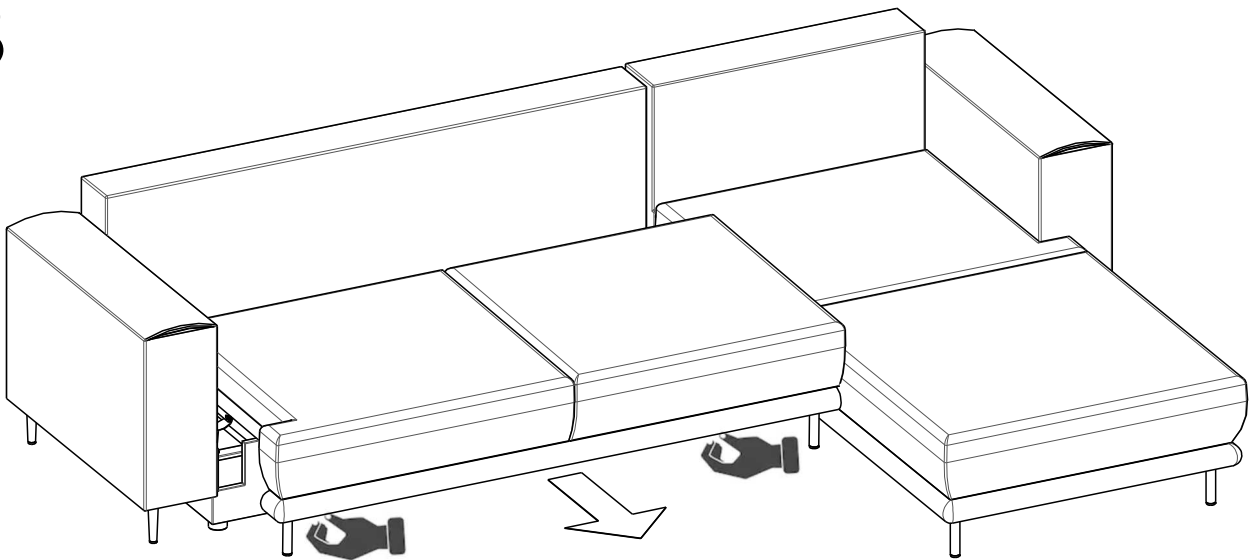
7



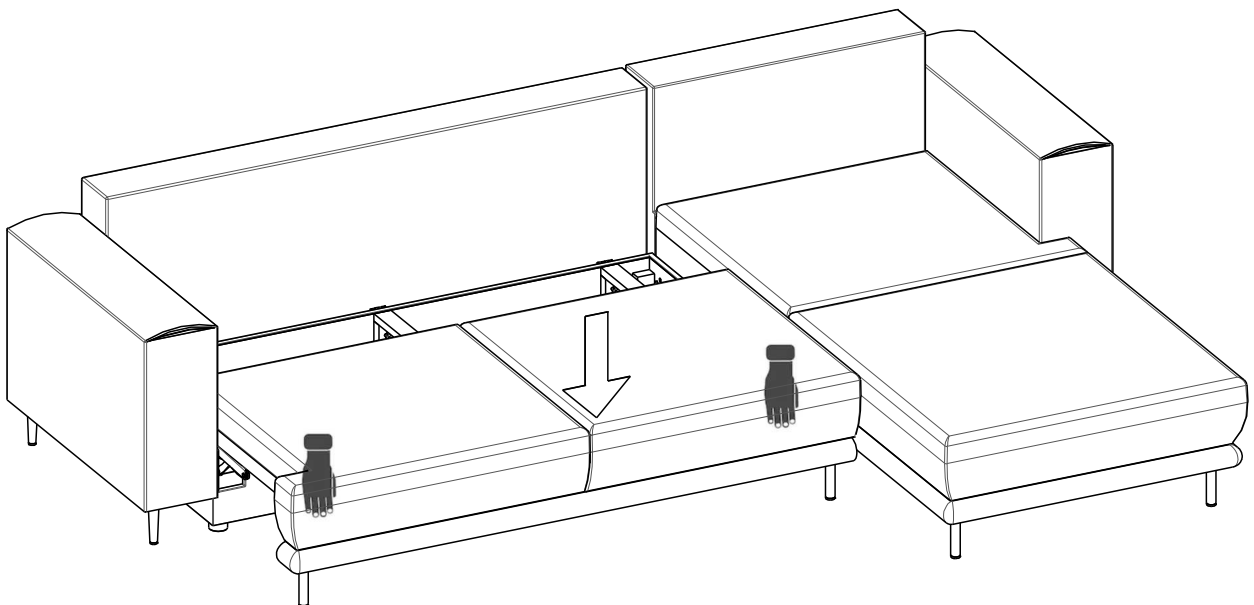
A



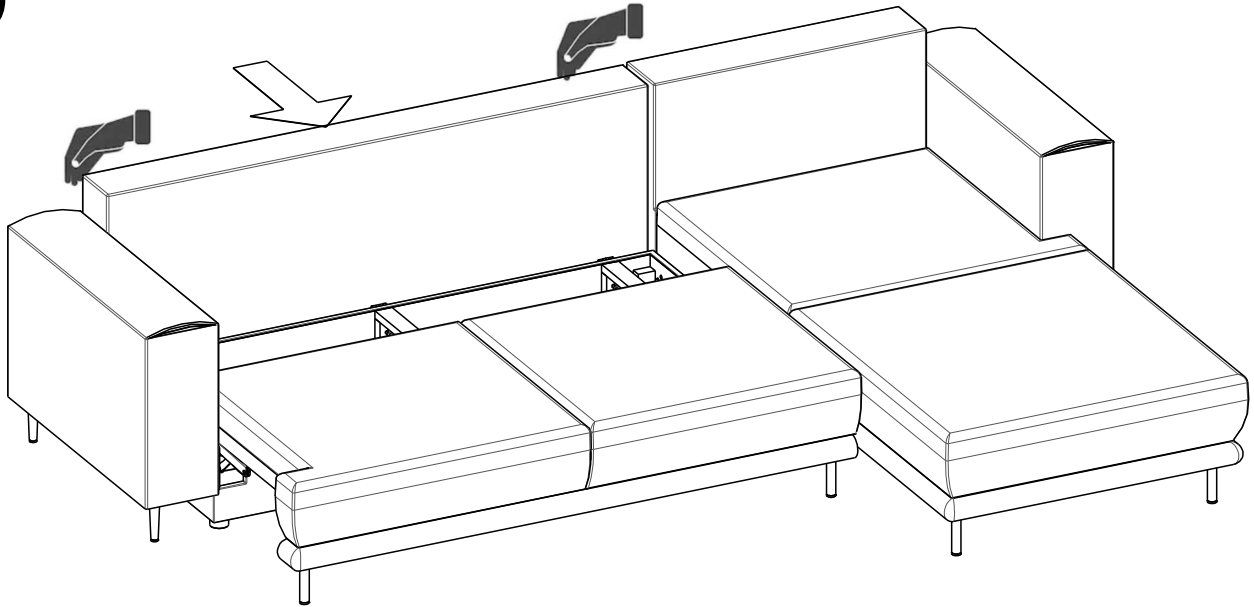
B



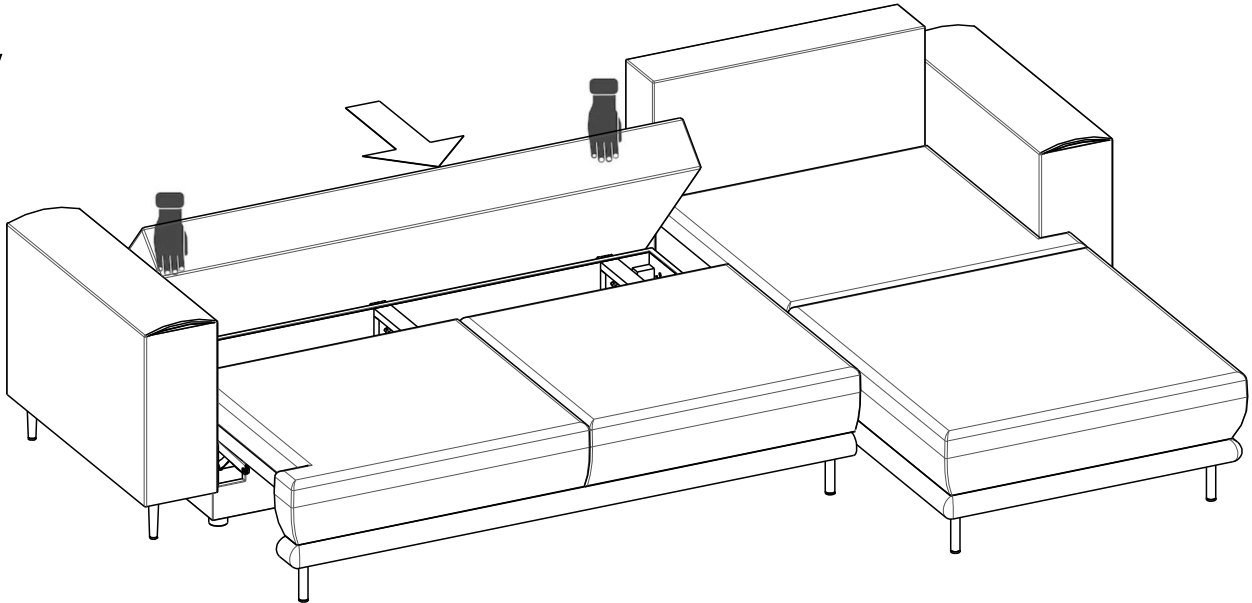
C



D



E



F

