
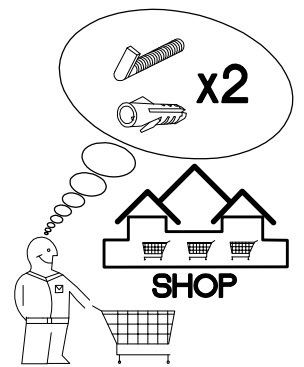
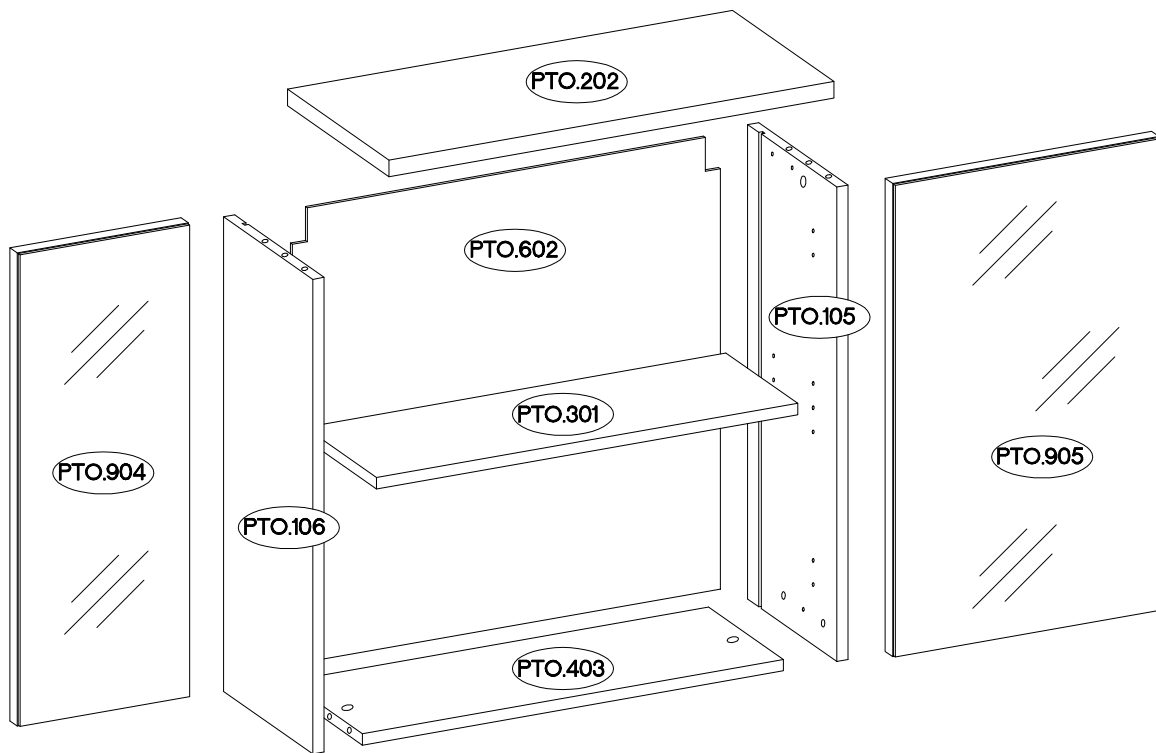
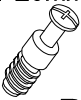

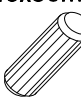
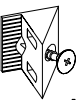

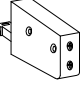

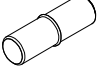


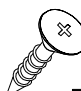
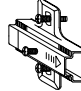
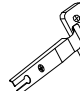

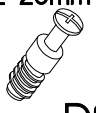

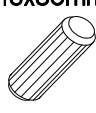
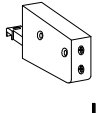
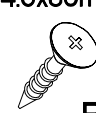



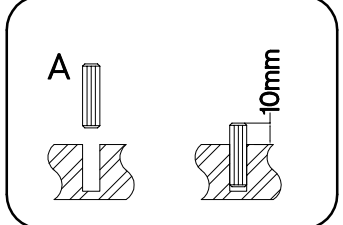
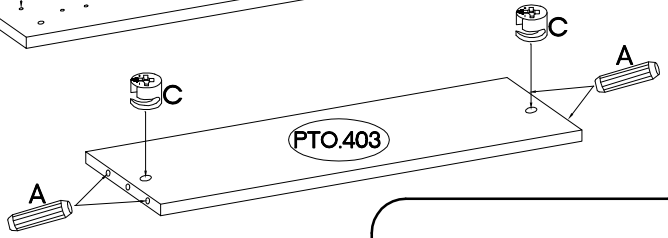
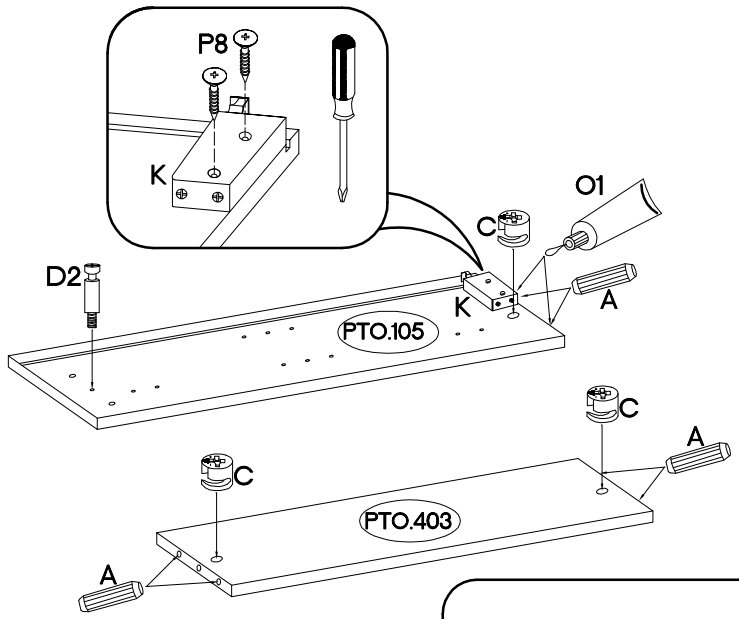
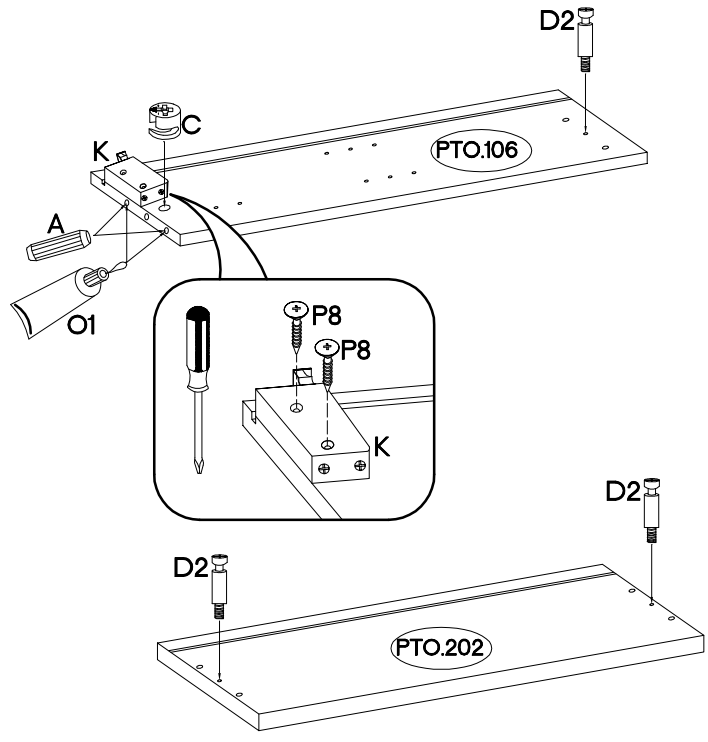
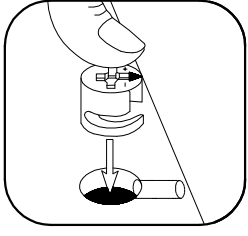
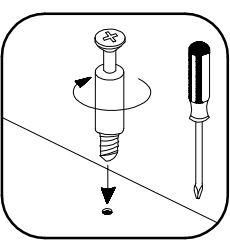
PTO.301 , PTO.403 =  max. 2kg



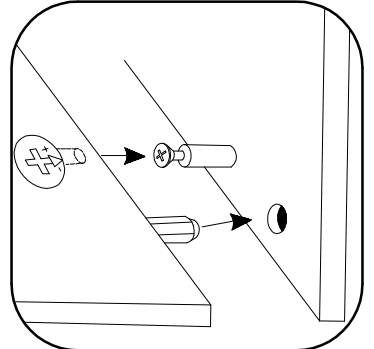
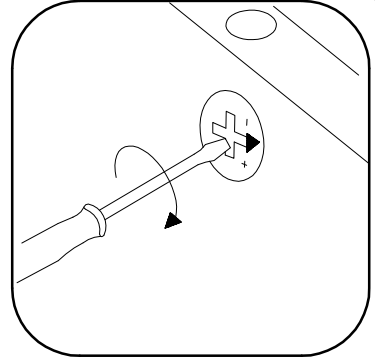
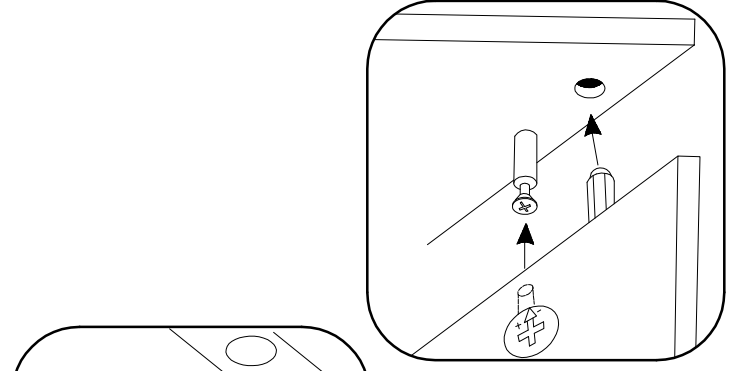
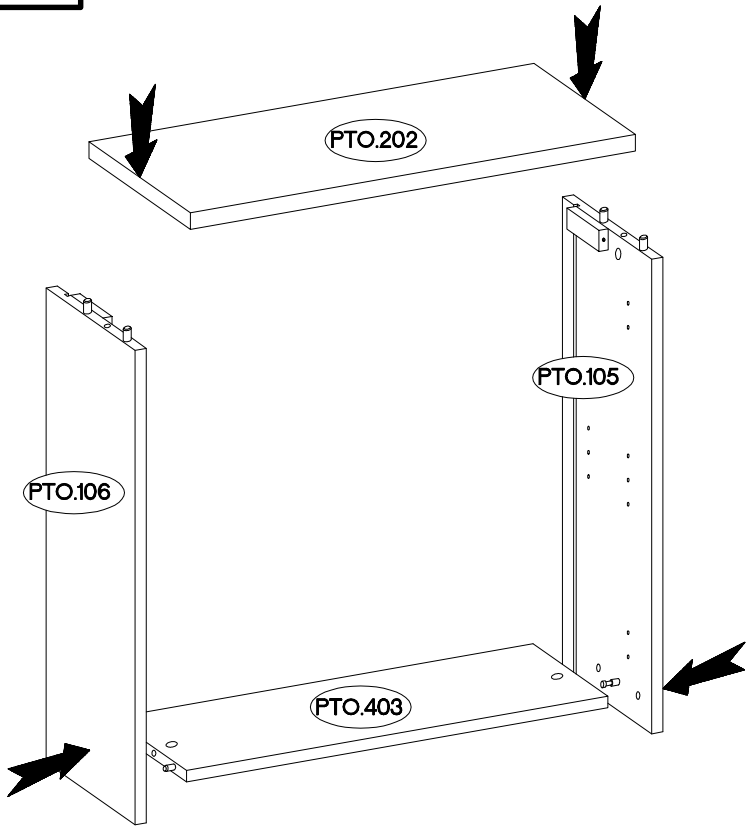
L=20mm		†15/12mm	†8x30mm			†7/2mm	†5/16mm	†3.0x20mm		
										
D2	C	A	L	O1	K	J5	J3	P7	E	
4	4	8	5	1	2	2	4	4	4	
						†4.0x30mm		†35/0mm	†3.5x13mm	
										
						P8	H	G	P5	
						4	4	4	8	

1

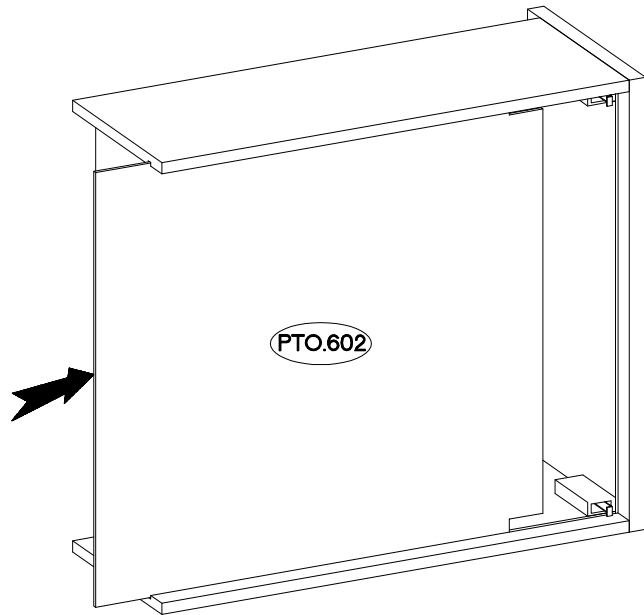
L=20mm  D2 4	±15/12mm  C 4	±8x30mm  A 8	 K 2	±4.0x30mm  P8 4	 O1 1
---	--	---	--	--	---



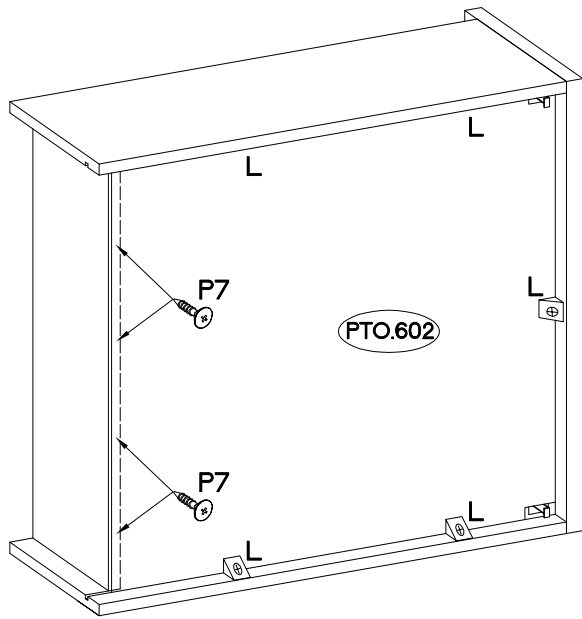
2

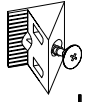



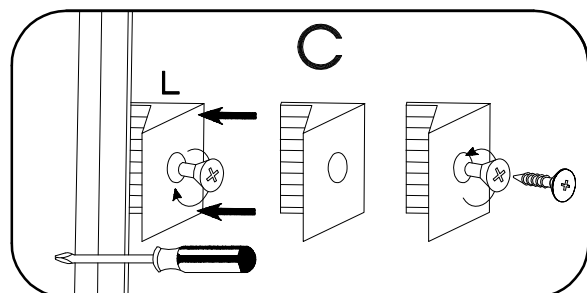
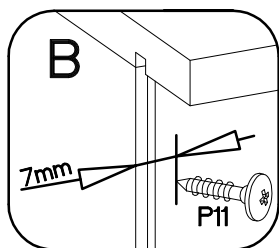
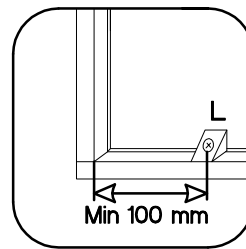
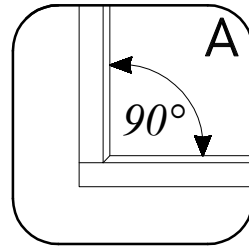
3



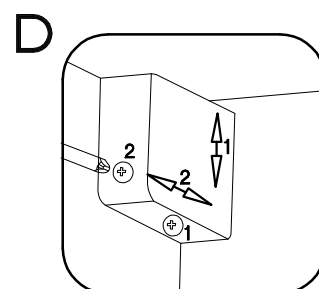
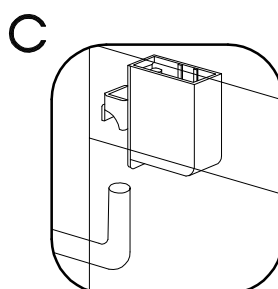
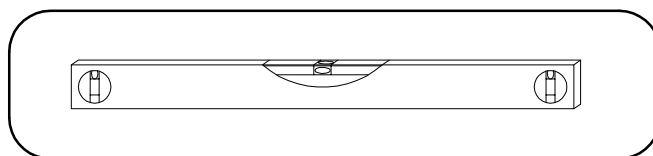
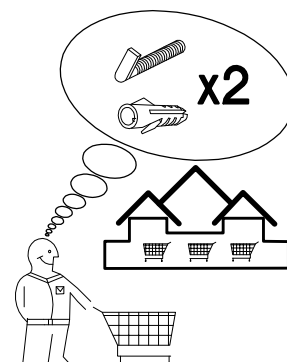
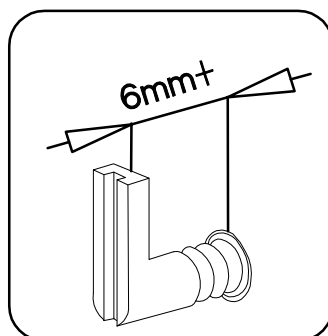
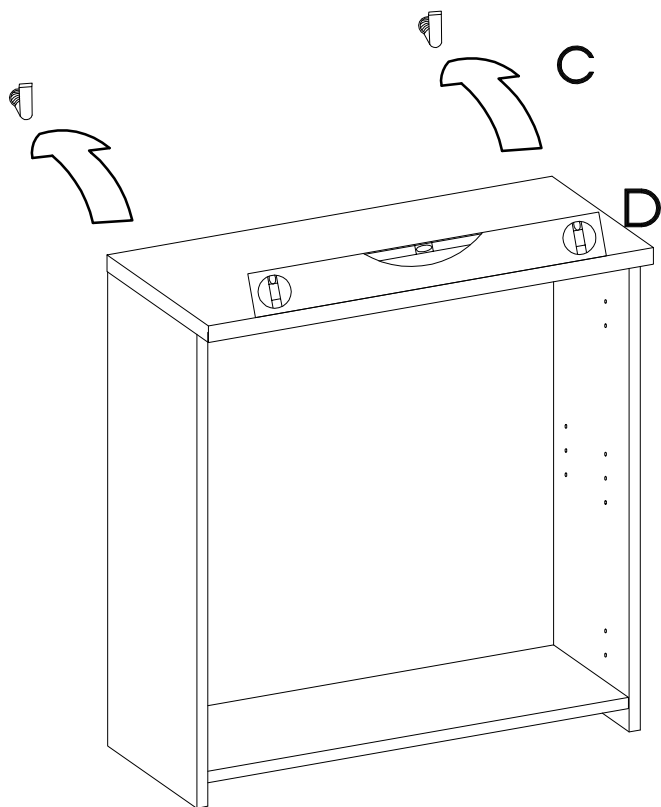
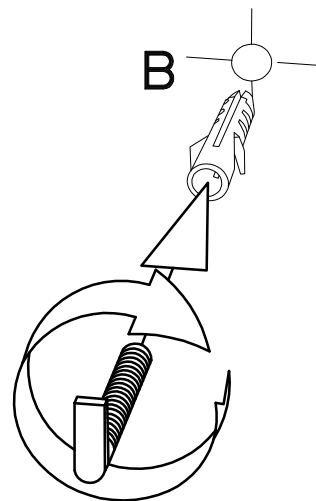
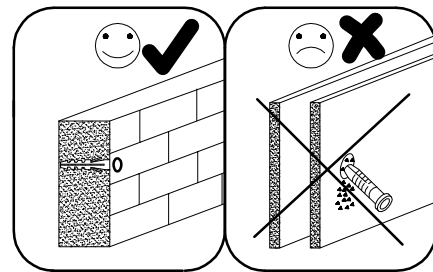
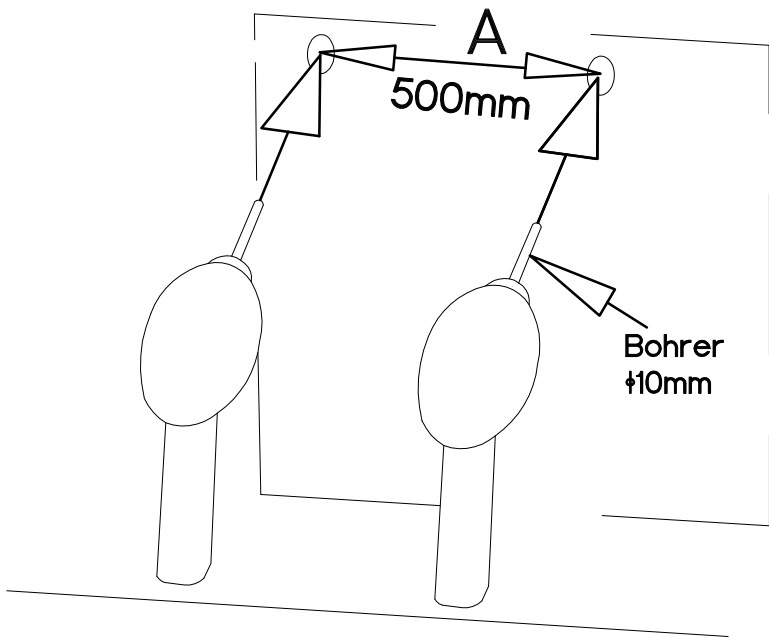
4



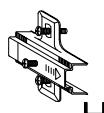
	$\pm 3.0 \times 20 \text{mm}$
5	
	4

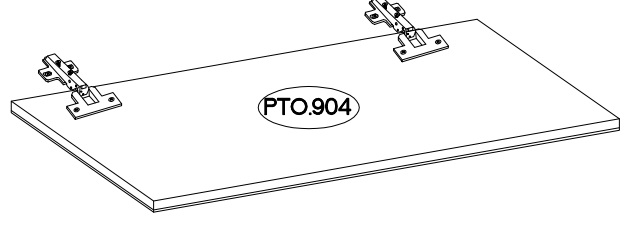
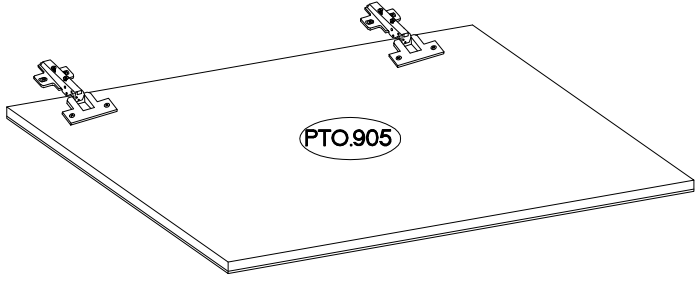
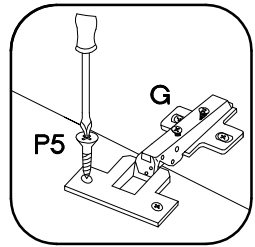
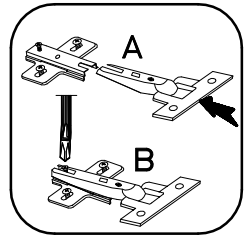


5

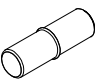




6

	$\pm 35/0\text{mm}$	$\pm 3.5 \times 13\text{mm}$
H	G	P5
4	4	8



7

$\pm 5/16\text{mm}$		
J3	E	
4	4	
$\pm 7/2\text{mm}$		
J5		
2		

