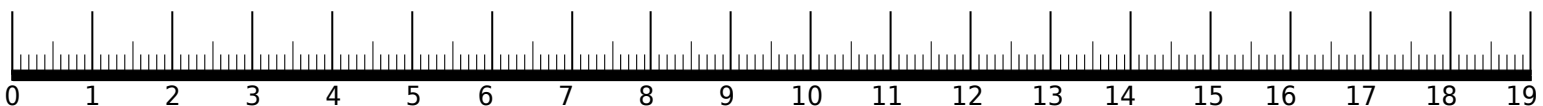
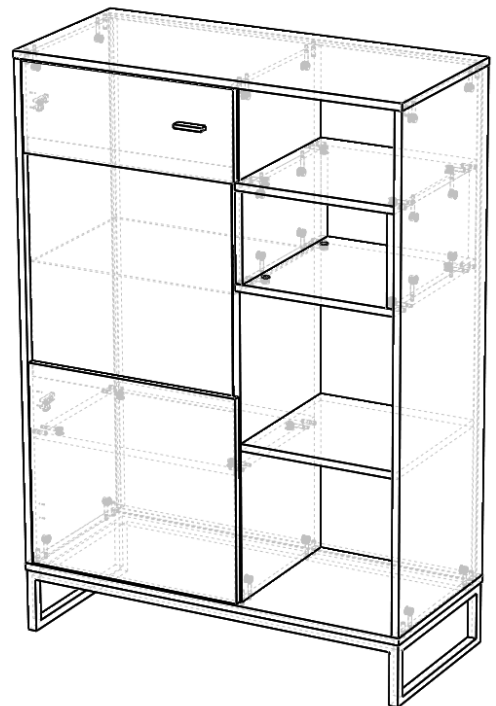
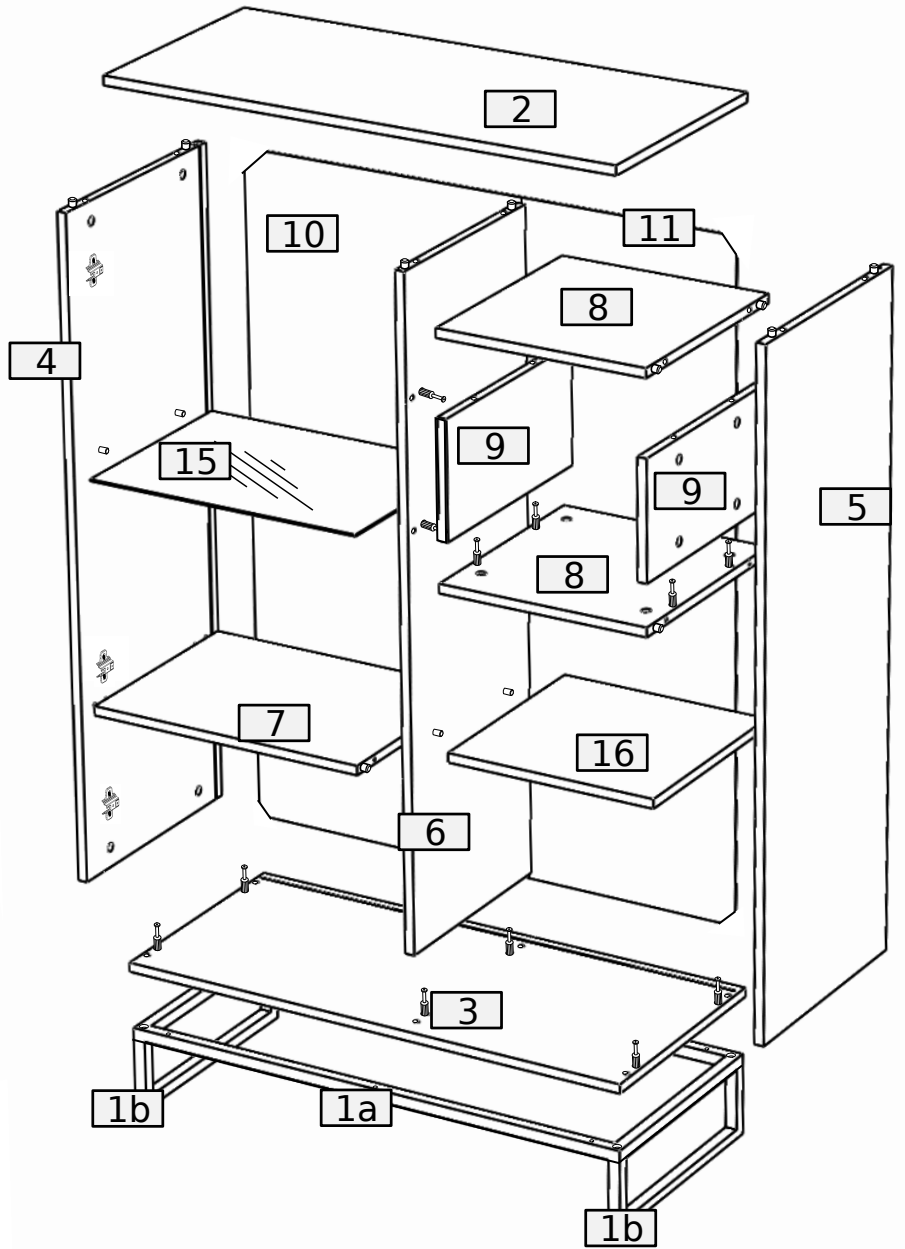
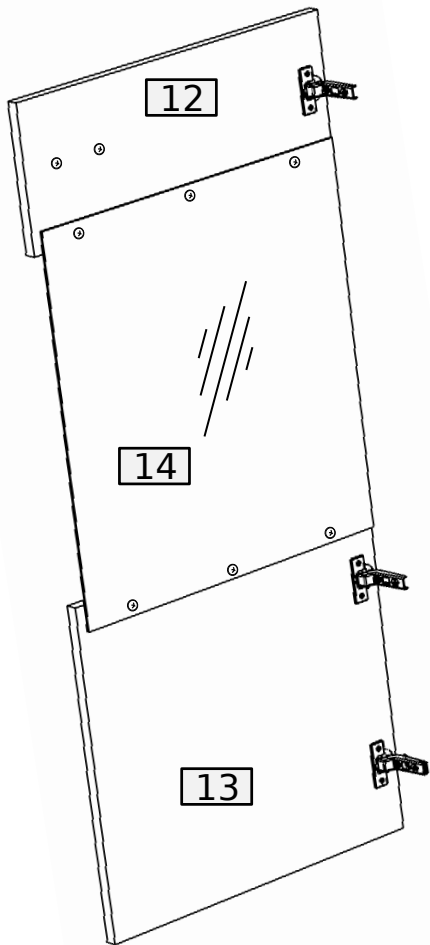


32	32	← T	+
B	A 8.0x35	D	UO
X	Z	PZ 3.5x25	W10
24	3	3	2

8	6	6	6	6
G	3.5x16 W4	T	3.5x16 W2	G4
G2	S3	S4	I T2	
7	4	4	16	1

1	4	6
U1	US 4.0x35	W11

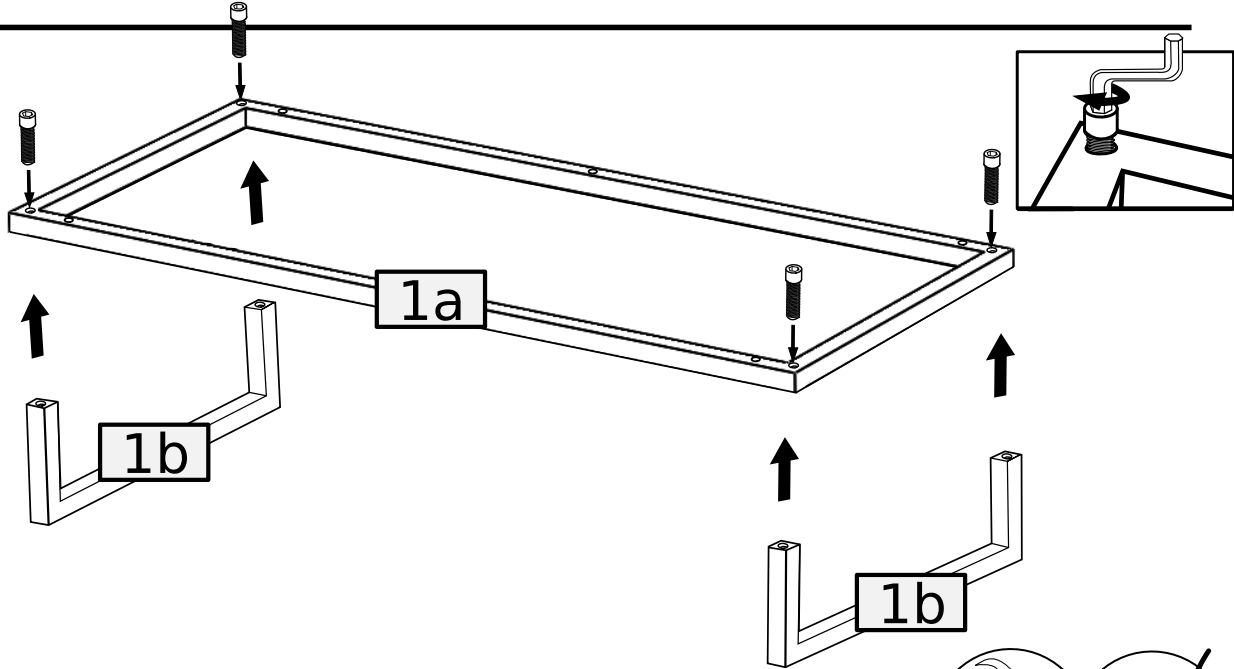




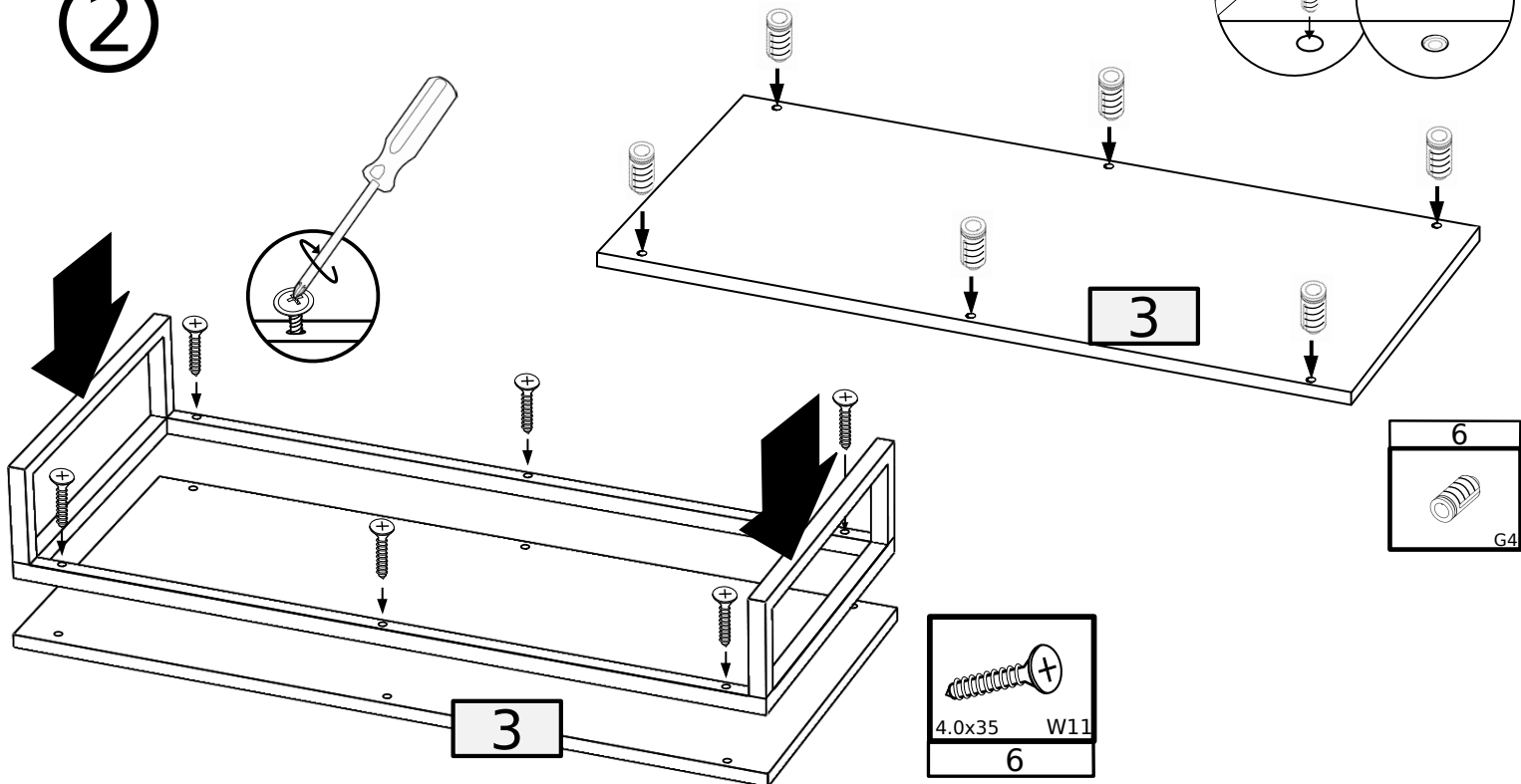
No.	Pcs.	L	W	D	Pac
1a	1	895	395	20	2/2
1b	2	395	140	20	2/2
2	1	900	400	16	2/2
3	1	900	400	16	2/2
4	1	1128	398	16	1/2
5	1	1128	398	16	1/2
6	1	1128	360	16	1/2
7	1	488	360	16	2/2
8	2	362	378	16	2/2

No.	Pcs.	L	W	D	Pac
9	2	377	200	16	2/2
10	1	1142	503	3	1/2
11	1	1142	377	3	1/2
12	1	500	200	16	1/2
13	1	500	458	16	1/2
14	1	524	482	4	1/2
15	1	488	340	4	1/2
16	1	362	358	16	1/2

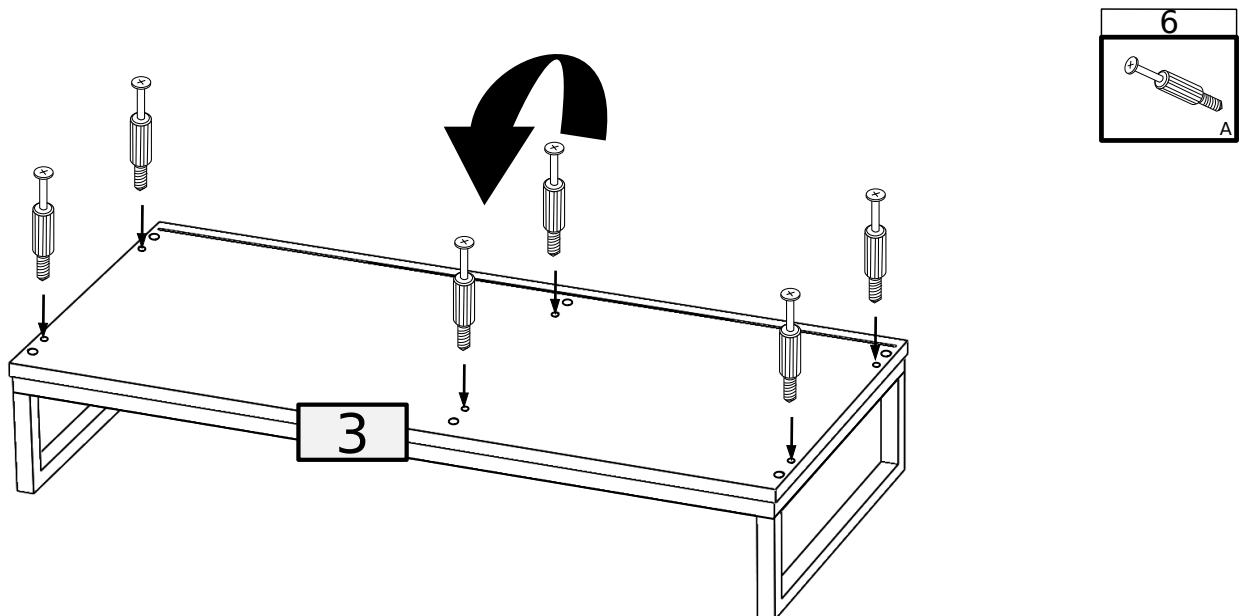
①



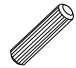

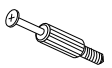

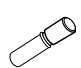
②

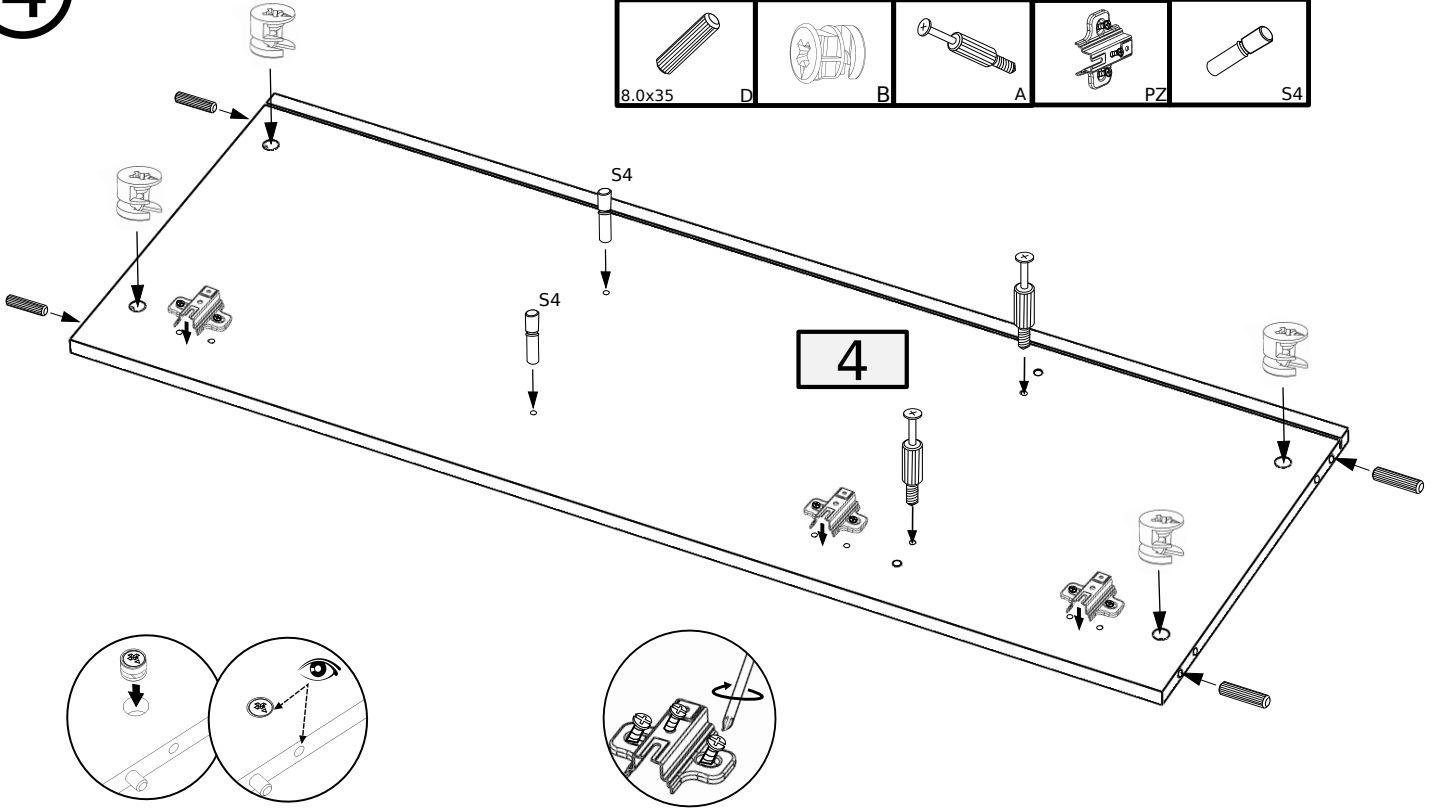


③



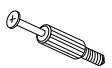



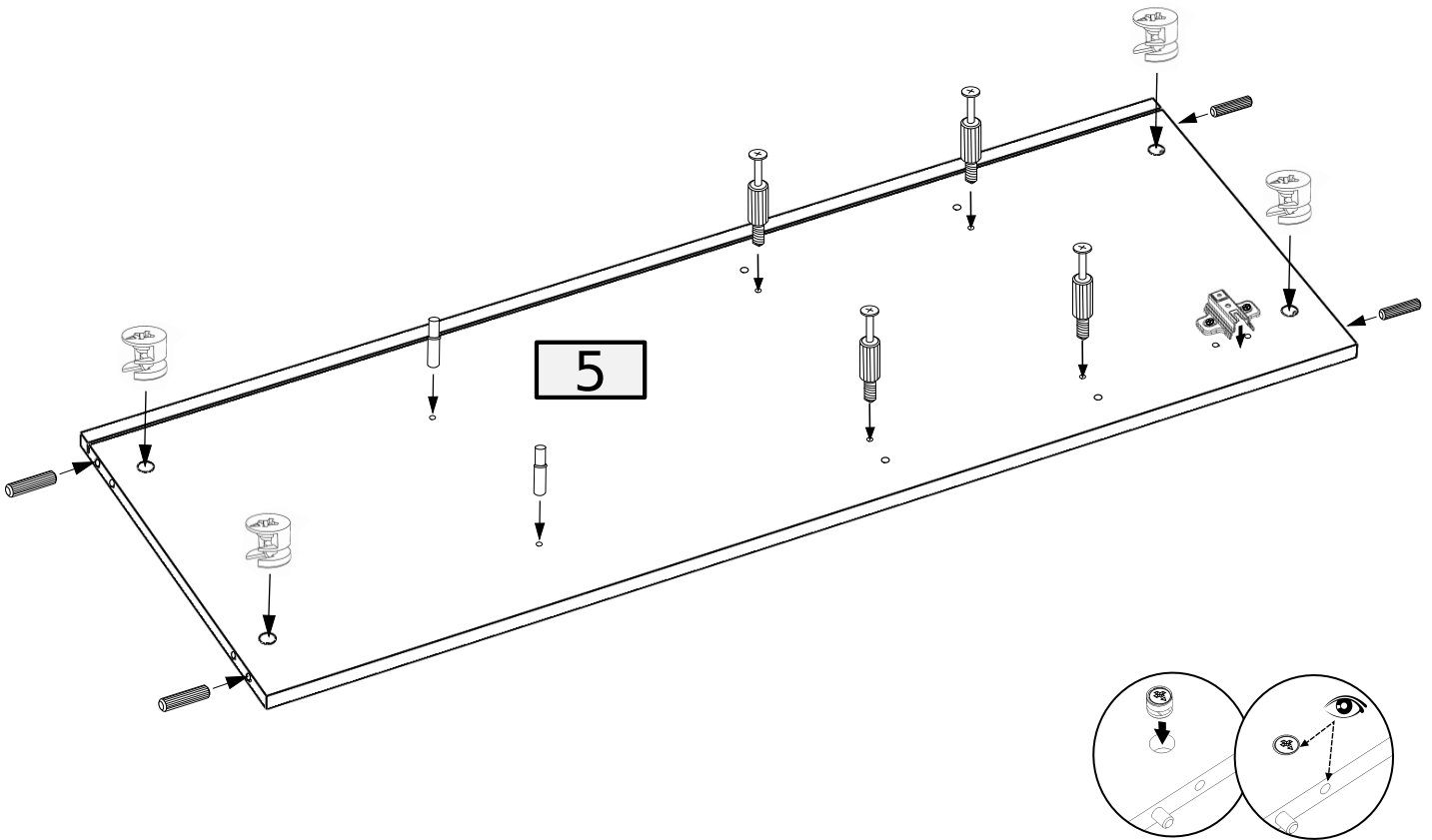
4

4	4	2	3	2	
					
8.0x35	D	B	A	PZ	S4

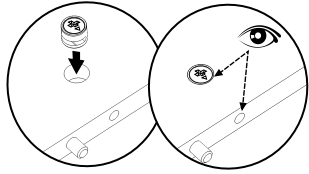




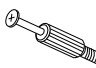

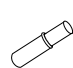
5

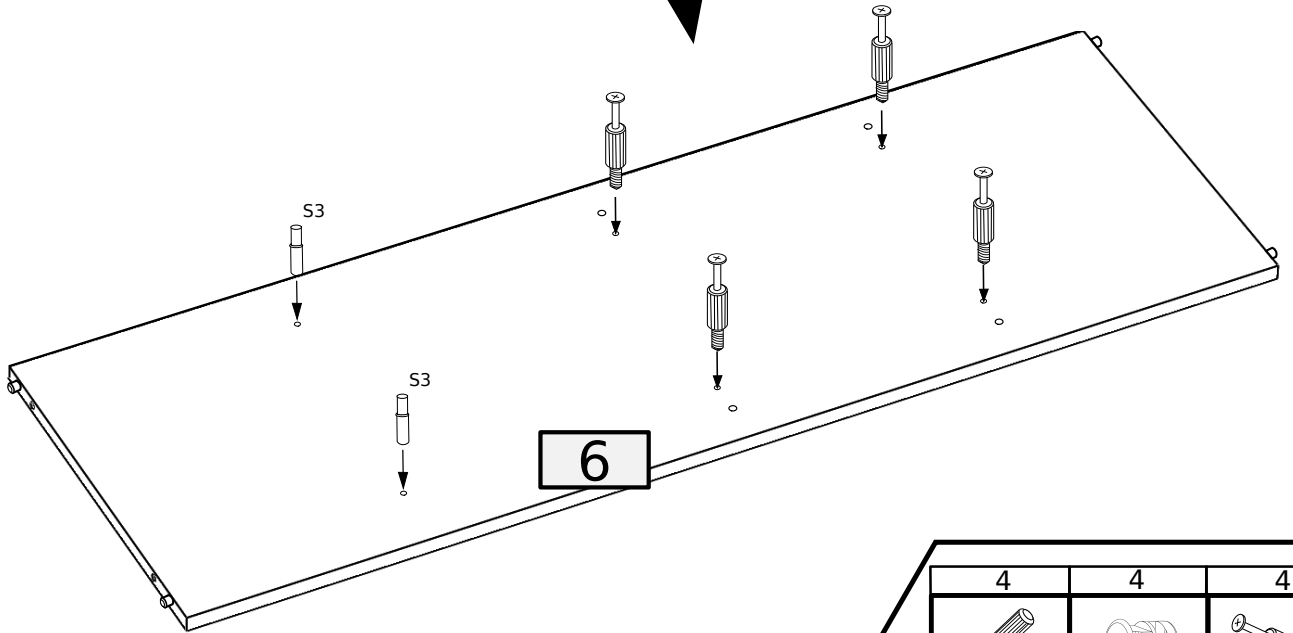
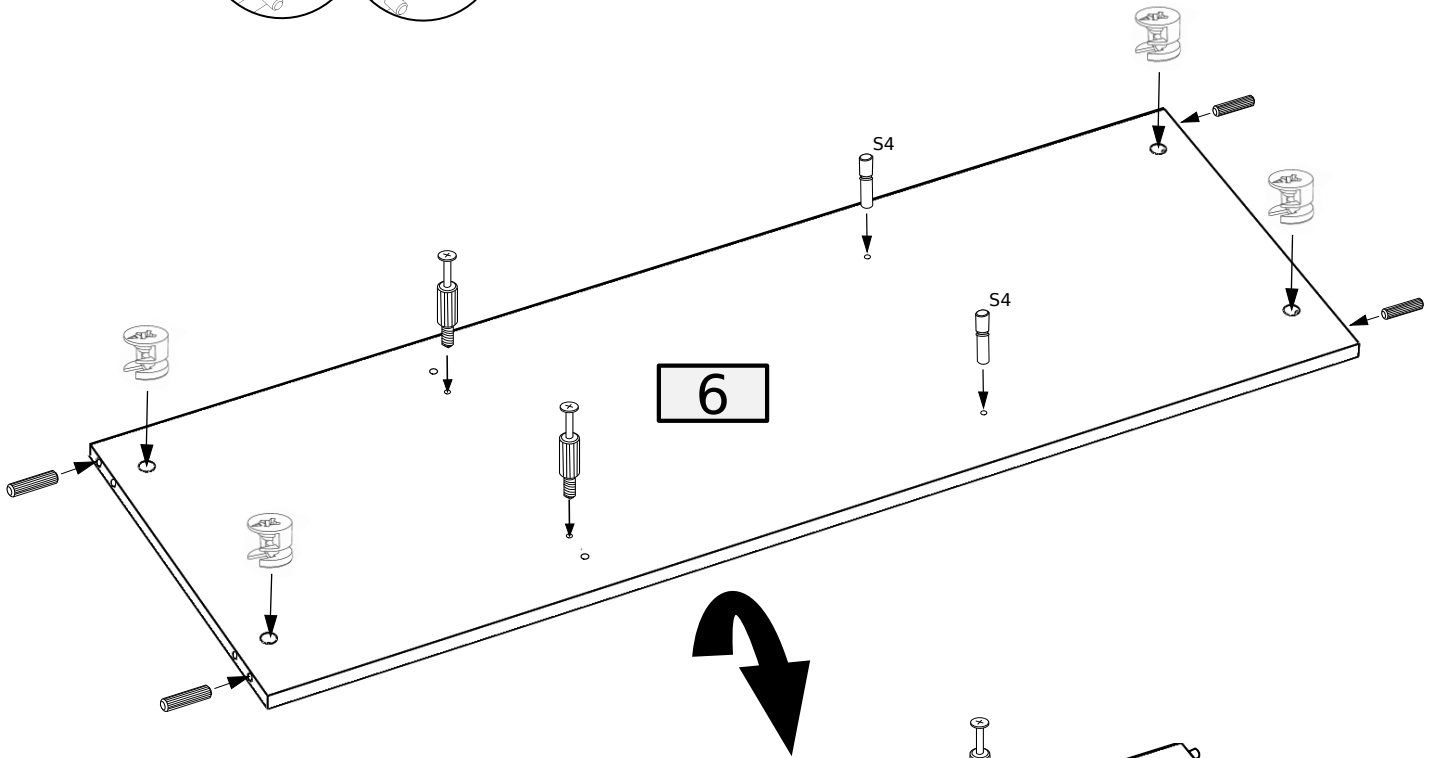
4	4	4	2	
				
8.0x35	D	B	A	S3



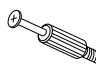


4

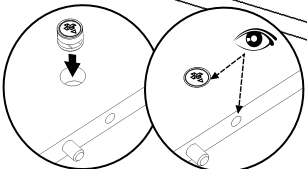
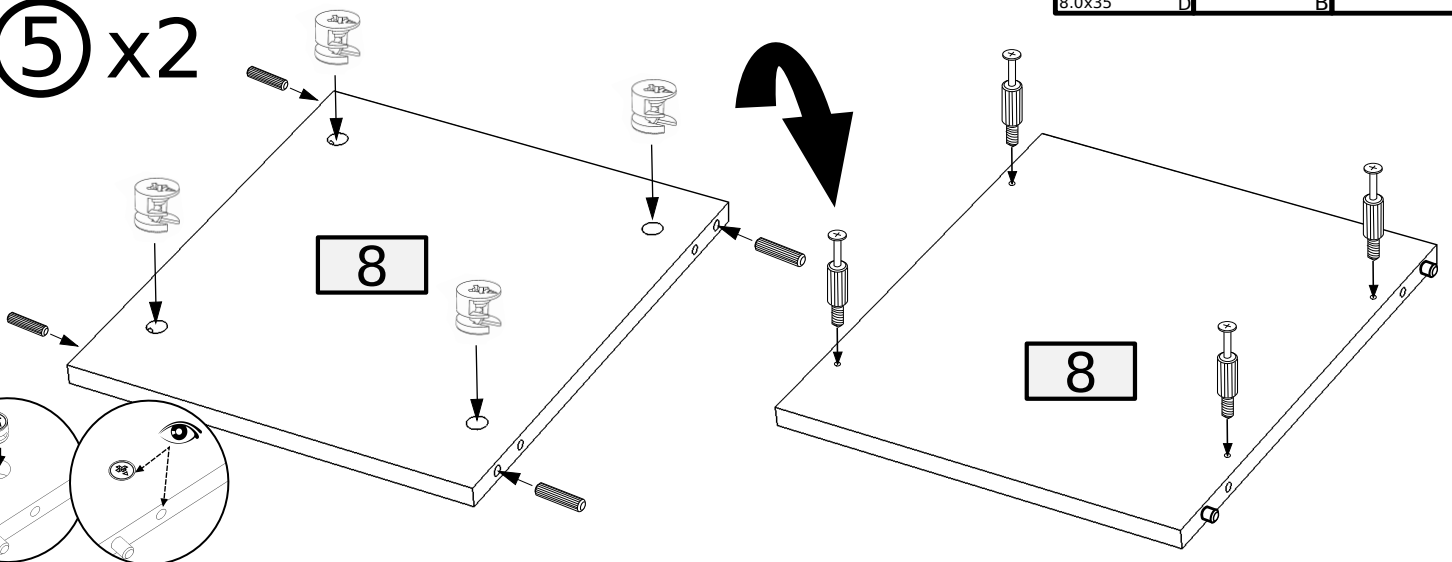


4	4	6	2	2	
					
8.0x35	D	B	A	S4	S3

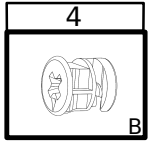
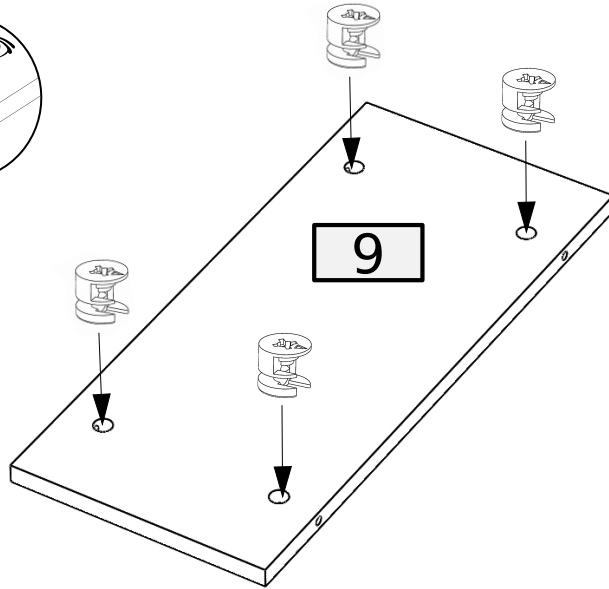
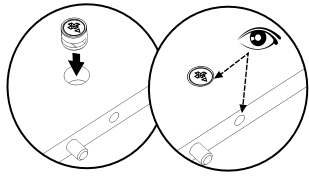


4	4	4	
			
8.0x35	D	B	A

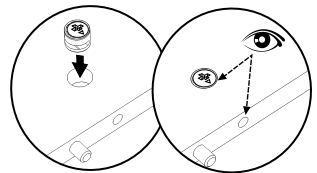
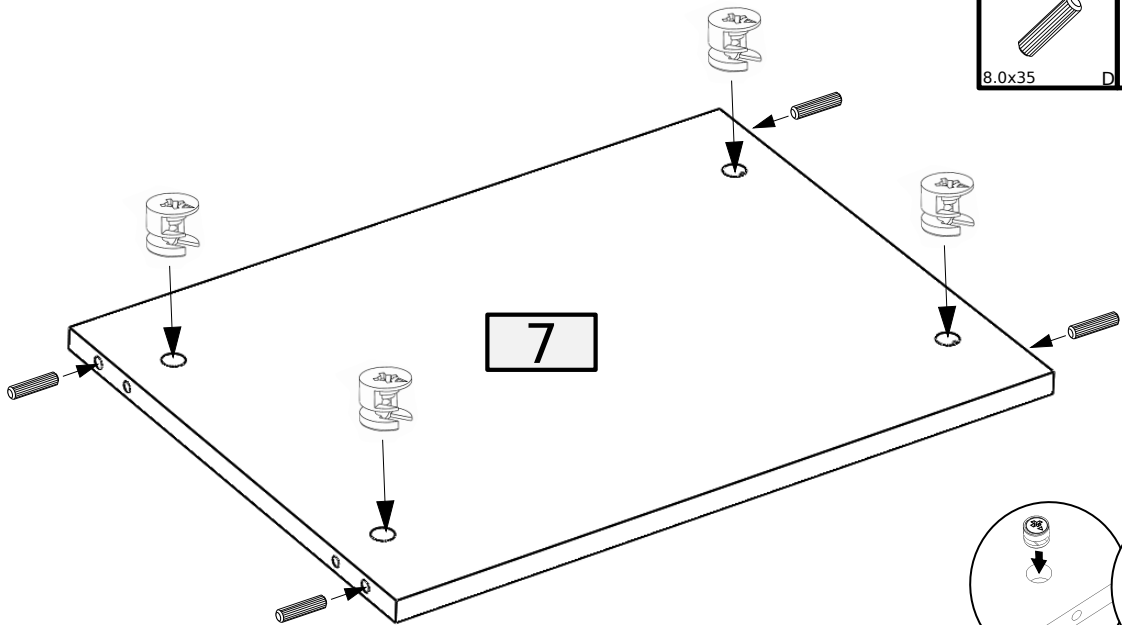
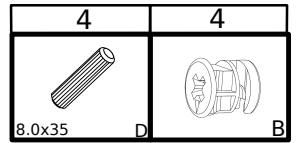
5 x2



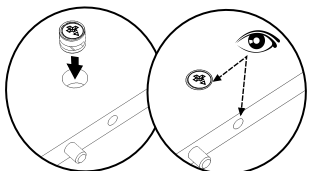
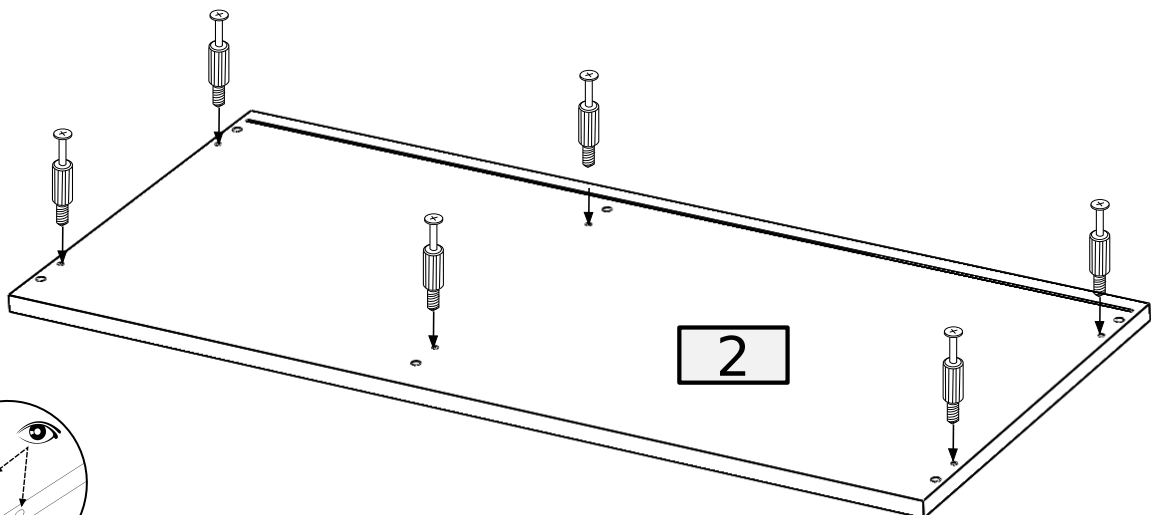
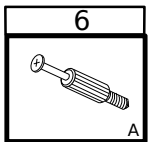
⑥ x2



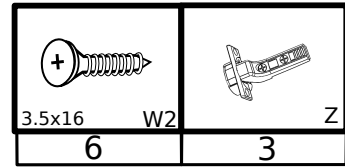
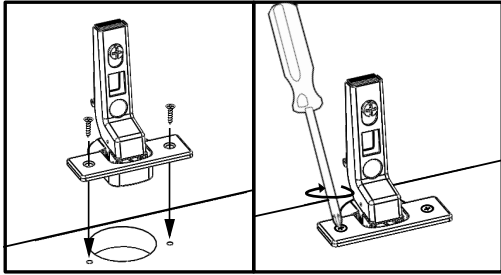
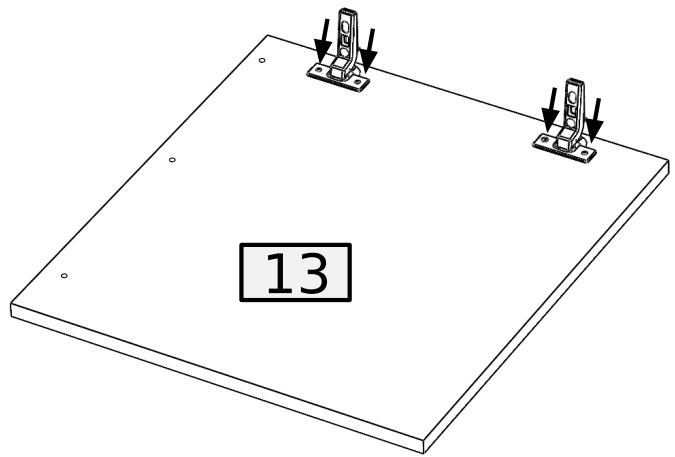
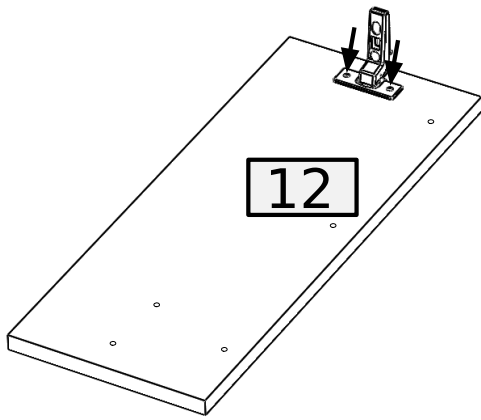
⑦



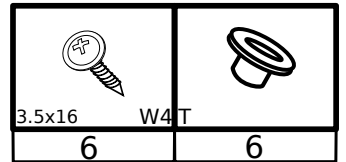
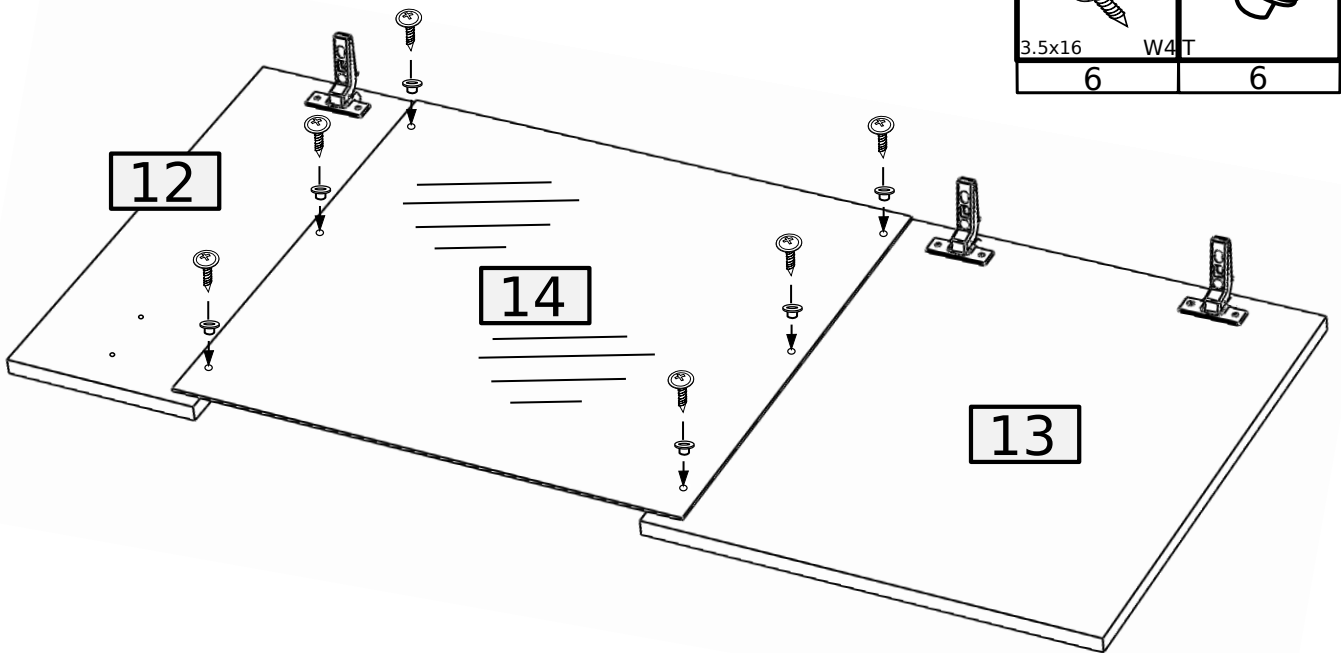
⑧



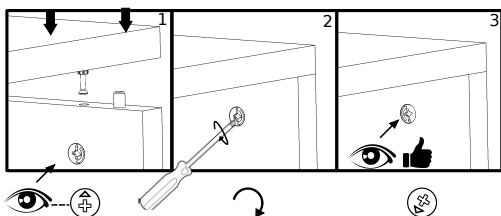
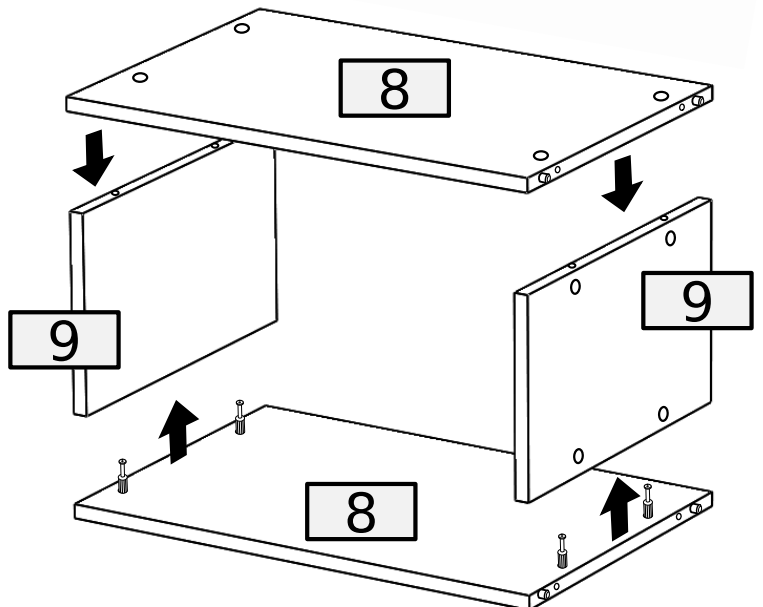
9



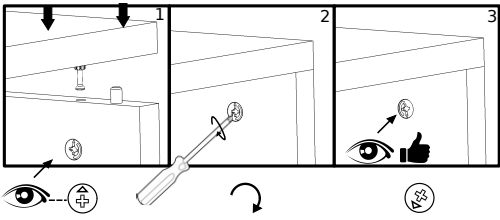
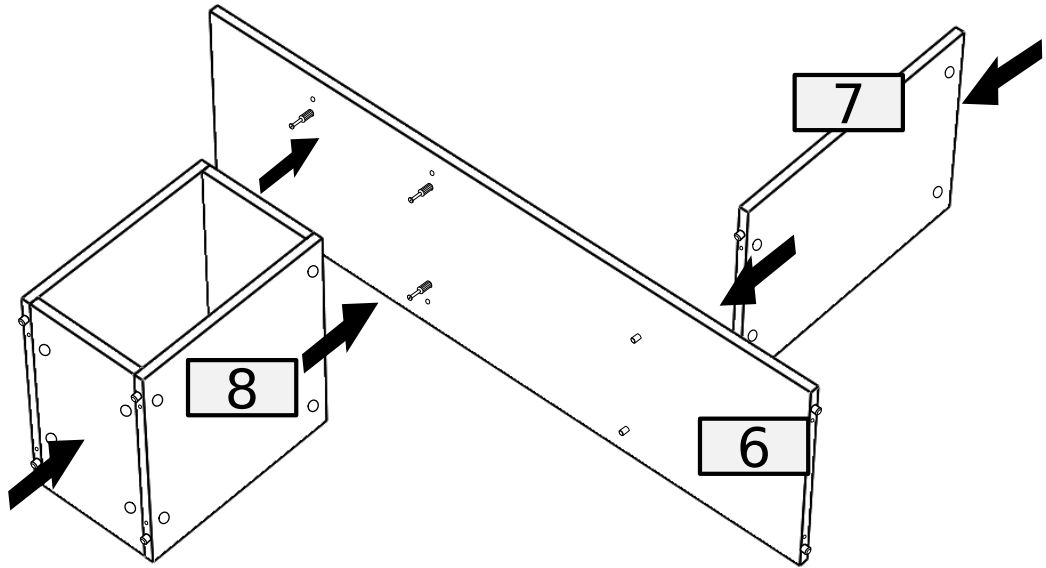
10



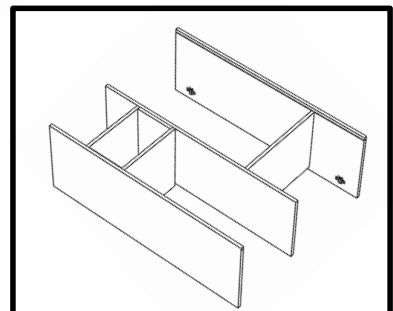
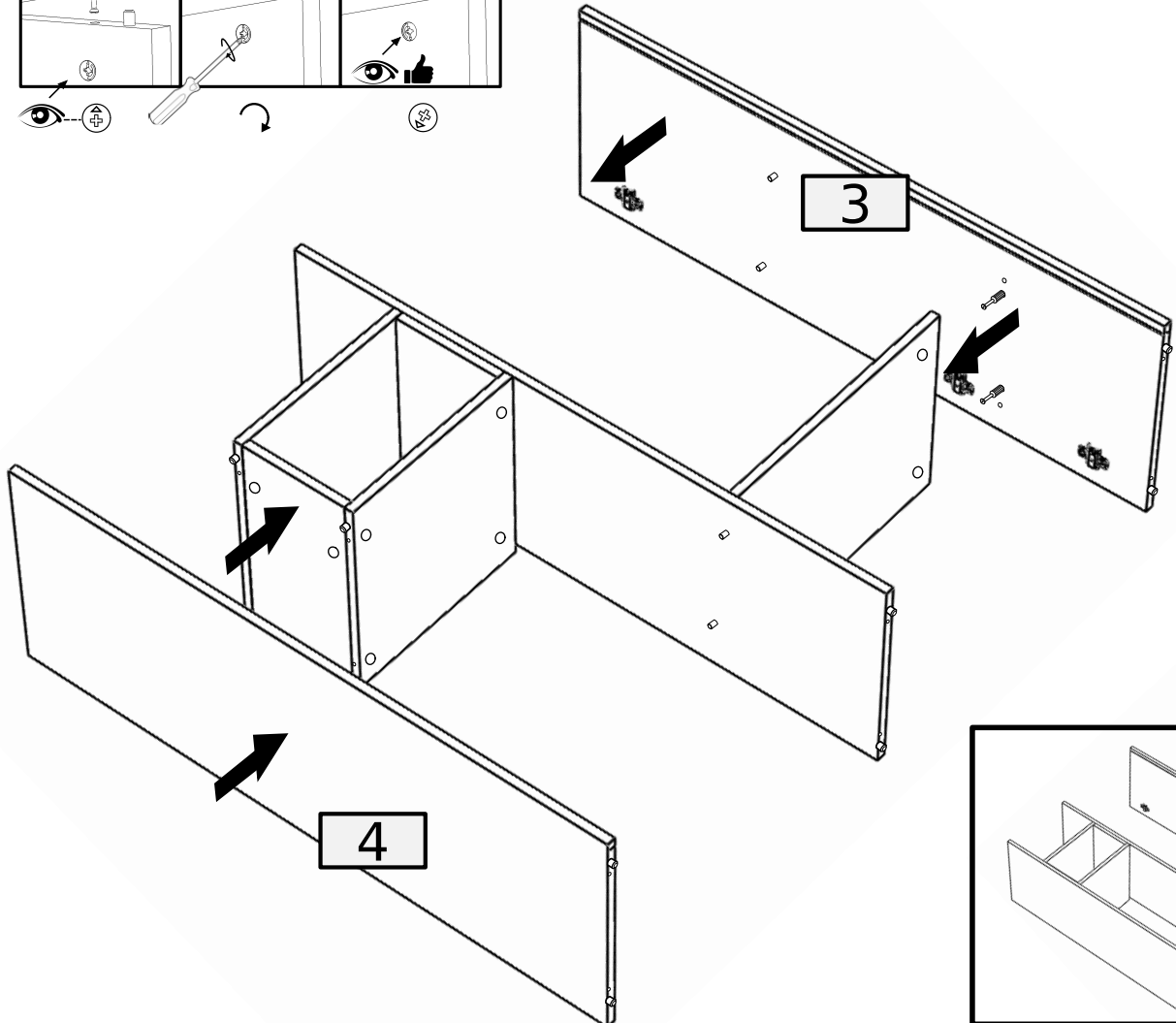
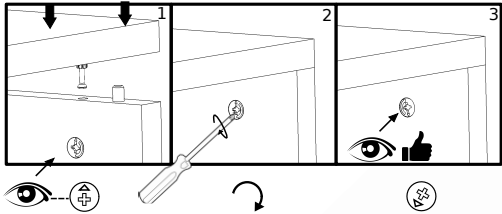
11



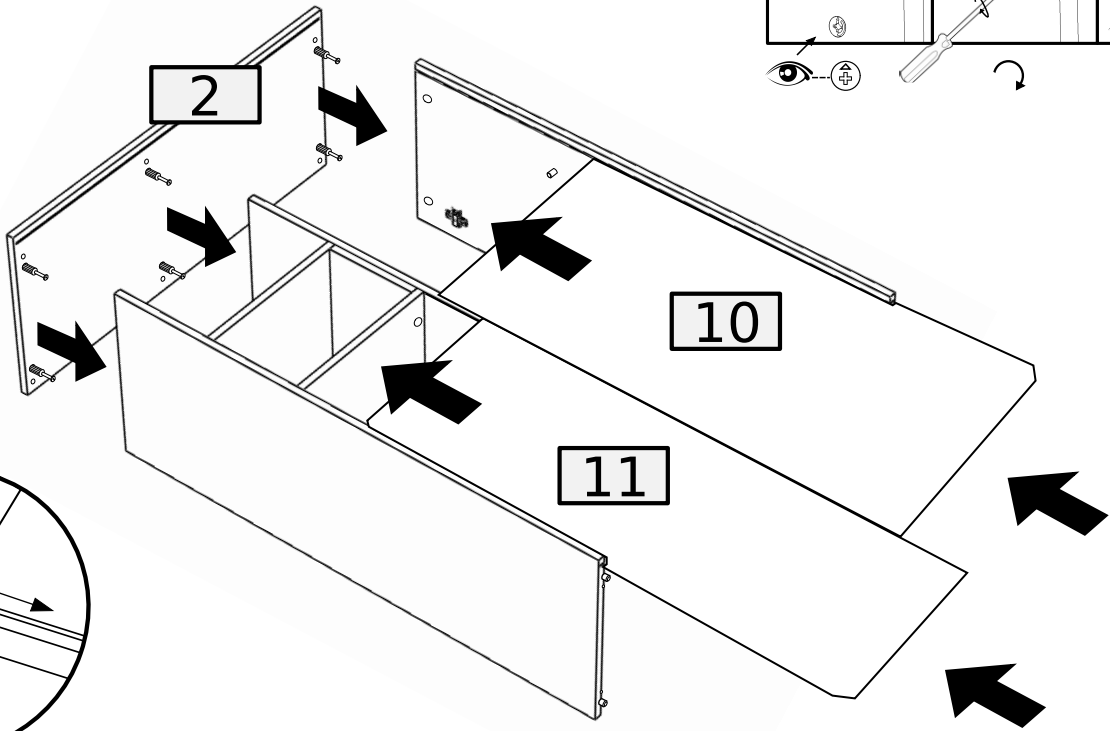
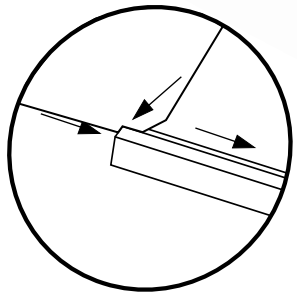
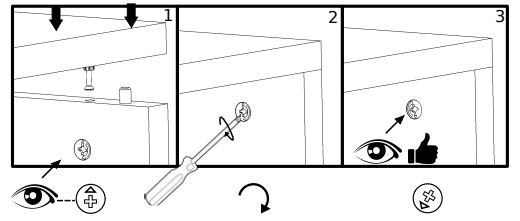
12



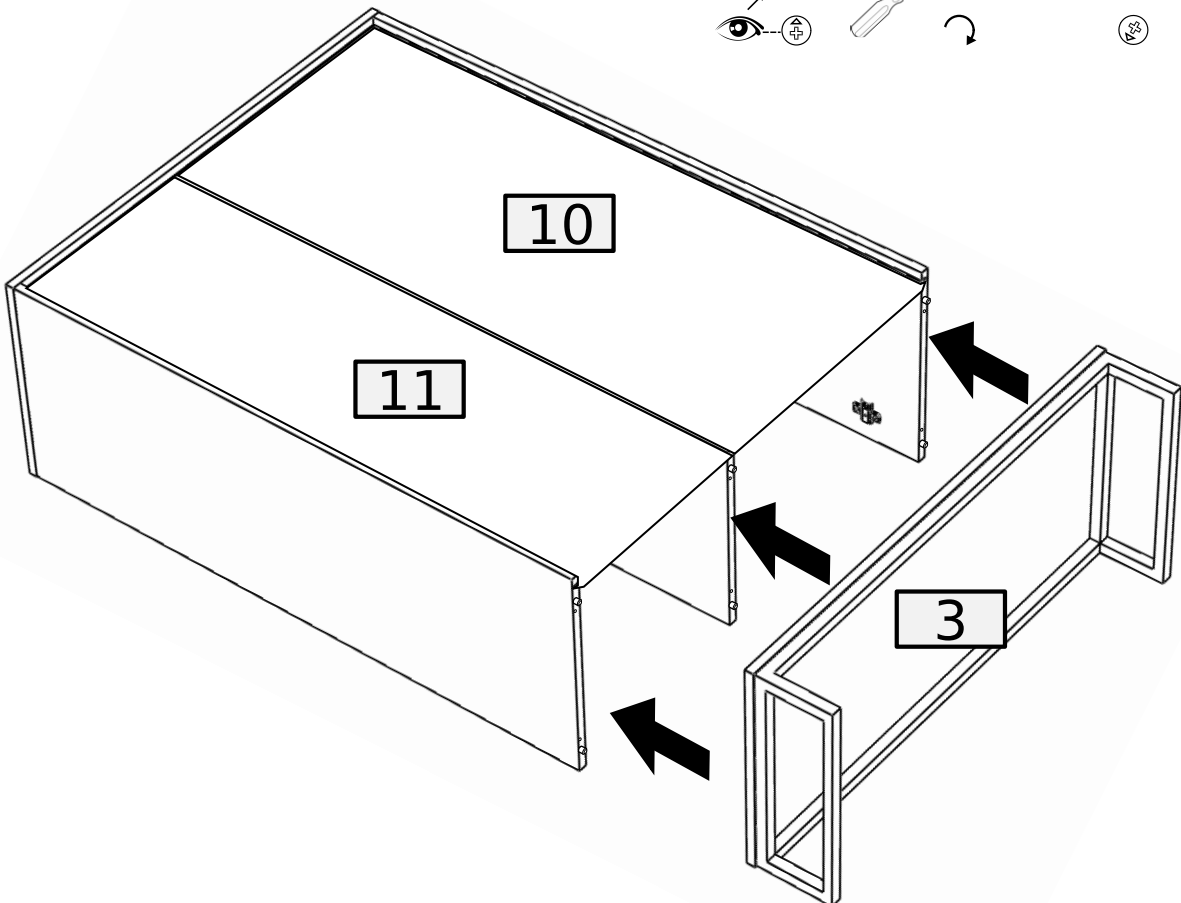
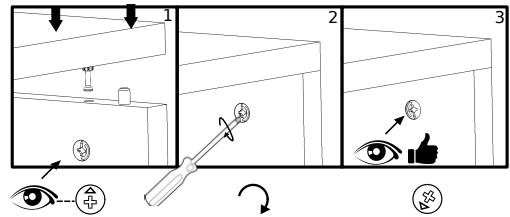
13



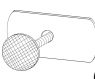


14

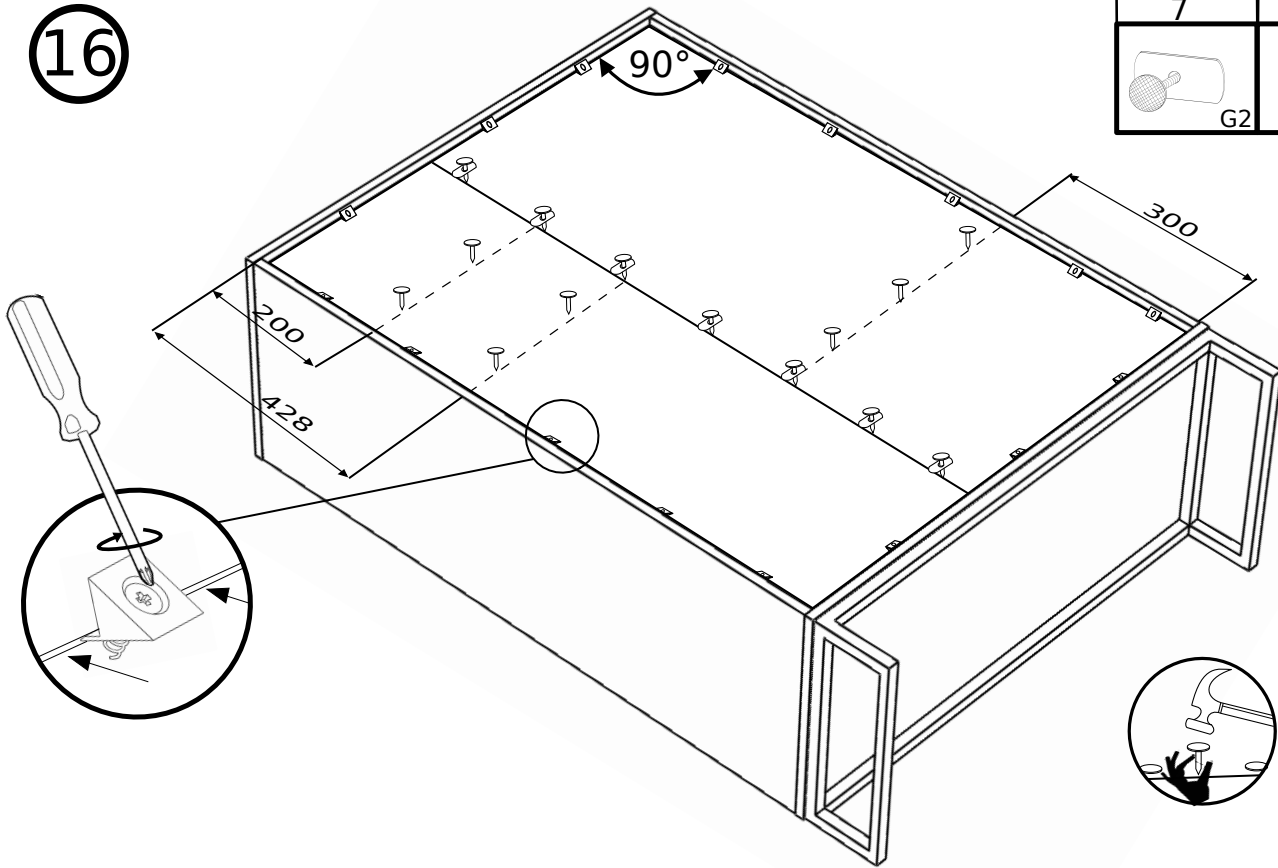


15

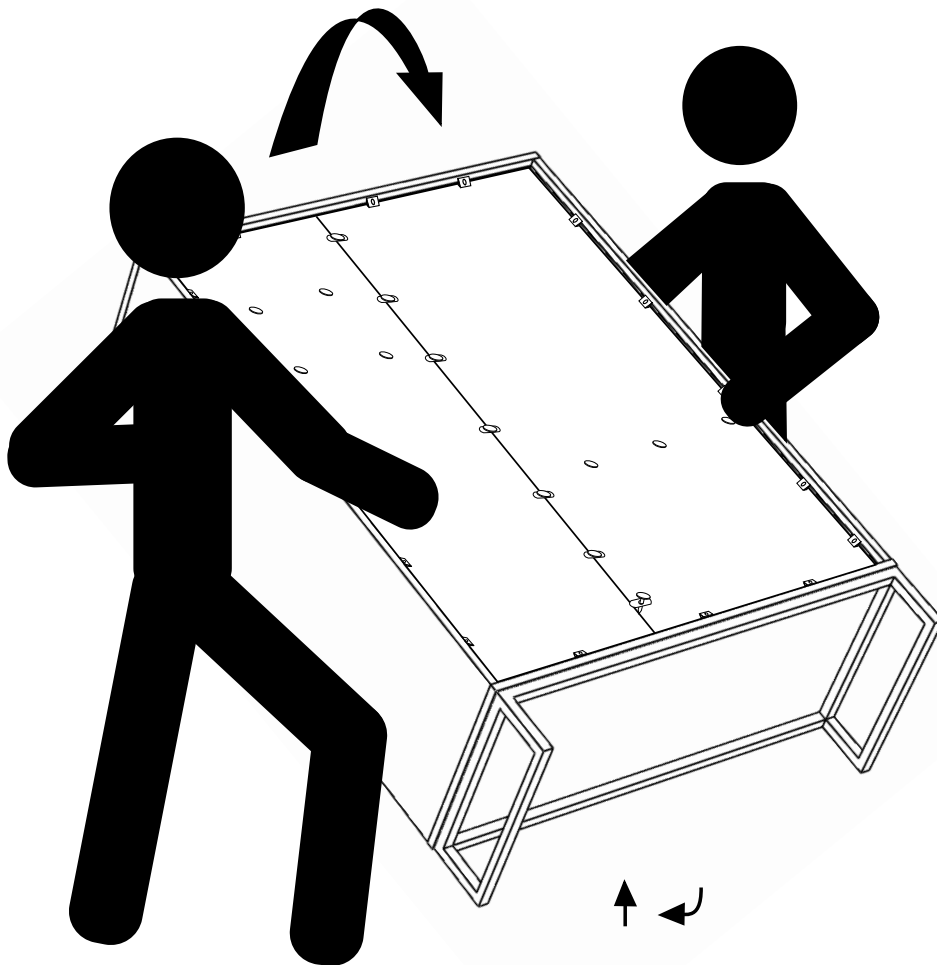


16

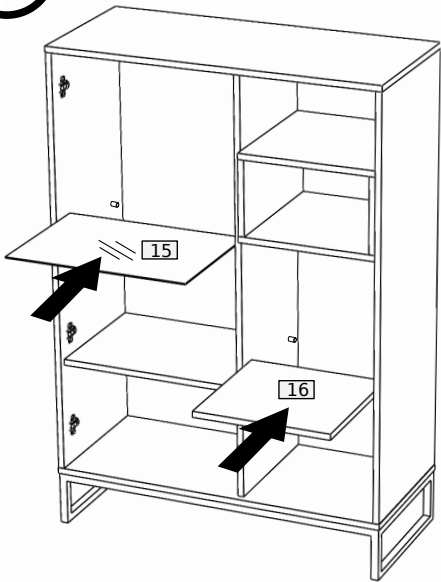
7	7	16
		
G2	G	I



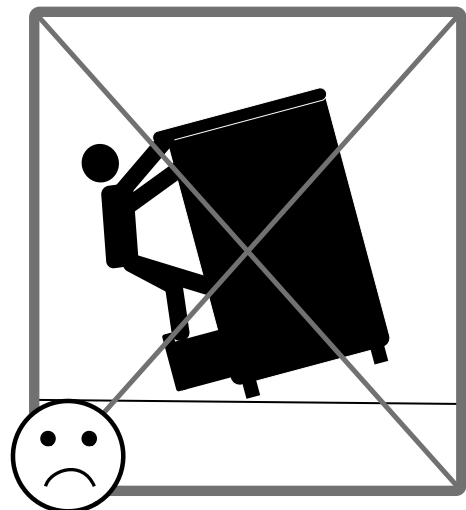
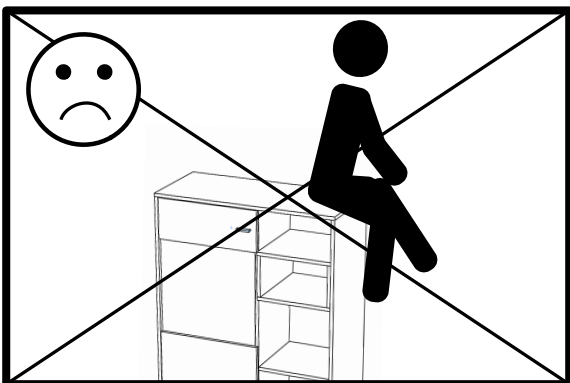
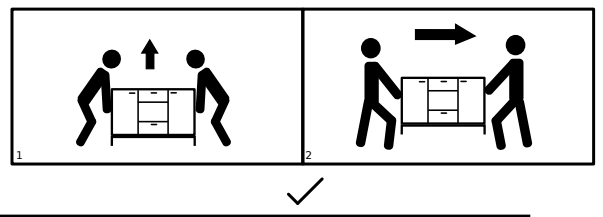
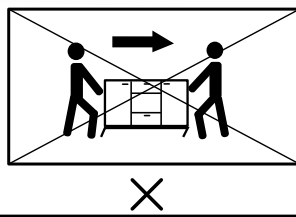
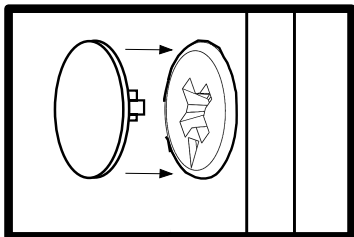
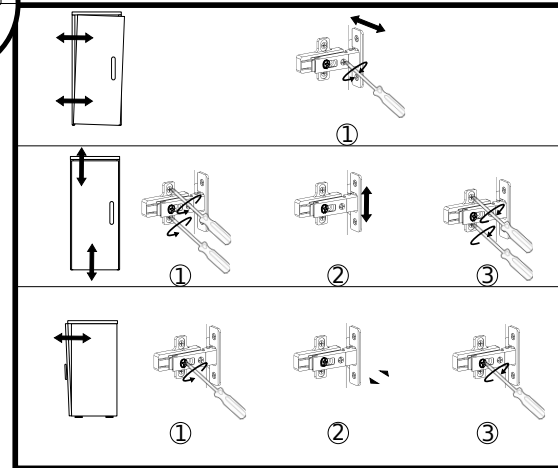
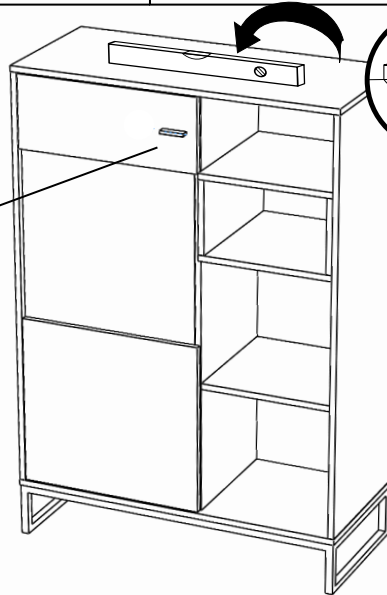
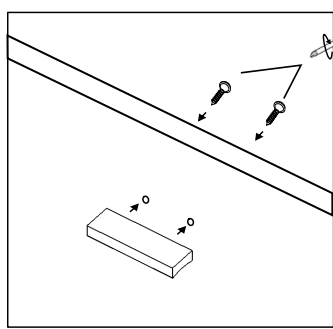
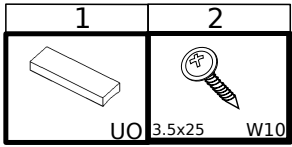
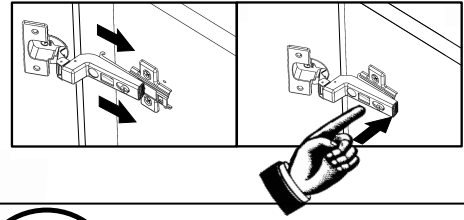
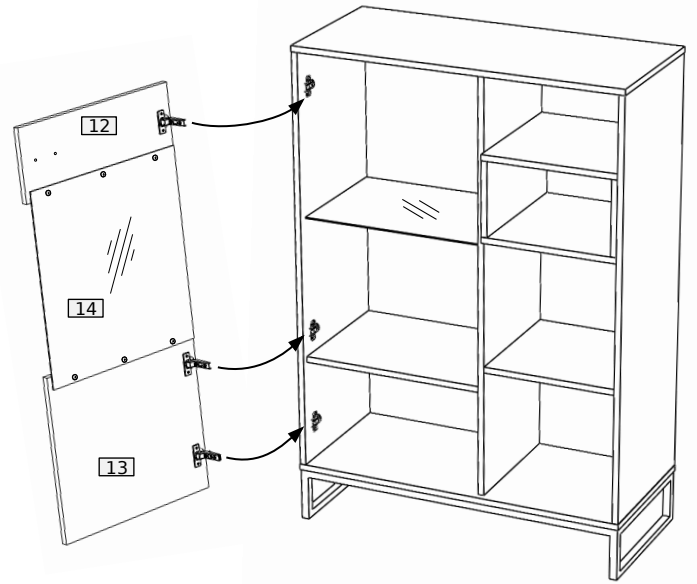
17



18



19



19

