
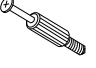
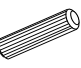
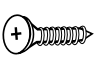











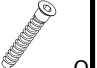
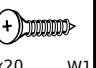
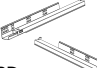


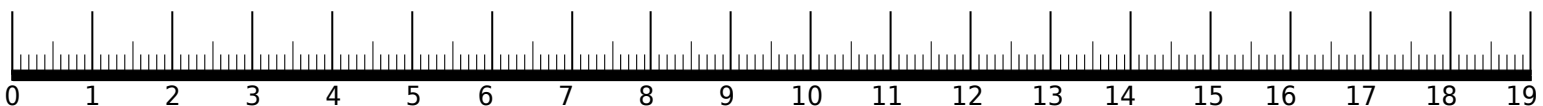
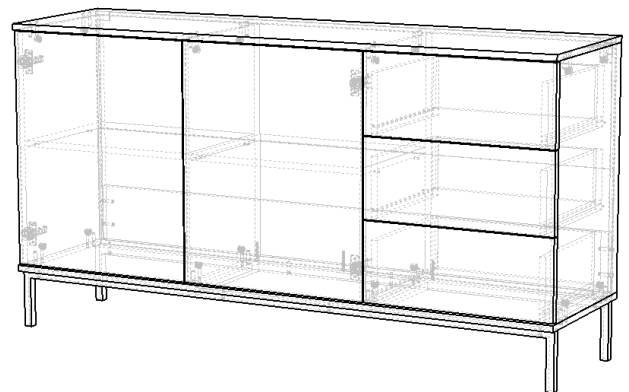
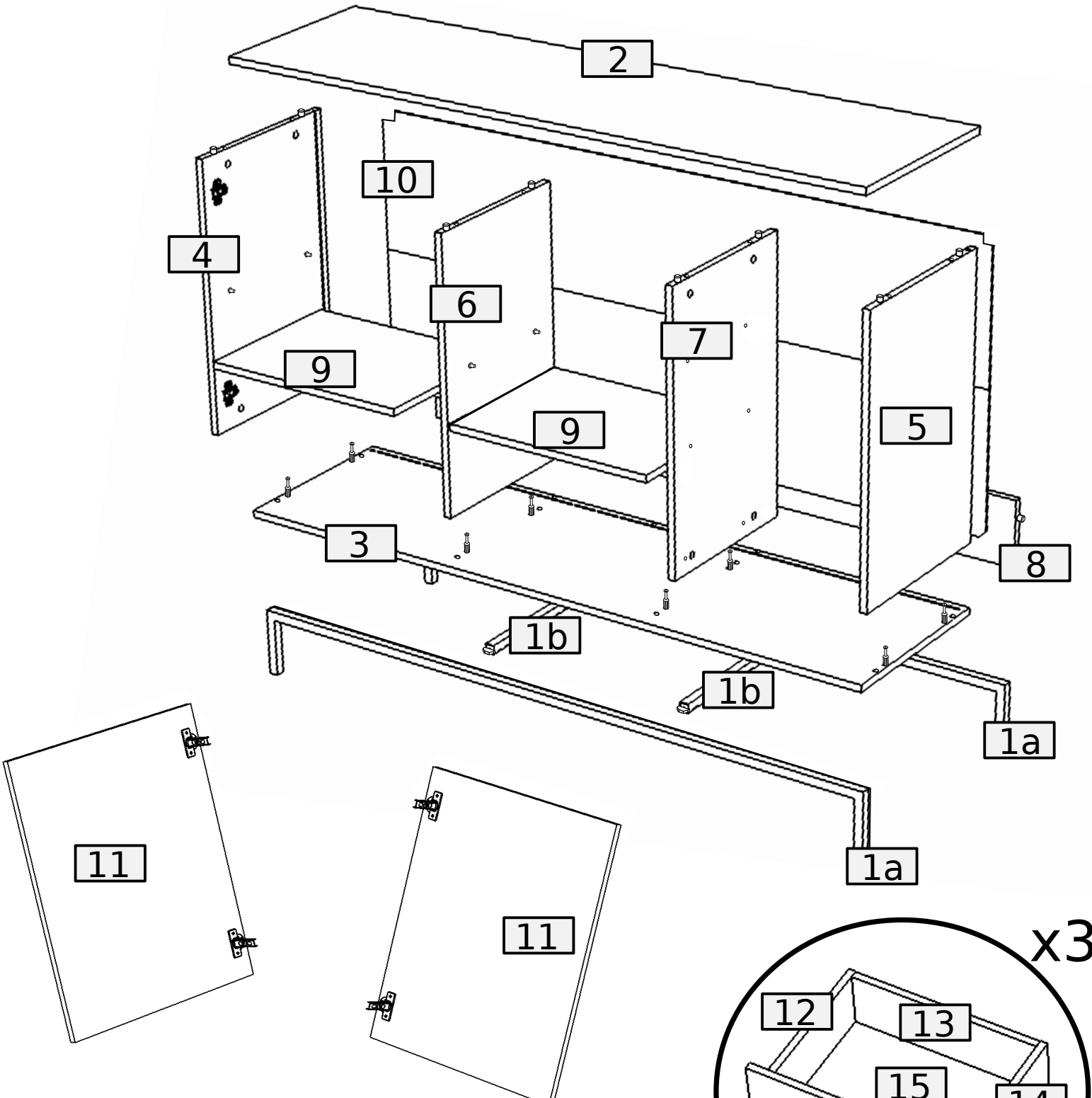


22	22	40	8	4	6	7	2	1
								
B	A	D 8.0x35	W2	PZ	G	G	W4	U1
								
X	S3	KS	Z1	PTS	G4	O	W1	
22	8	2	4	2	8	9	9	

	
PD	F
3	12

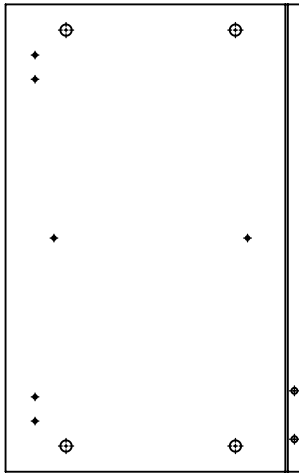

W11
8



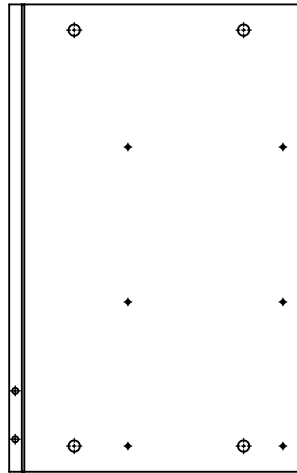


1a	2	1490	150	20	2/3
1b	2	330	20	20	2/3
2	1	1500	410	16	2/3
3	1	1500	410	16	2/3
4	1	618	390	16	1/3
5	1	618	390	16	1/3
6	1	618	370	16	1/3
7	1	618	370	16	1/3
8	1	1466	150	16	2/3
9	2	477	360	16	2/3

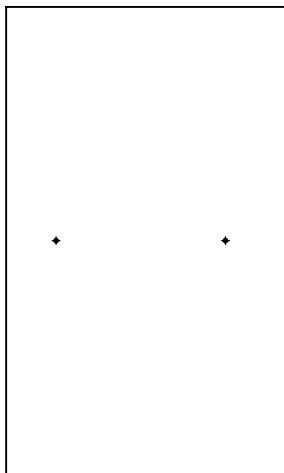
10	1	1480	632	3	2/3
11	2	612	499	16	3/3
12	3	350	160	16	2/3
13	3	437	142	16	2/3
14	3	350	160	16	2/3
15	3	357	452	3	2/3
16	3	492	202	16	3/3



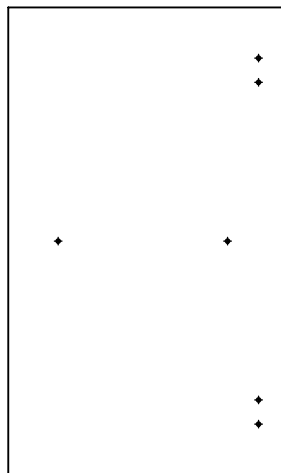
4. 618x390x16 mm



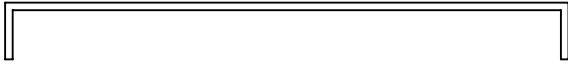
5. 618x390x16 mm



6. 618x370x16 mm



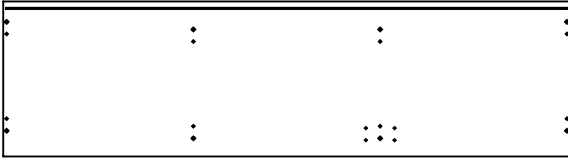
7. 618x370x16 mm



1a. 1490x150x20 mm x2



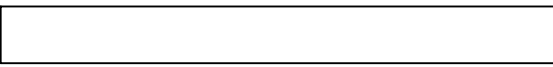
1b. 330x20x20 mm x2



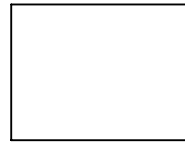
2. 1500x410x16 mm



3. 1500x410x16 mm



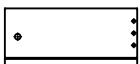
8. 1466x150x16 mm



9. 477x360x16 mm x2



10. 1480x632x3 mm



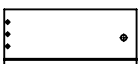
12. 350x160x16 mm x3



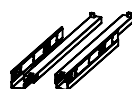
15. 357x452x3 mm x3



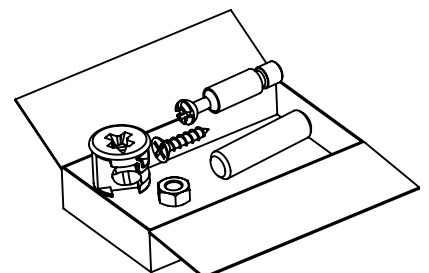
13. 437x142x16 mm x3

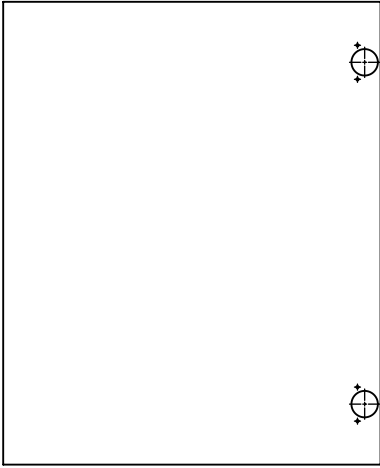


14. 350x160x16 mm x3

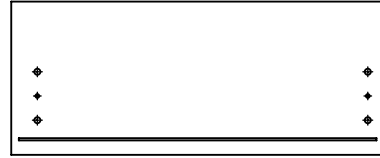


x3



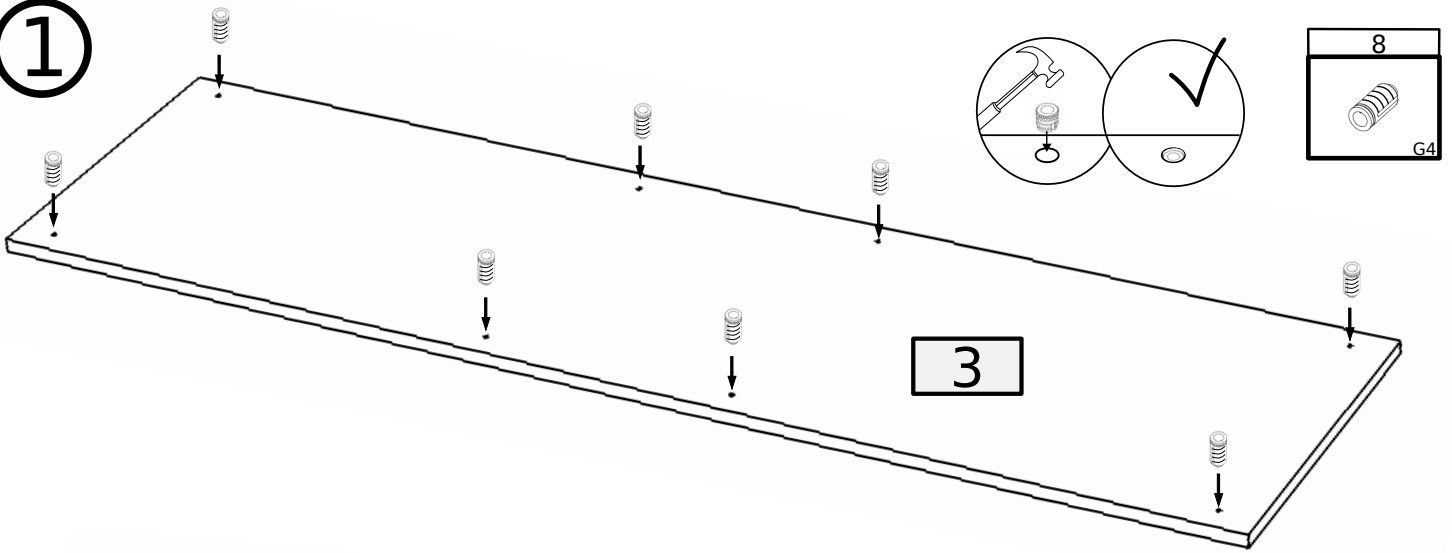


11. 612x499x16 mm x2

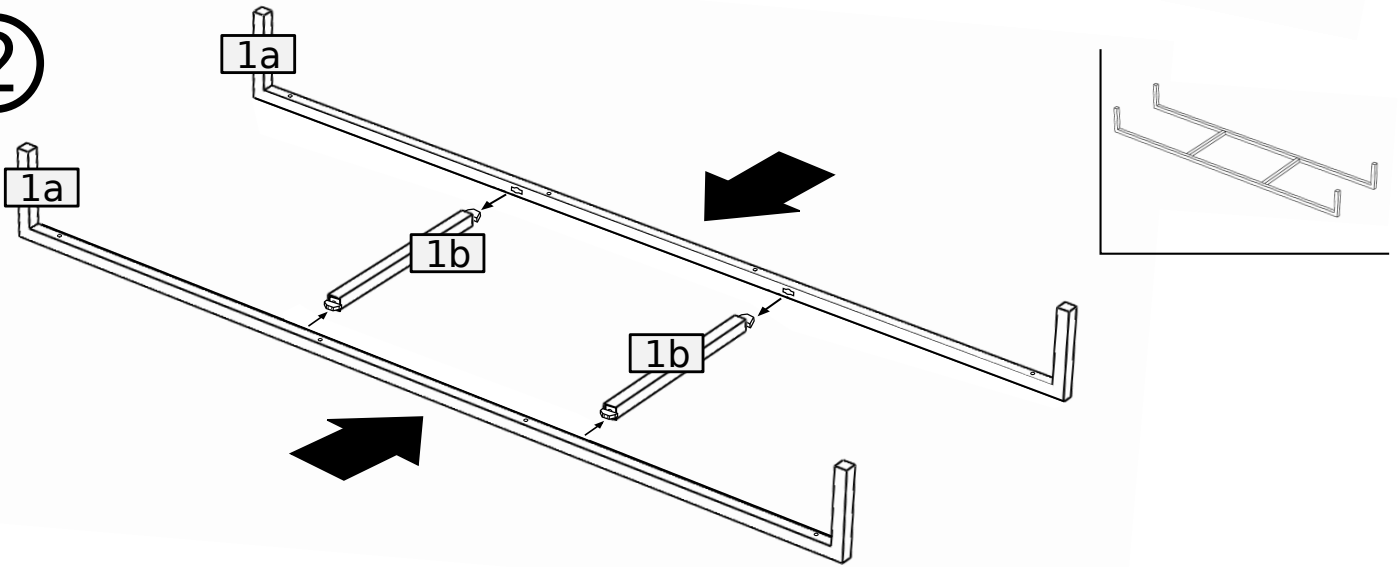


16. 492x202x16 mm x3

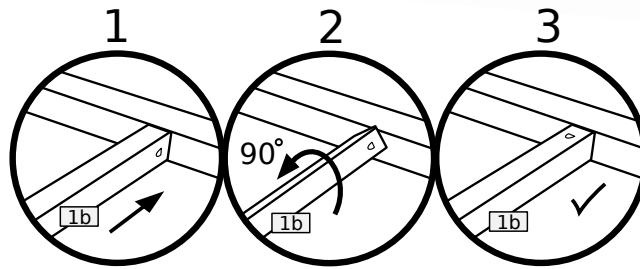
1



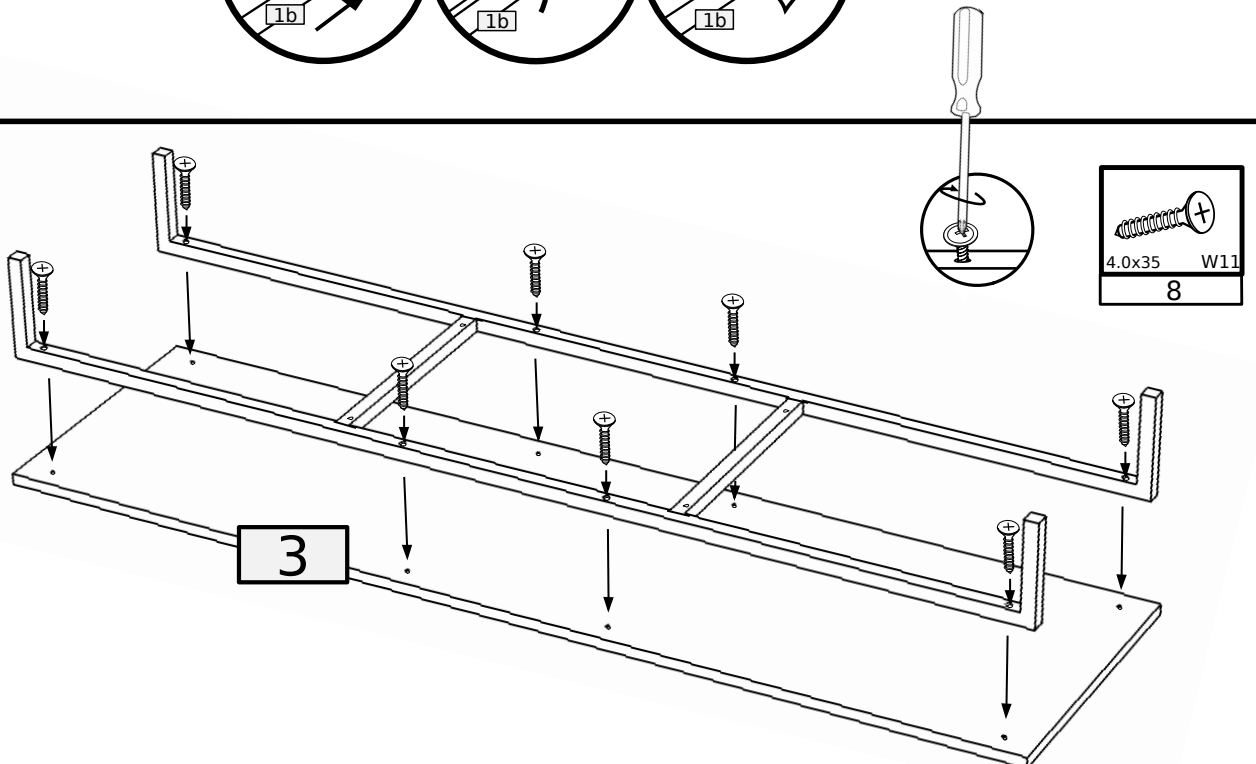
2



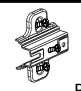
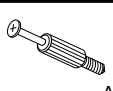
3

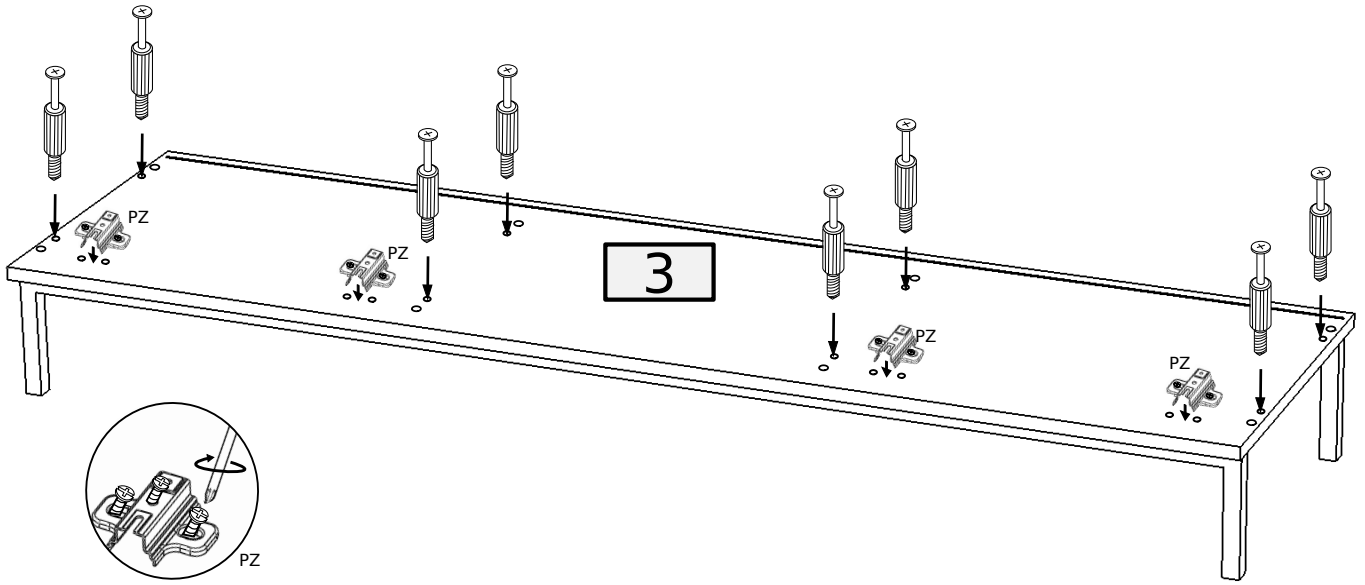


4


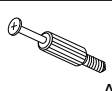


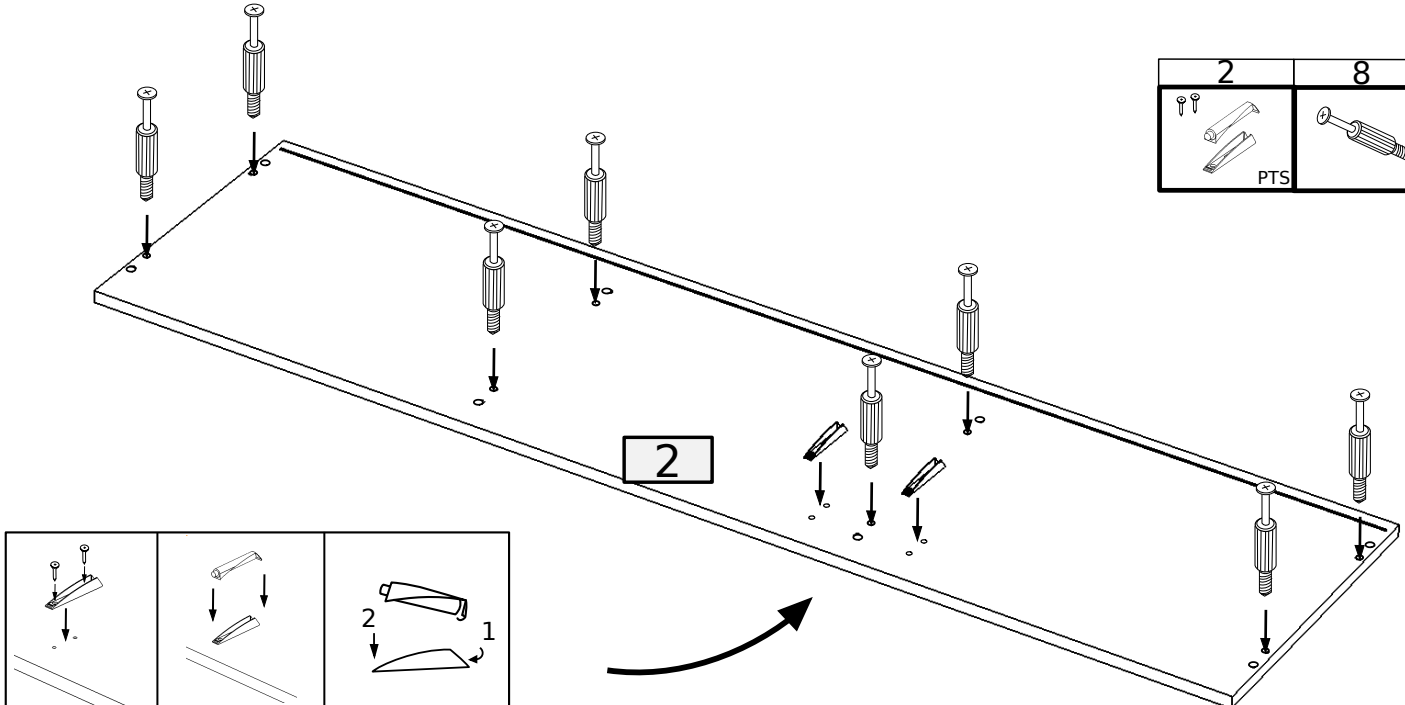
5

4	8
	
PZ	A

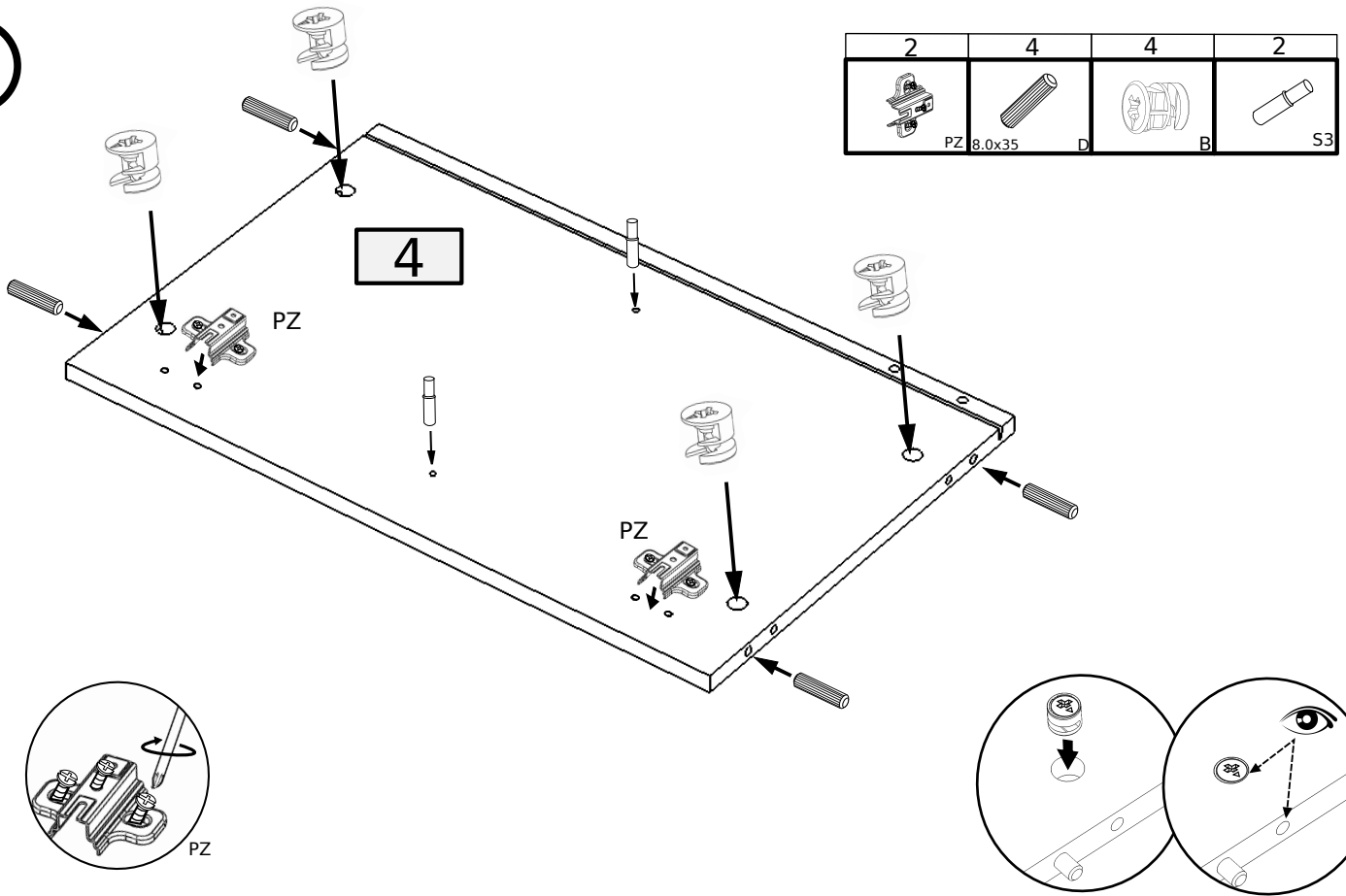


6

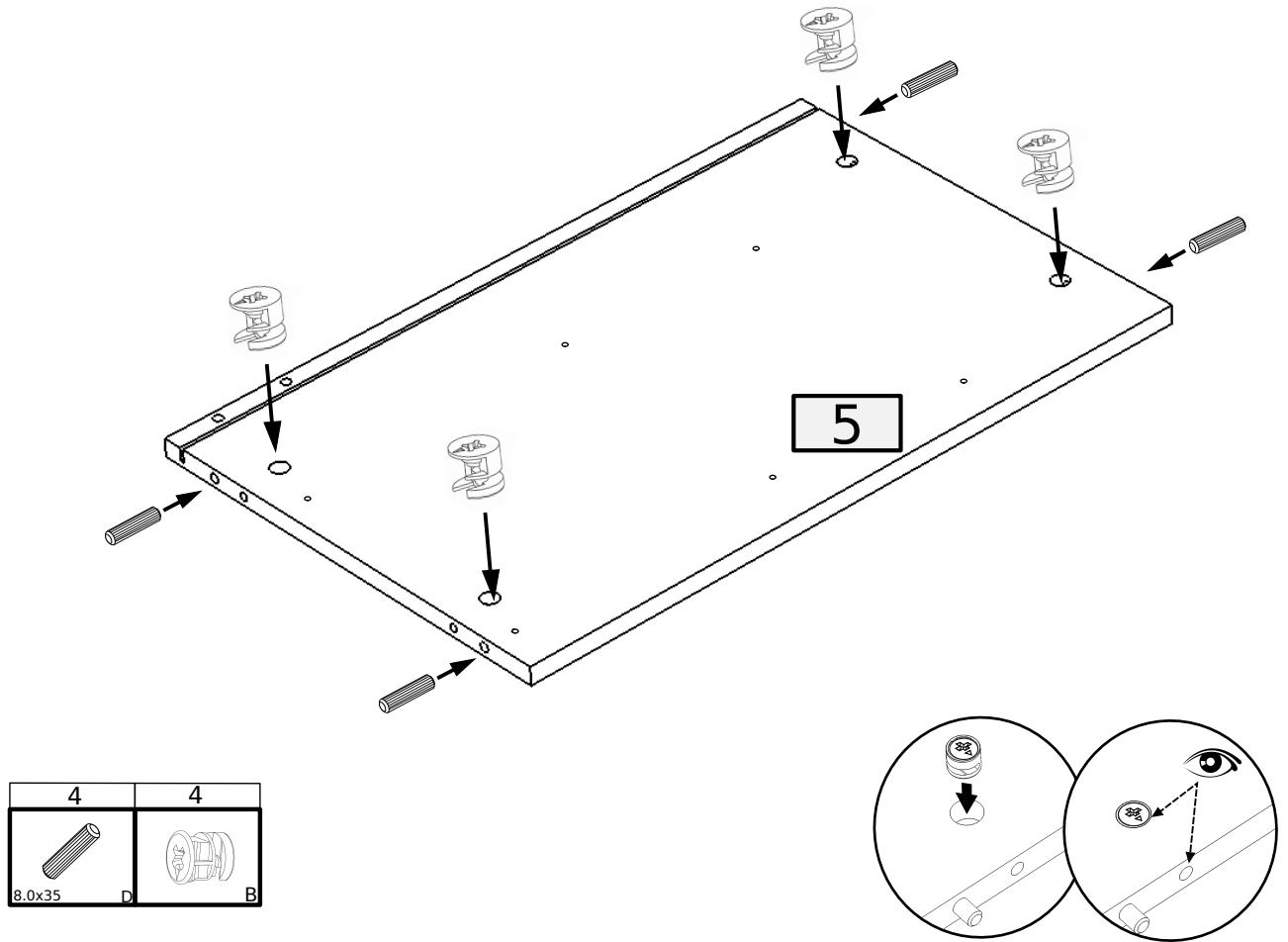
2	8
	
PTS	A



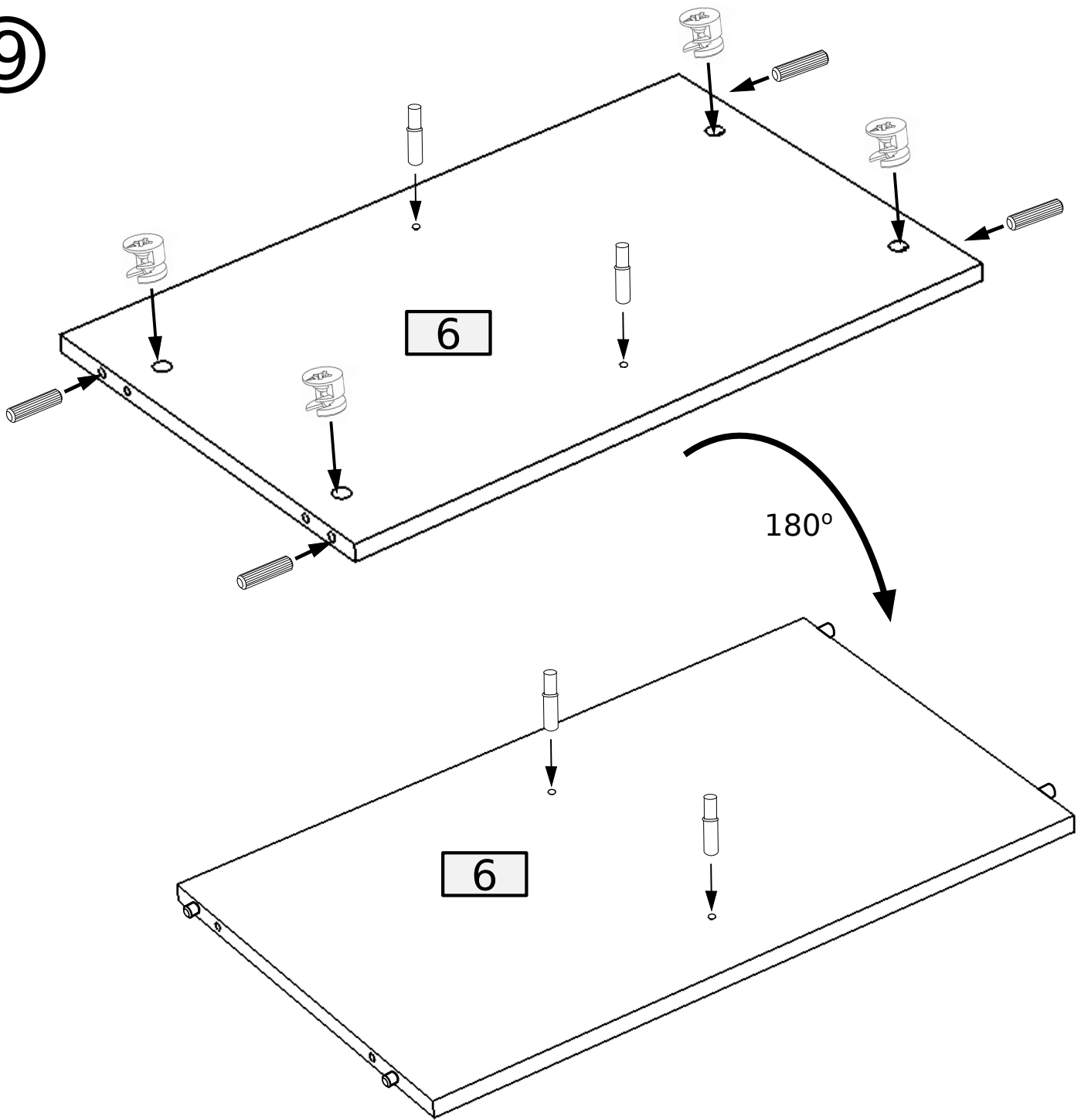
7



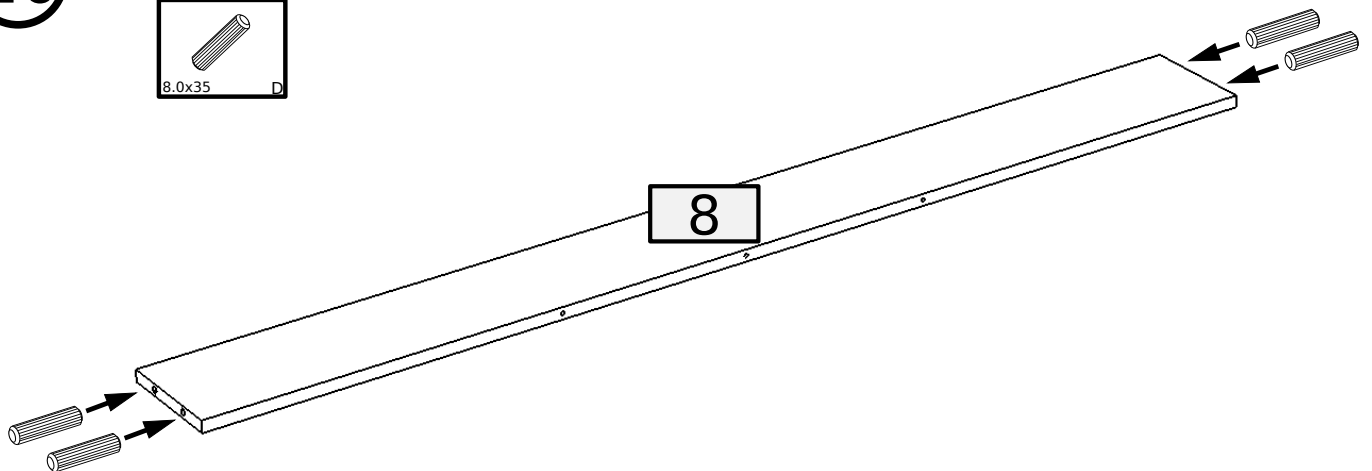
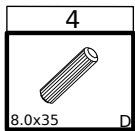
8



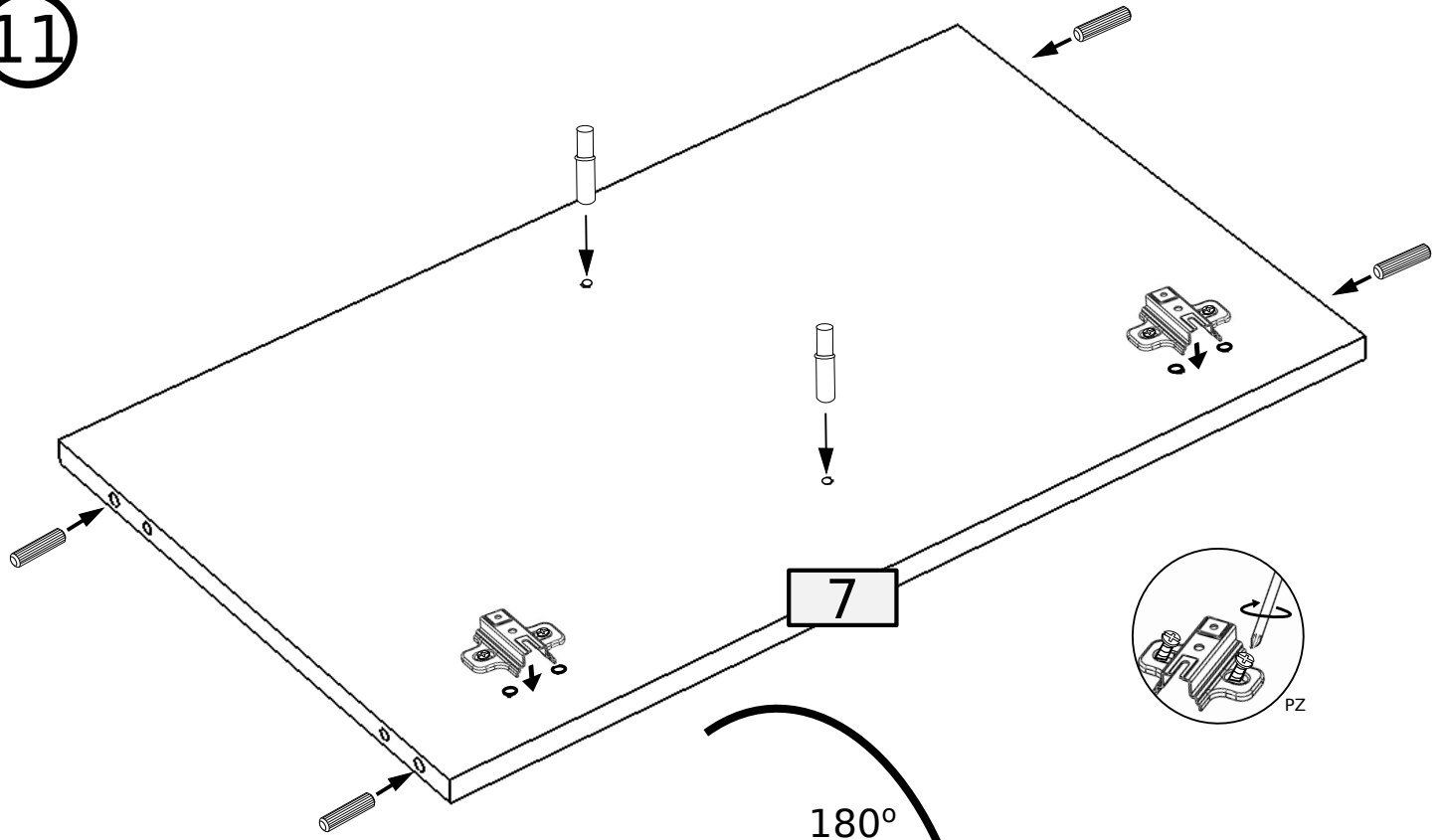
9



10

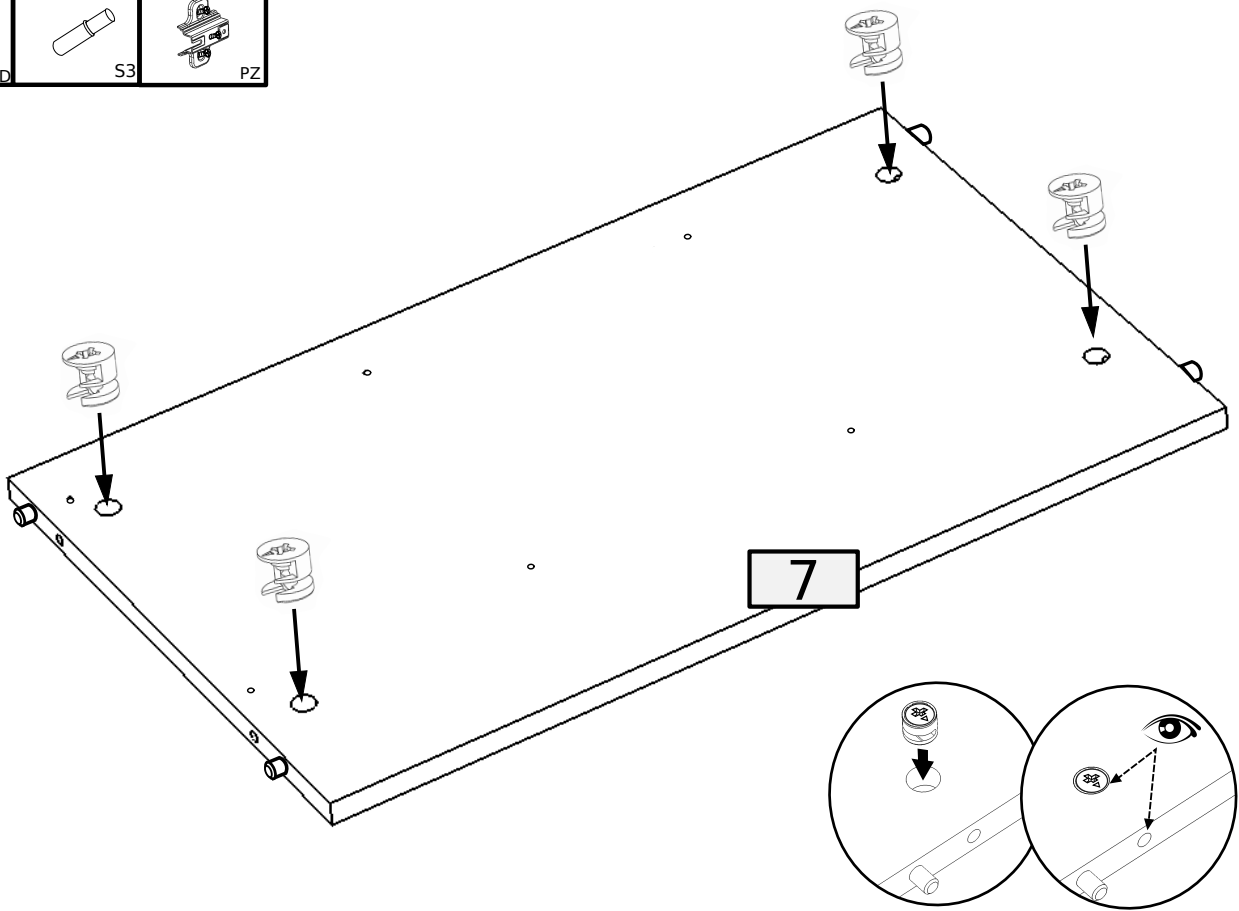


11

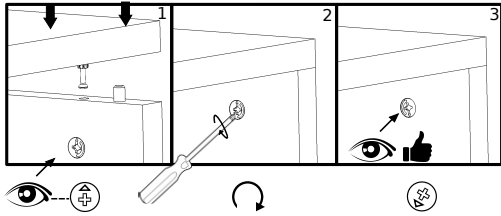
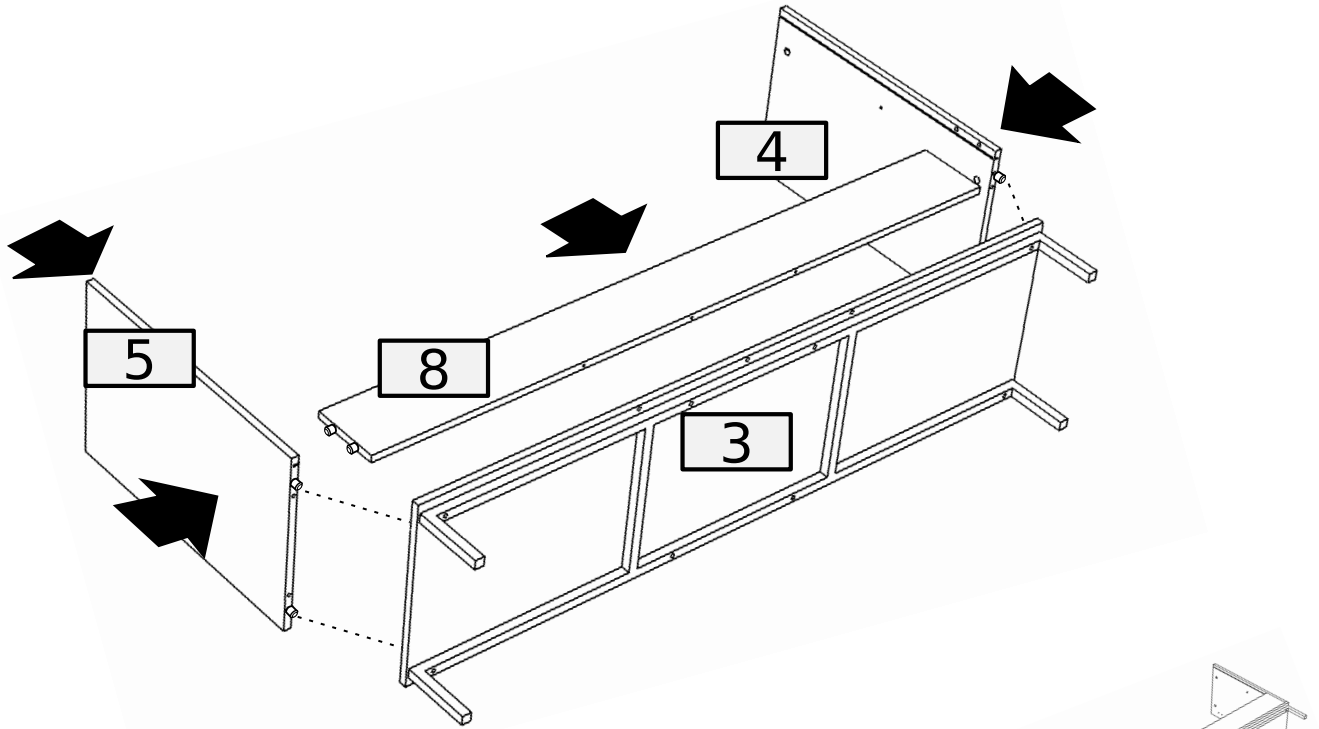


4	2	2
8.0x35	S3	PZ

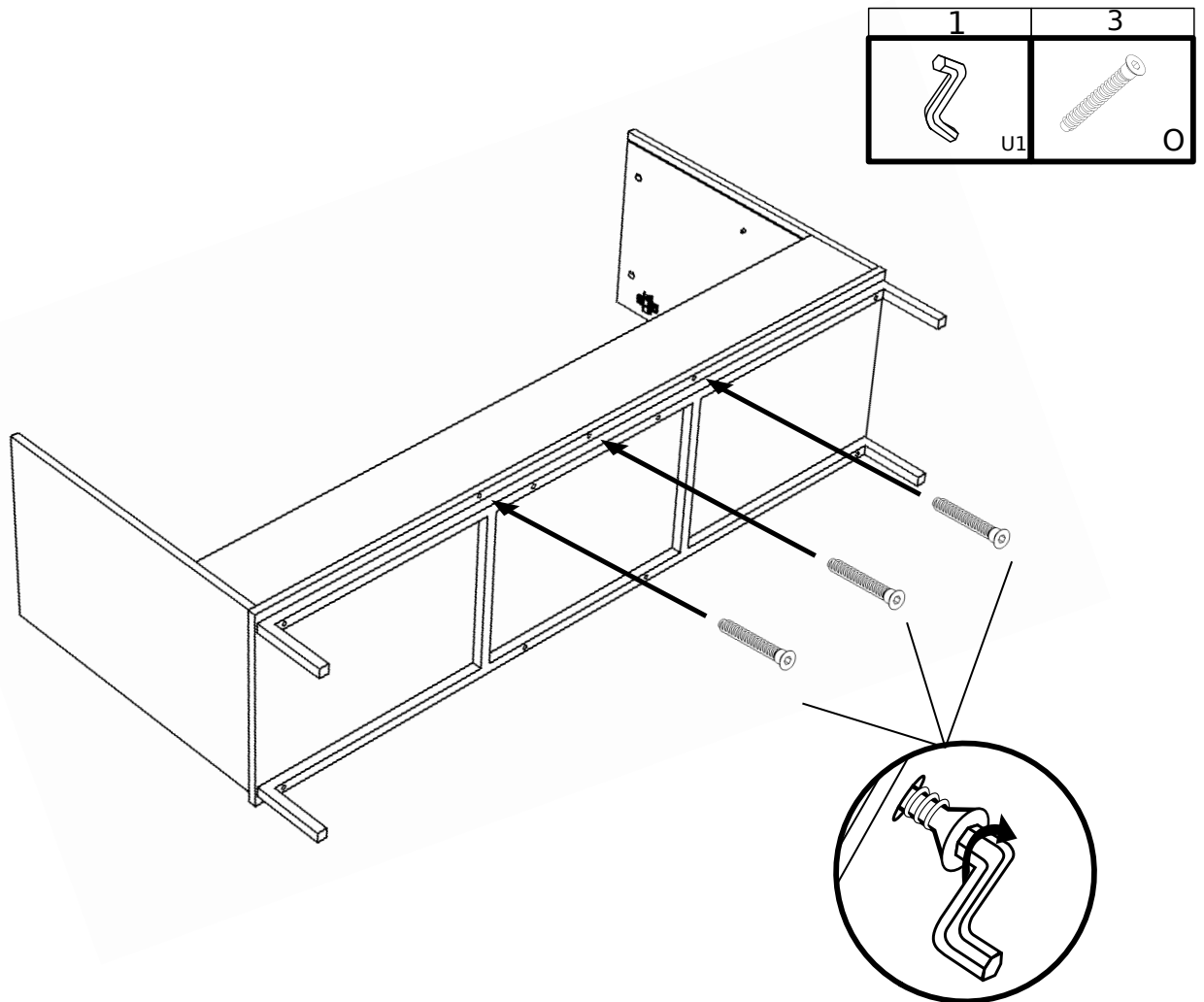
4
B



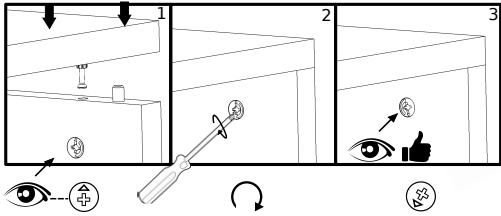
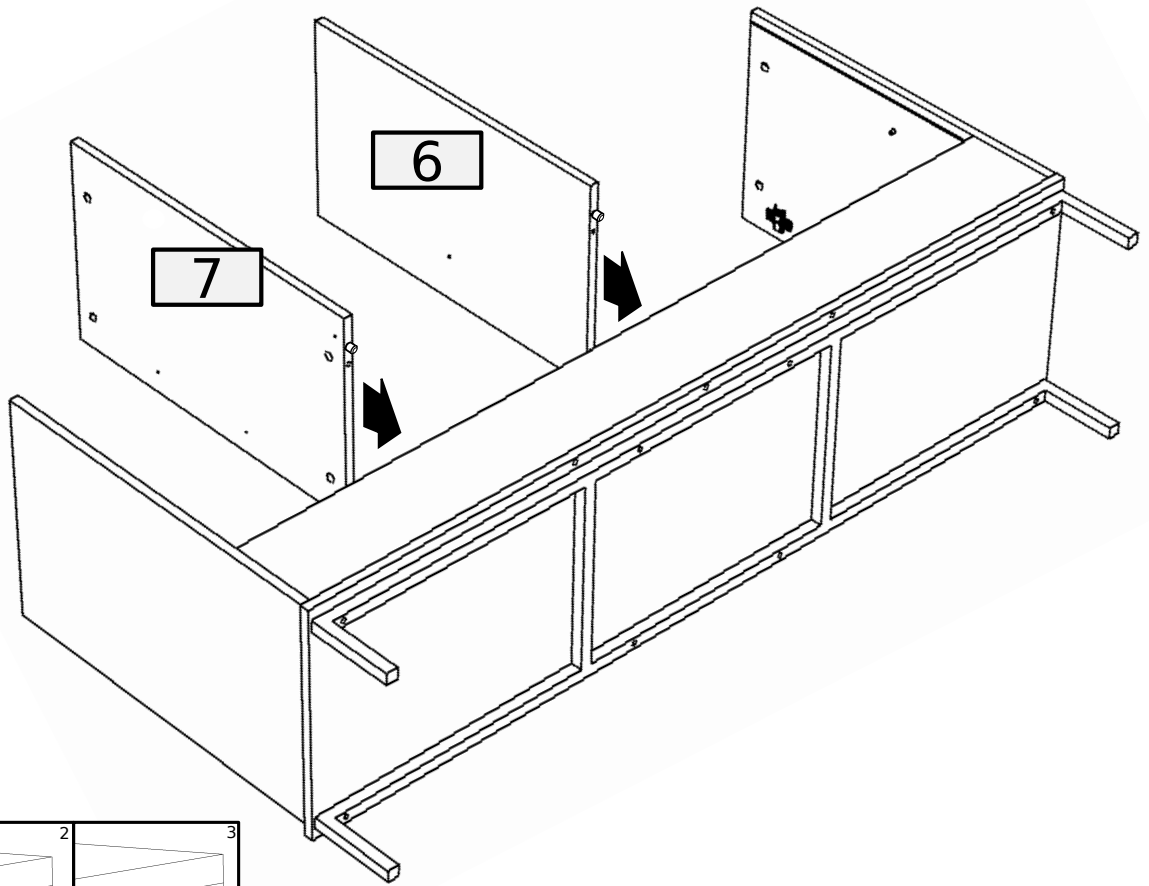
12



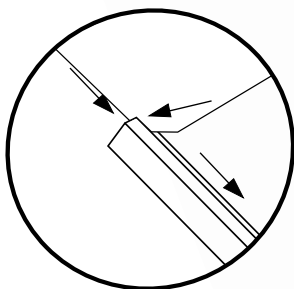
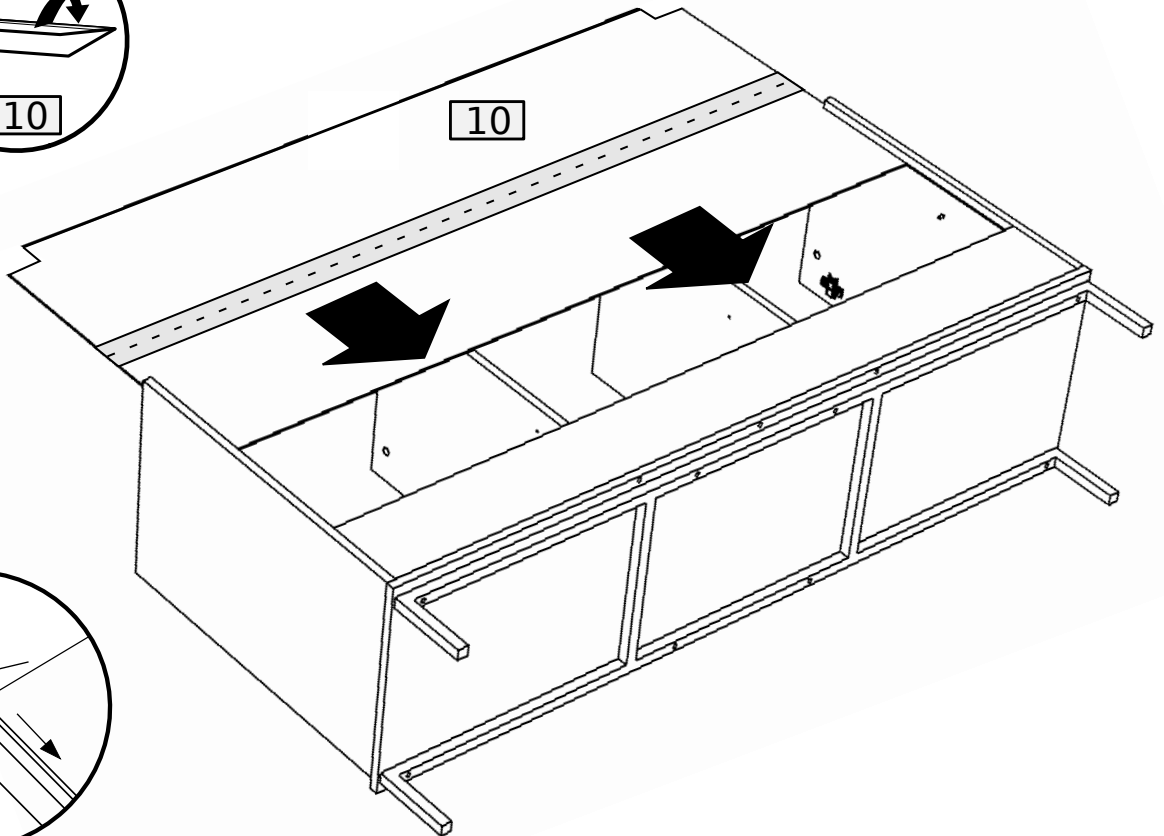
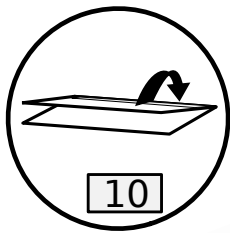
13



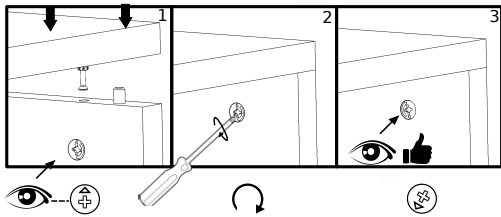
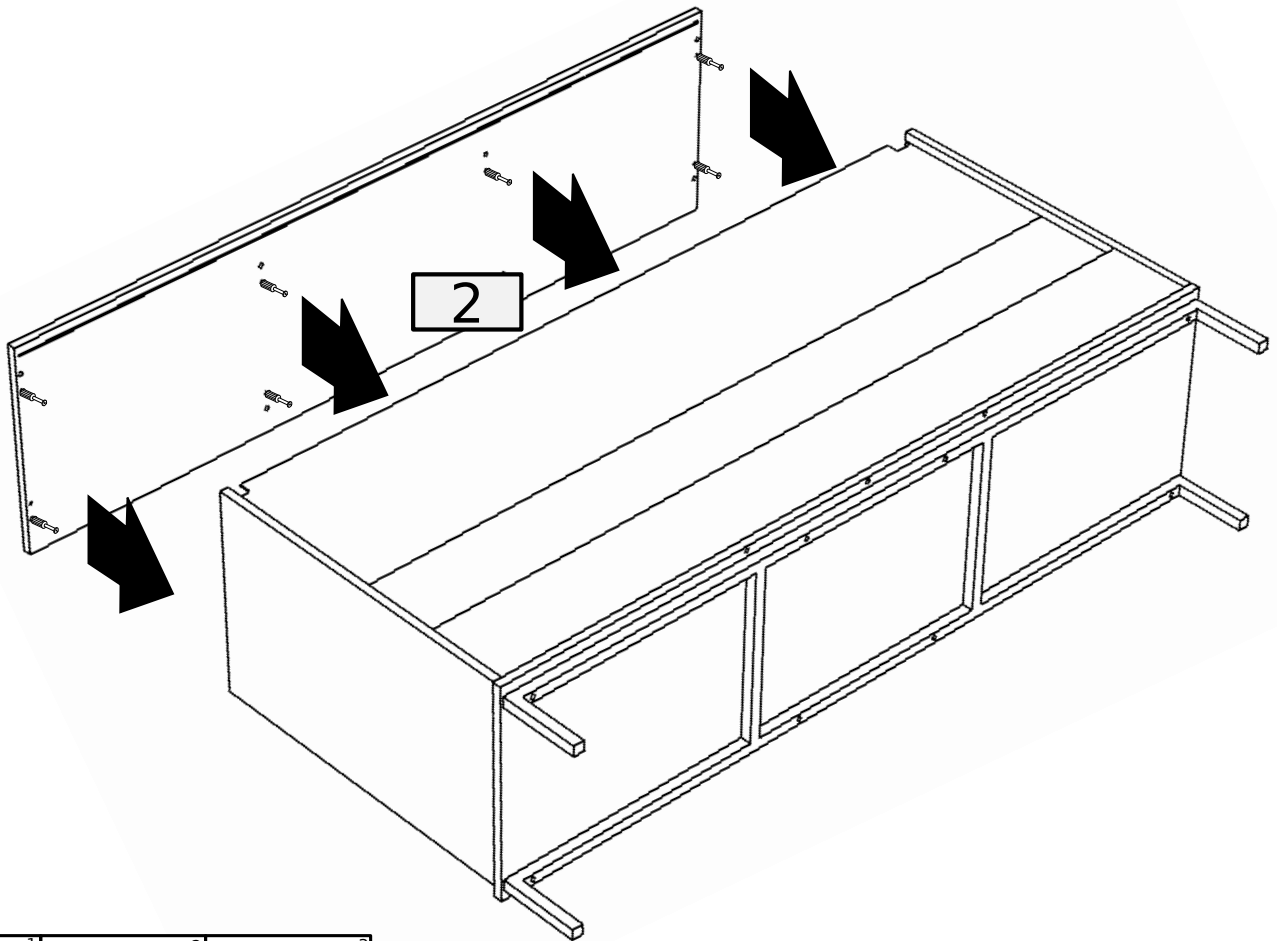
14



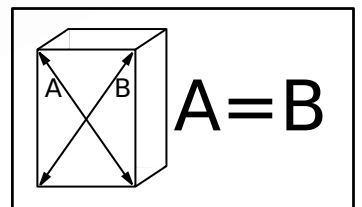
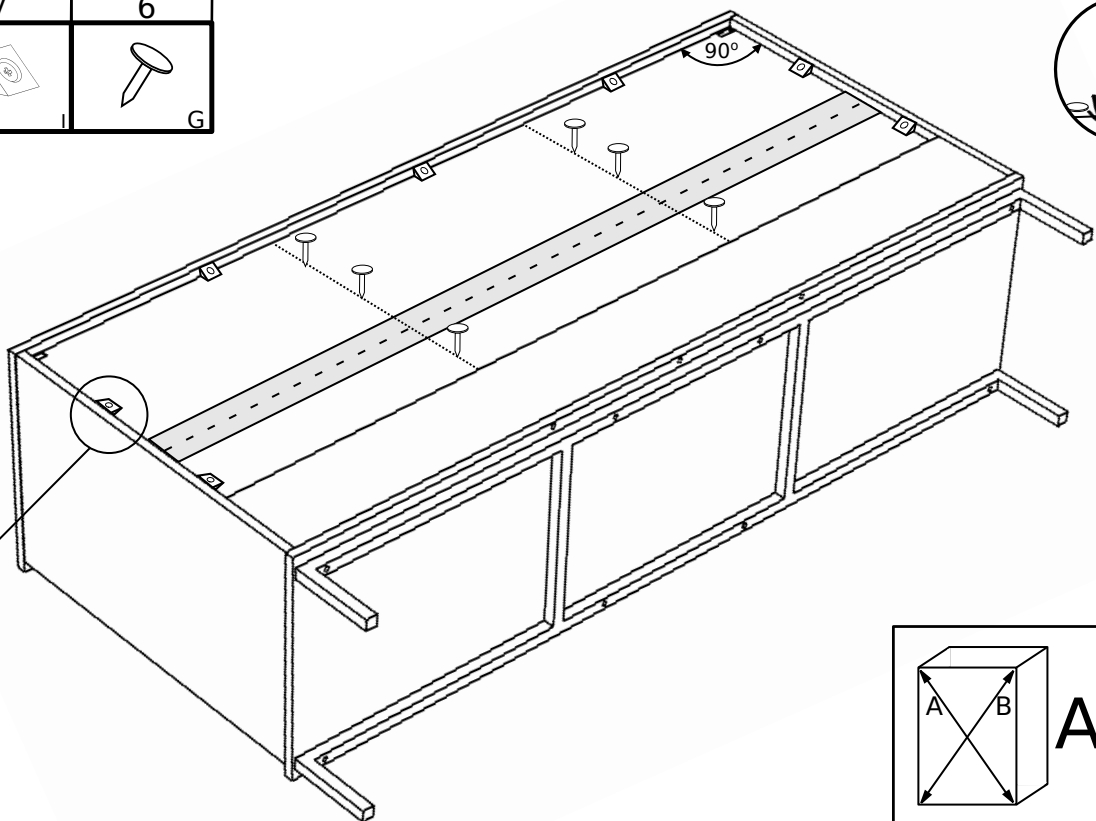
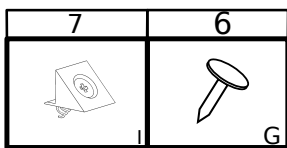
15



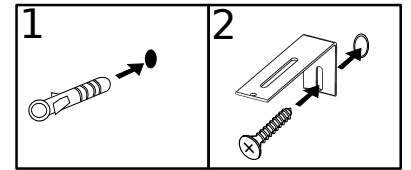
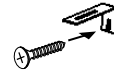
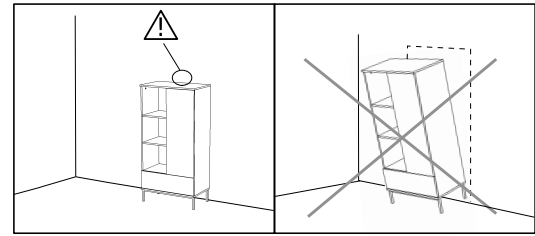
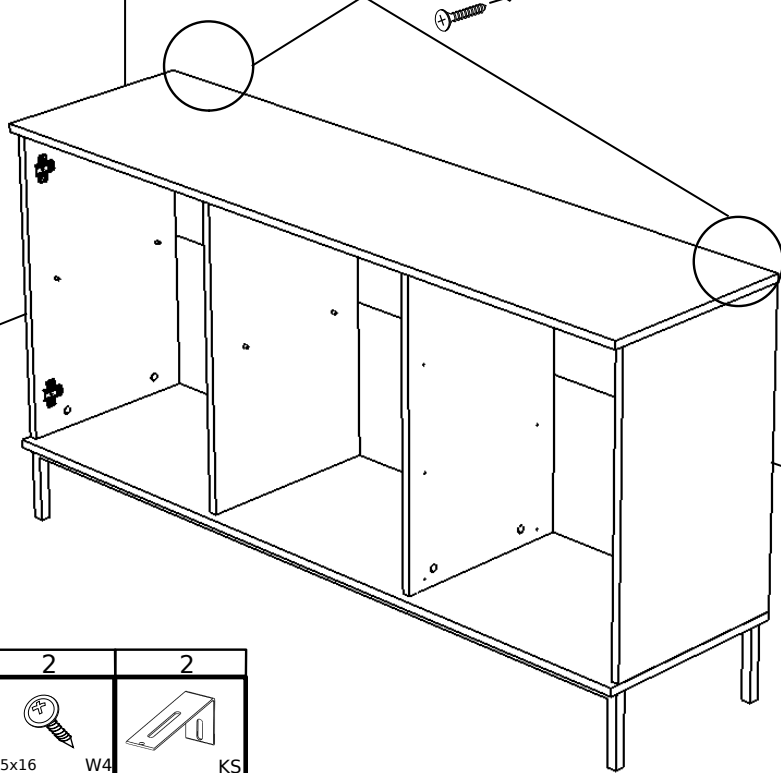
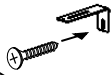
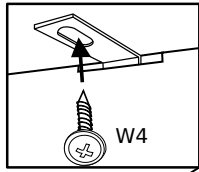
16



17

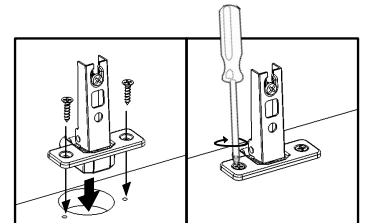
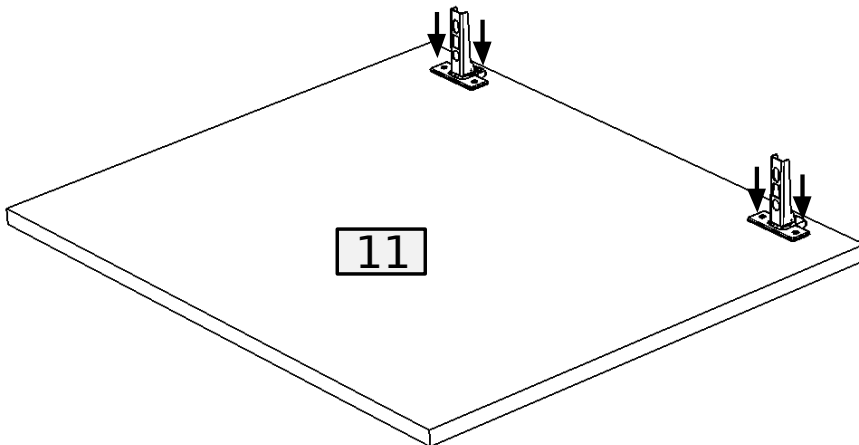


18



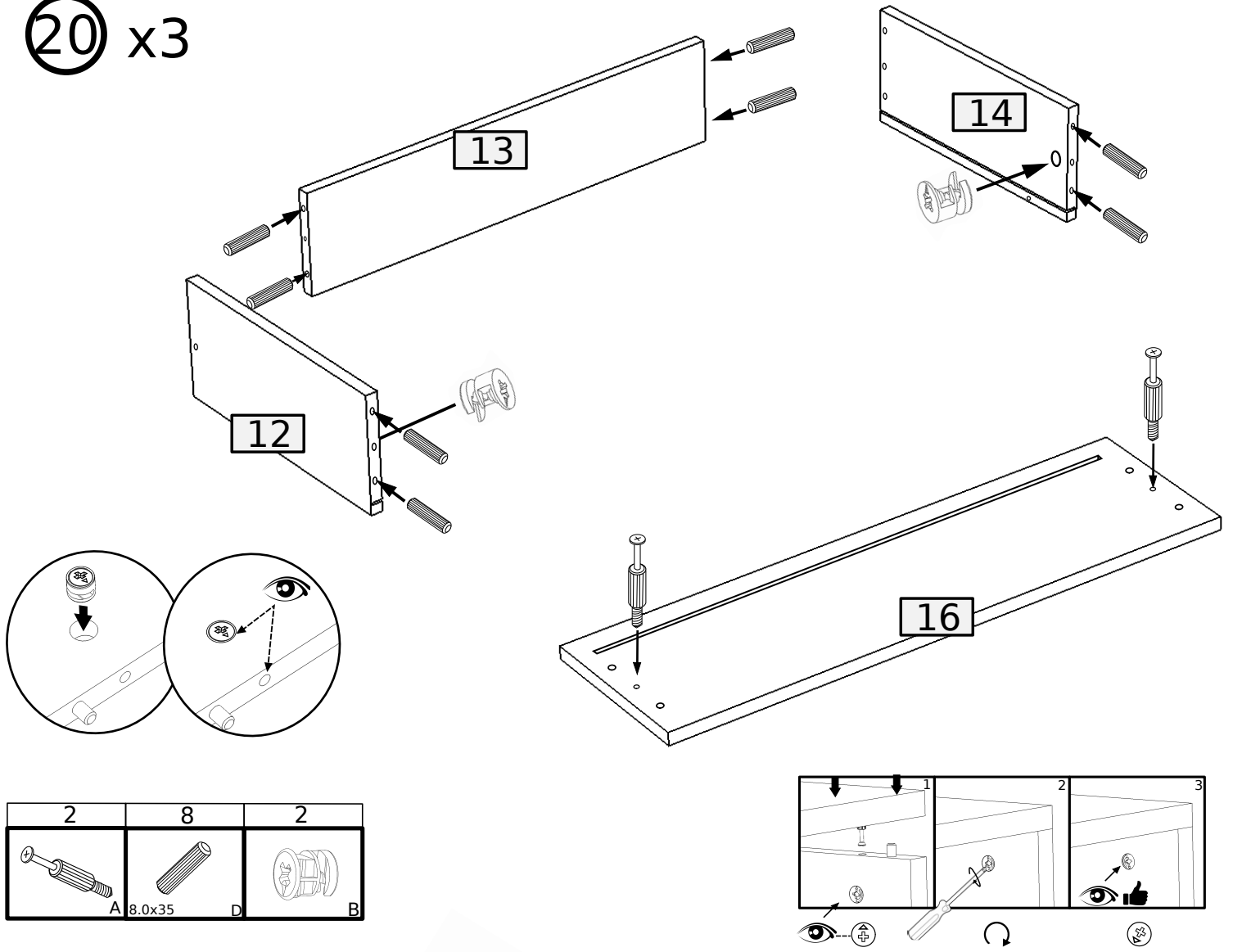
2	2
3.5x16 W4	KS

19 x2

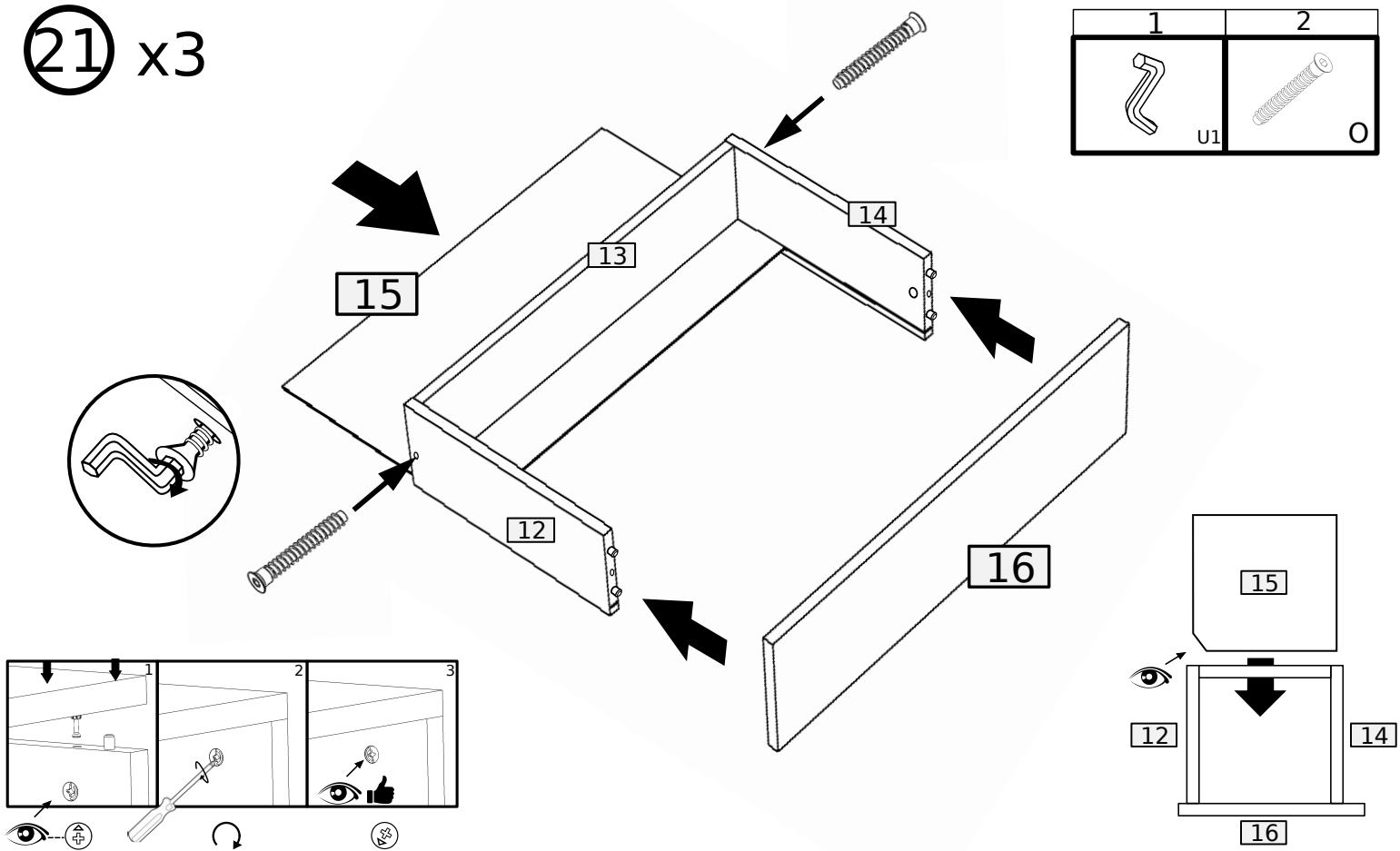


3.5x16 W2	Z1
4	2

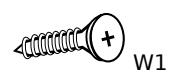
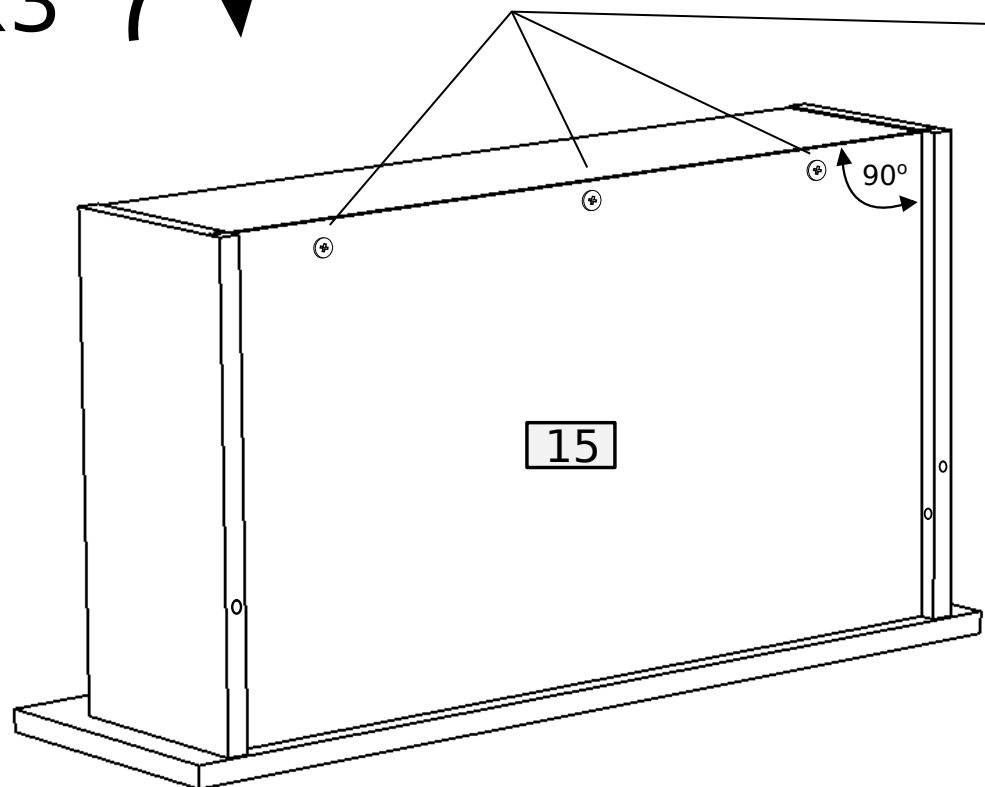
20 x3



21 x3

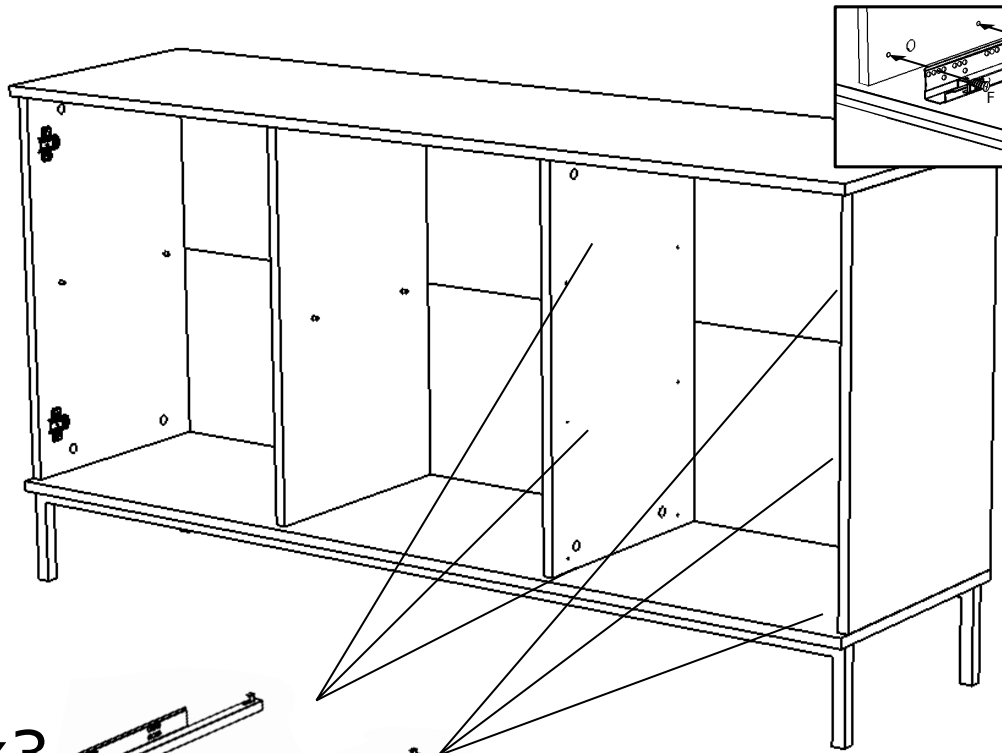


22 x 3

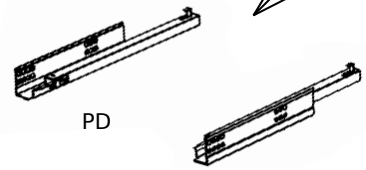


3
3.0x20 W1

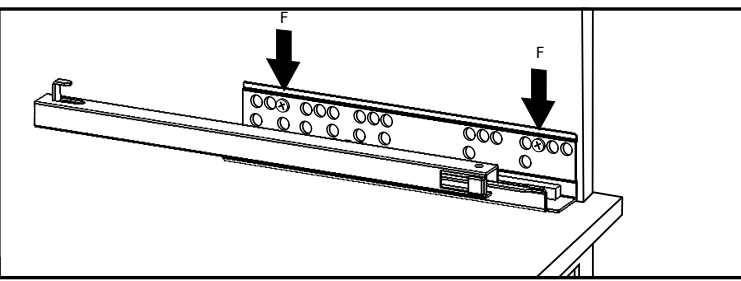
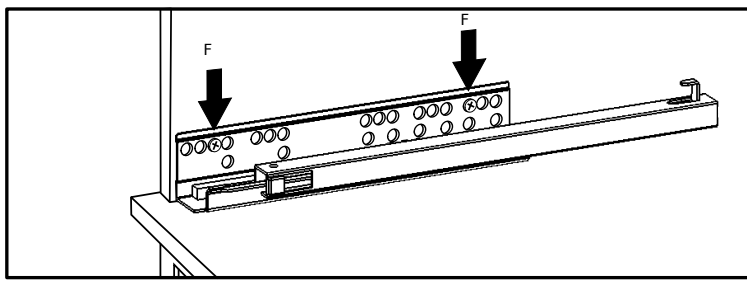
23



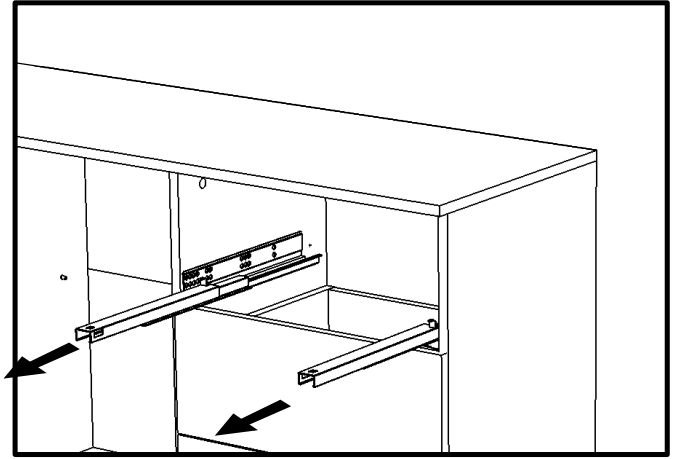
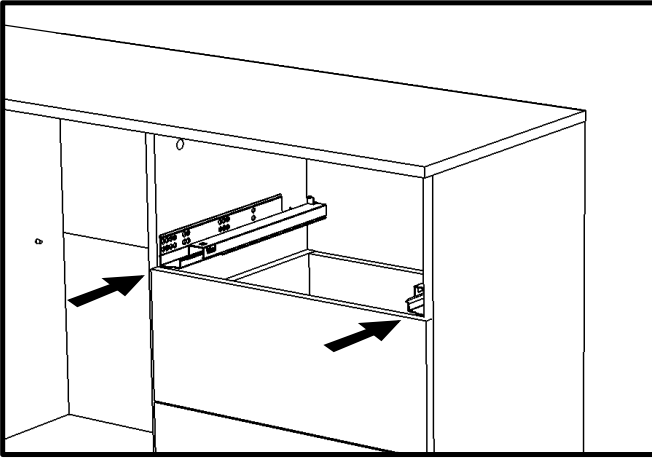
x3



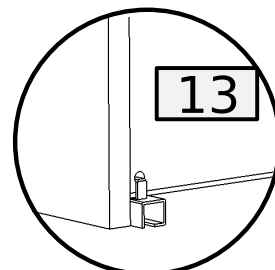
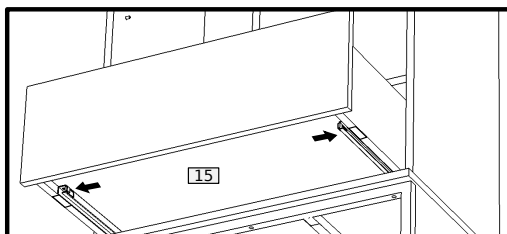
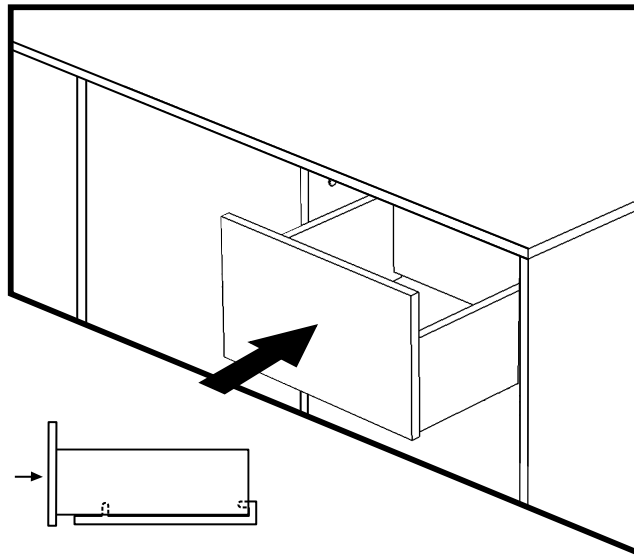
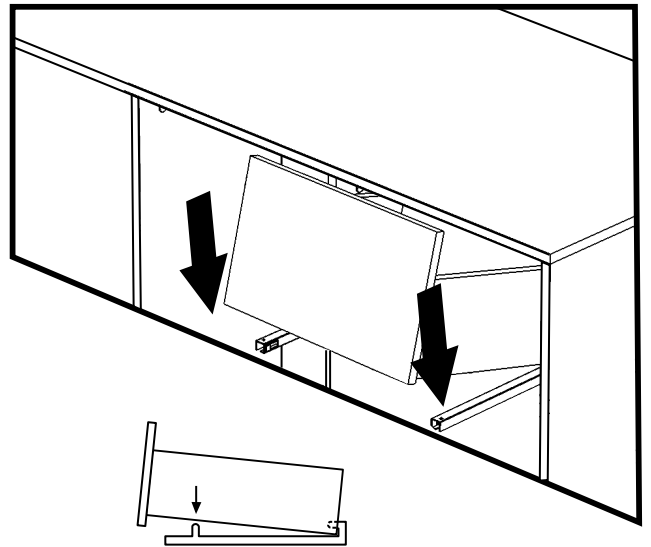
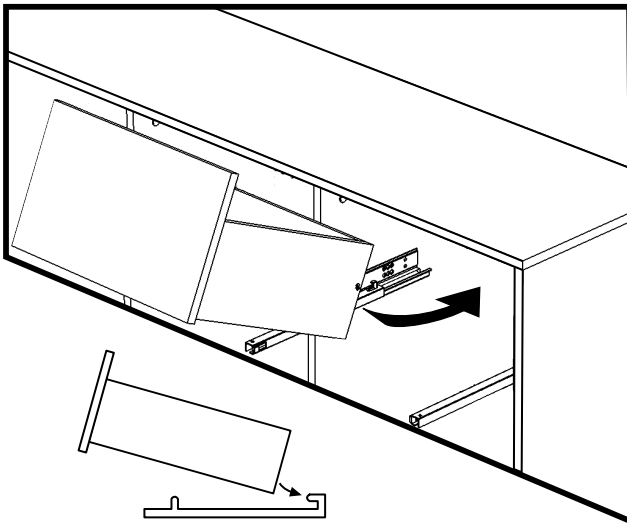
12	3
6.3x13	F PD



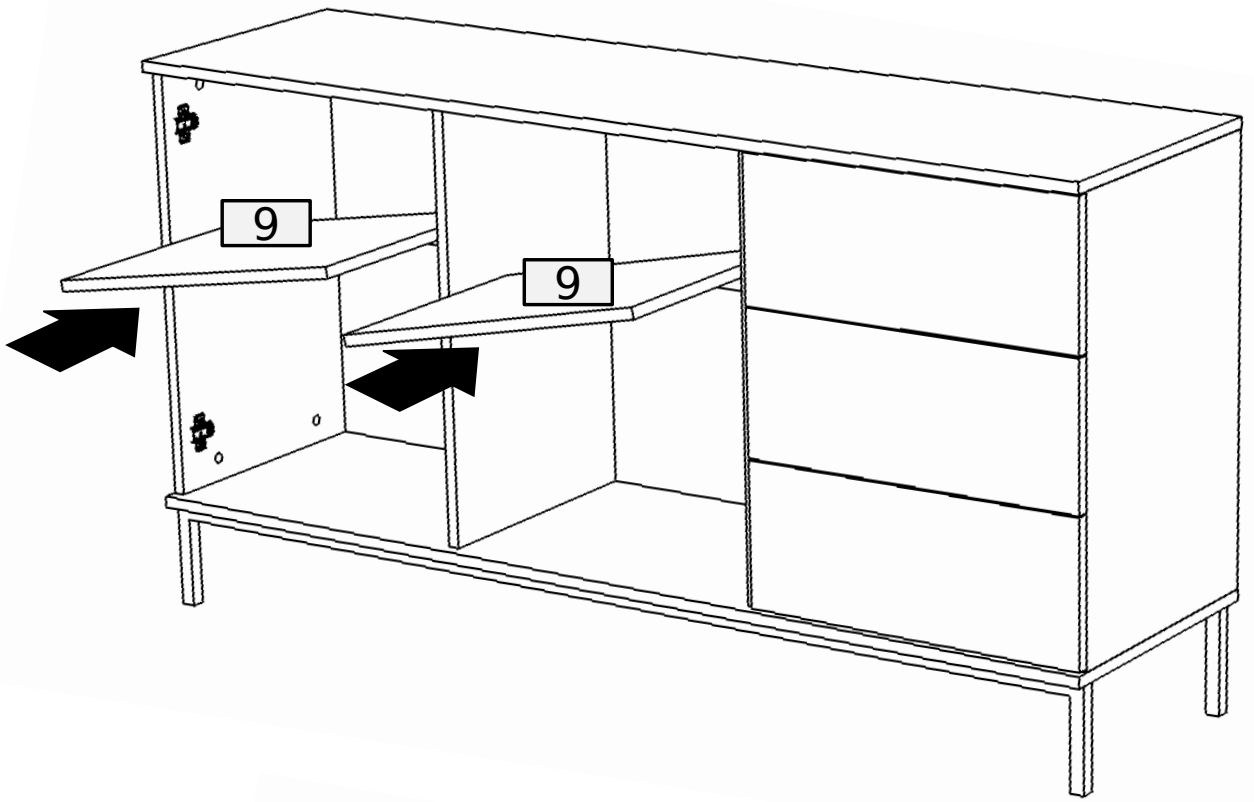
24 x3



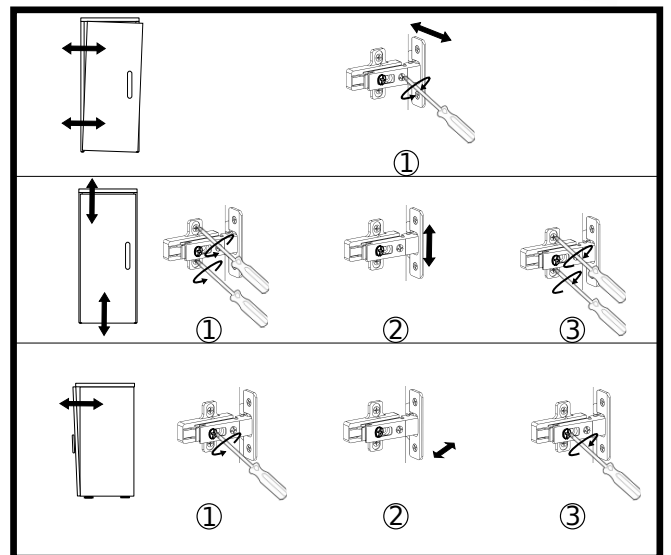
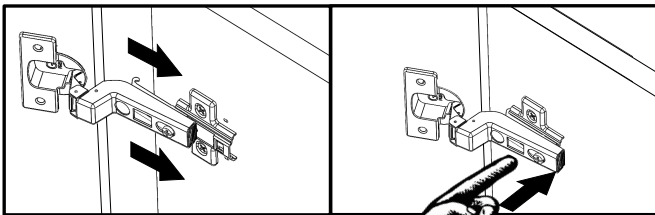
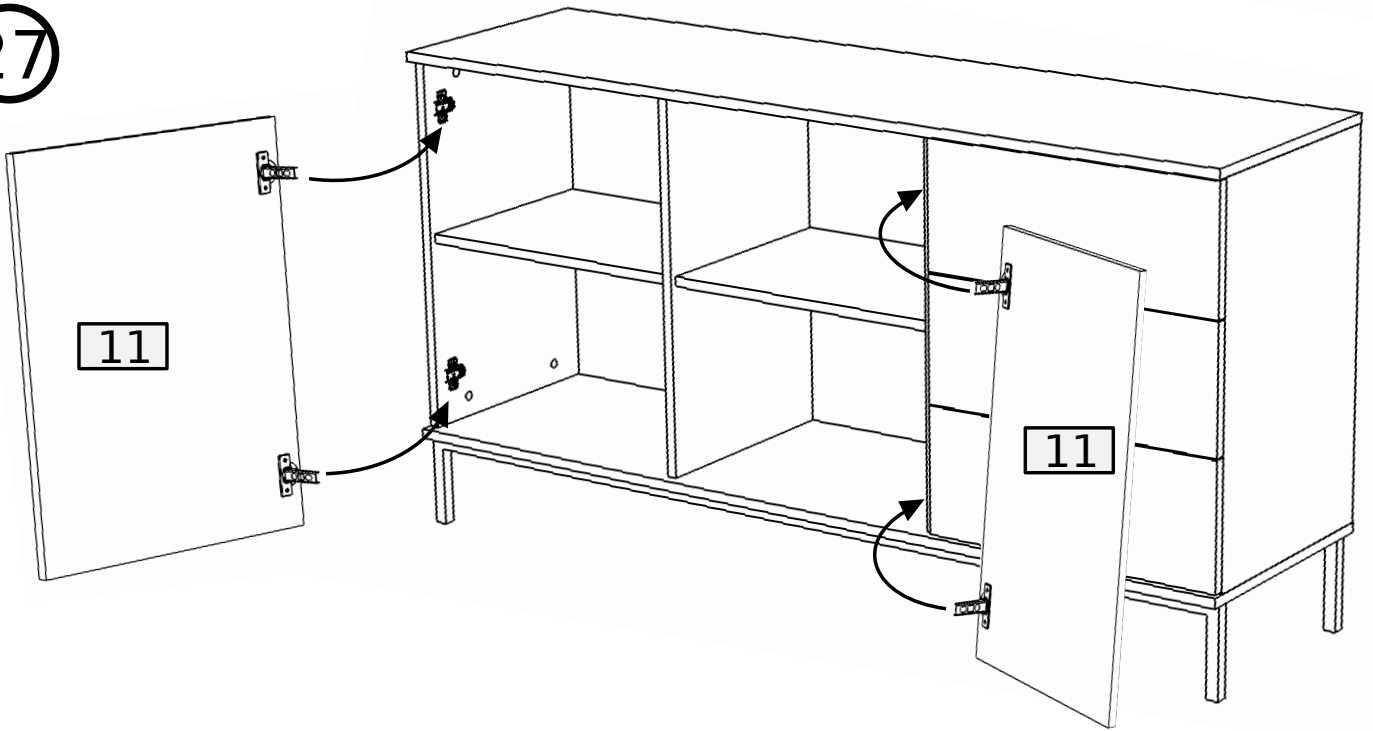
25
x3



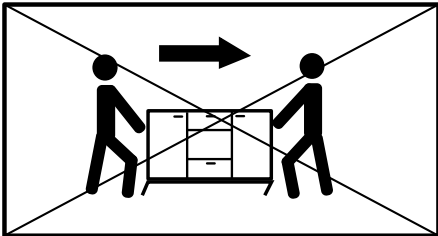
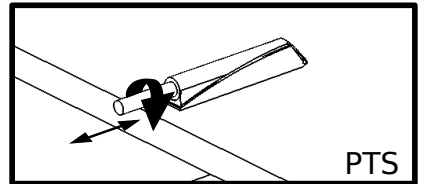
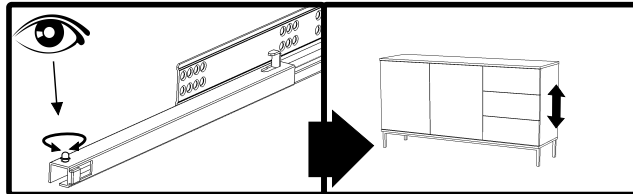
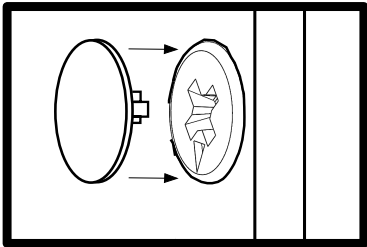
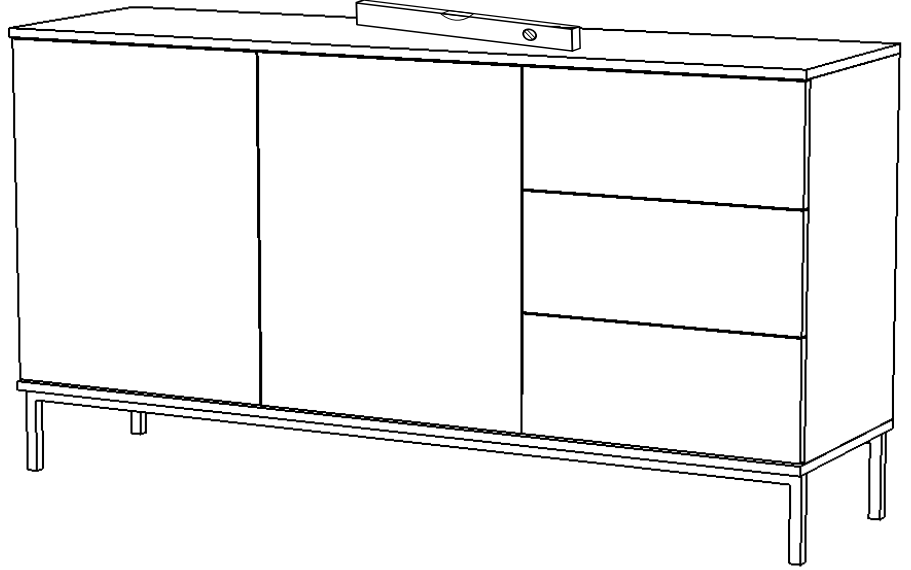
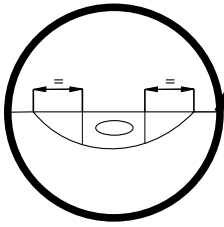
26



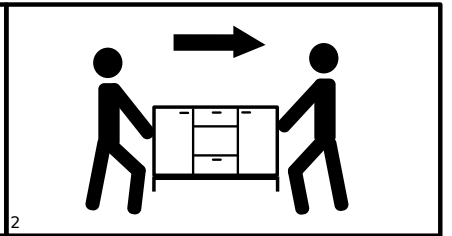
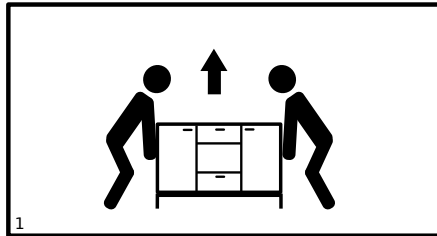
27



28



✗



✓

