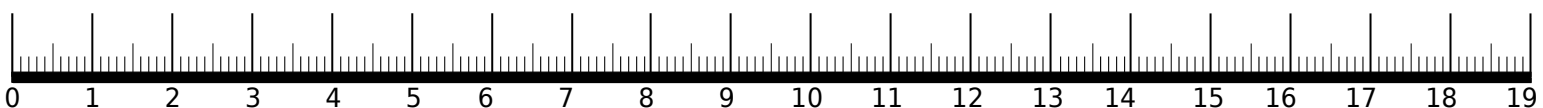
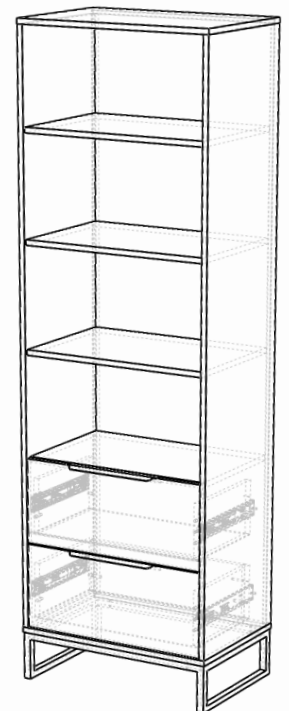
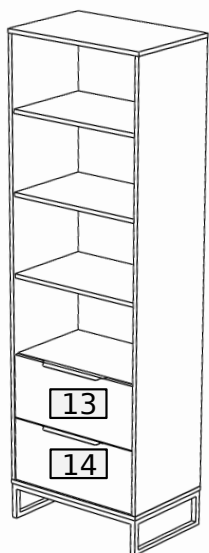
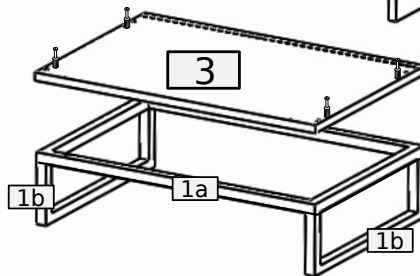
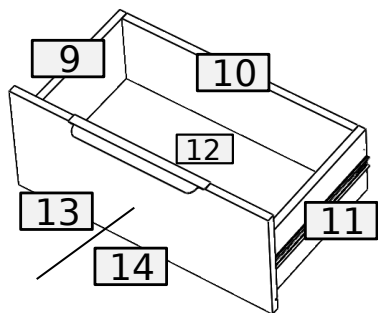
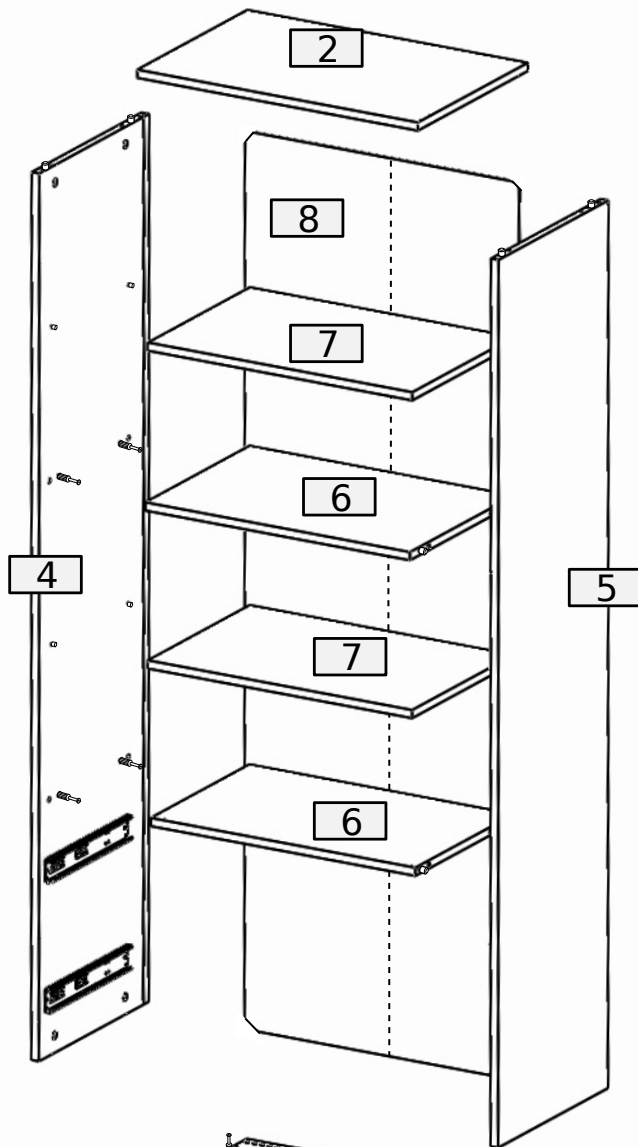


24	24	32	16	8	14	1
16	2	8	1	8	4	2

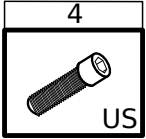
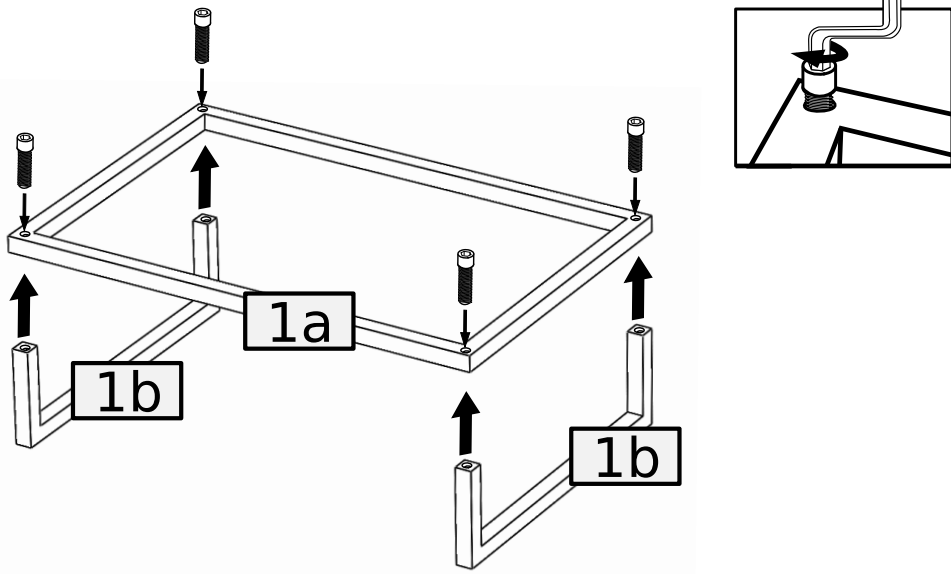
1	4	4
U2	US	4.0x35 W11



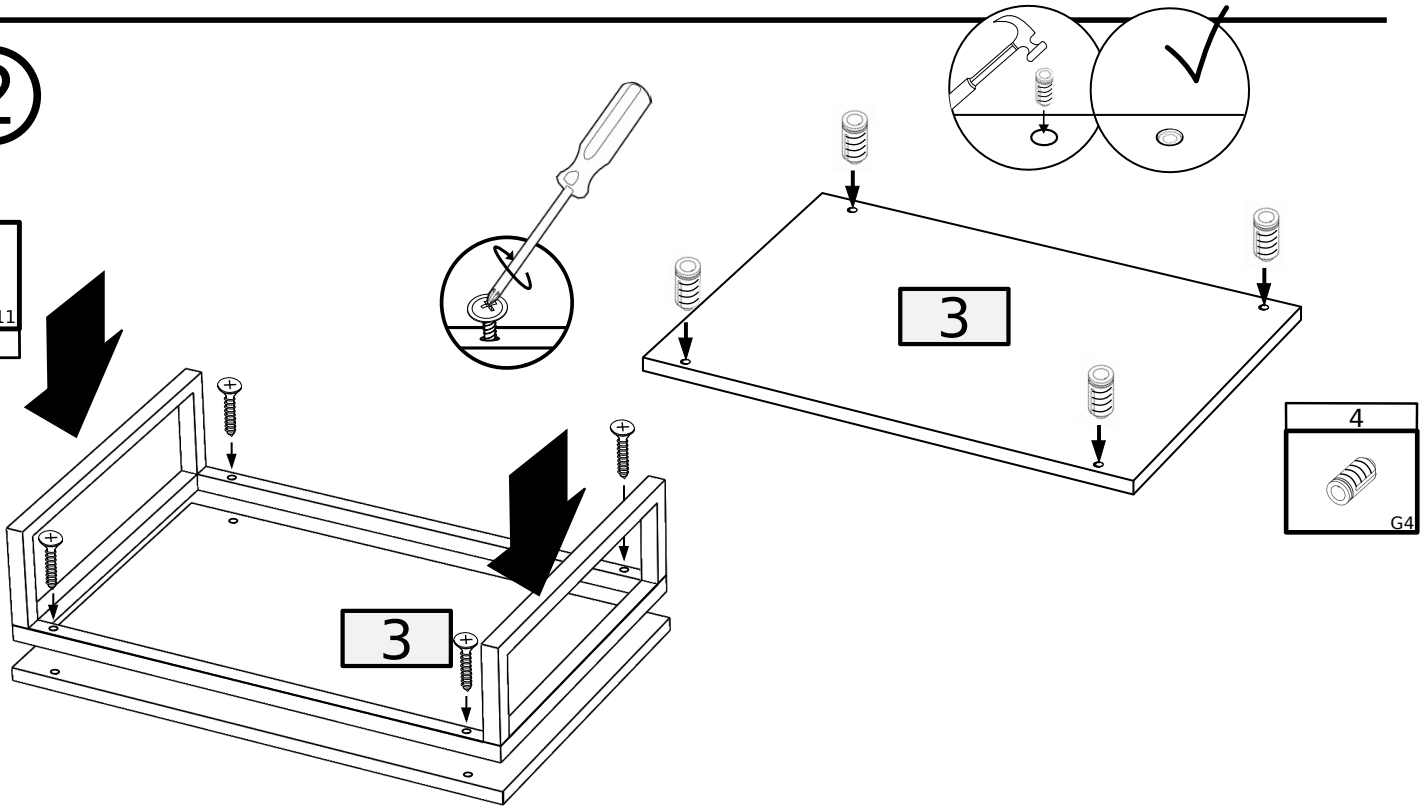
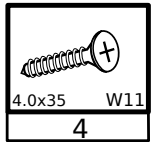


No.	Pcs.	L	W	D	Pac
1a	1	595	395	20	2/2
1b	1	120	395	20	2/2
2	1	600	400	16	2/2
3	1	600	400	16	2/2
4	1	1728	399	16	1/2
5	1	1728	399	16	1/2
6	2	566	359	16	1/2
7	2	566	359	16	1/2 2/2
8	1	1742	580	3	1/2
9	2	350	160	16	2/2
10	2	508	142	16	2/2
11	2	350	160	16	2/2
12	2	523	357	3	1/2
13	1	562	248	16	2/2
14	1	562	248	16	2/2

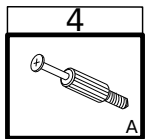
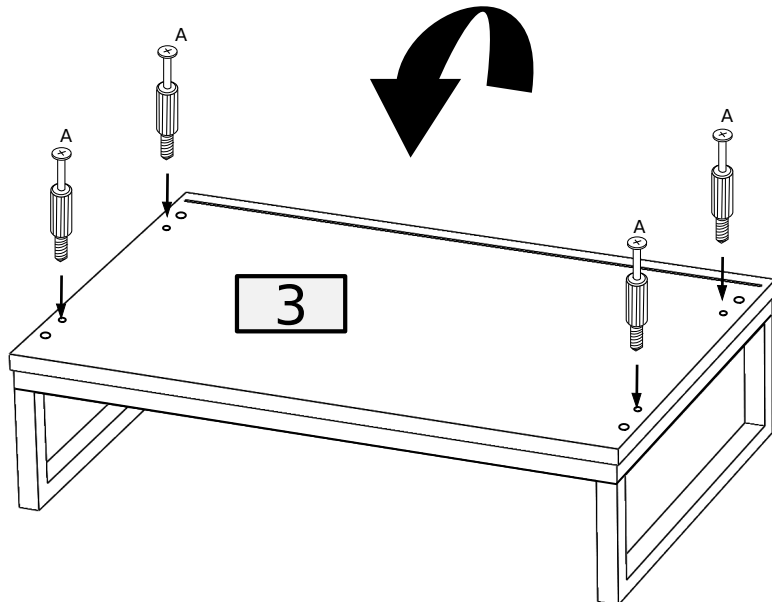
①



②

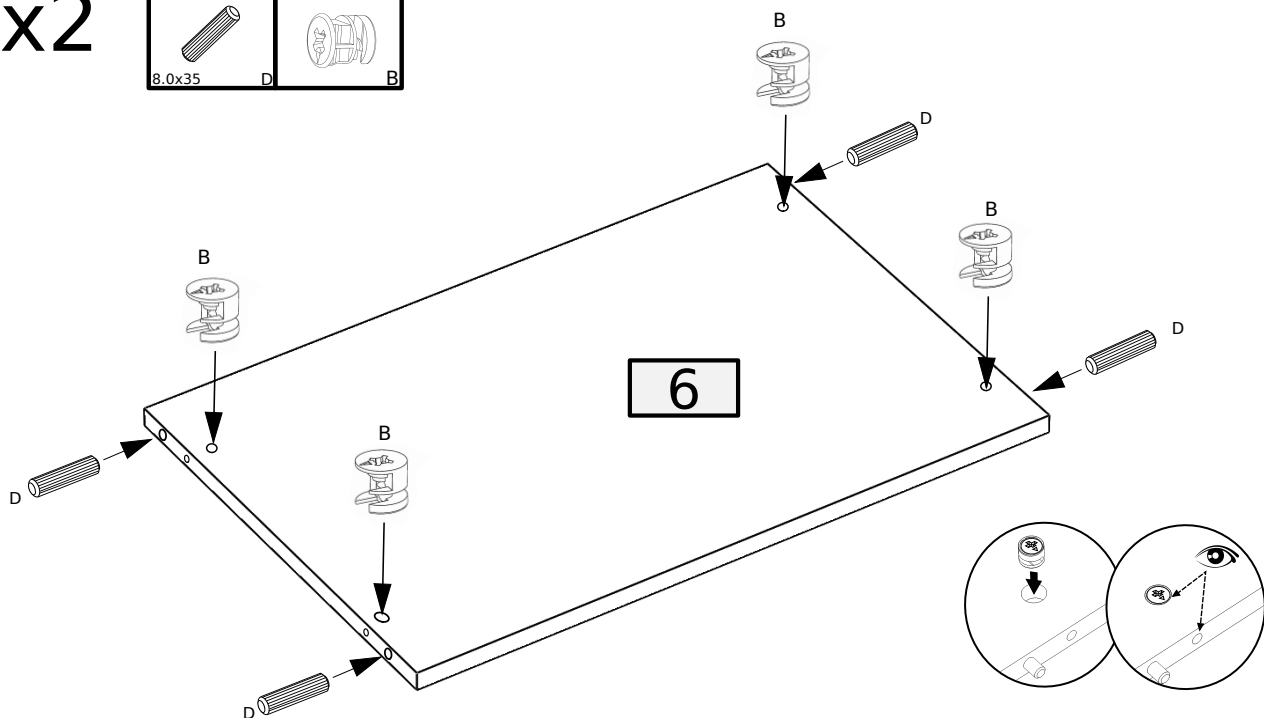
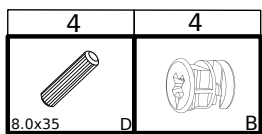


③

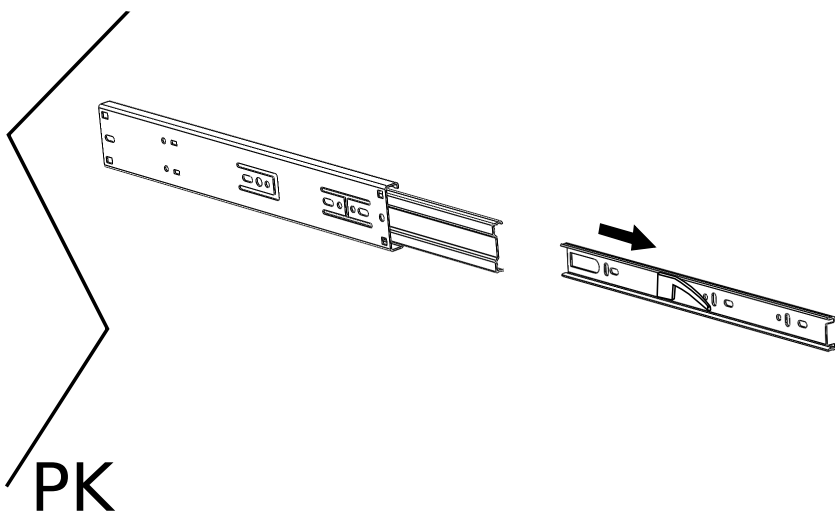
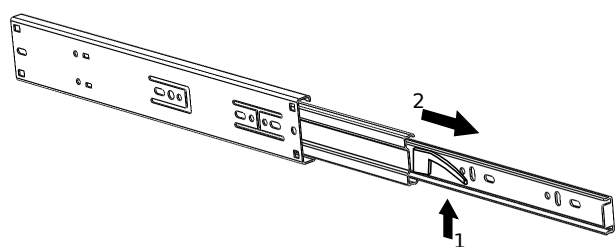
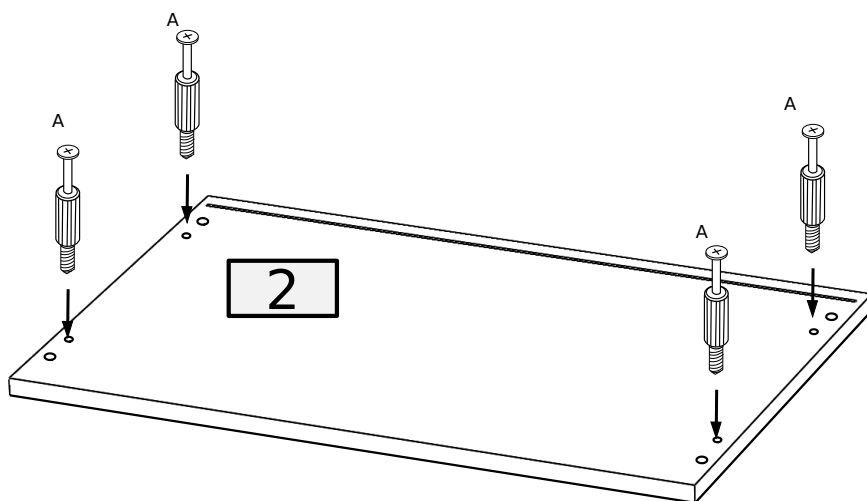
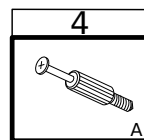




④ x2



⑤

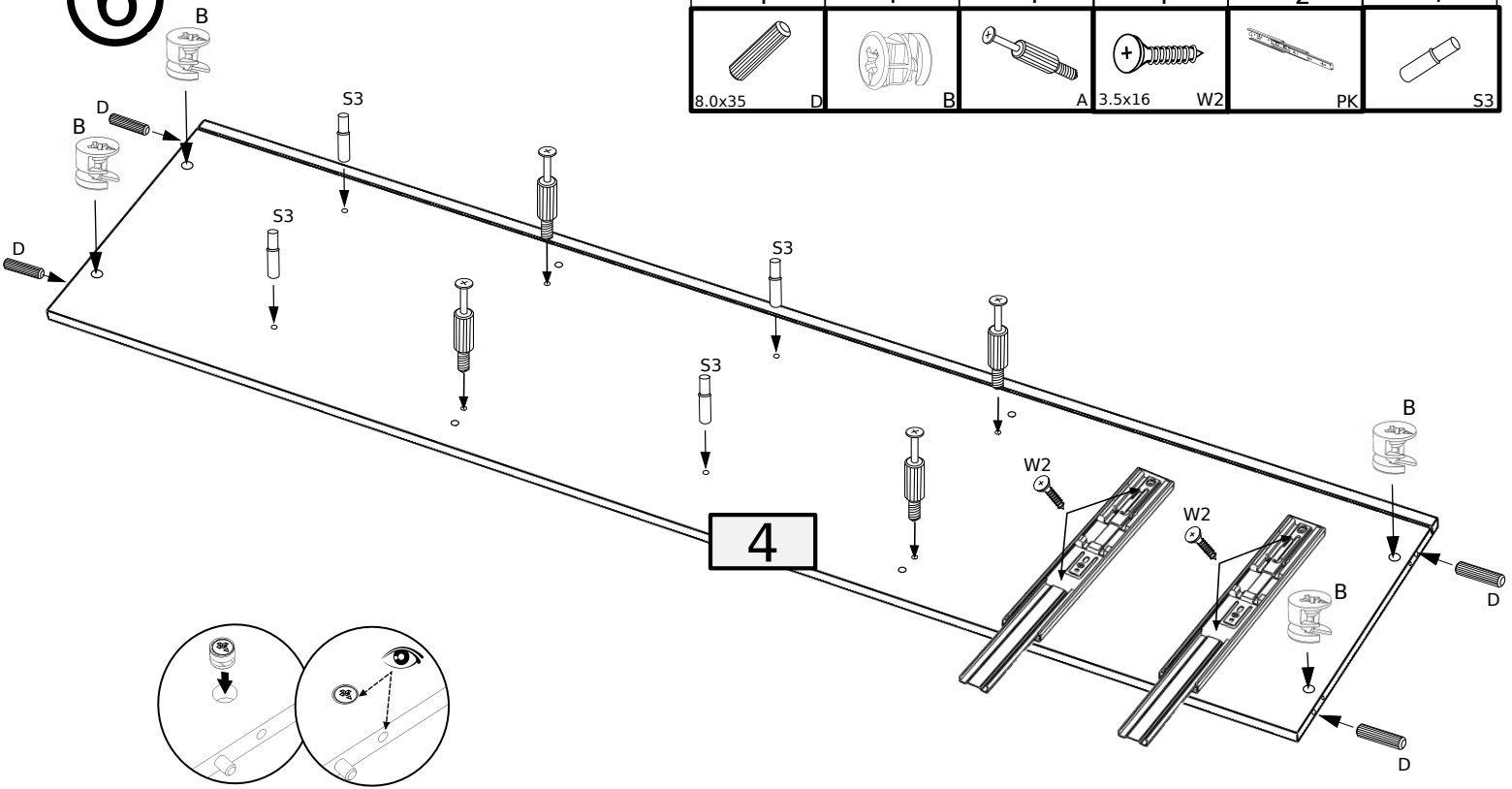


x4

PK

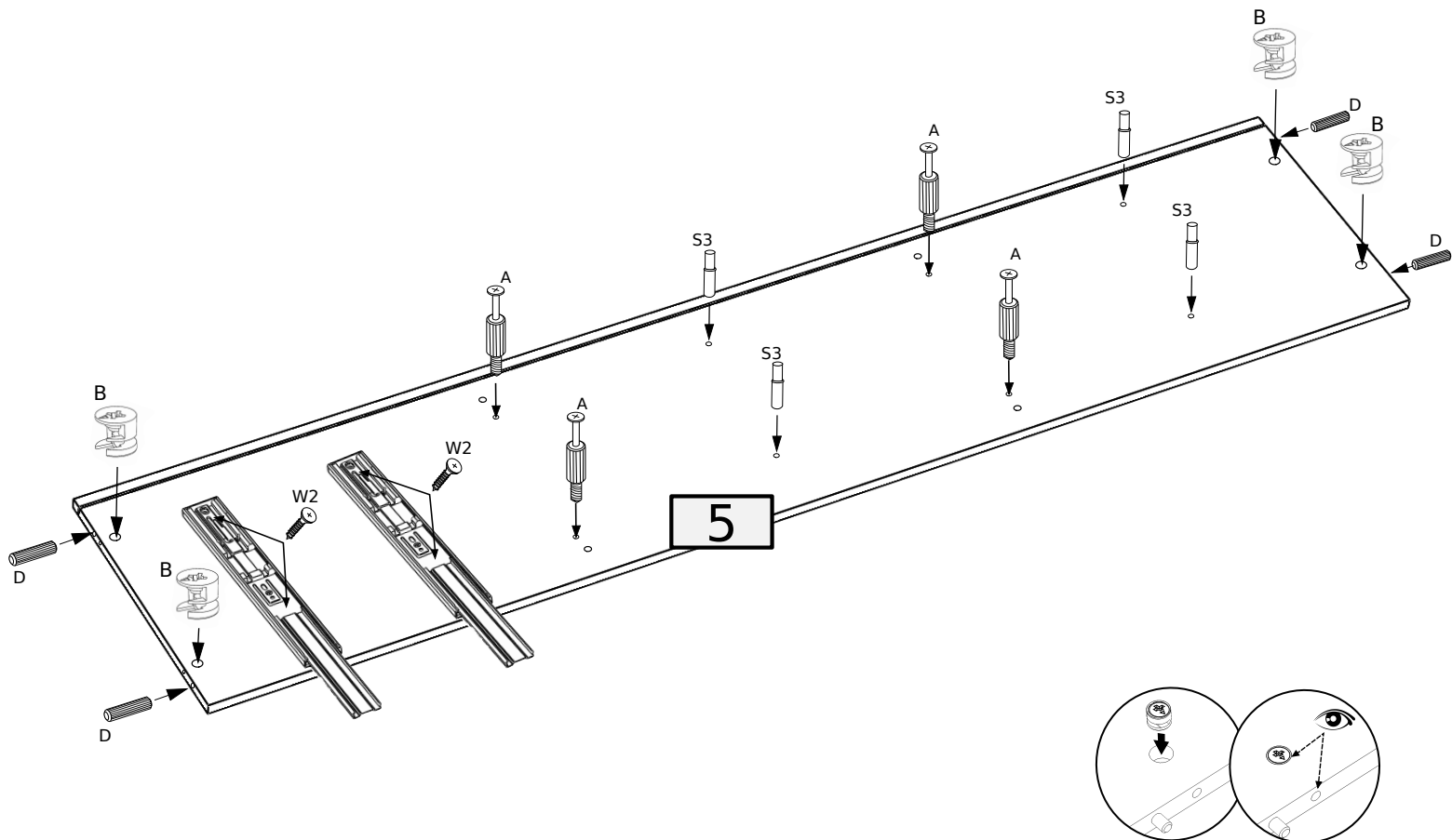
6

4	4	4	4	2	4
8.0x35	D	B	A	3.5x16	W2
					PK
					S3

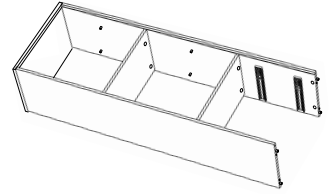
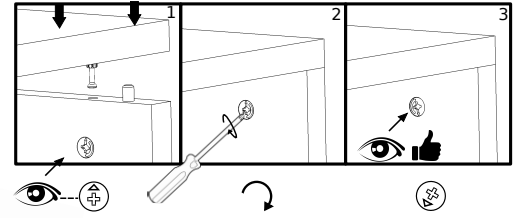
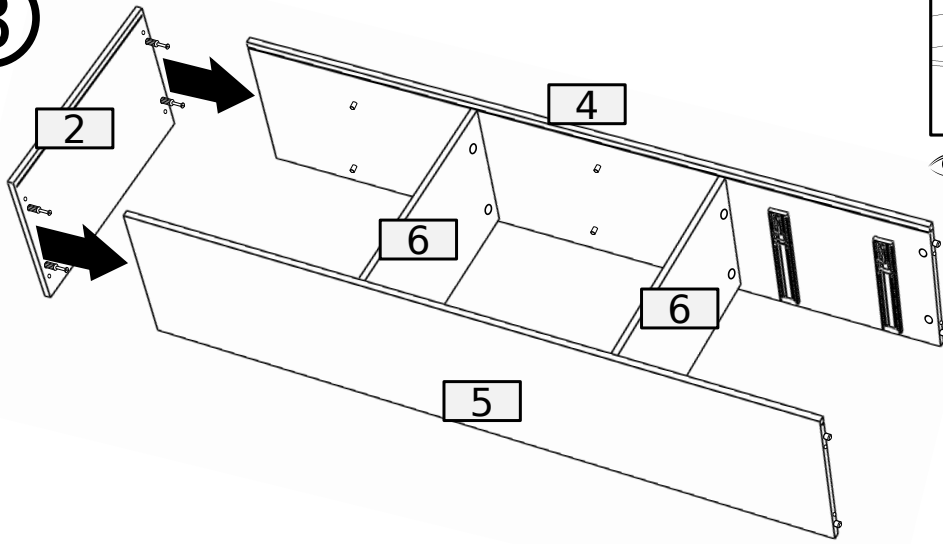


7

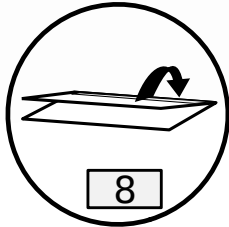
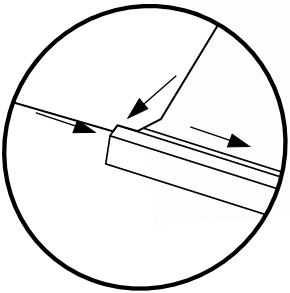
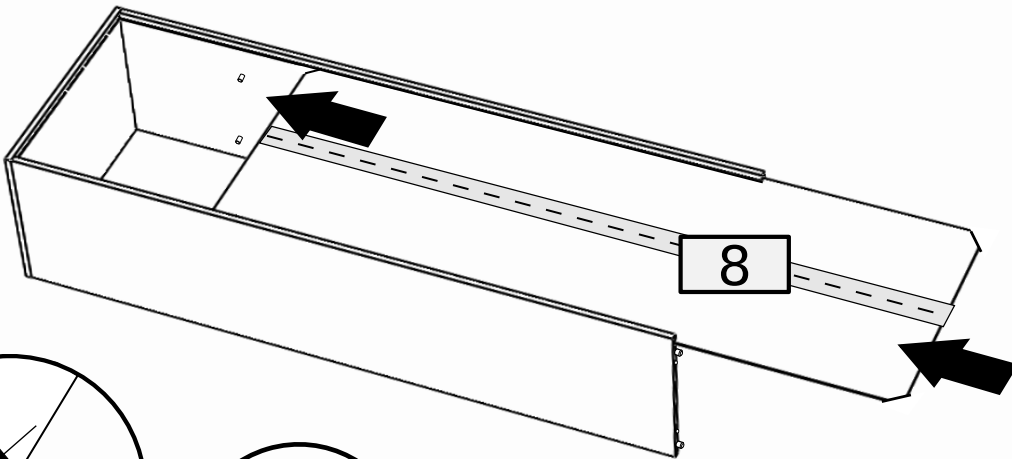
4	4	4	4	2	4
8.0x35	D	B	A	3.5x16	W2
					PK
					S3



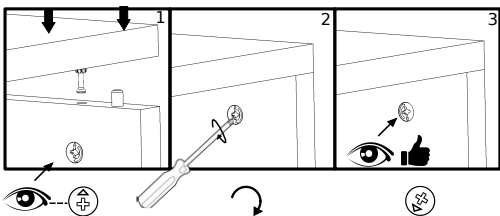
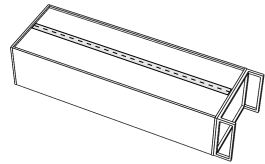
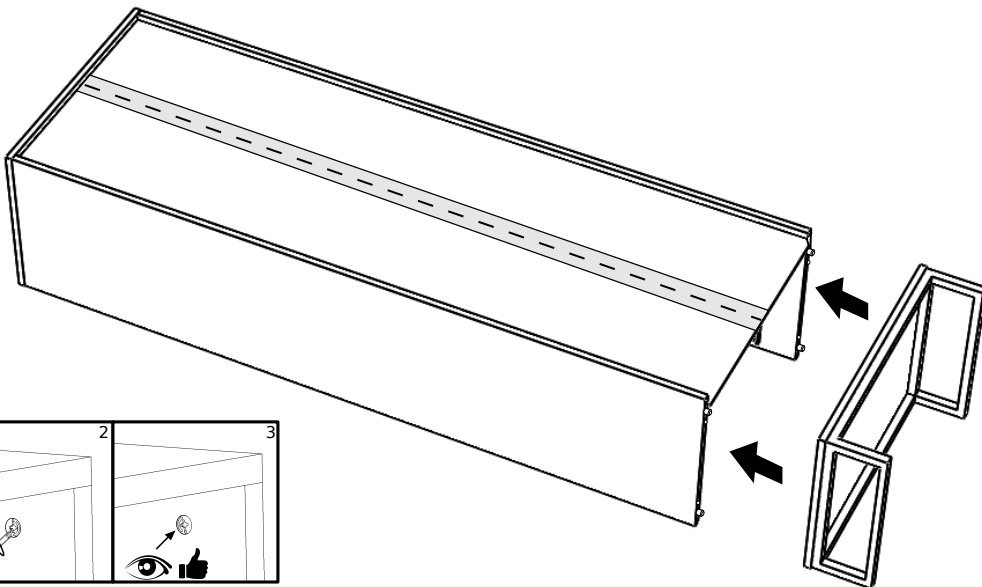
8



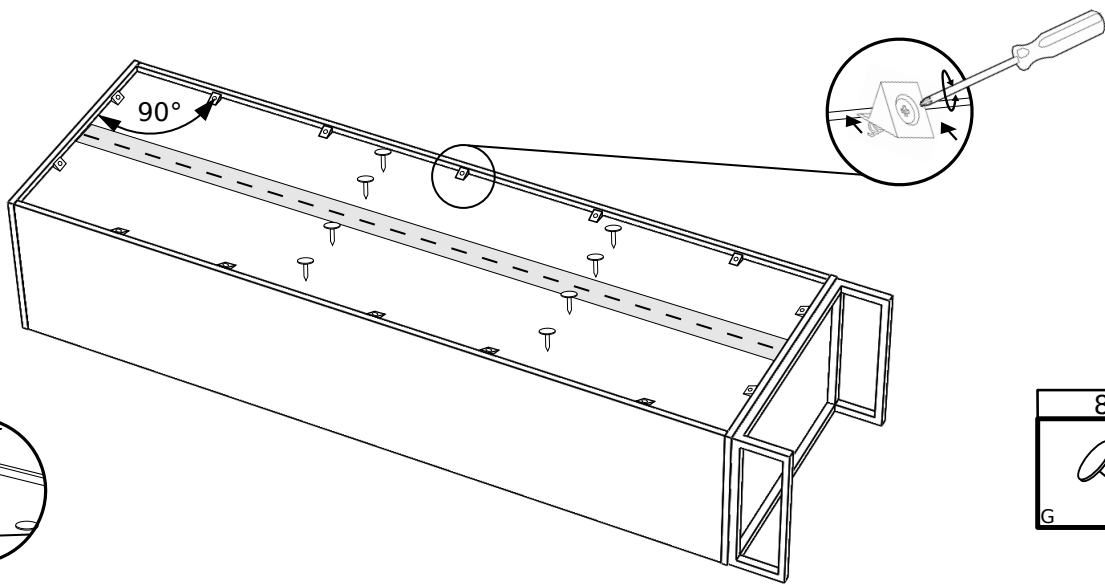
9



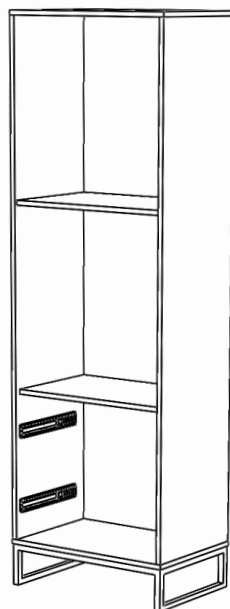
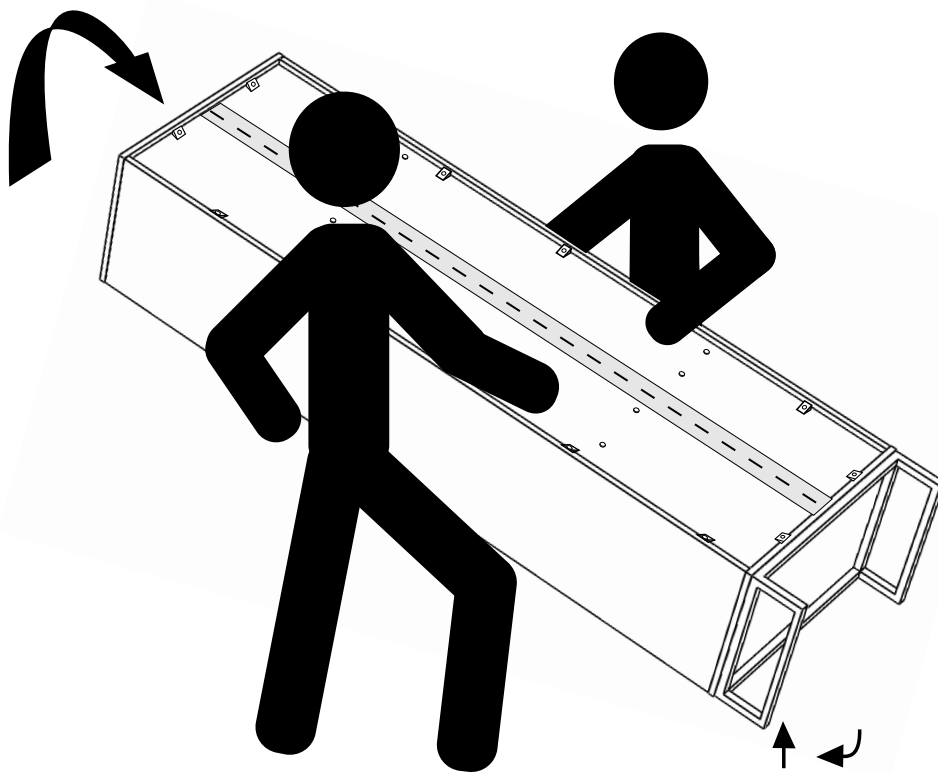
10



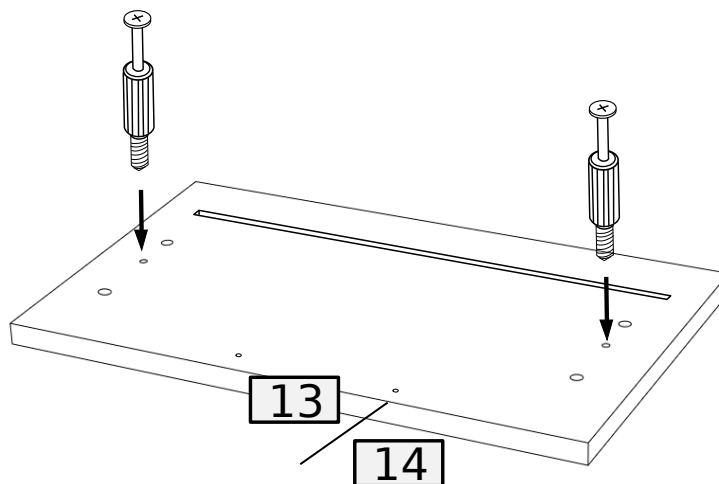
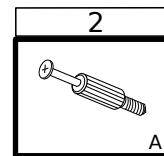
11



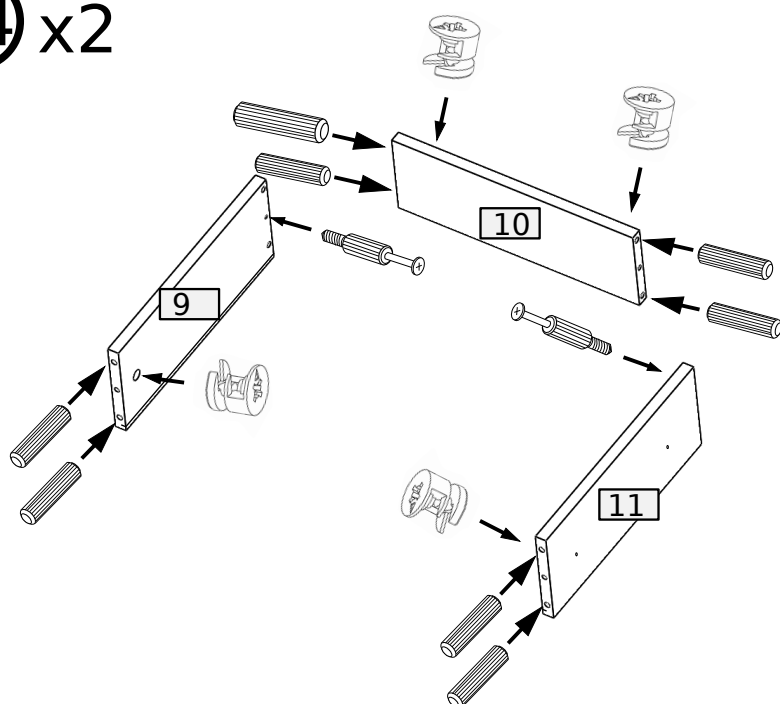
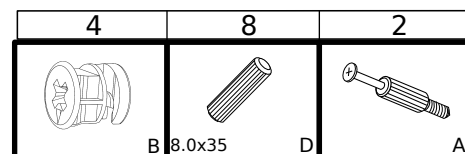
12



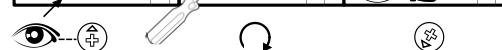
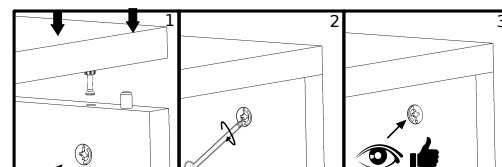
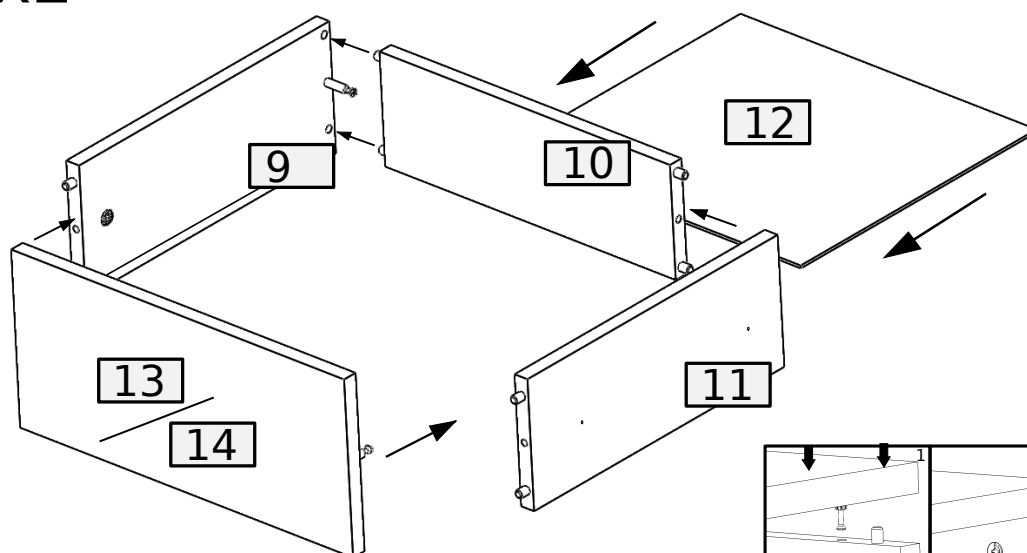
13 x2



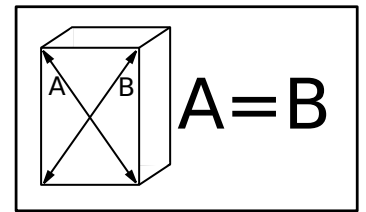
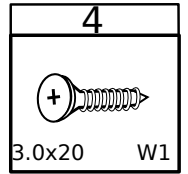
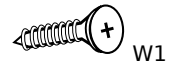
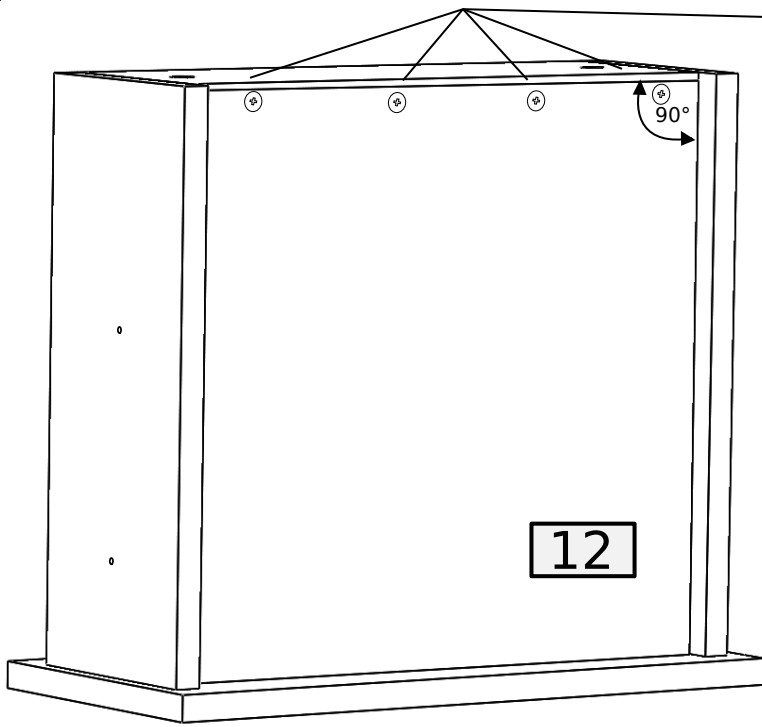
14 x2



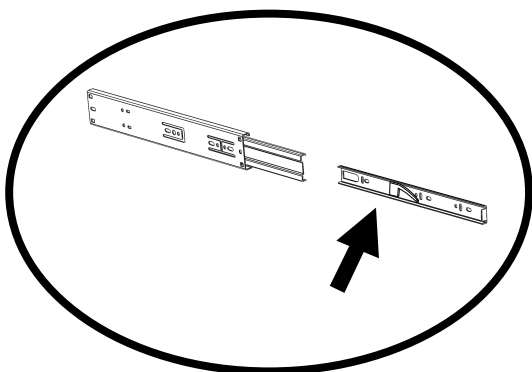
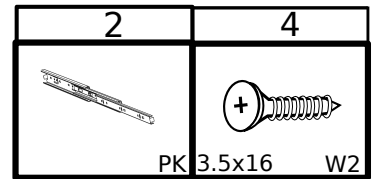
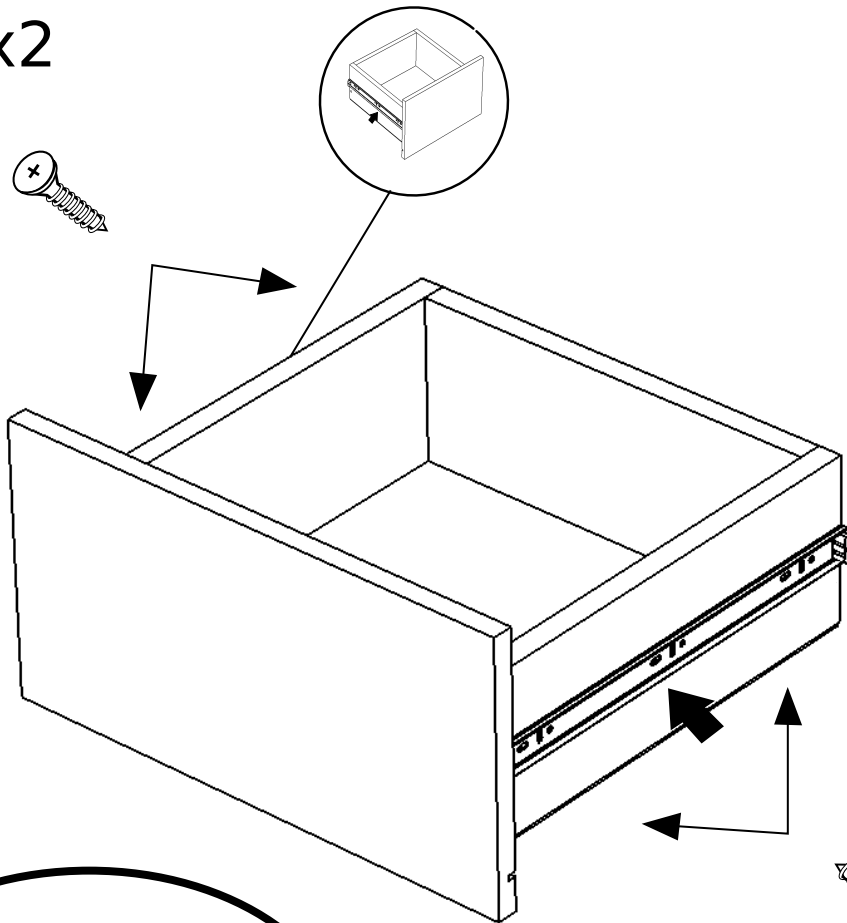
15 x2

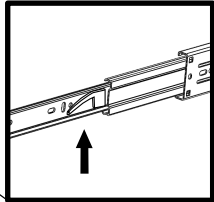
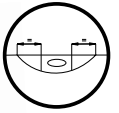
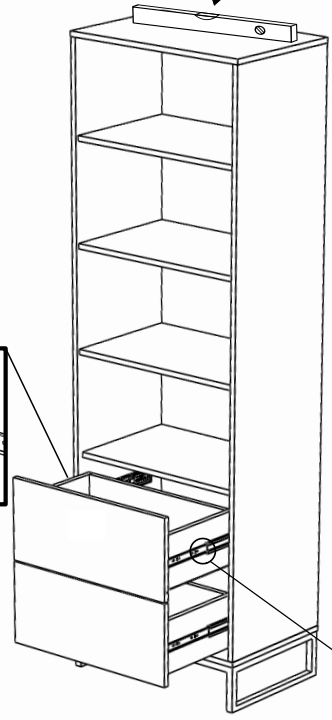
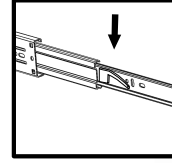
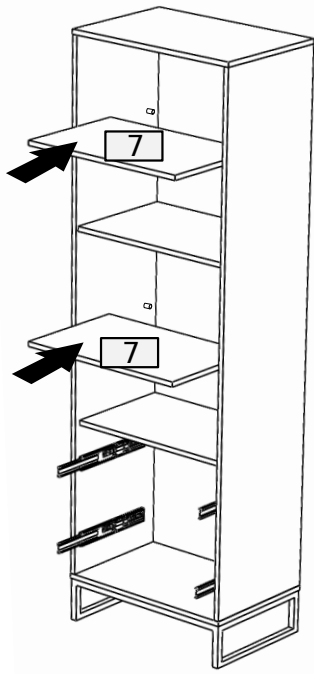




①⑥ x2



①⑦ x2





2	4
	
UL	3.0x16 W3

