
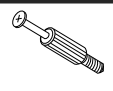
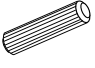










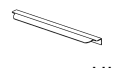

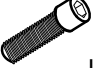

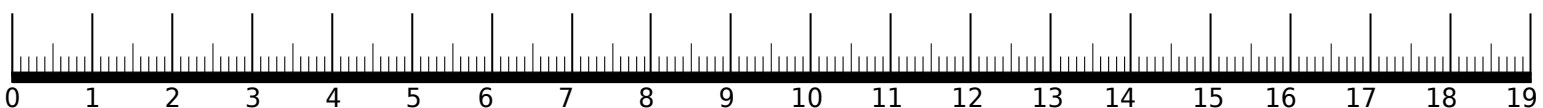
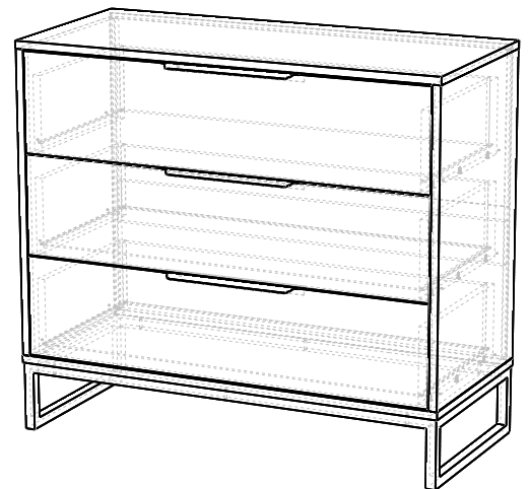
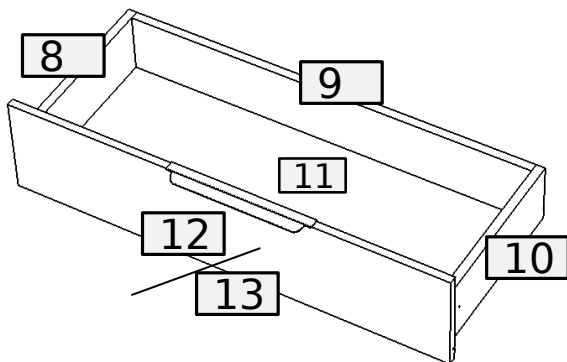
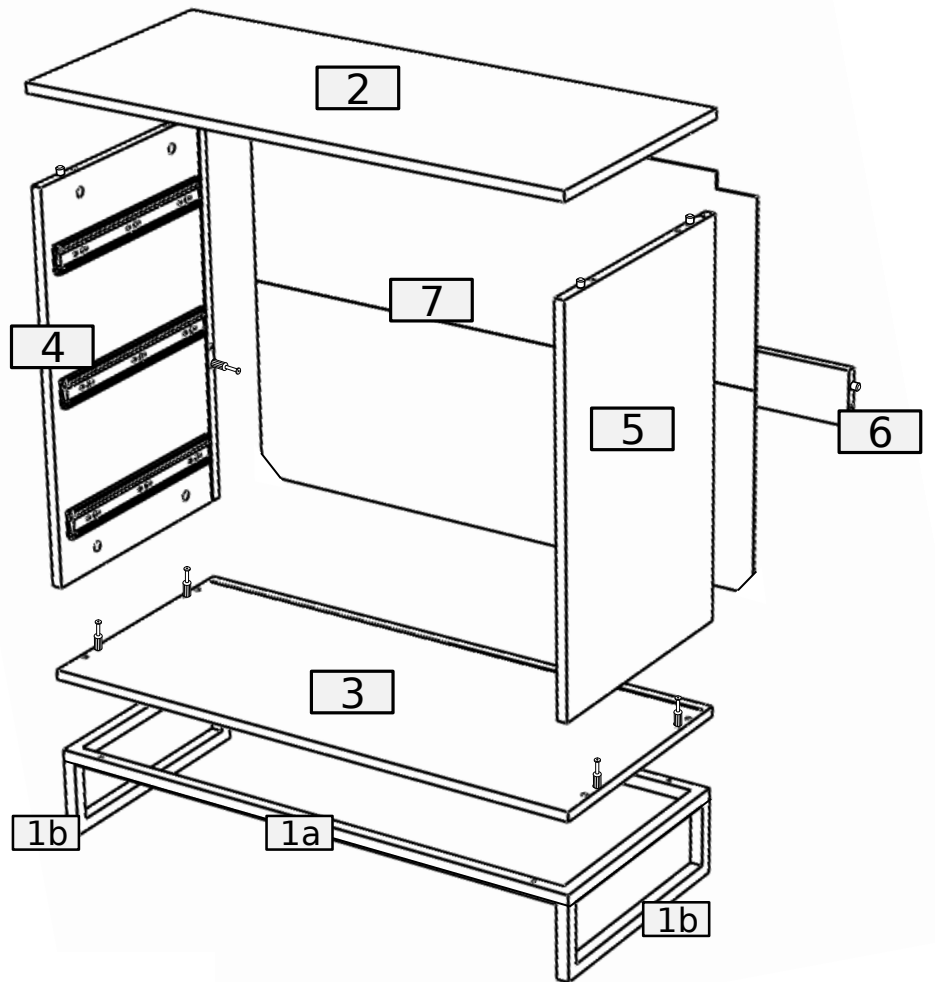


26	26	42	13	2	
					
B	A	8.0x35 D	I	KS	
					
X	L-350 PK	3.0x20 W1	U1	3.5x16 W4	G4
14	3	18	1	2	6

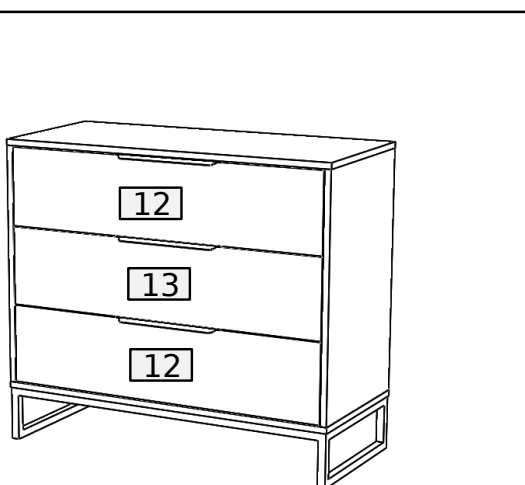
24	
	
3.5x16 W2	
	
3.0x16 W3	UL
6	3

6	
	
4.0x35 W11	
	
US	U2
12	1

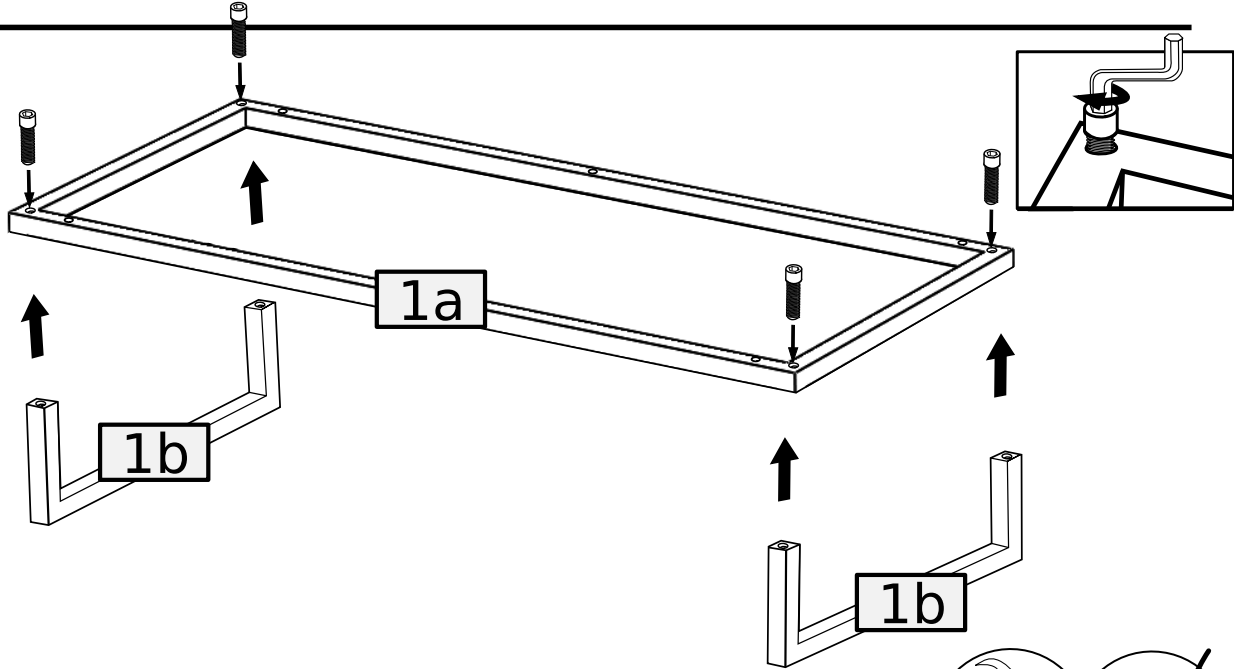




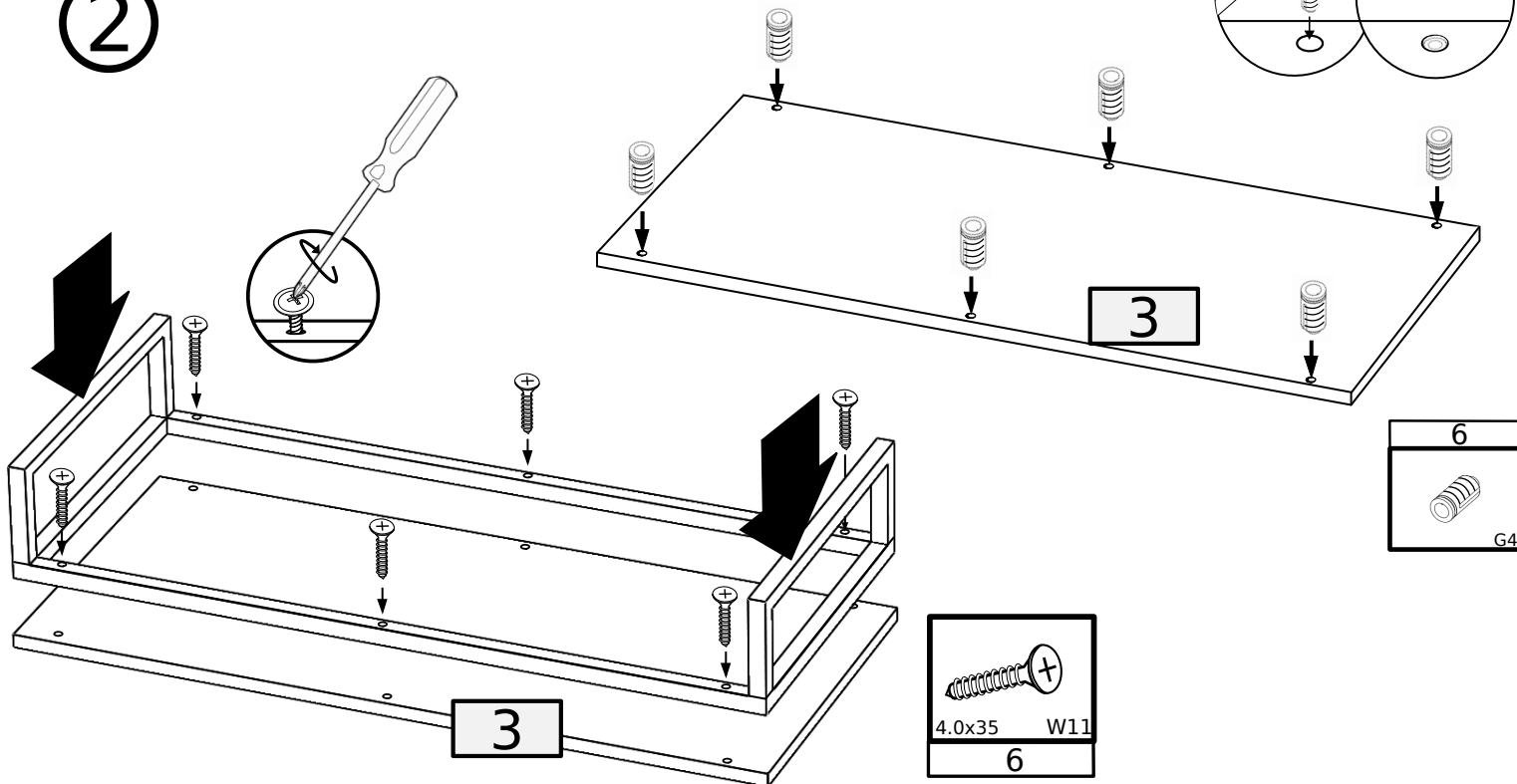
No.	Pcs.	L	W	D	Pac
1a	1	895	395	20	1/2
1b	2	395	120	20	1/2
2	1	900	400	16	2/2
3	1	900	400	16	2/2
4	1	628	399	16	1/2
5	1	628	399	16	1/2
6	1	866	90	16	1/2
7	1	880	642	3	2/2
8	3	350	160	16	2/2
9	3	809	142	16	1/2
10	3	350	160	16	1/2
11	3	824	357	3	1/2
12	2	862	203	16	1/2
13	1	862	203	16	2/2



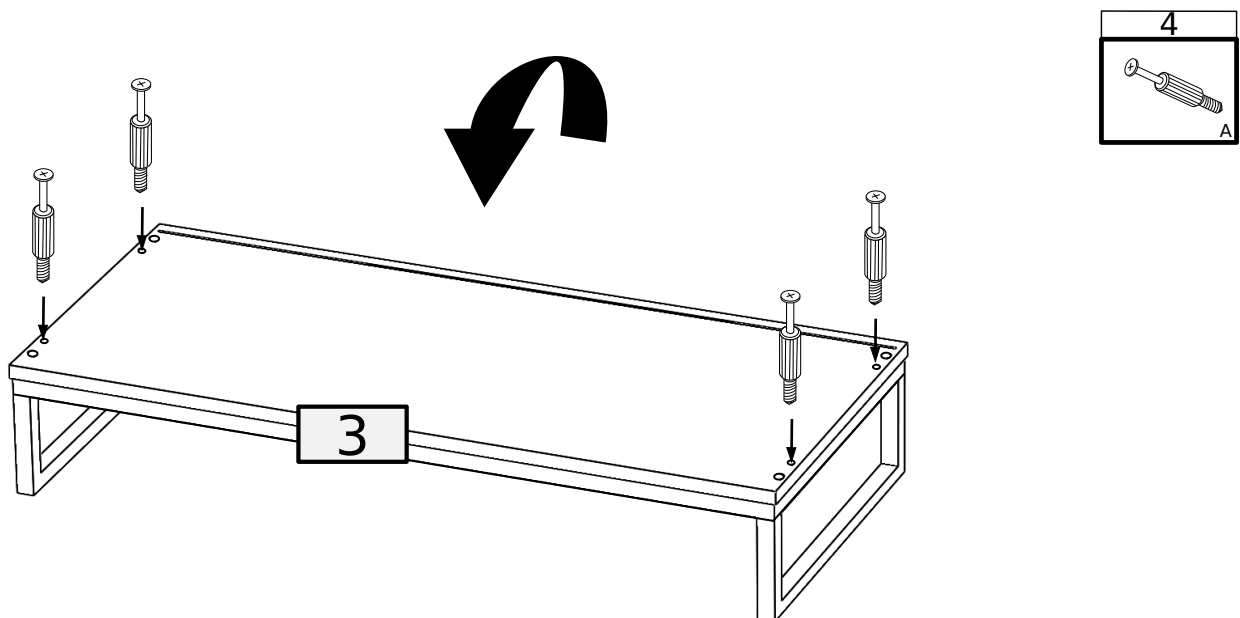
①



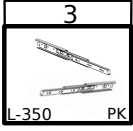
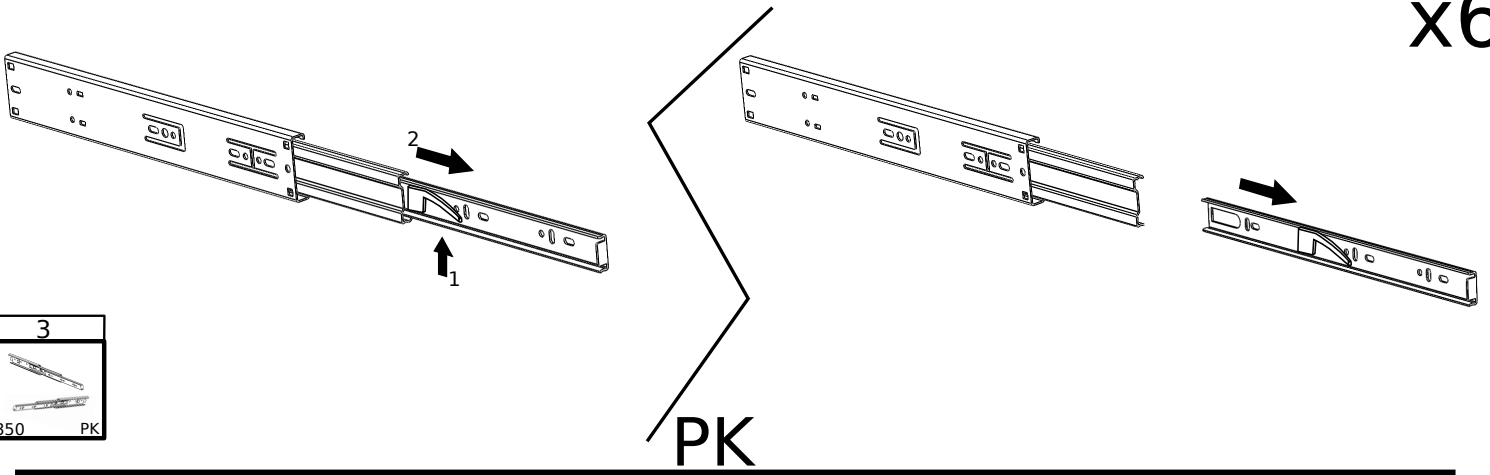
②



③



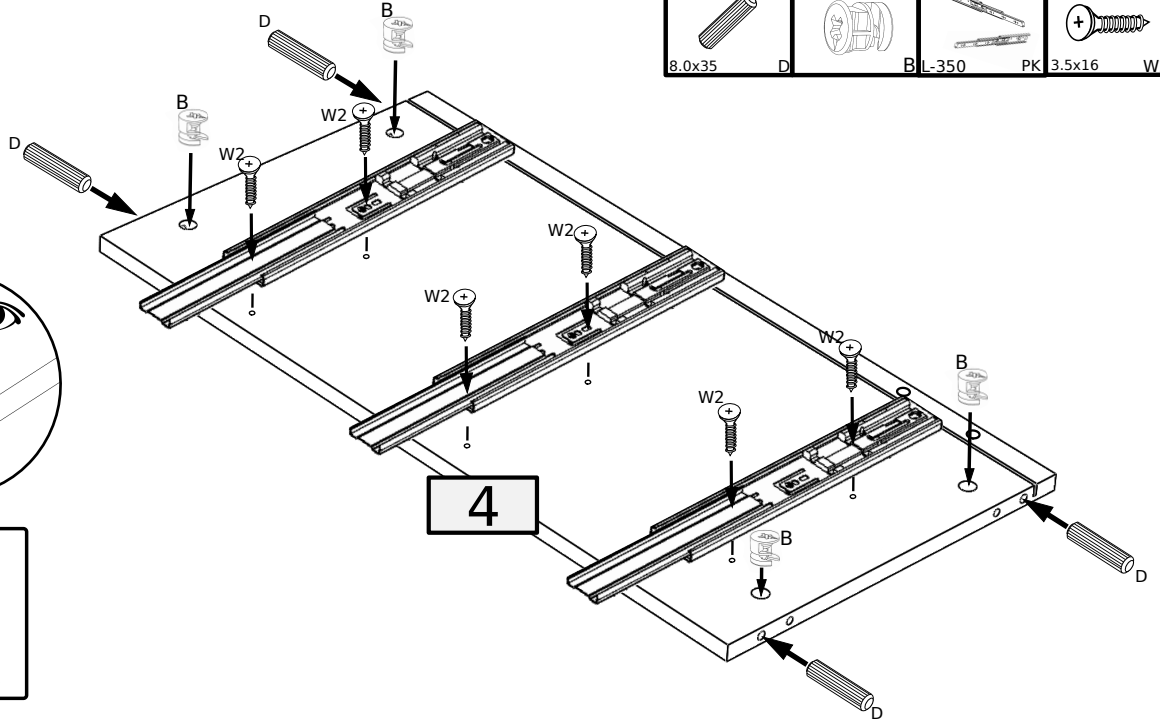
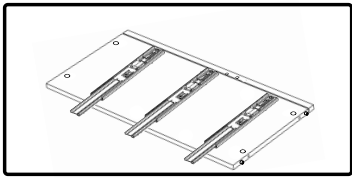
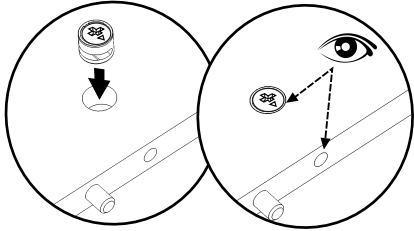
x6



PK

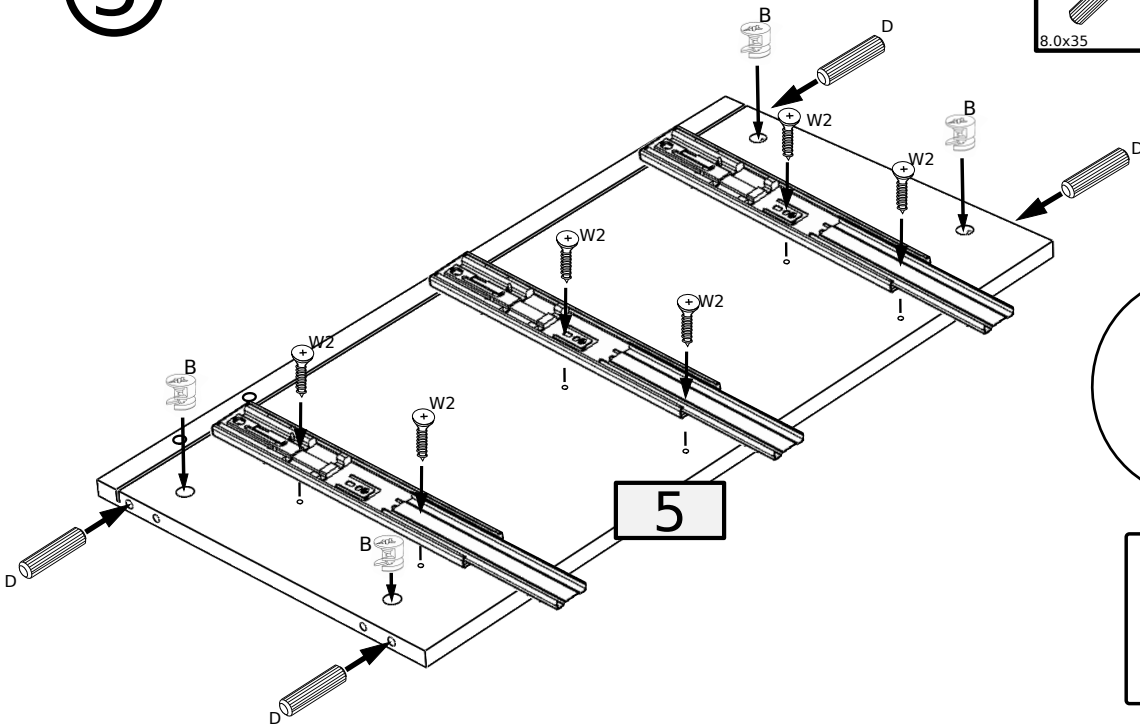
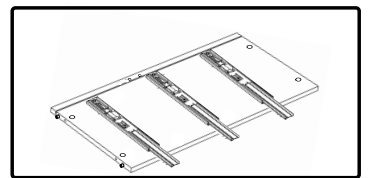
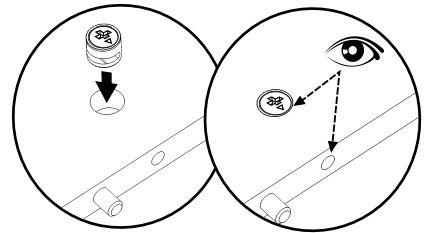
4

4	4	3	6
8.0x35 D	D	B L-350 PK	3.5x16 W2

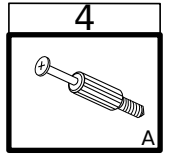
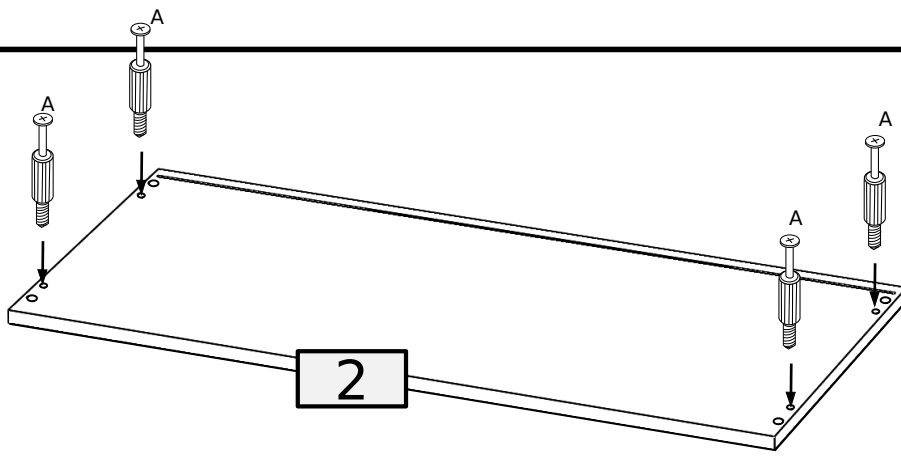


5

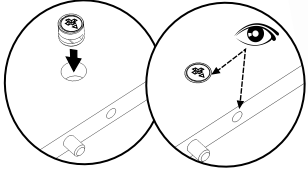
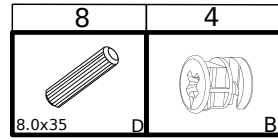
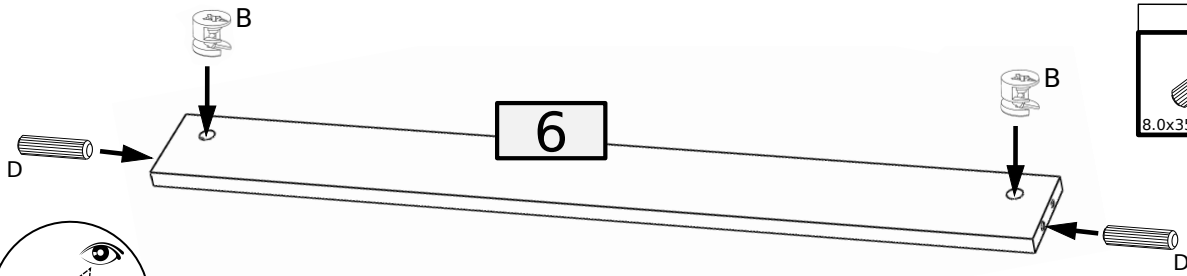
4	4	3	6
8.0x35 D	D	B L-350 PK	3.5x16 W2



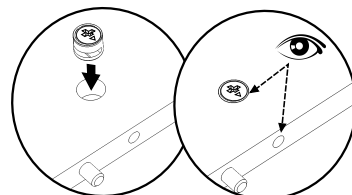
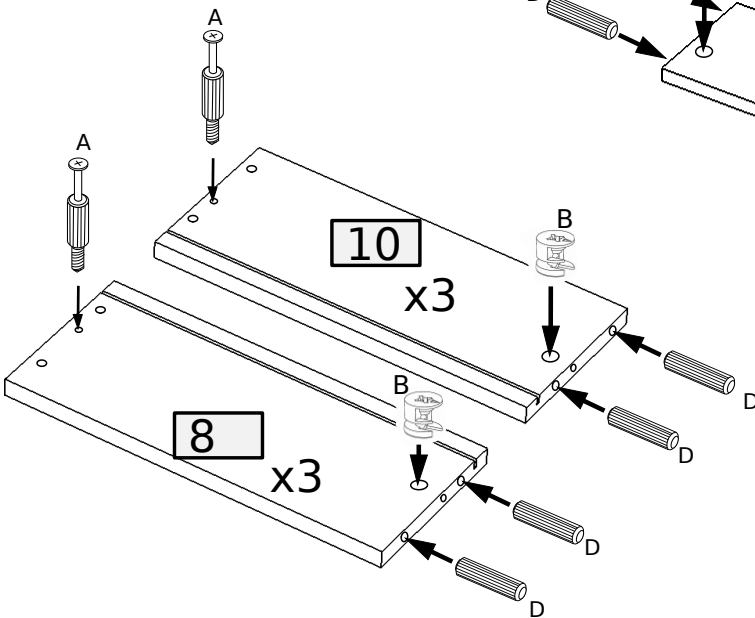
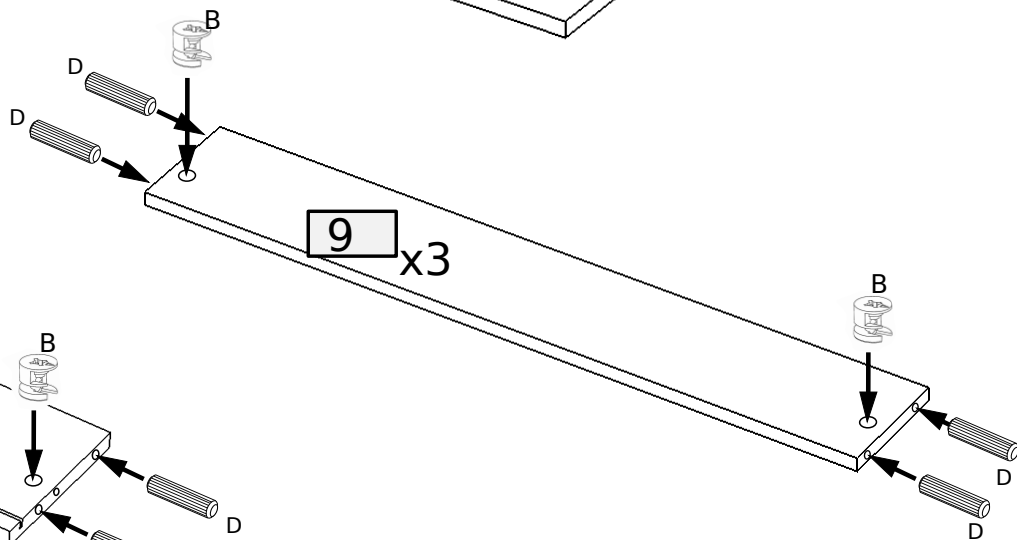
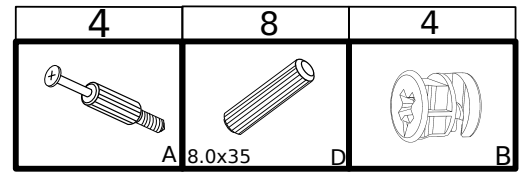
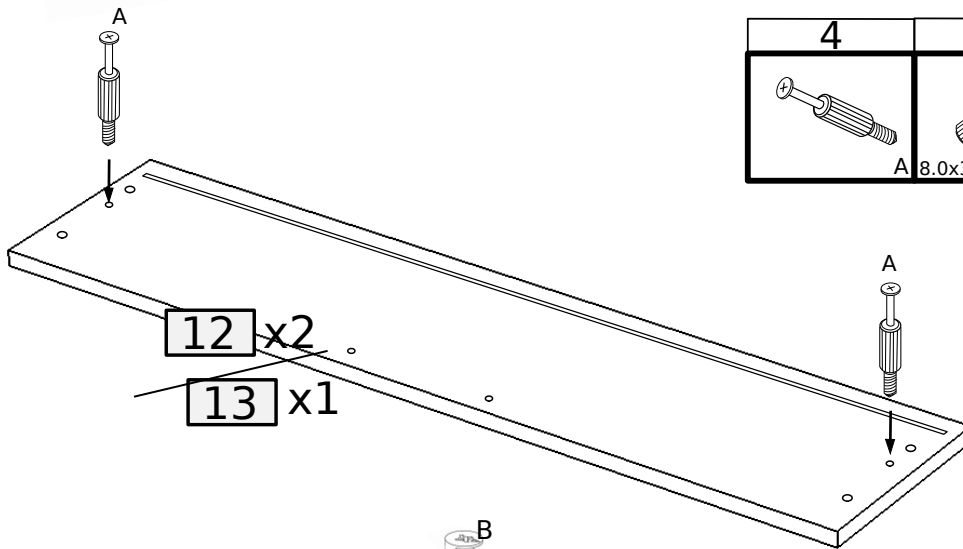
6



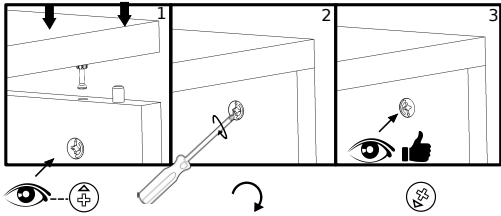
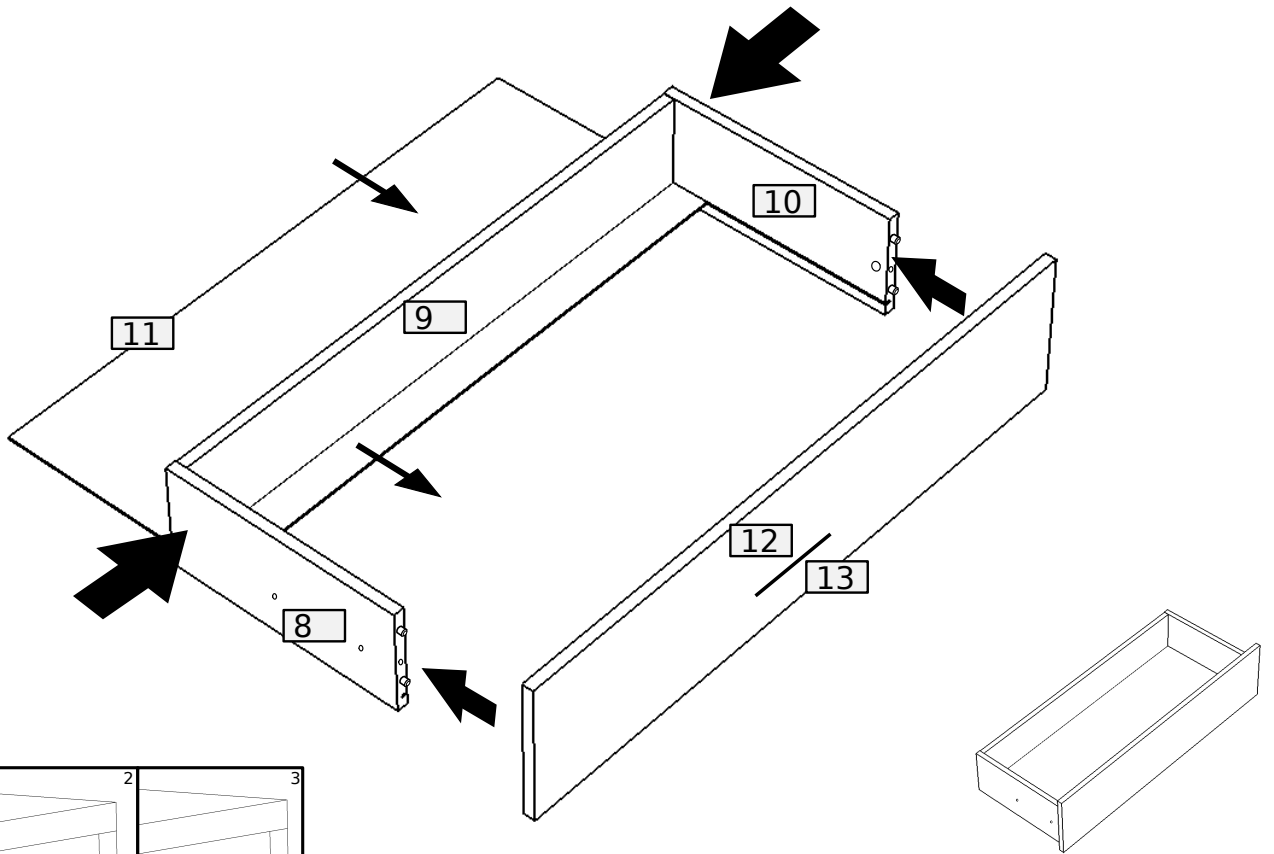
7



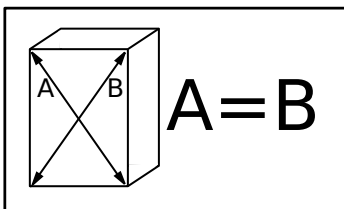
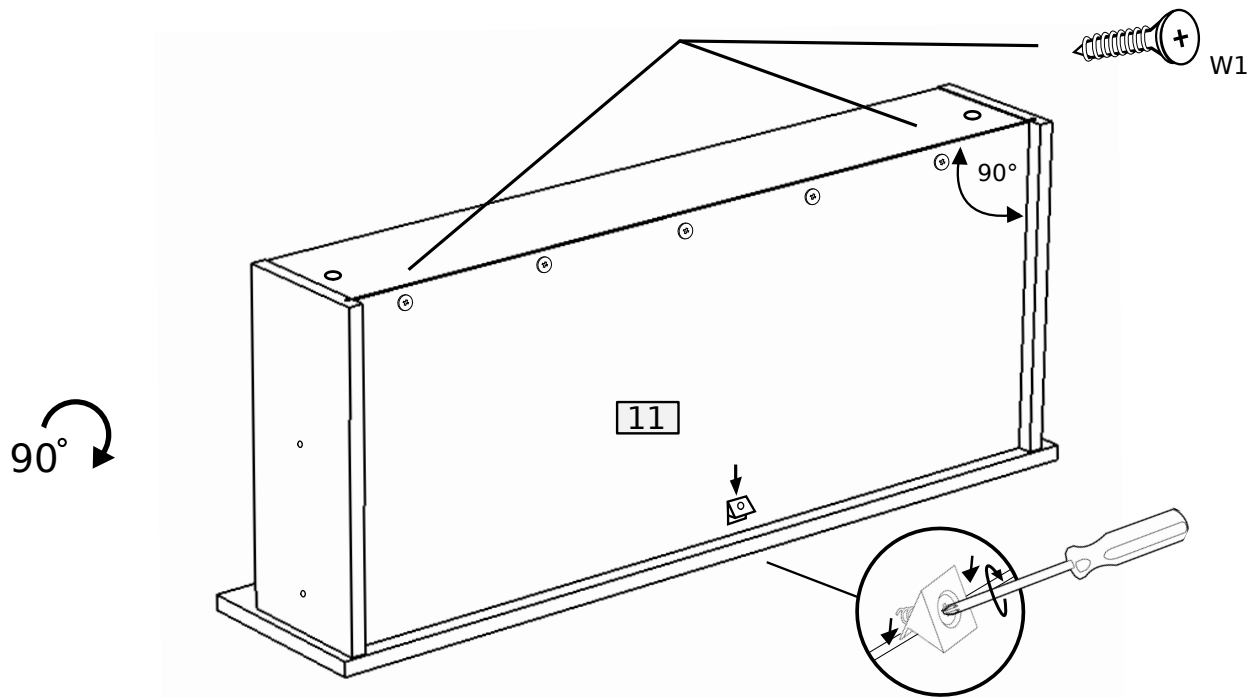
8



⑨ x3

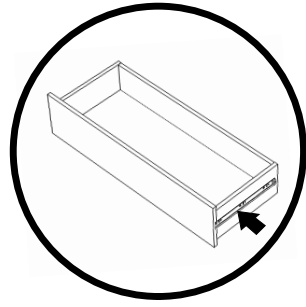
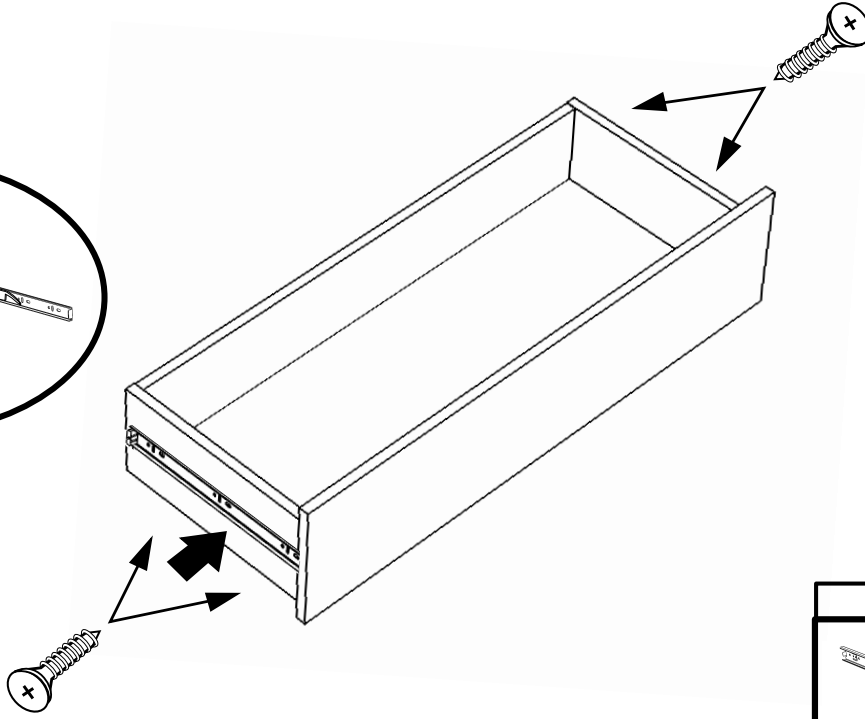
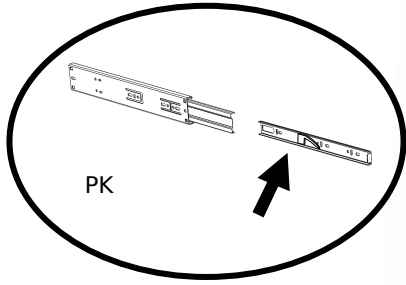


⑩ x3



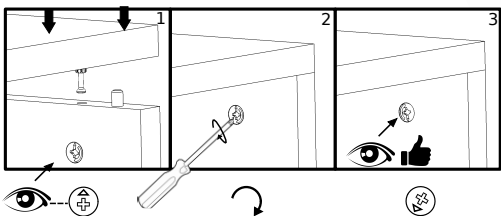
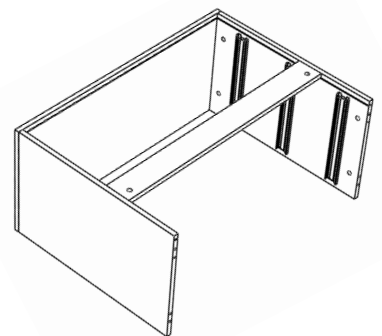
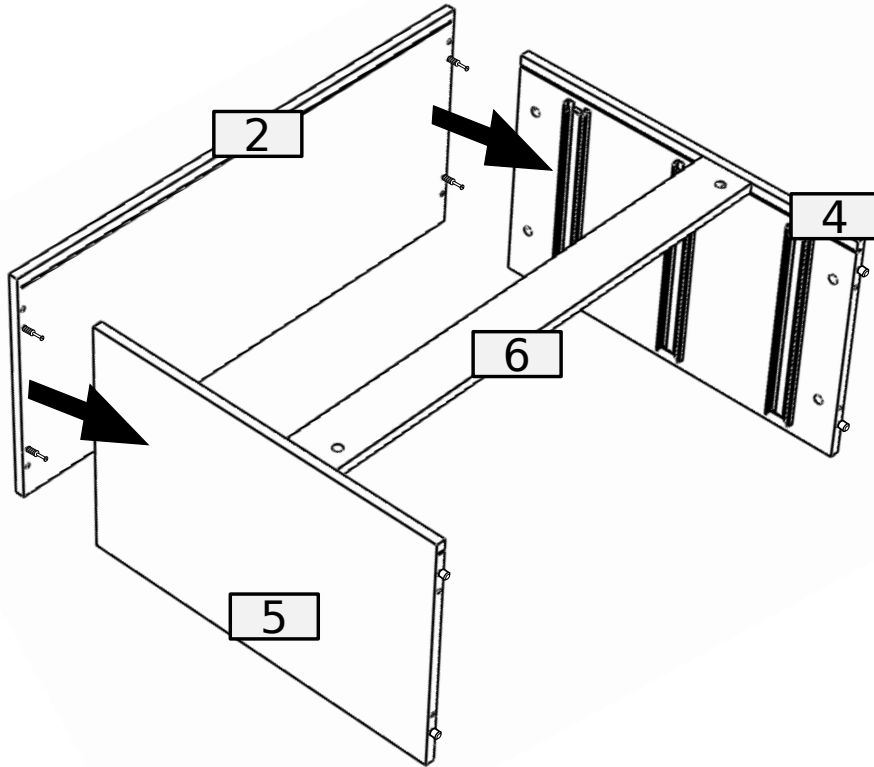
1	5
	3.0x20 W1

11 x3

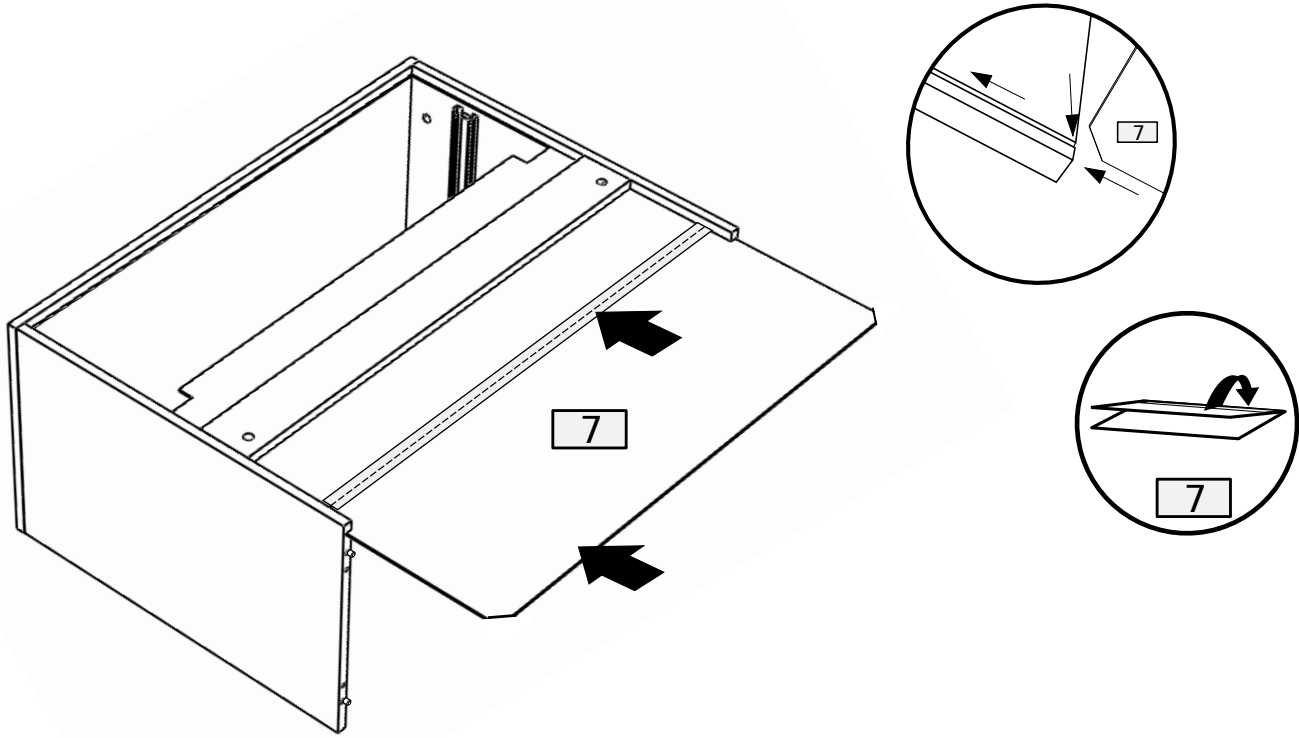


2	4
PK	3.5x16 W2

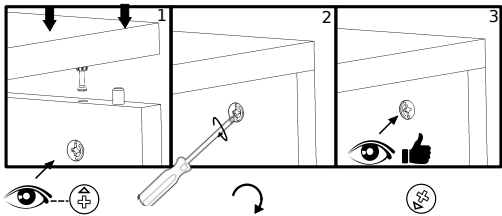
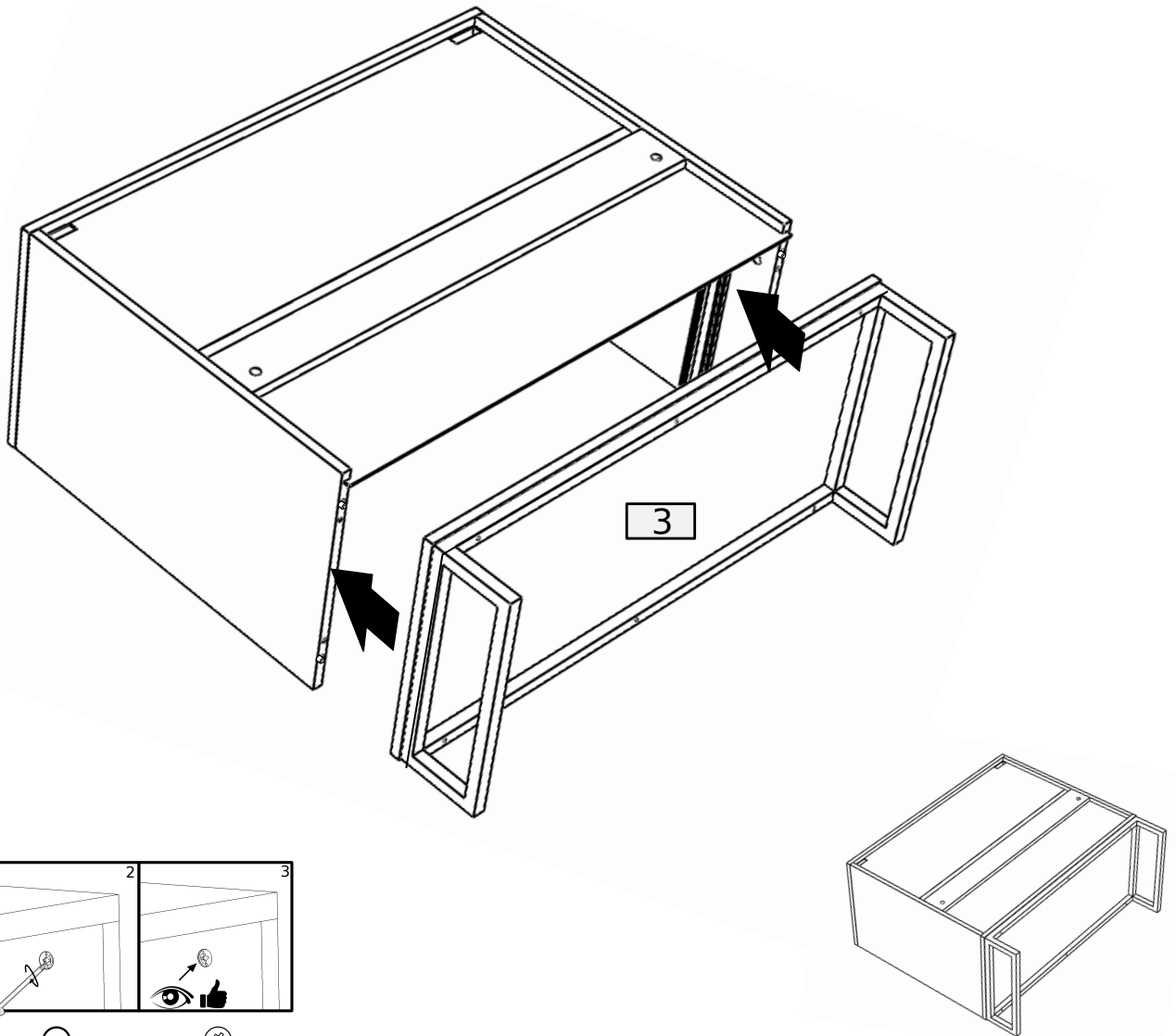
12



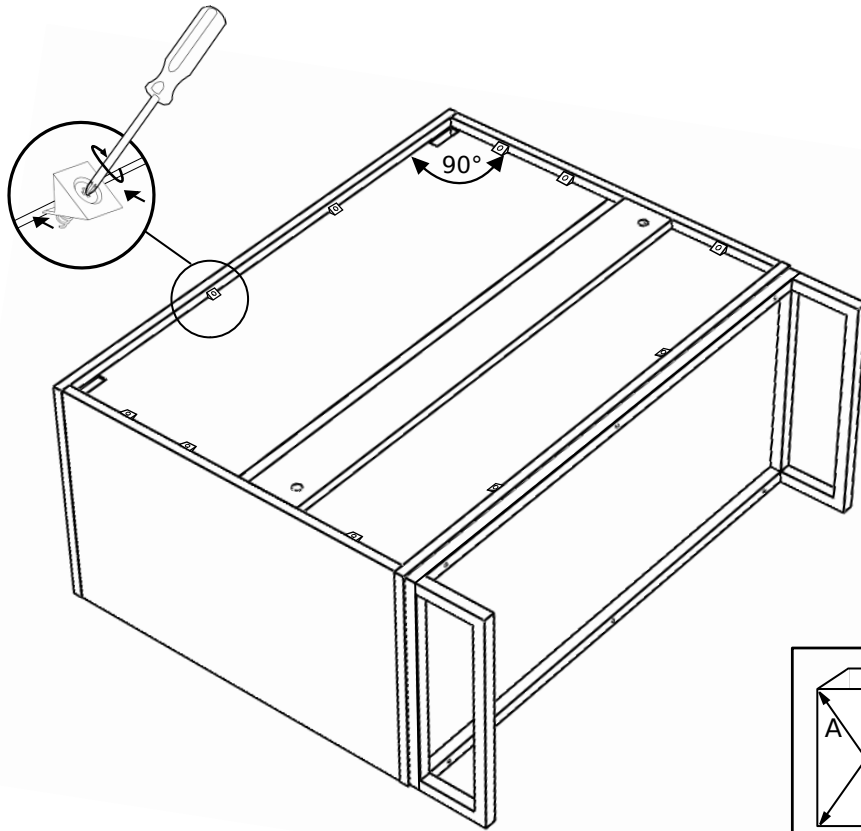
13



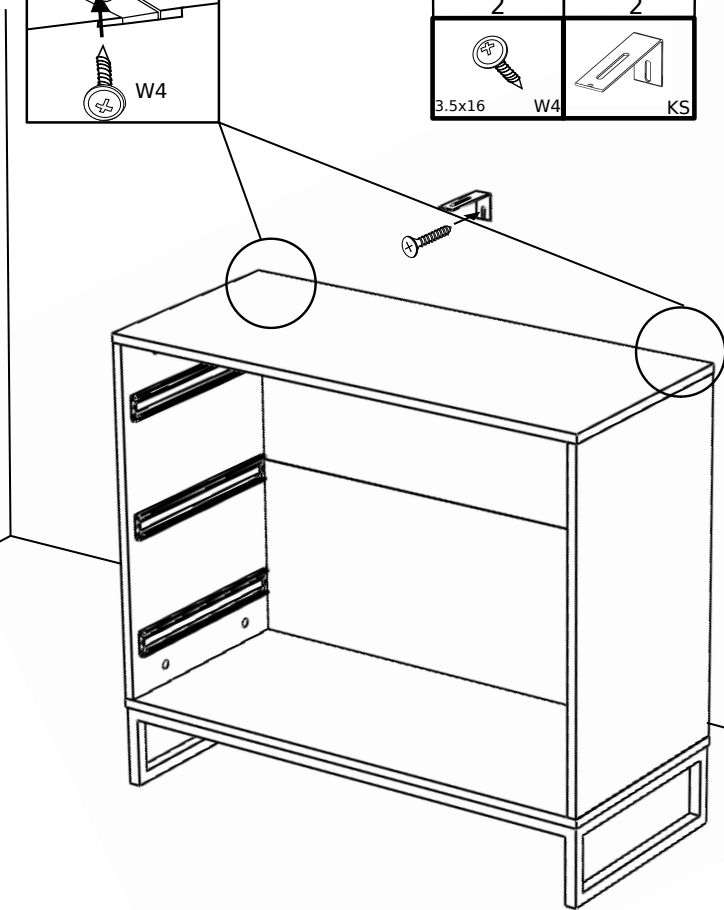
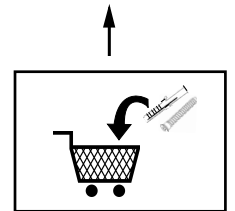
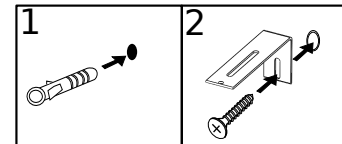
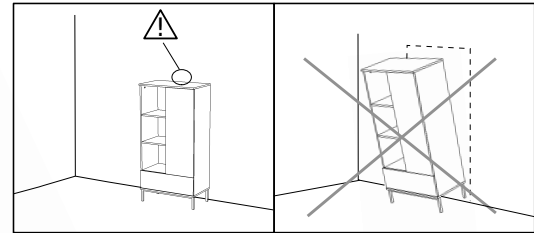
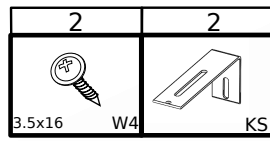
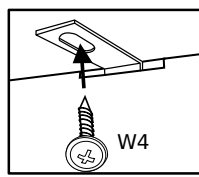
14



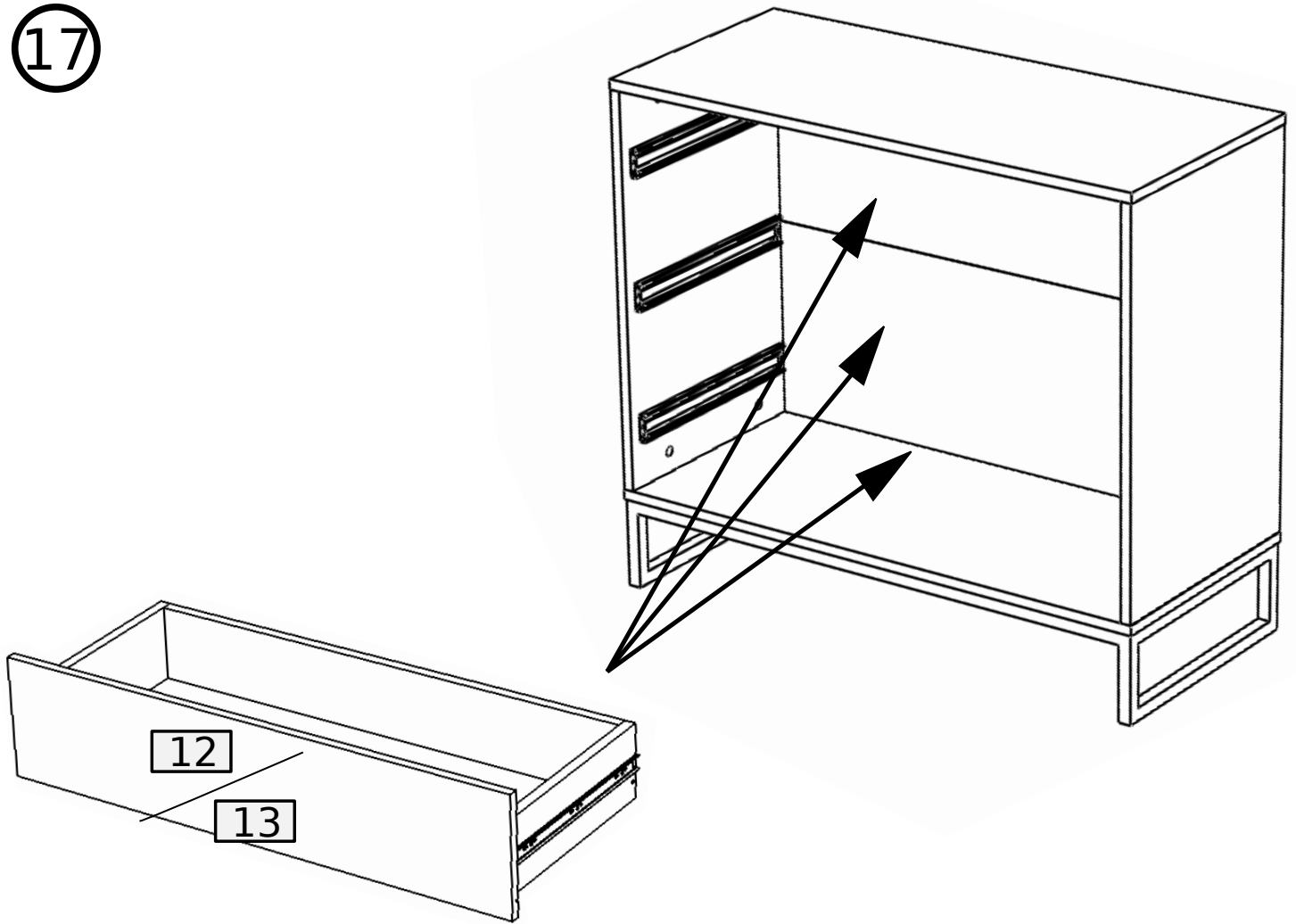
15



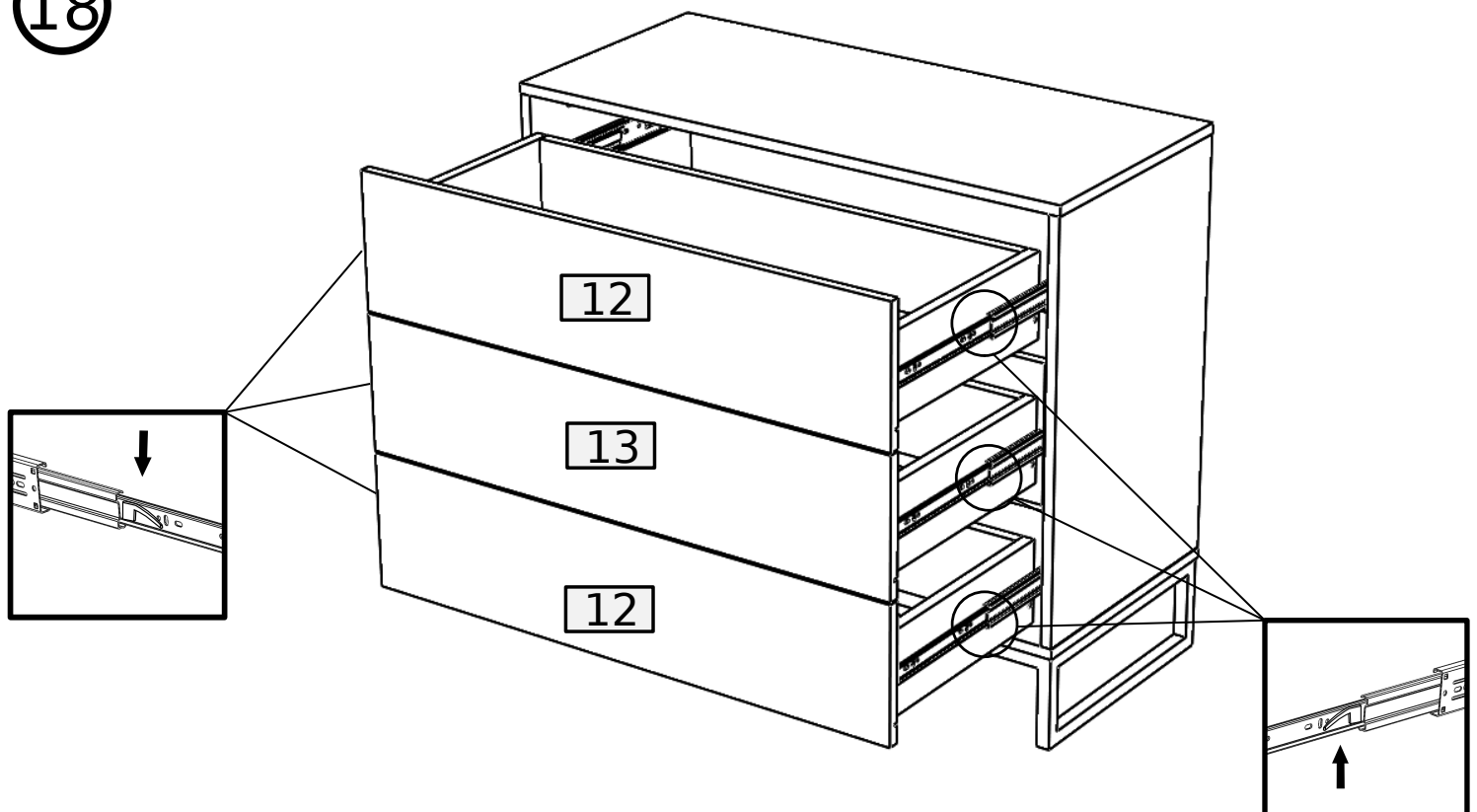
16



17



18



19

