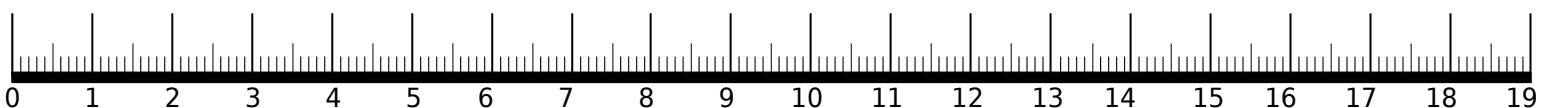
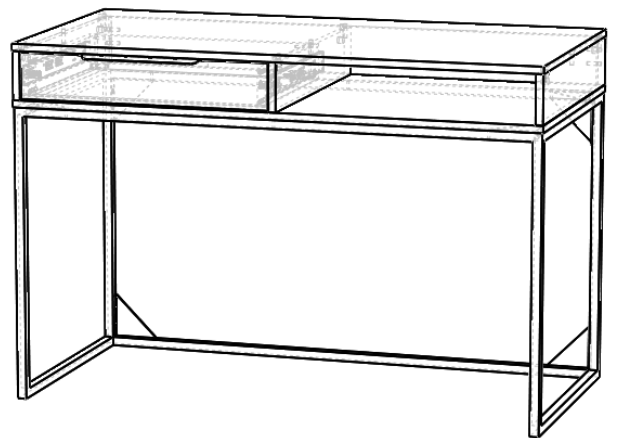
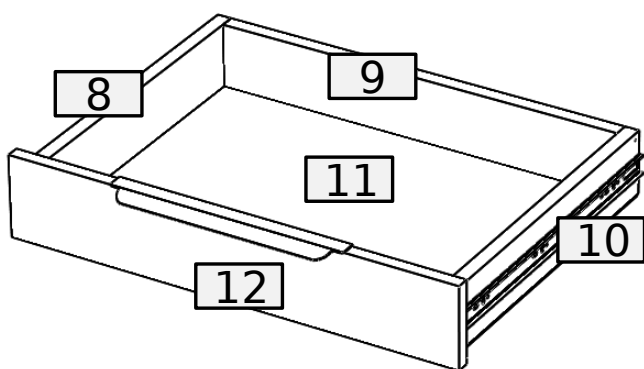
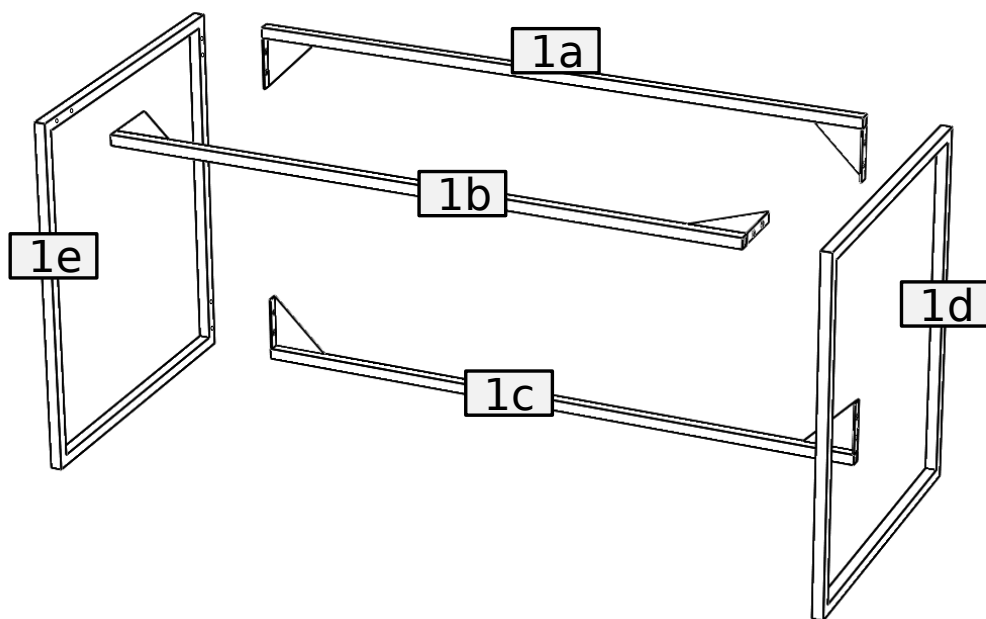
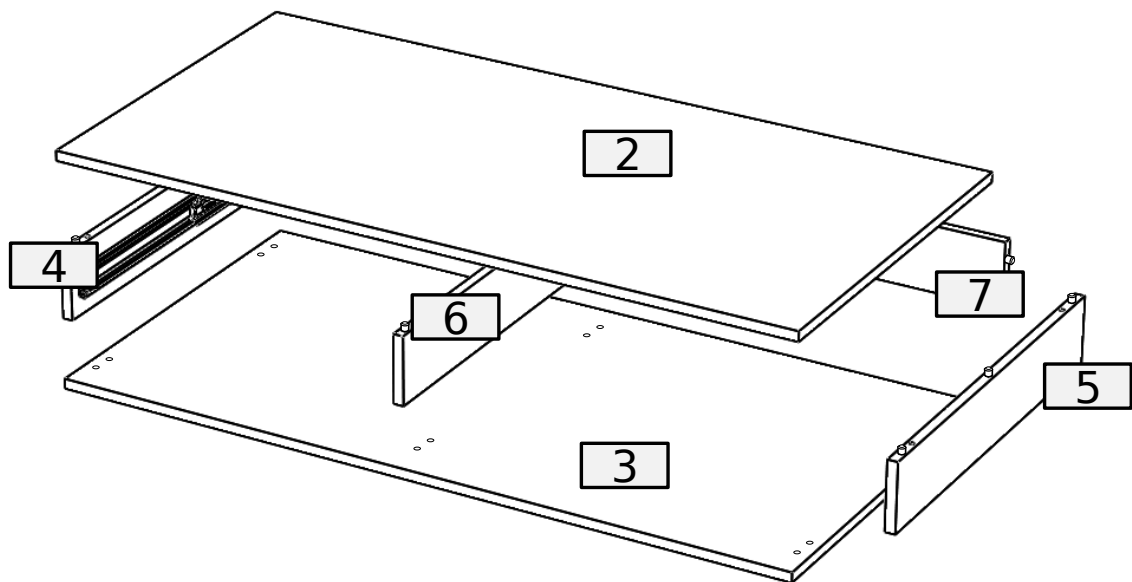


| | | | | |
|----|----|----------|---|----|
| 10 | 10 | 26 | 8 | 6 |
| | | | | |
| B | A | 8.0x35 D | O | G4 |
| 6 | 1 | 5 | 1 | |

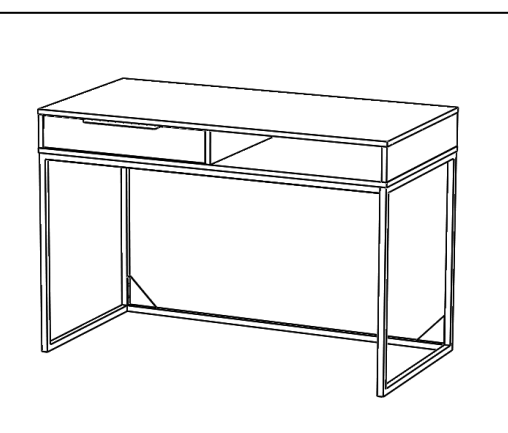
| | |
|-----------|--------|
| 8 | |
| | |
| 3.5x16 W2 | |
| | |
| 3.0x16 W3 | 256 UL |
| 2 | 1 |

| | |
|------------|----|
| 6 | |
| | |
| 4.0x35 W11 | |
| | |
| US | U2 |
| 12 | 1 |

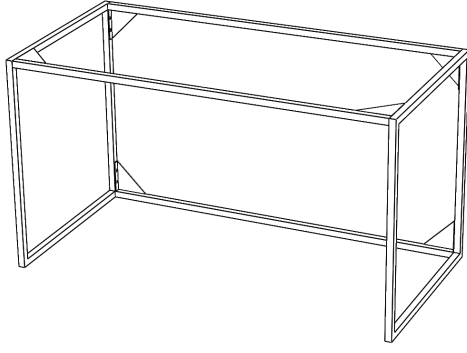






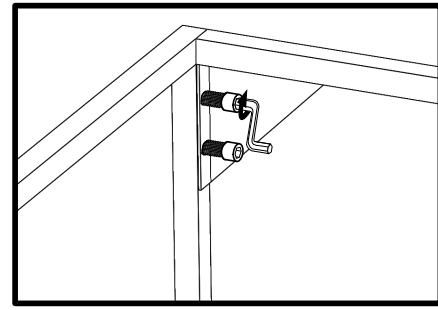
| No. | Pcs. | L | W | D | Pac |
|-----|------|------|-----|----|-----|
| 1a | 1 | 1155 | 20 | 20 | 1/2 |
| 1b | 1 | 1155 | 20 | 20 | 1/2 |
| 1c | 1 | 1155 | 20 | 20 | 1/2 |
| 1d | 1 | 660 | 595 | 16 | 1/2 |
| 1e | 1 | 660 | 595 | 16 | 1/2 |
| 2 | 1 | 1200 | 600 | 16 | 1/2 |
| 3 | 1 | 1200 | 600 | 16 | 1/2 |
| 4 | 1 | 598 | 110 | 16 | 2/2 |
| 5 | 1 | 598 | 110 | 16 | 2/2 |
| 6 | 1 | 581 | 110 | 16 | 2/2 |
| 7 | 1 | 1166 | 110 | 16 | 1/2 |
| 8 | 1 | 500 | 100 | 16 | 2/2 |
| 9 | 1 | 516 | 82 | 16 | 2/2 |
| 10 | 1 | 500 | 100 | 16 | 2/2 |
| 11 | 1 | 507 | 531 | 3 | 2/2 |
| 12 | 1 | 571 | 104 | 16 | 2/2 |



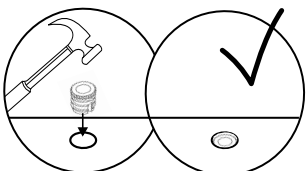
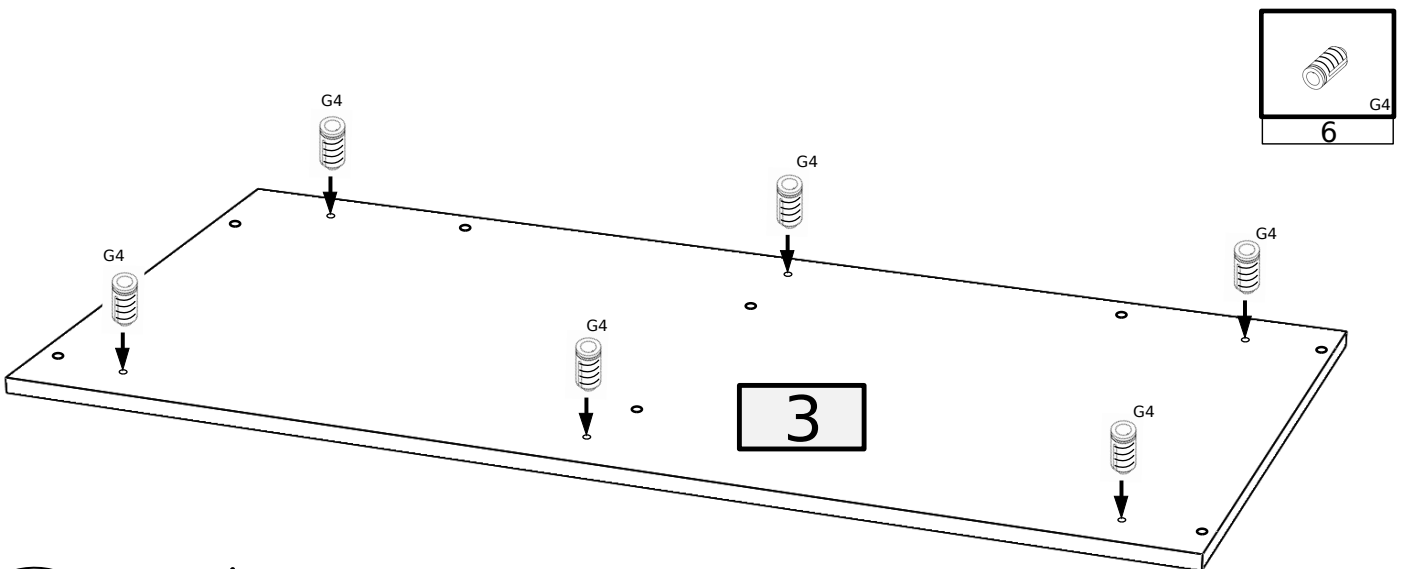
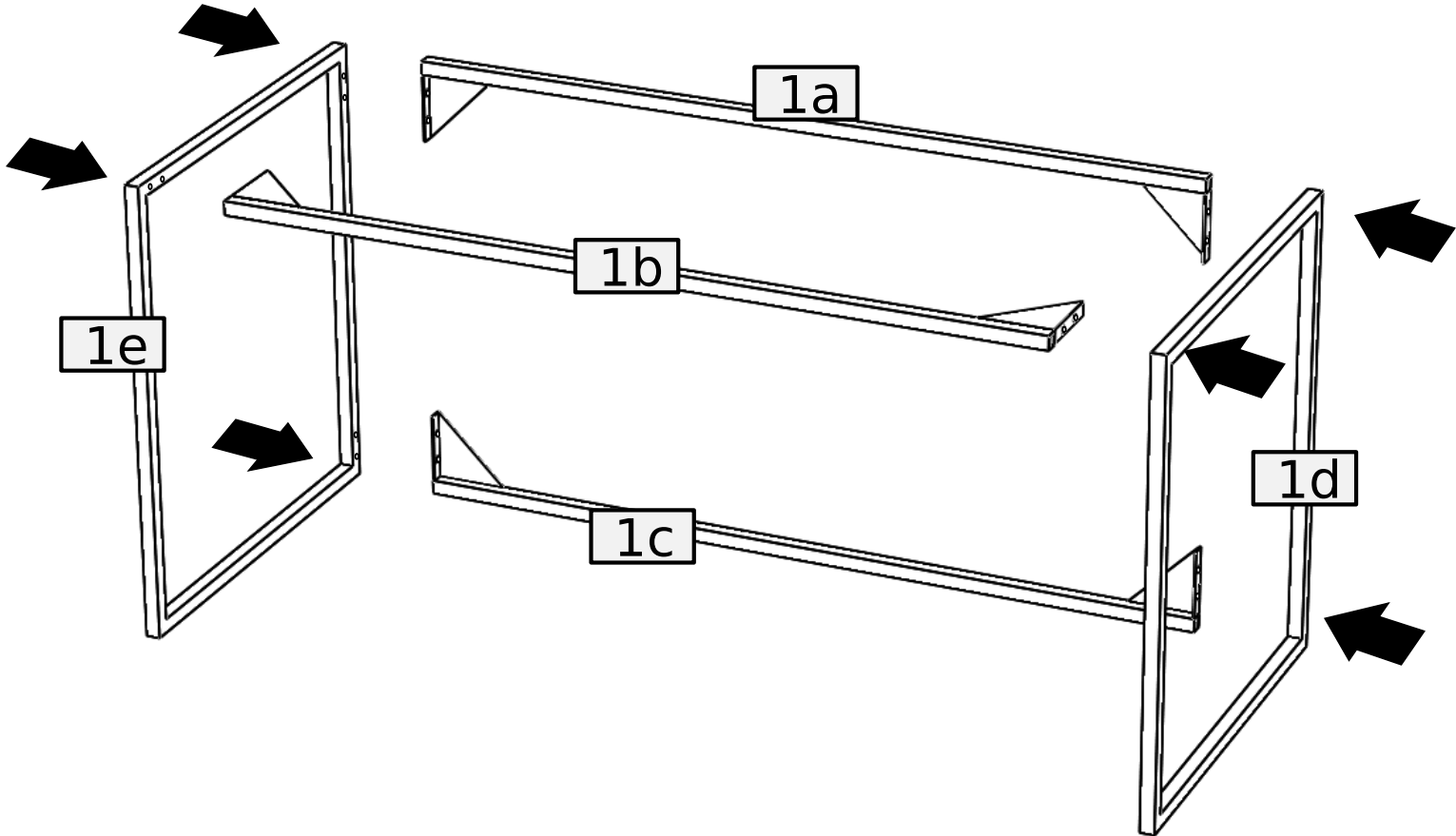
1



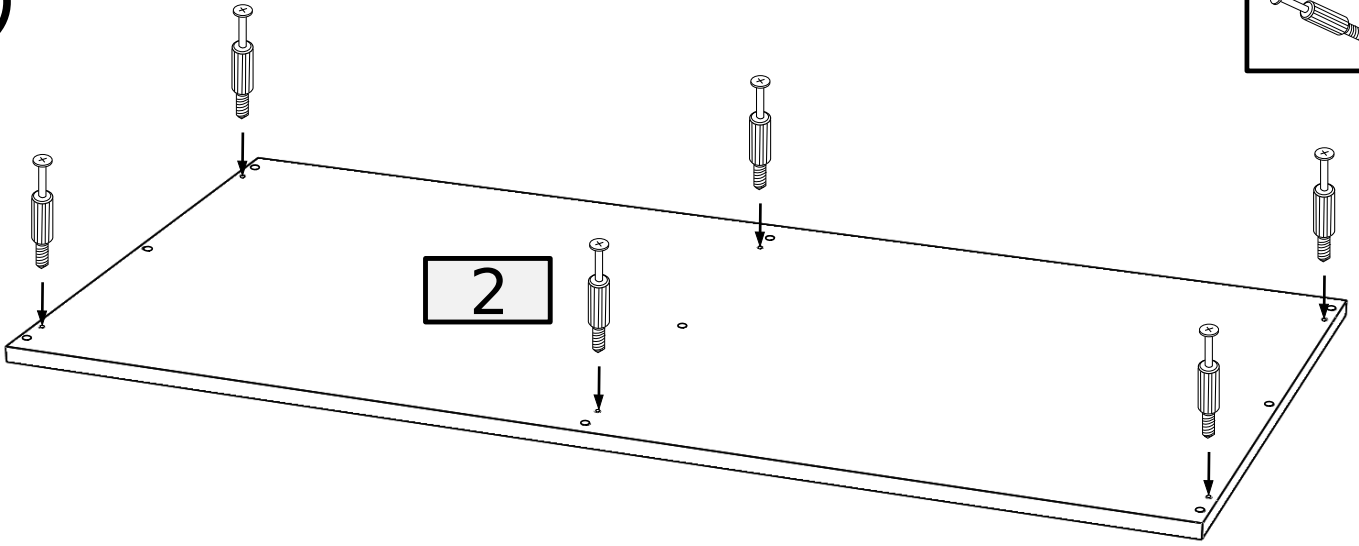
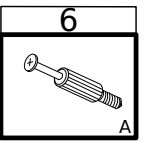
| | |
|---|--|
| 1 | 12 |
|  |  |
| U1 | US |



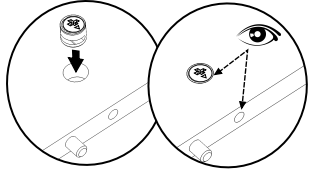
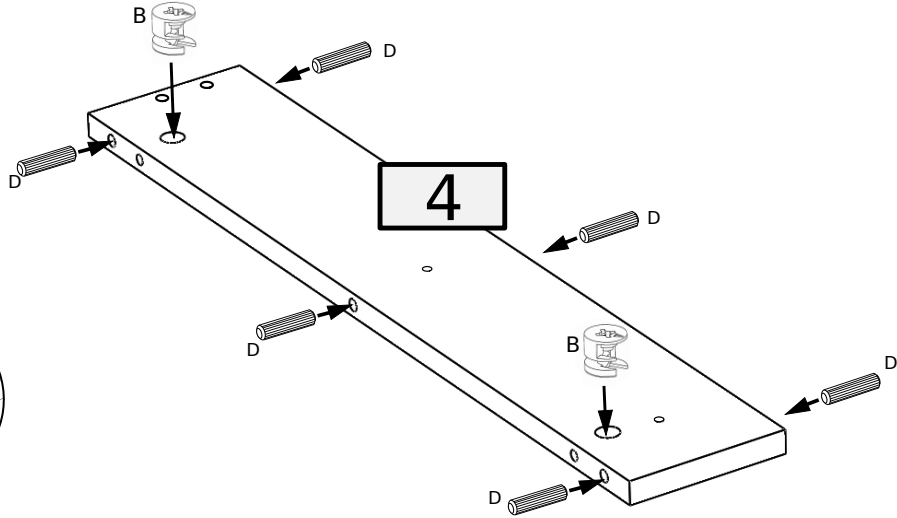
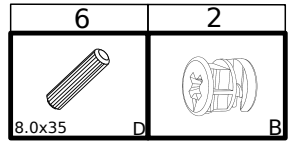
x6



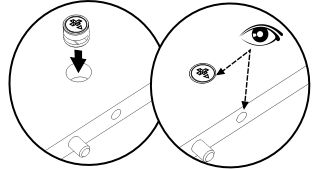
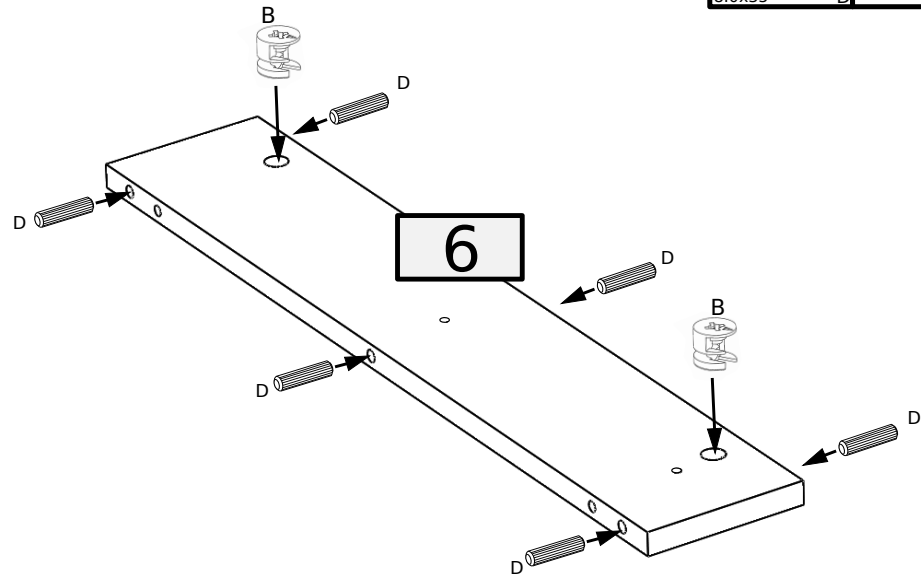
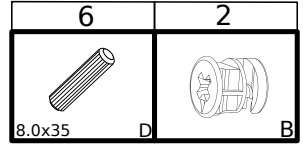
2



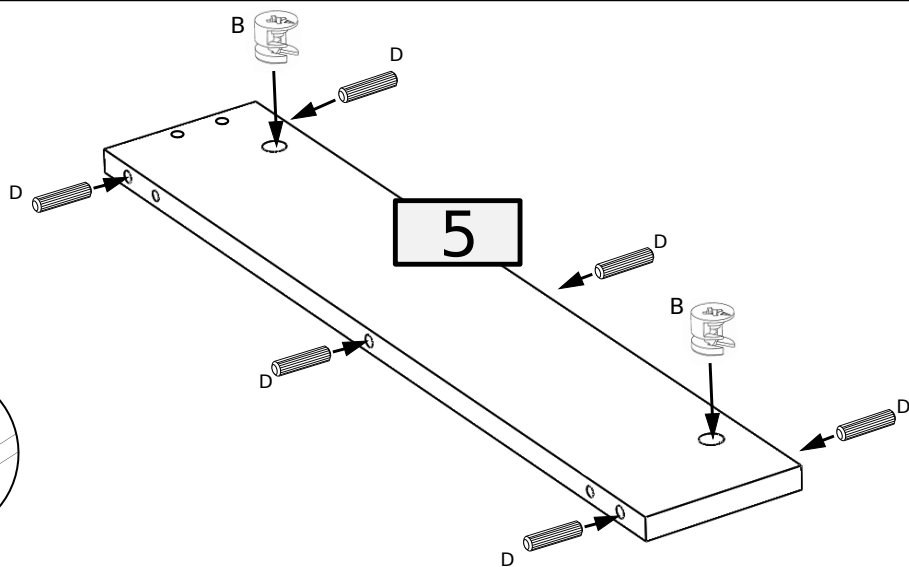
3

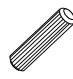



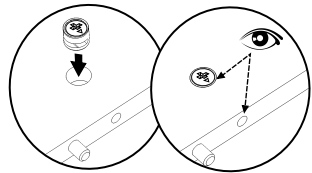
4



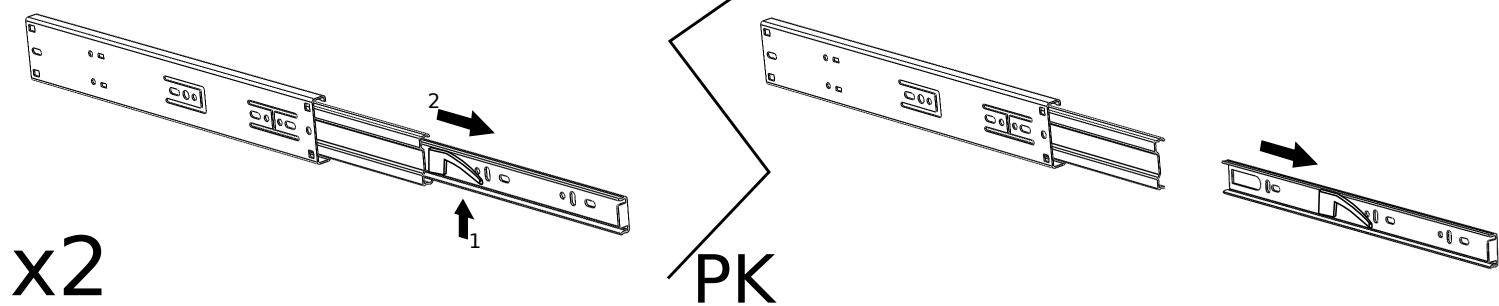
5



| | |
|---|---|
| 6 | 2 |
|  |  |
| 8.0x35 | D B |



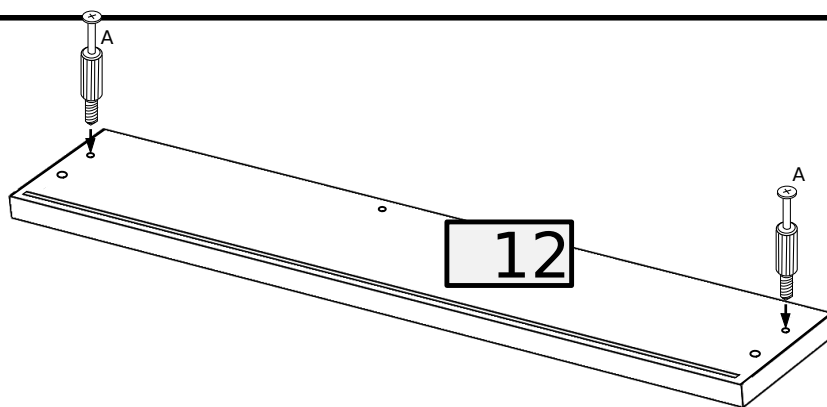
6

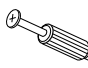


x2

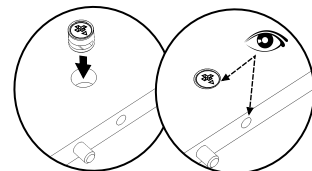
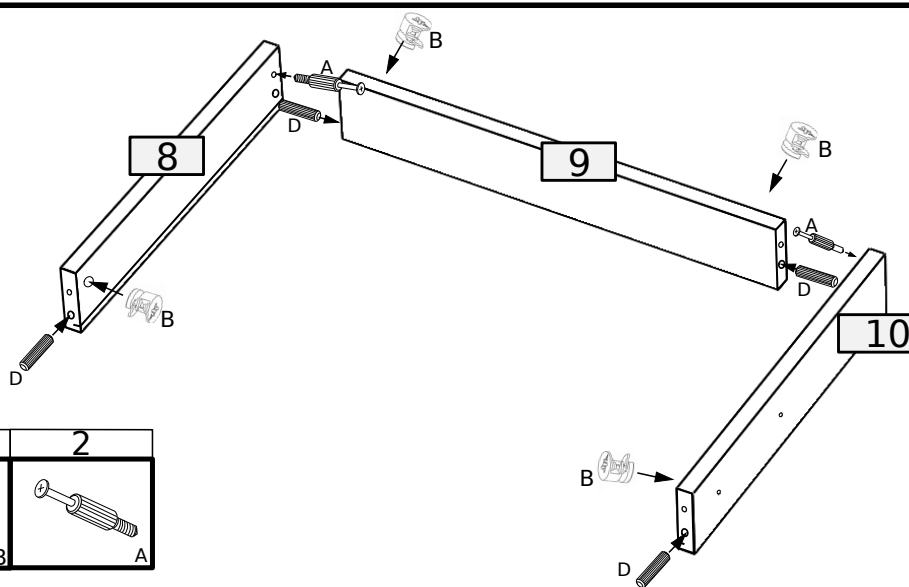
PK

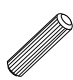

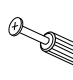
7



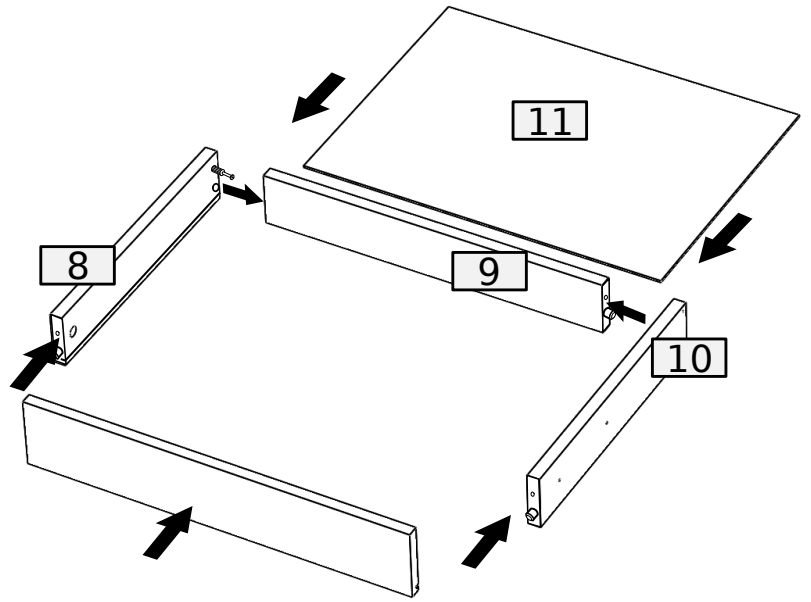
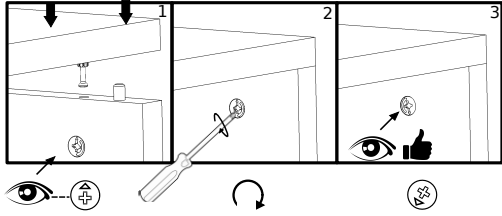
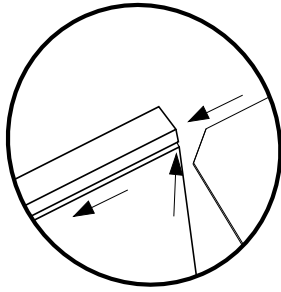
| |
|---|
| 2 |
|  |
| A |

8

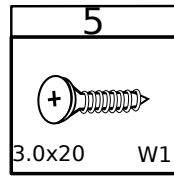
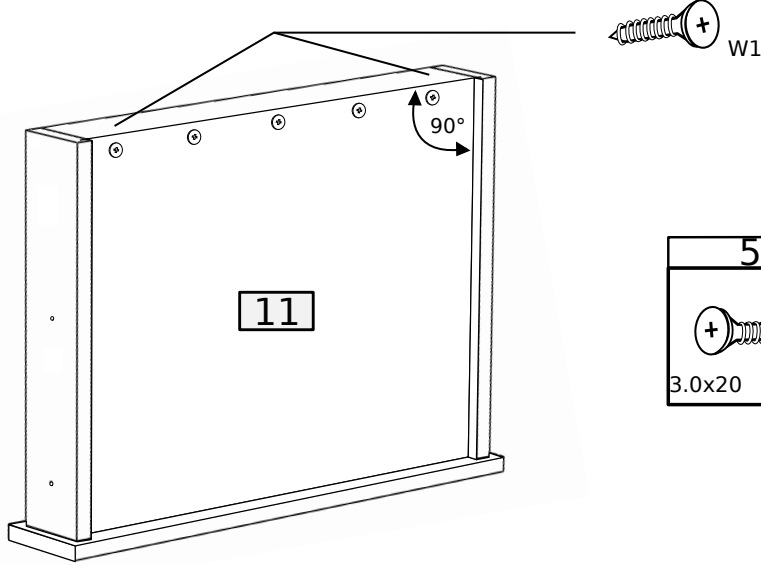


| | | |
|--|---|---|
| 4 | 4 | 2 |
|  |  |  |
| 8.0x35 | D B | A |

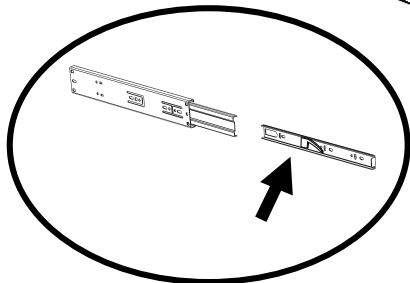
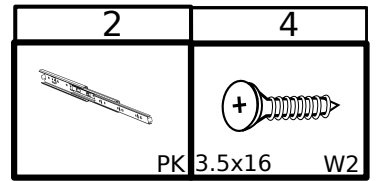
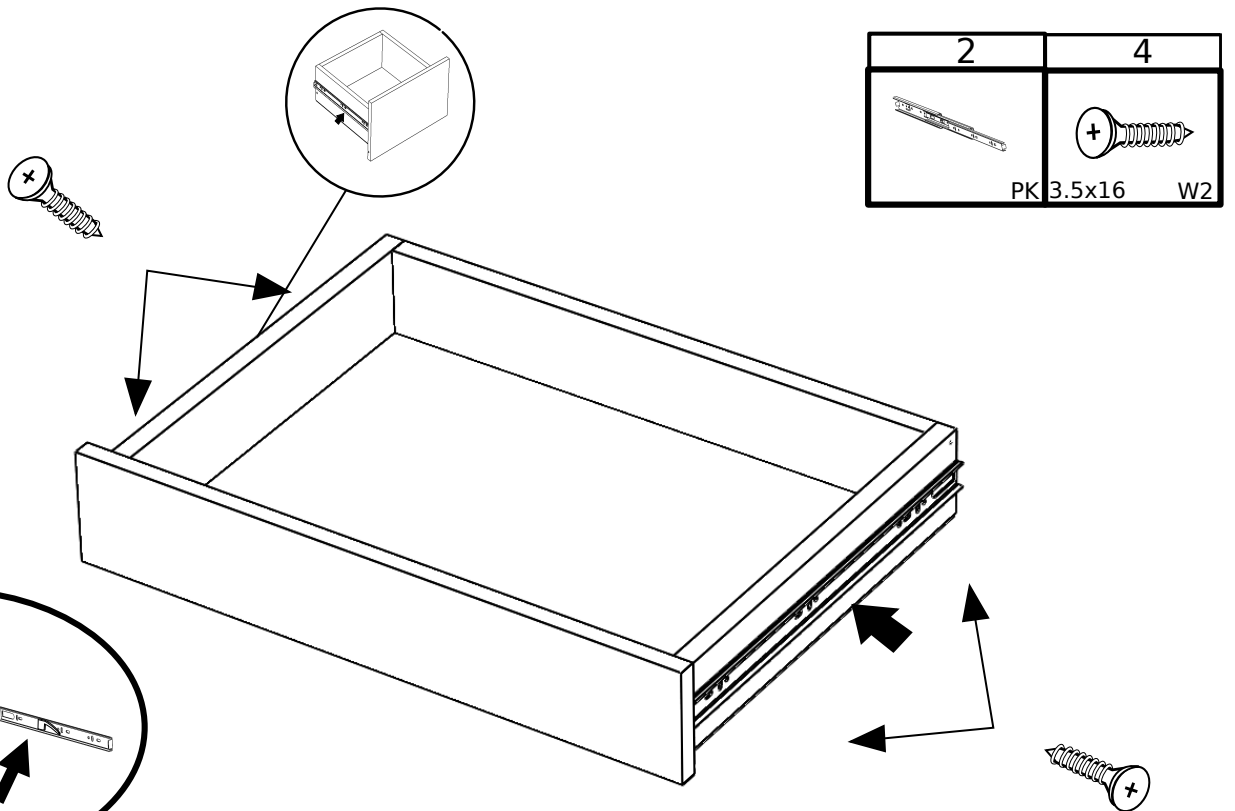
9



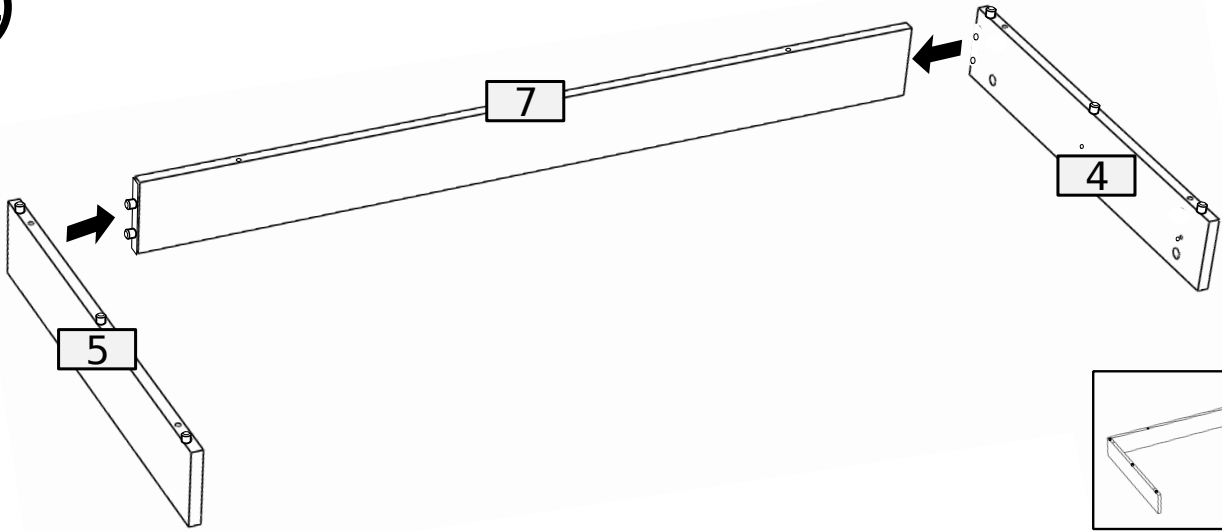
10



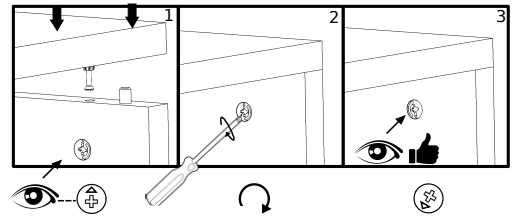
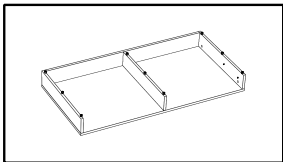
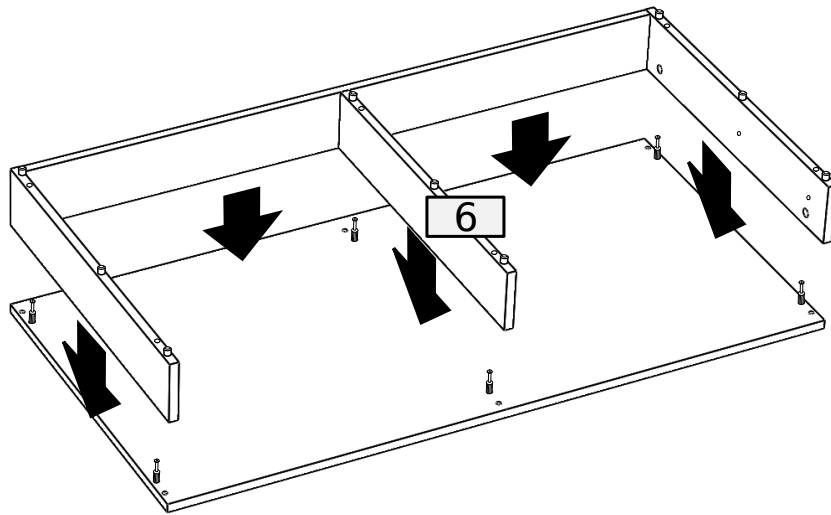
11



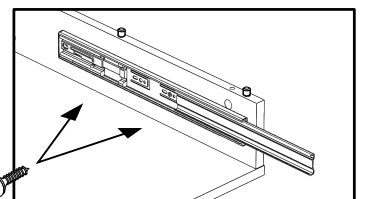
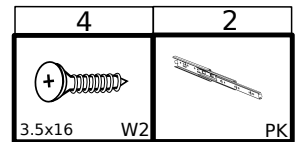
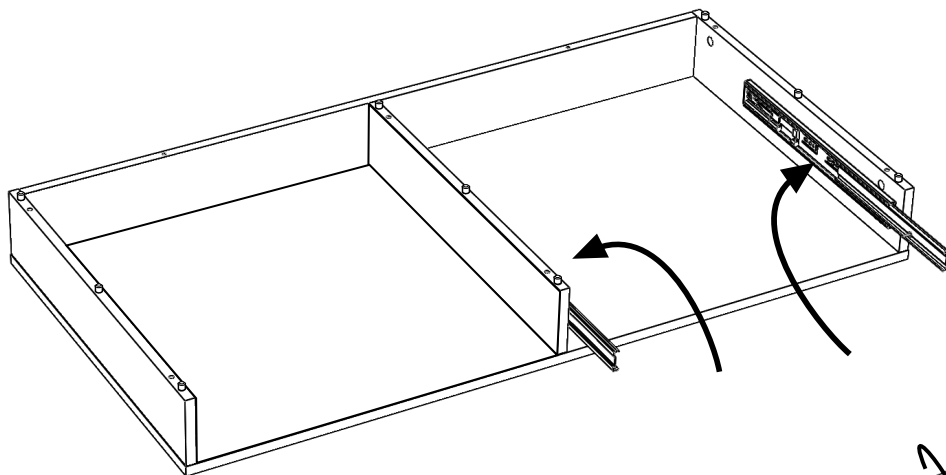
14



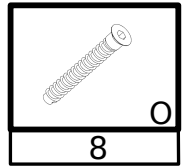
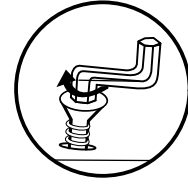
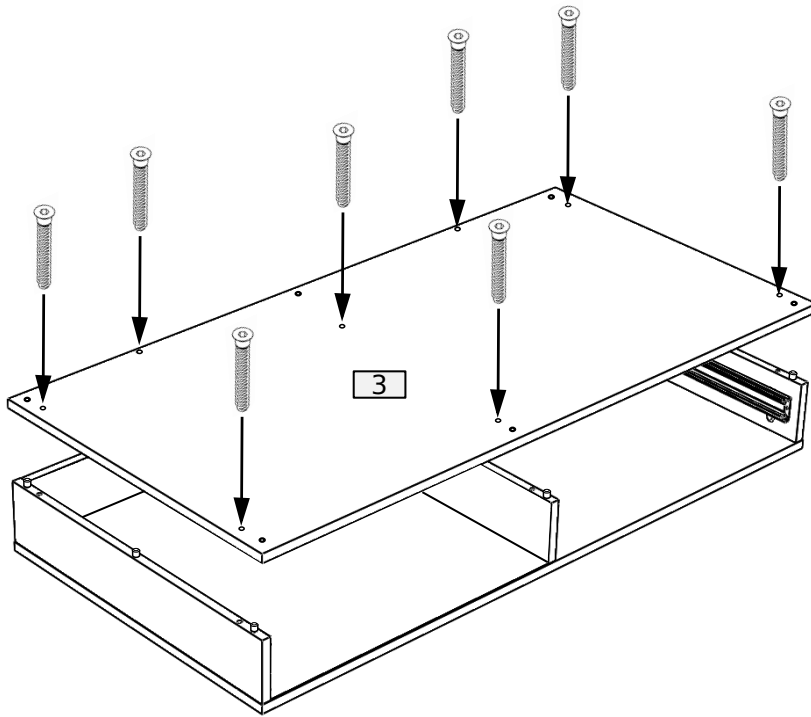
15



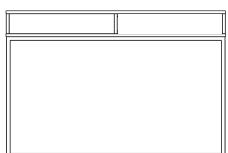
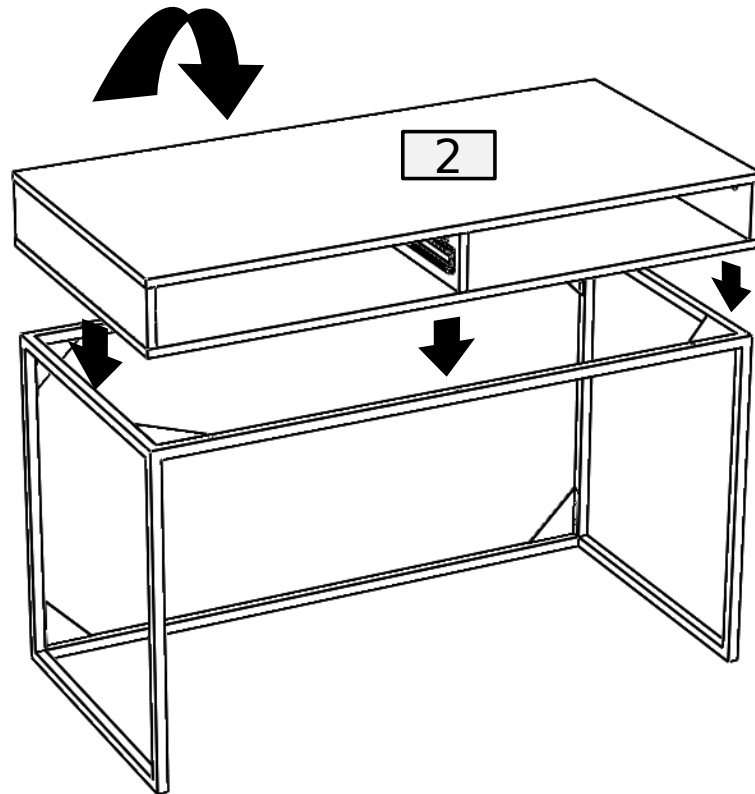
16



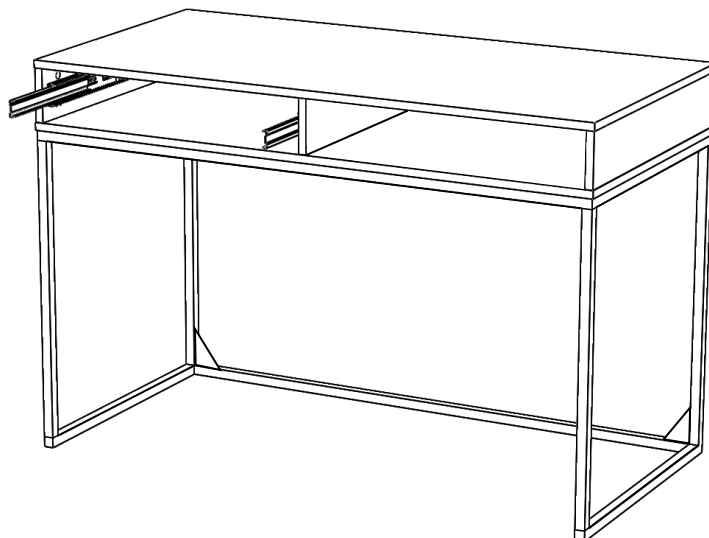
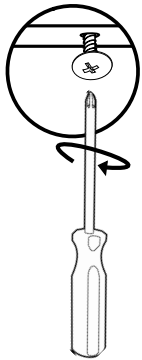
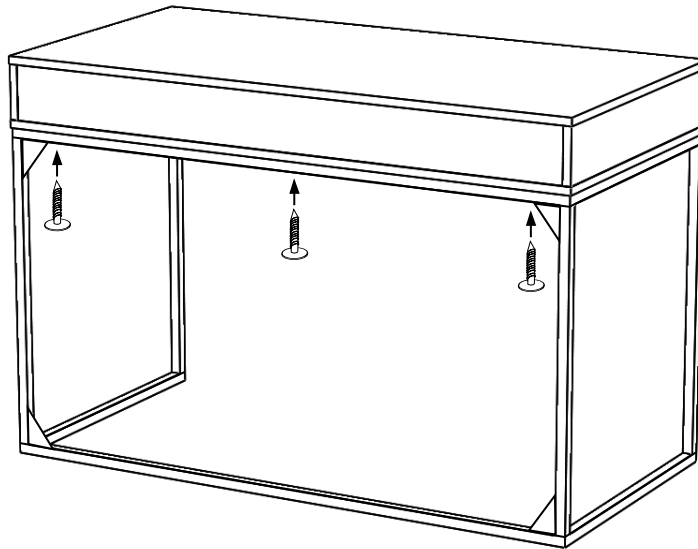
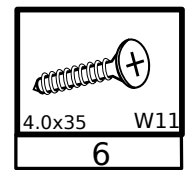
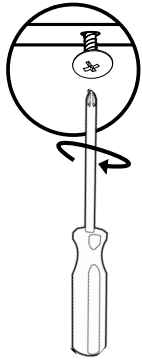
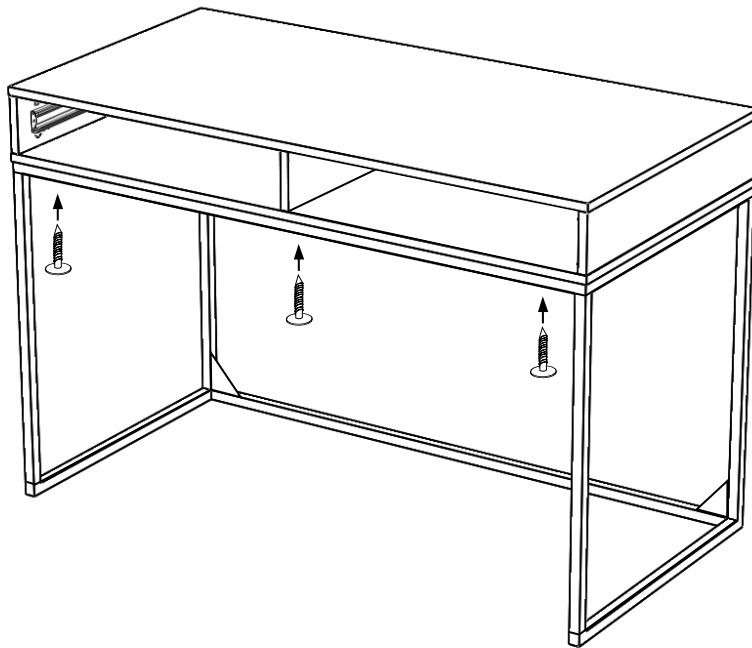
17



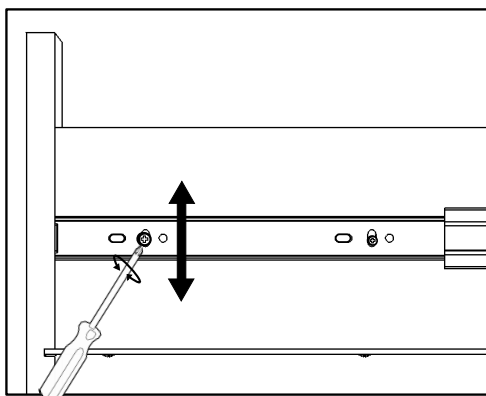
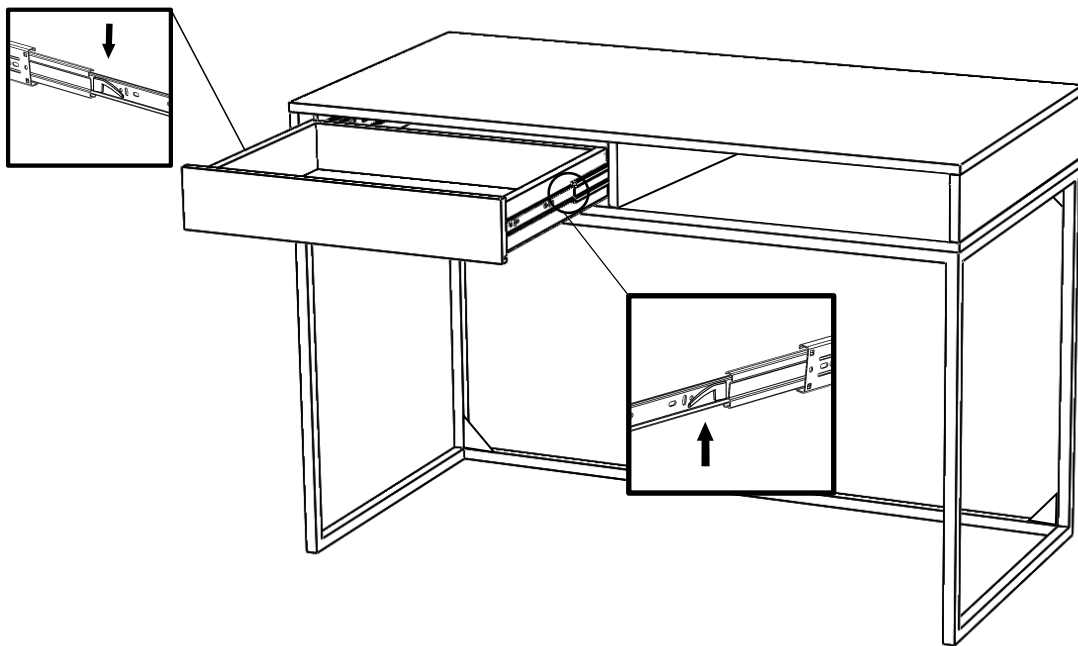
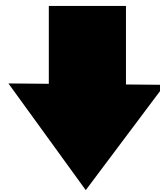
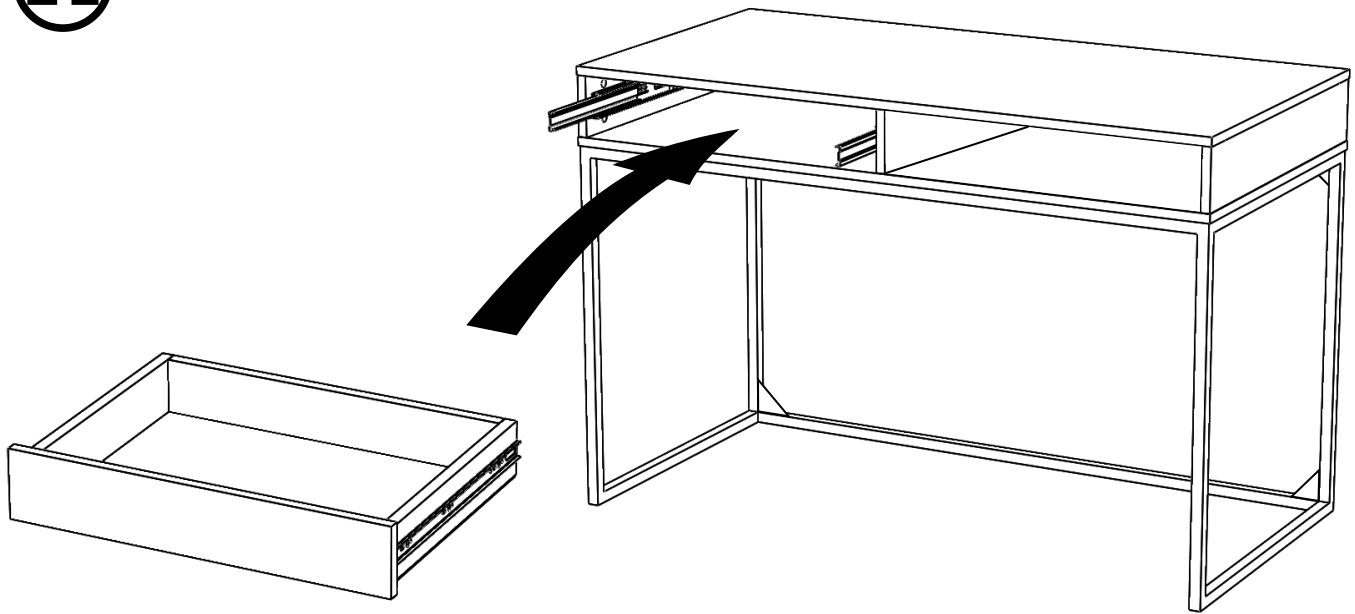
18



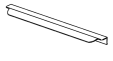

20

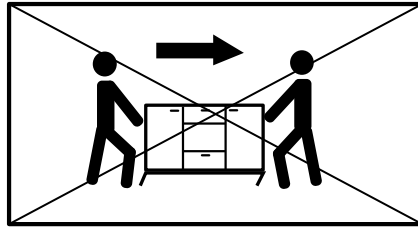
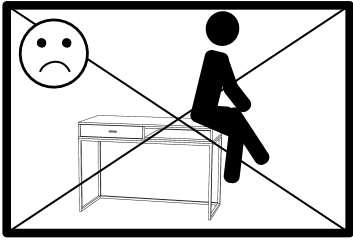
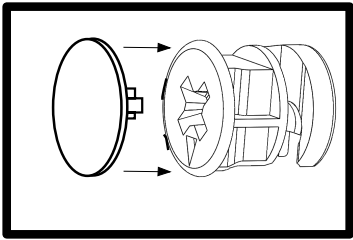
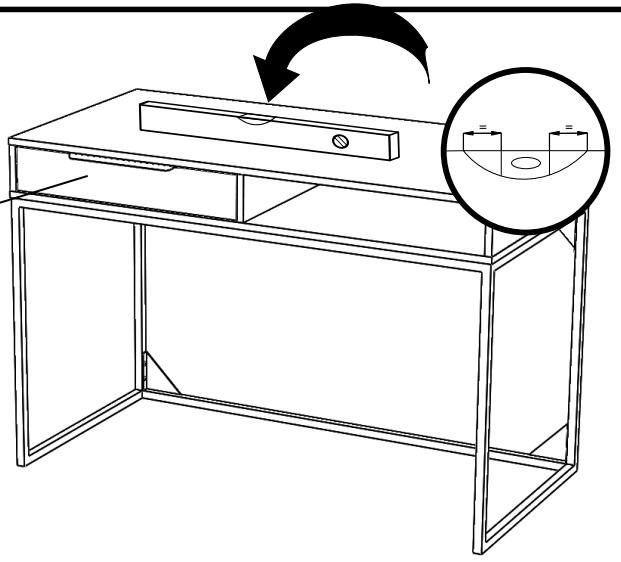
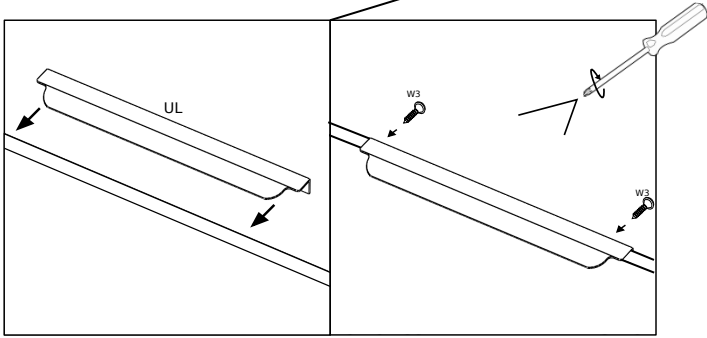


21

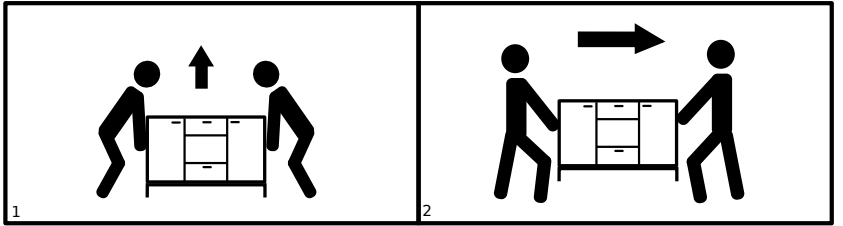


22

| | |
|---|---|
| 1 | 2 |
|  |  |
| UL | 3.0x16 W3 |



X



✓

