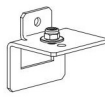
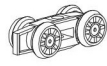


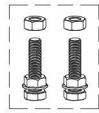
x1



x5



x2



x1



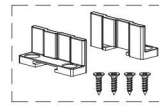
x2



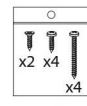
x2



x3



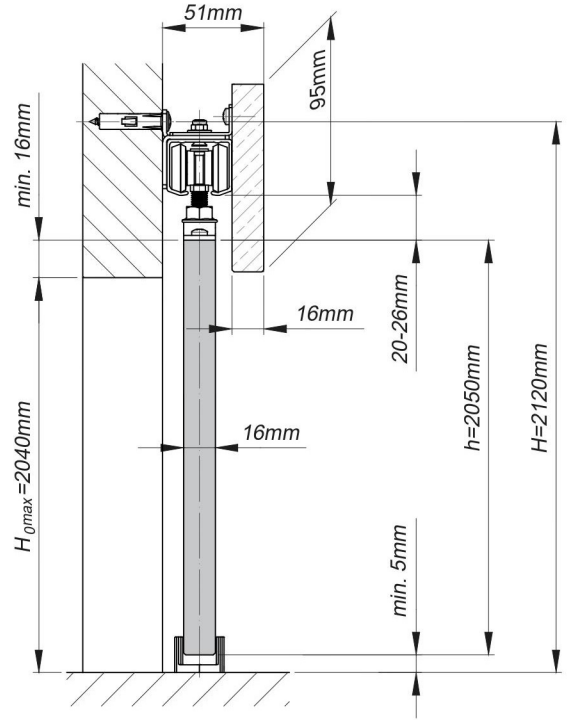
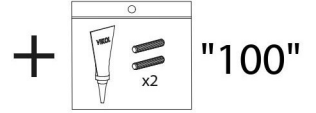
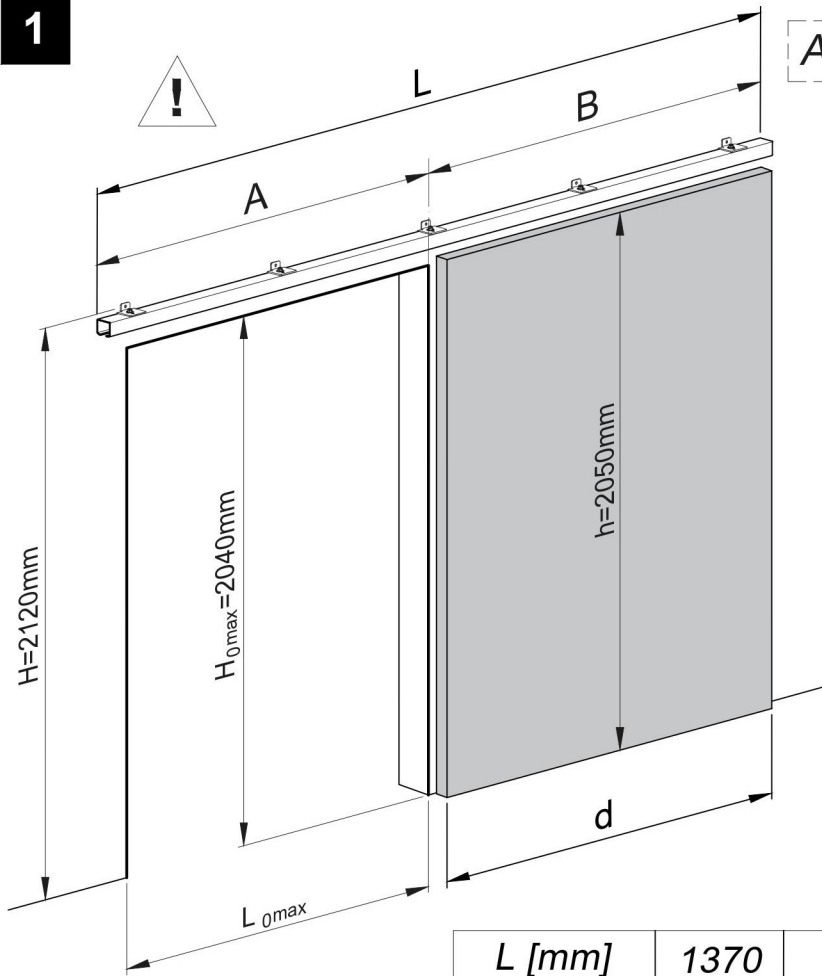
x1



x1

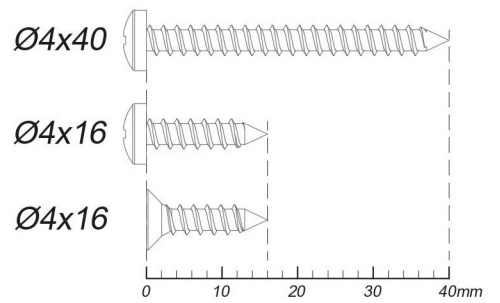
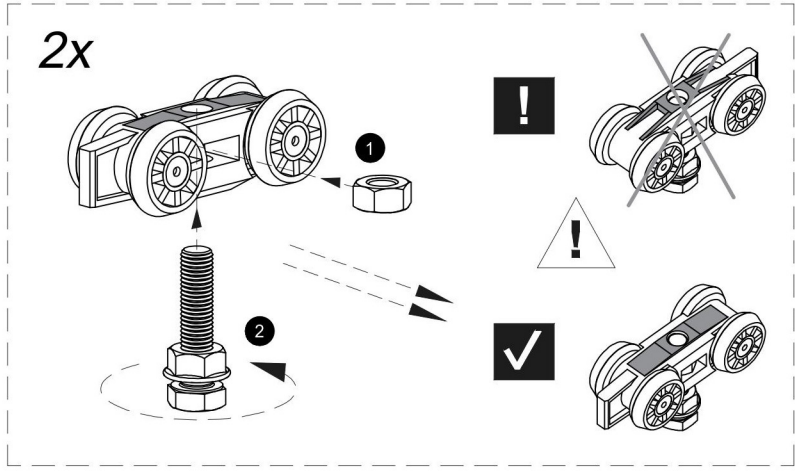


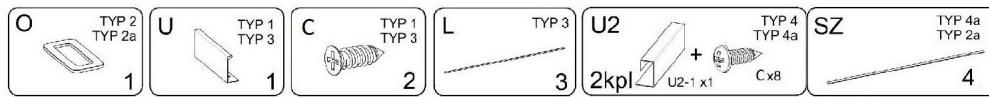
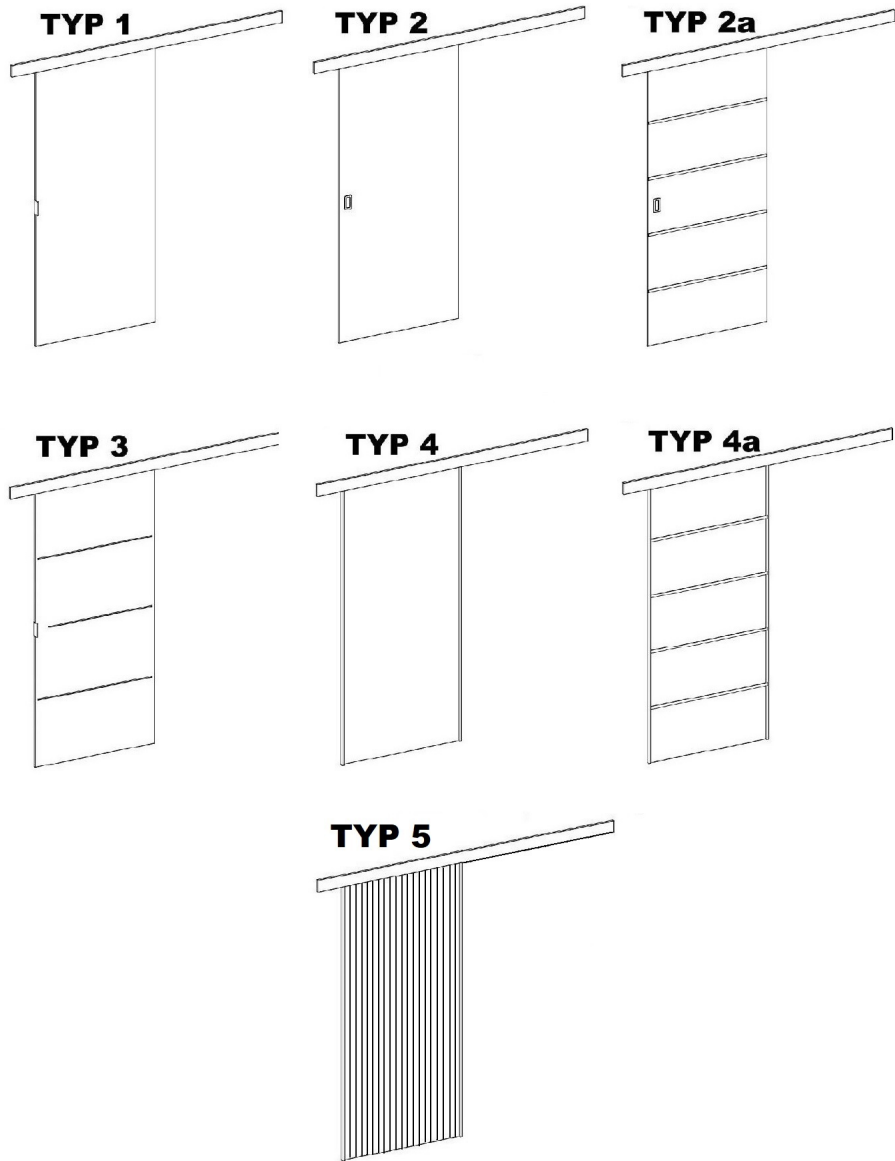
1



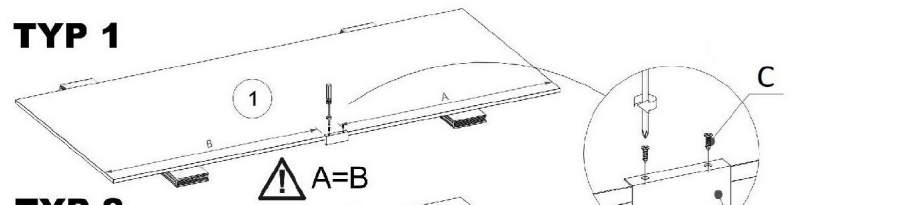
L [mm]	1370	2000			
d [mm]	660 "60"	760 "70"	860 "80"	960 "90"	1060 "100"
L <sub>0max</sub> [mm]	600	700	800	900	1000

2

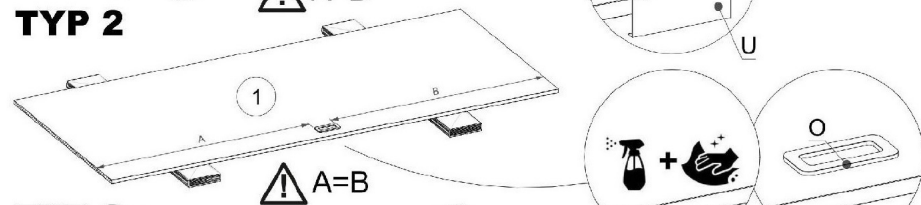




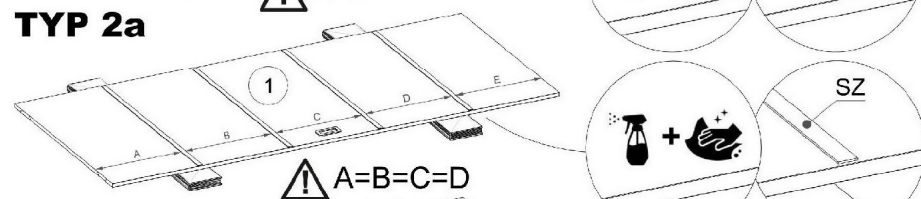
**TYP 1**



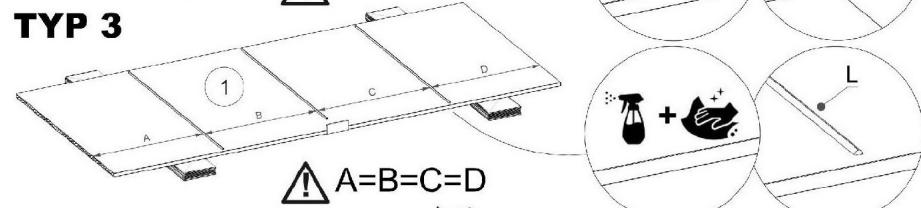
**TYP 2**



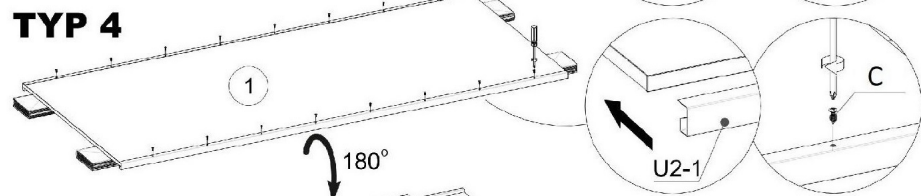
**TYP 2a**



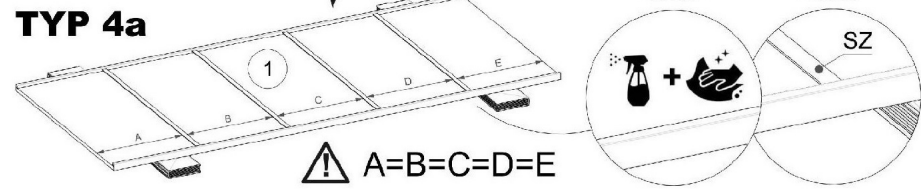
**TYP 3**



**TYP 4**



**TYP 4a**

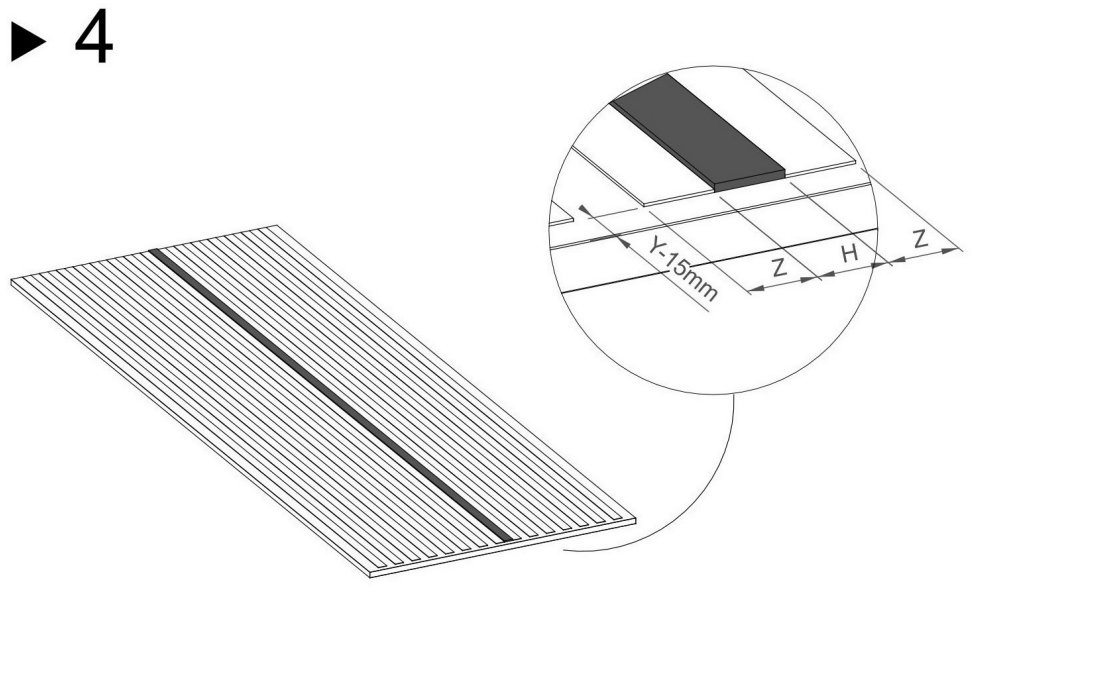
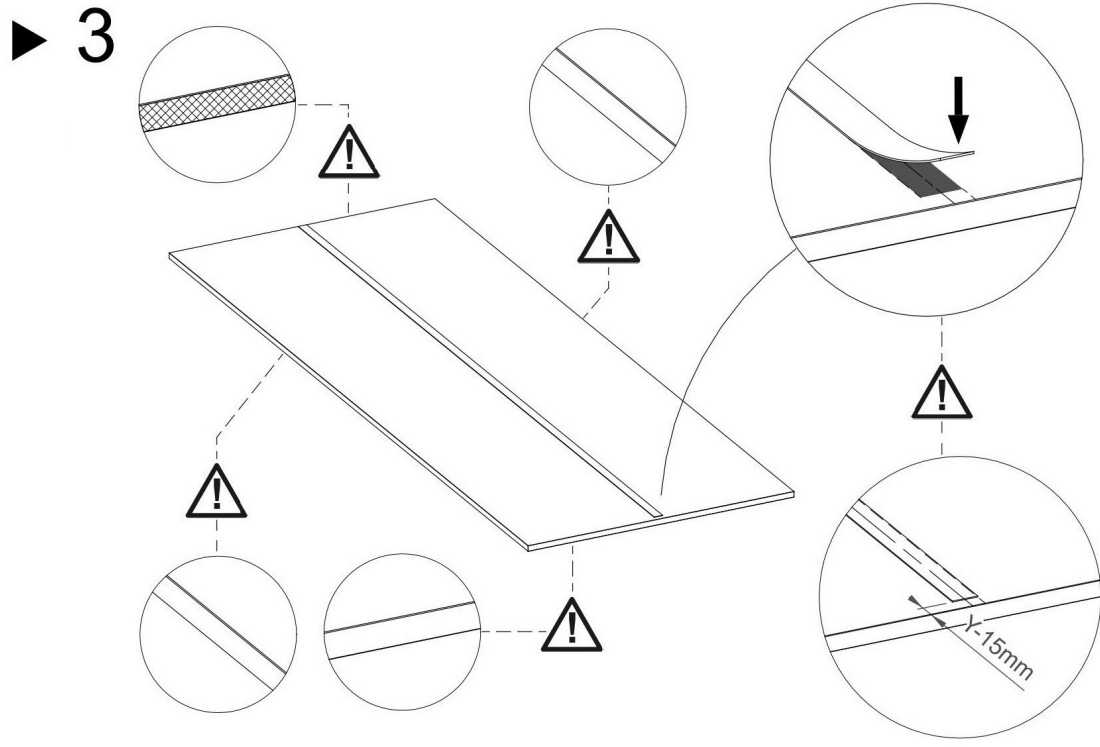
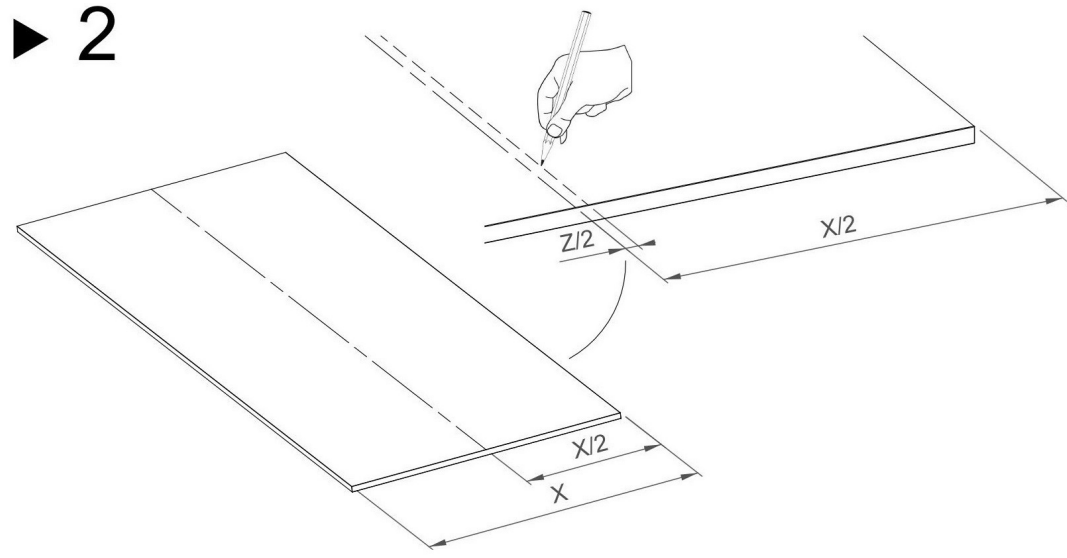
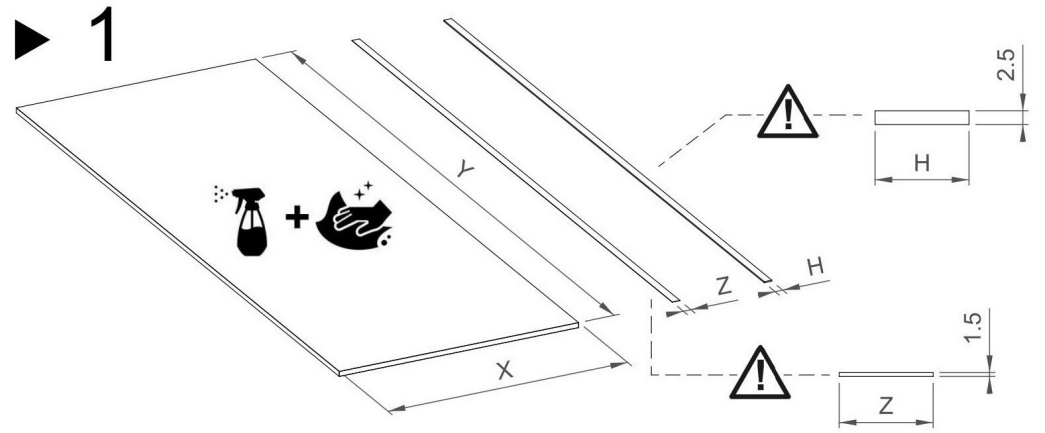
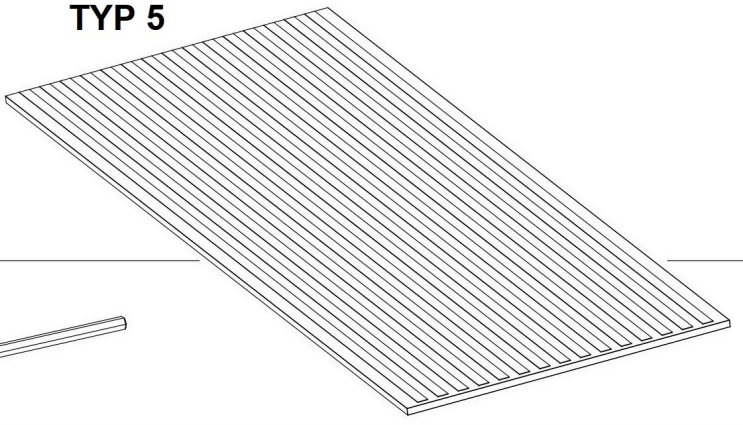
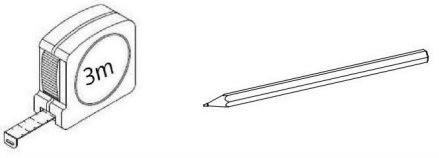


3b

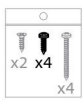
TYP 5



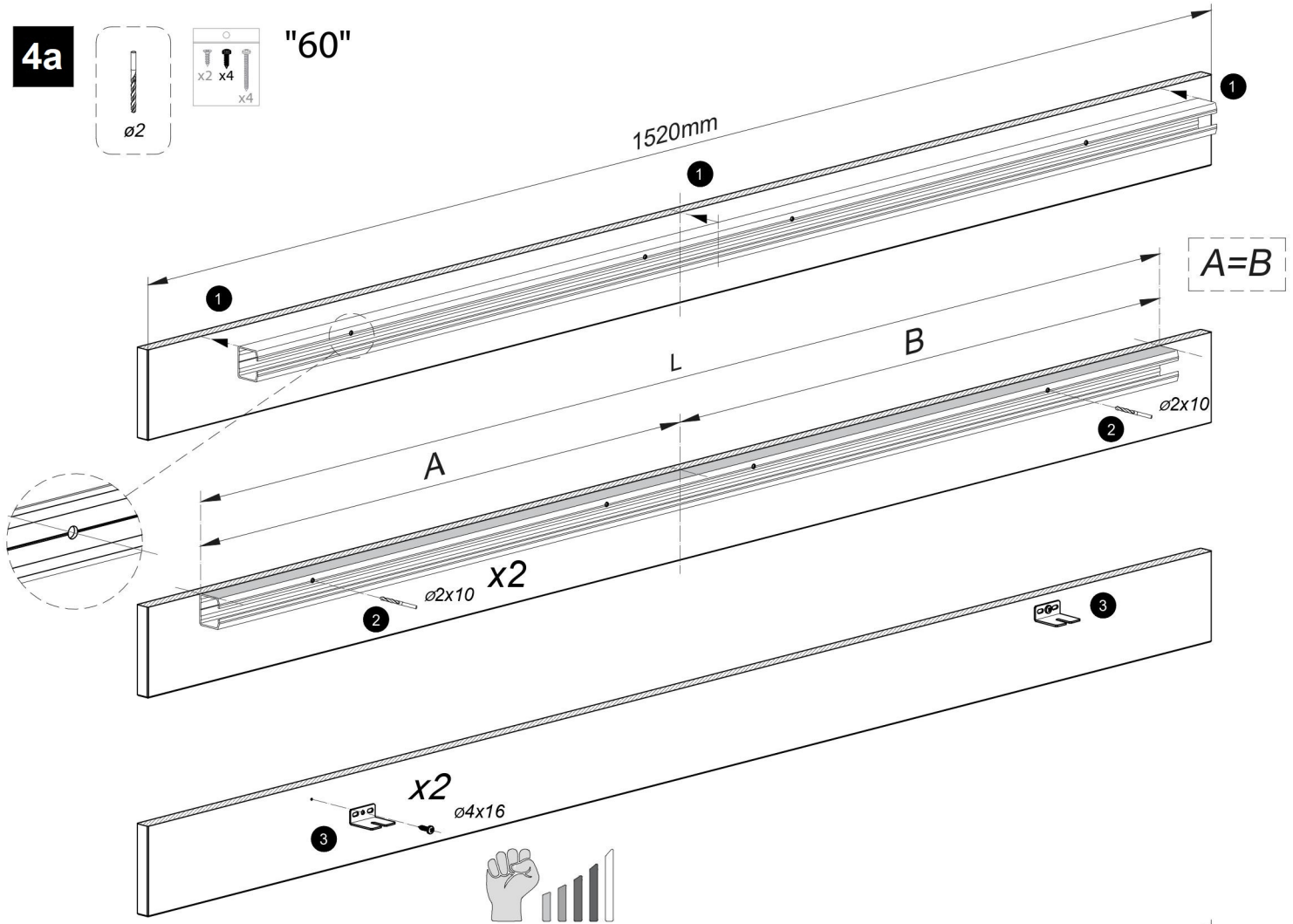
~25 min



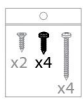
4a



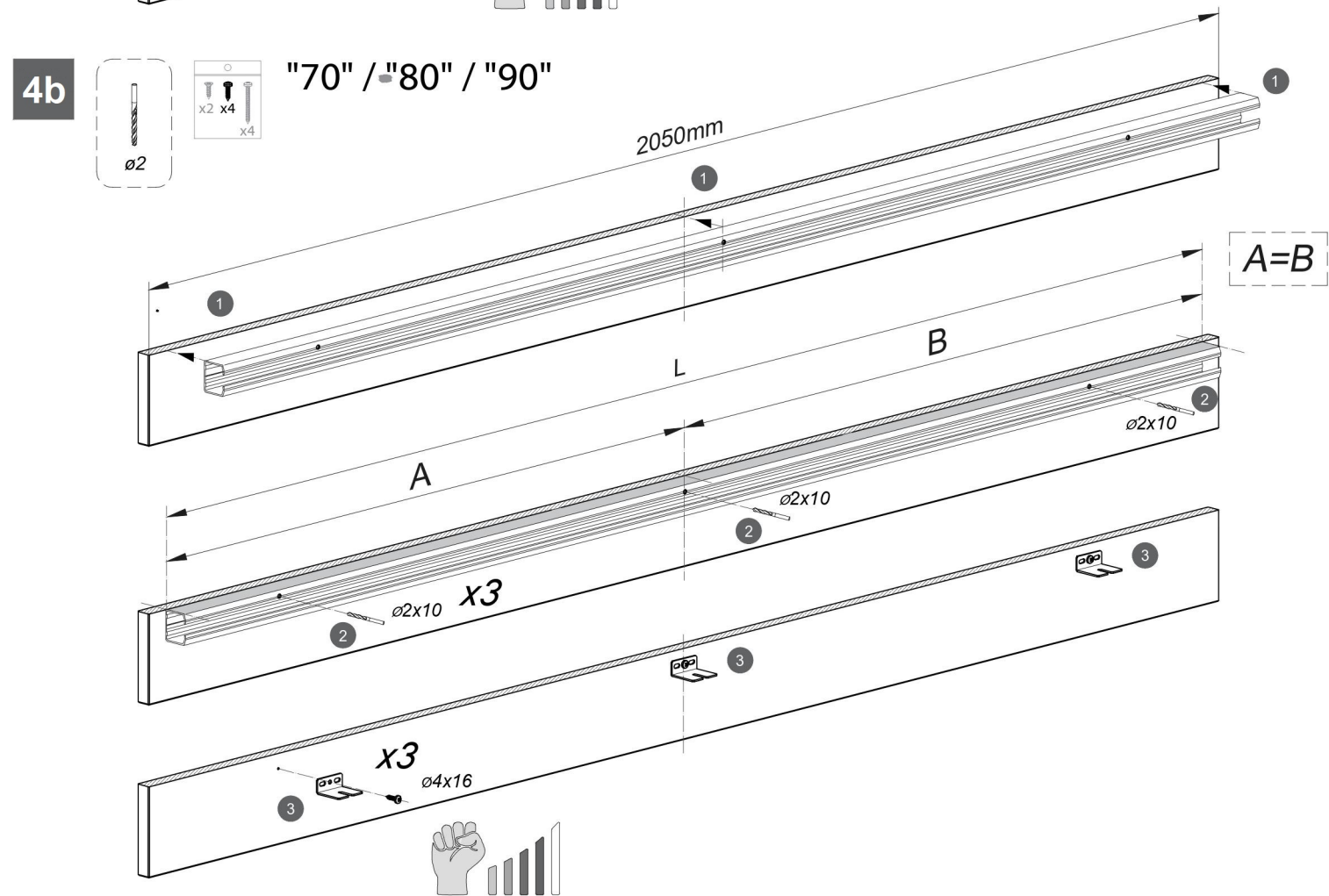
"60"



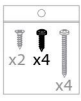
4b



"70" / "80" / "90"



4c



"100"



1100mm

1100mm

2200mm

A=B

A

B

$\varnothing 2 \times 10$  x2

$\varnothing 2 \times 10$

$\varnothing 2 \times 2$

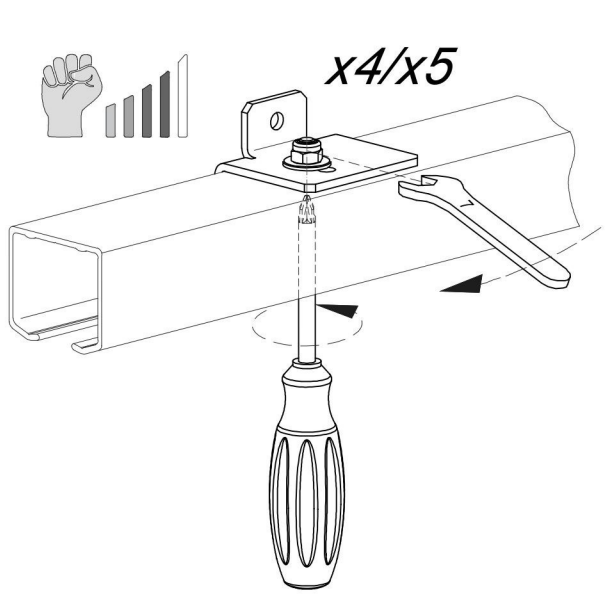
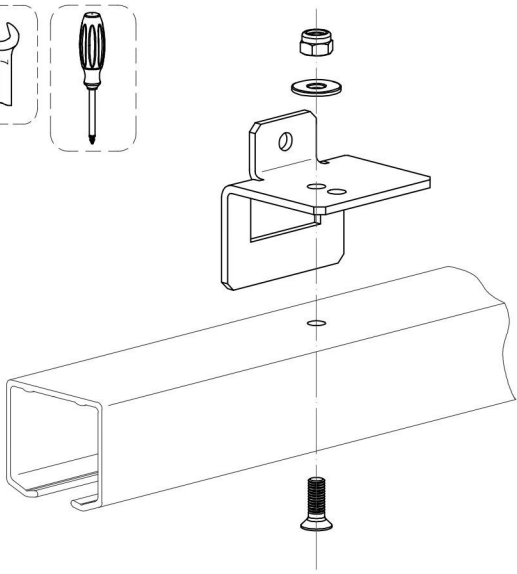
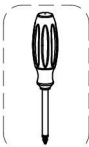
$\varnothing 4 \times 16$  x2

$\varnothing 2 \times 10$

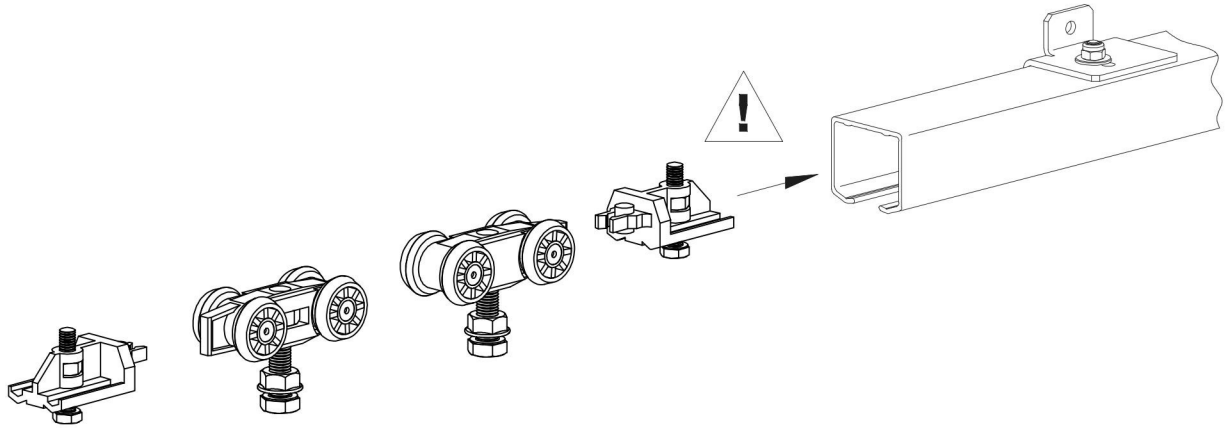
$\varnothing 4 \times 16$

x4/x5

5



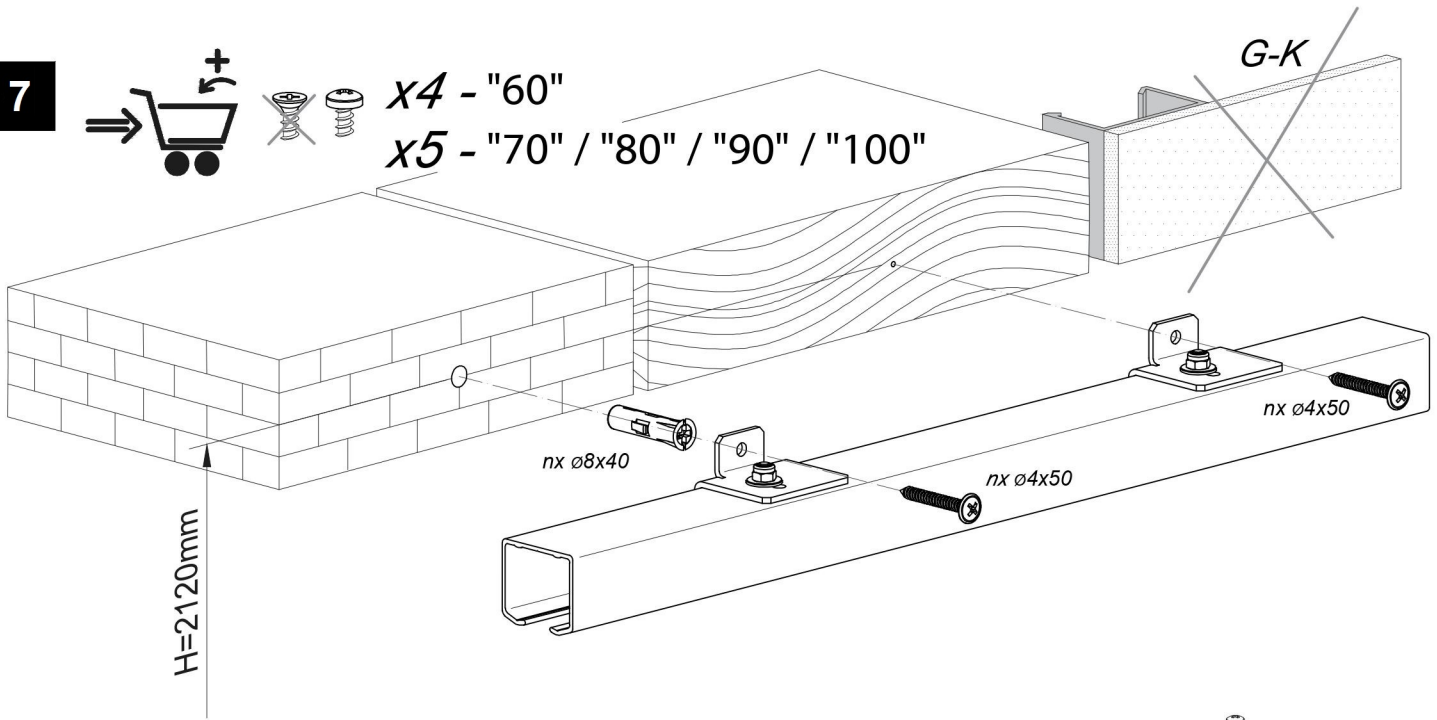
6



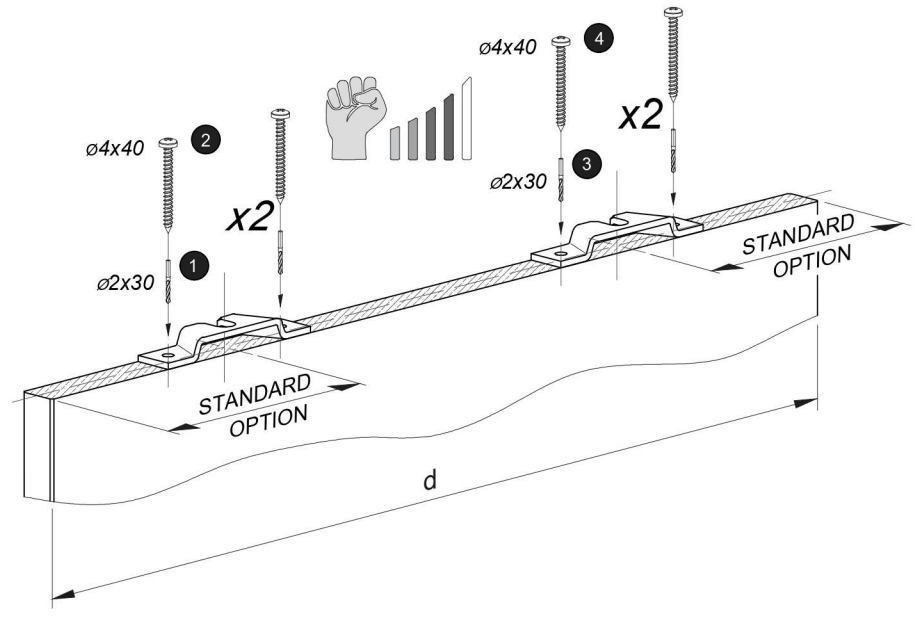
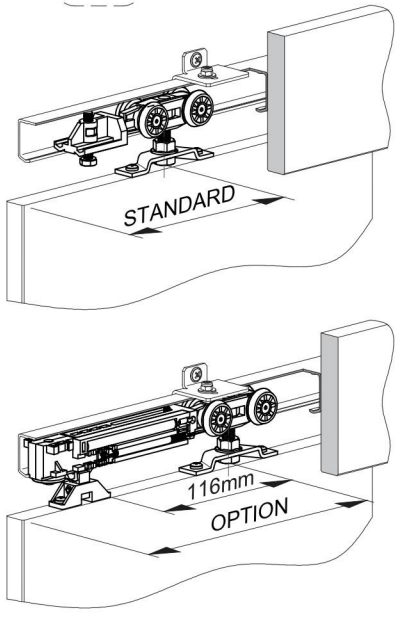
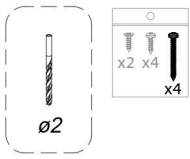
7



x4 - "60"  
x5 - "70" / "80" / "90" / "100"



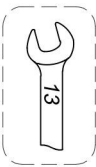
8



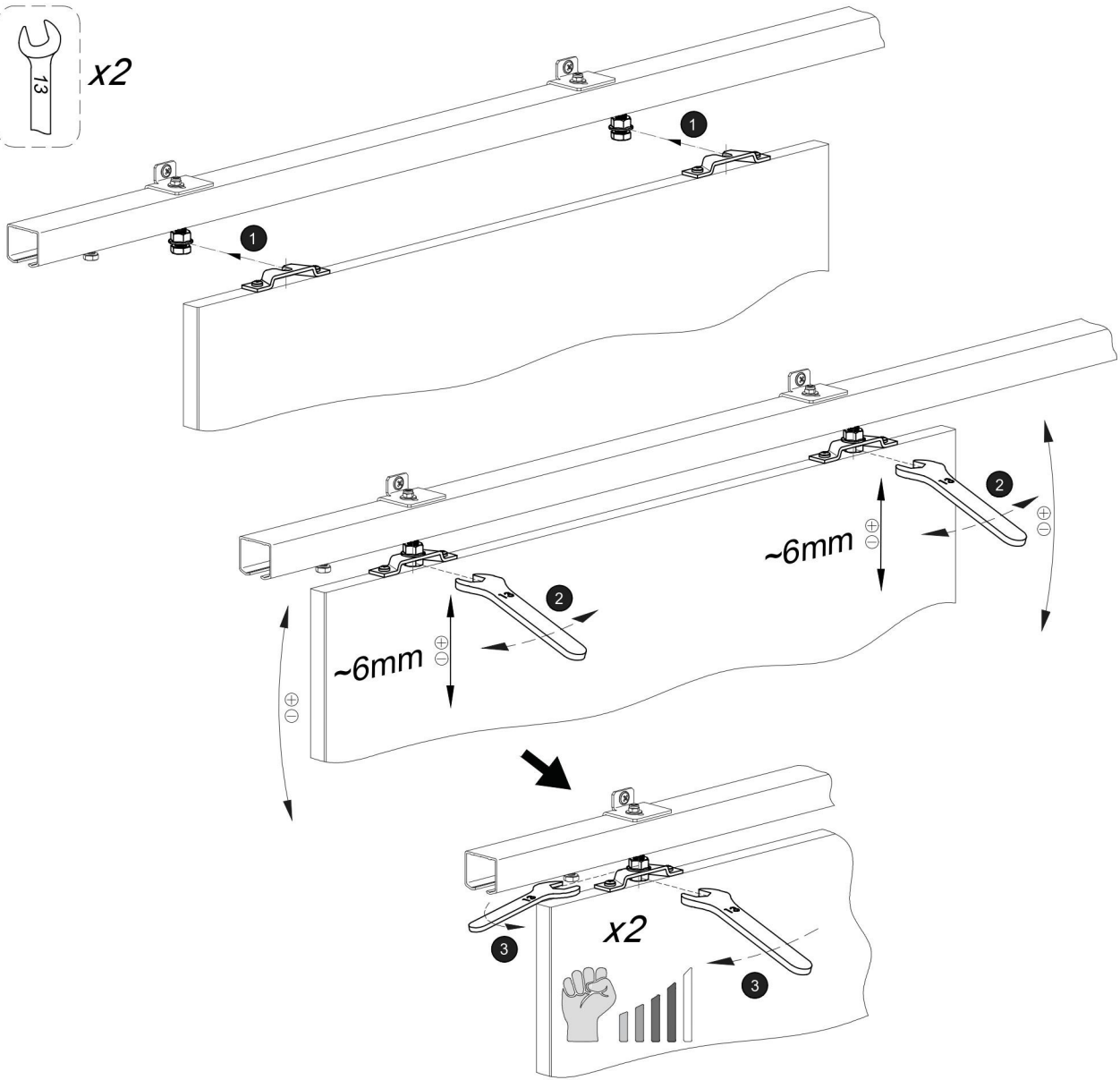
!

<i>d</i> [mm]	660 "60"	760 "70"	860 "80"	960 "90"	1060 "100"
<i>STANDARD</i> [mm]		100			160
<i>OPTION</i> [mm]		180			210

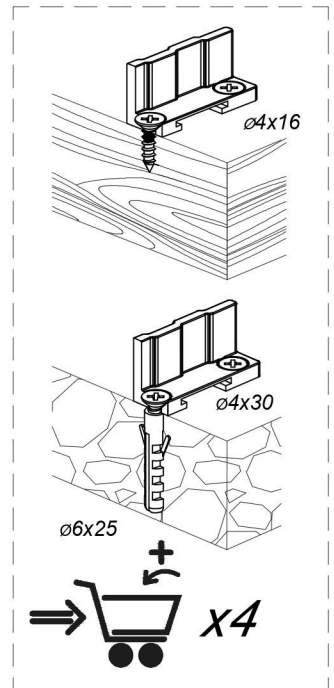
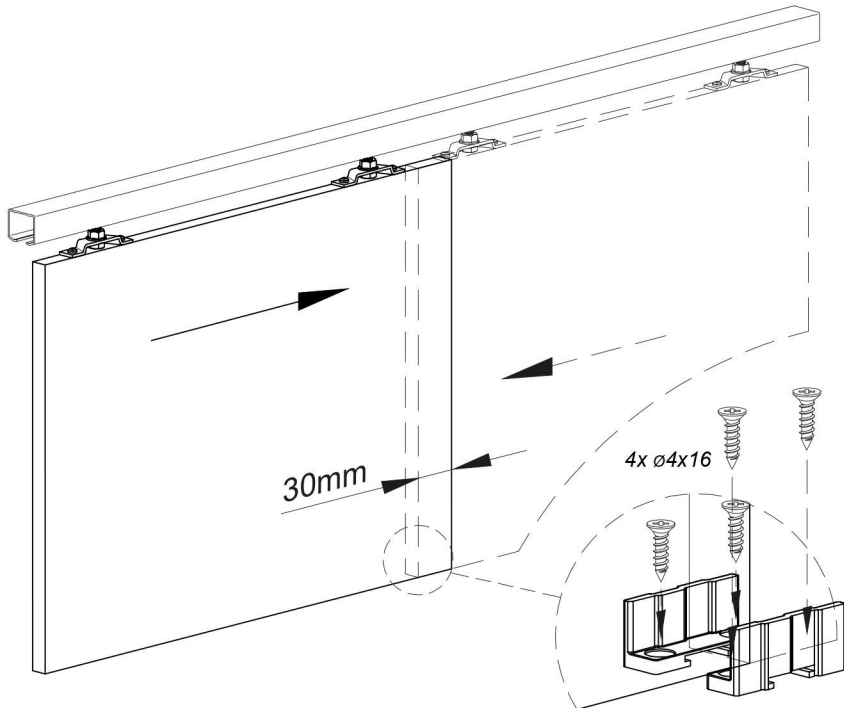
9



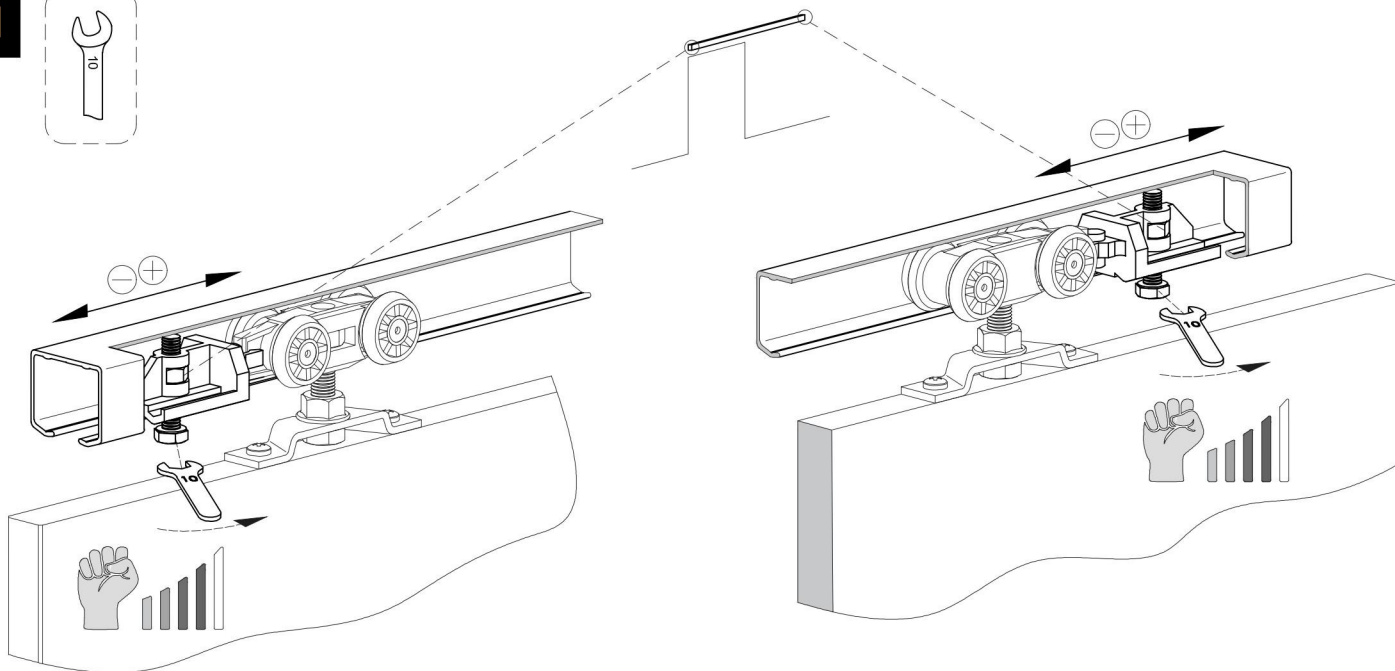
x2



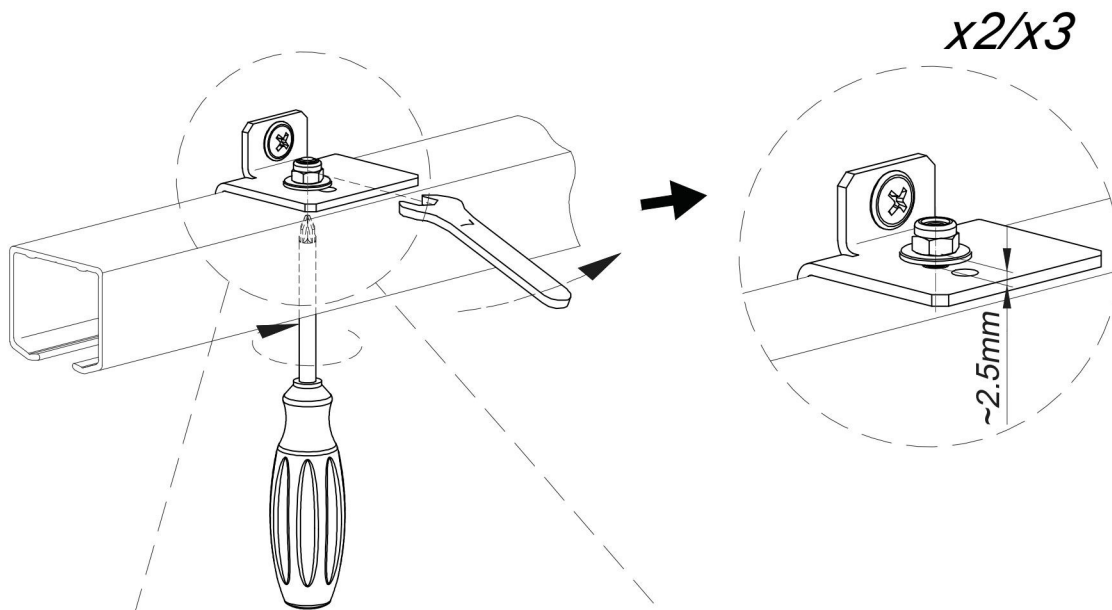
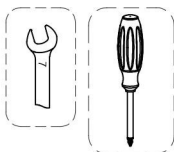
10



11

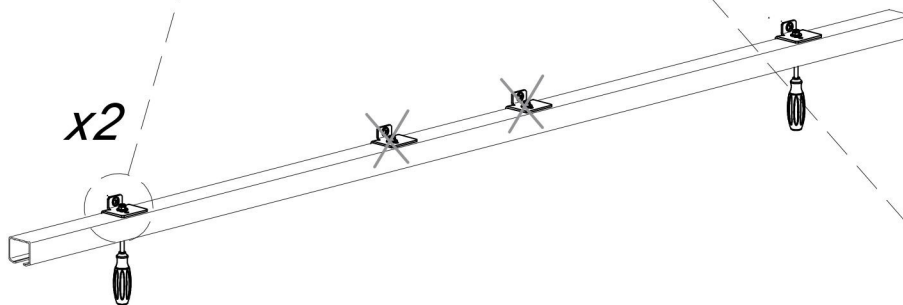


12



12a

"60"



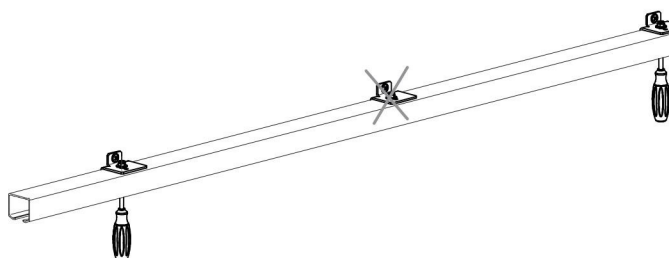
12b

"70" / "80" / "90"



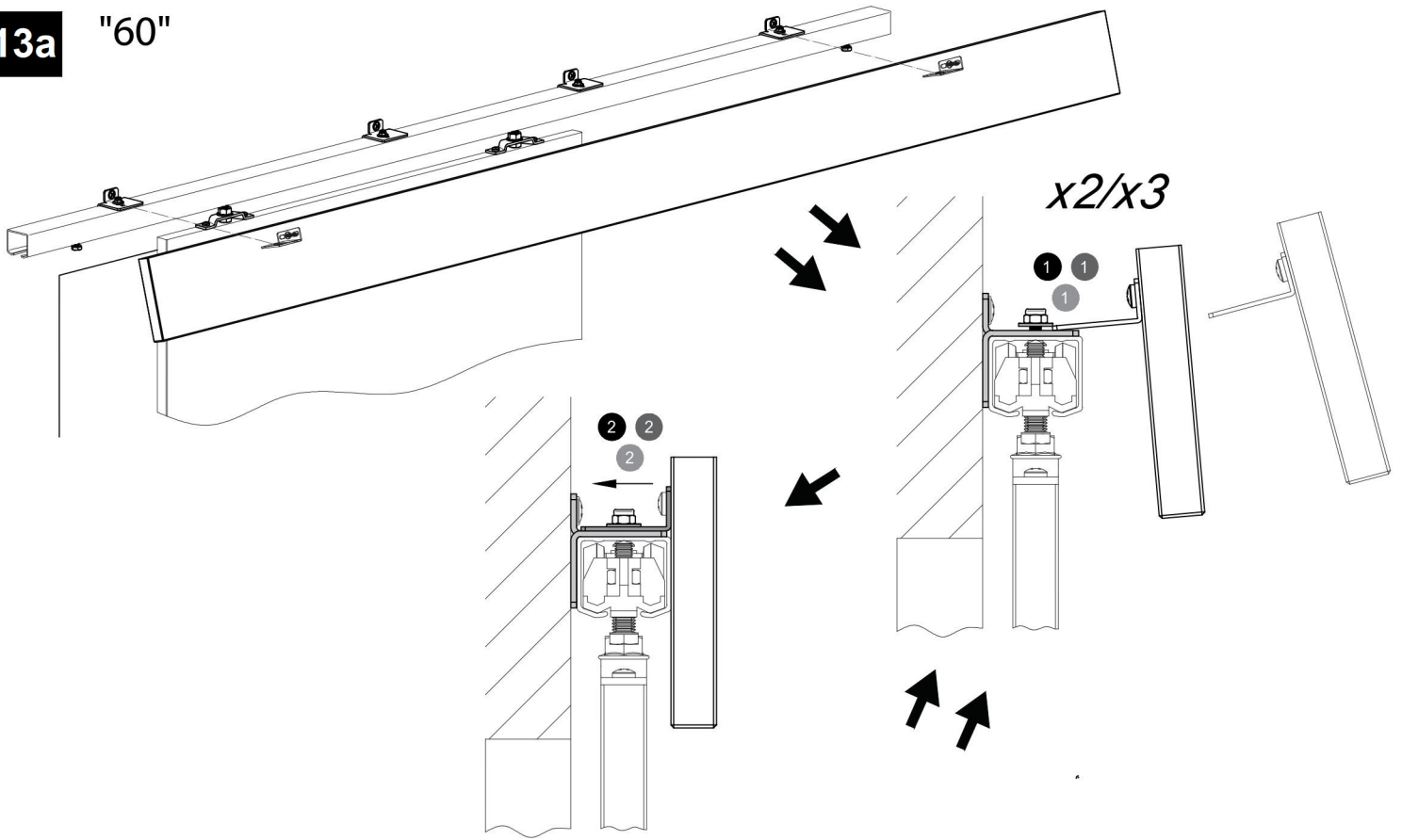
12c

"100"



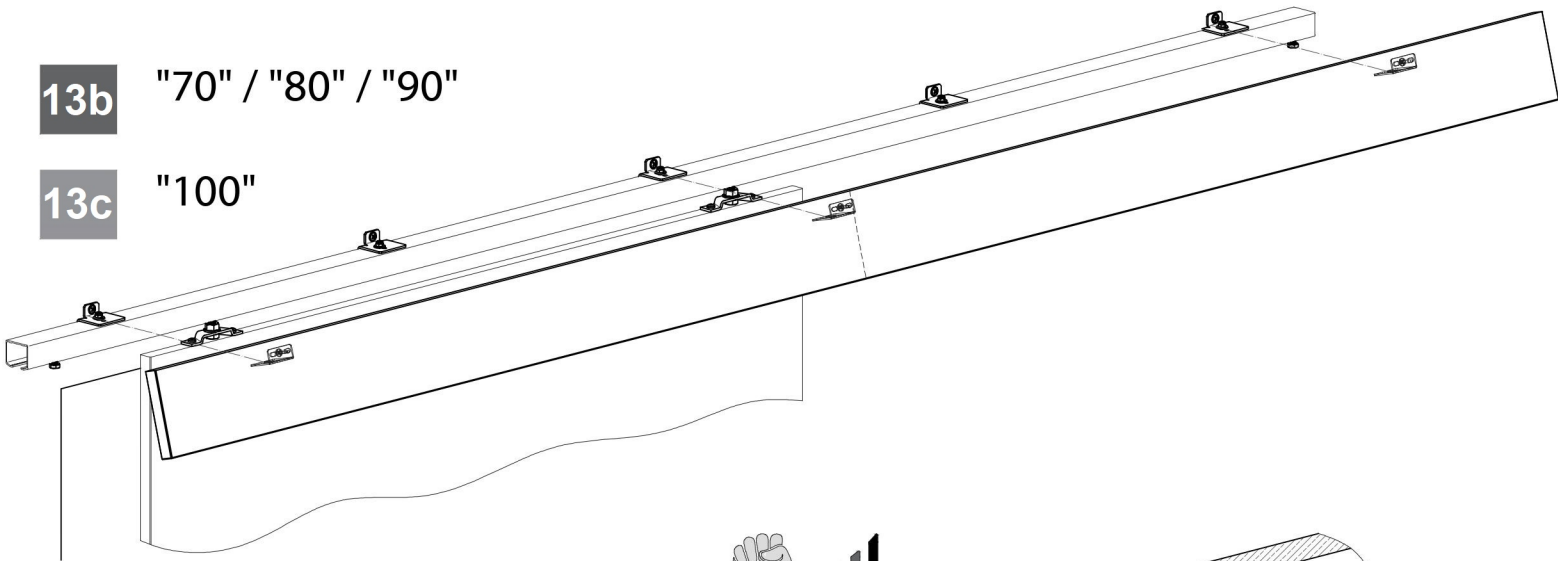


**13a** "60"

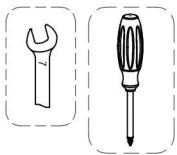


**13b** "70" / "80" / "90"

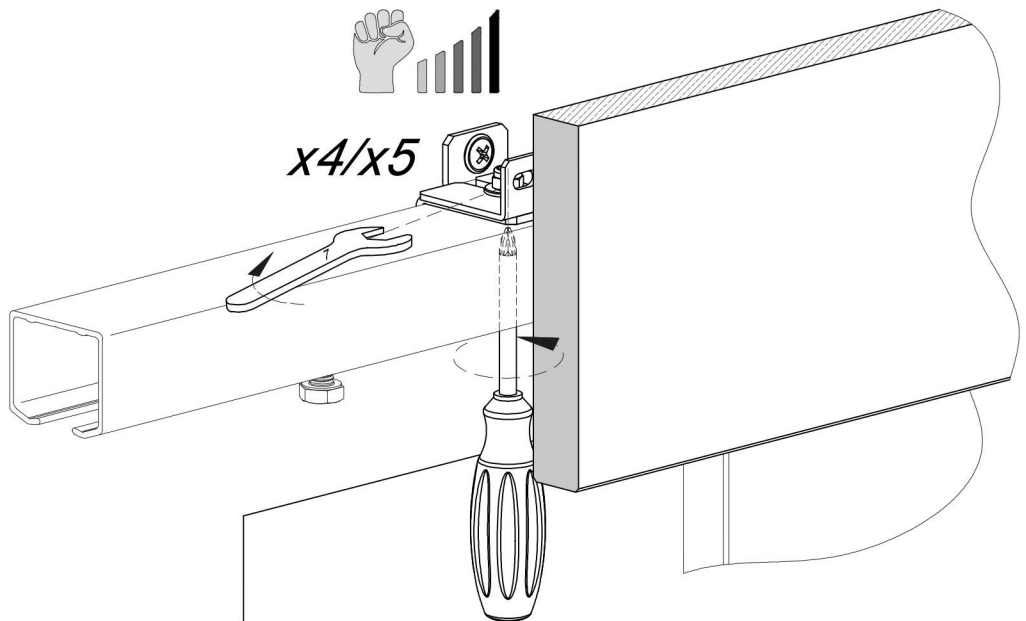
**13c** "100"

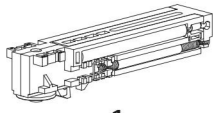


**14**



**x4/x5**





x1



x1



x2



#2

x1



#2.5

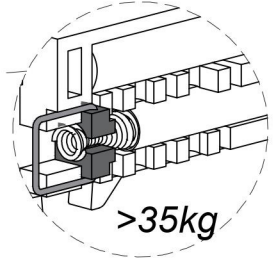
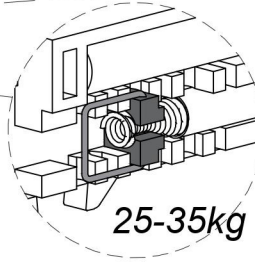
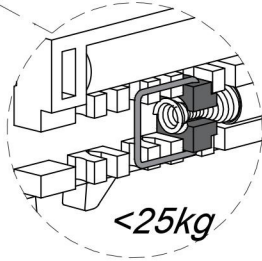
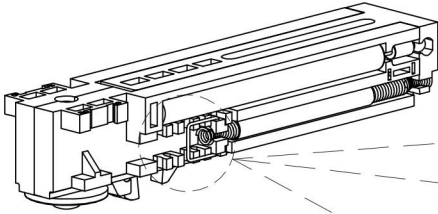
x1



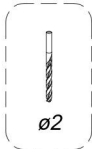
#4

x1

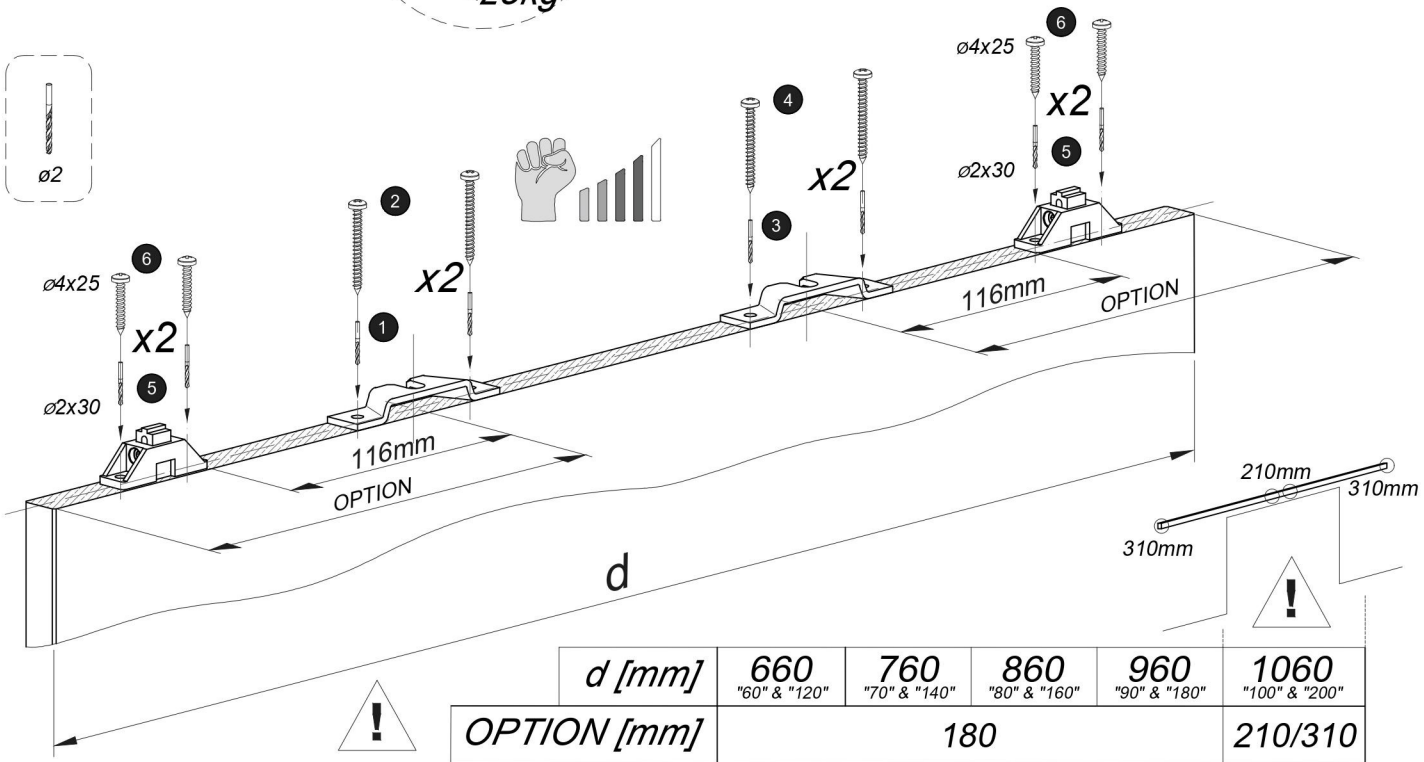
1



2



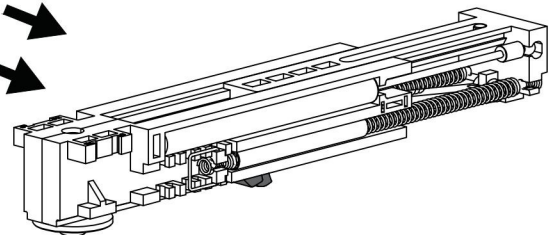
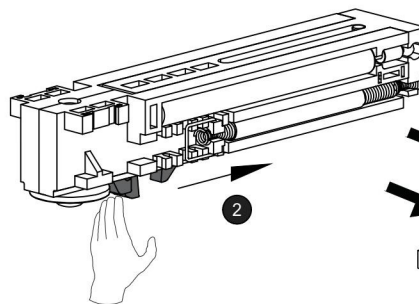
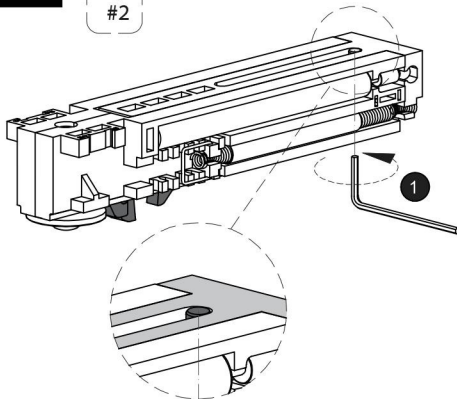
ø2



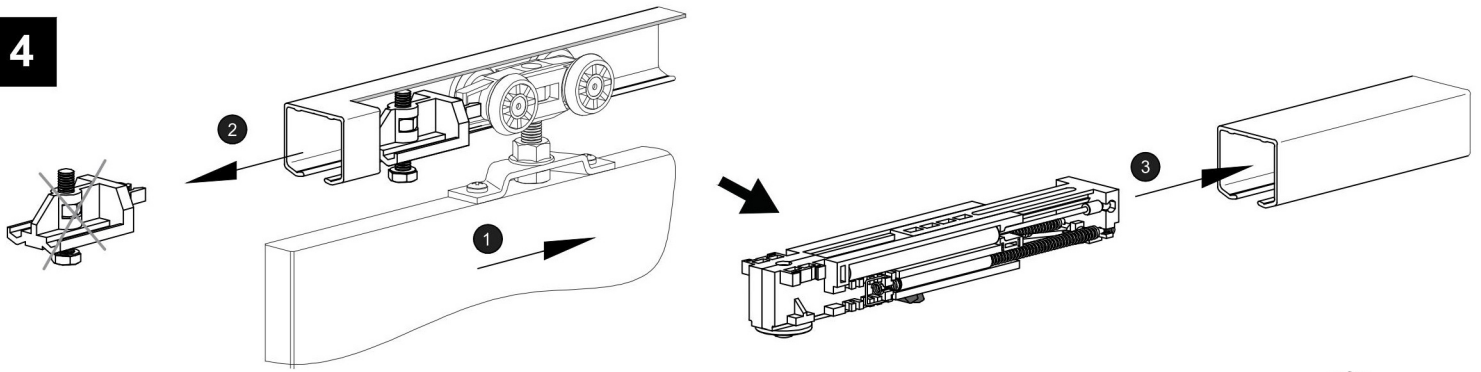
3



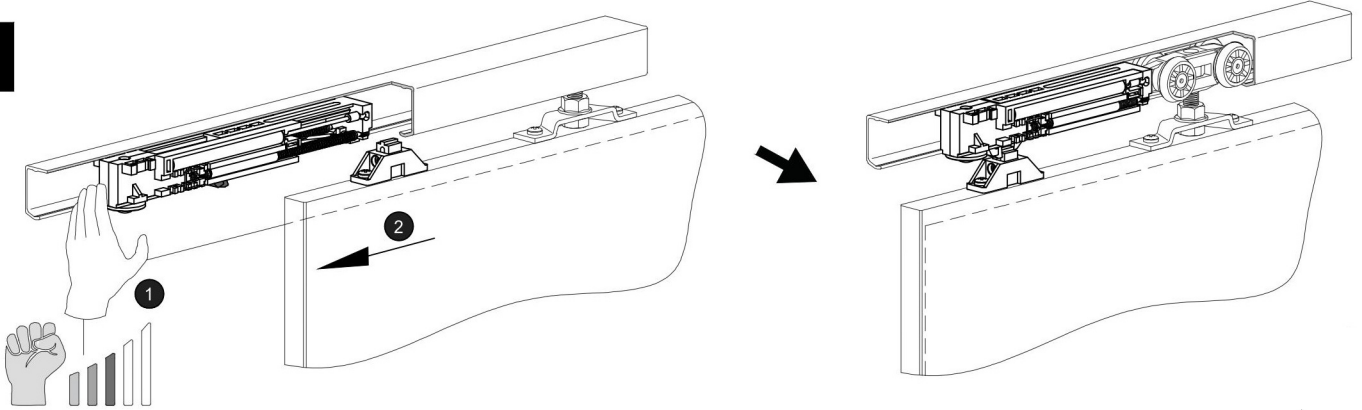
#2



4

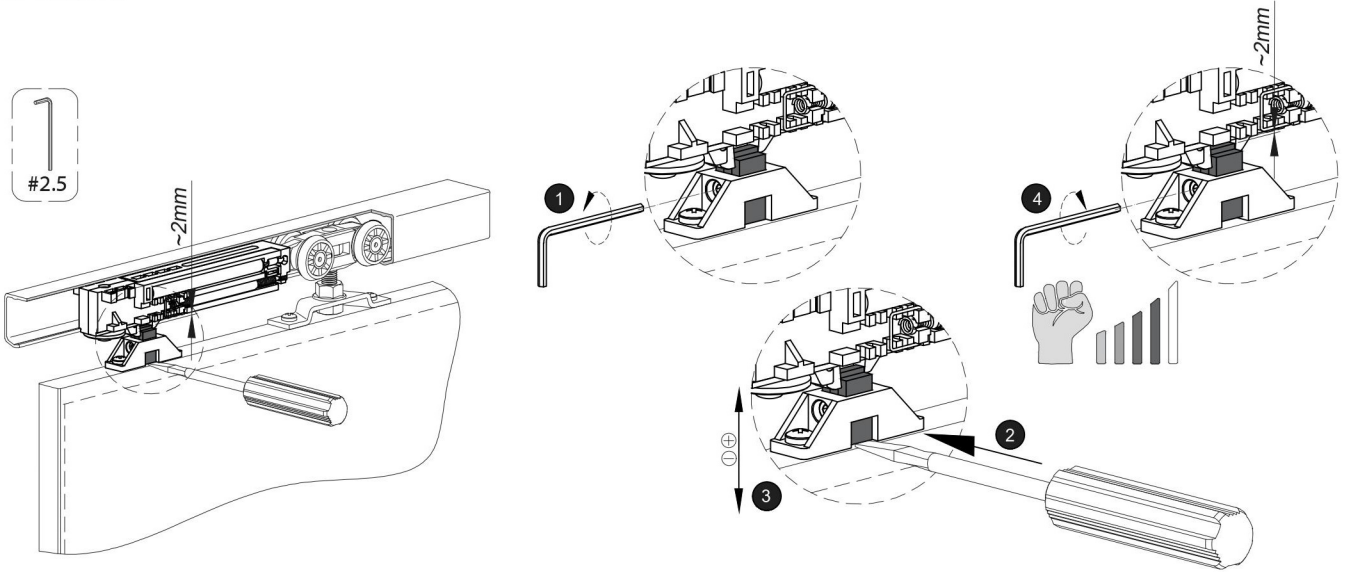


5



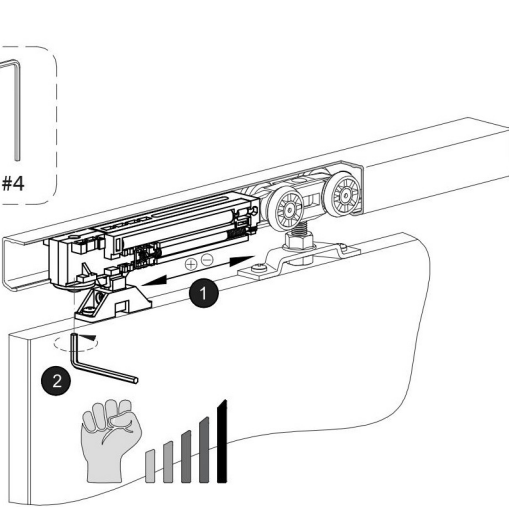
7

#2.5



8

#4



9

#2

