










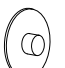










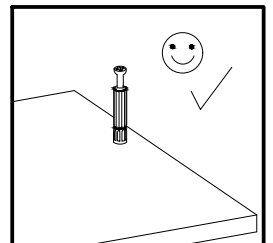
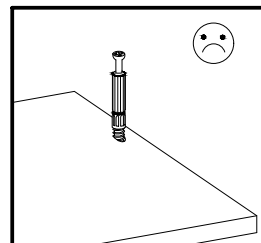
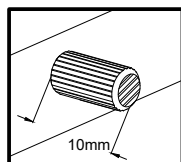
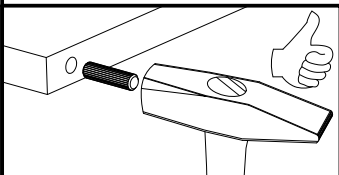
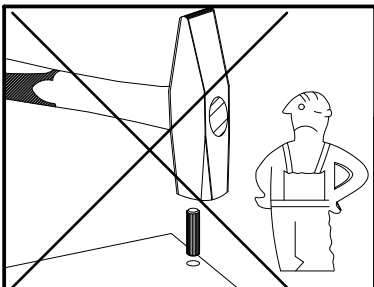
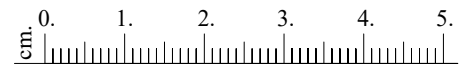
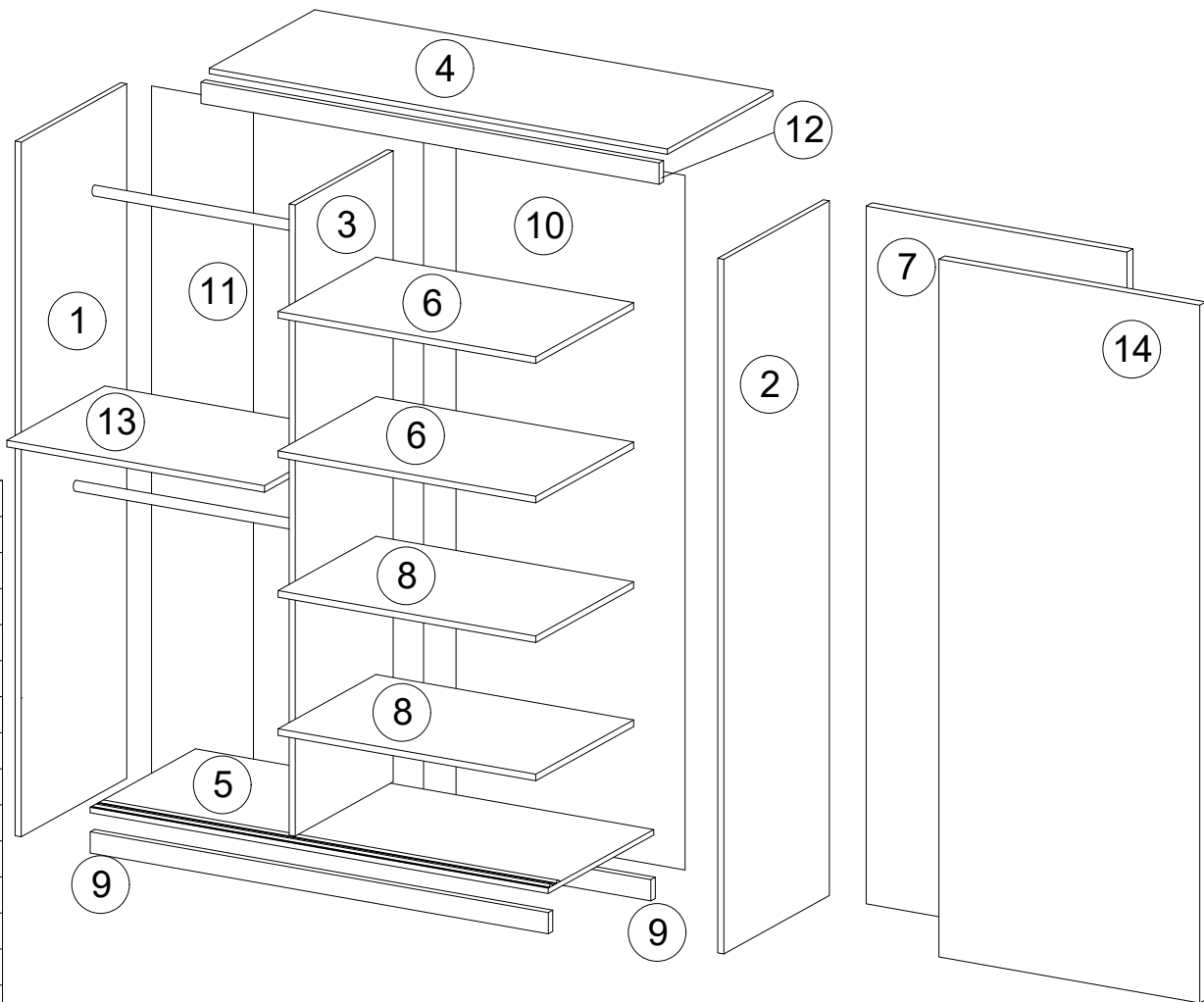
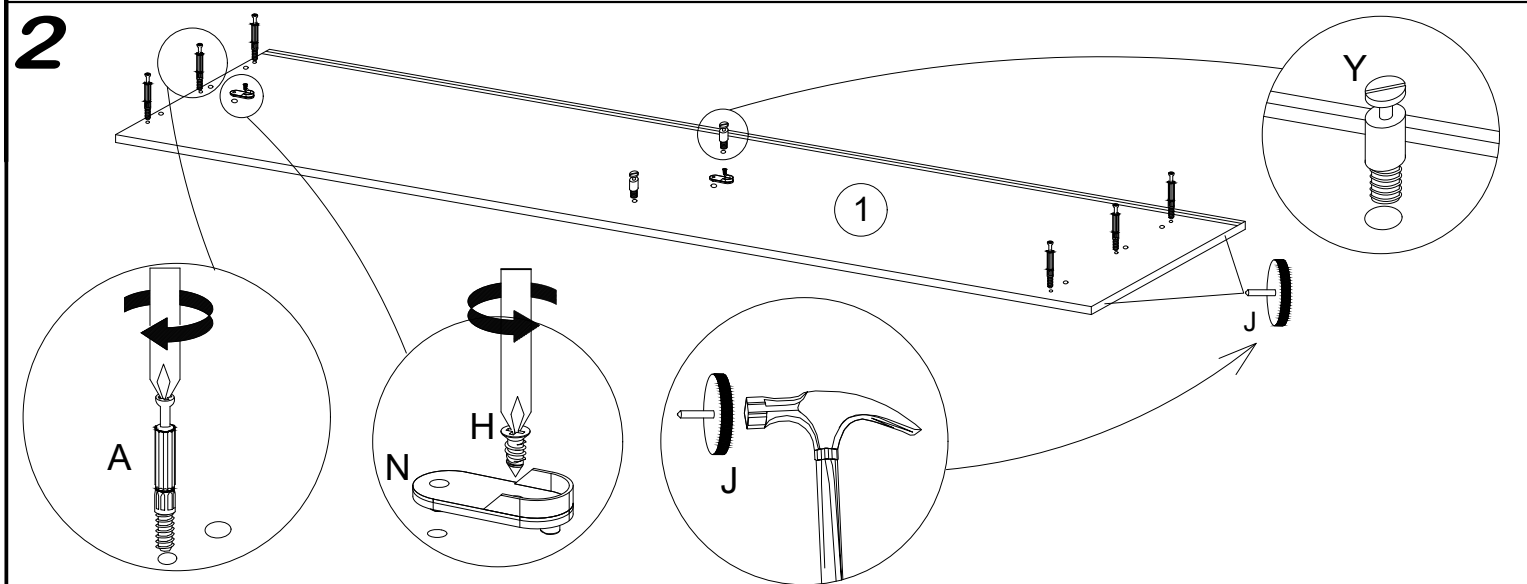
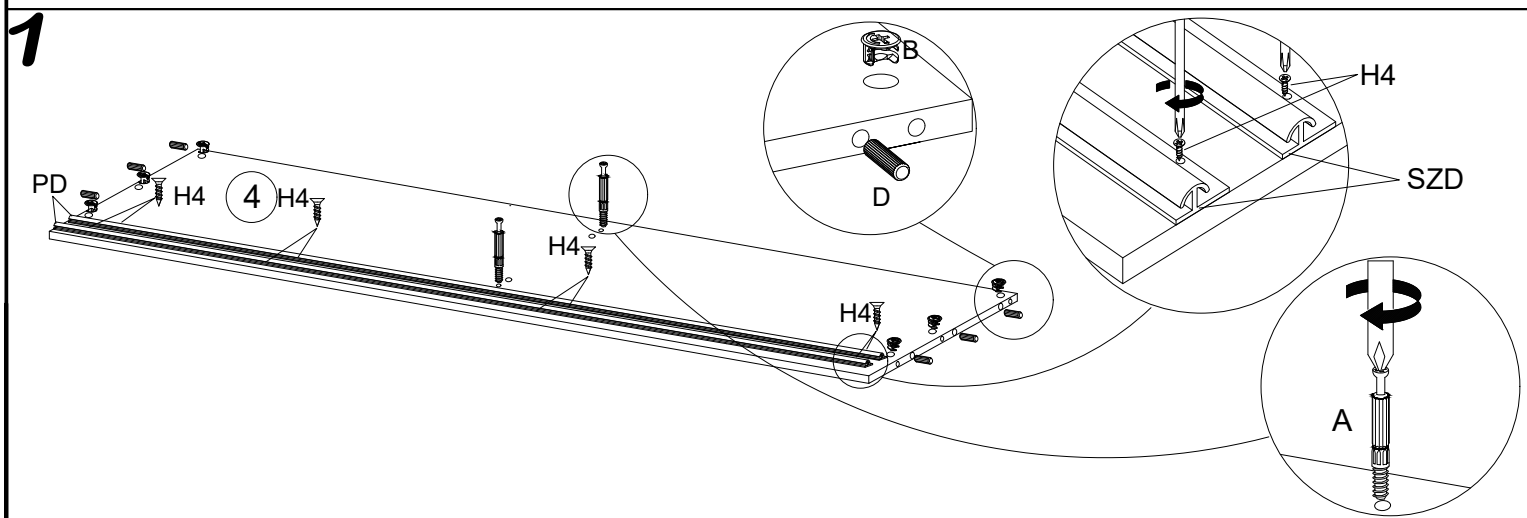


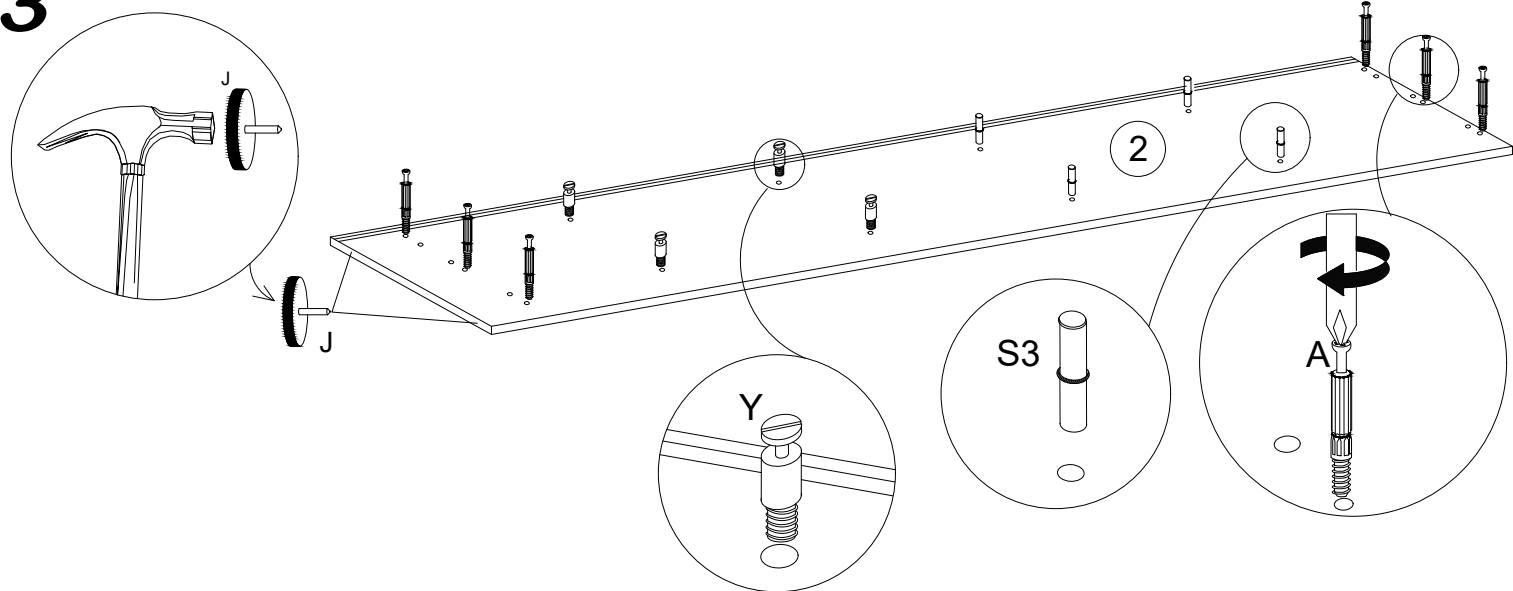
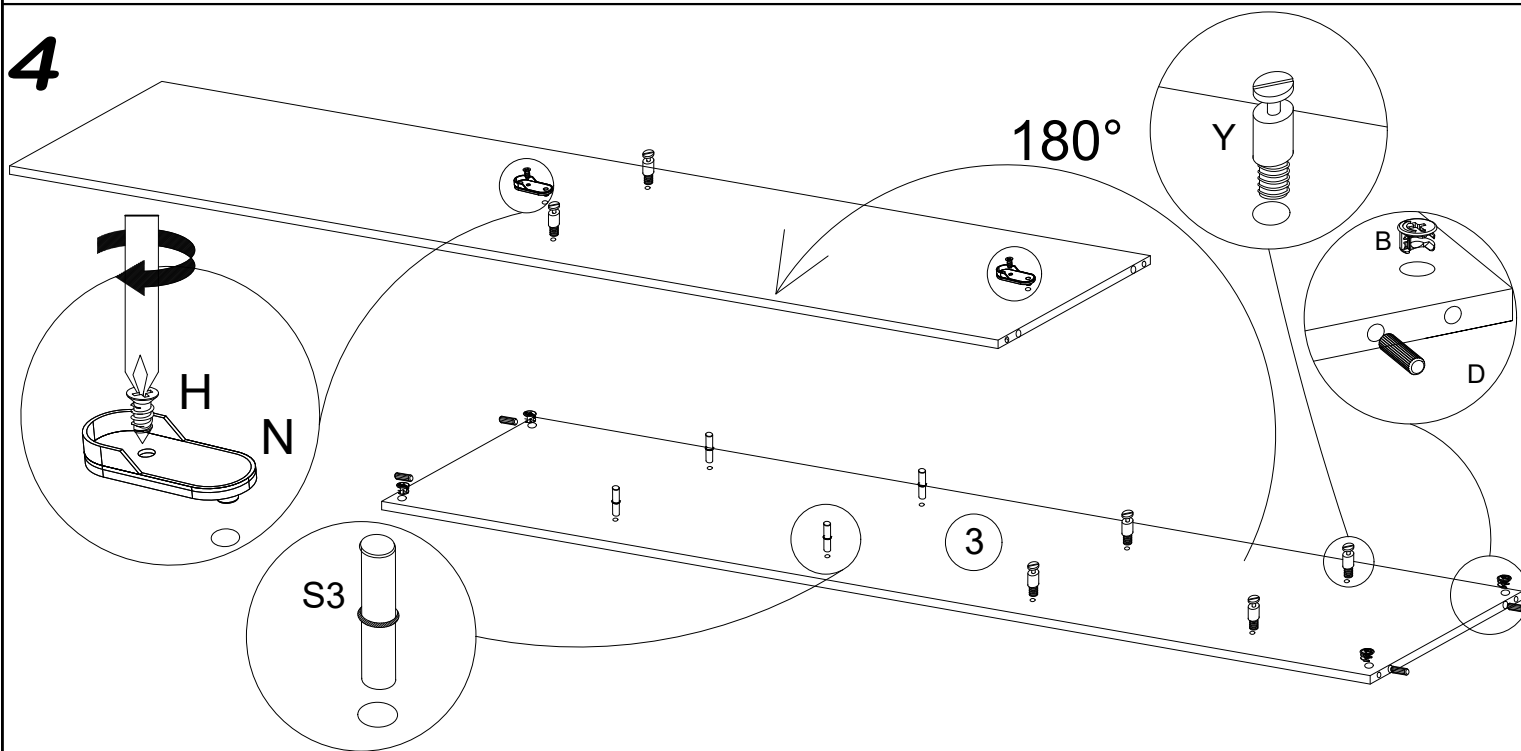
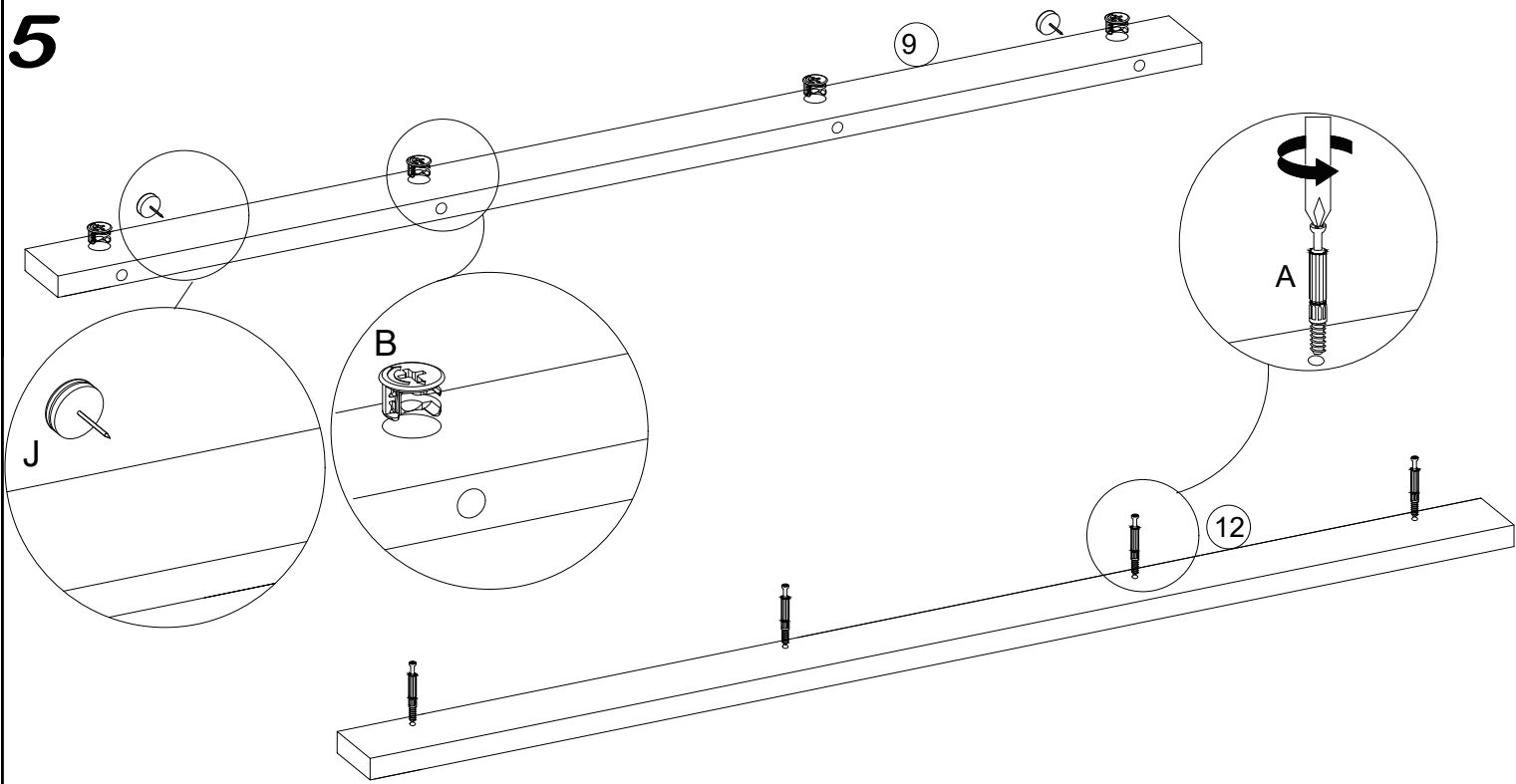
8.0x35  D	4.0x25  G	 Y	 A	 B	3.5x16  H	 V	 N	 K2	 K1	 S3
16	4	12	28	28	24	12	4	4	4	8
 X	 F	 S	 S1	 I	L-465  V1	L-1850  L	6.3x13  Q	 J	 PD	3.0x13  H4
20	2	19	40	30	2	1	8	8	4	16



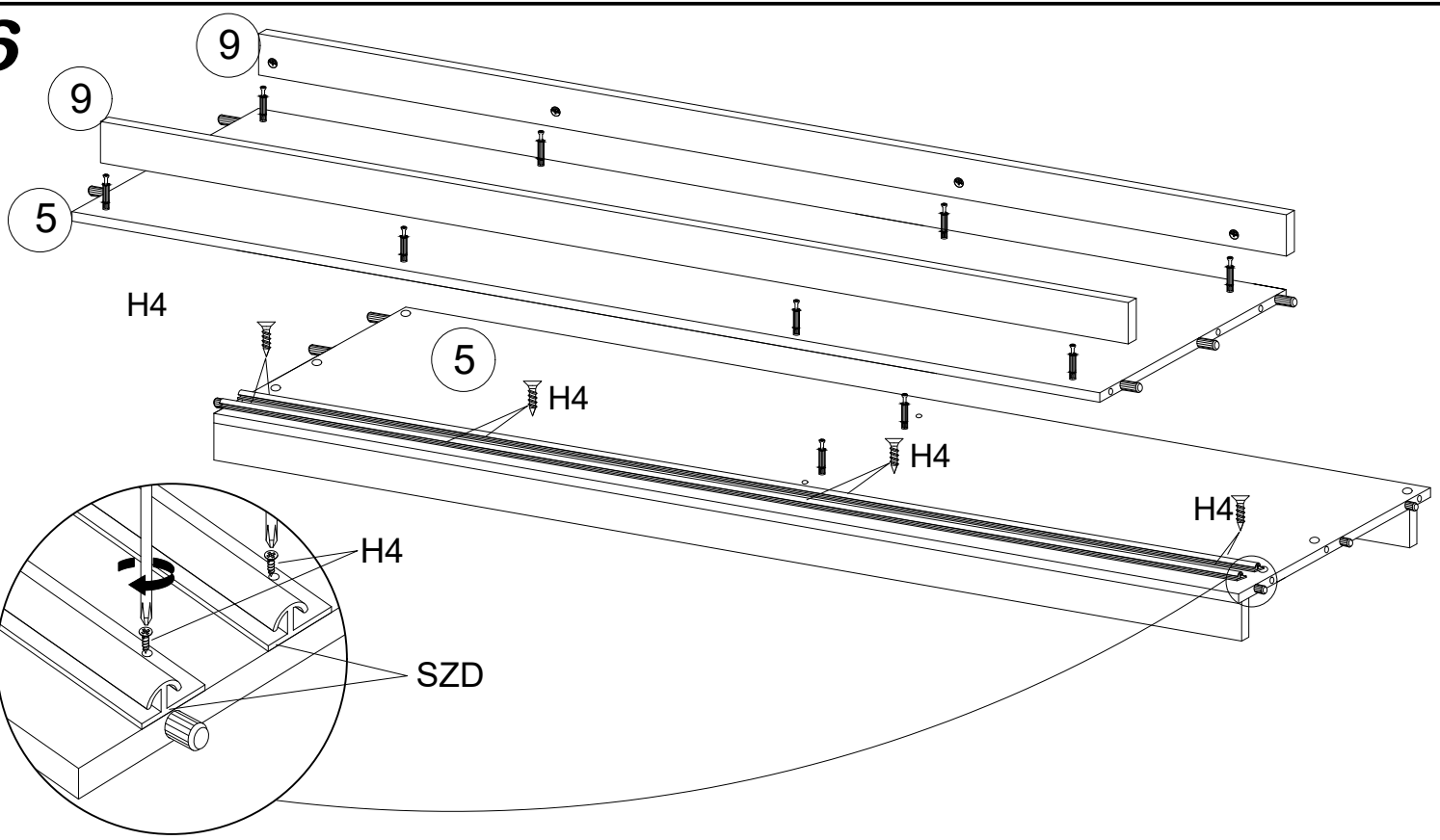


No.	Pcs.	L	W	D
1.	1	2000	620	16
2.	1	2000	620	16
3.	1	1888	480	16
4.	1	1468	582	16
5.	1	1468	600	16
6.	2	475	480	16
7.	1	1873	750	16
8.	2	475	480	16
9.	2	1468	80	16
10.	1	1918	492	3
11.	2	1918	496	3
12.	1	1468	70	16
13.	1	976	480	16
14.	1	1873	750	16

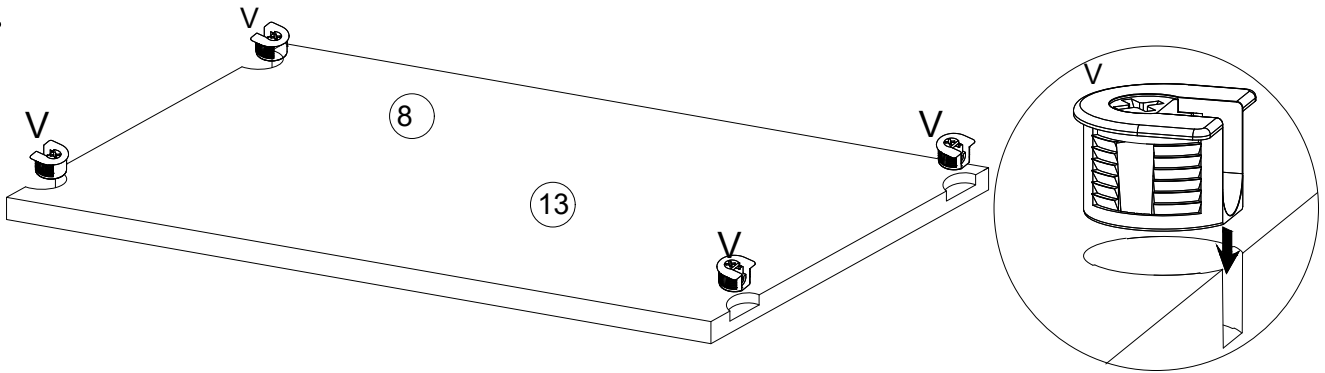


3**4****5**

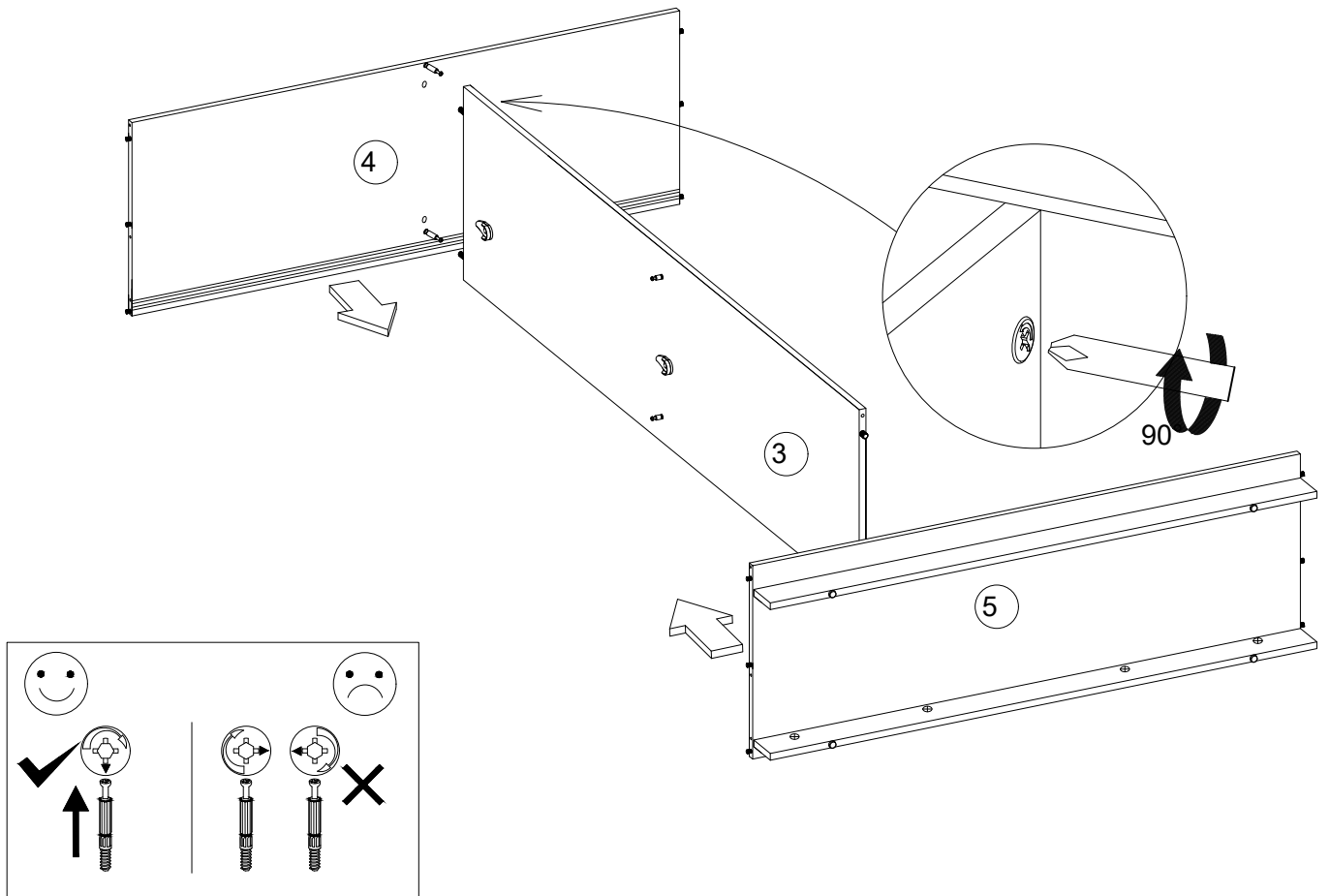
6



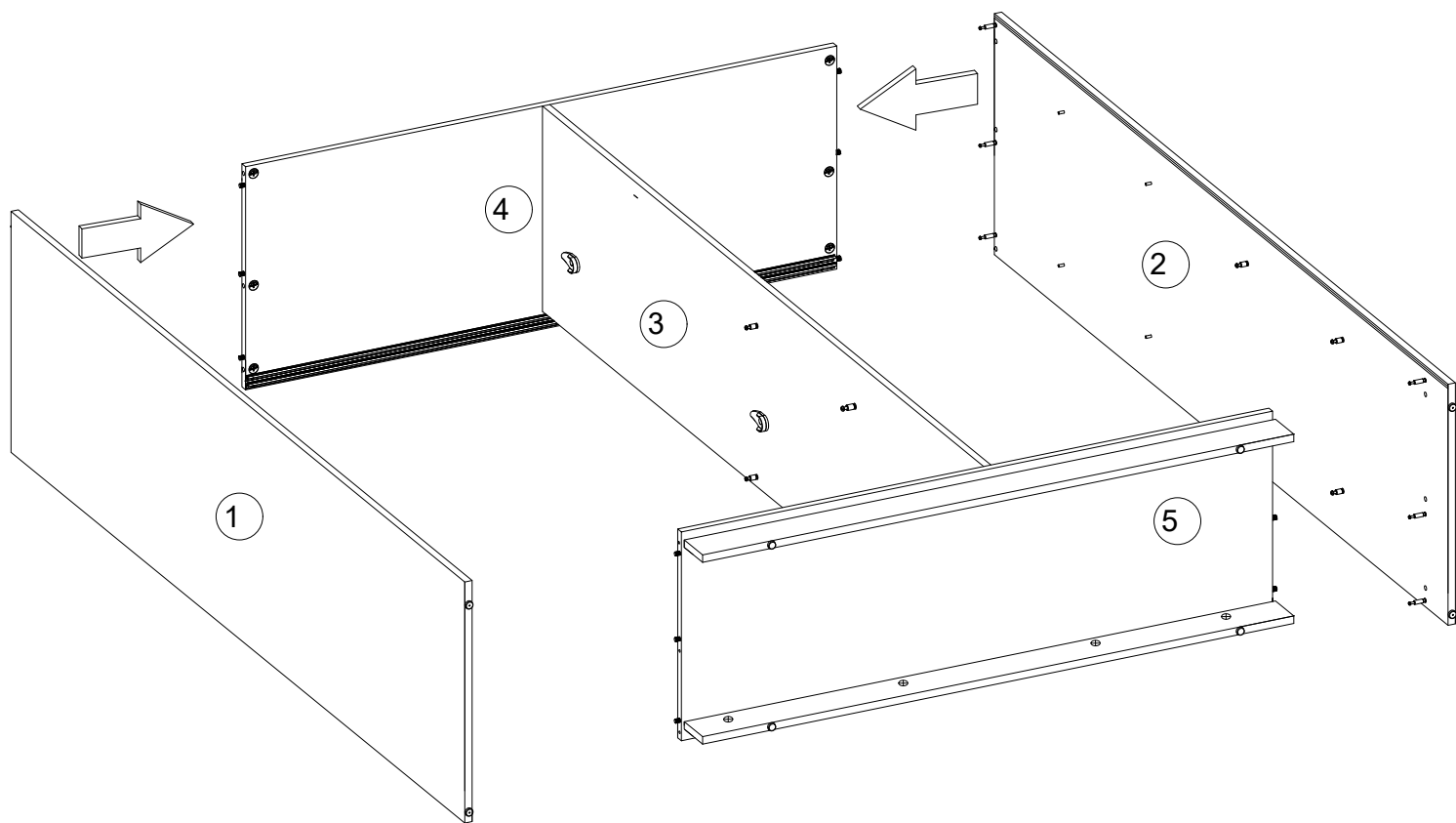
7



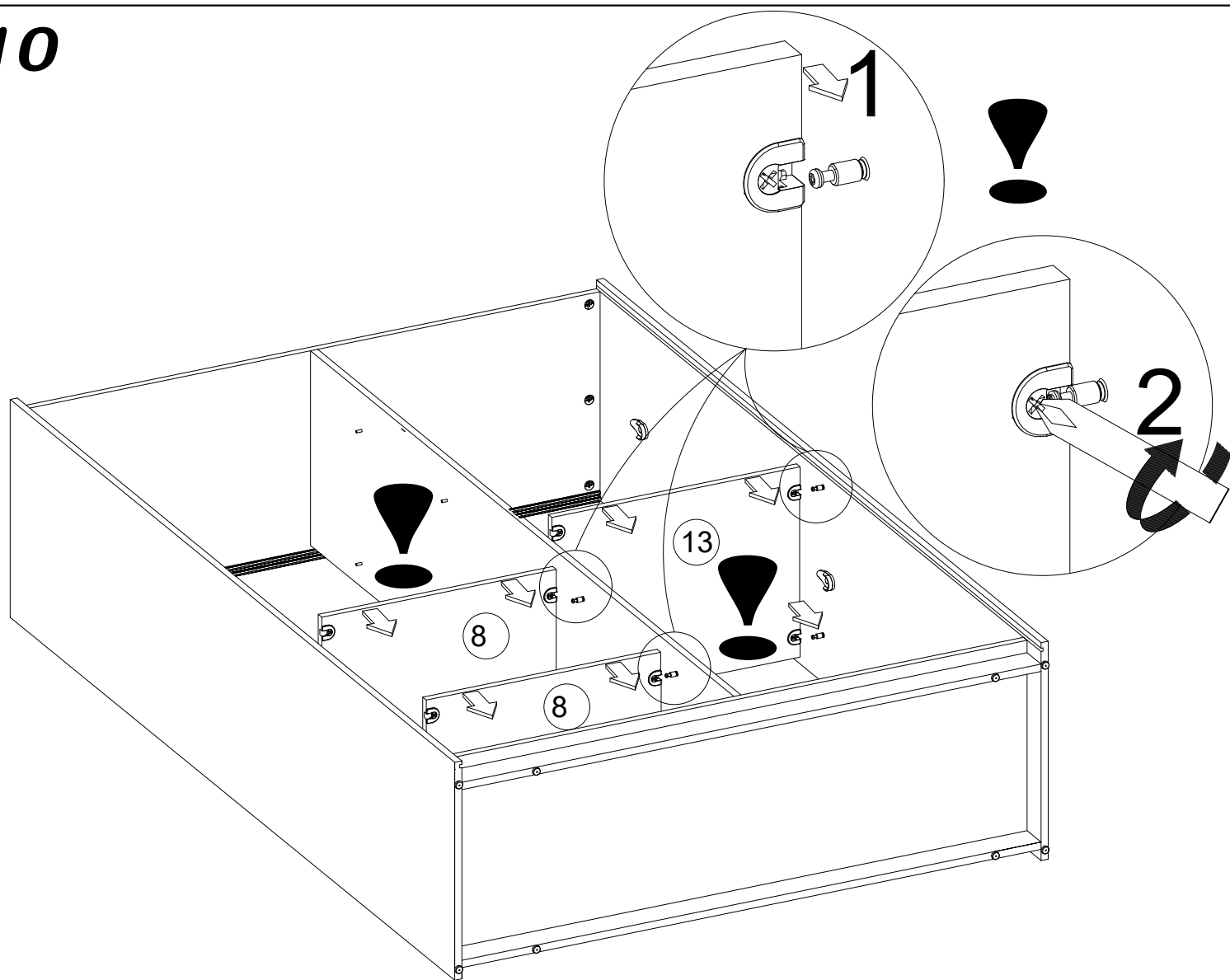
8



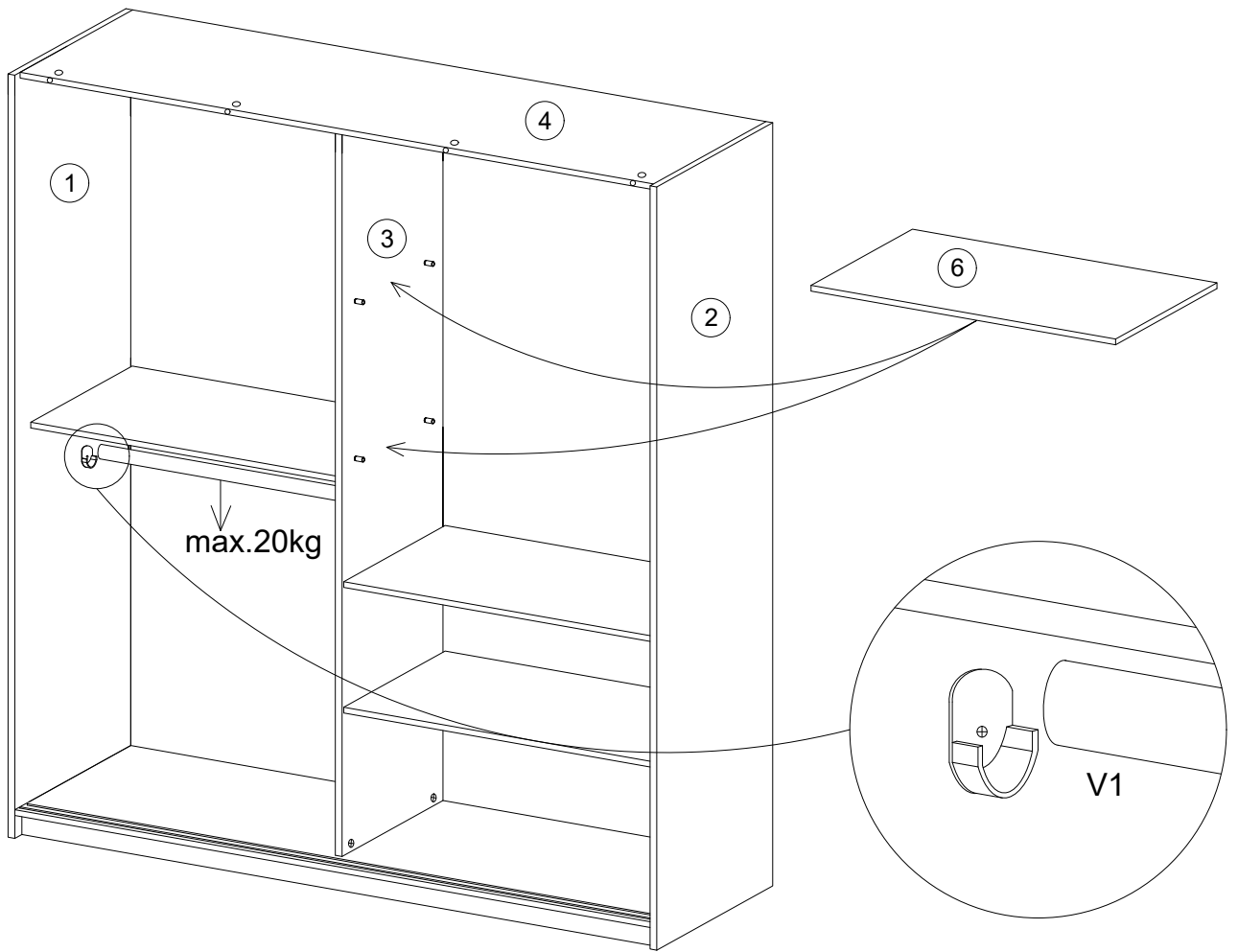
9



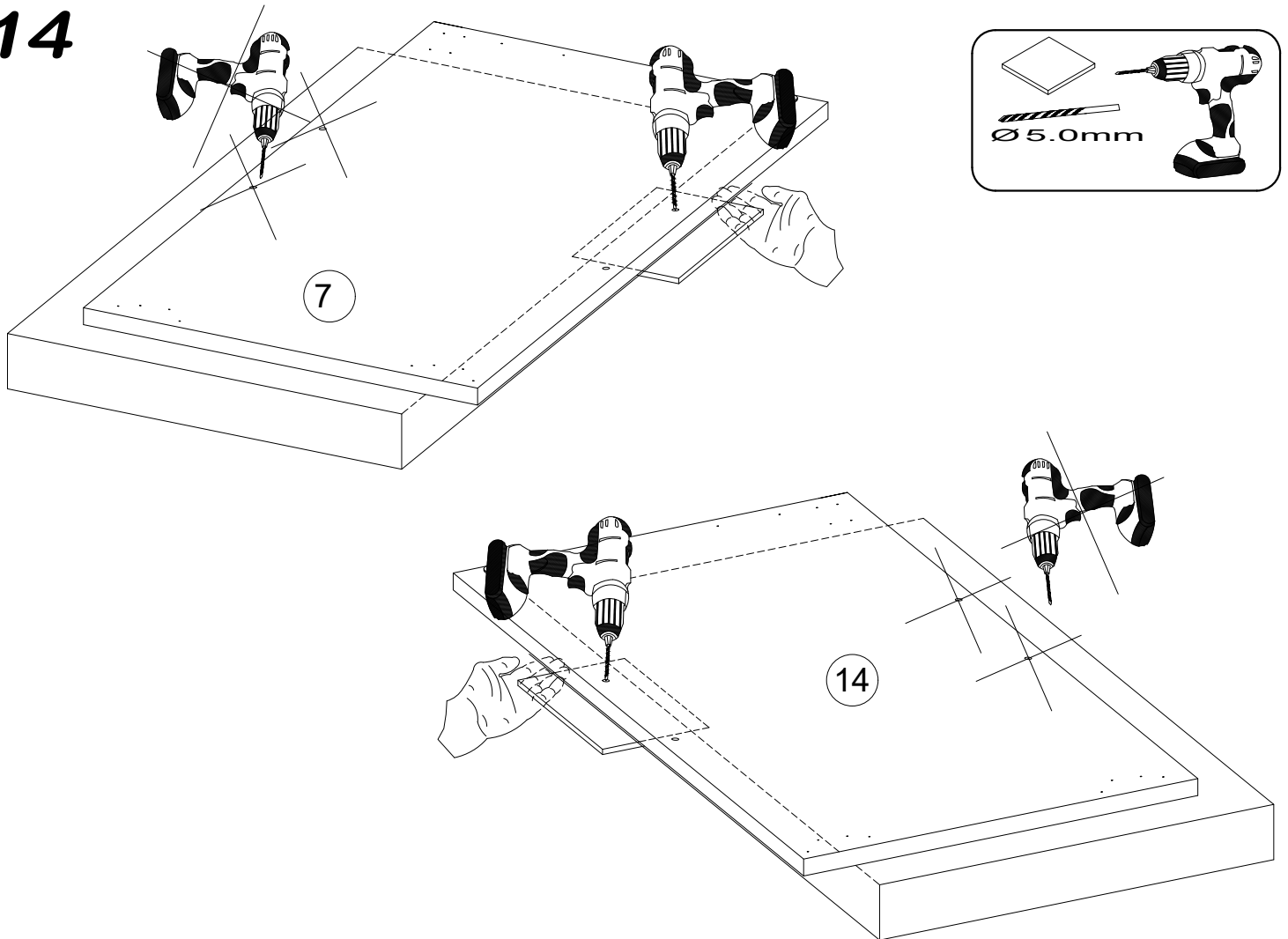
10



13

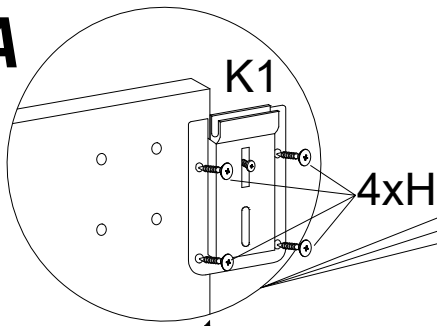


14

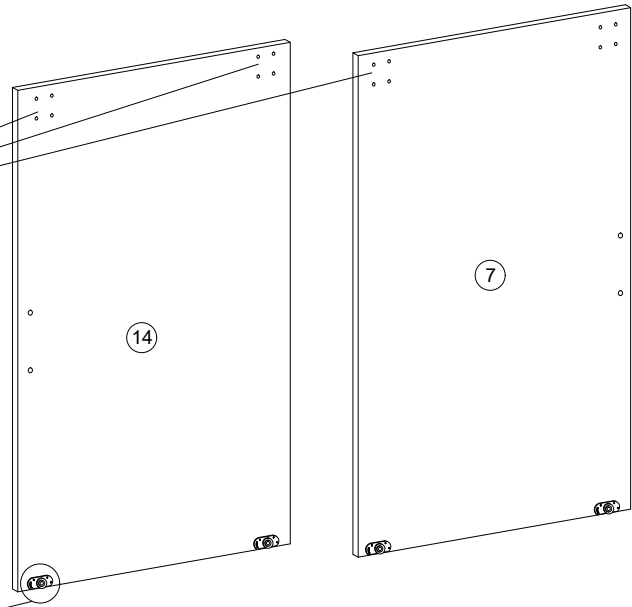
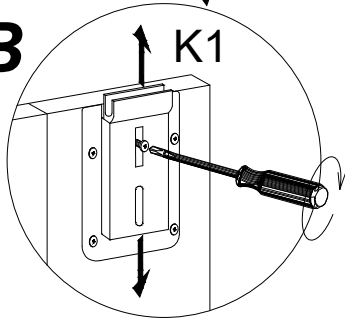


15

A

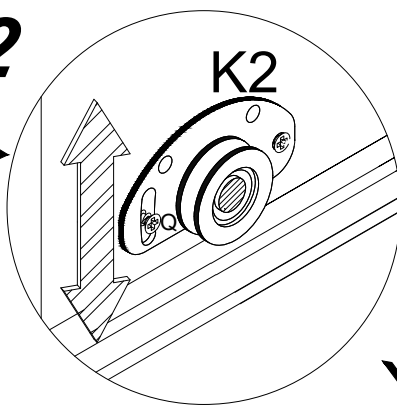
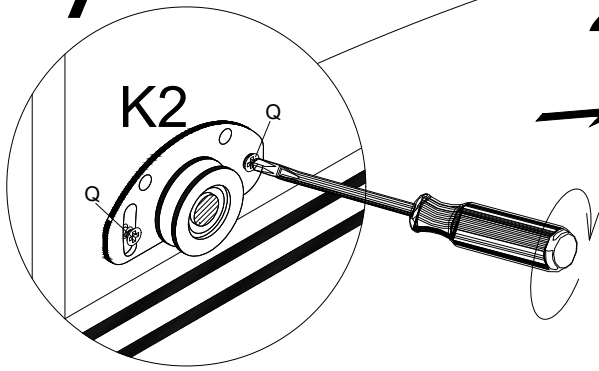


B

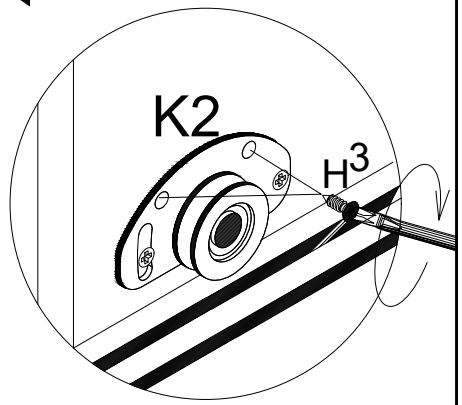
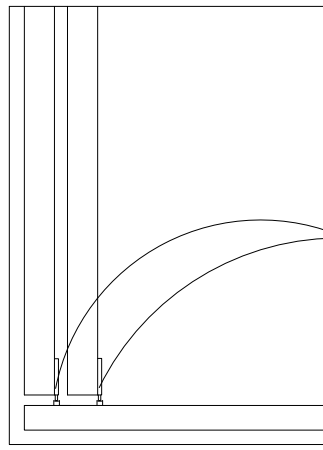


1

2



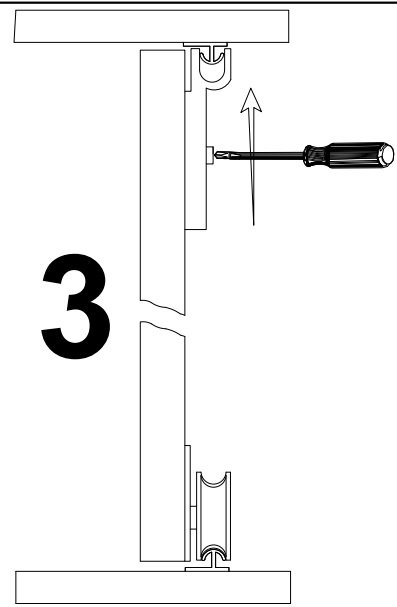
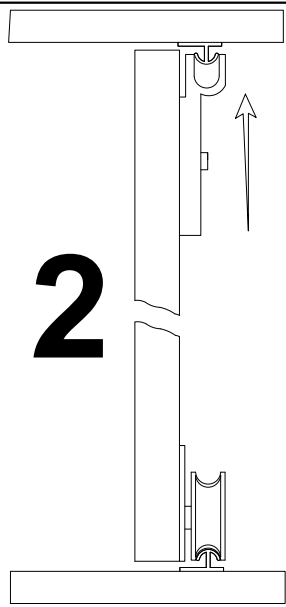
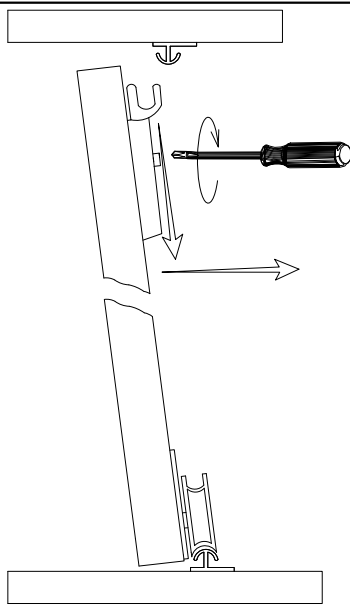
3



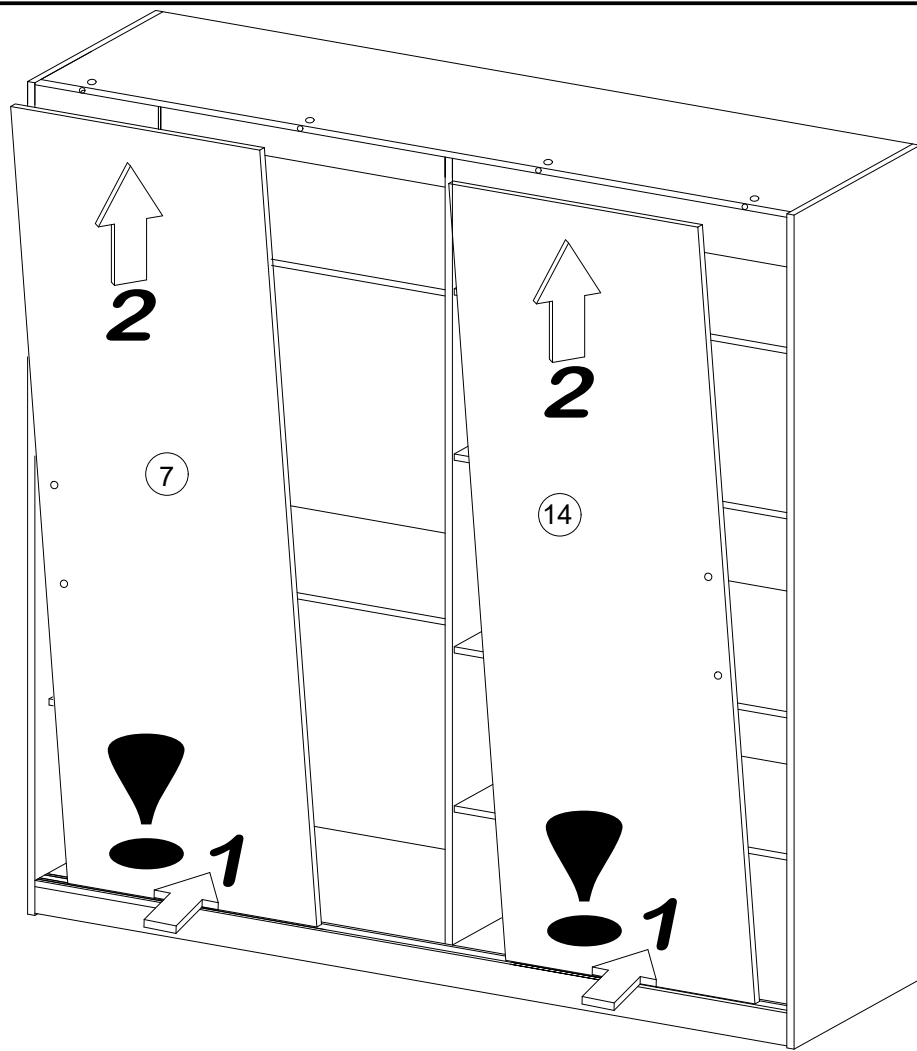
1

2

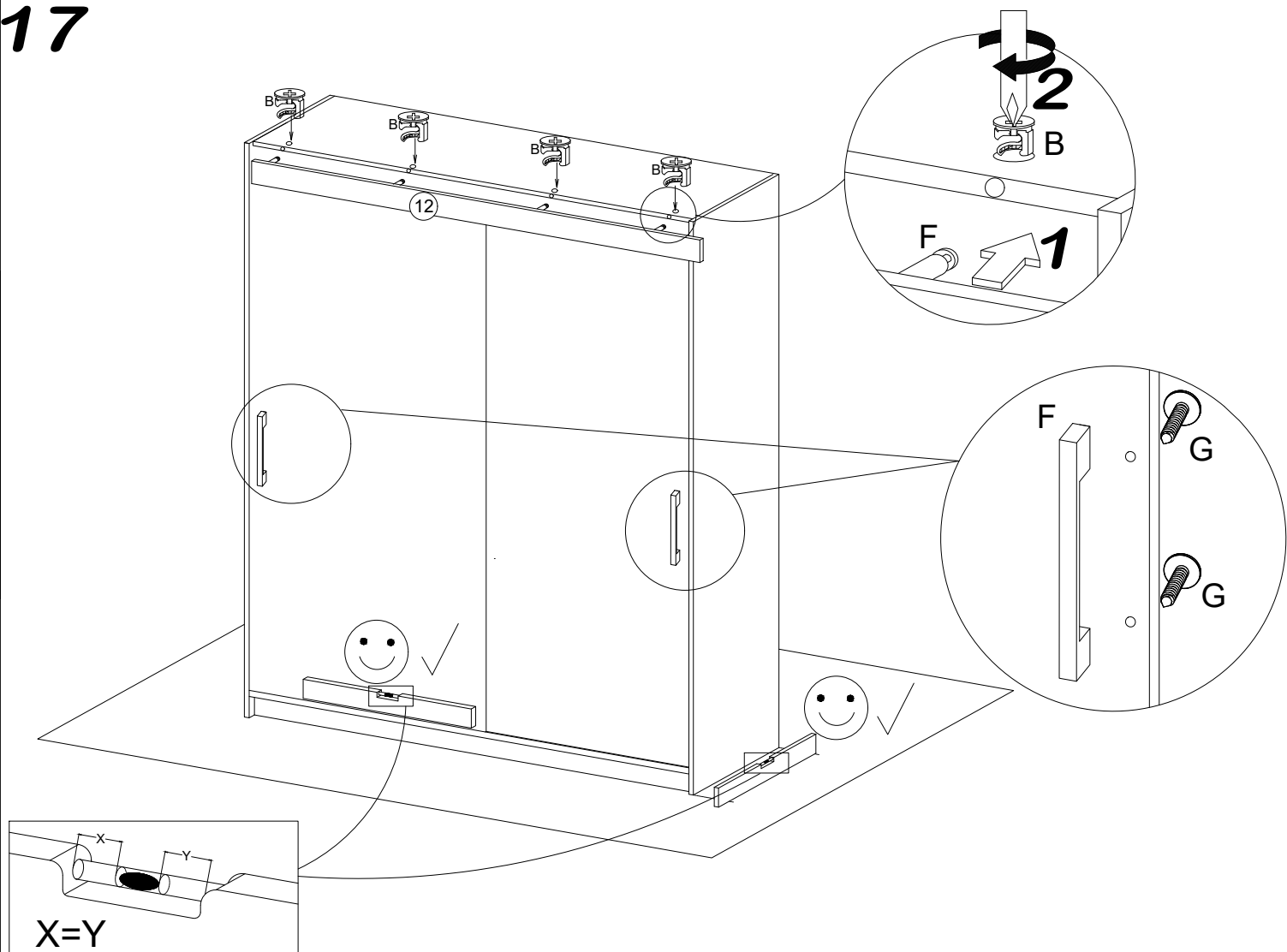
3



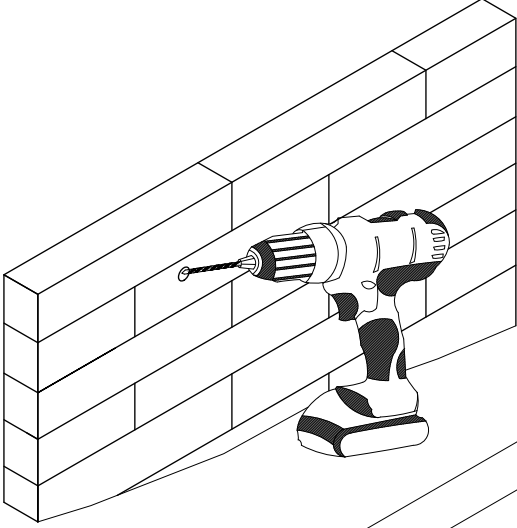
16





17

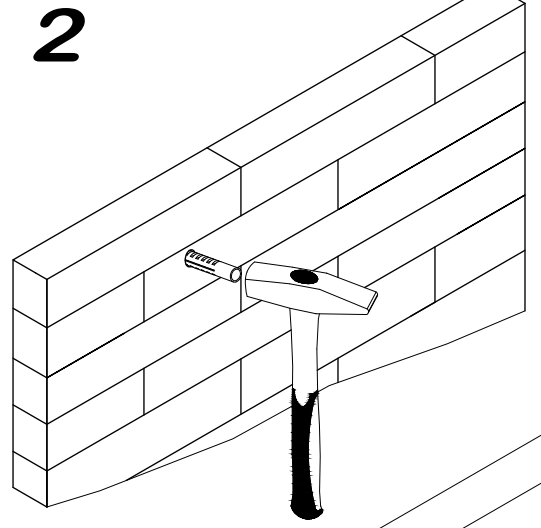


1

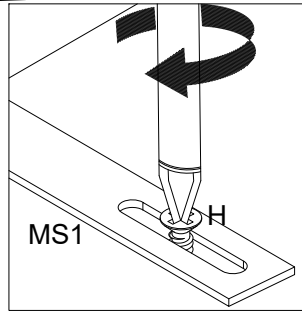
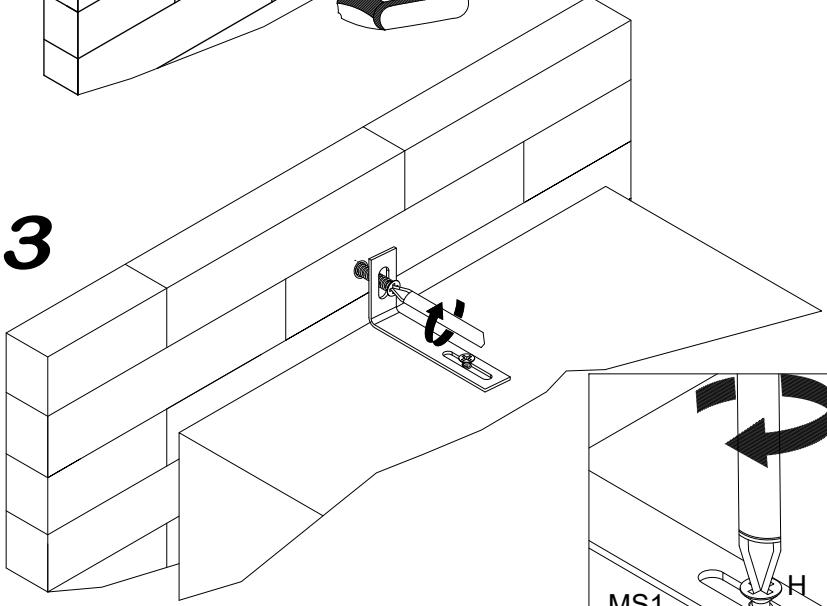


3.5x16	
	
H	MS1
1	1

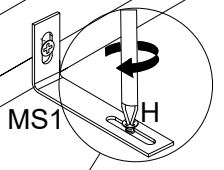
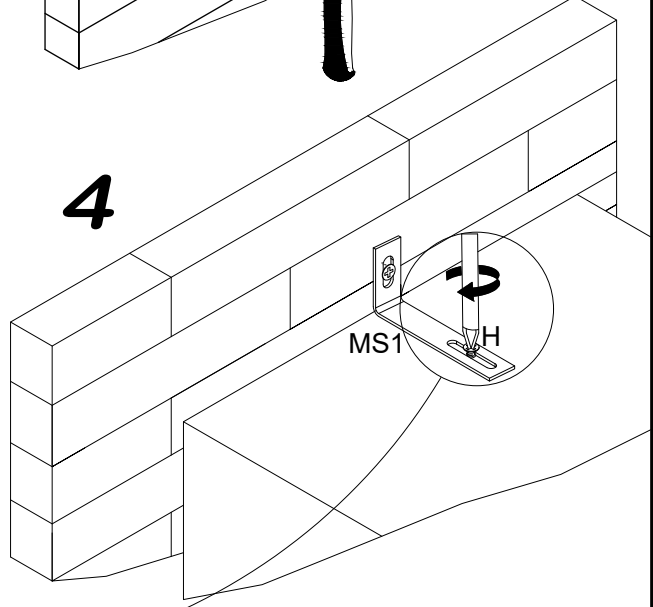
2

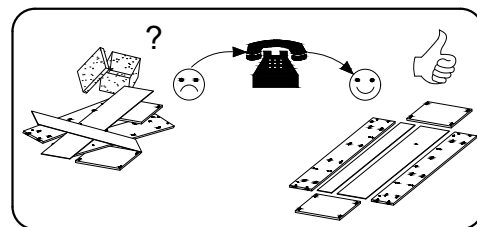
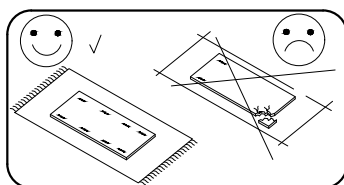
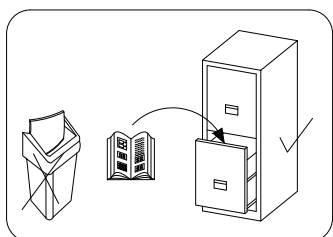
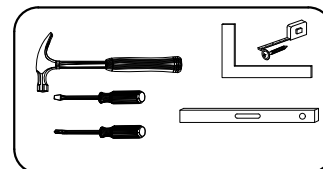
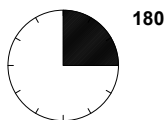
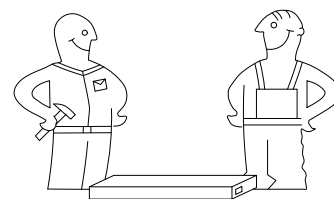













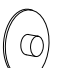



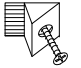
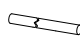





3

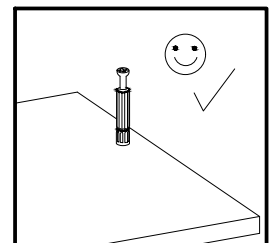
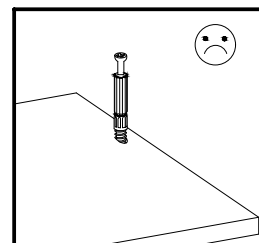
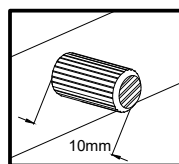
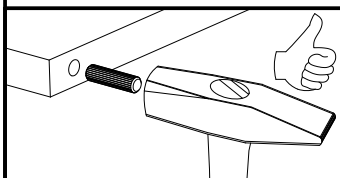
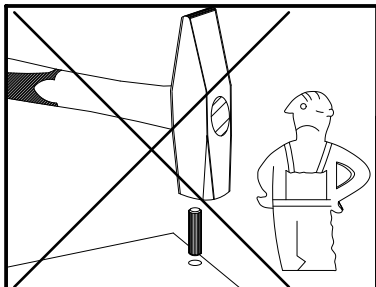


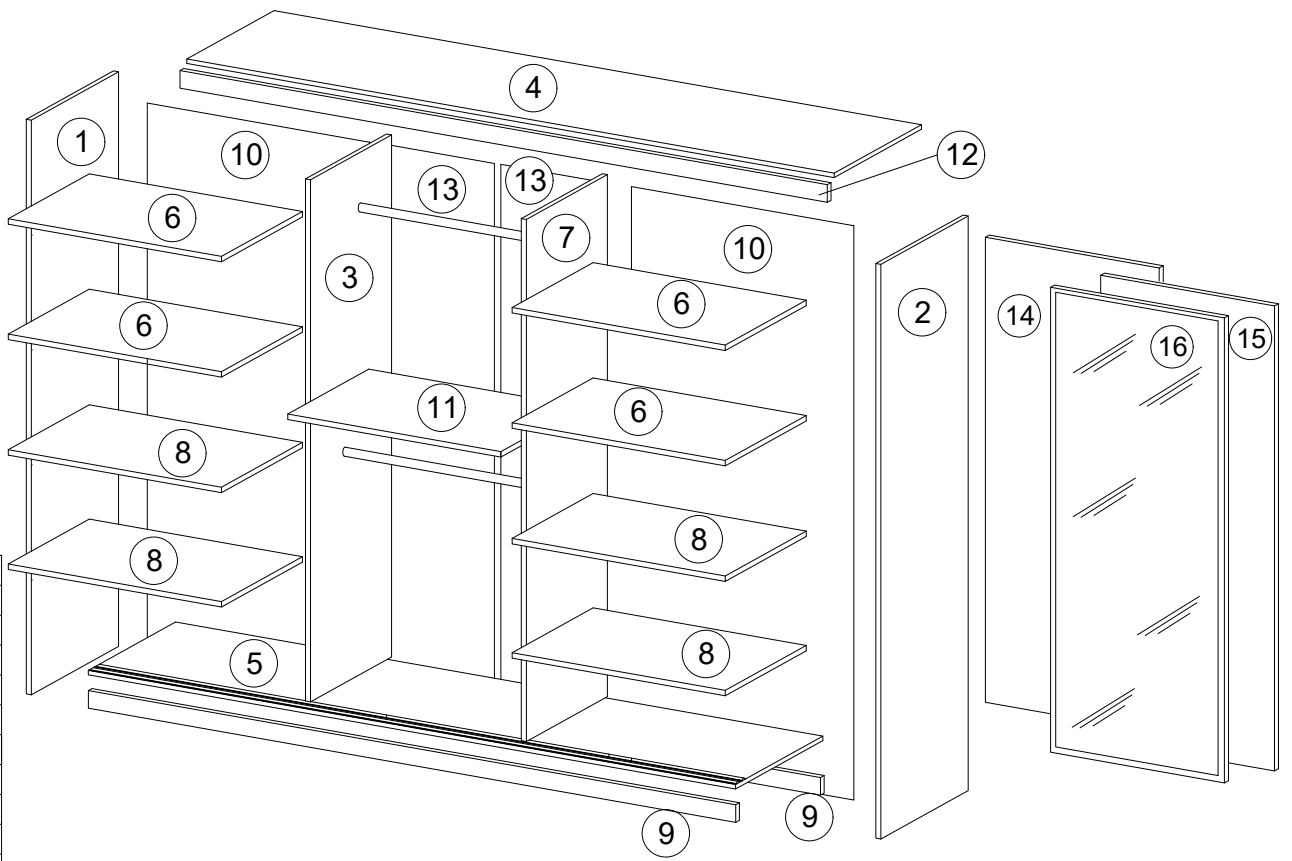
4



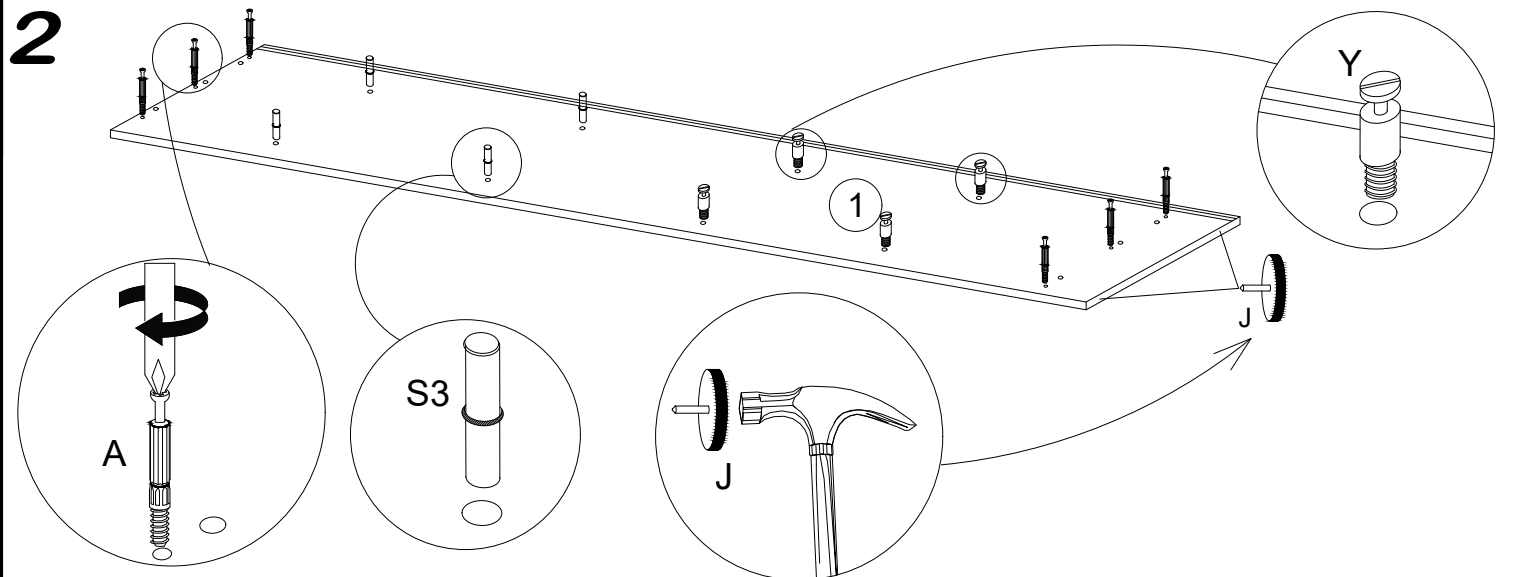
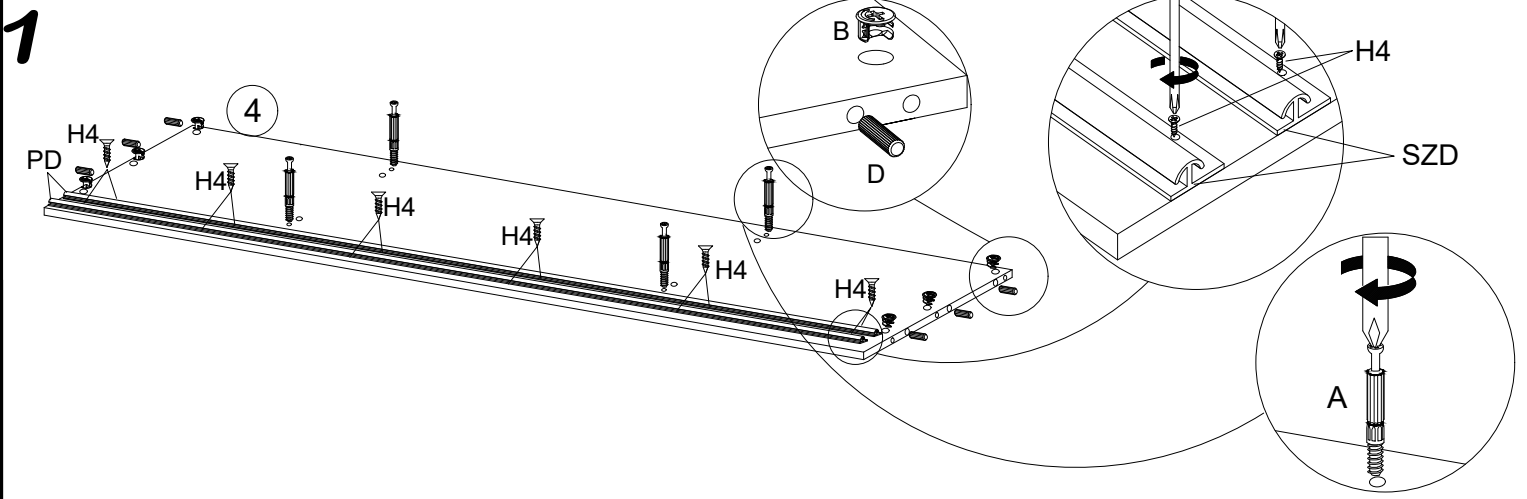


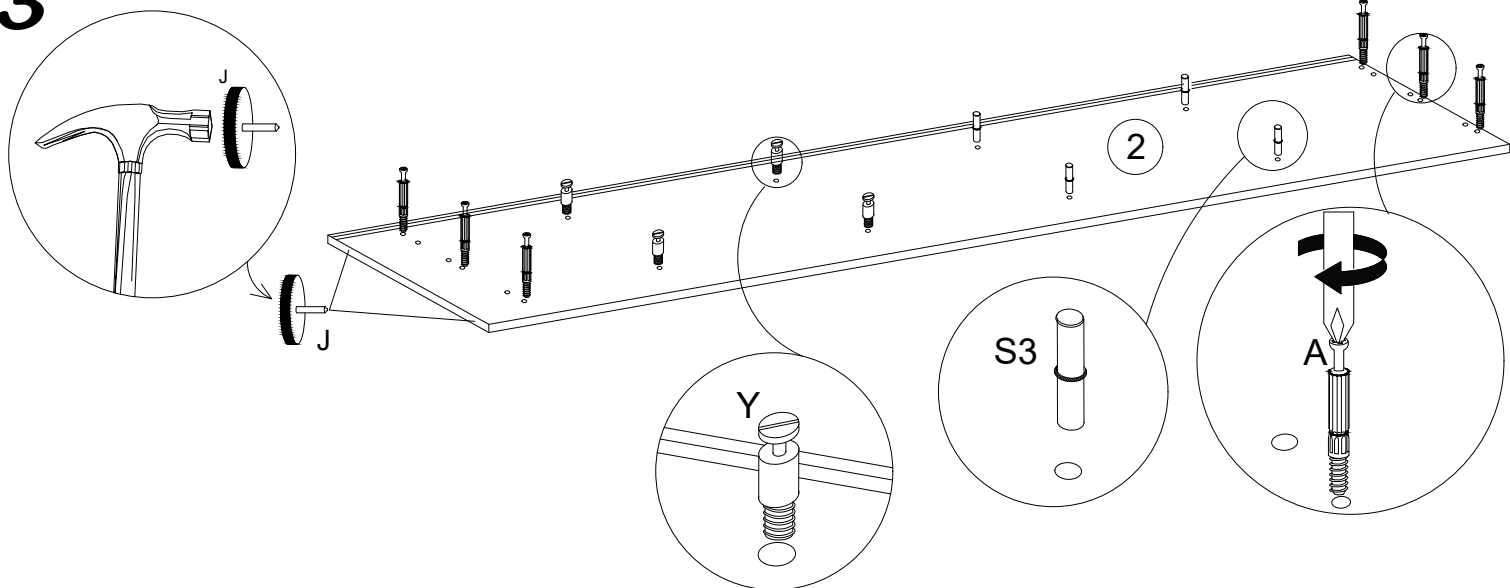
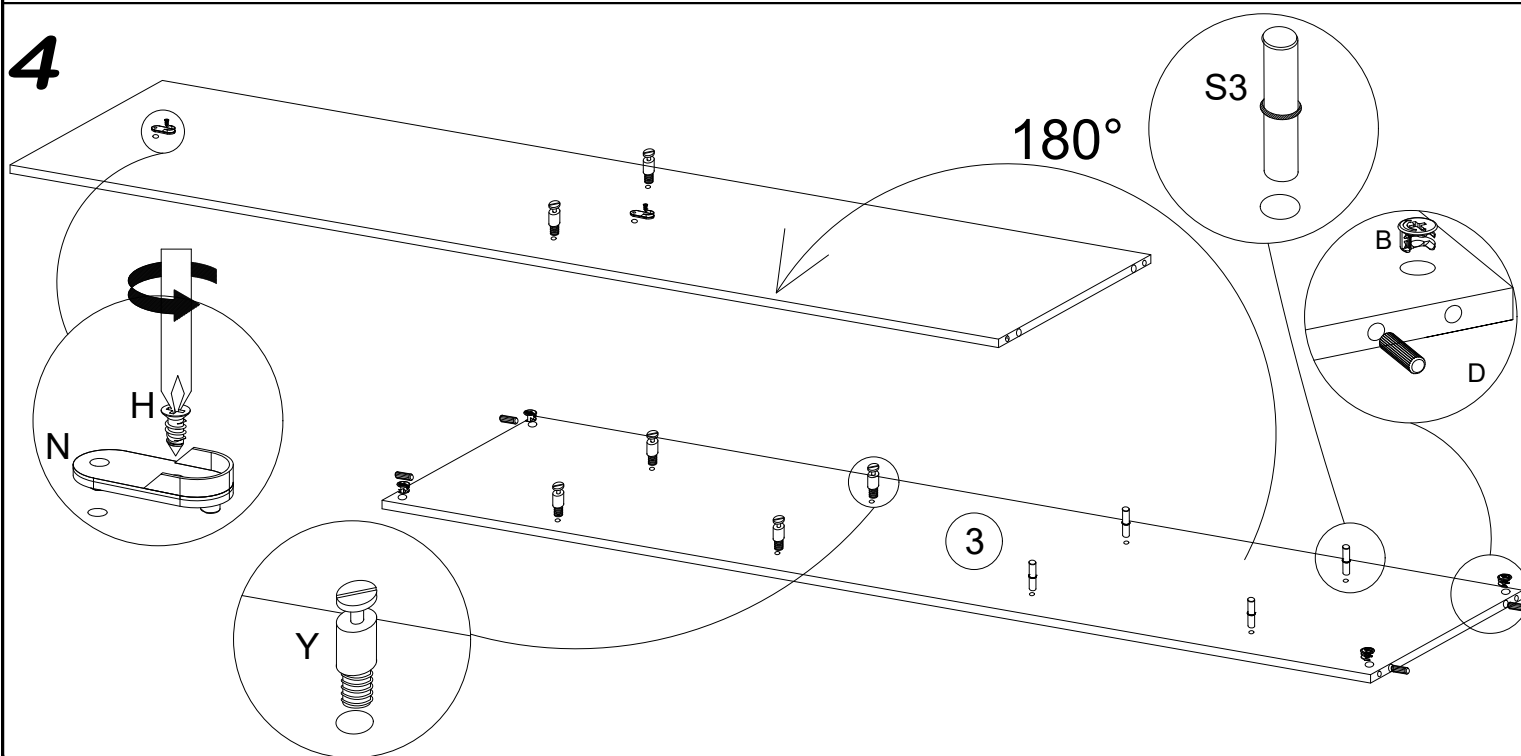
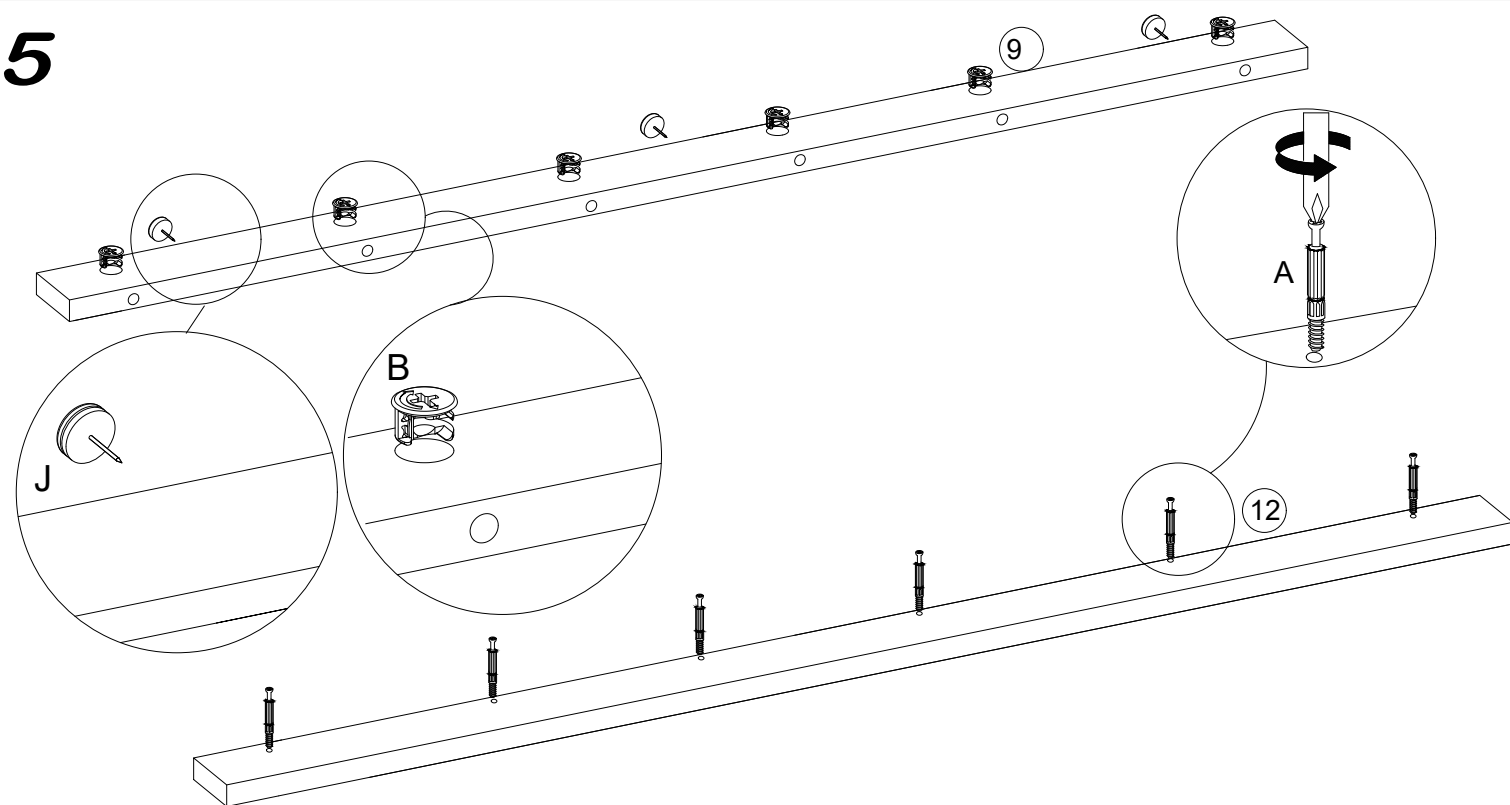
8.0x35  D	4.0x25  G	 Y	 A	 B	3.5x16  H	 V	 N	 K2	 K1	 S3
20	4	20	26	26	34	20	4	6	6	16
 X	 F	Ø-2.0  S	1.4x25  S1	 I	L-1090  V1	L-1850  L	6.3x13  Q	 J	 PD	3.0x13  H4
26	2	38	60	35	2	3	12	10	2	24



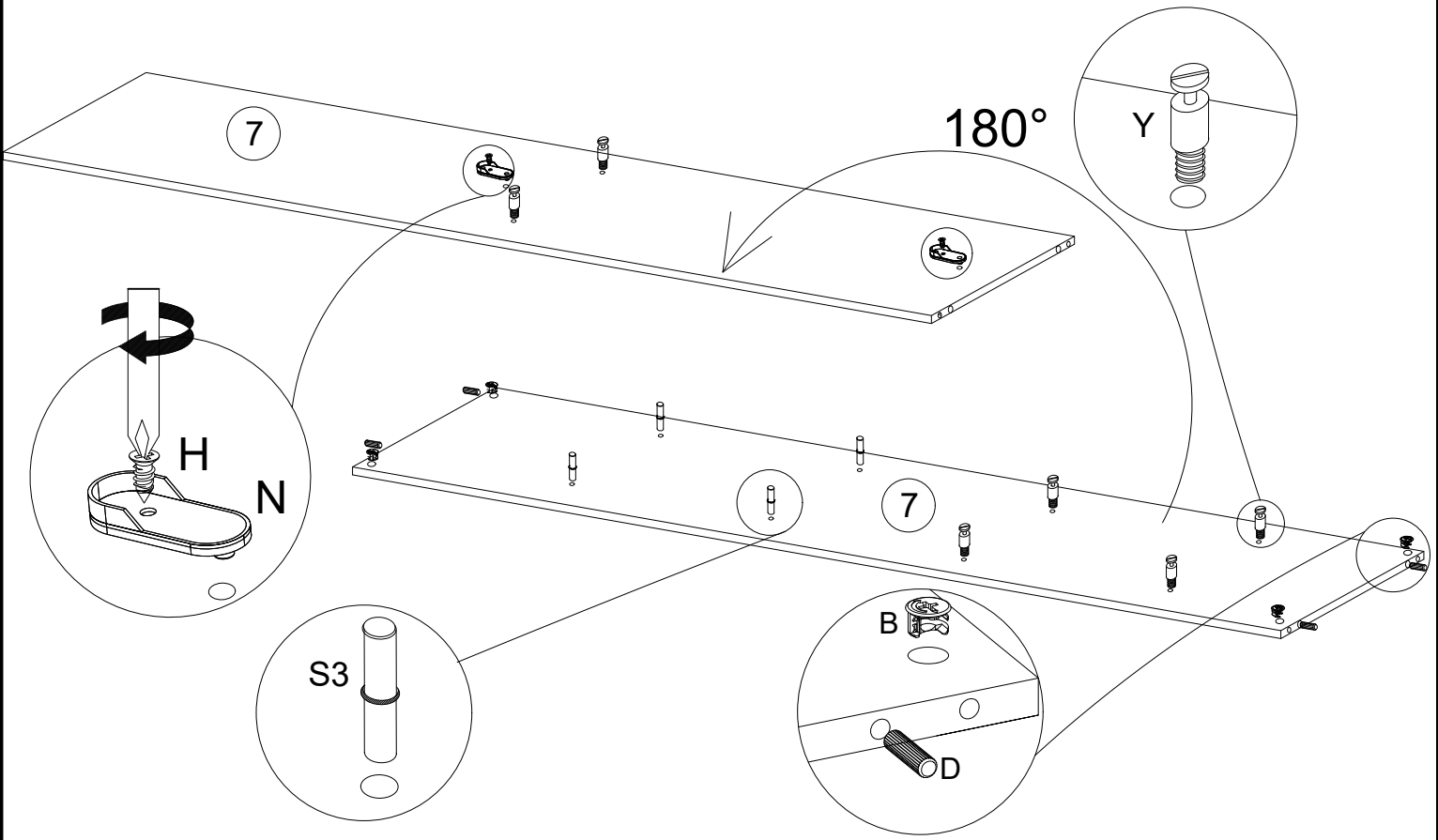


No.	Pcs.	L	W	D
1.	1	2000	620	16
2.	1	2000	620	16
3.	1	1888	480	16
4.	1	2468	582	16
5.	1	2468	600	16
6.	4	667	480	16
7.	1	1888	480	16
8.	4	667	480	16
9.	2	2468	80	16
10.	4	1918	341	3
11.	1	1102	480	16
12.	1	2468	70	16
13.	2	1918	557	3
14.	1	1873	850	16
15.	1	1873	850	16
16.	1	1873	850	16

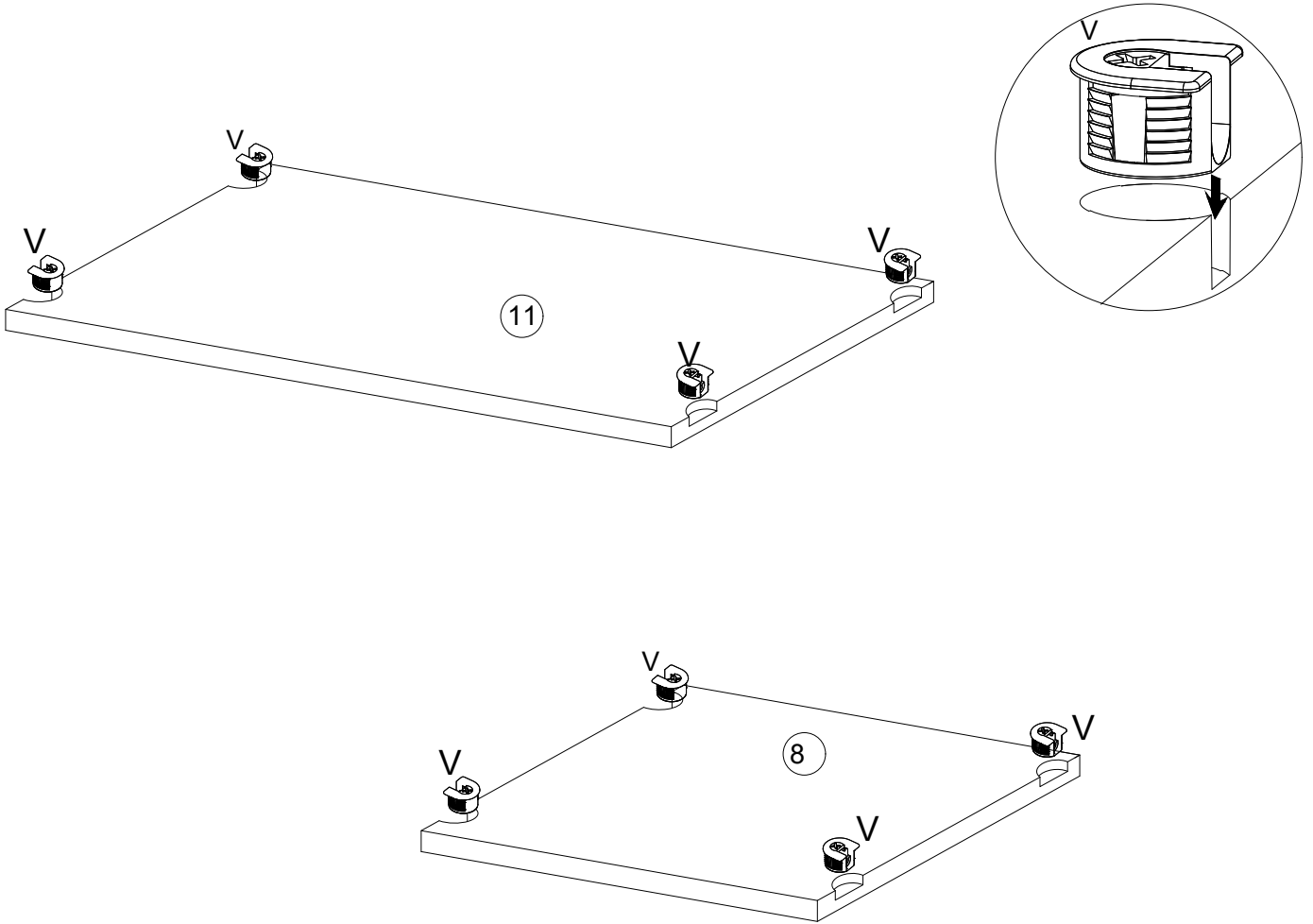


3**4****5**

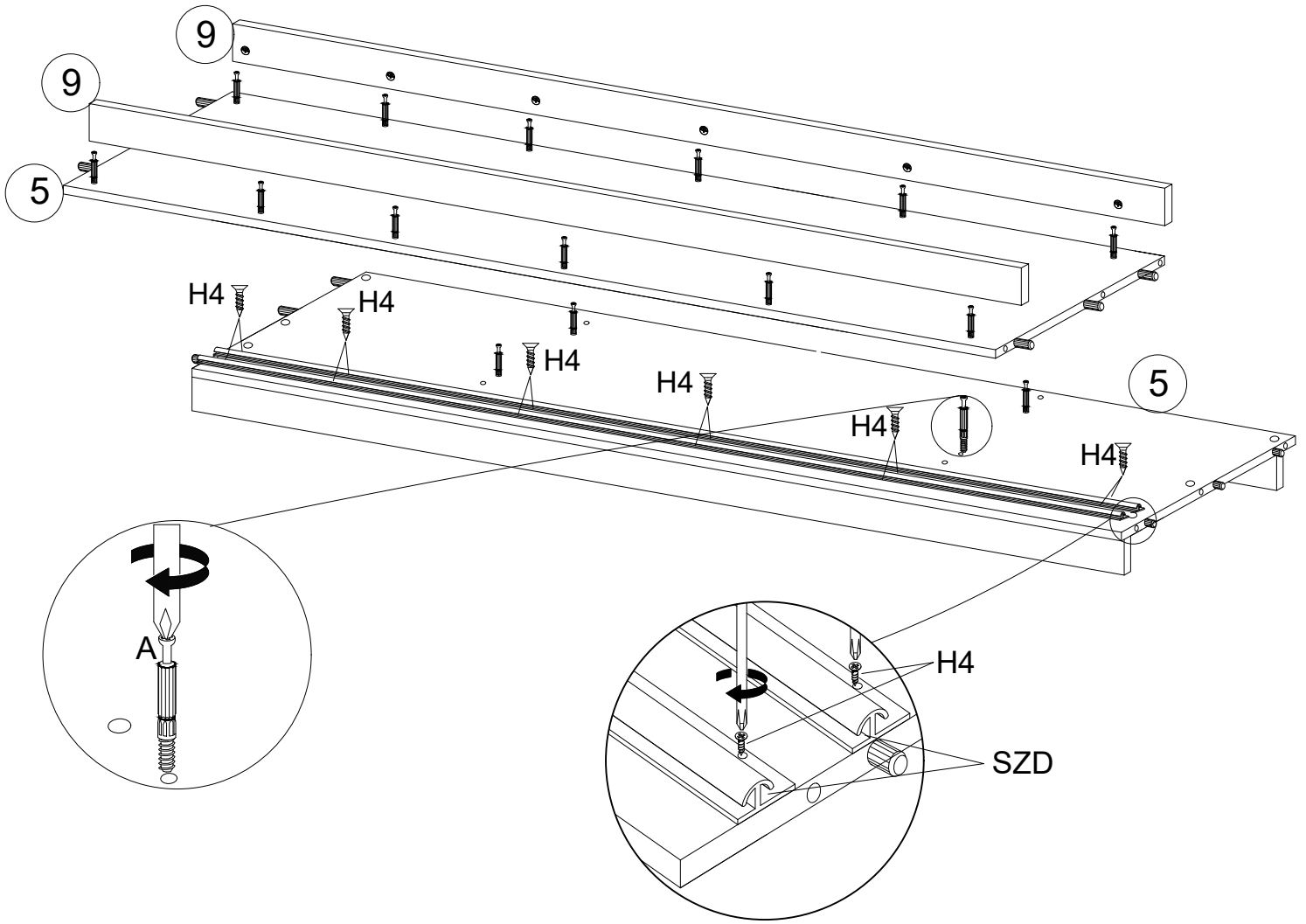
6



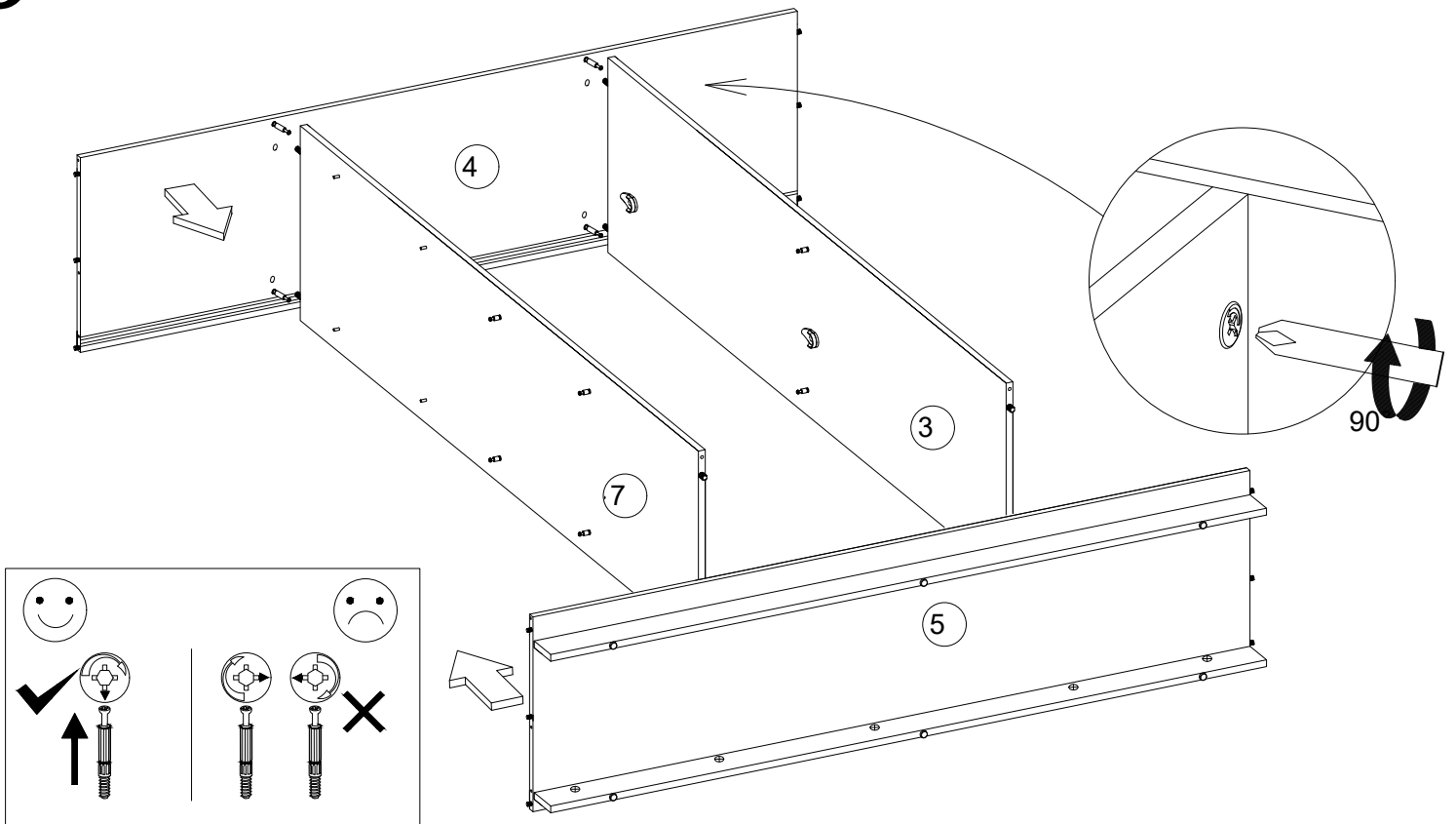
7



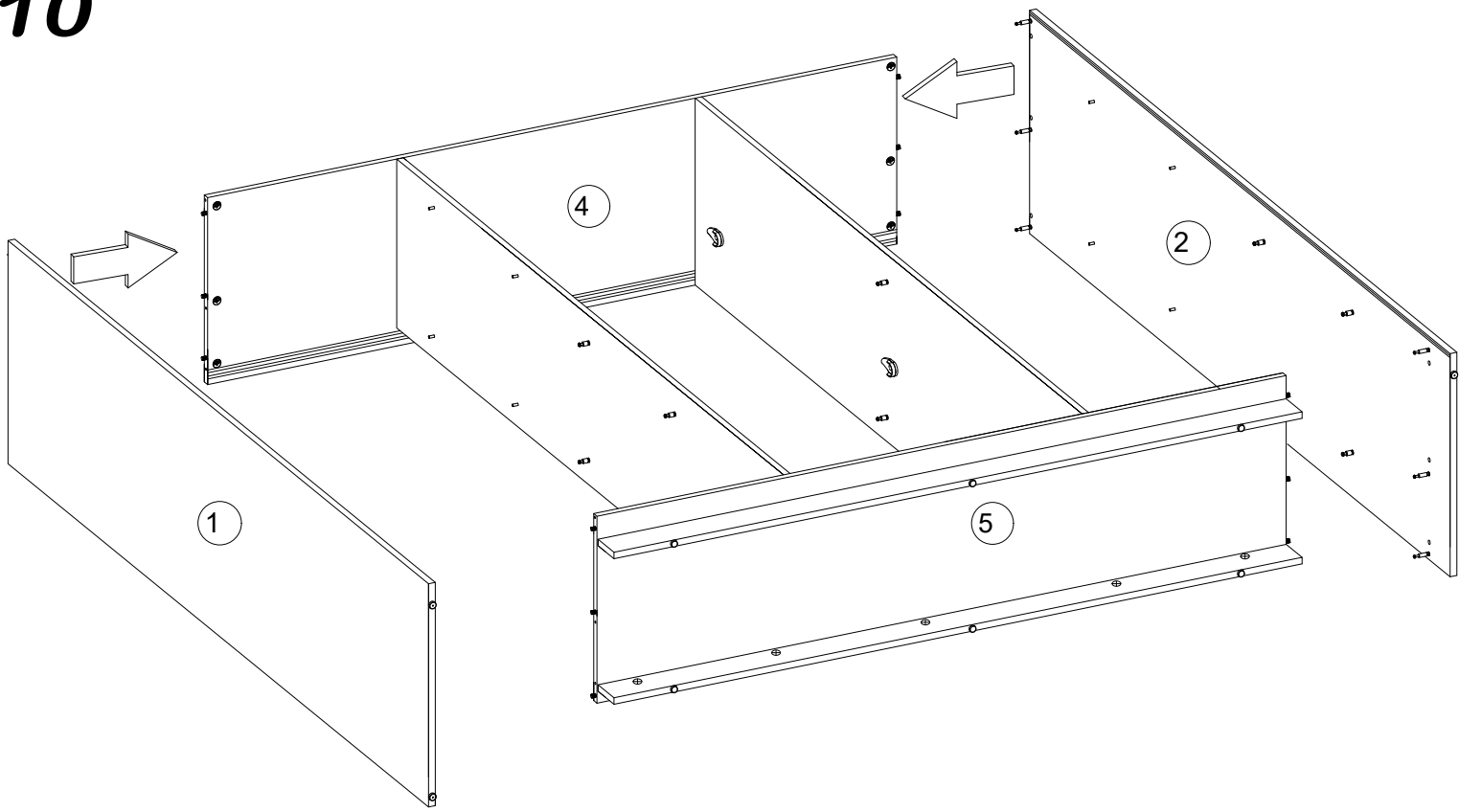
8



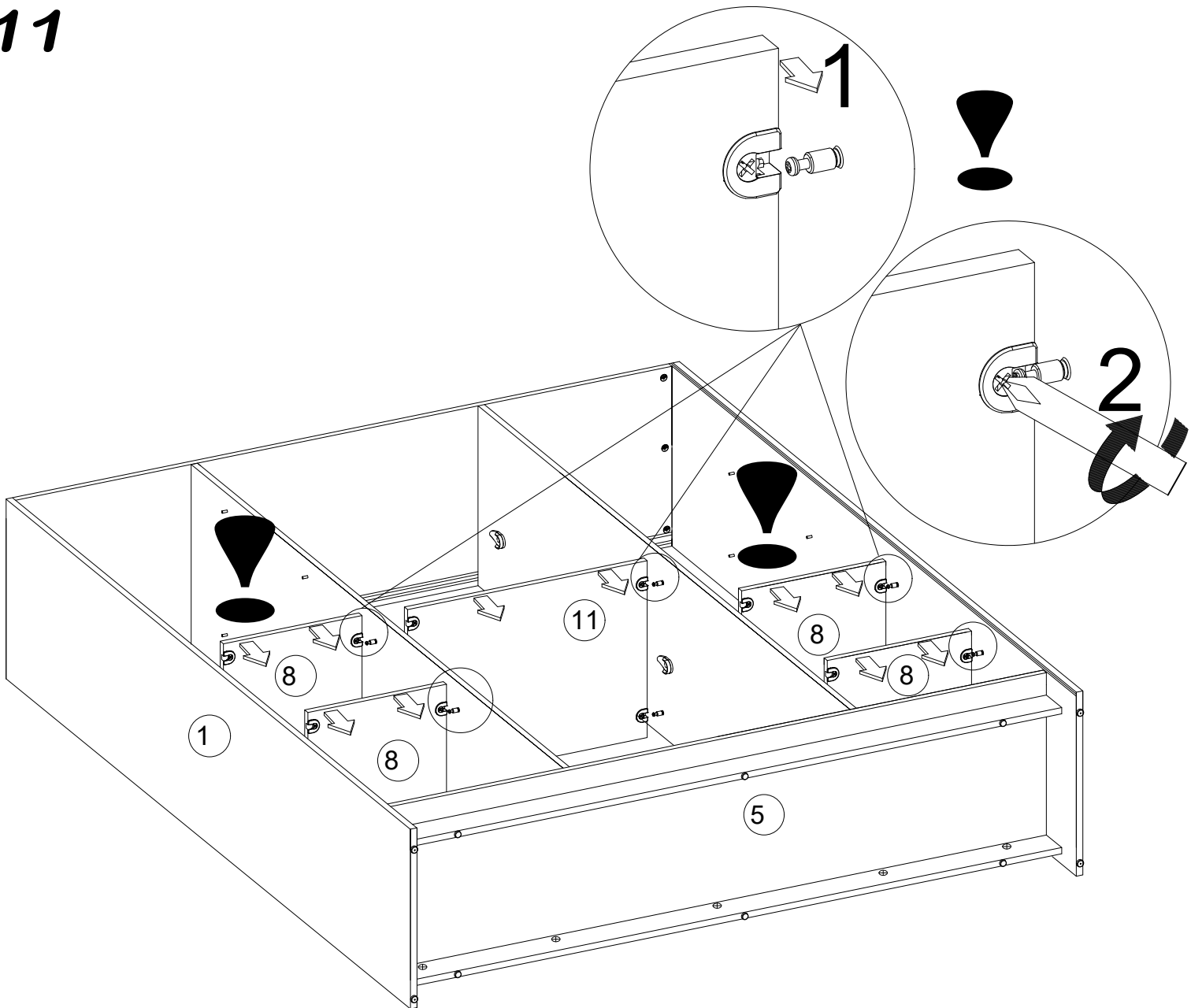
9



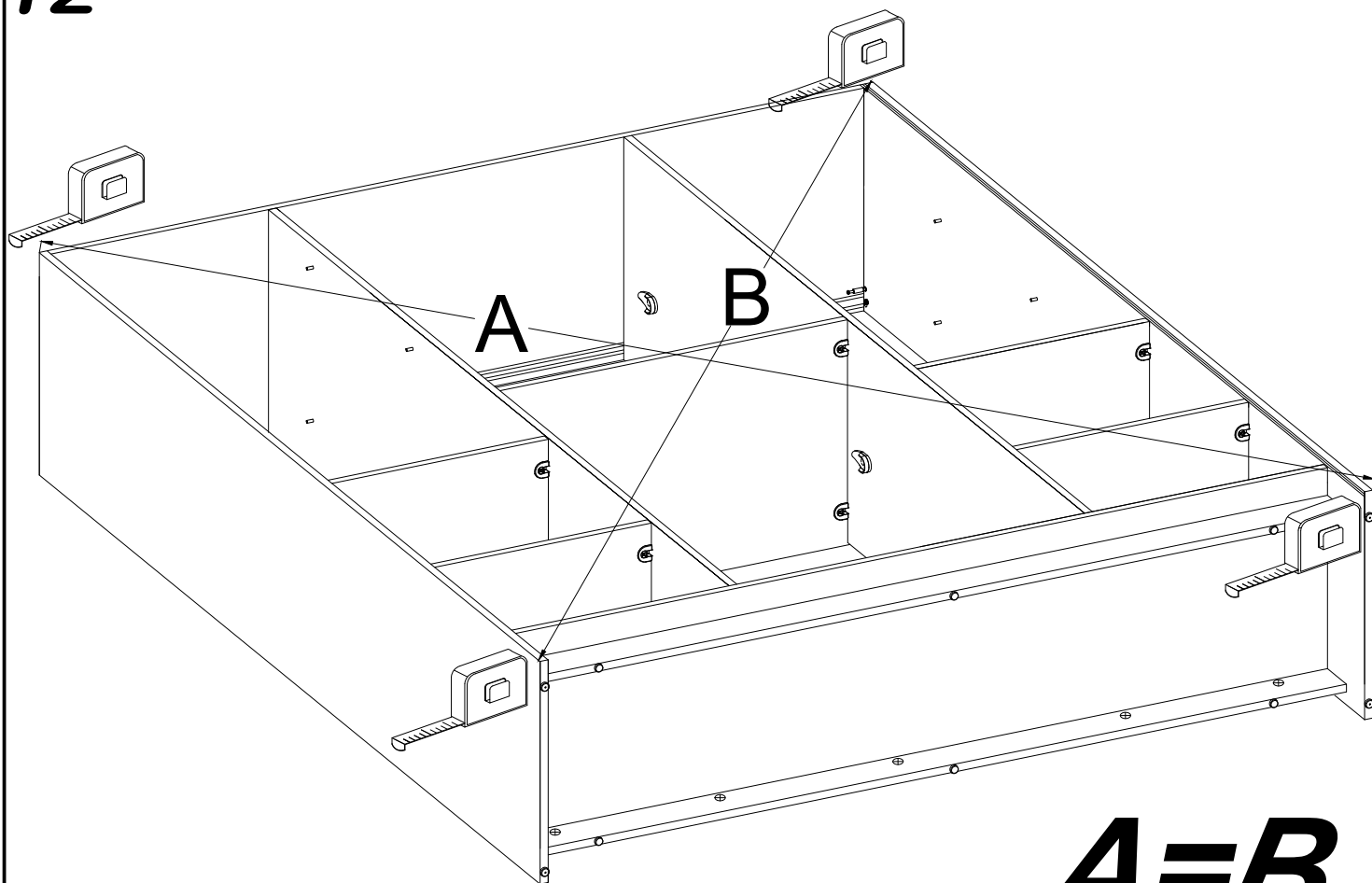
10



11

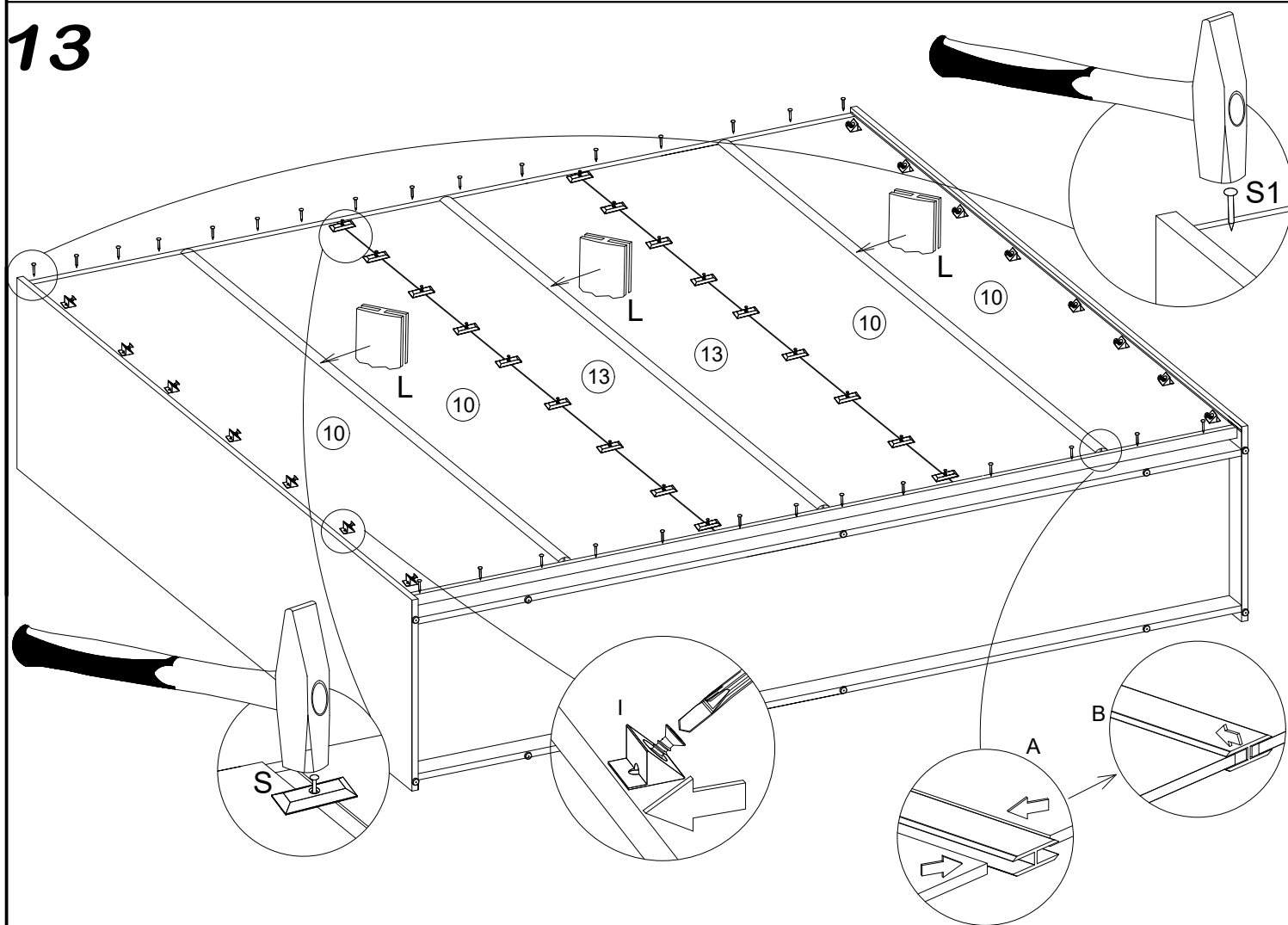


12

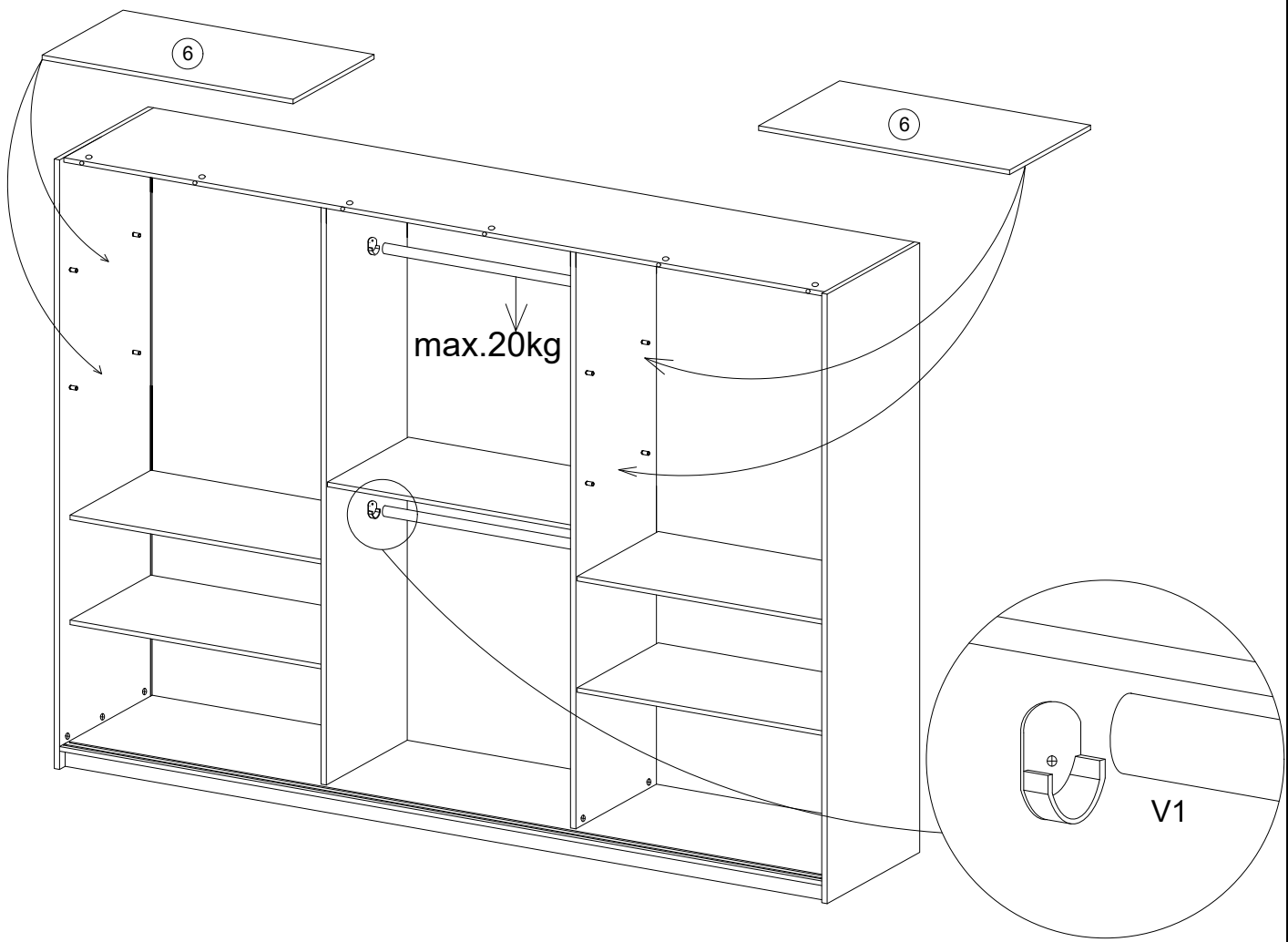


A=B

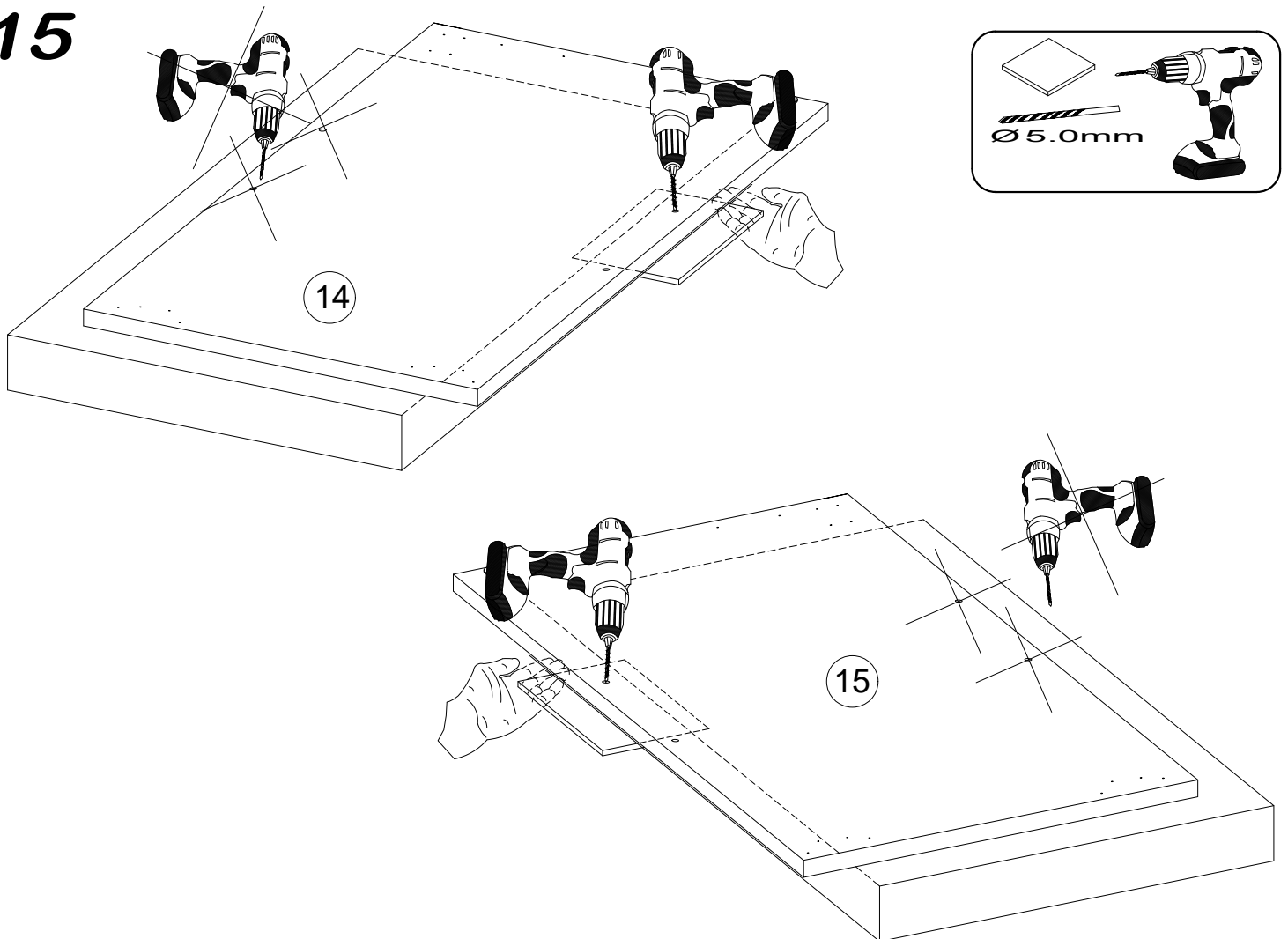
13



14

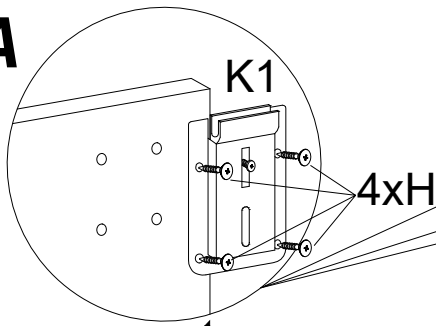


15

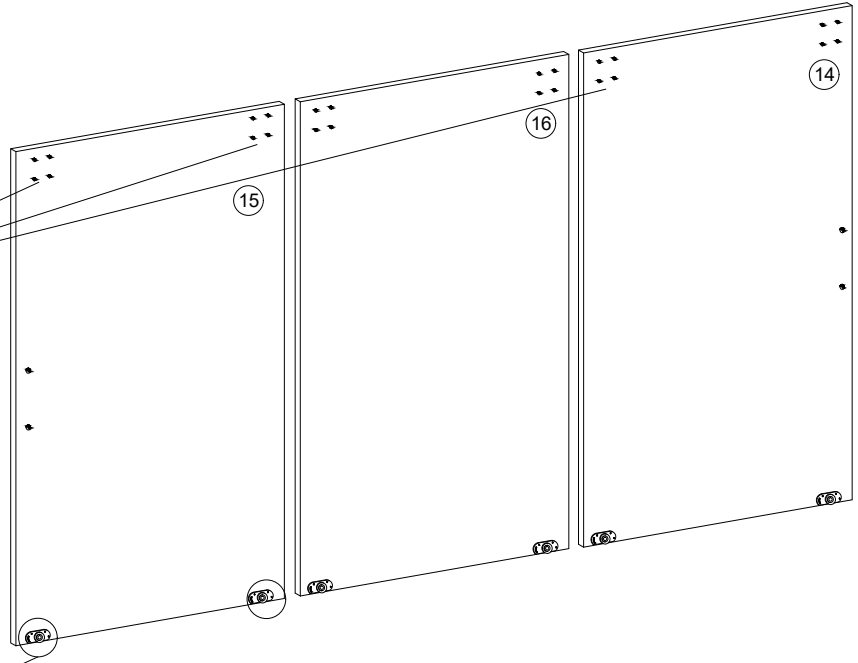
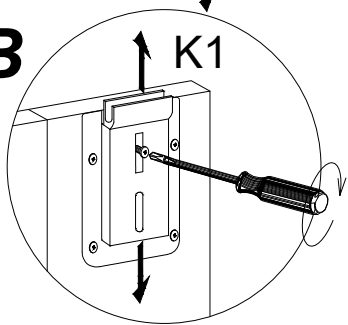


16

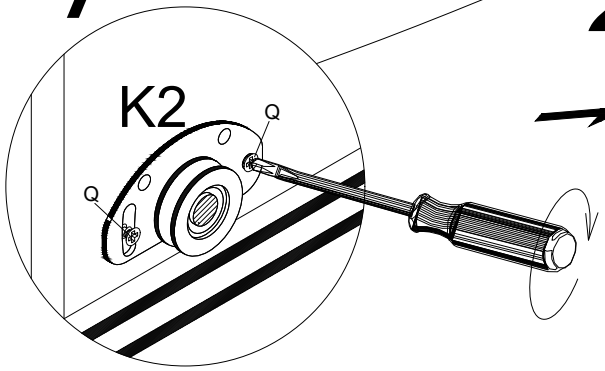
A



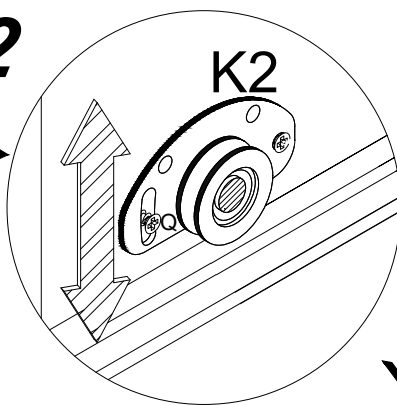
B



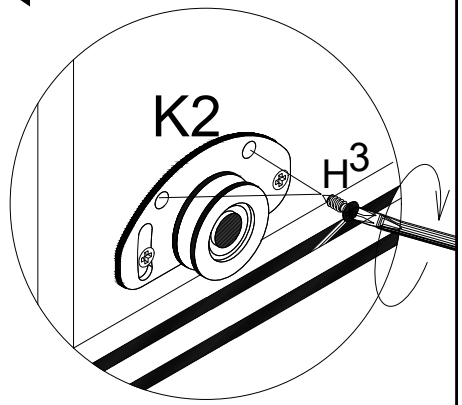
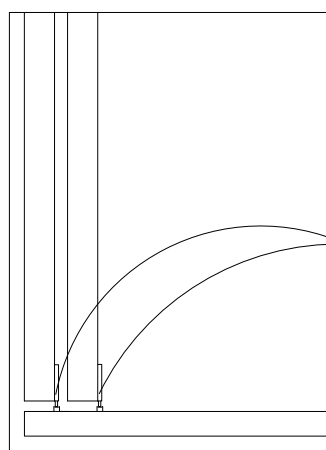
1



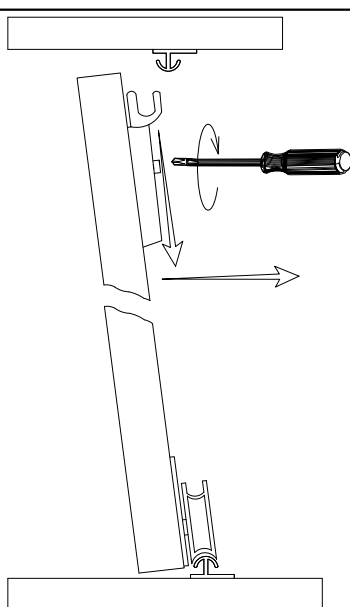
2



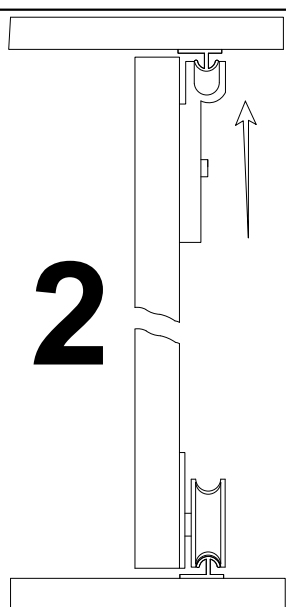
3



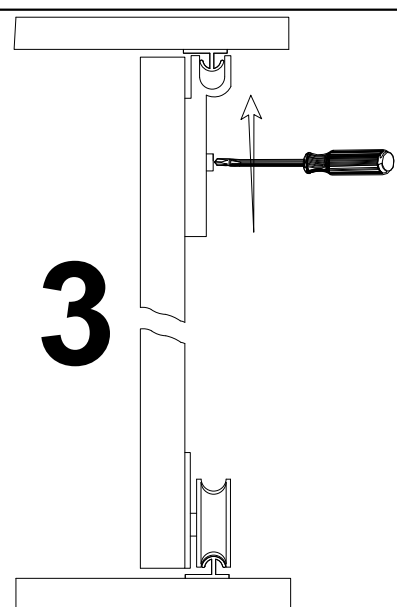
1



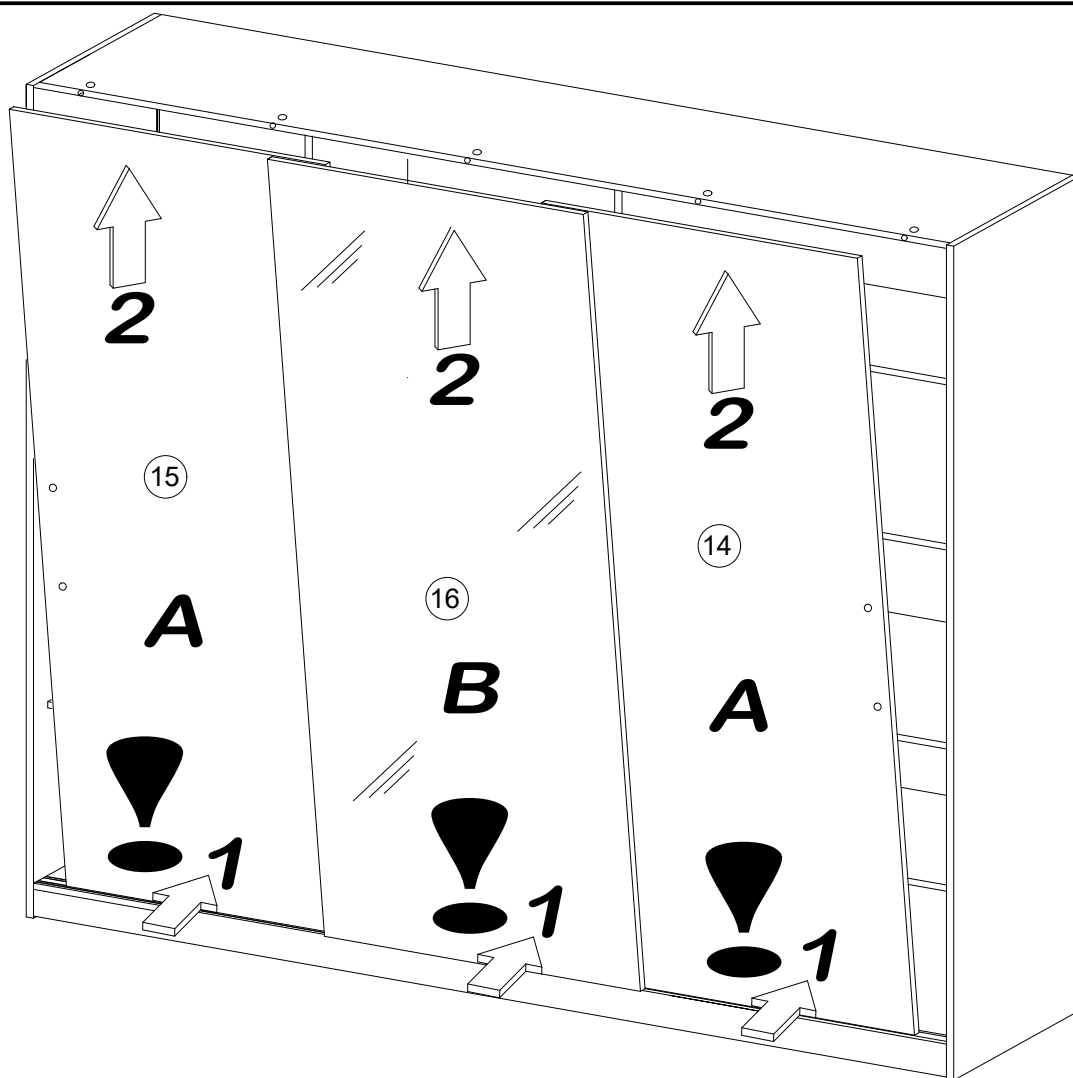
2



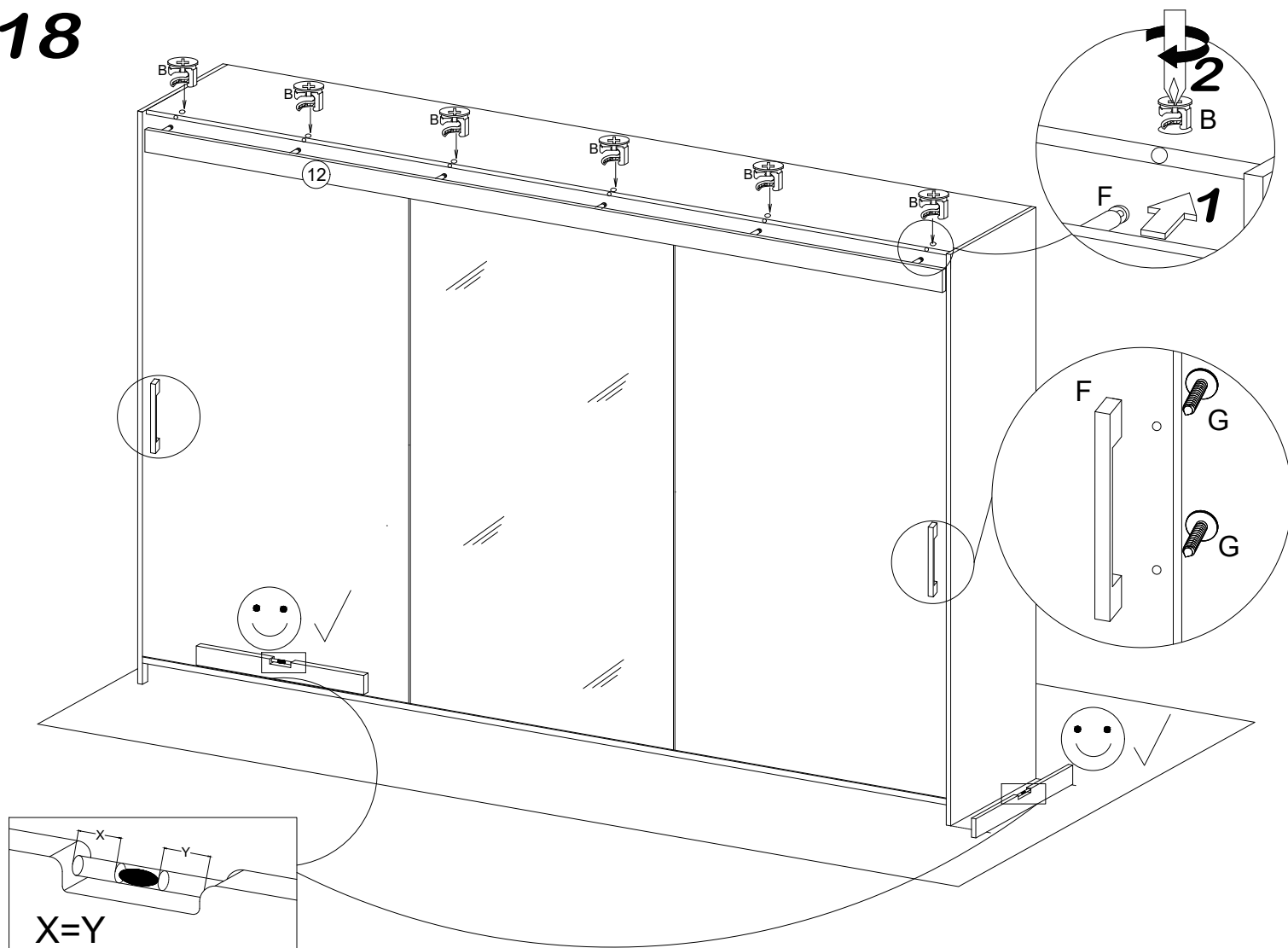
3



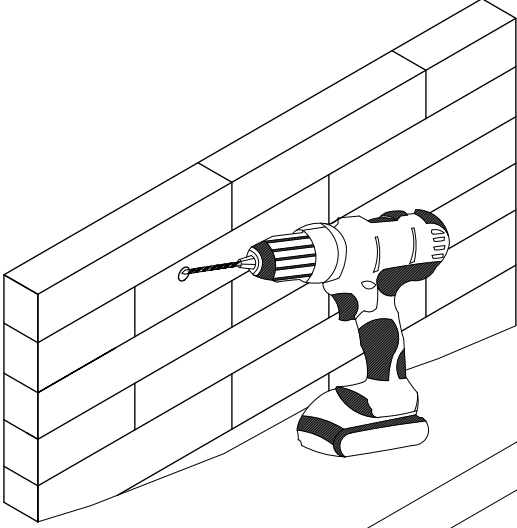
17


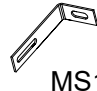


18

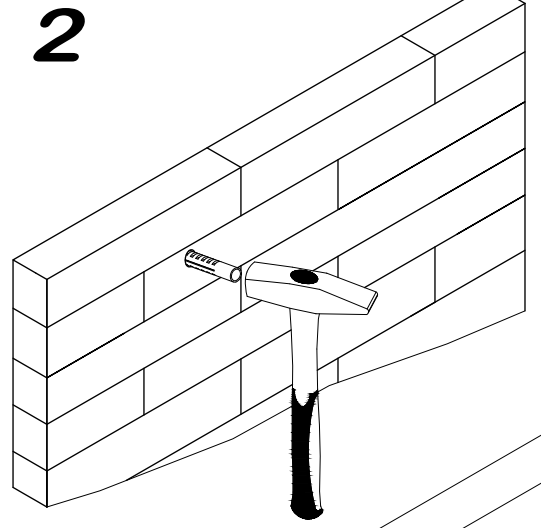


1

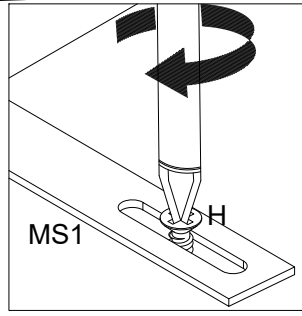
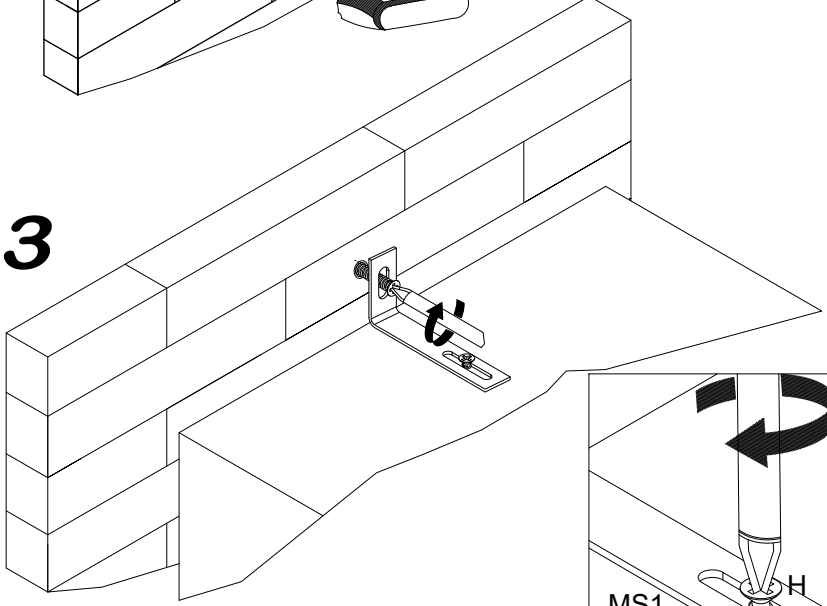


3.5x16	
	
H	MS1
1	1

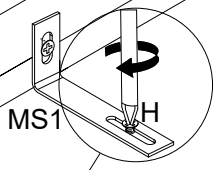
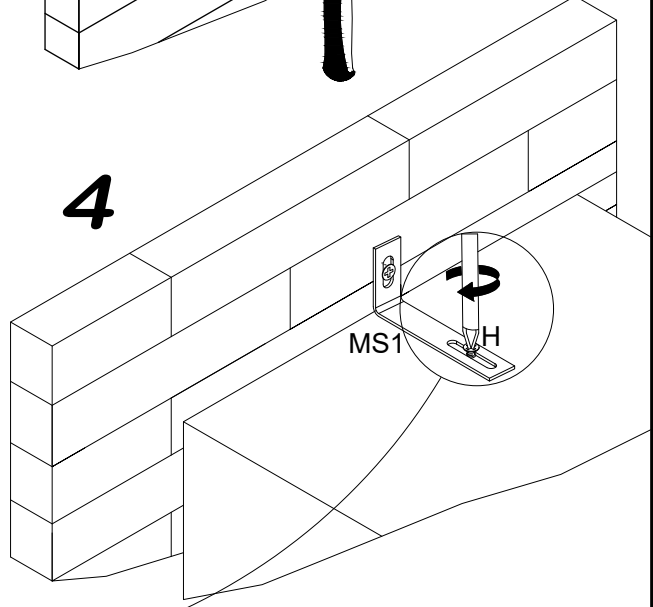
2

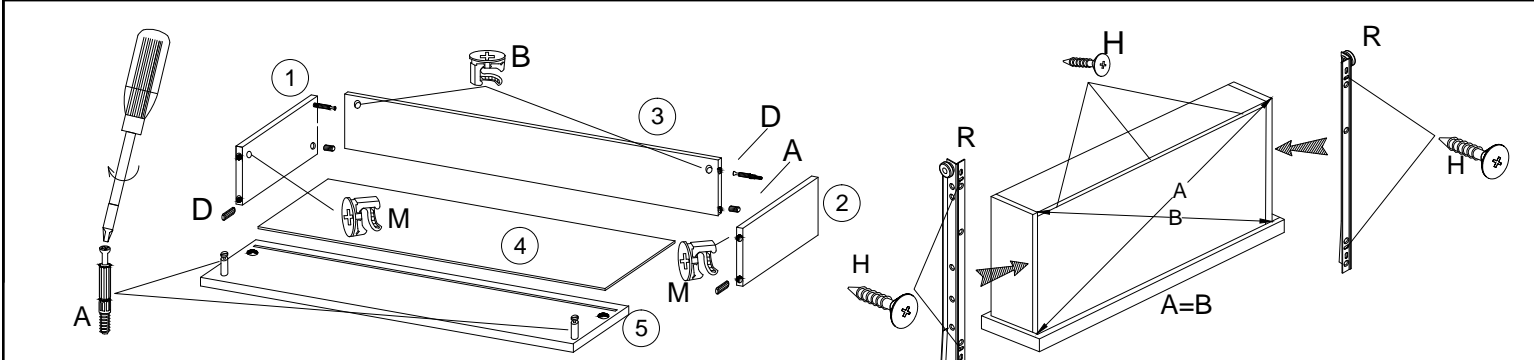
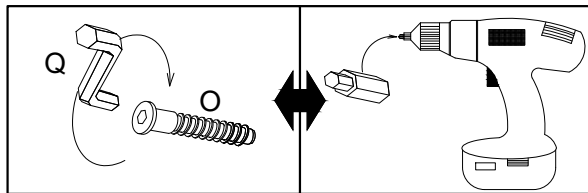
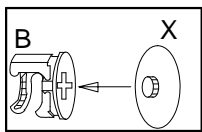
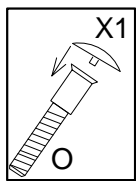
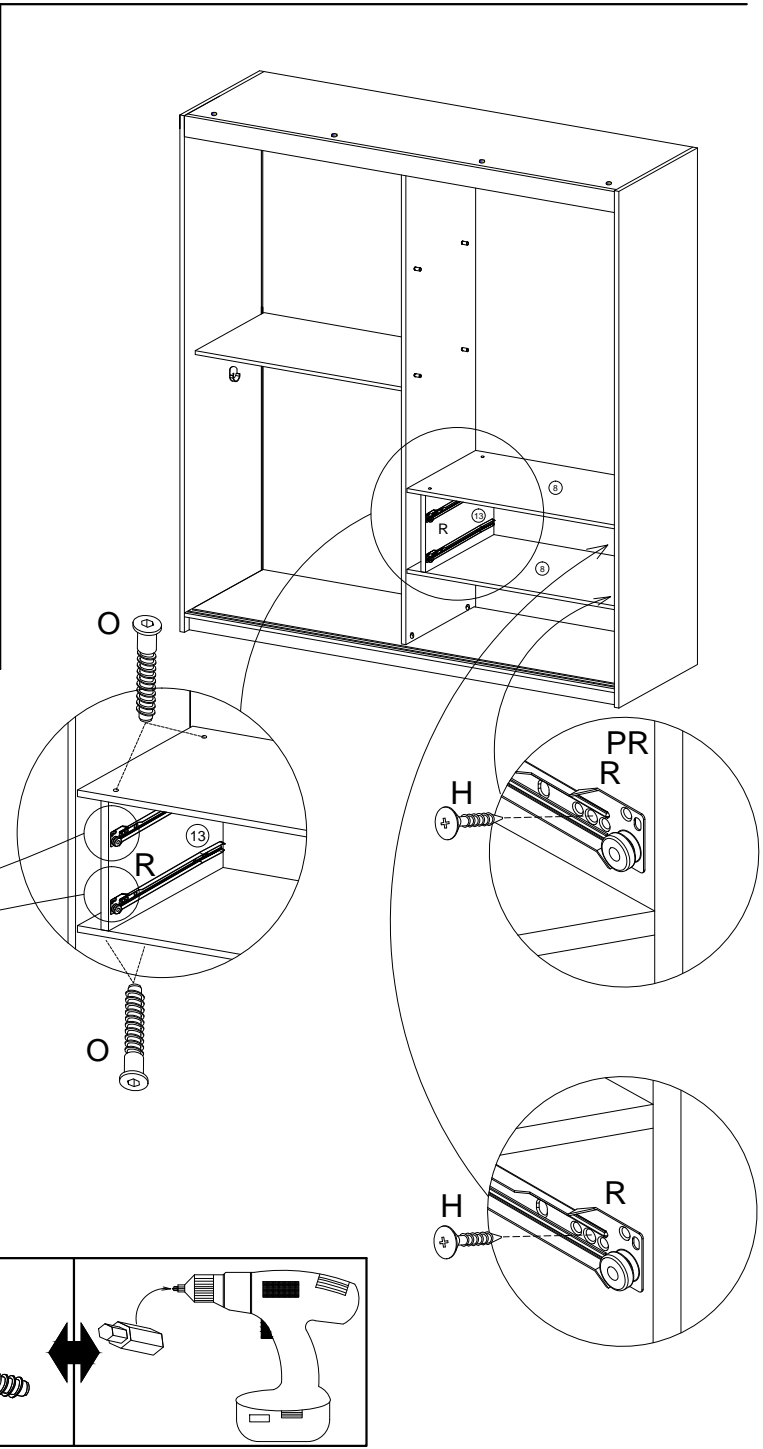
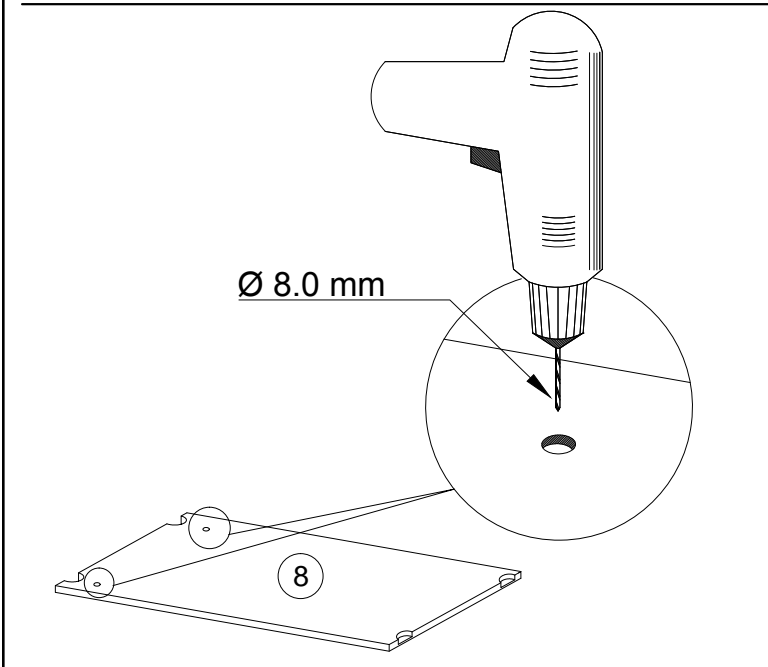


3

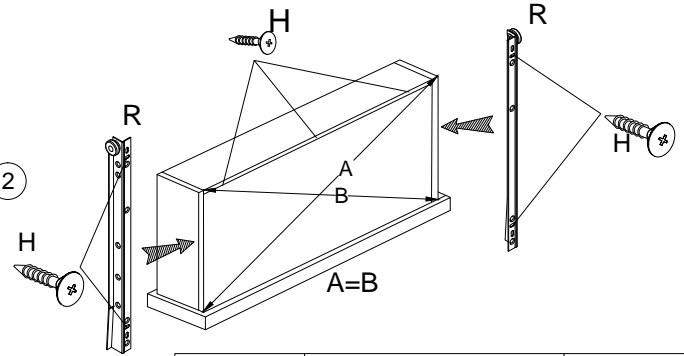
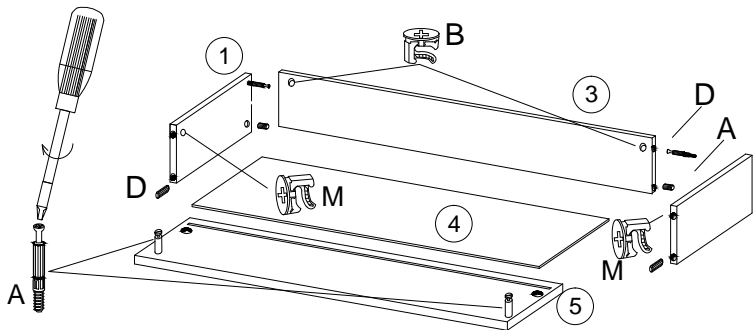
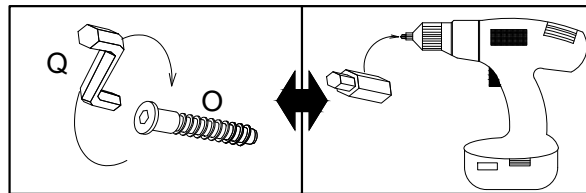
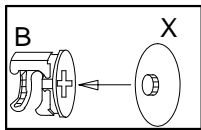
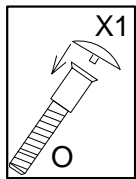
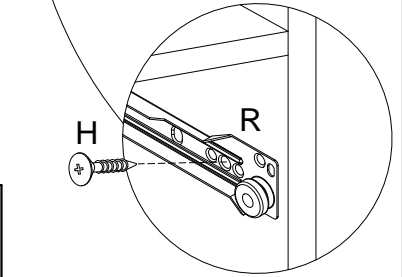
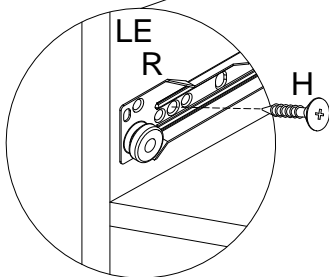
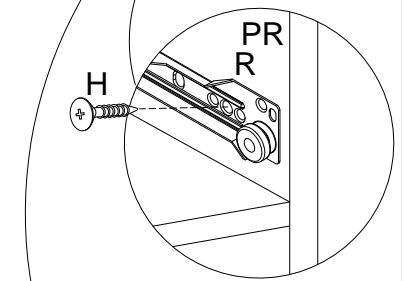
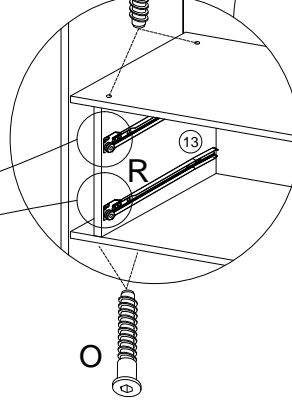
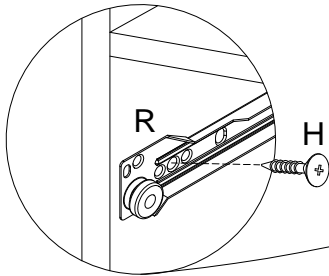
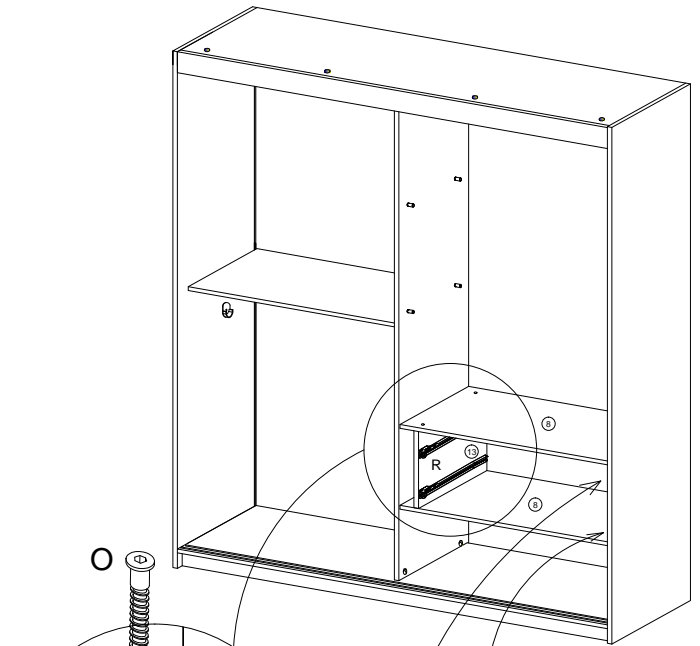
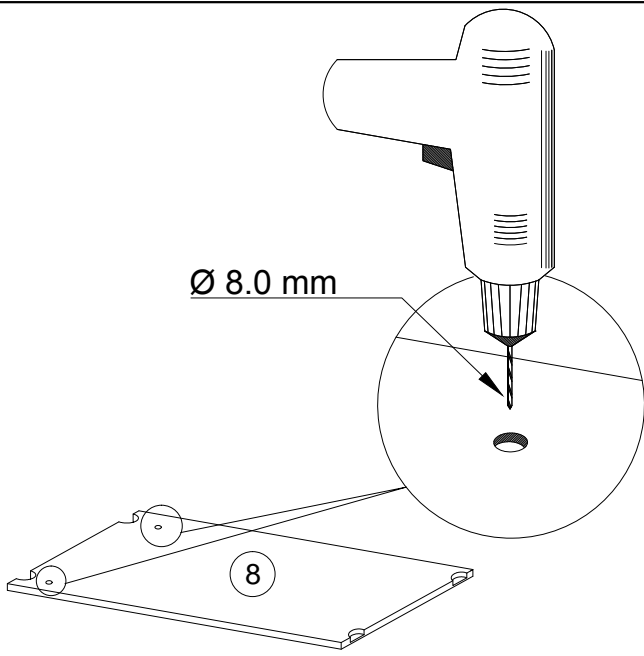


4



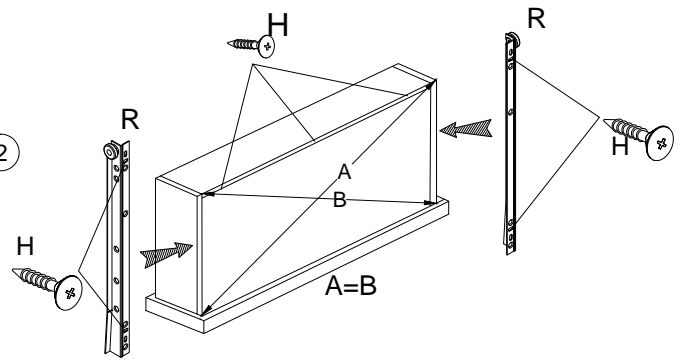
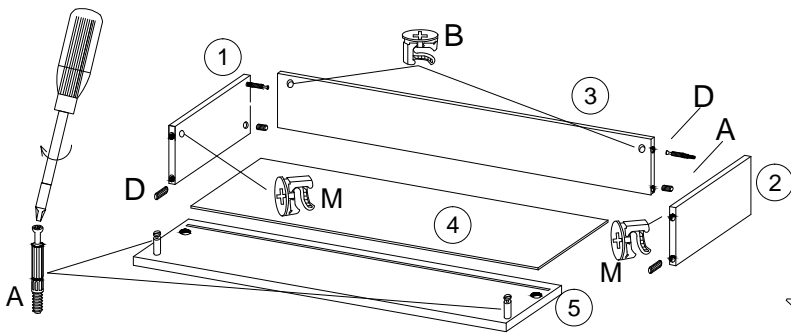
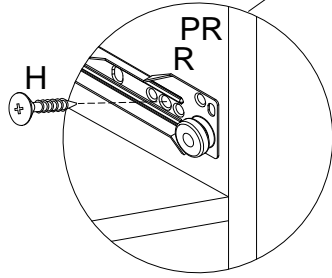
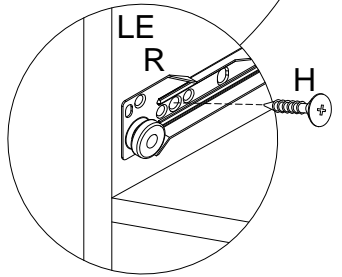
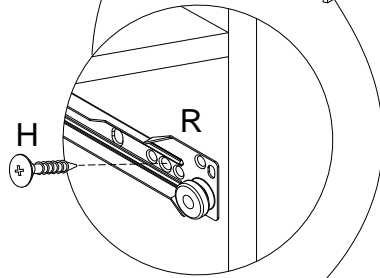
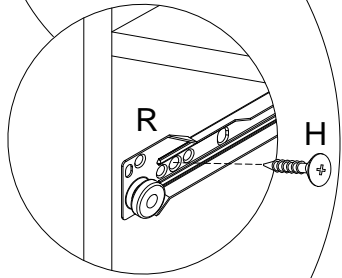
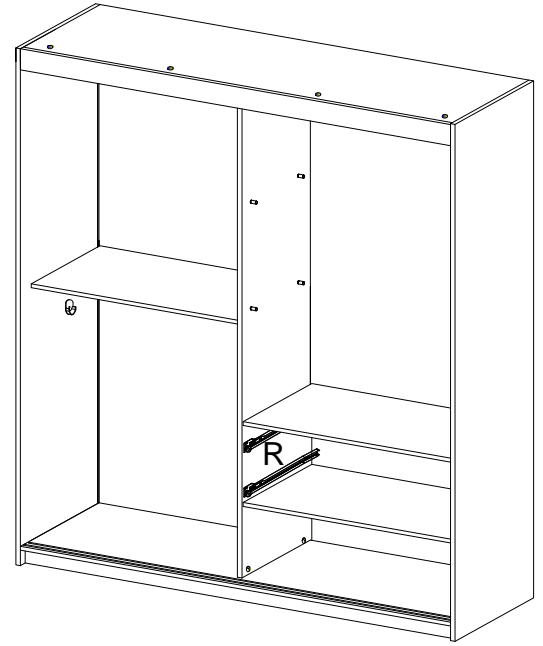
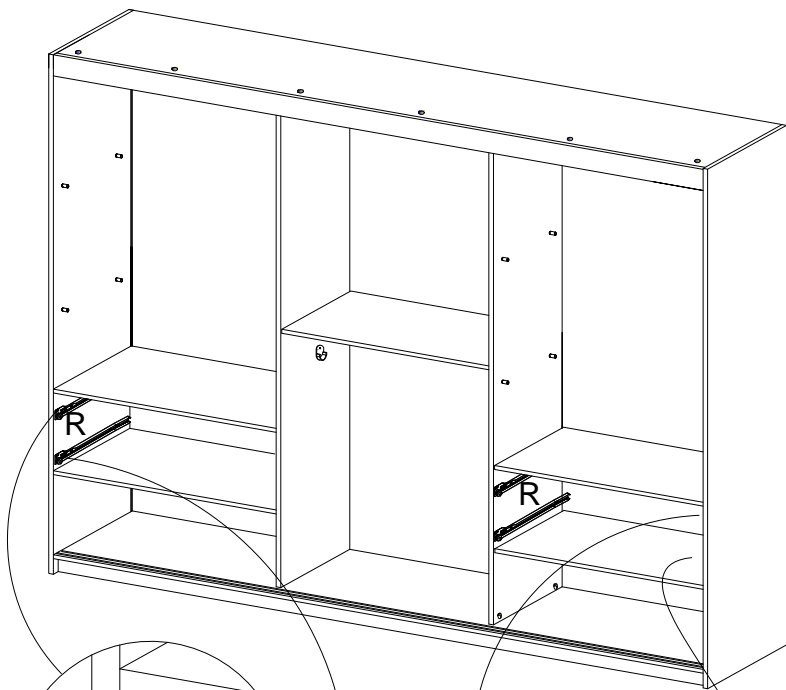


			L-450mm		3.5x16
		X1	R		H
		4	2		24
1	4	8	8	8	8
Q	O	X	A	M	D



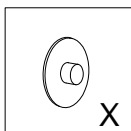
	L-450mm 	3.5x16
X1	R	H
4	2	24

Q	O	X	A	M	D
1	4	8	8	8	8



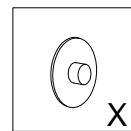
No.	Pcs.	L	W	D
1.	2	450	110	16
2.	2	450	110	16
3.	2	418	110	16
4.	2	453	446	3
5.	2	160	468	16

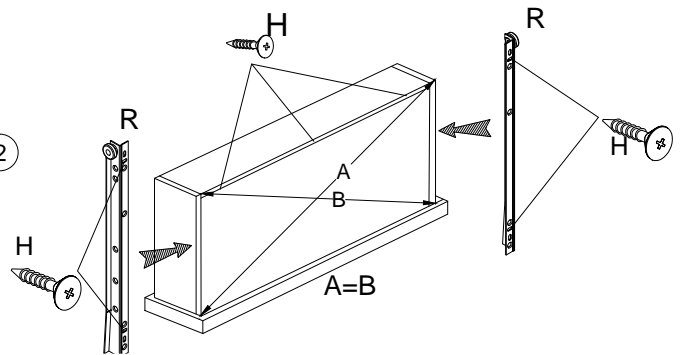
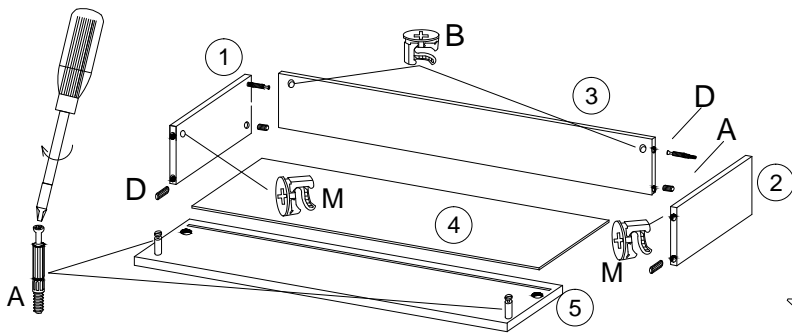
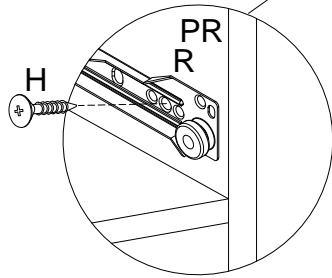
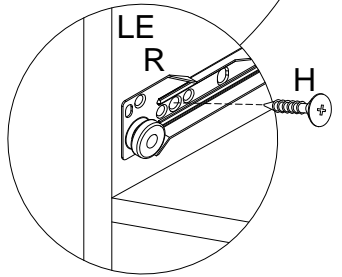
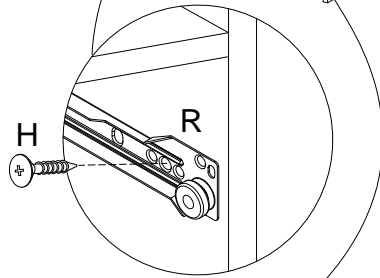
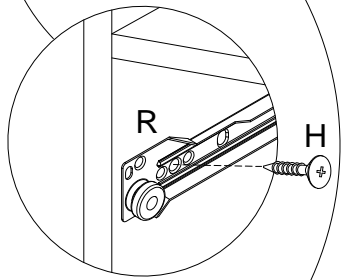
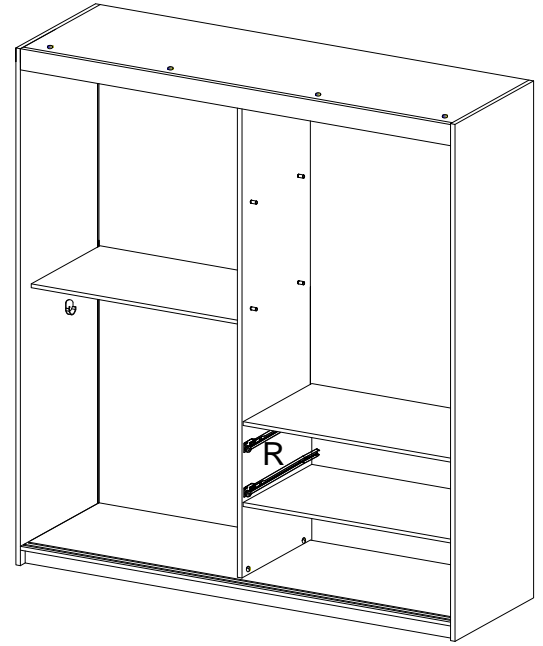
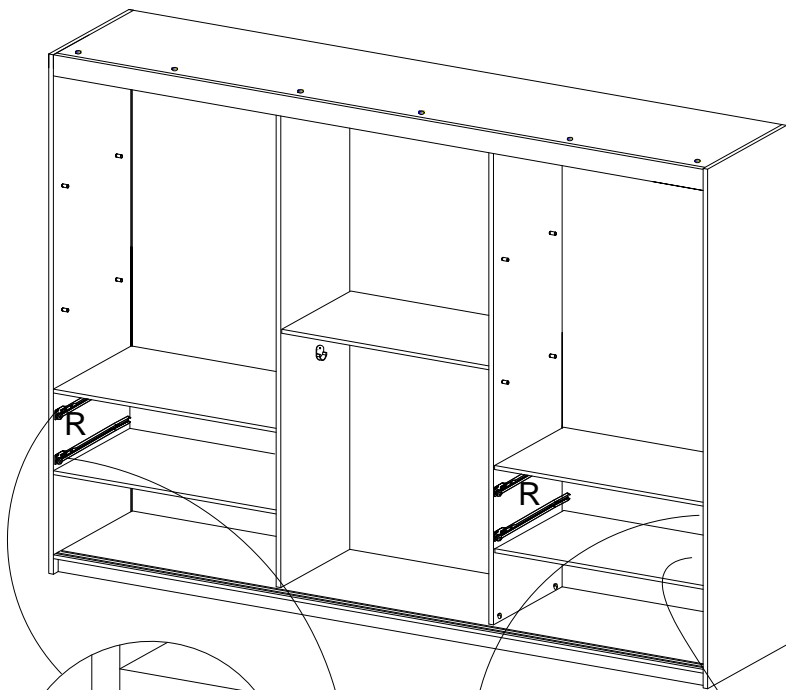
L-450mm		3.5x16
	R	H
2		24
8	8	8



No.	Pcs.	L	W	D
1.	2	450	110	16
2.	2	450	110	16
3.	2	610	110	16
4.	2	453	638	16
5.	2	160	660	16

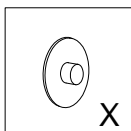
L-450mm		3.5x16
	R	H
2		24
8	8	8





No.	Pcs.	L	W	D
1.	2	450	110	16
2.	2	450	110	16
3.	2	418	110	16
4.	2	453	446	3
5.	2	160	468	16

L-450mm		3.5x16
	R	H
2		24
	A	
8		8
	D	
8		8



No.	Pcs.	L	W	D
1.	2	450	110	16
2.	2	450	110	16
3.	2	610	110	16
4.	2	453	638	16
5.	2	160	660	16

L-450mm		3.5x16
	R	H
2		24
	A	
8		8
	D	
8		8

