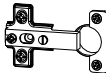
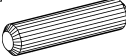
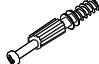




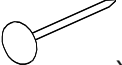



L  x2	B  x11	C  x8	D  x8
K 3.5x16  x4	 x1	G 4x27  x1	H  x50
I  x6			

