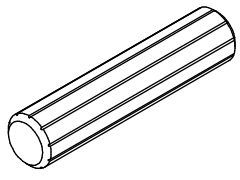
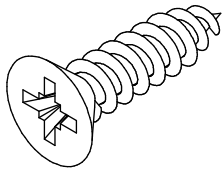
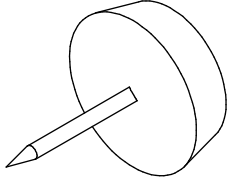
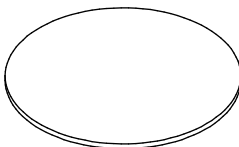
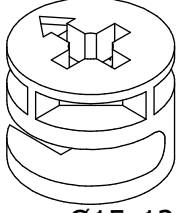
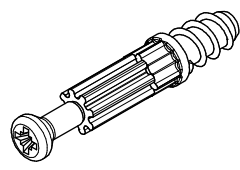
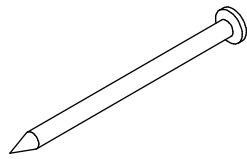
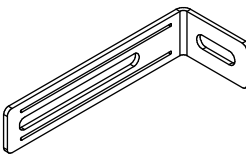
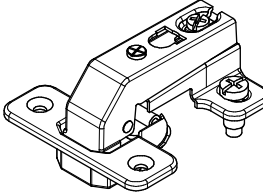
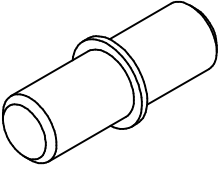
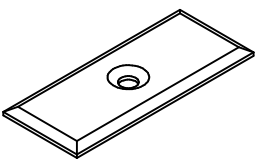
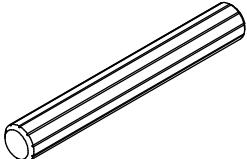
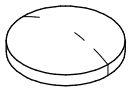
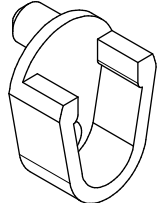
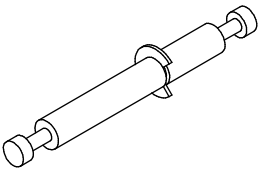
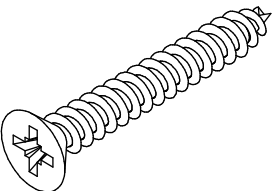
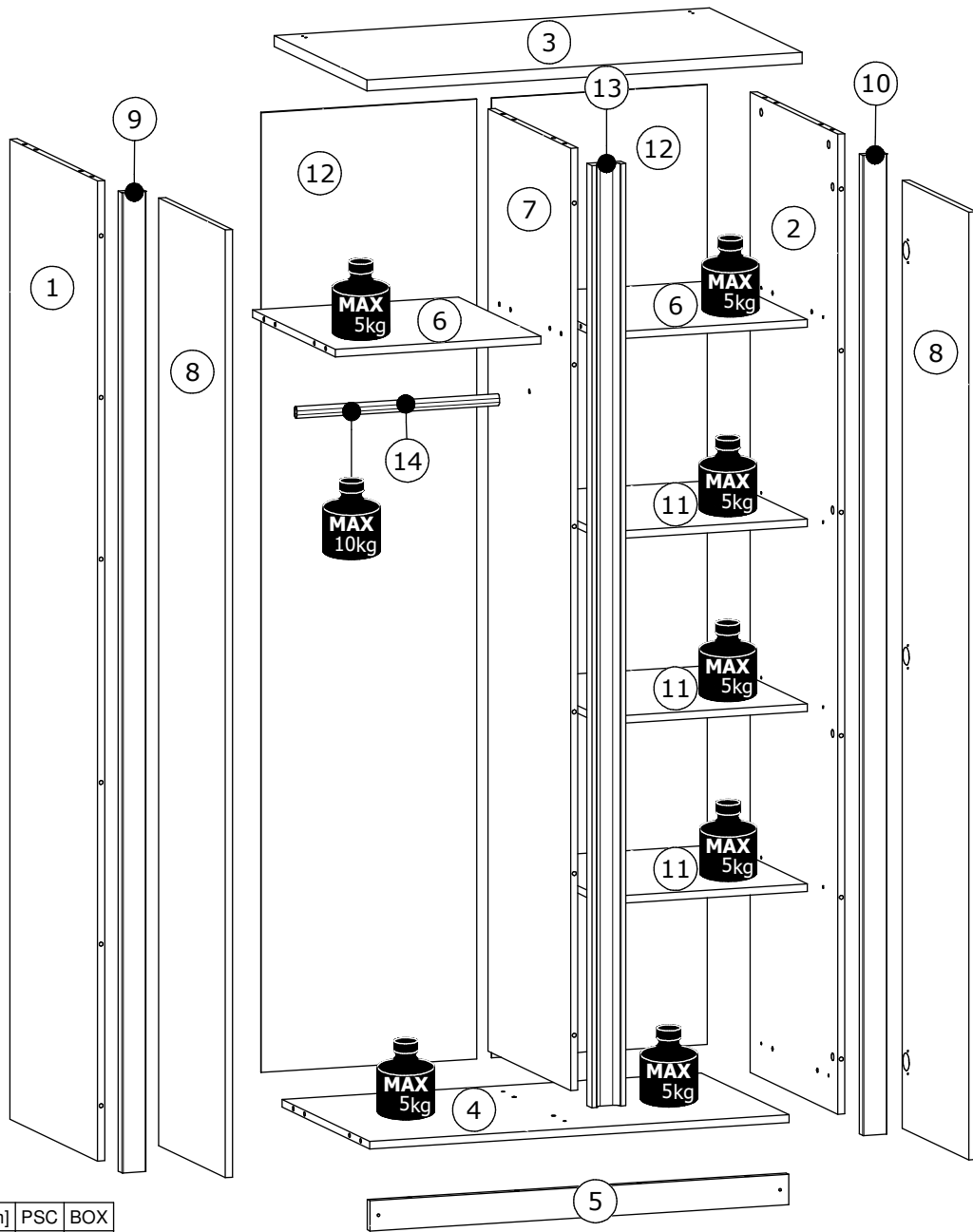
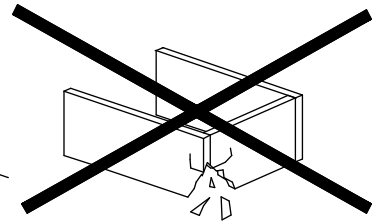
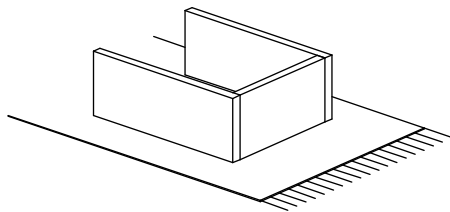
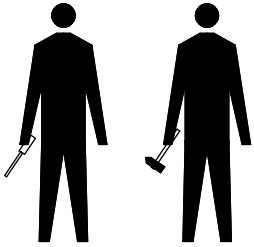
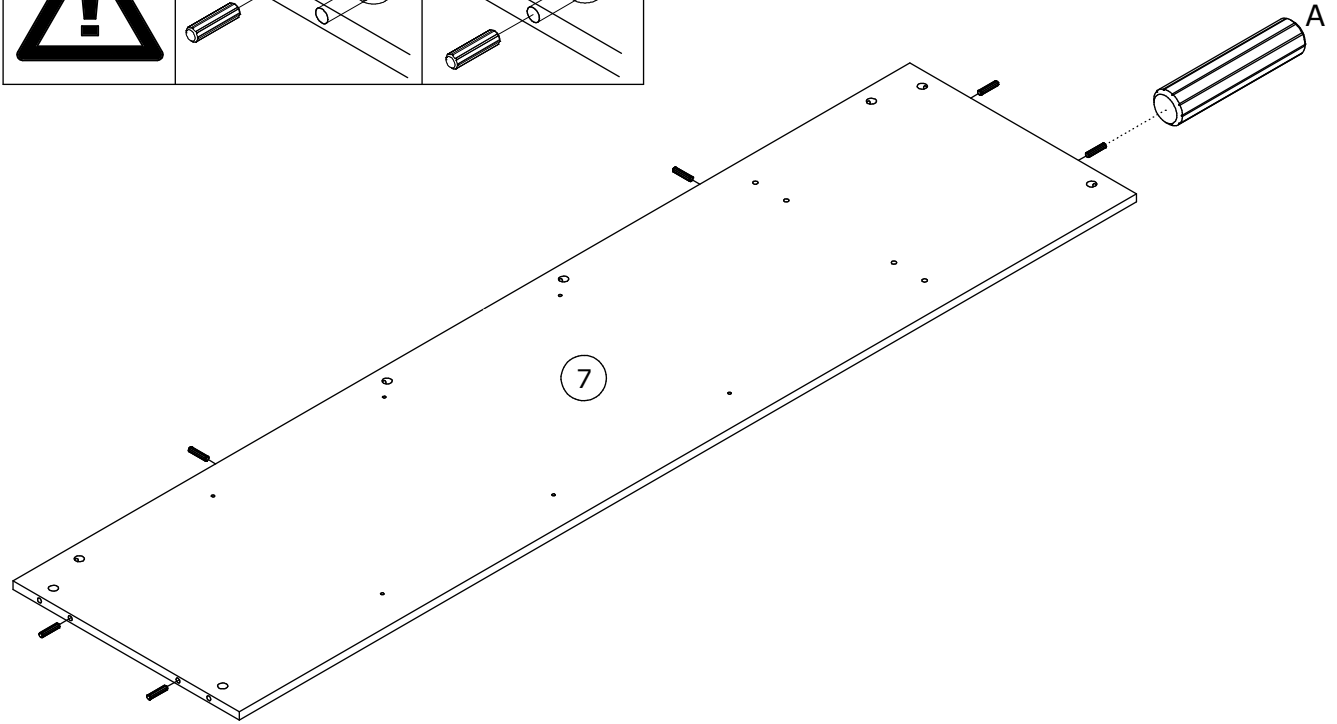
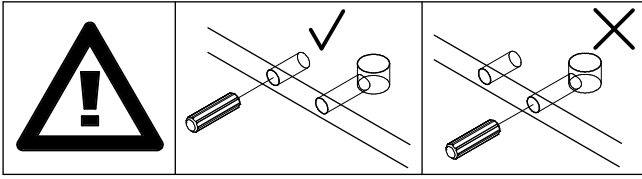
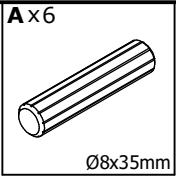


| | | | | |
|---|--|---|---|---|
| <p>A x26</p>  <p>Ø8x35mm</p> | <p>B x18</p>  <p>Ø3,5x16mm</p> | <p>C x6</p>  <p>Ø15x20mm</p> | <p>D x28</p>  <p>Ø21mm</p> | <p>E x32</p>  <p>Ø15x12mm</p> |
| <p>F x28</p>  <p>Ø5x38mm</p> | <p>H x54</p>  <p>26mm</p> | <p>J x2</p>  <p>75x28x16 mm</p> | <p>K x6</p>  <p>Ø35mm, 90°</p> | <p>L x12</p>  <p>Ø5x16mm</p> |
| <p>M x14</p>  <p>22x10mm</p> | <p>N x2</p>  <p>Ø8x60mm</p> | <p>O x4</p>  <p>Ø8x1,5mm</p> | <p>P x2</p>  <p>Ø8x35mm</p> | <p>Q x2</p>  <p>Ø7x70mm</p> |
| <p>R x2</p>  <p>Ø4x30mm</p> | | | | |

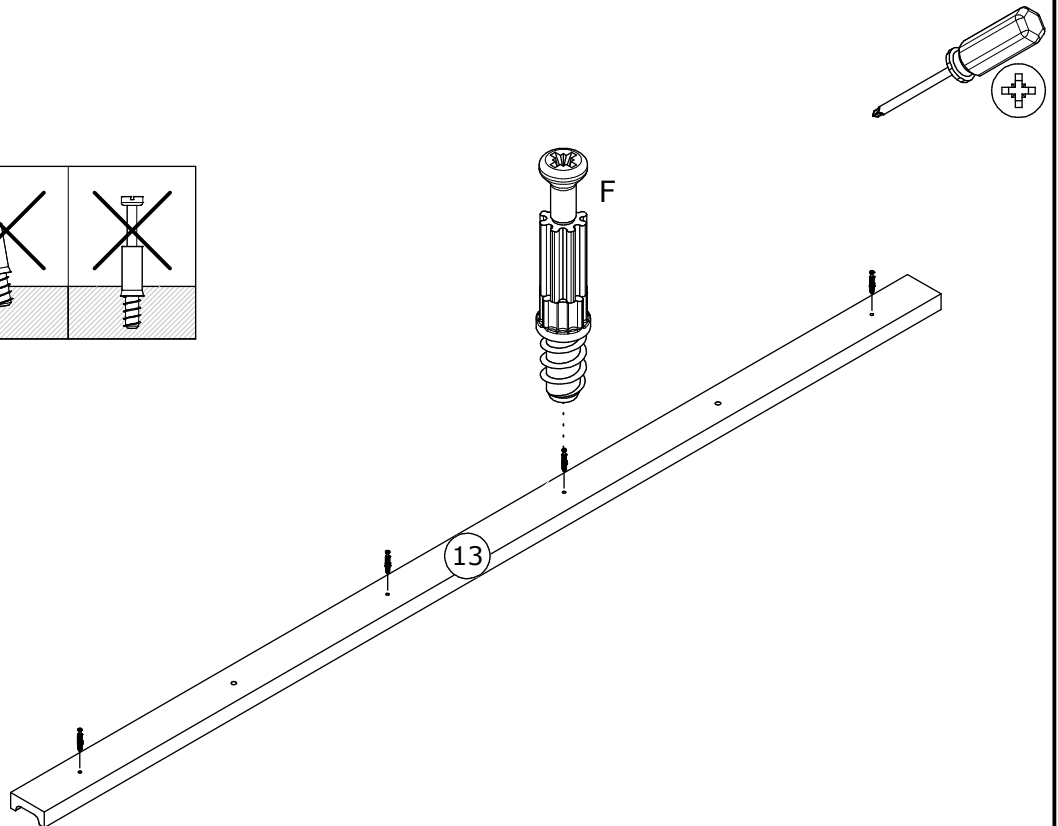
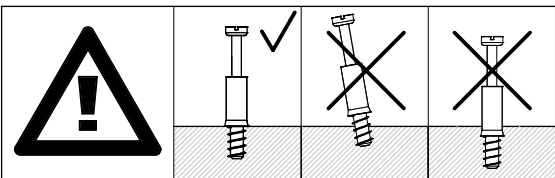
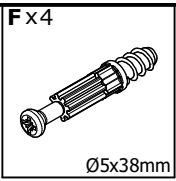


| No. | L[mm] | W[mm] | H[mm] | PSC | BOX |
|-----|-------|-------|-------|-----|-----|
| 1 | 1940 | 500 | 15 | 1 | 1/2 |
| 2 | 1940 | 500 | 15 | 1 | 1/2 |
| 3 | 903 | 530 | 22 | 1 | 2/2 |
| 4 | 870 | 500 | 15 | 1 | 2/2 |
| 5 | 869 | 60 | 15 | 1 | 2/2 |
| 6 | 471 | 427 | 15 | 2 | 2/2 |
| 7 | 1865 | 471 | 15 | 1 | 1/2 |
| 8 | 1876 | 380 | 15 | 2 | 1/2 |
| 9 | 1940 | 50 | 22 | 1 | 1/2 |
| 10 | 1940 | 50 | 22 | 1 | 1/2 |
| 11 | 471 | 427 | 15 | 3 | 2/2 |
| 12 | 1900 | 447 | 2,5 | 2 | 1/2 |
| 13 | 1865 | 70 | 28 | 1 | 1/2 |
| 14 | 420 | 22 | 15 | 1 | 2/2 |

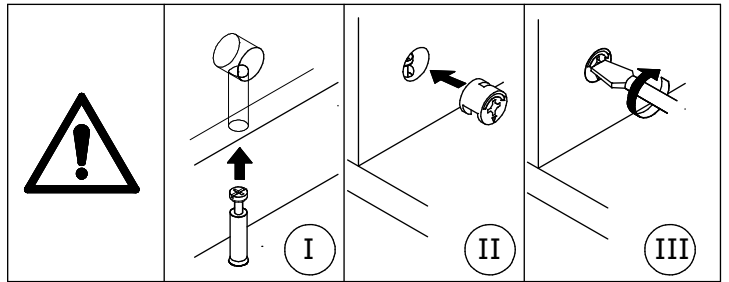
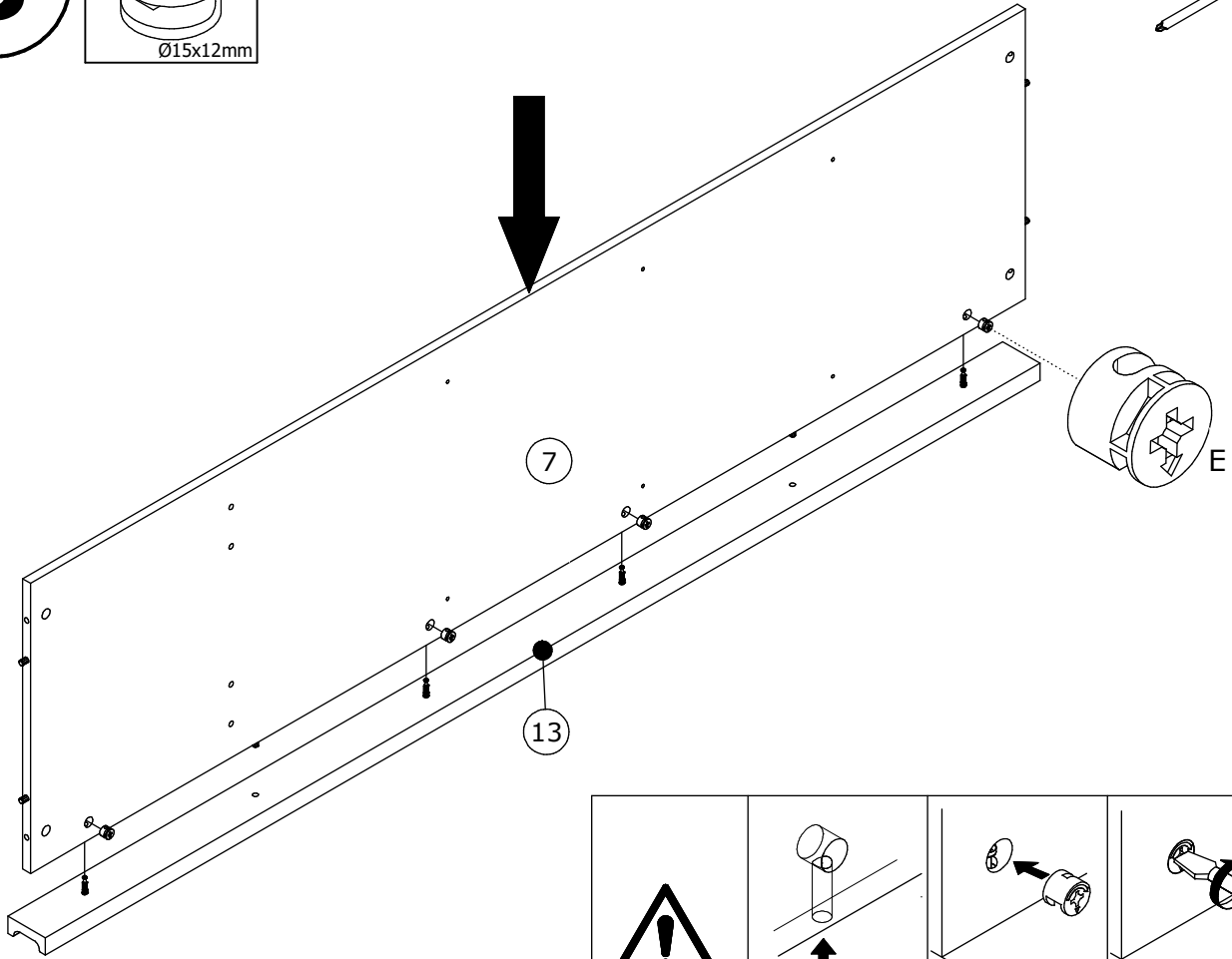
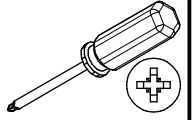
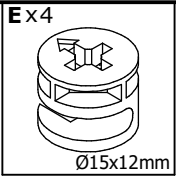
1



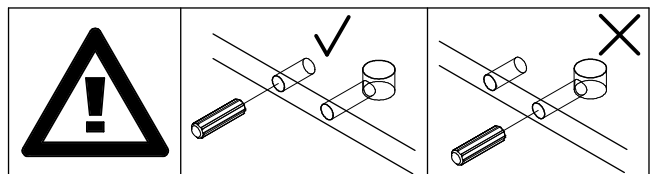
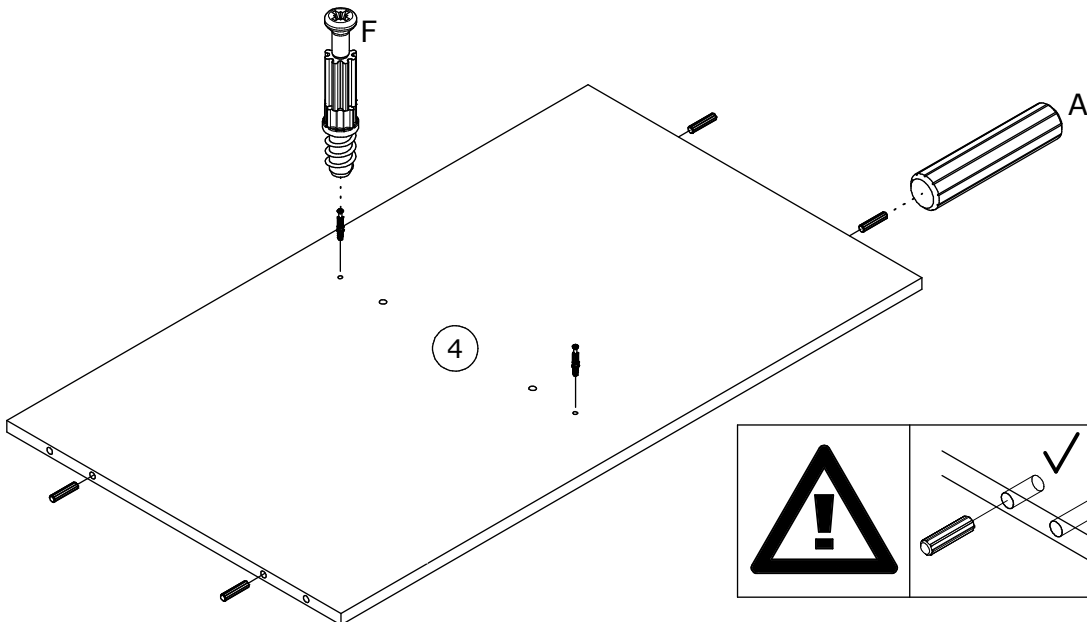
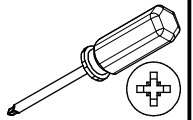
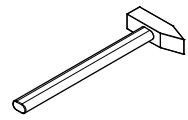
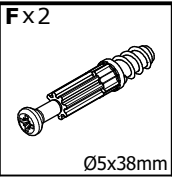
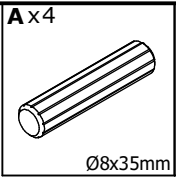
2



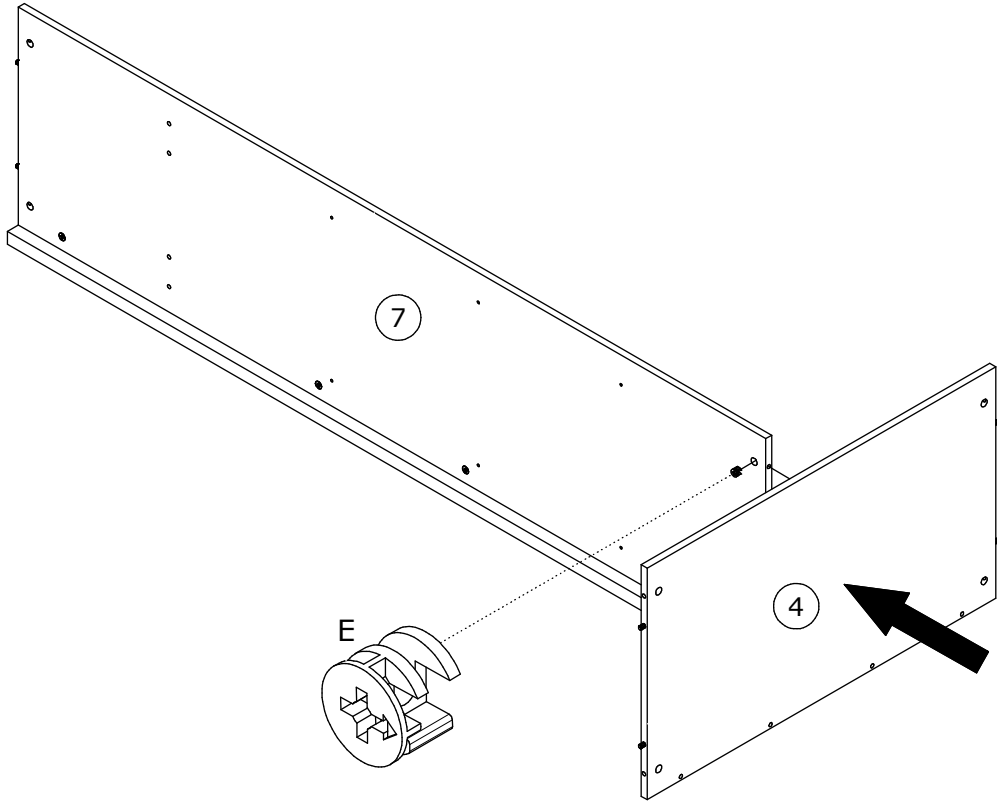
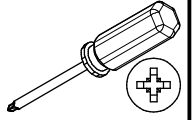
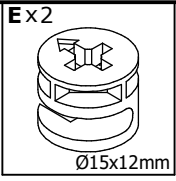
3



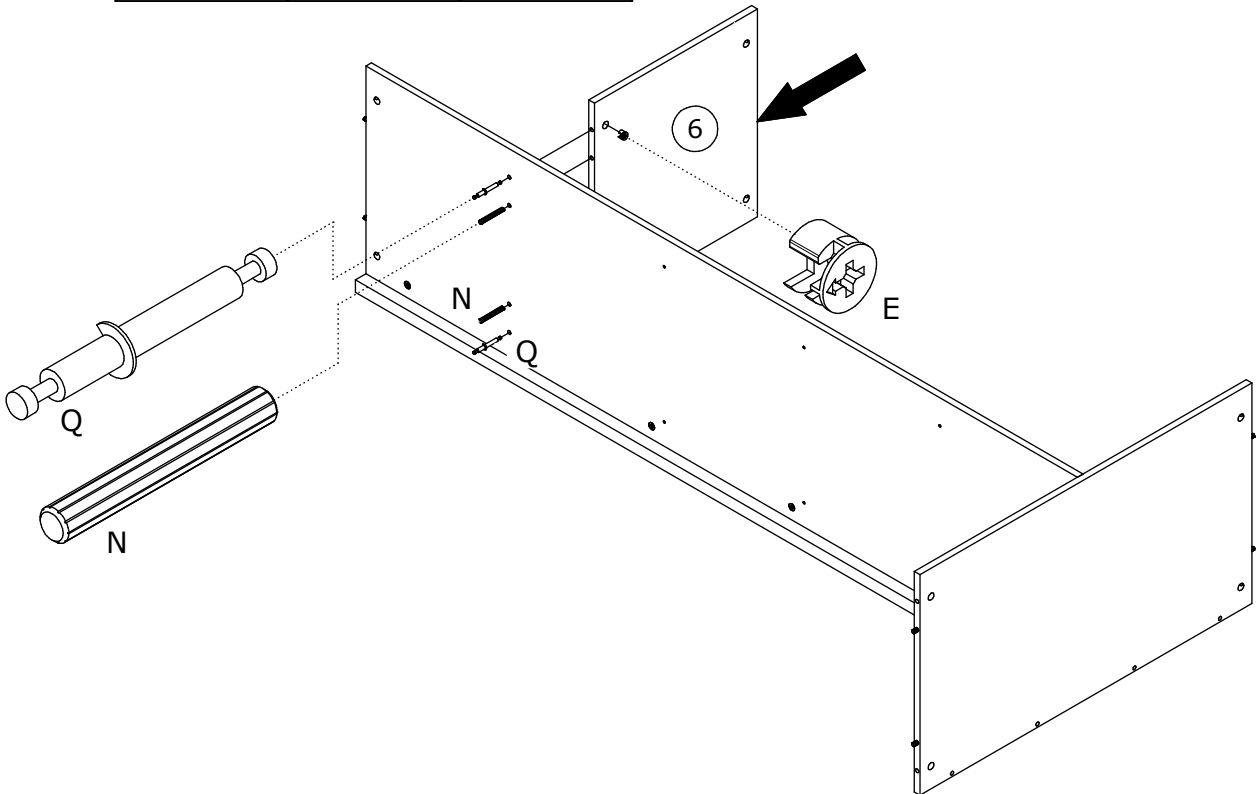
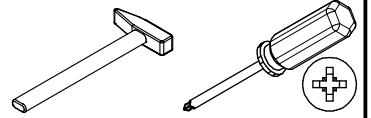
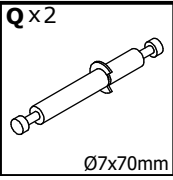
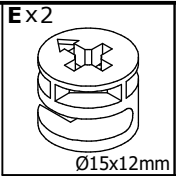
4



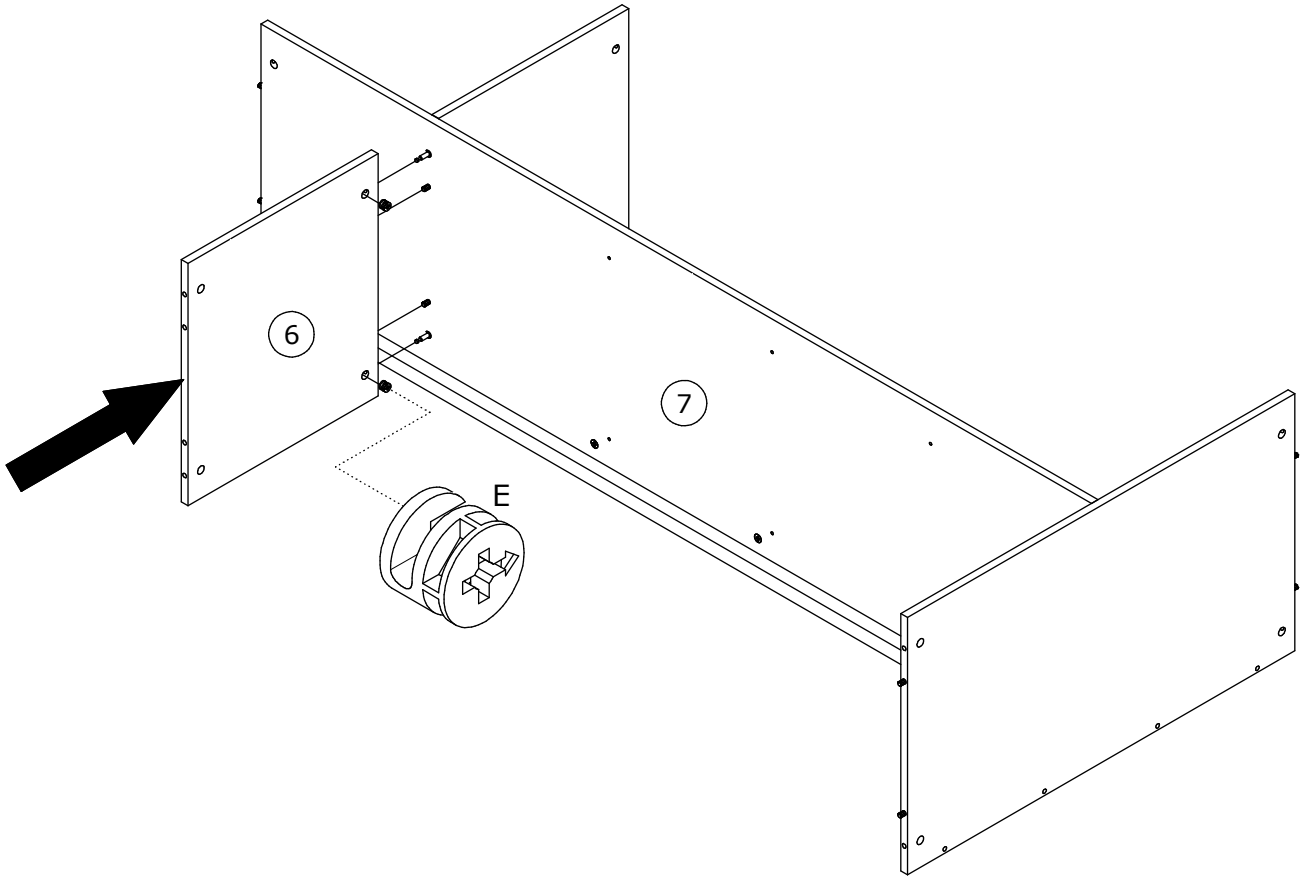
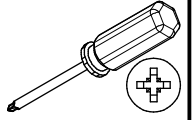
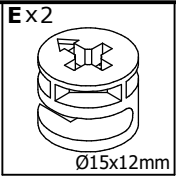
5



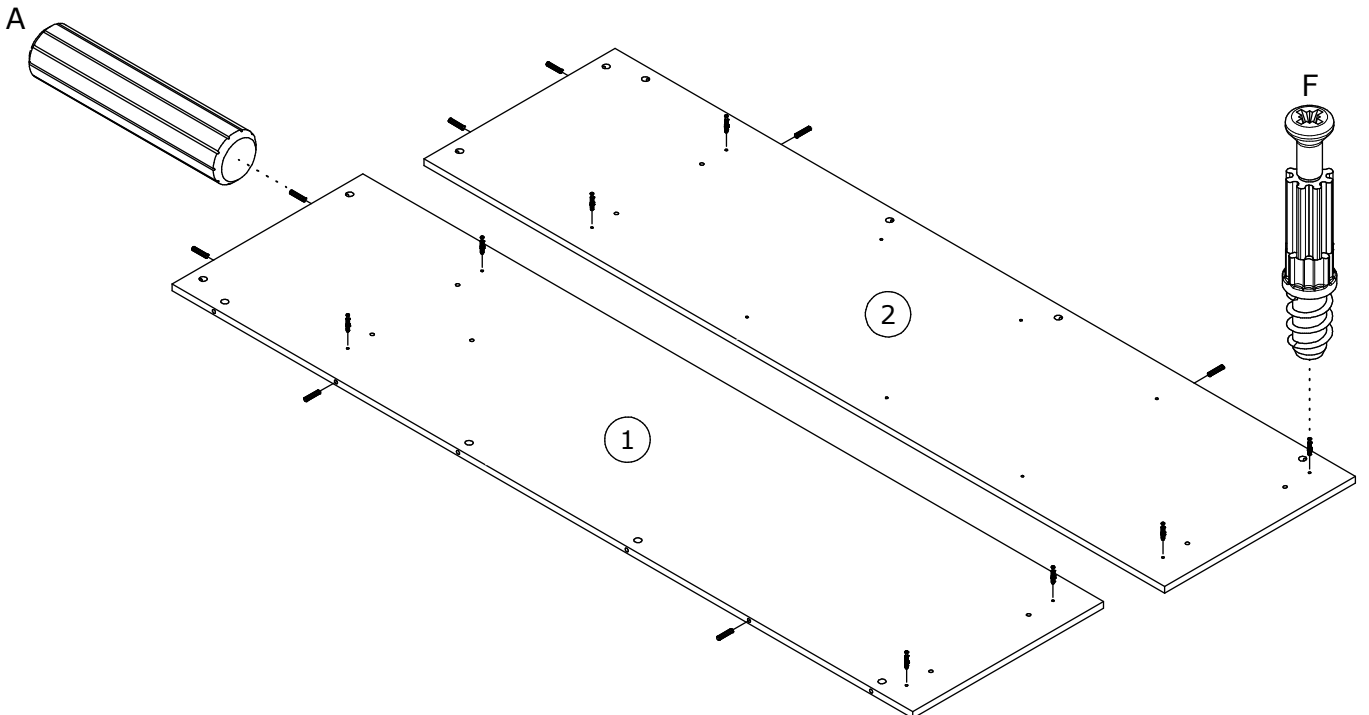
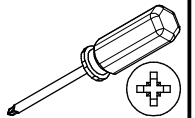
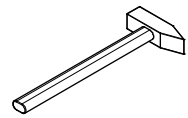
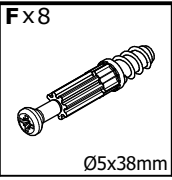
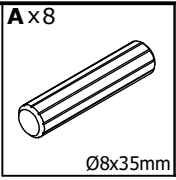
6



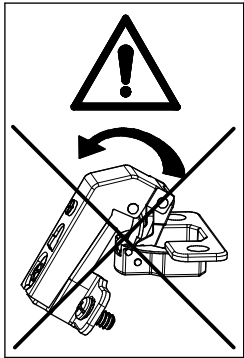
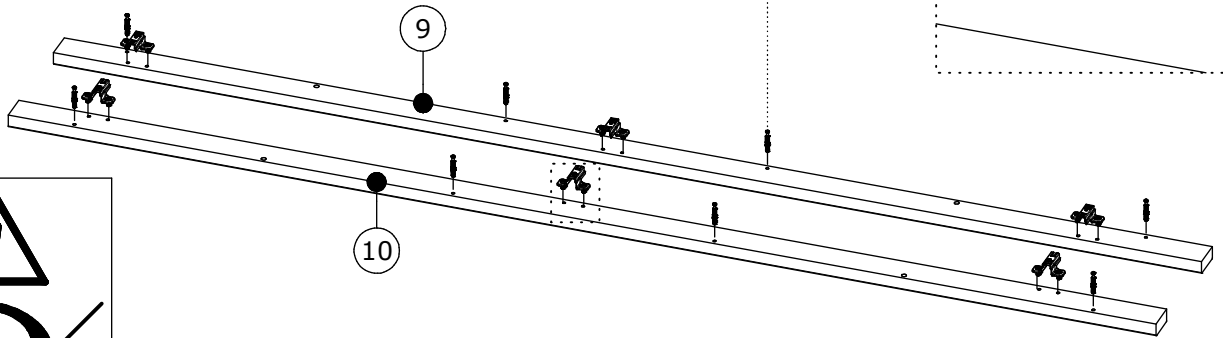
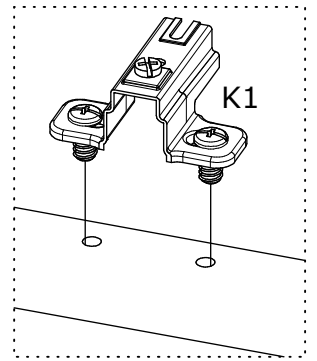
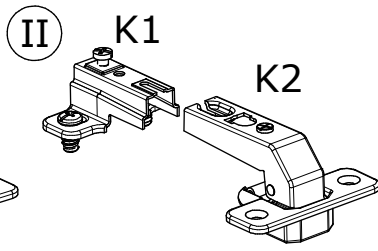
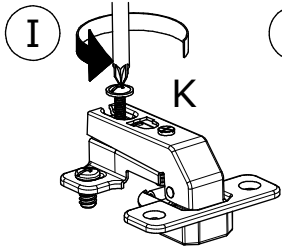
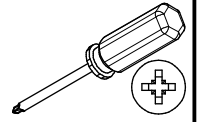
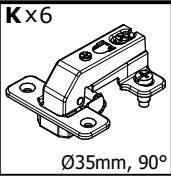
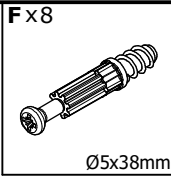
7



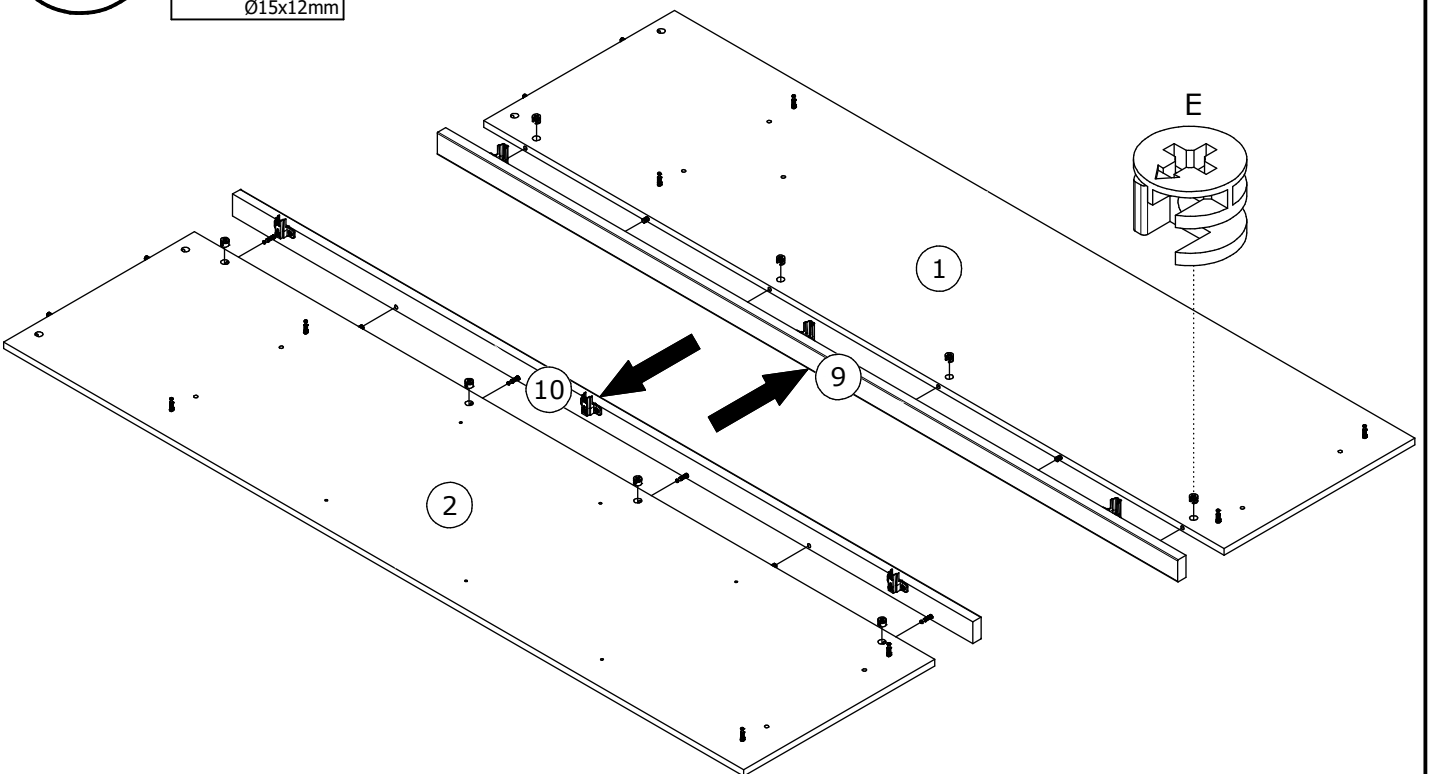
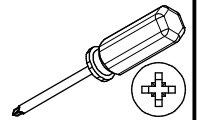
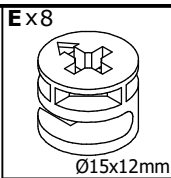
8



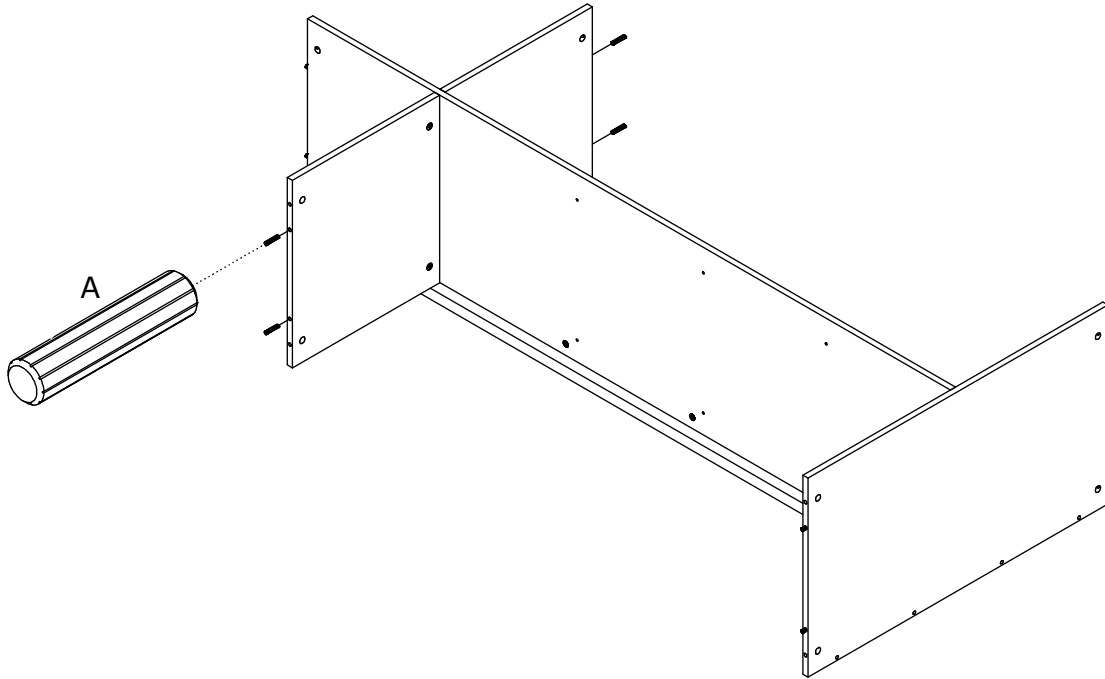
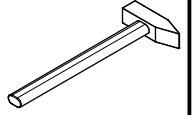
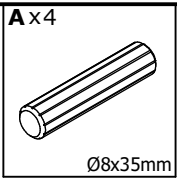
9



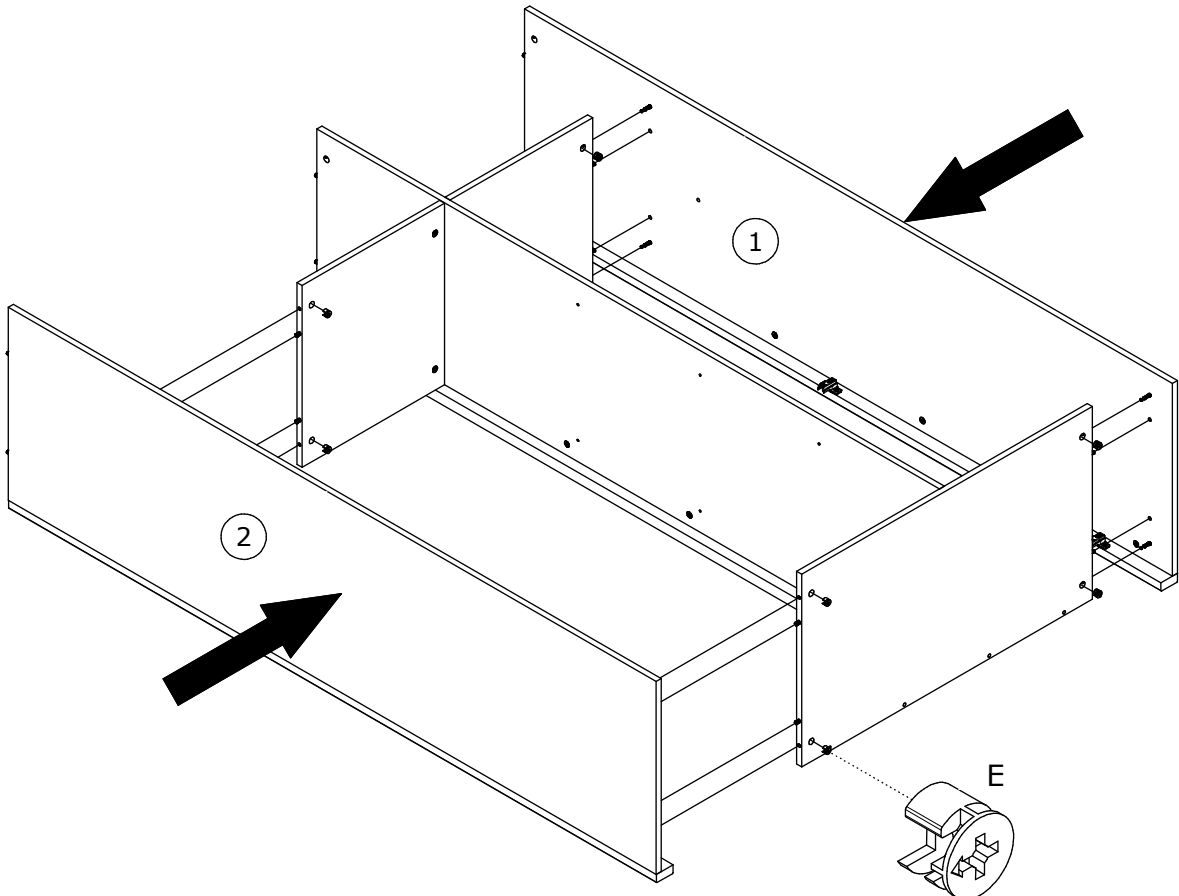
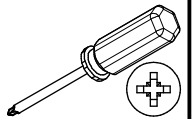
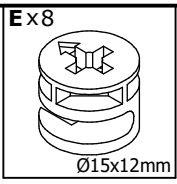
10



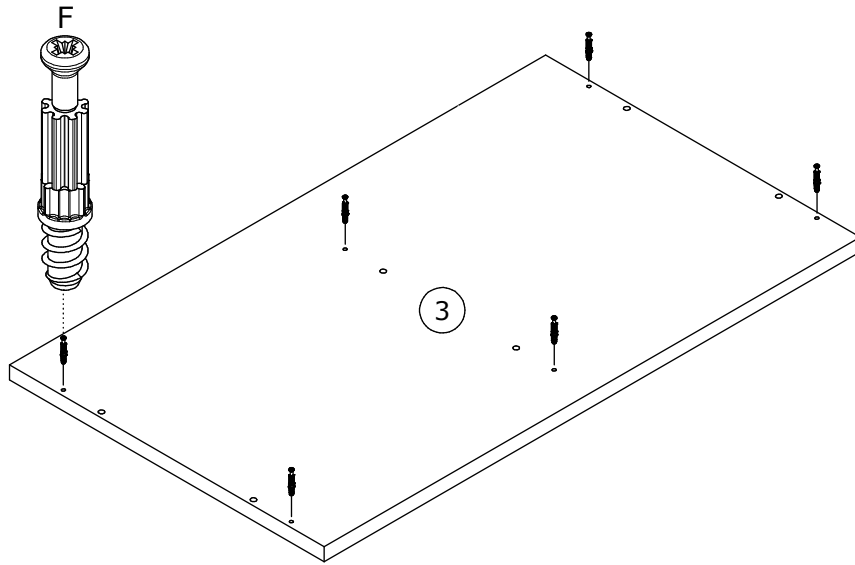
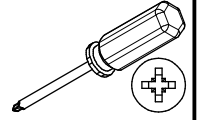
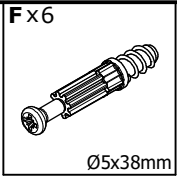
11



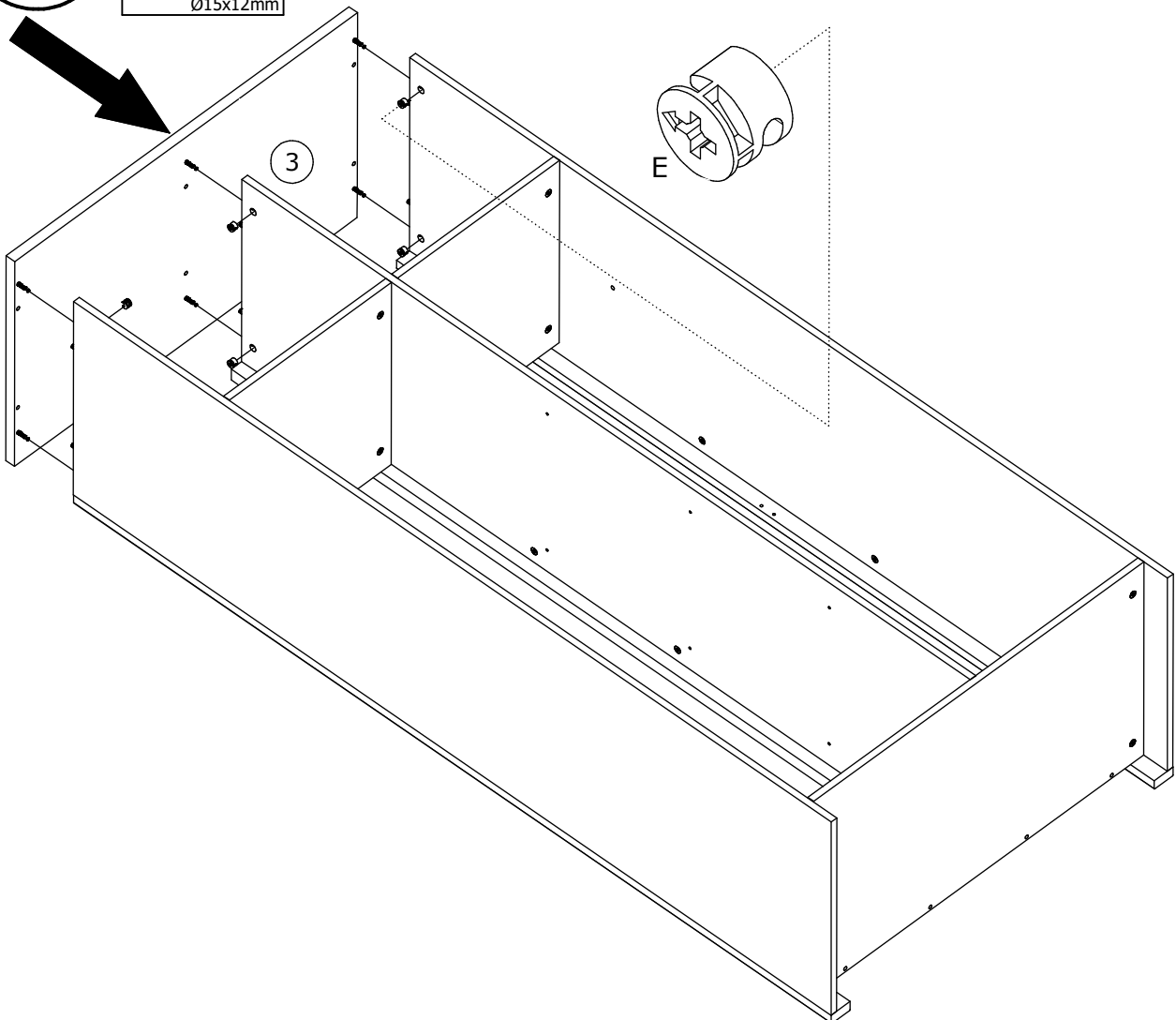
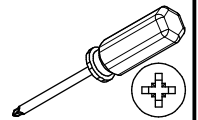
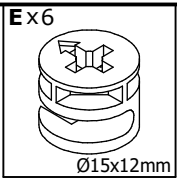
12



13

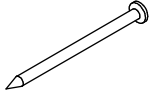


14



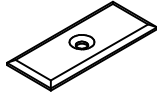
15

Hx54

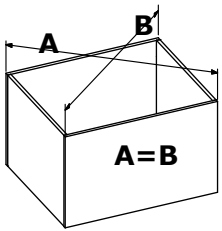
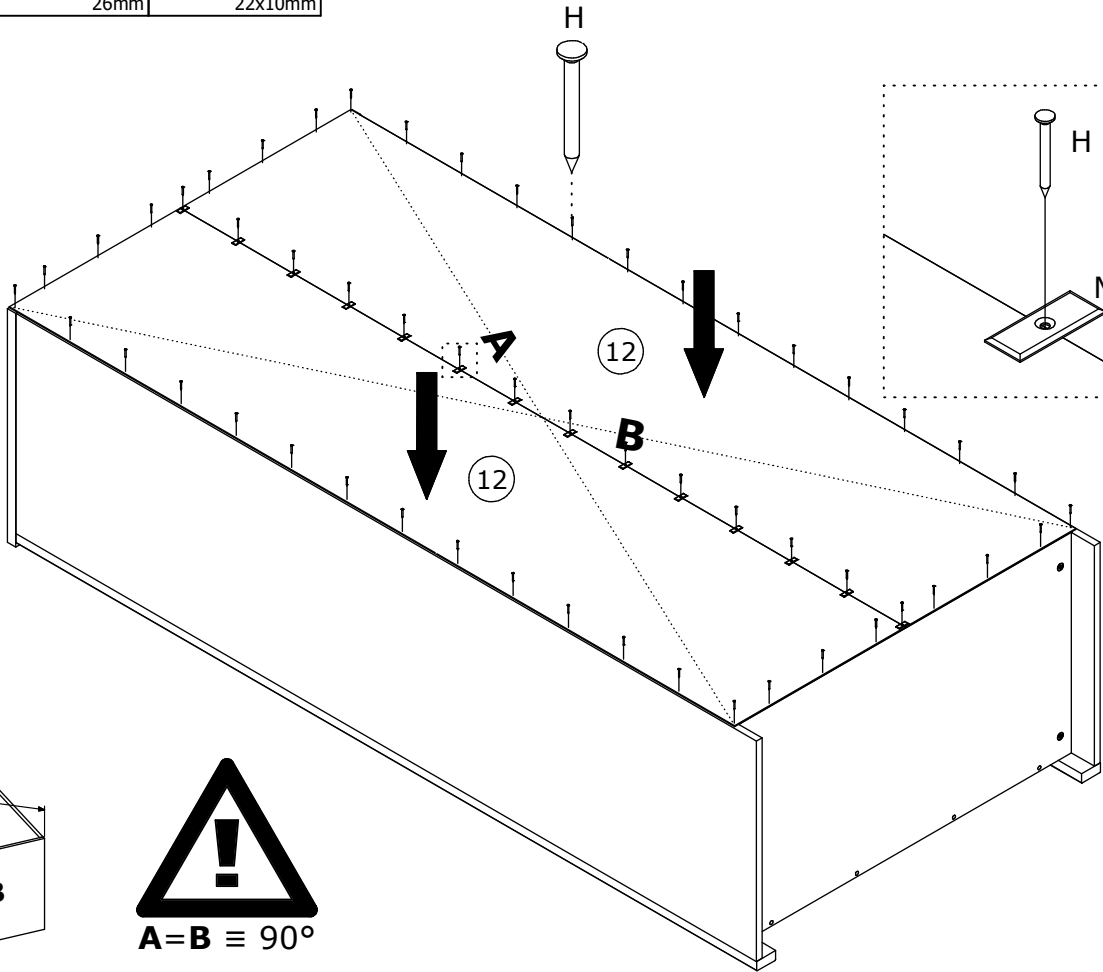
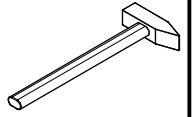
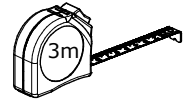


26mm

Mx14



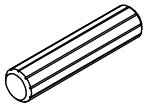
22x10mm



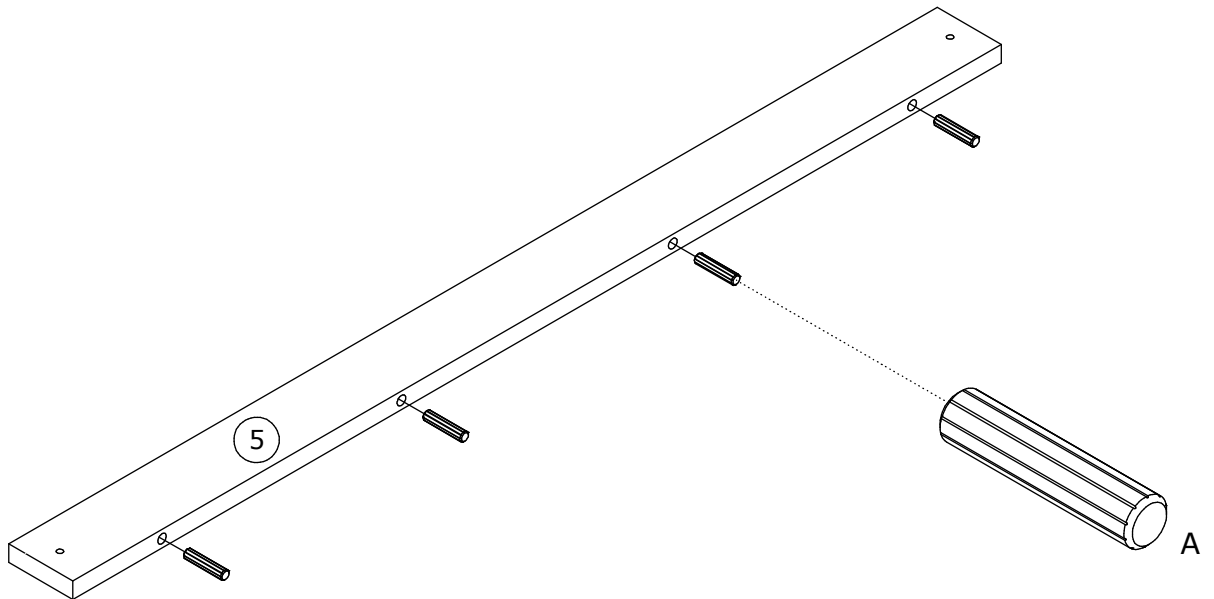
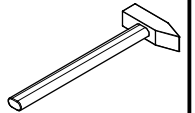
$A=B \equiv 90^\circ$

16

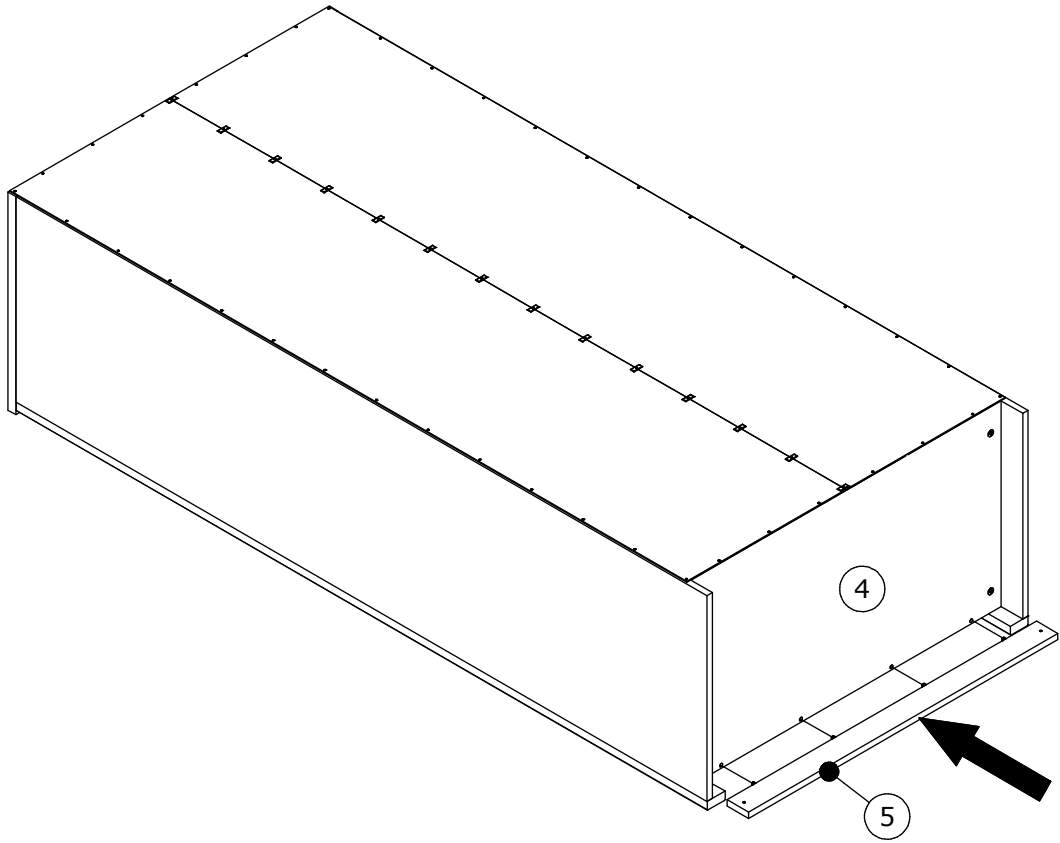
Ax4



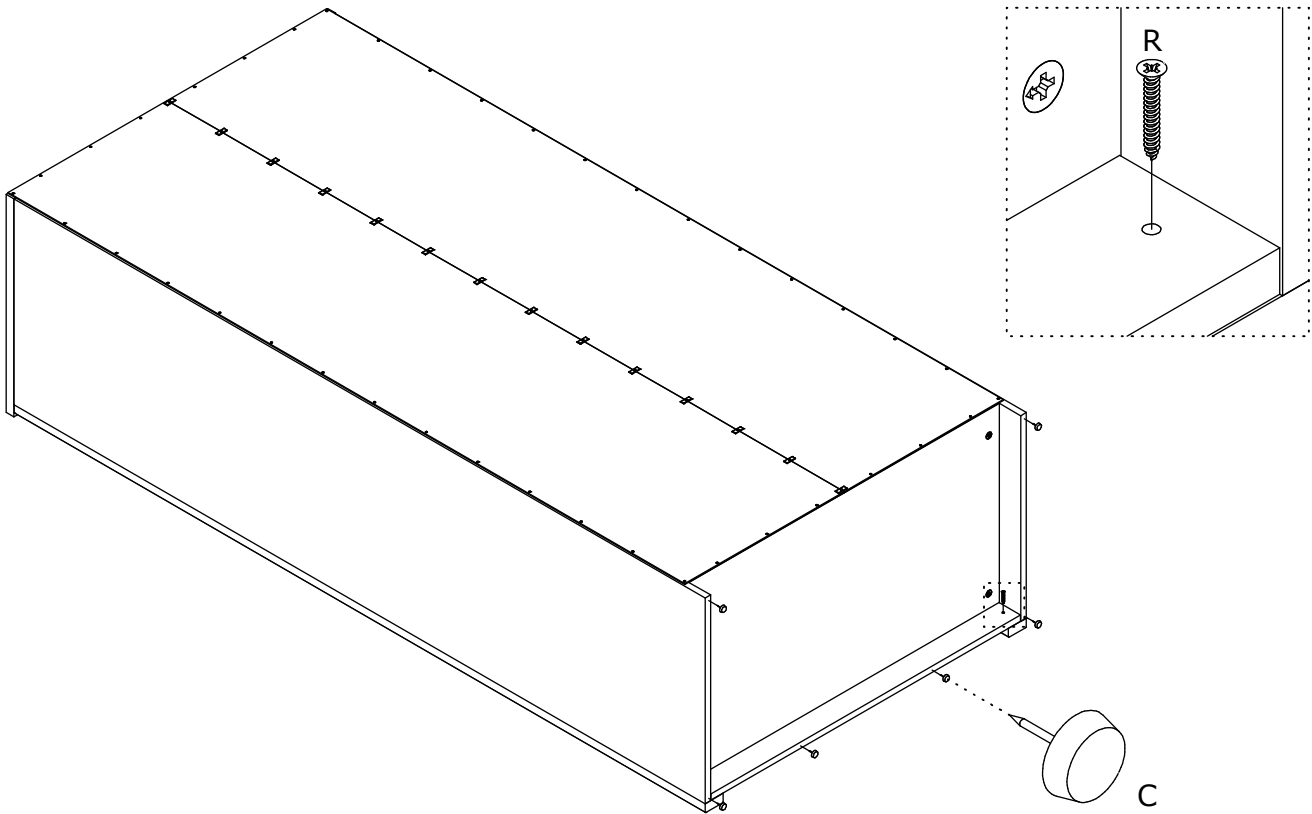
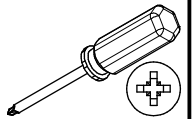
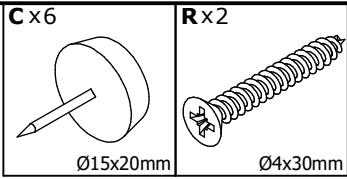
Ø8x35mm



17

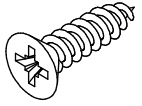


18



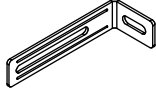
19

B x 4

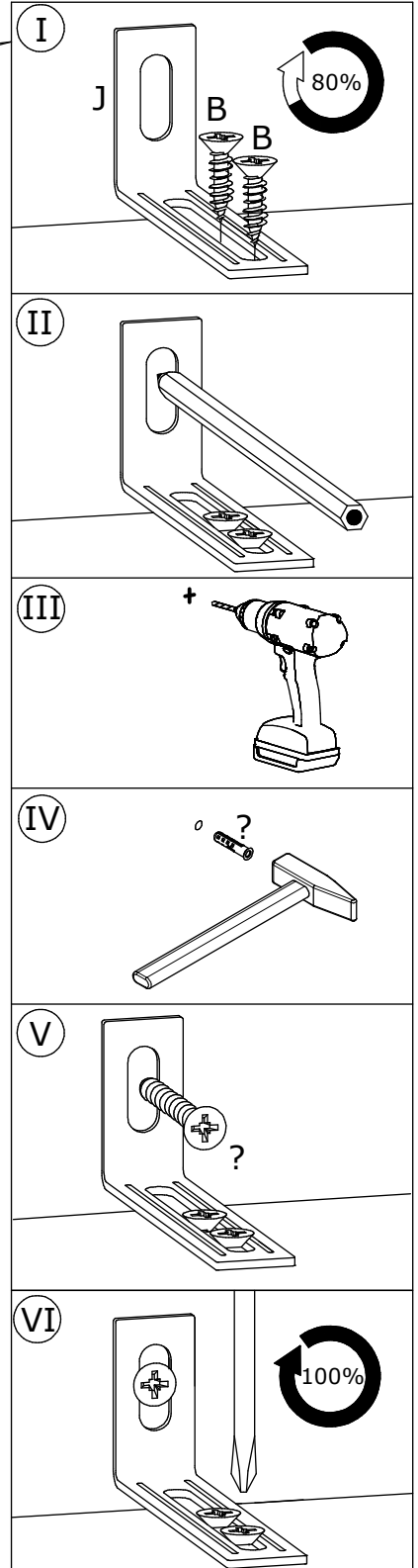
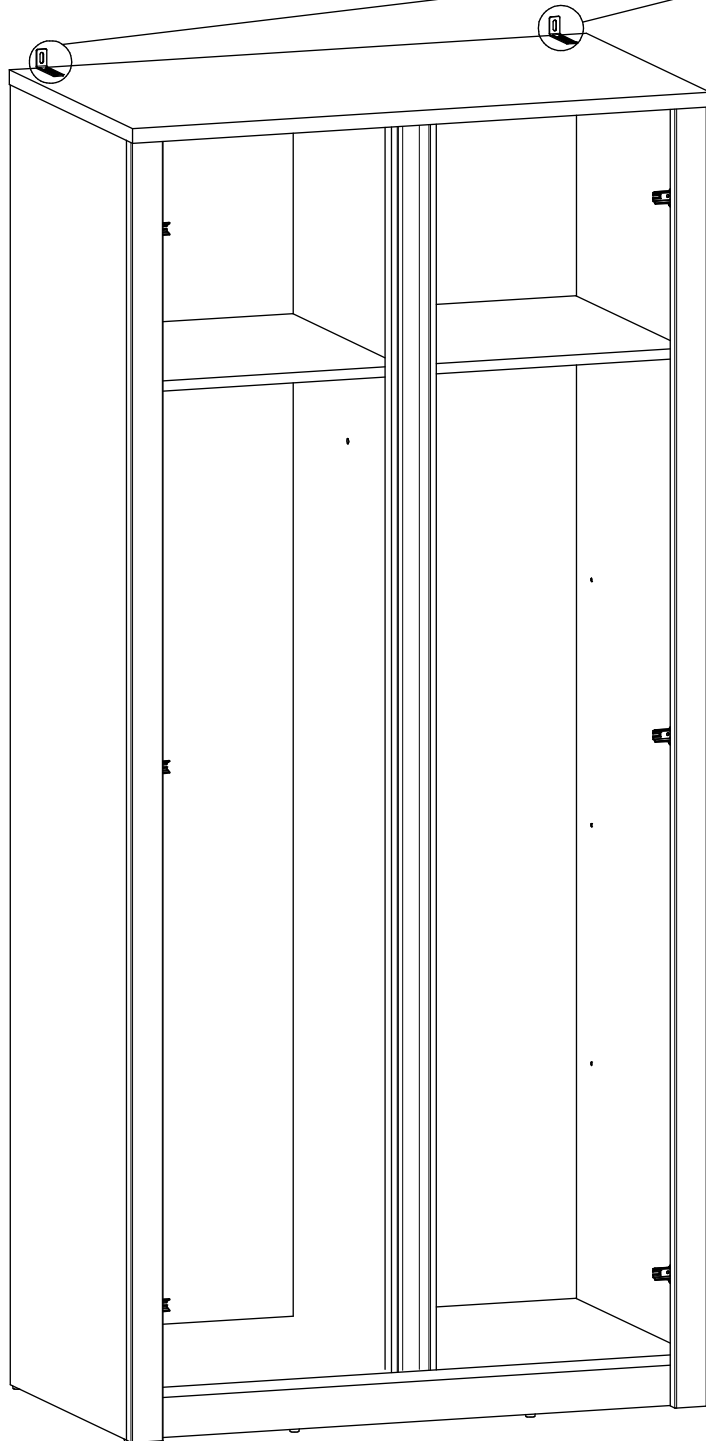
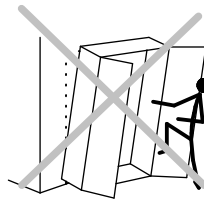
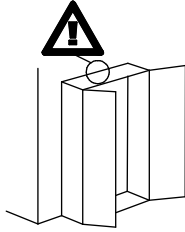
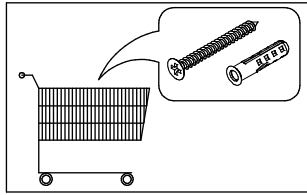
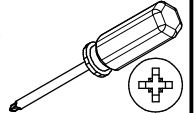
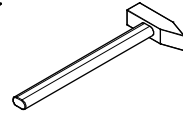
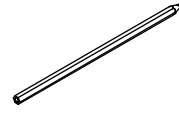


Ø3,5x16mm

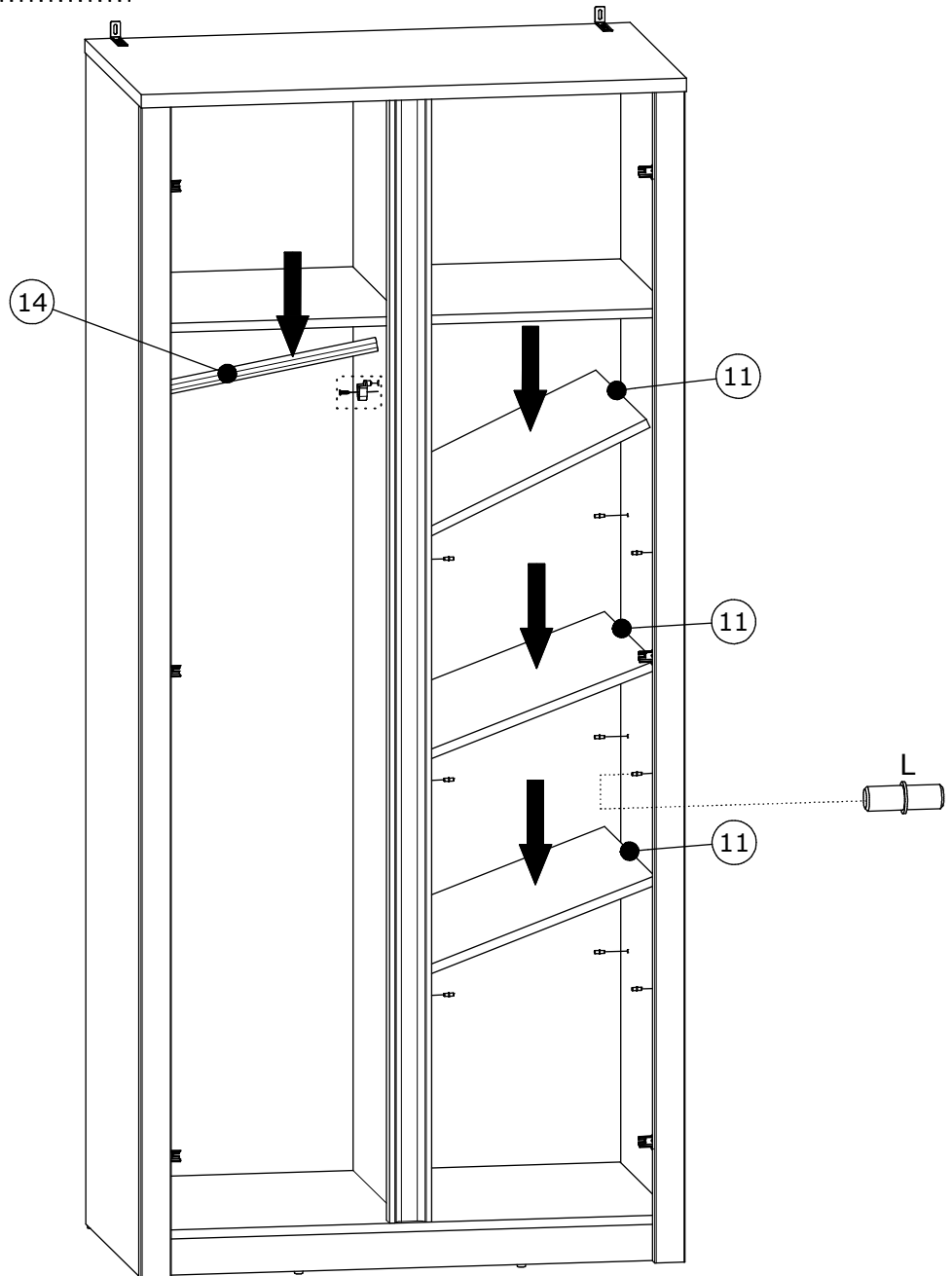
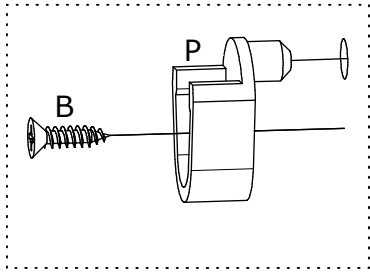
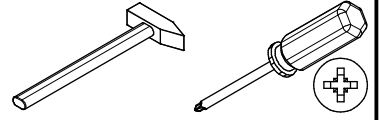
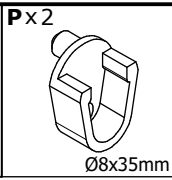
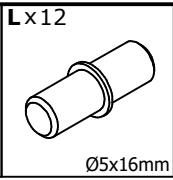
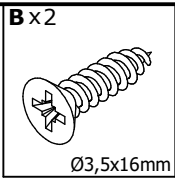
J x 2



75x28x16 mm

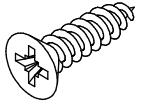


20



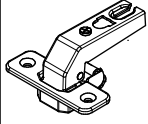
21

B x 12

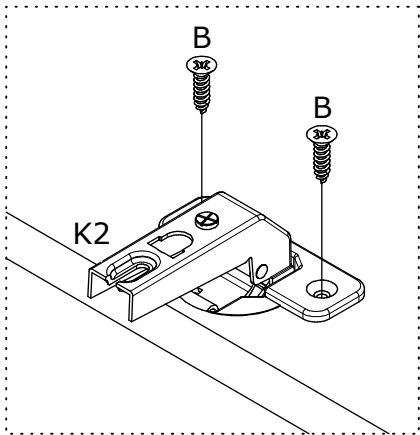
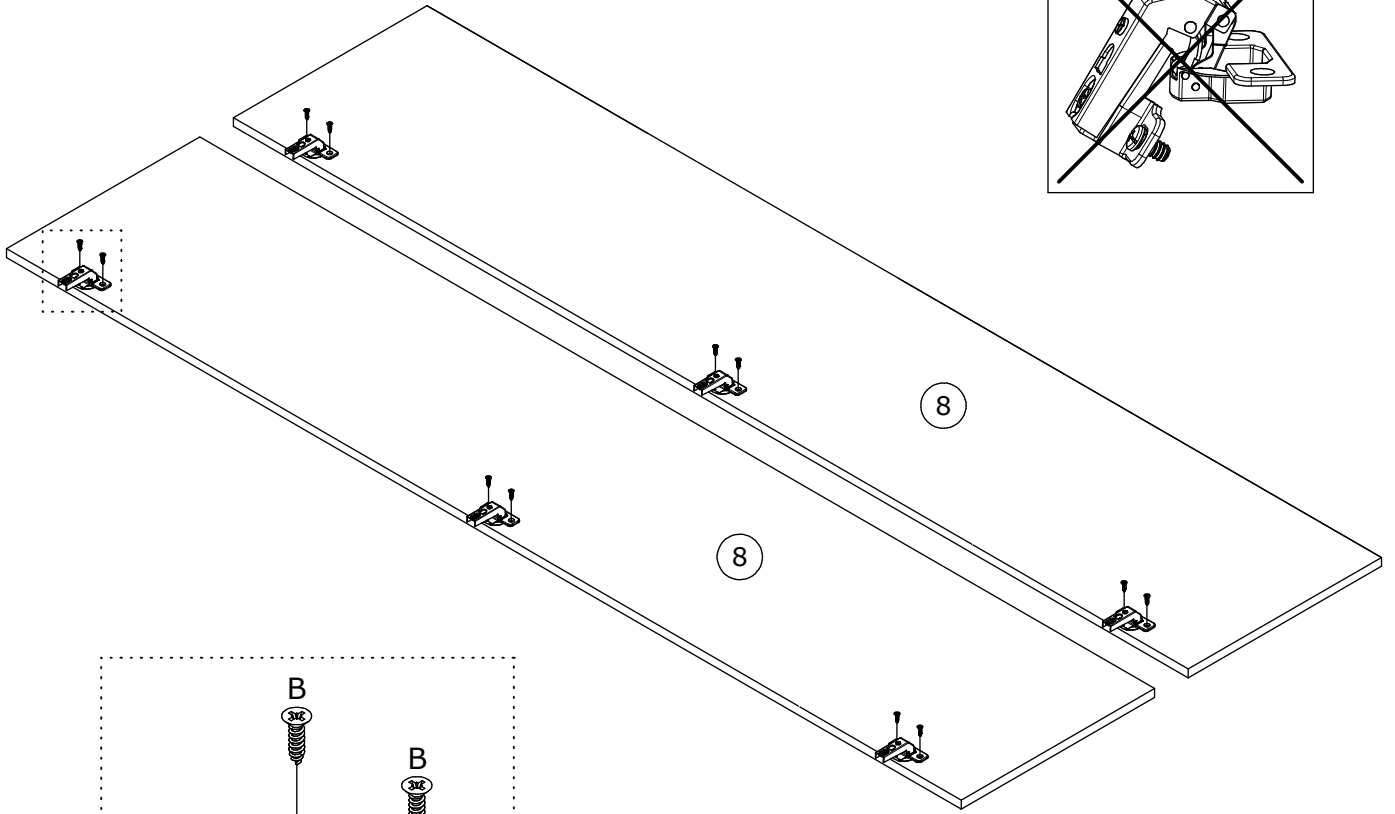
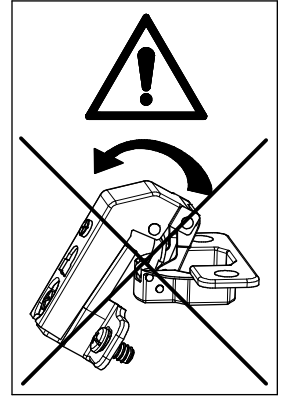
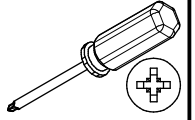


Ø3,5x16mm

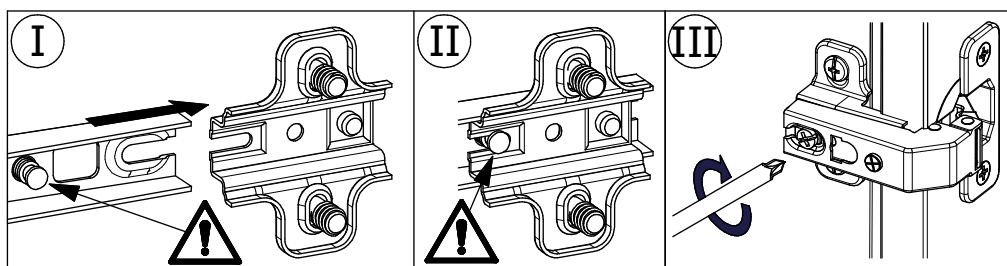
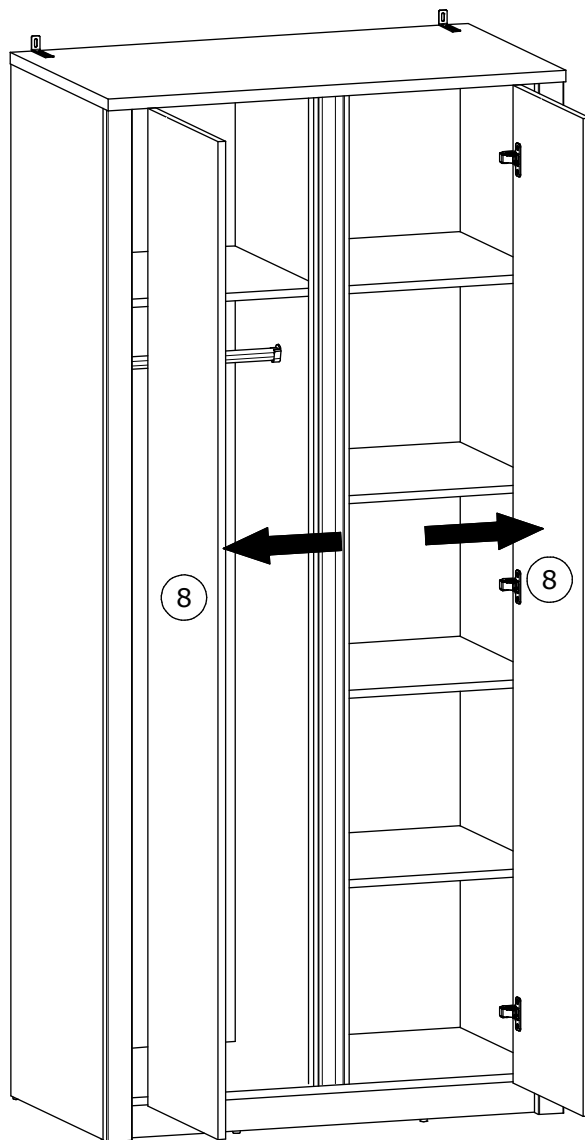
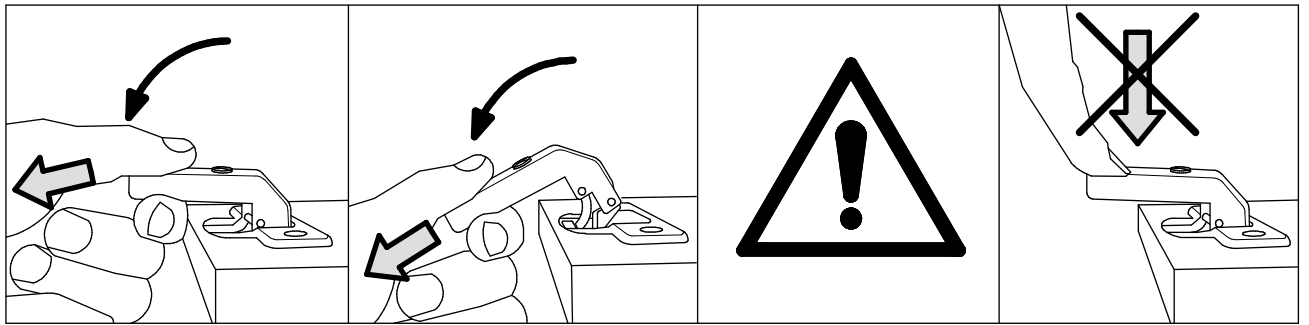
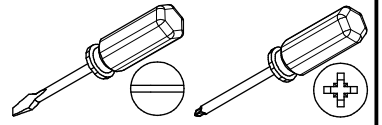
K2 x 6



Ø35mm, 90°

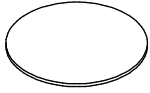


22



23

Dx28



Ø21mm

Øx4



Ø8x1,5mm

