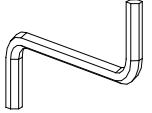

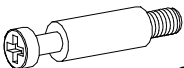

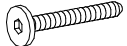




W2  x1	I7a  x7 ø18
--	--

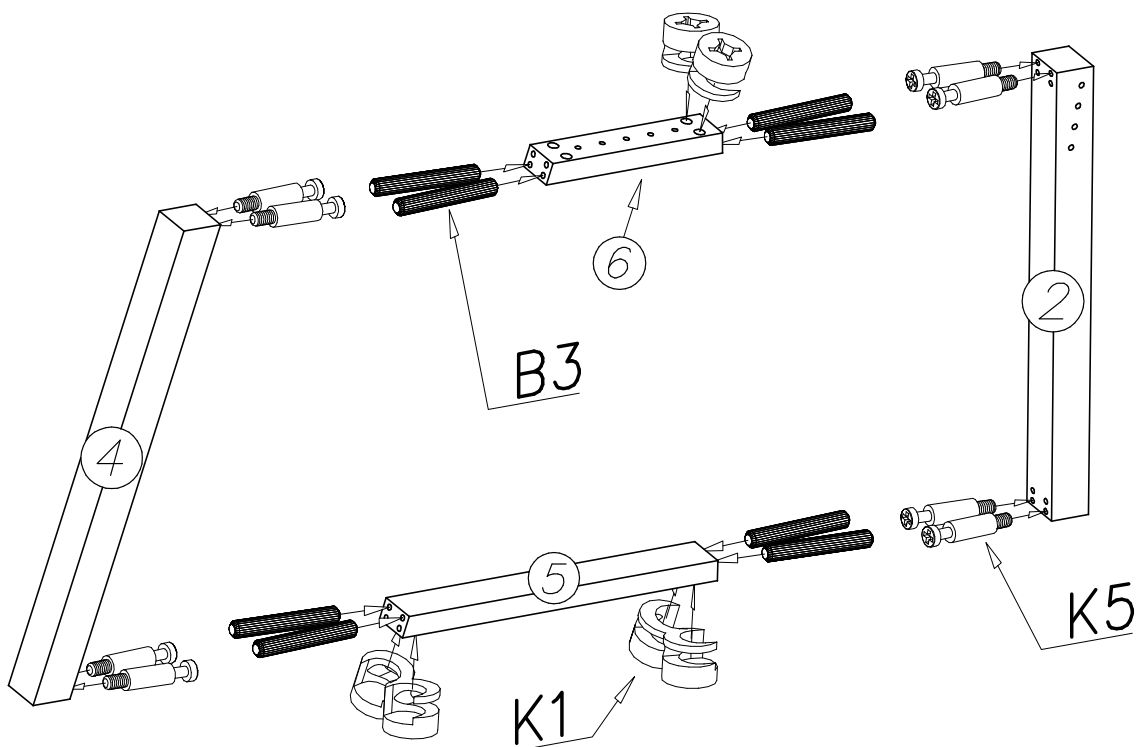
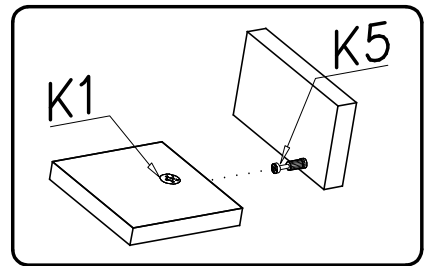
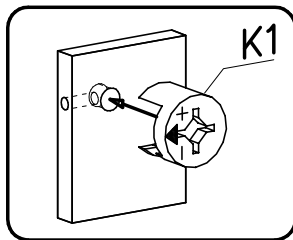
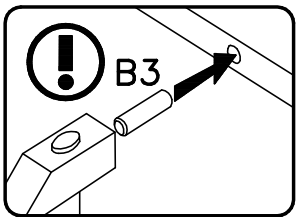
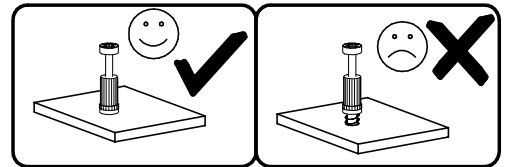
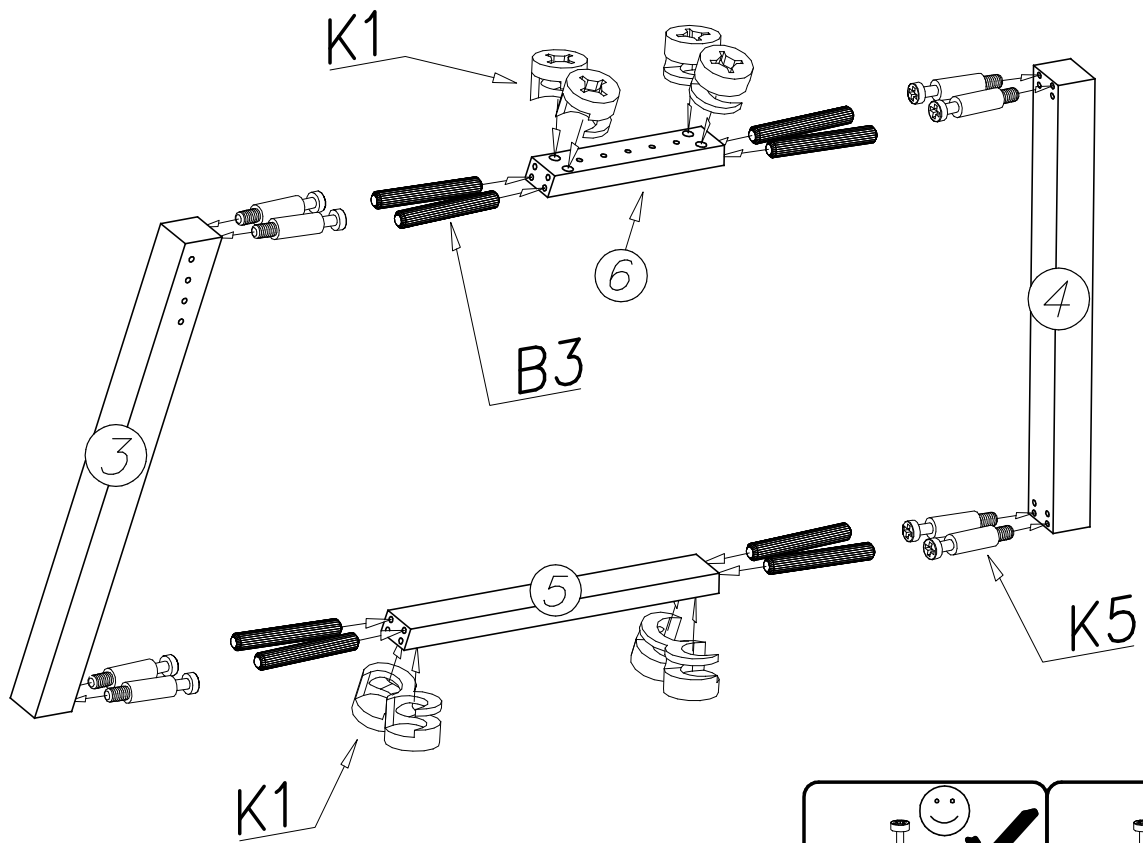
K5  x23	K1  x23 ø15x12
--	---

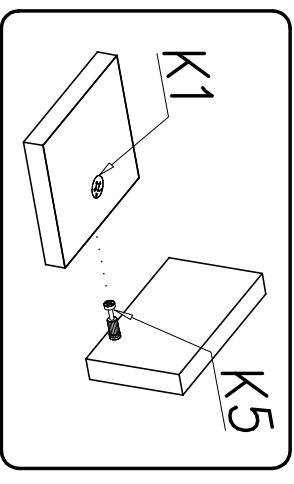
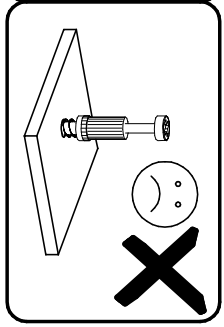
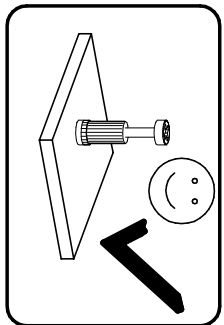
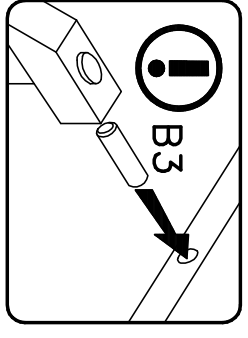
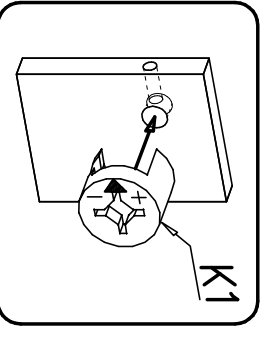
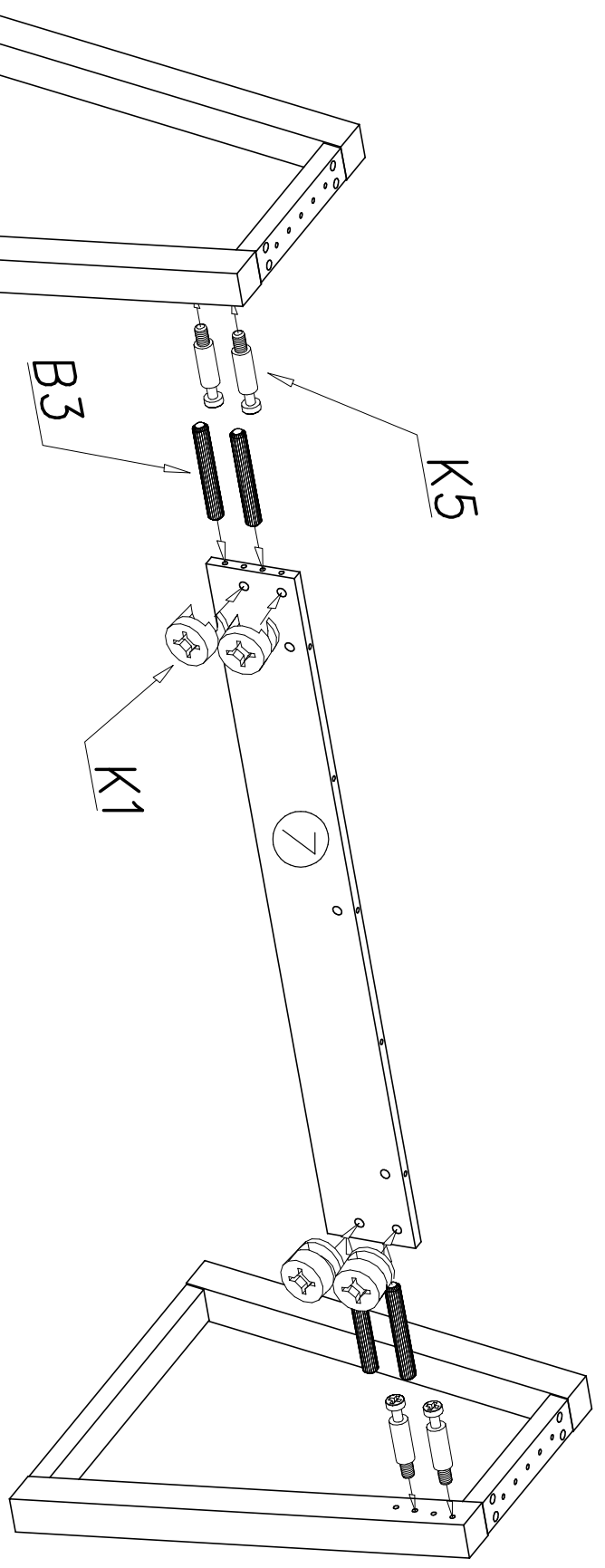
N31  x6 M8x50
--

B3  x20 ø8x50
--

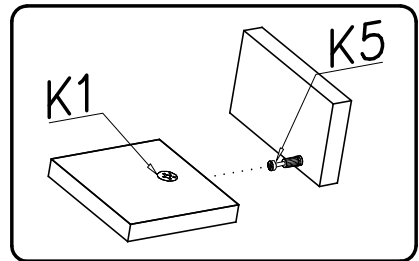
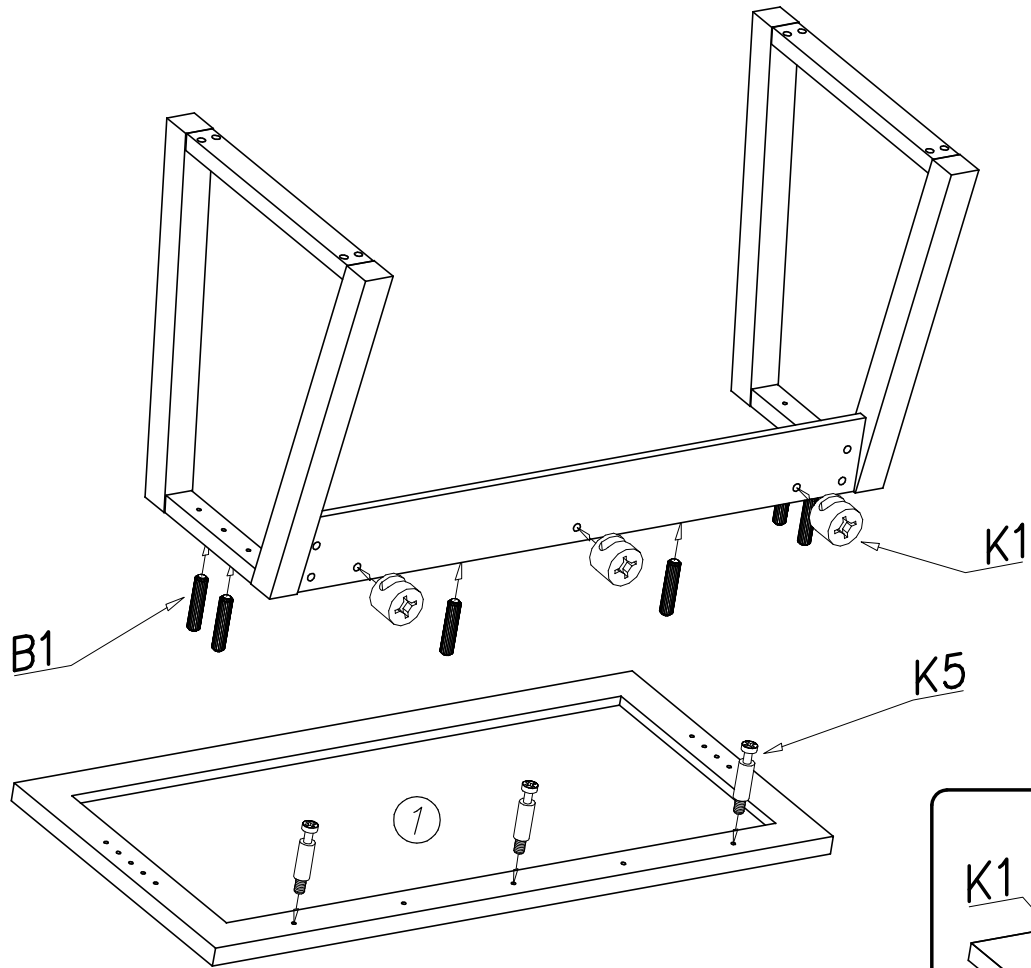
B1  x6 ø8x35

I

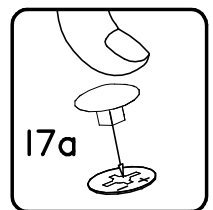
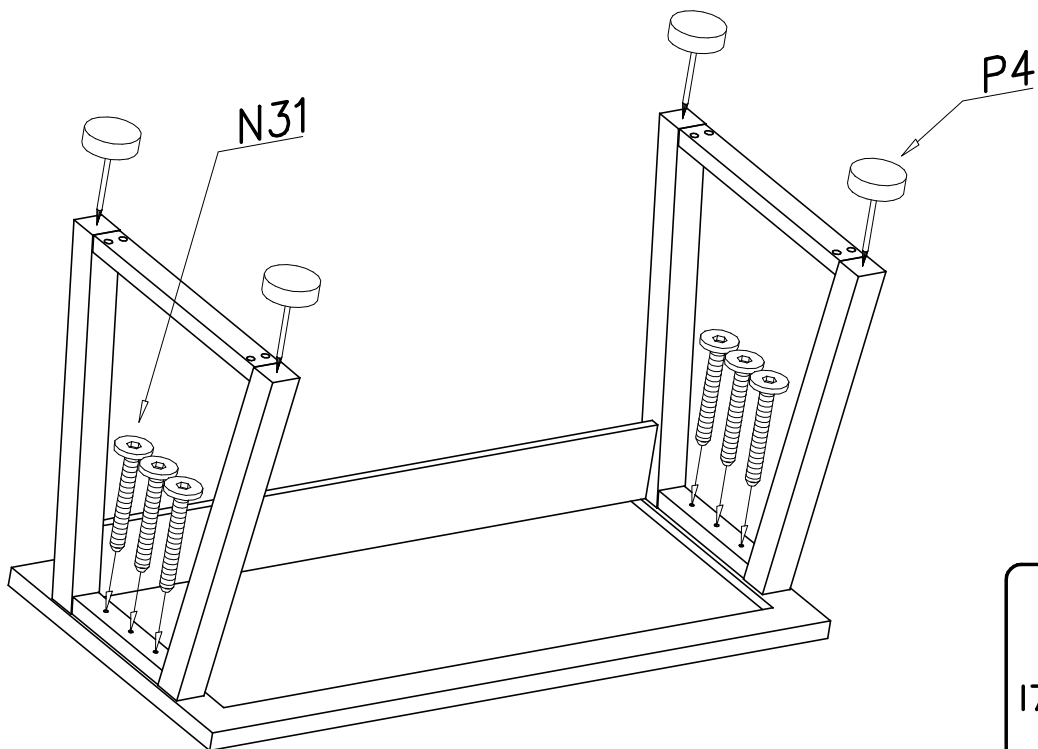


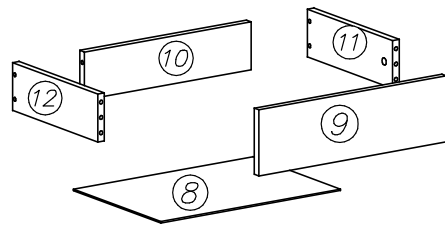
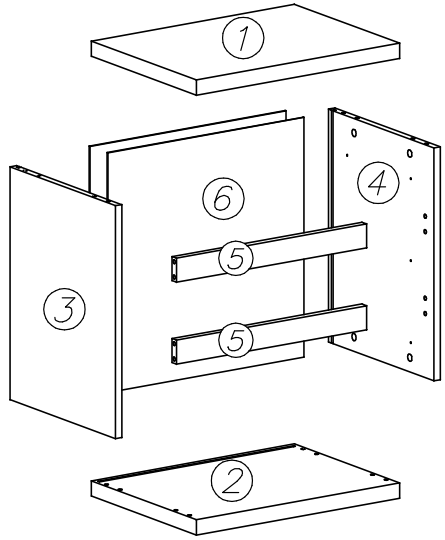
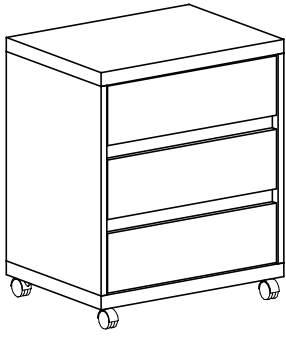
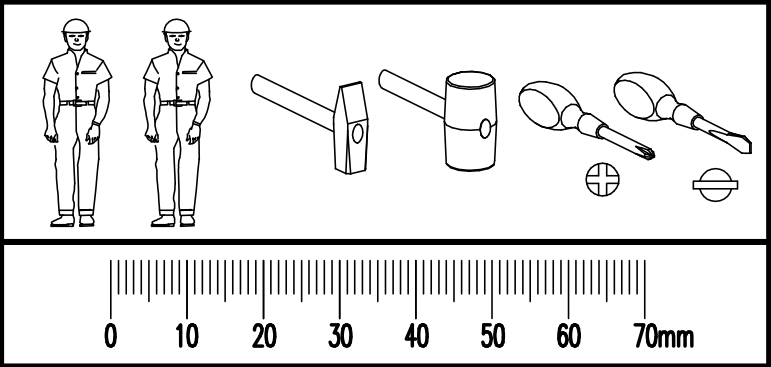
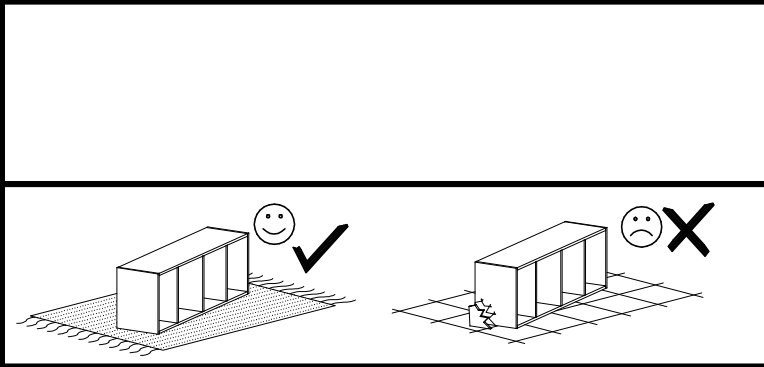


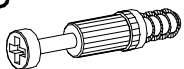

III




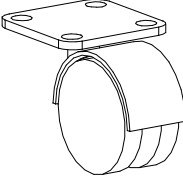
IV




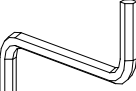


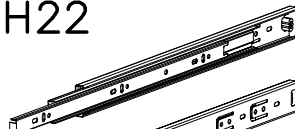
K5  **x14** **G21**  **3x16** **x42**


G34  **3,5x16** **x 28**

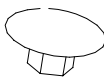
P7  **x4**


K1  **ø15x13,2** **x14**

W2  **4mm** **x1**

H22  **x3**

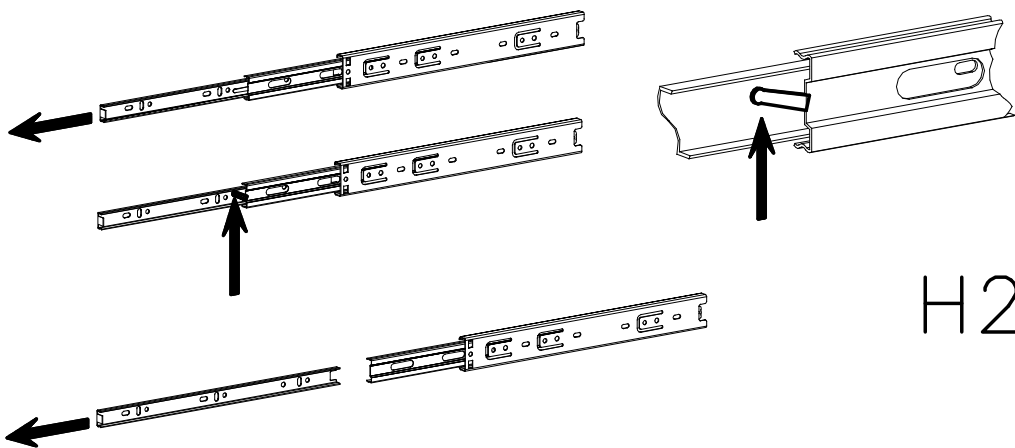
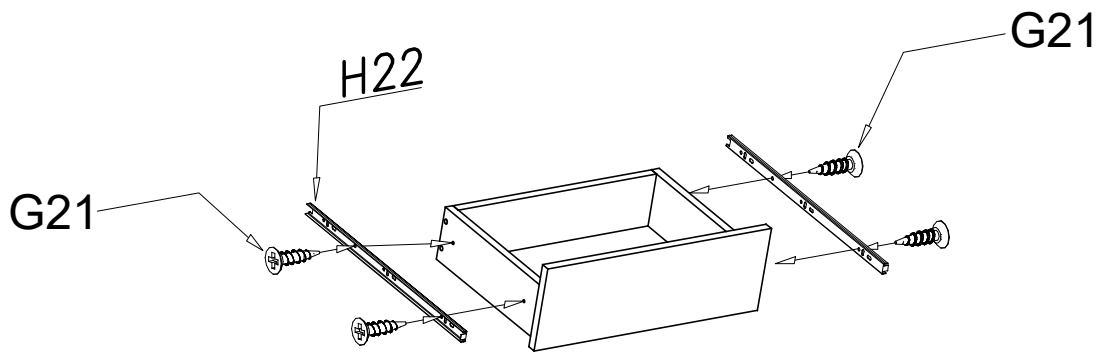
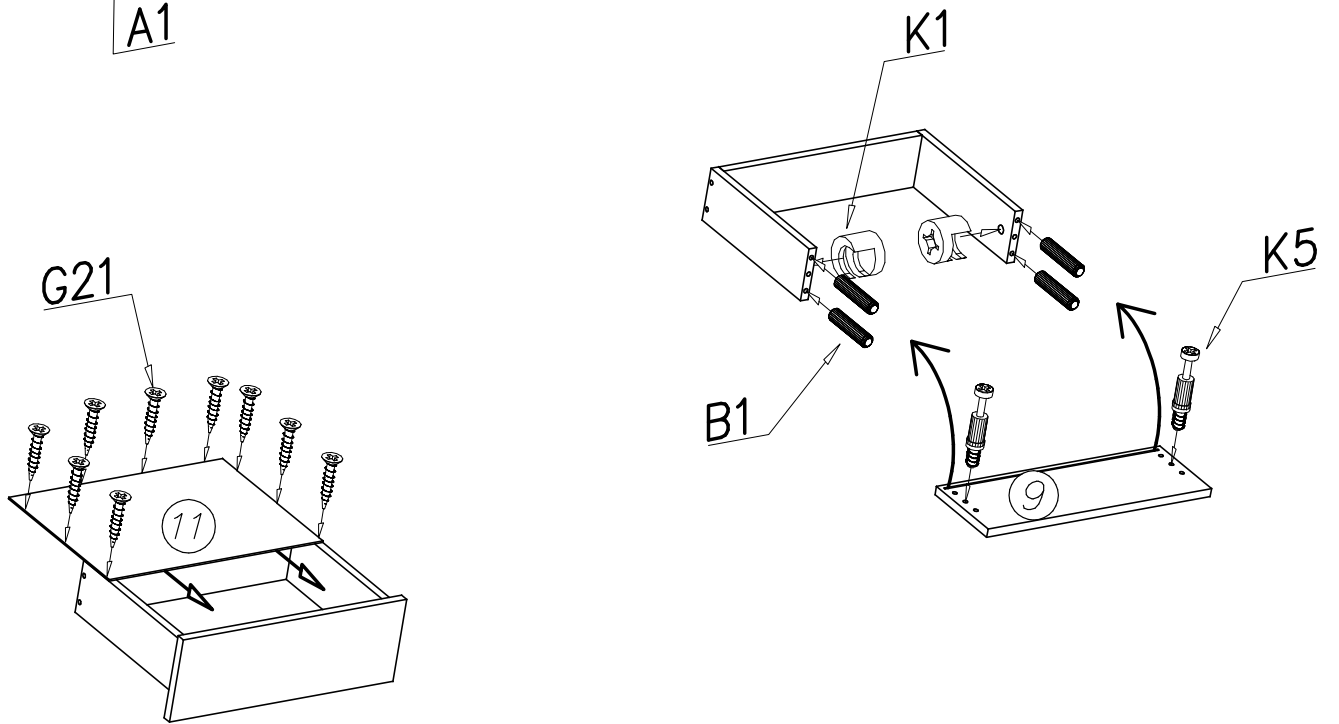
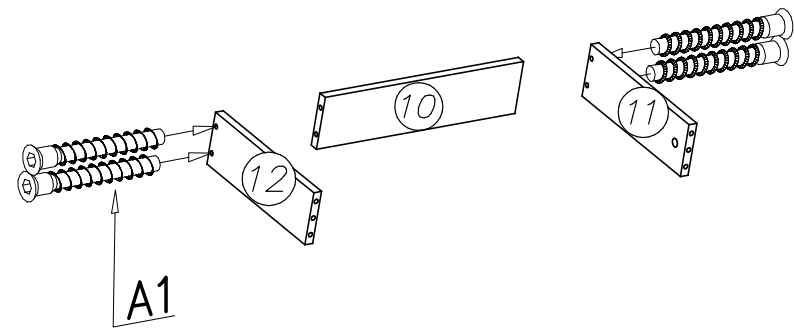
A1  **ø7x50** **x12**

I7  **ø18** **x14**

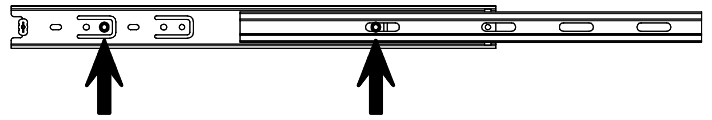
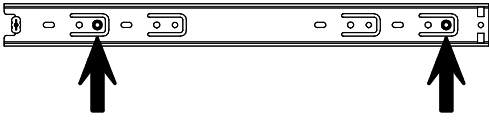
B1  **ø8x35** **x28**

x3

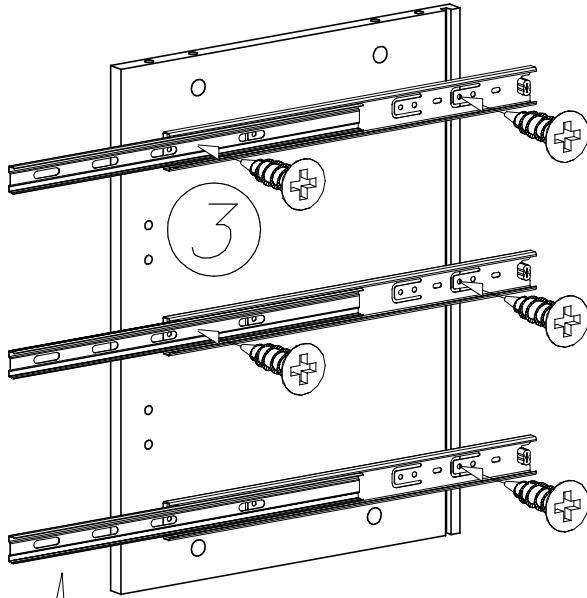
1



H22

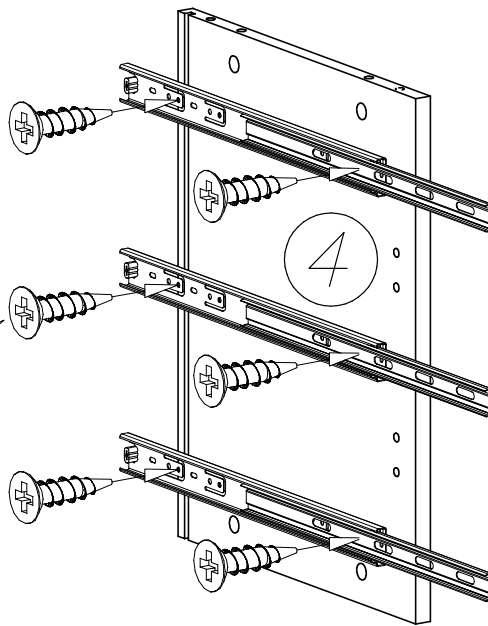


2



G34

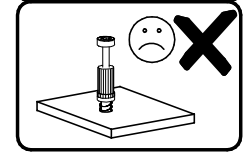
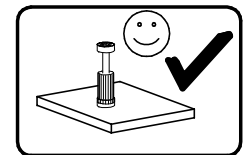
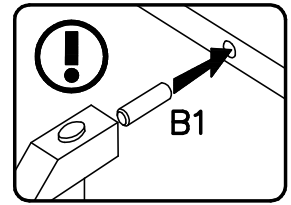
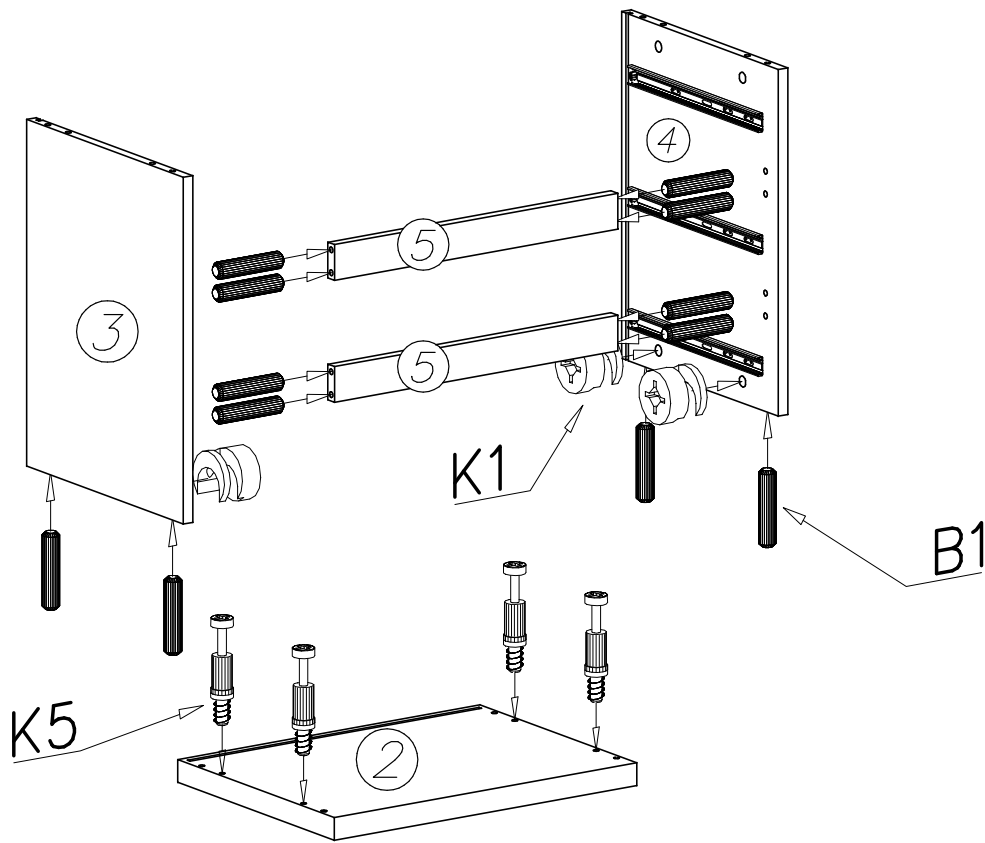
H22



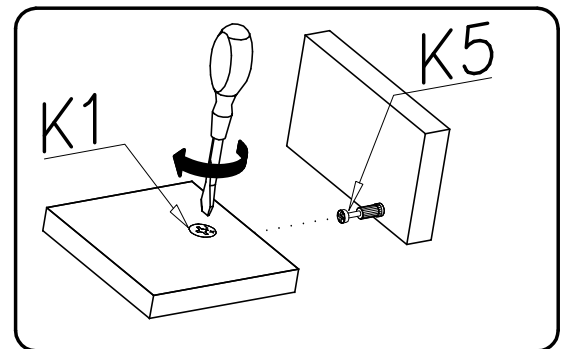
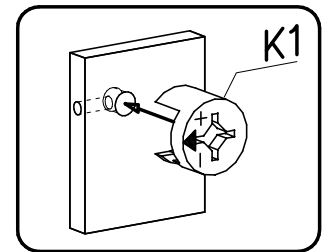
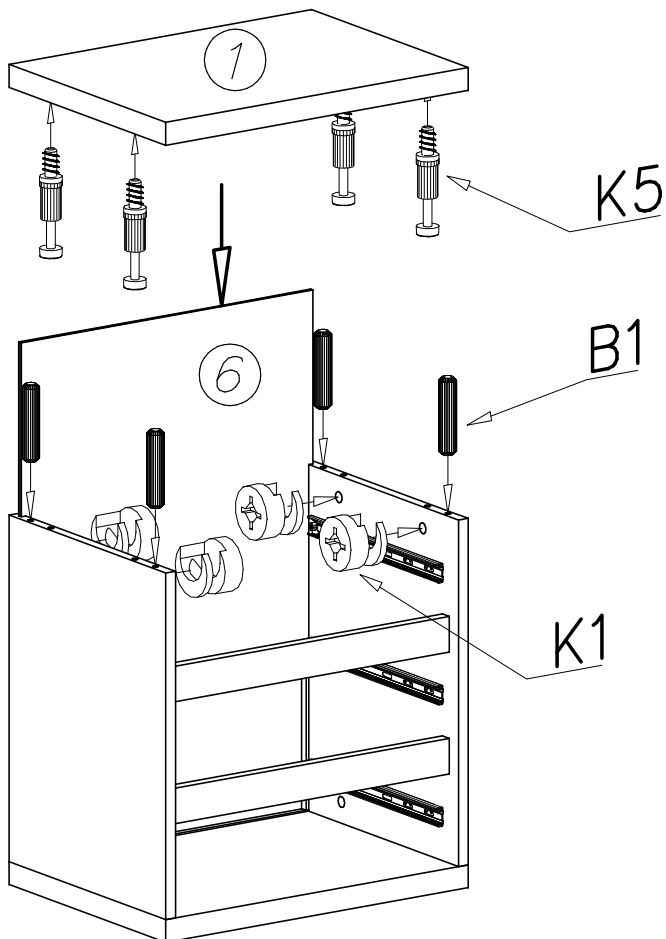
H22

G34

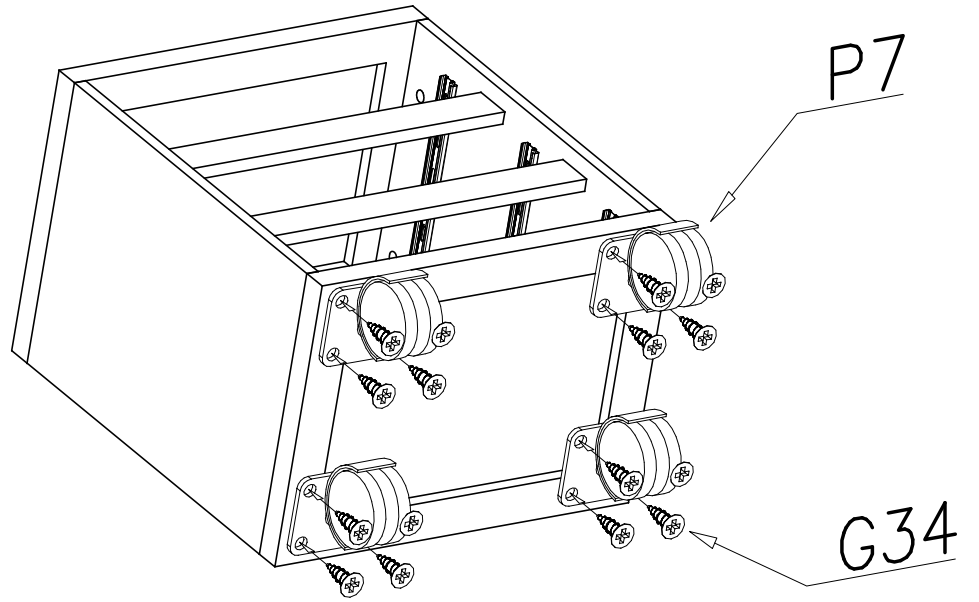
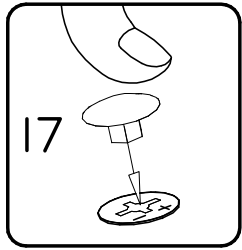
3



4



5



6

