



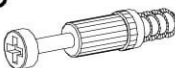





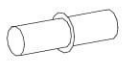



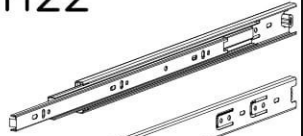


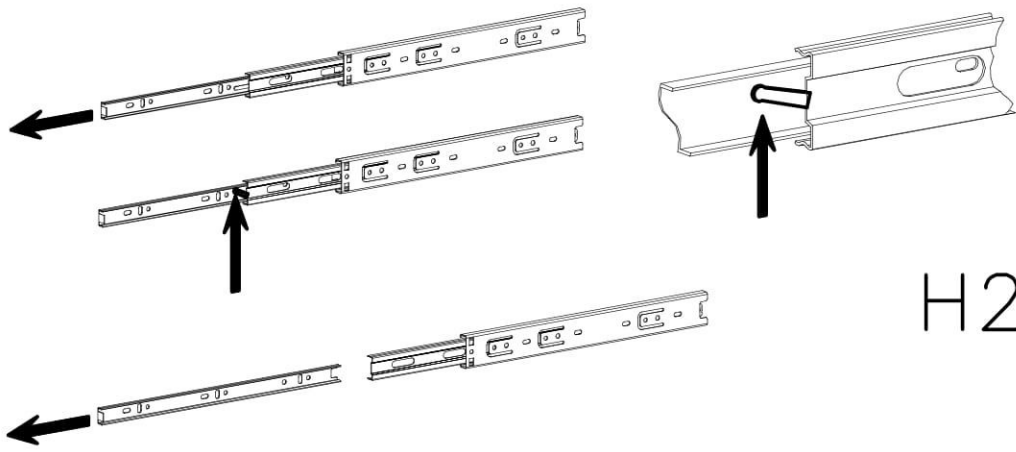
A2  ø7x70 x2
E17  x3
G34  3,5x16 x30
A1  ø7x50 x12

K5  x26
B3  ø8x50 x8
N31  M8x50 x3

G21  3x16 x30
K1  ø15x12 x26
I7  ø18 x26

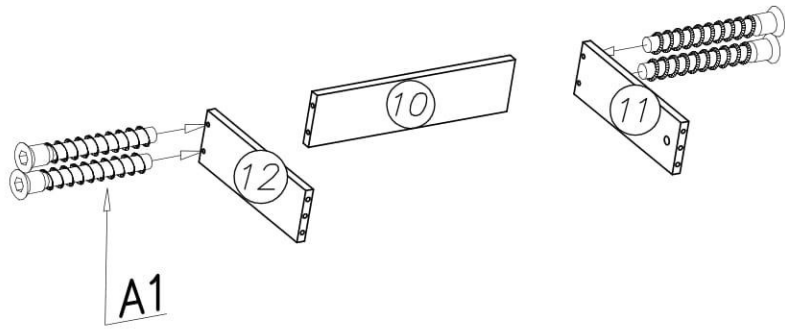
F2  x4
W2  4mm x1
B1  ø8x35 x26

W3  5mm x1
H22  x3

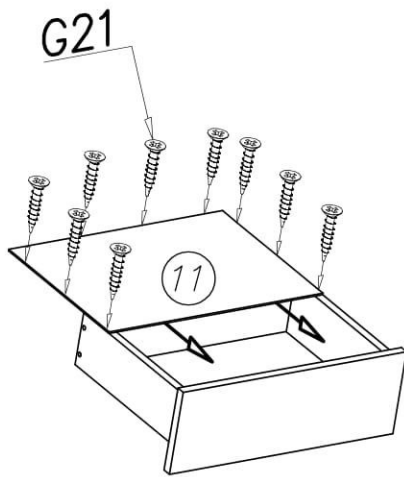


H22

1

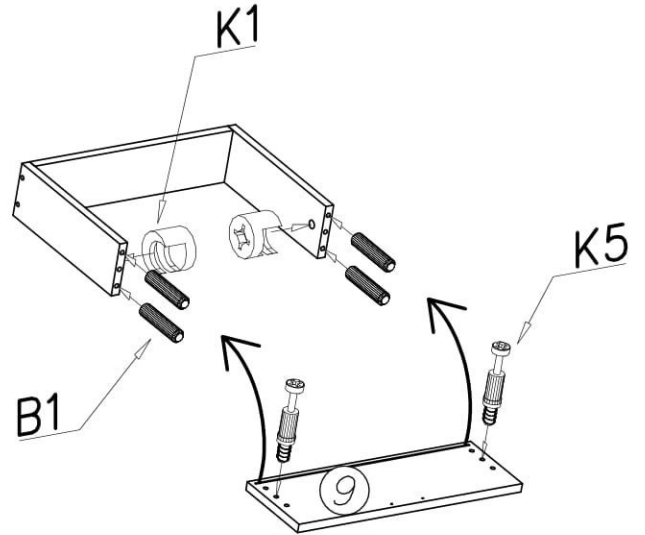


A1



G21

11

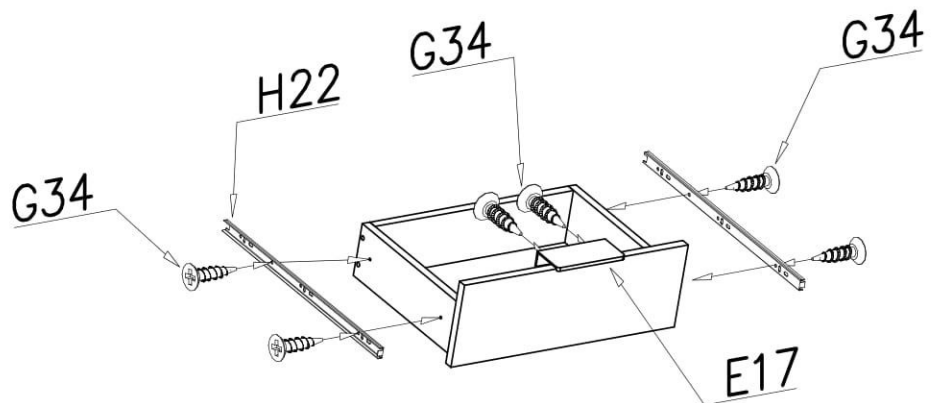


K1

B1

K5

9



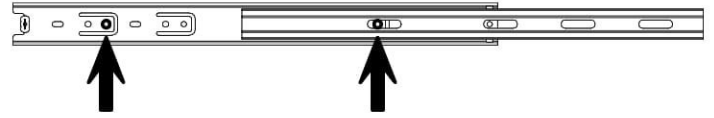
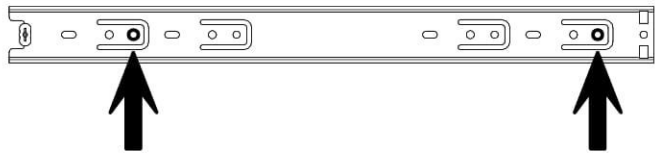
H22

G34

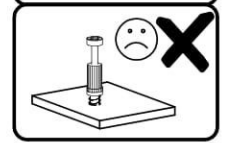
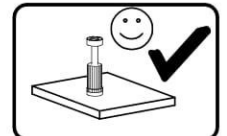
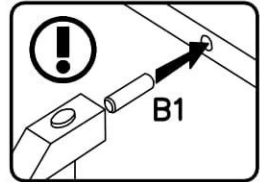
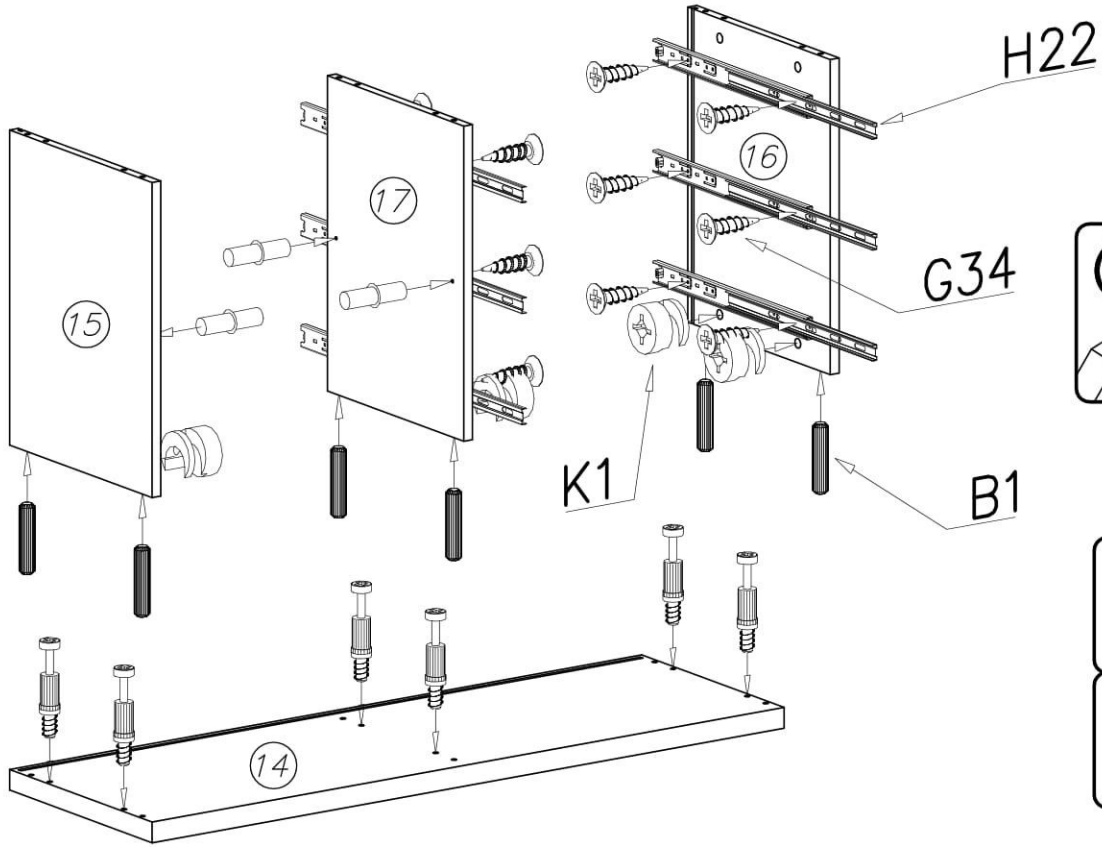
G34

G34

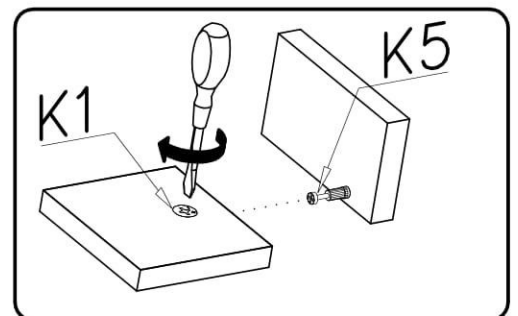
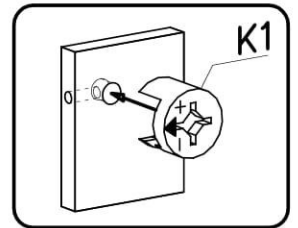
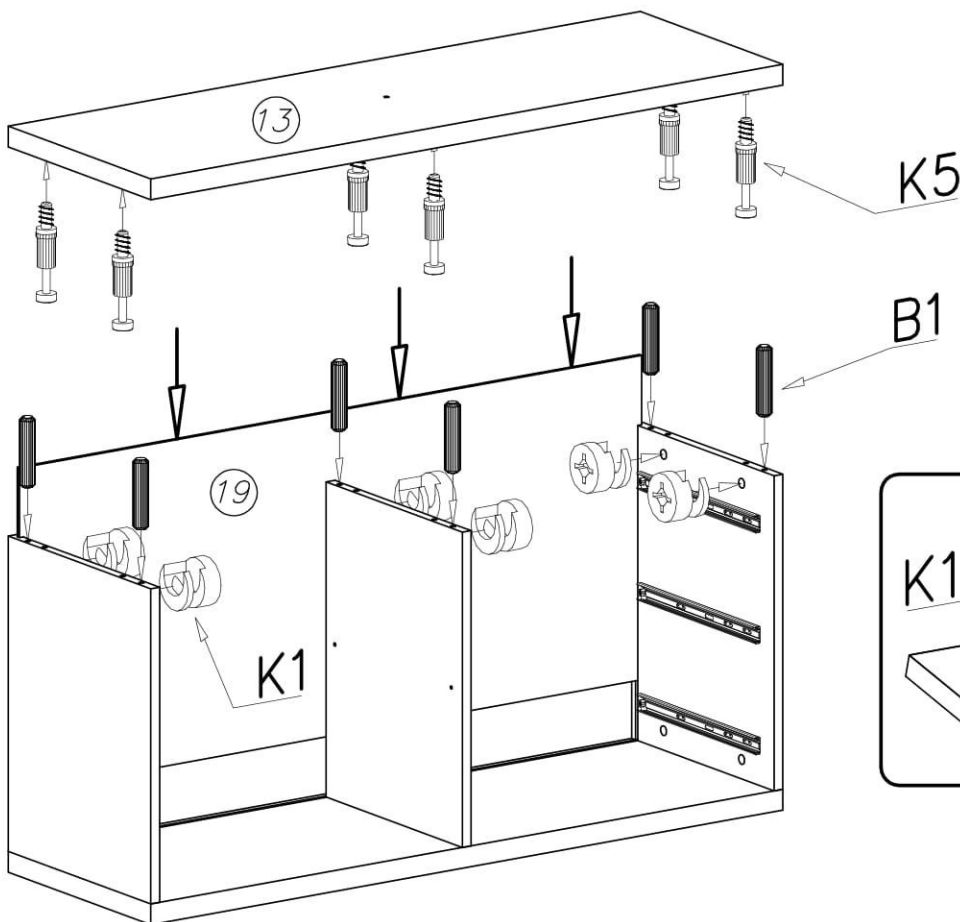
E17



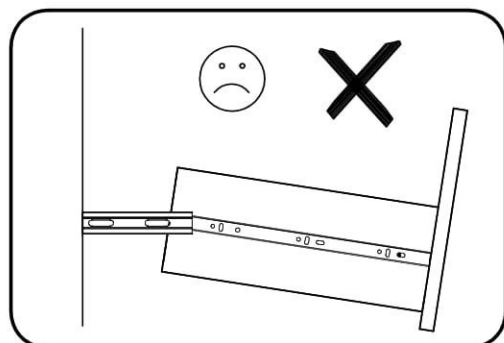
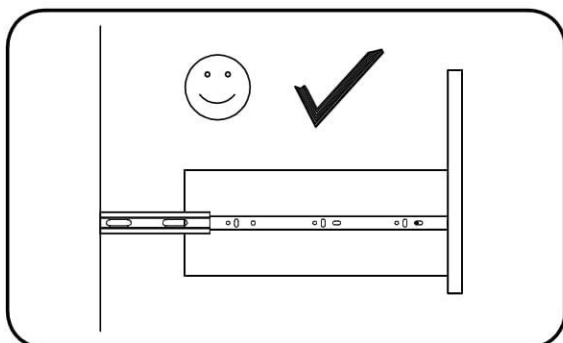
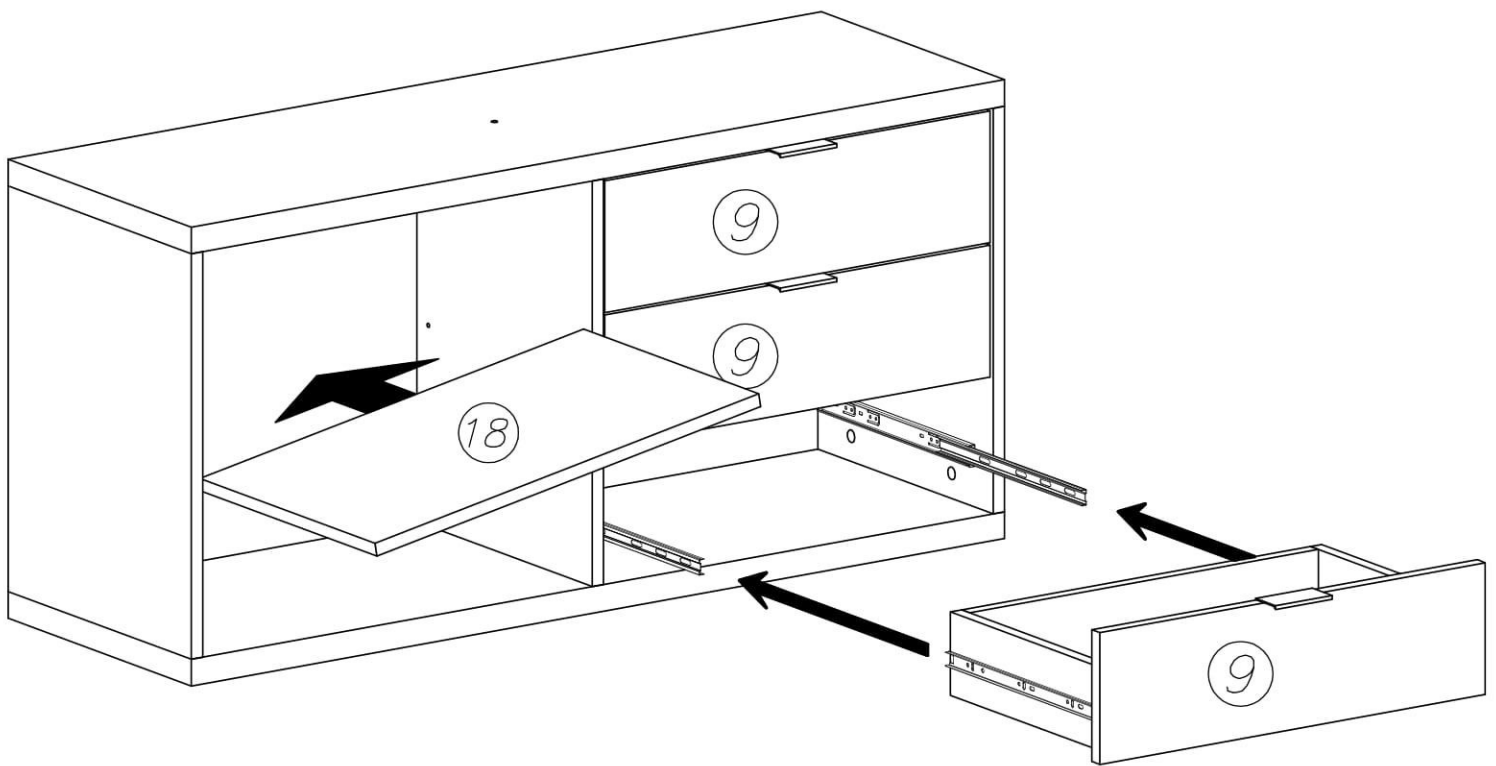
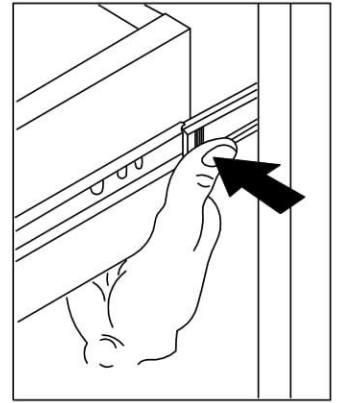
2



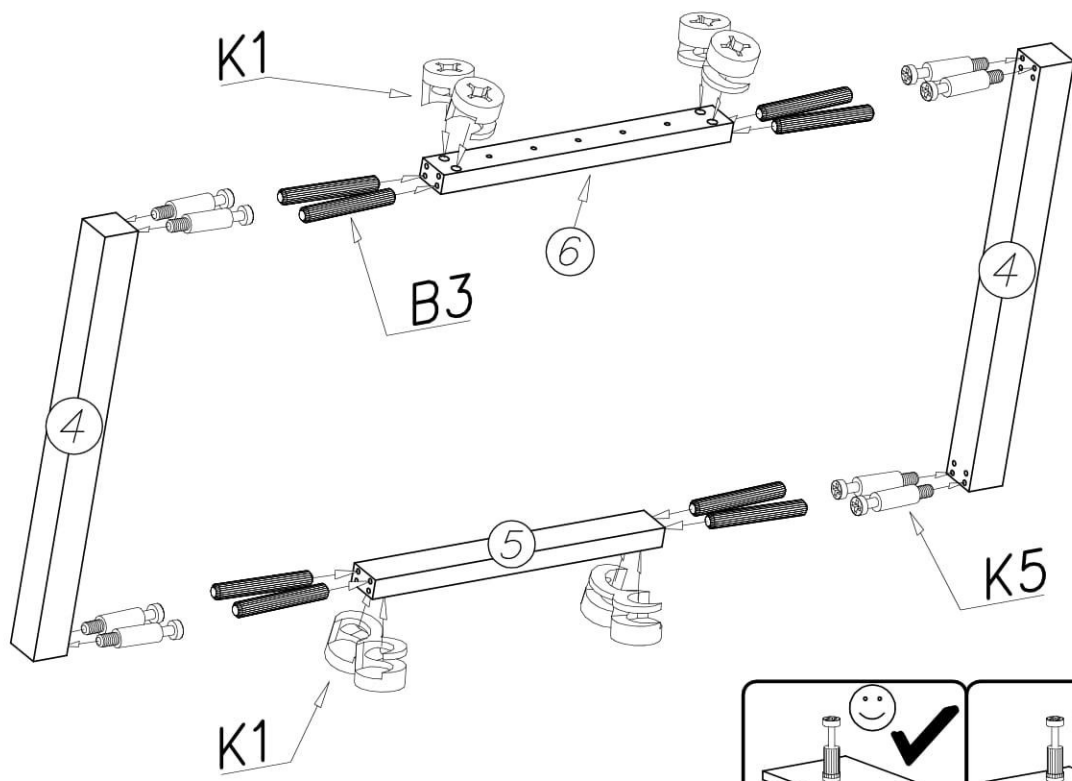
3



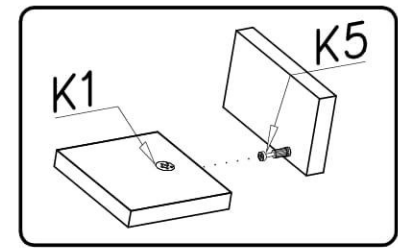
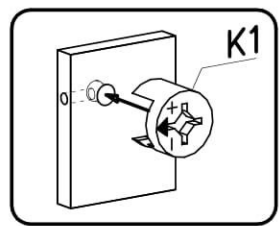
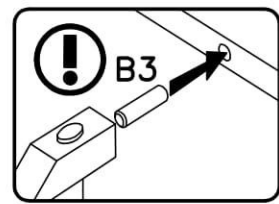
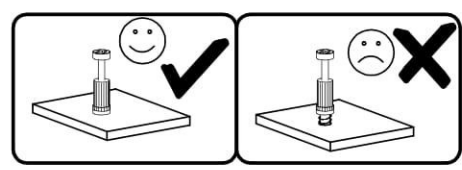
4



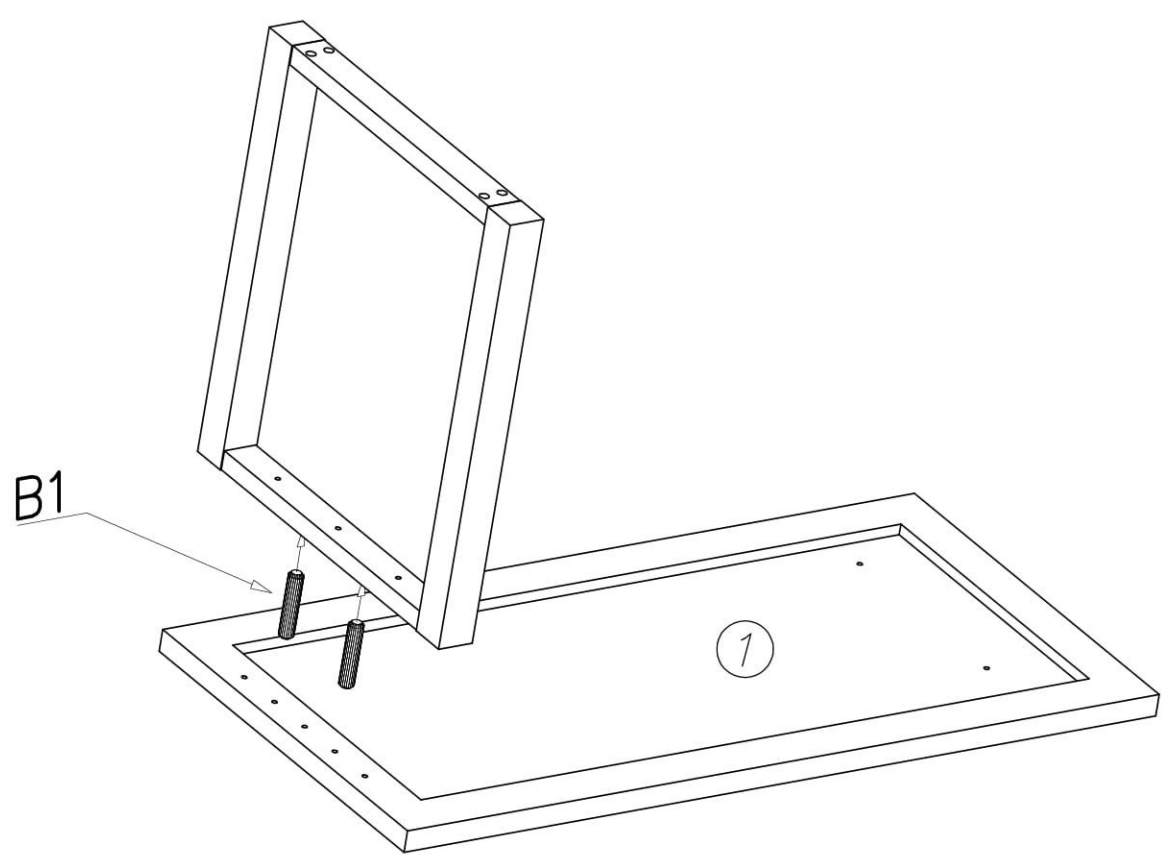
5



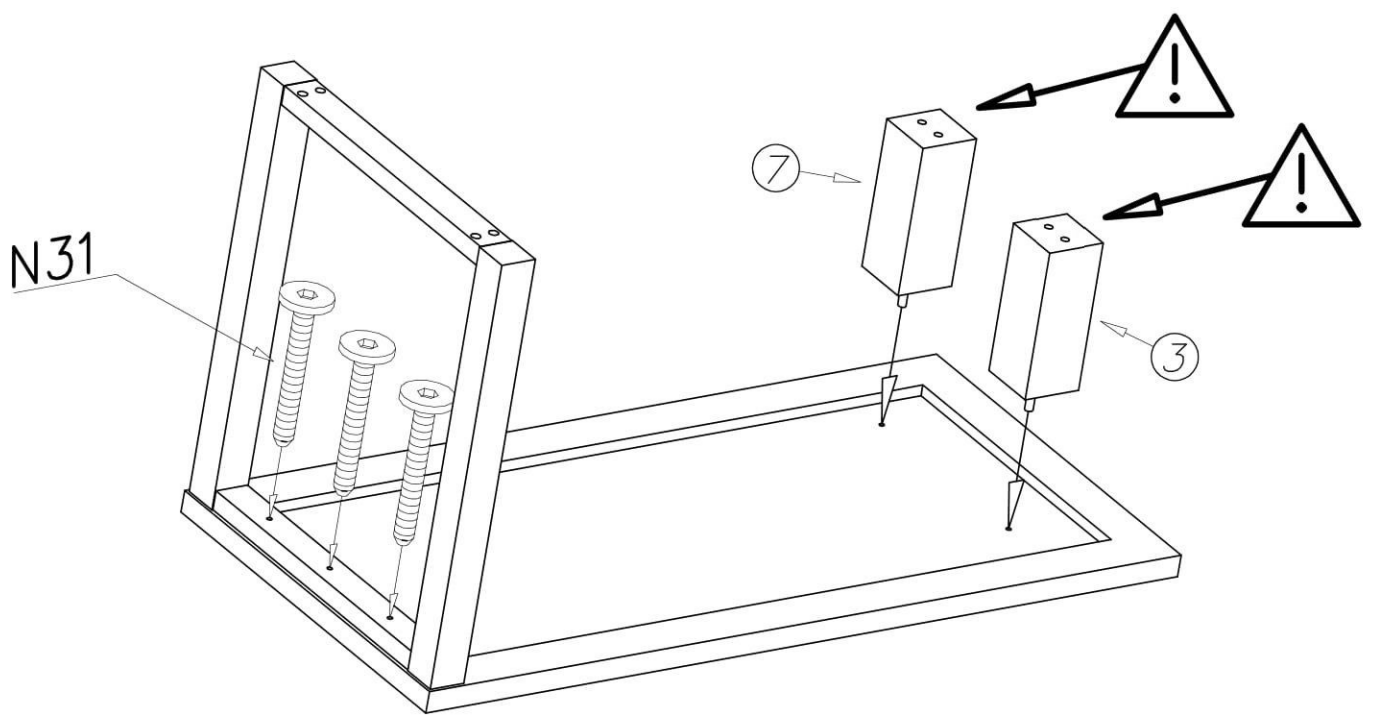
K1



6



7



8

