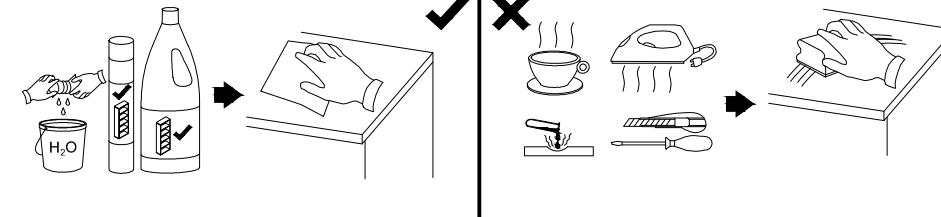
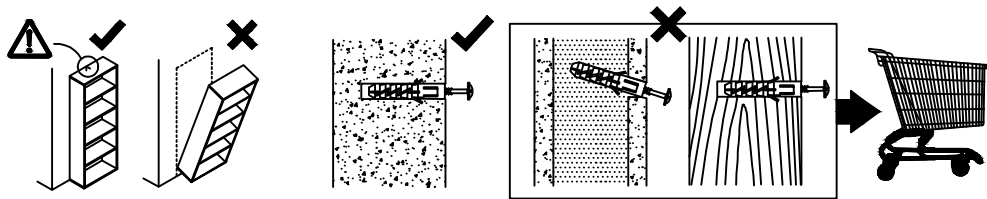
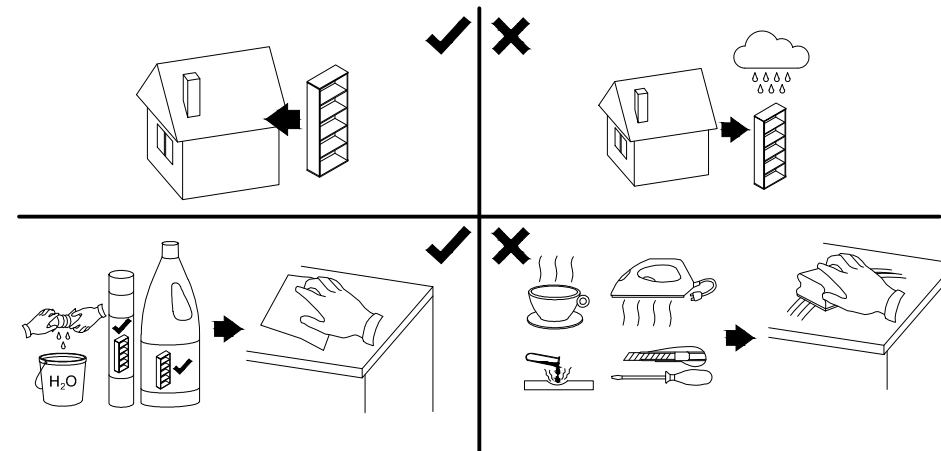
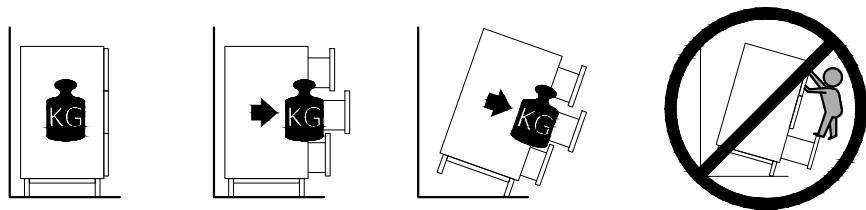
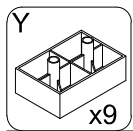
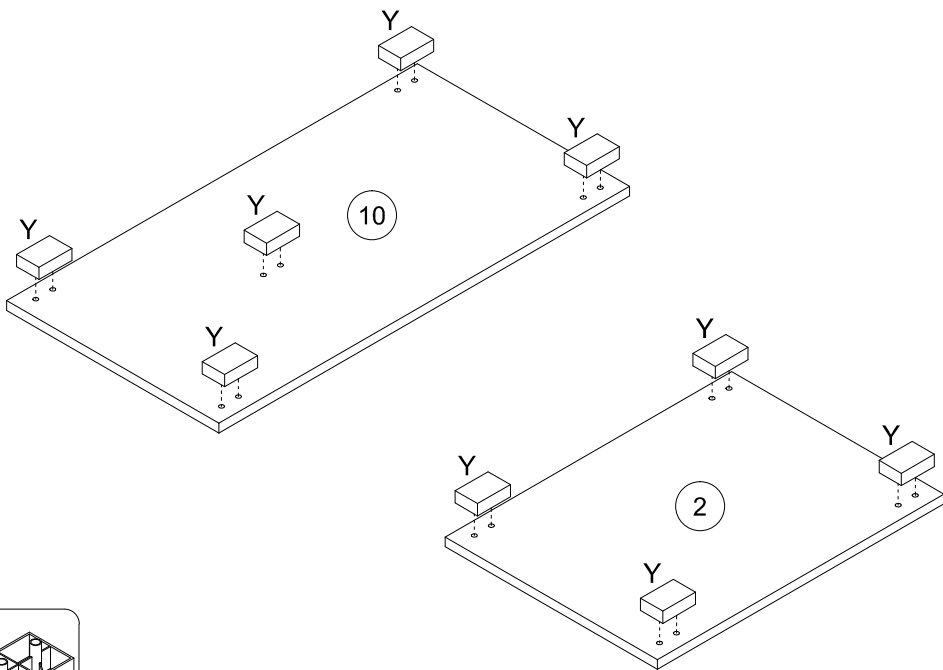


A	8x32	B		C		YD	6,4x60
	x20		x24		x24		x4
ZZ		R10		N	3x20	ND	3,5x16
	x16		x2		x70		x40
K3	4x25	M4	4x22	O		TA	IMB
	x6		x2		x1		x1
NM	4x30	Y		W+H2		V	Z
	x24		x9		x5		x20
DL	205 x 75	DW	300	W2	4x30	H2	BL
	x1		x1		x6		x3
							x7

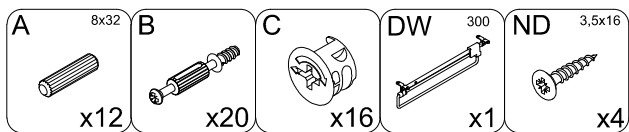
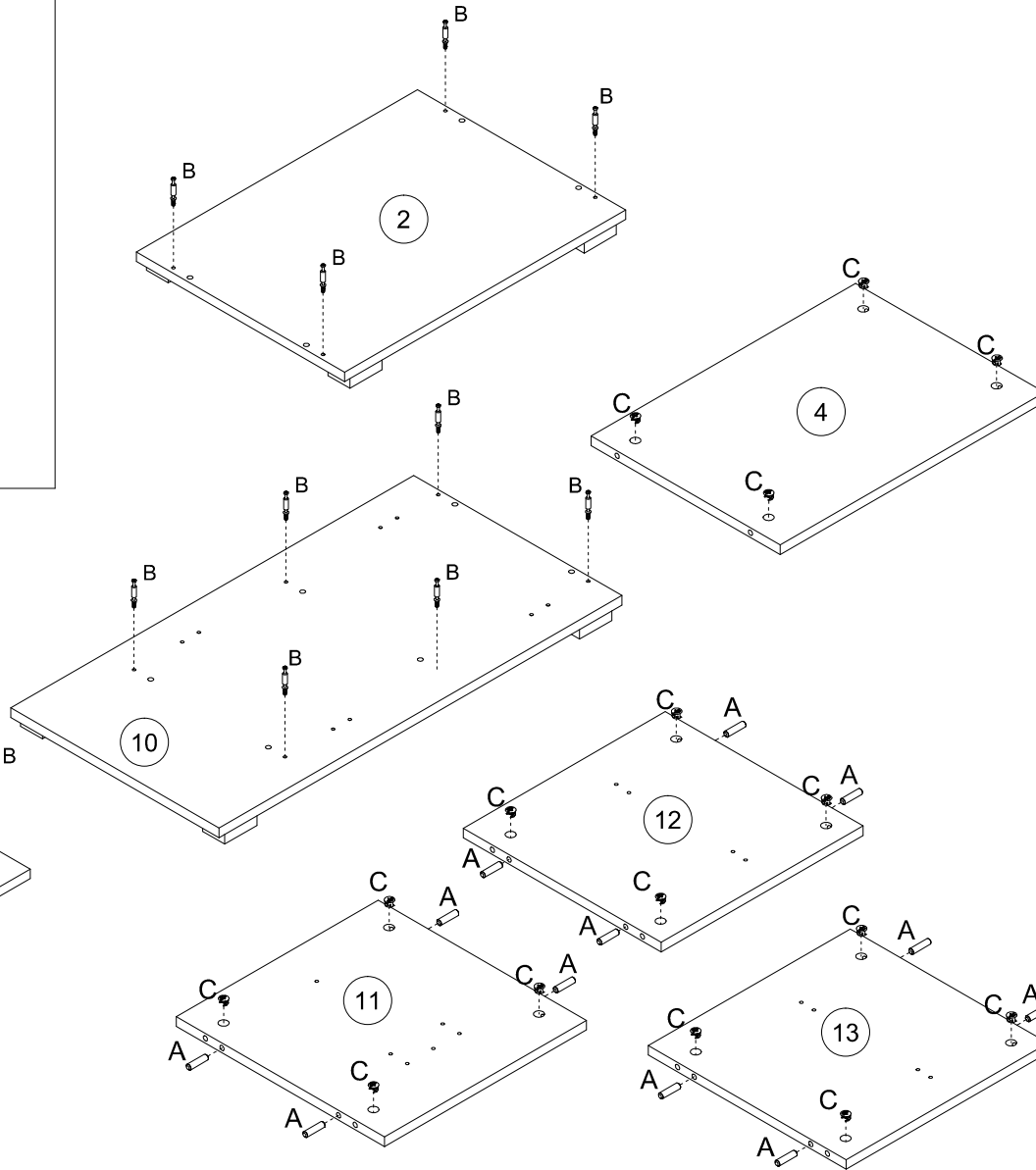
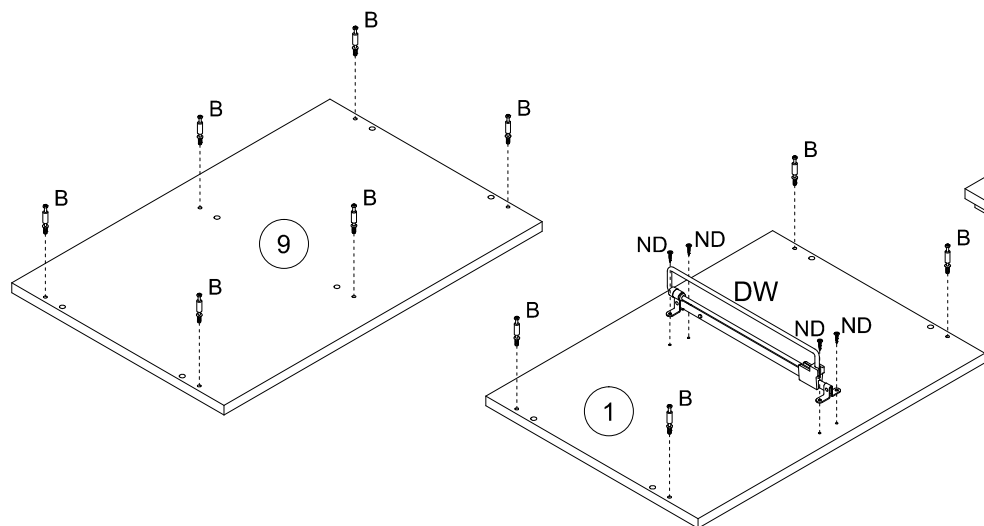
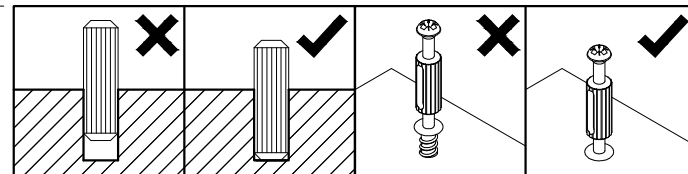
1	540	400	16	x1	2 / 3
2	540	400	16	x1	2 / 3
3L	1868	400	16	x1	1 / 3
3R	1868	400	16	x1	2 / 3
4	508	363	16	x1	3 / 3
5	508	350	16	x2	3 / 3
6	1860	500	16	x1	1 / 3
7	1860	18	18	x3	1 / 3
8	1896	536	2.5	x1	1 / 3
9	600	400	16	x1	2 / 3
10	774	400	16	x1	2 / 3
11	388	400	16	x1	3 / 3
12	388	380	16	x1	2 / 3
13	388	380	16	x1	2 / 3
14	275	375	16	x2	3 / 3
15	380	576	16	x1	3 / 3
16	596	416	2.5	x1	1 / 3
17	1480	600	16	x1	3 / 3
18	1884	174	16	x1	1 / 3
19	600	250	16	x1	3 / 3
20	1884	18	18	x3	1 / 3



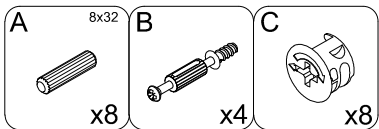
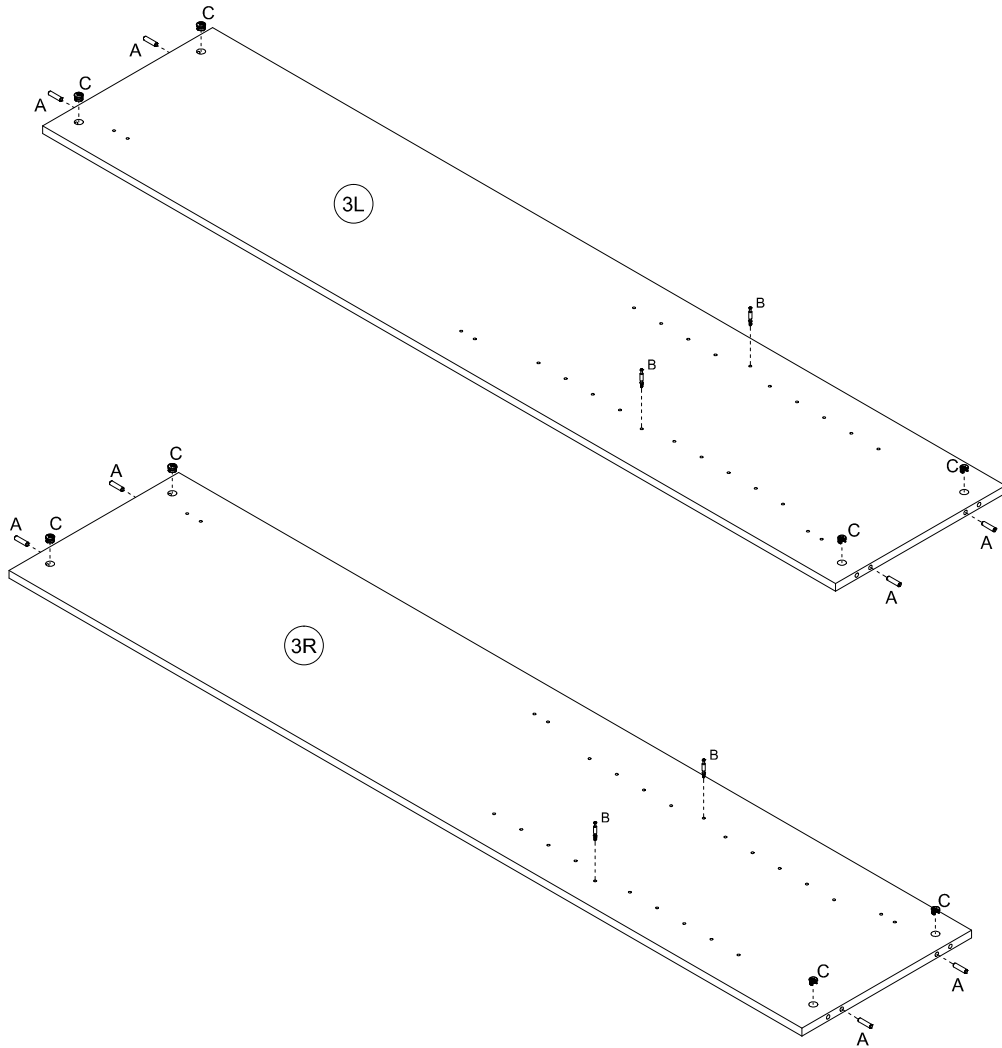
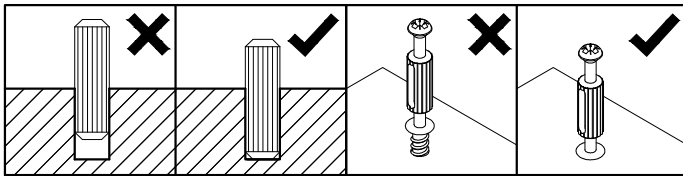
1



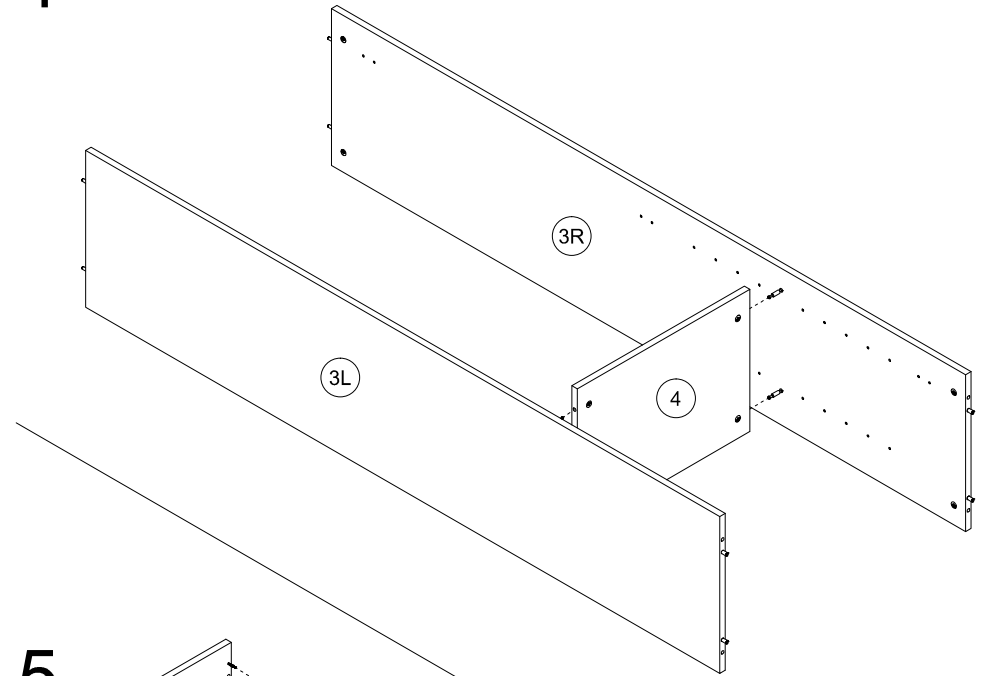
2



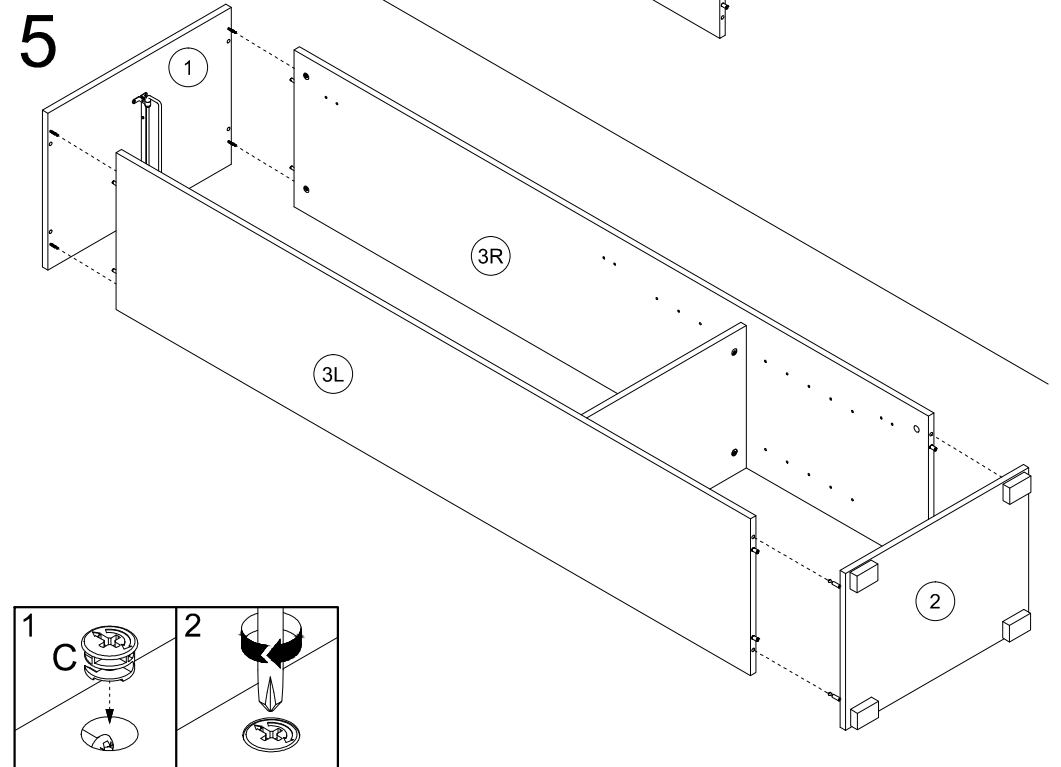
3



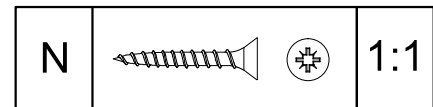
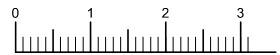
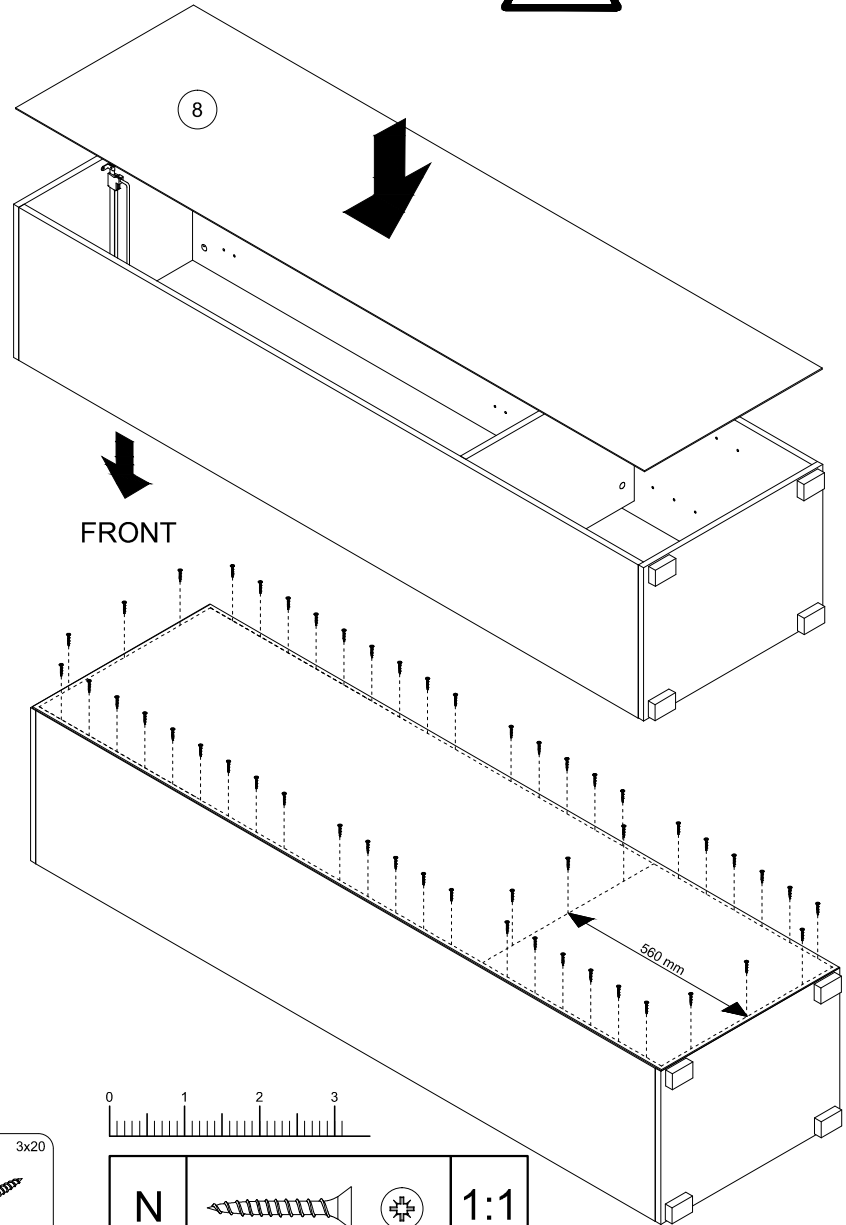
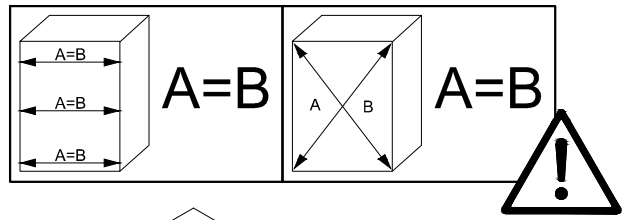
4



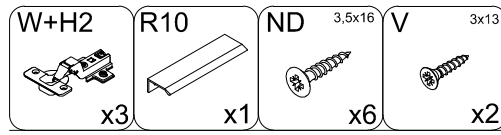
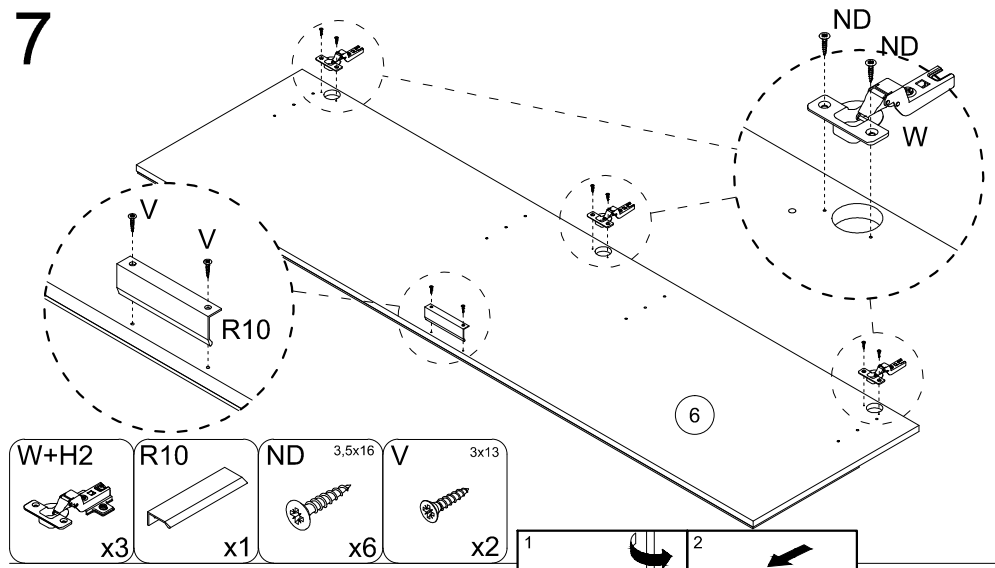
5



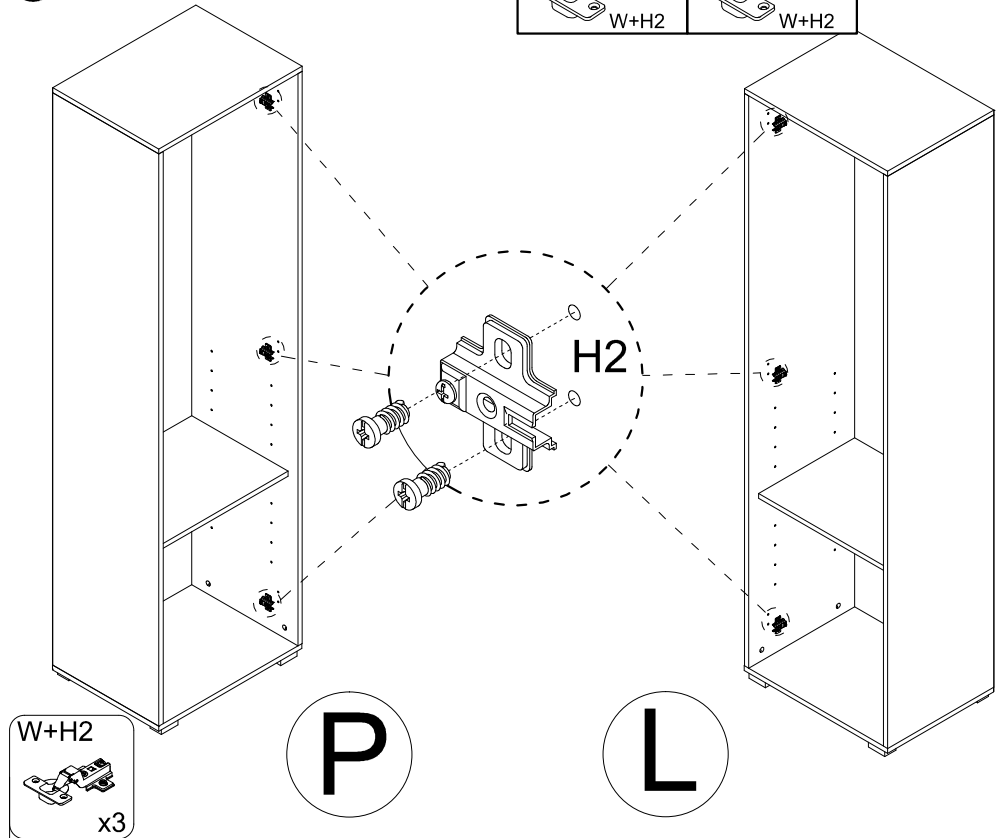
6



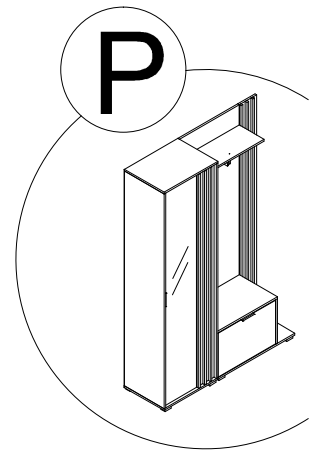
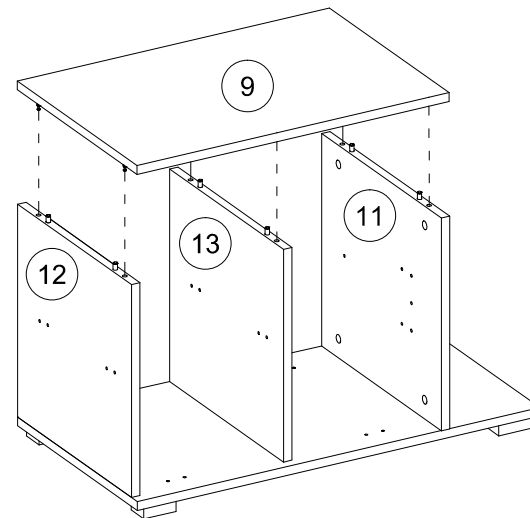
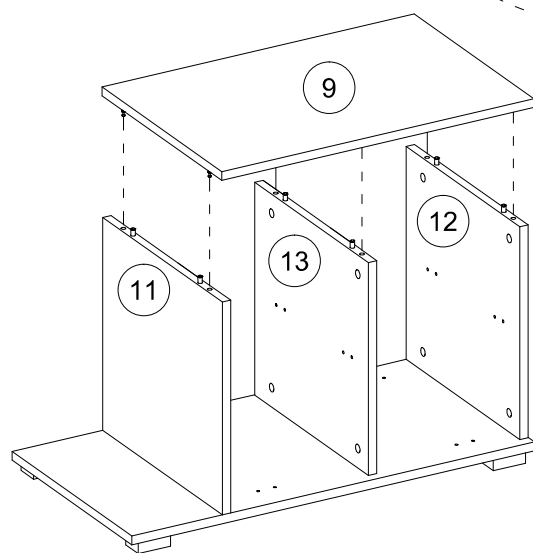
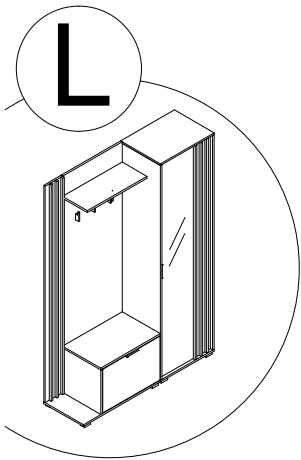
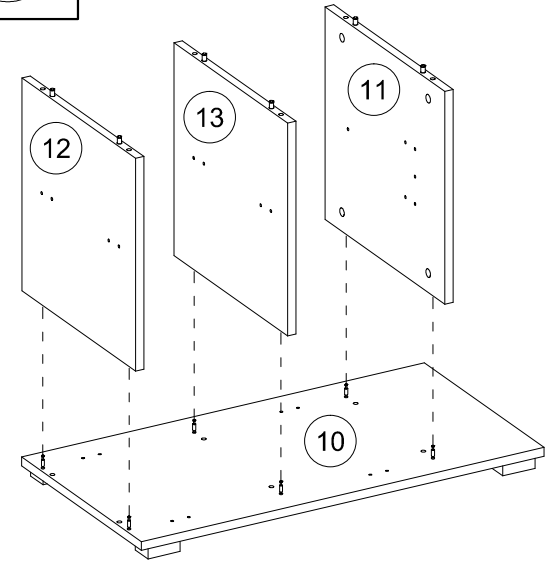
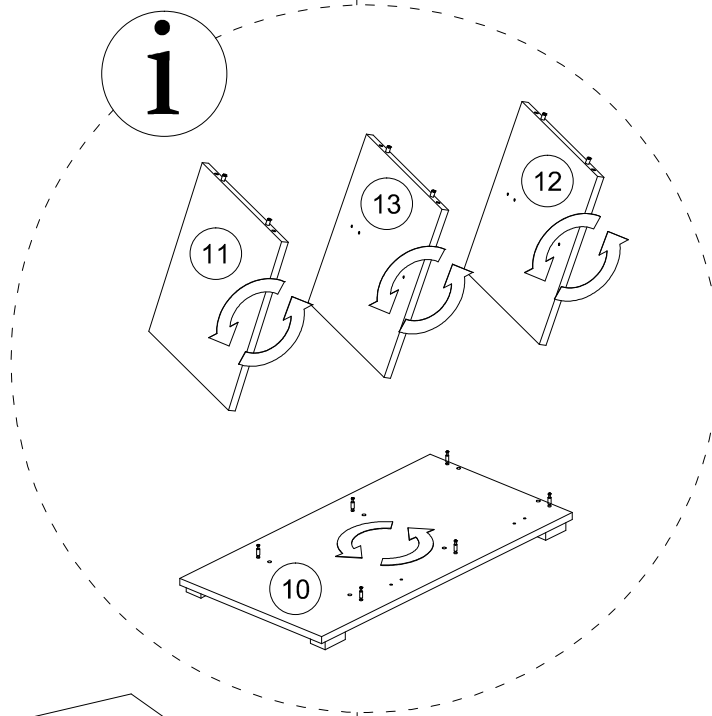
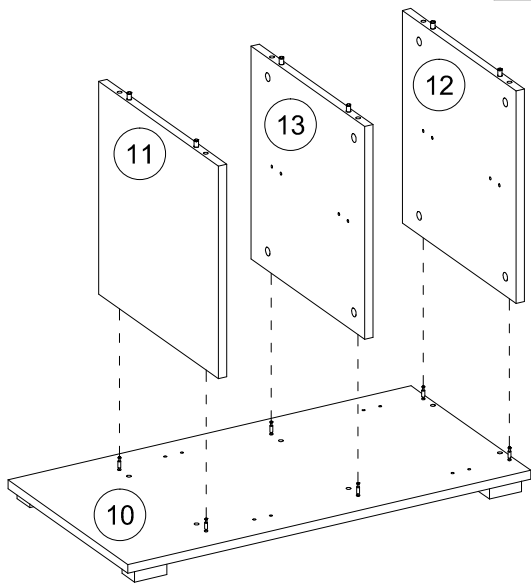
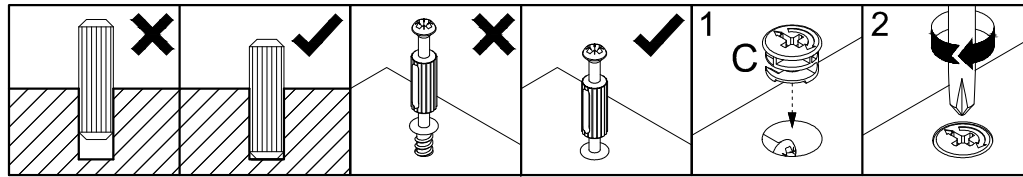
7



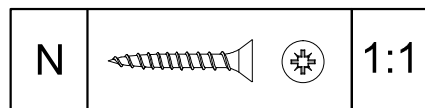
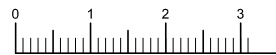
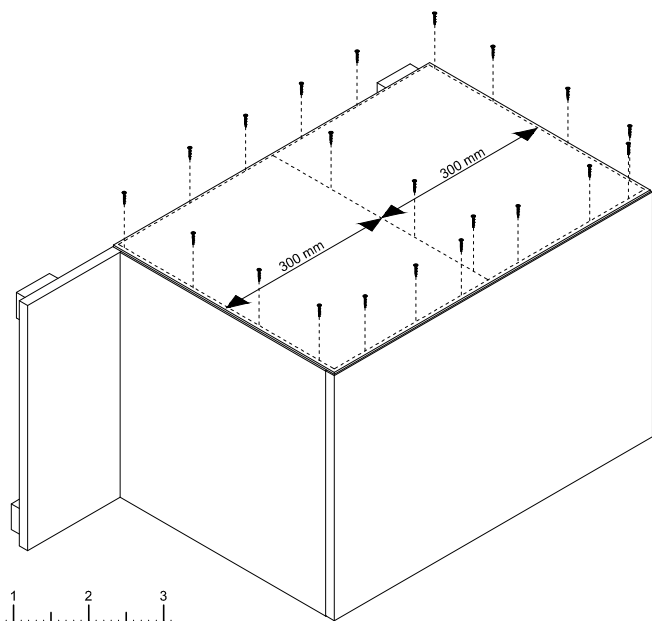
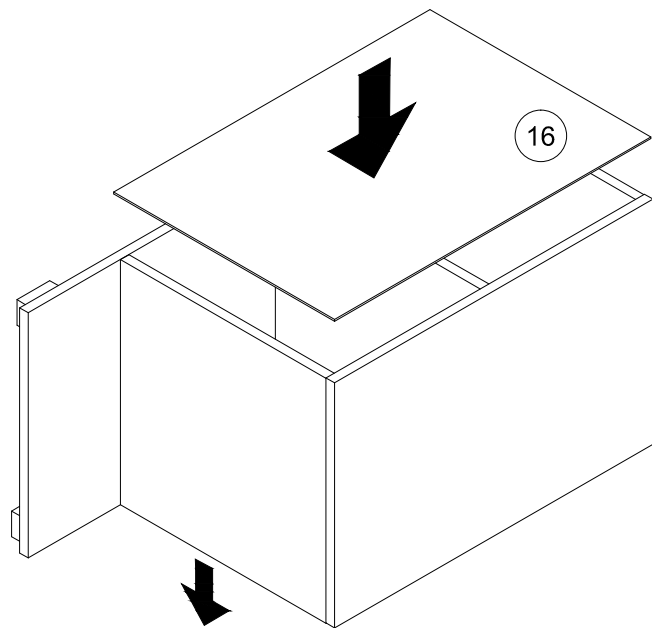
8



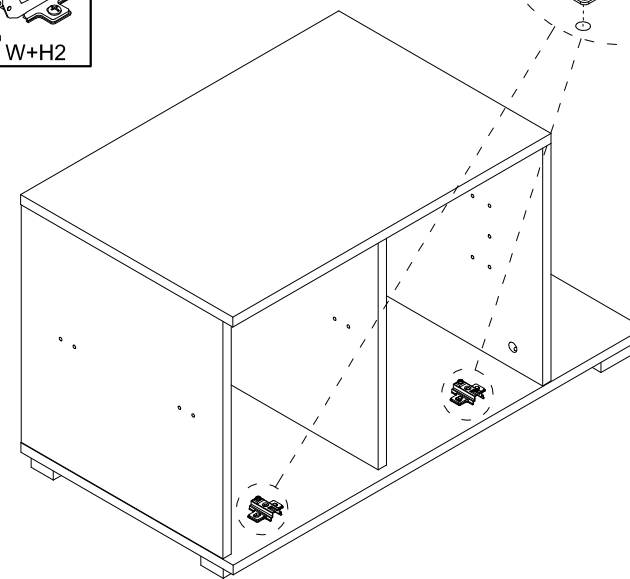
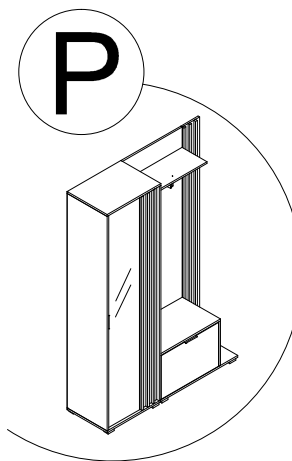
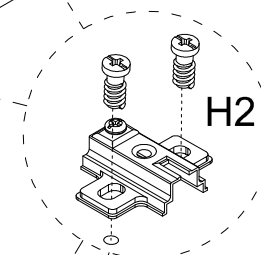
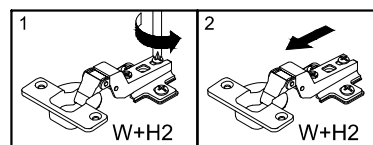
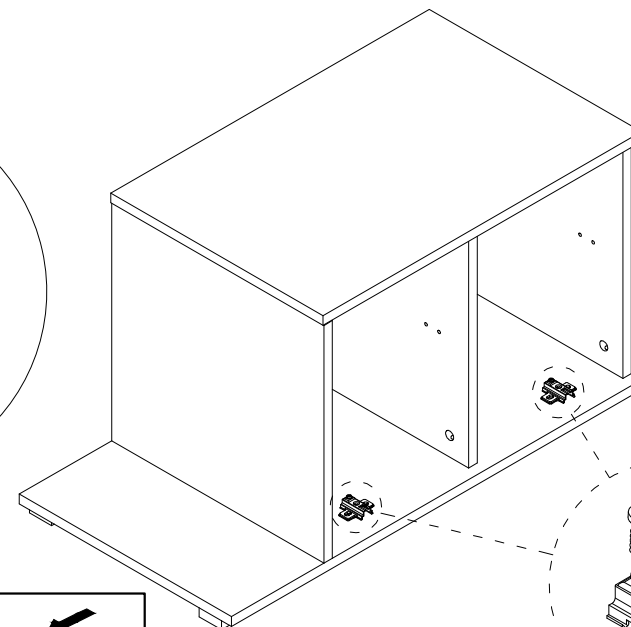
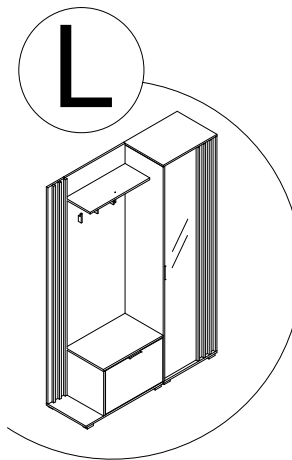
9



10

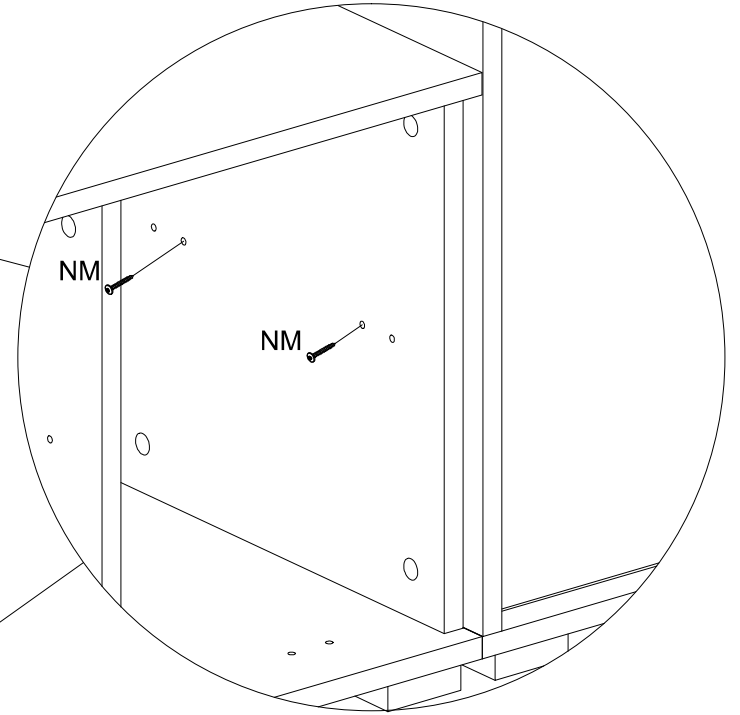
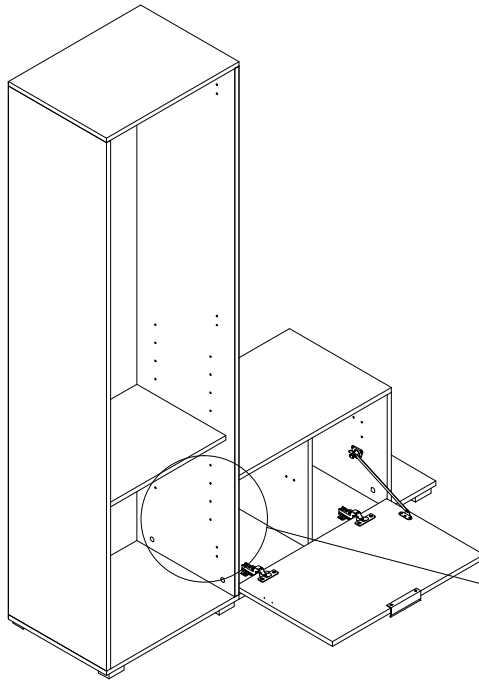
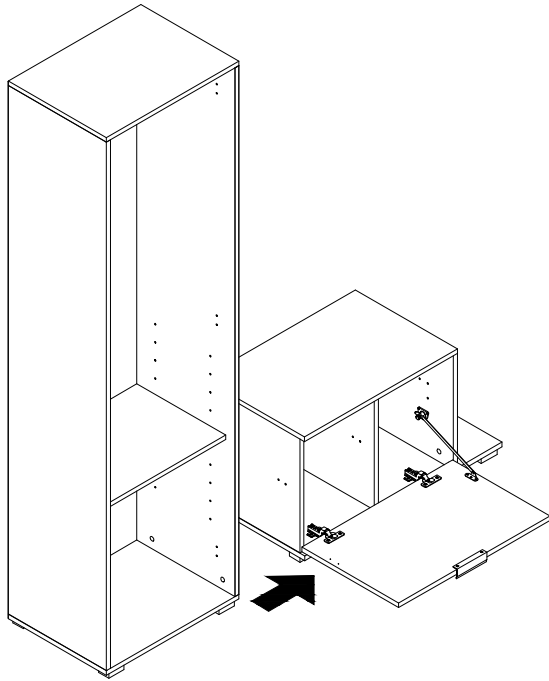


11

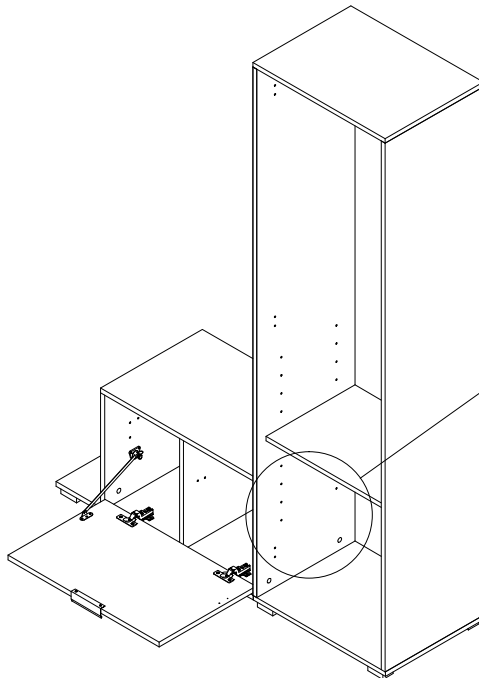
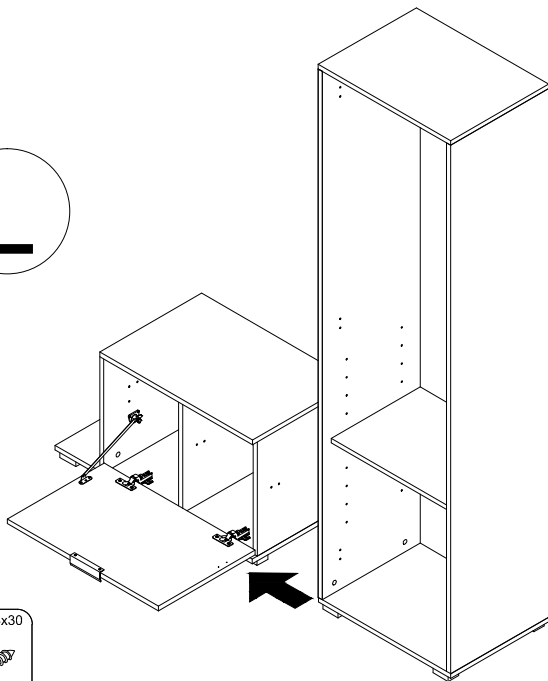


13

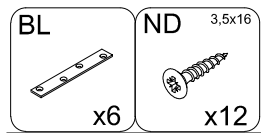
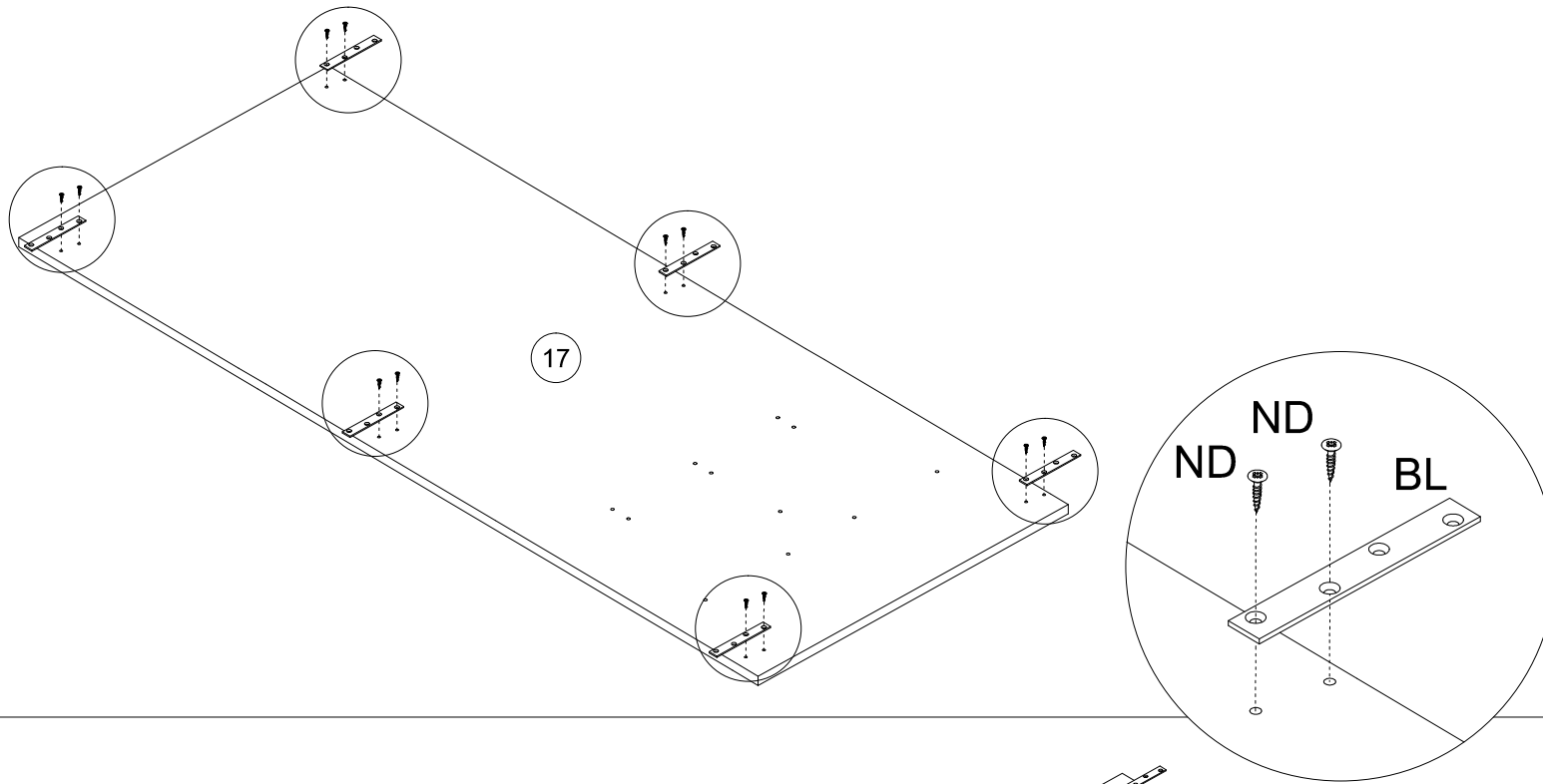
P



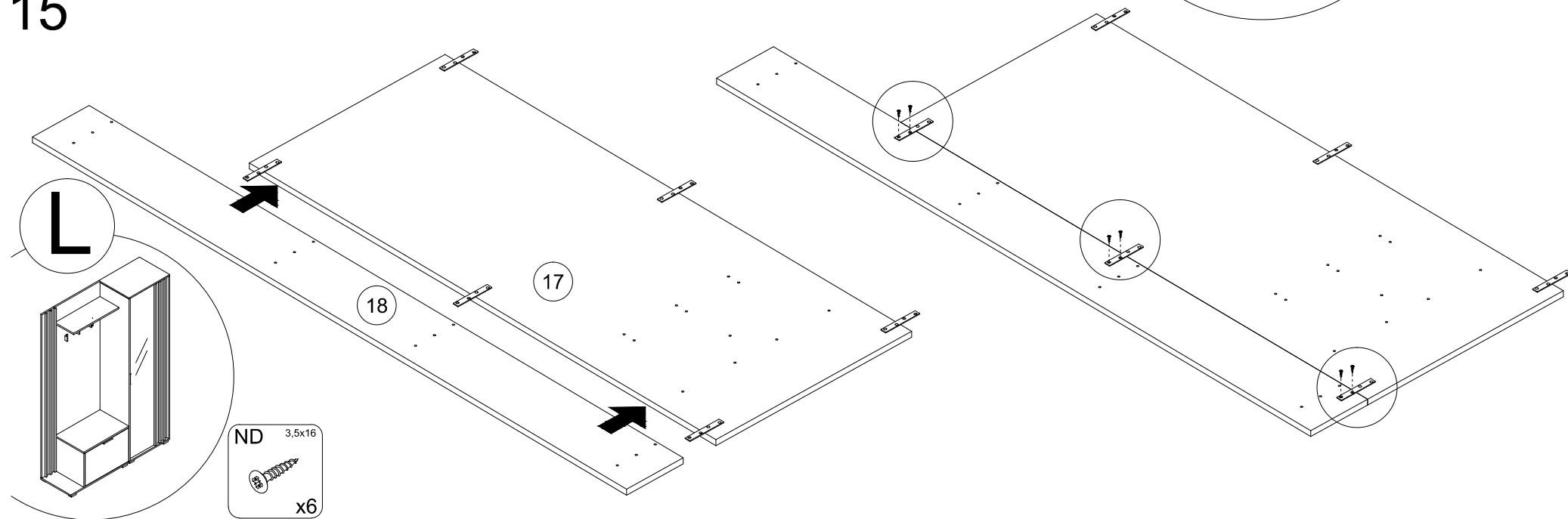
L



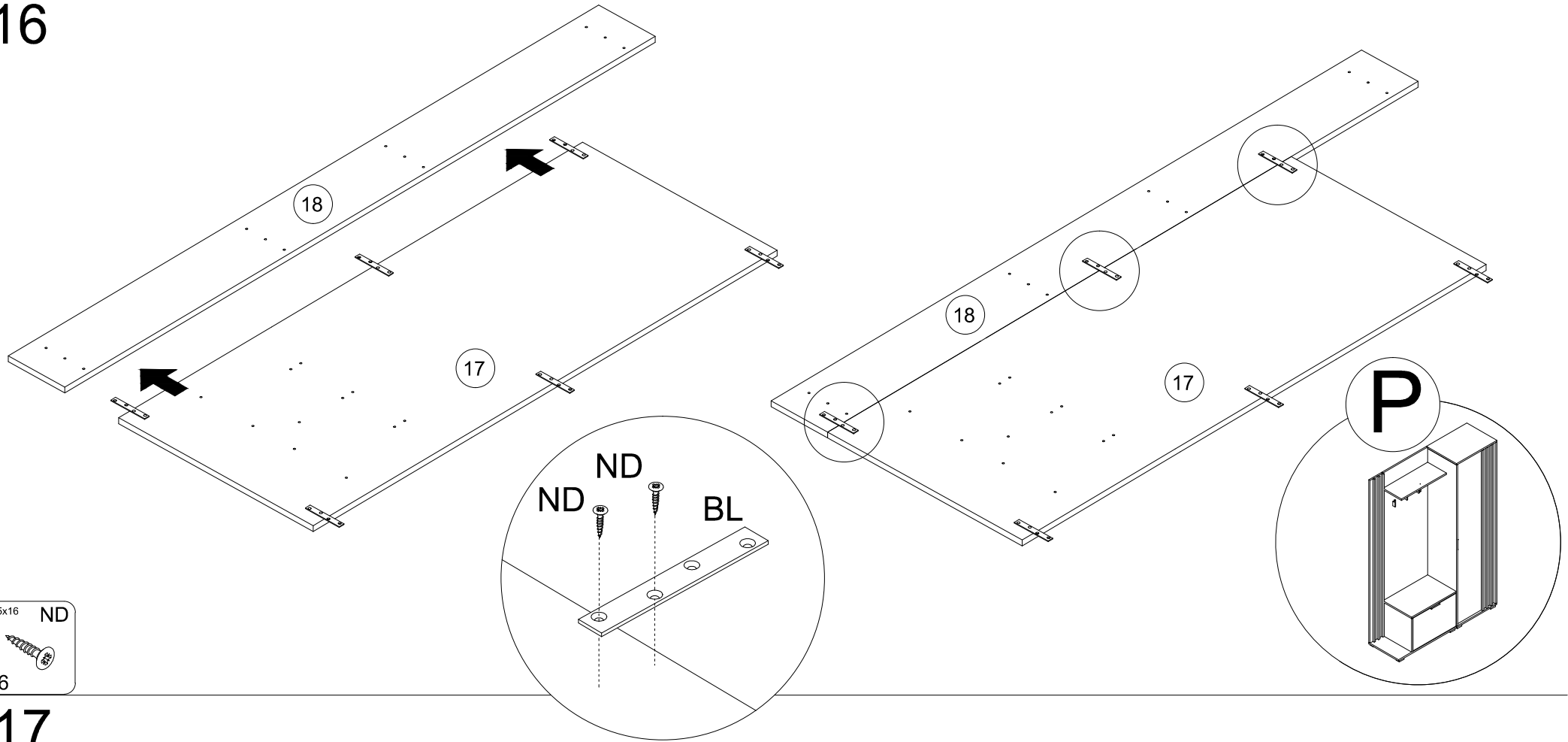
14



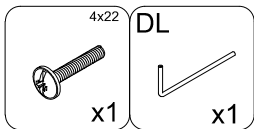
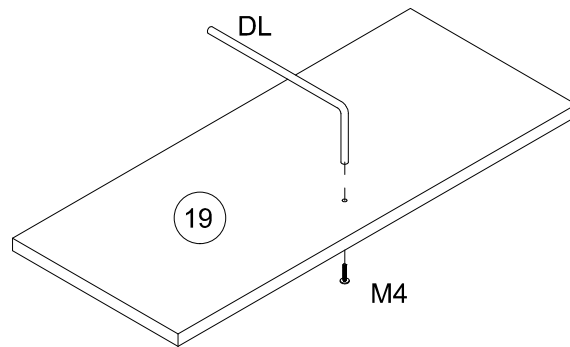
15



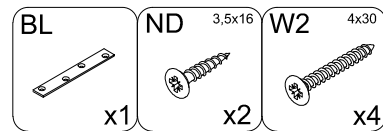
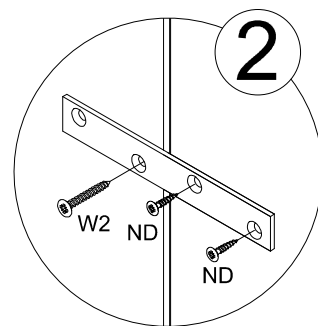
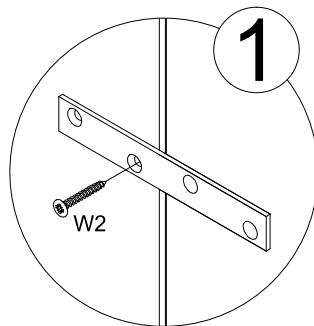
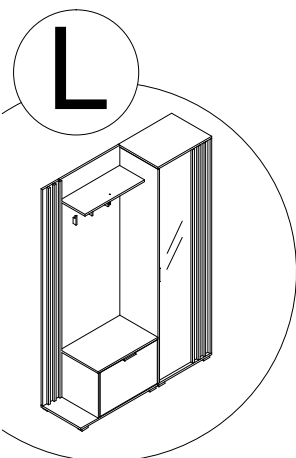
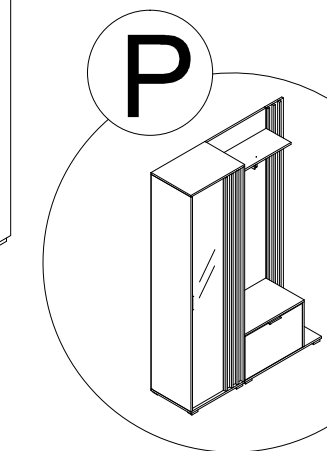
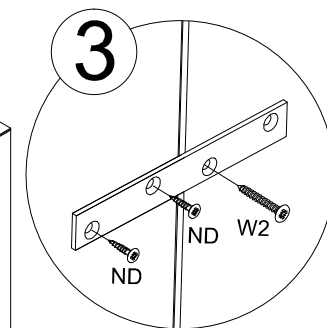
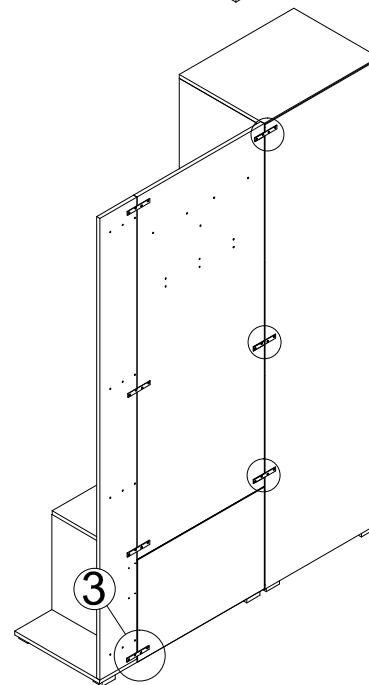
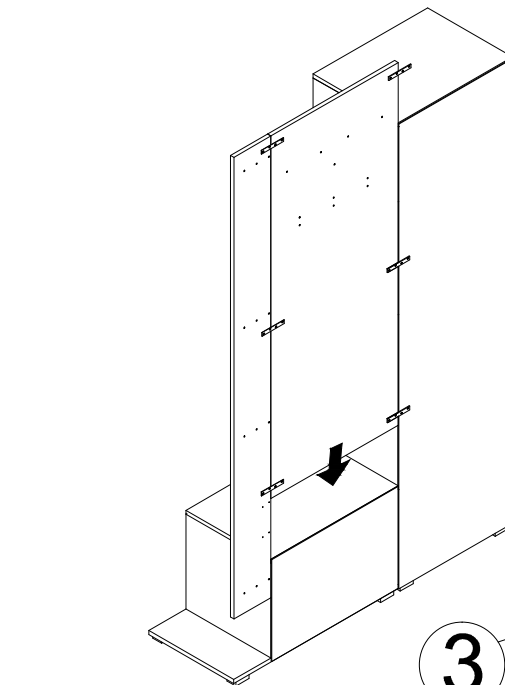
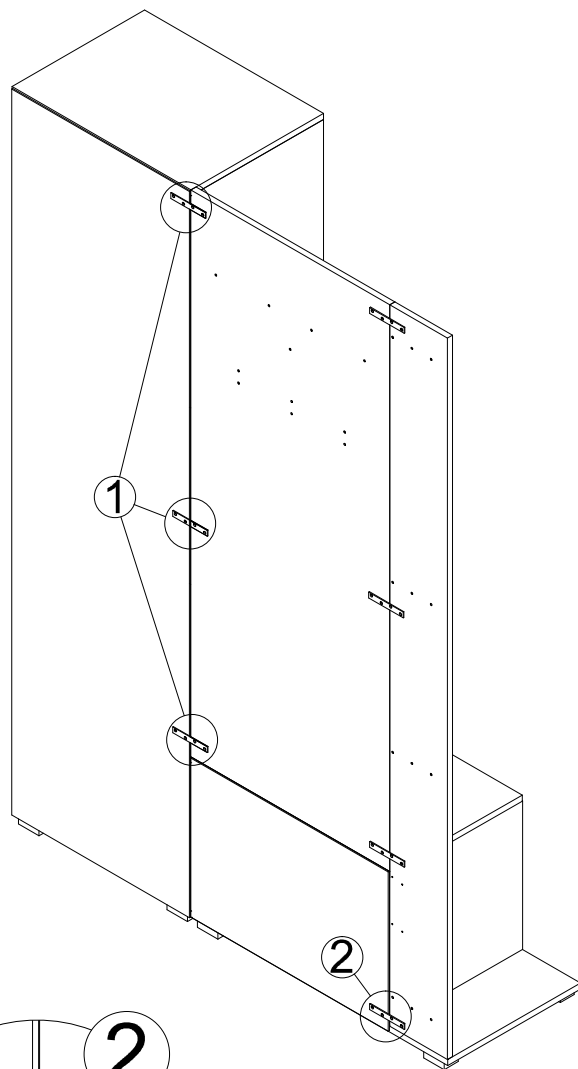
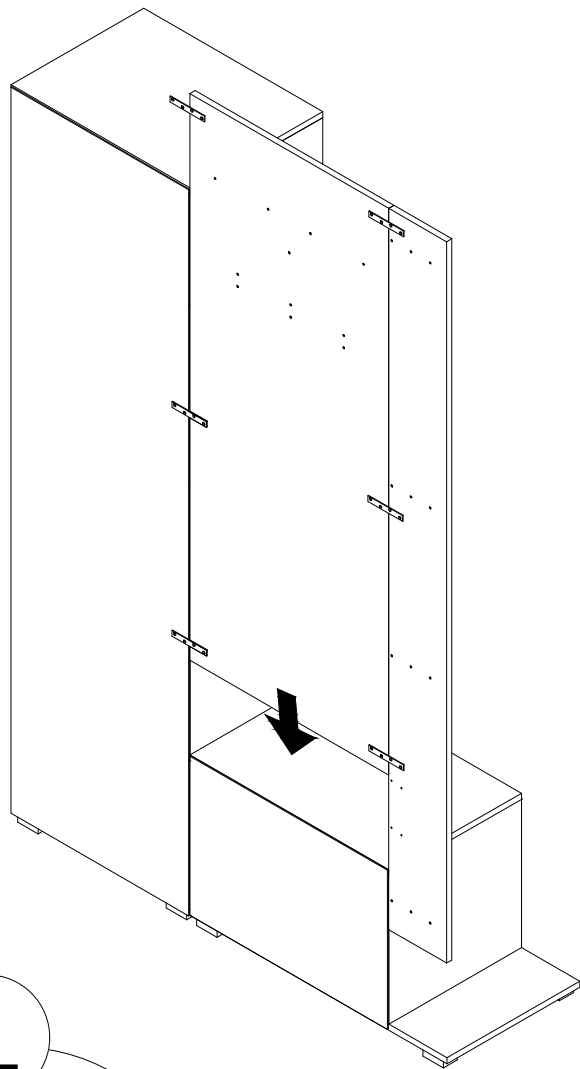
16



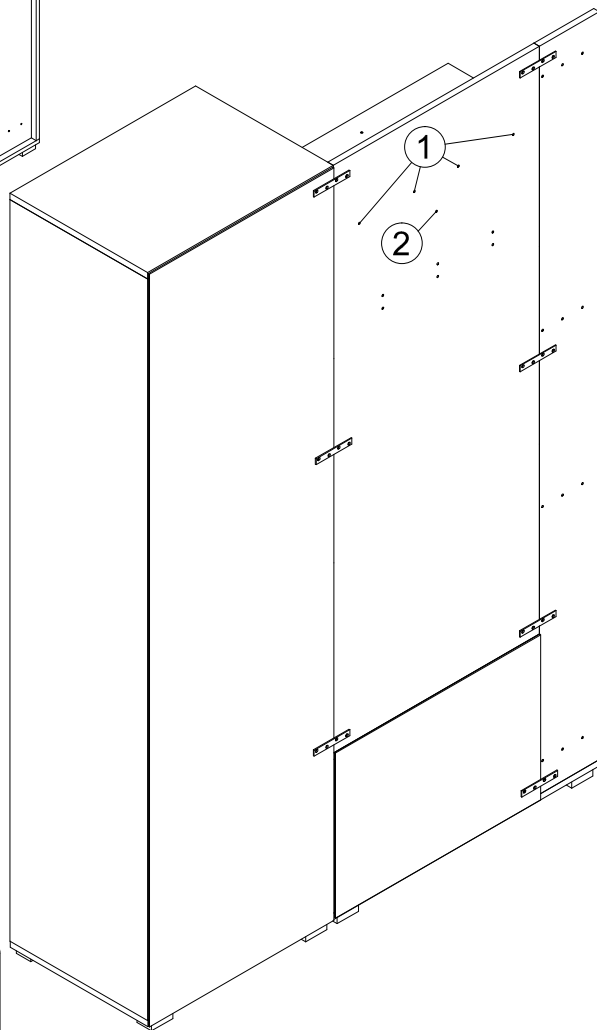
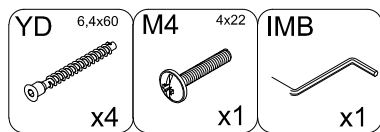
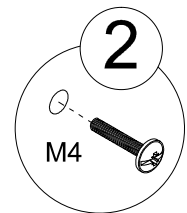
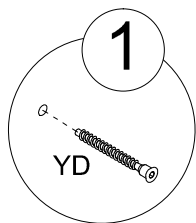
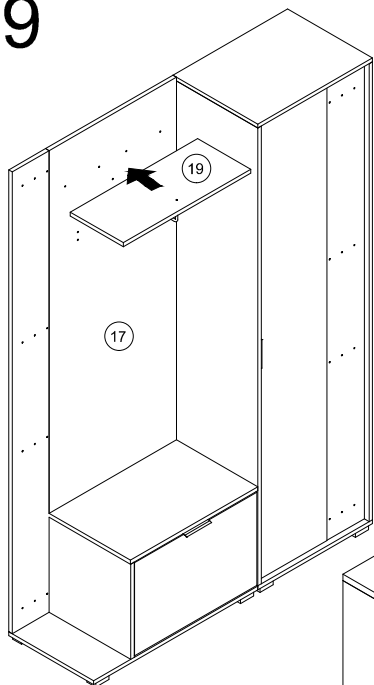
17



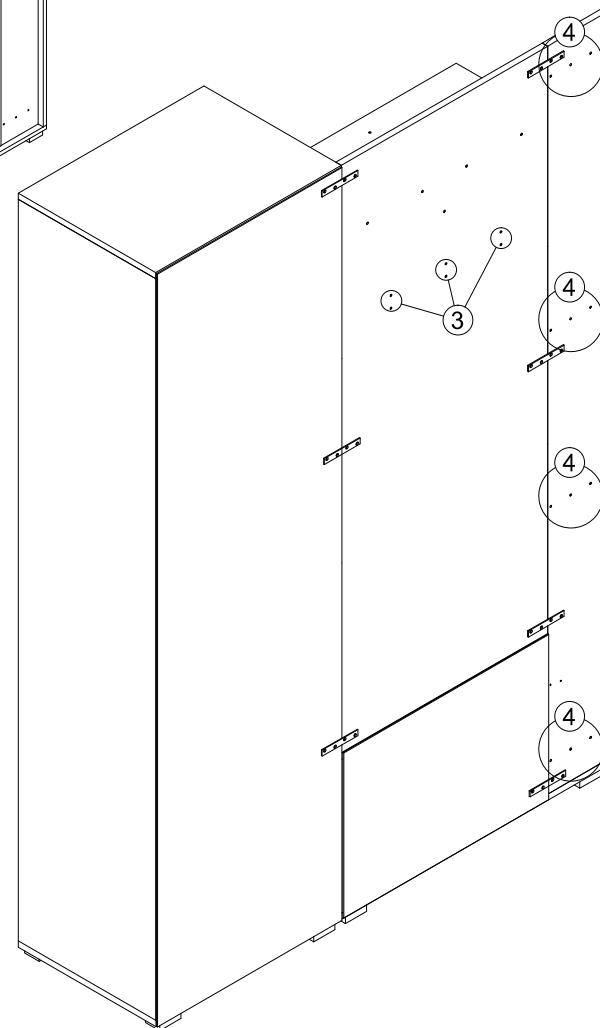
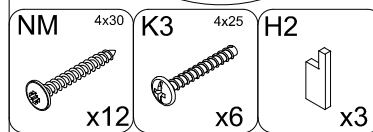
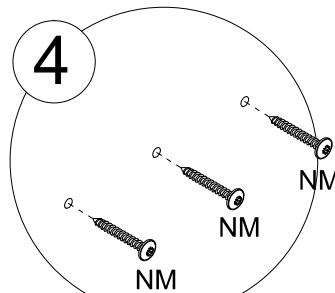
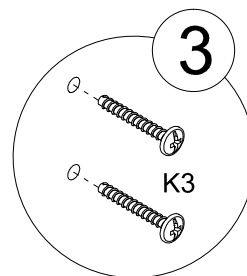
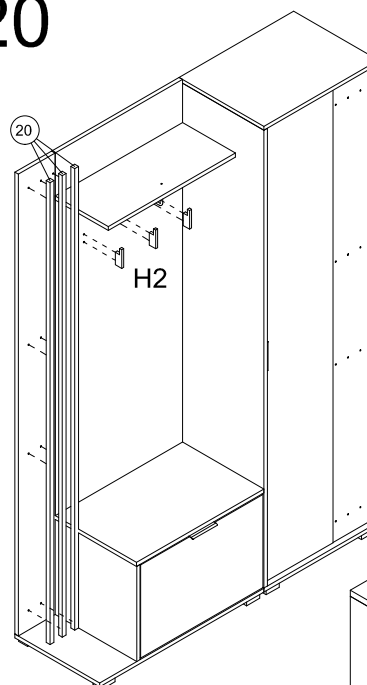
18



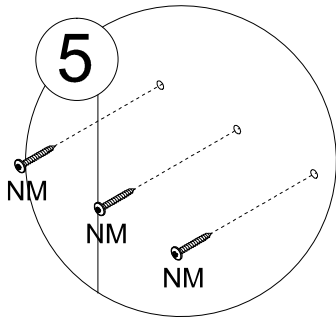
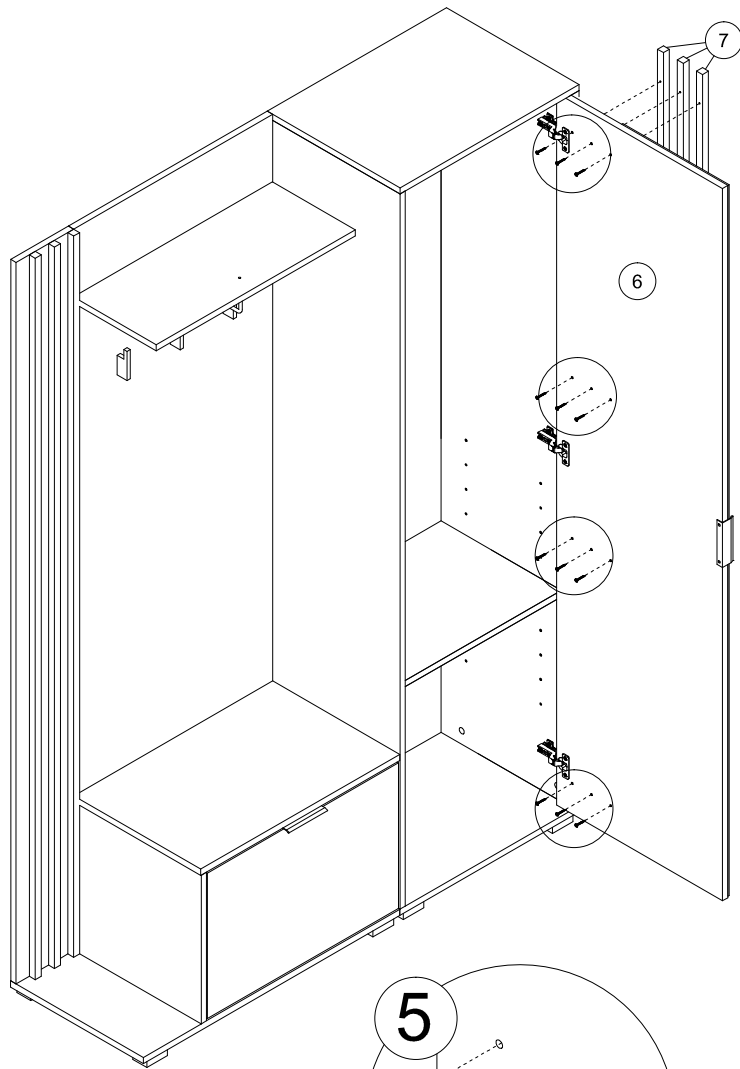
19



20



21



22

