
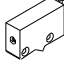


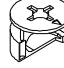
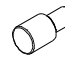



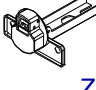
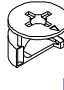









I

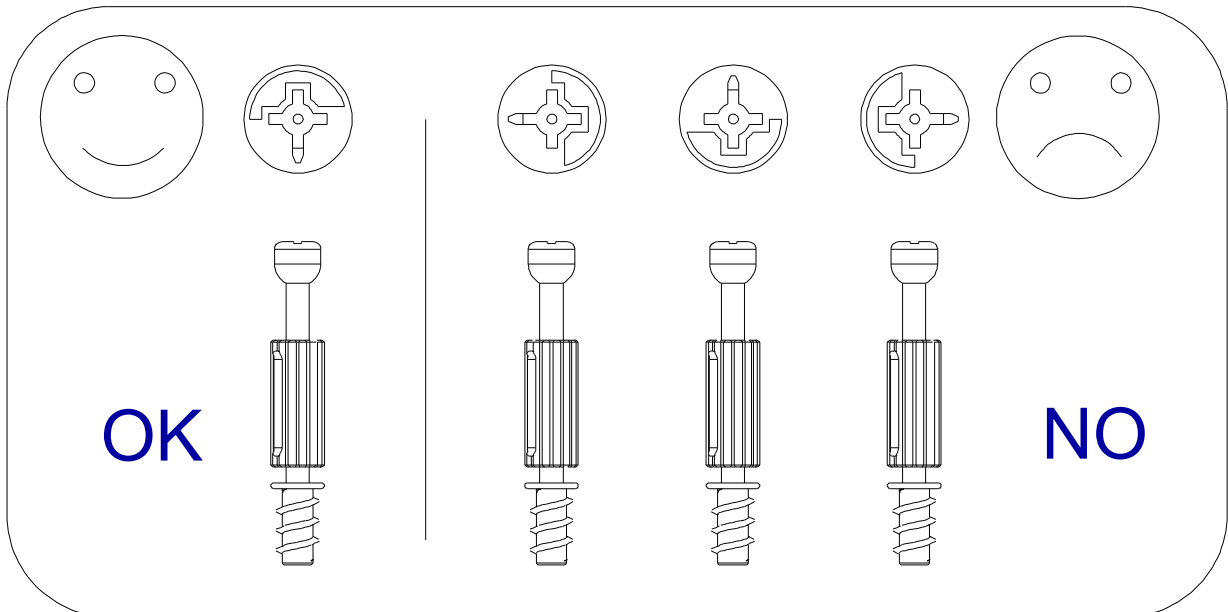
		4x30 					
R	G	H1	D	B	S3	S	A
x1	x2	x4	x4	x2	x8	x4	x4

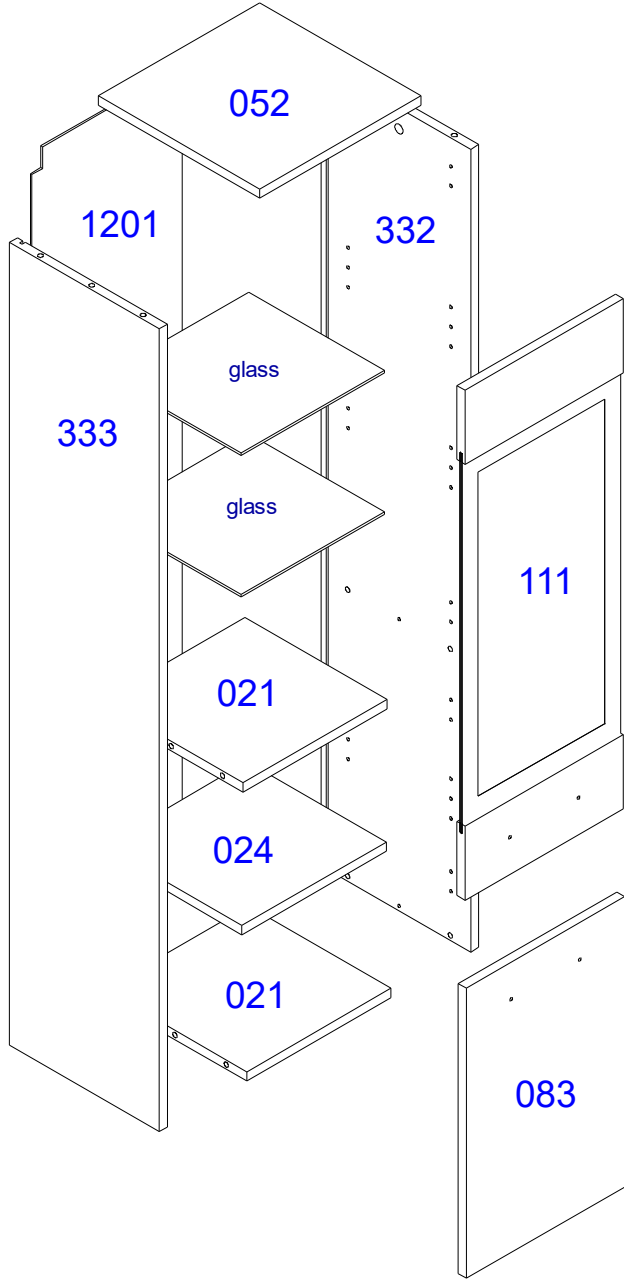
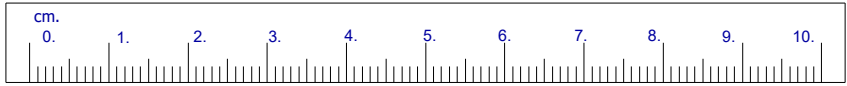
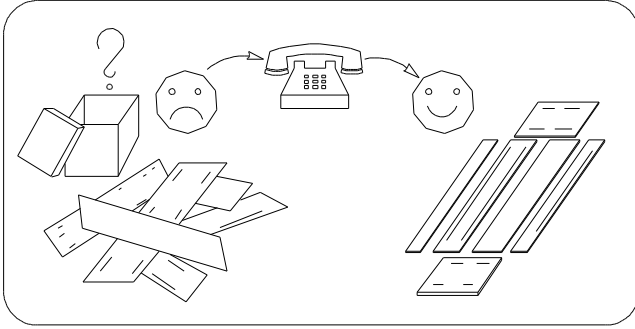
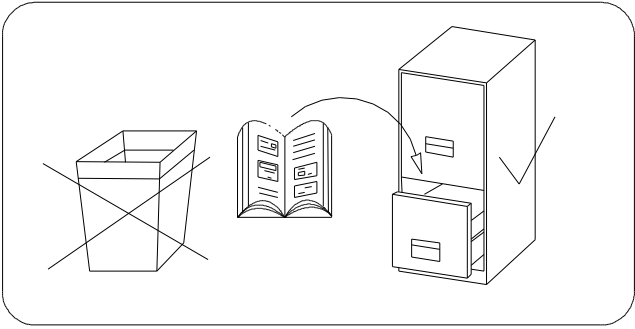
II-VIII

6,3x13 				
F2	Z	B	D	A
x8	x4	x4	x8	x2



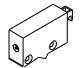

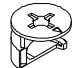
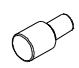


IX-XIII

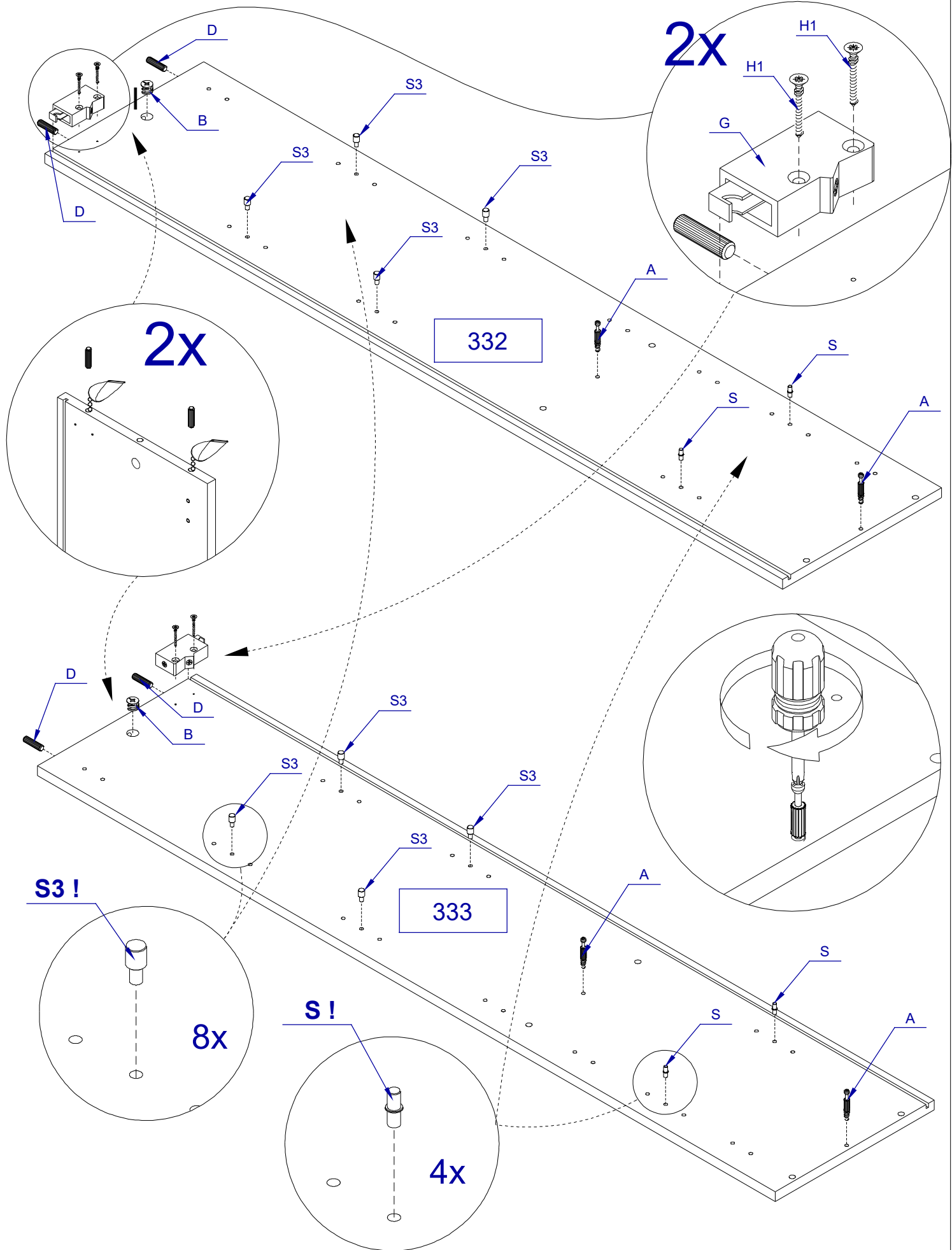
4x27 				Ø10x50 
H5	F	L	I	KR
4x	2x	x4	x6	x2



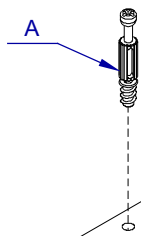


I

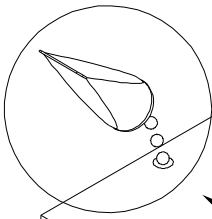
							
R	H1	G	D	B	S3	S	A
x1	x4	x2	x4	x2	x8	x4	x4



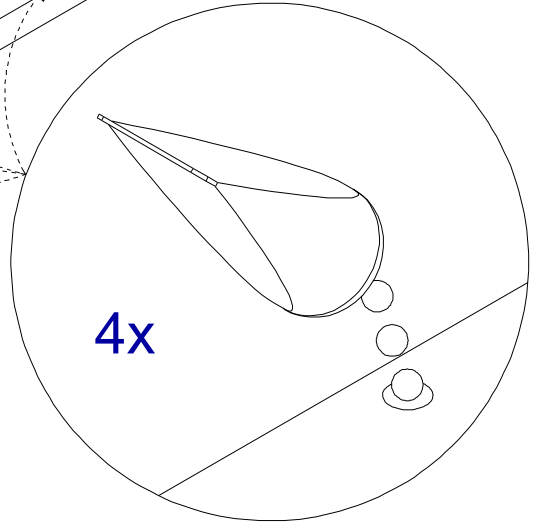
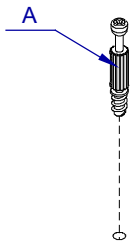
II



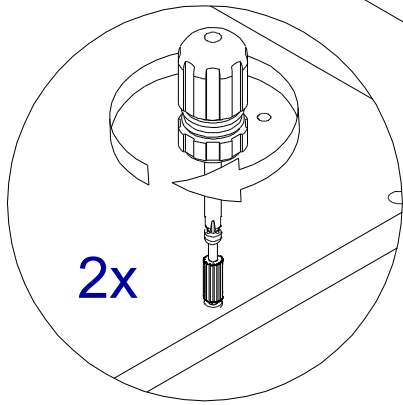
x2
A



052



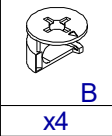
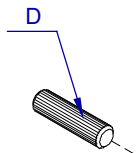
4x



2x

III

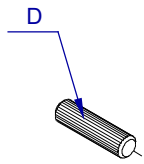
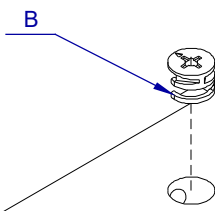
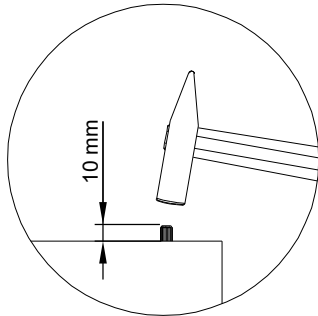
2x



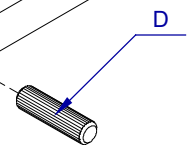
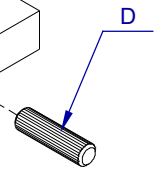
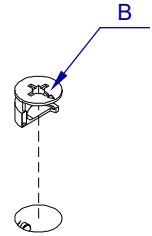
x4
B




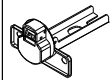
x8
D

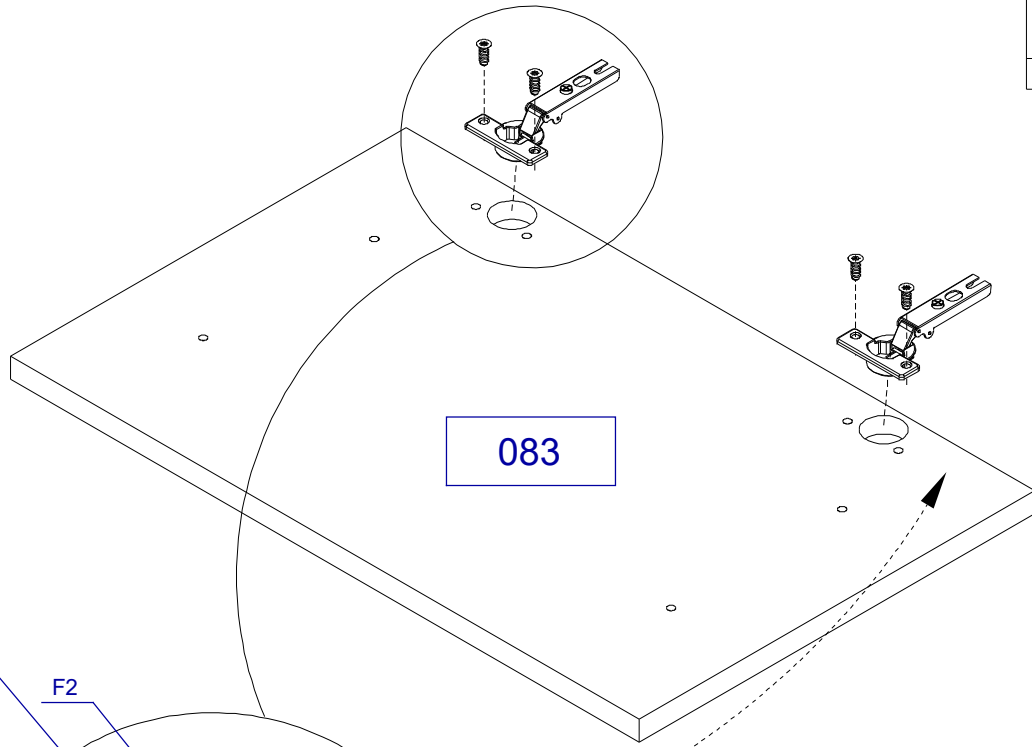


021

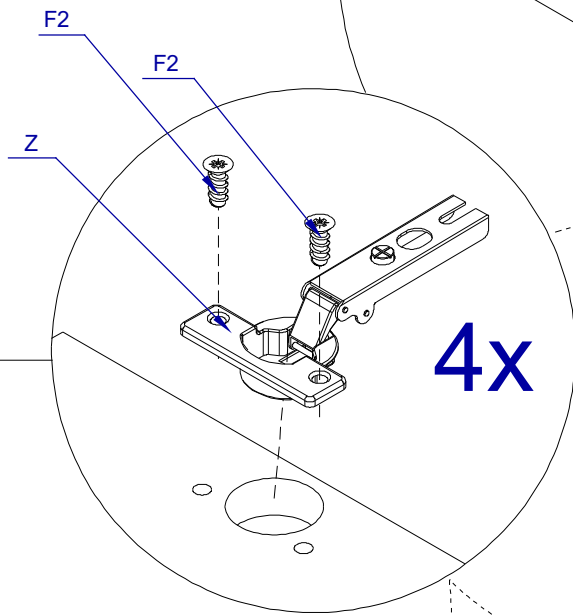


IV

6,3x13		
	F2	Z
x4		x2


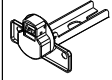


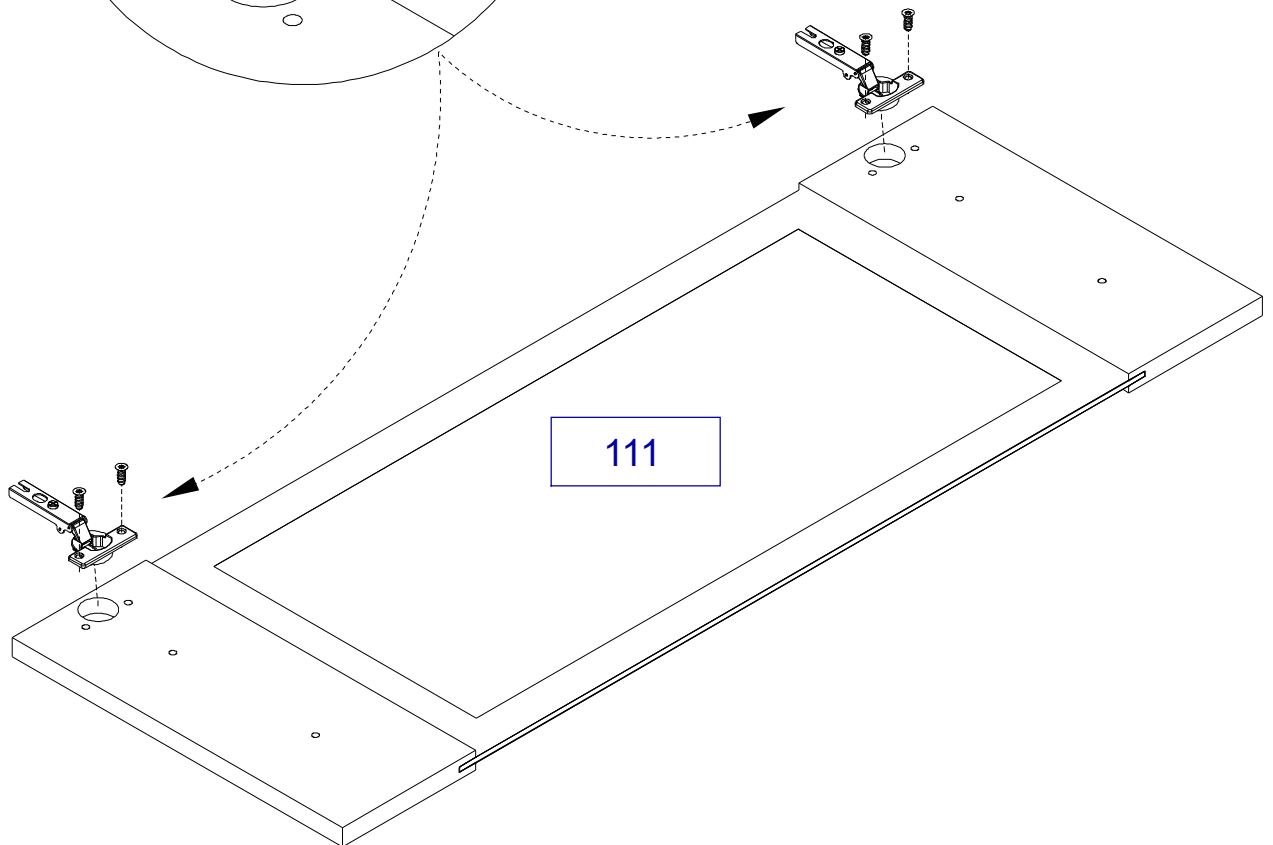
083



4x

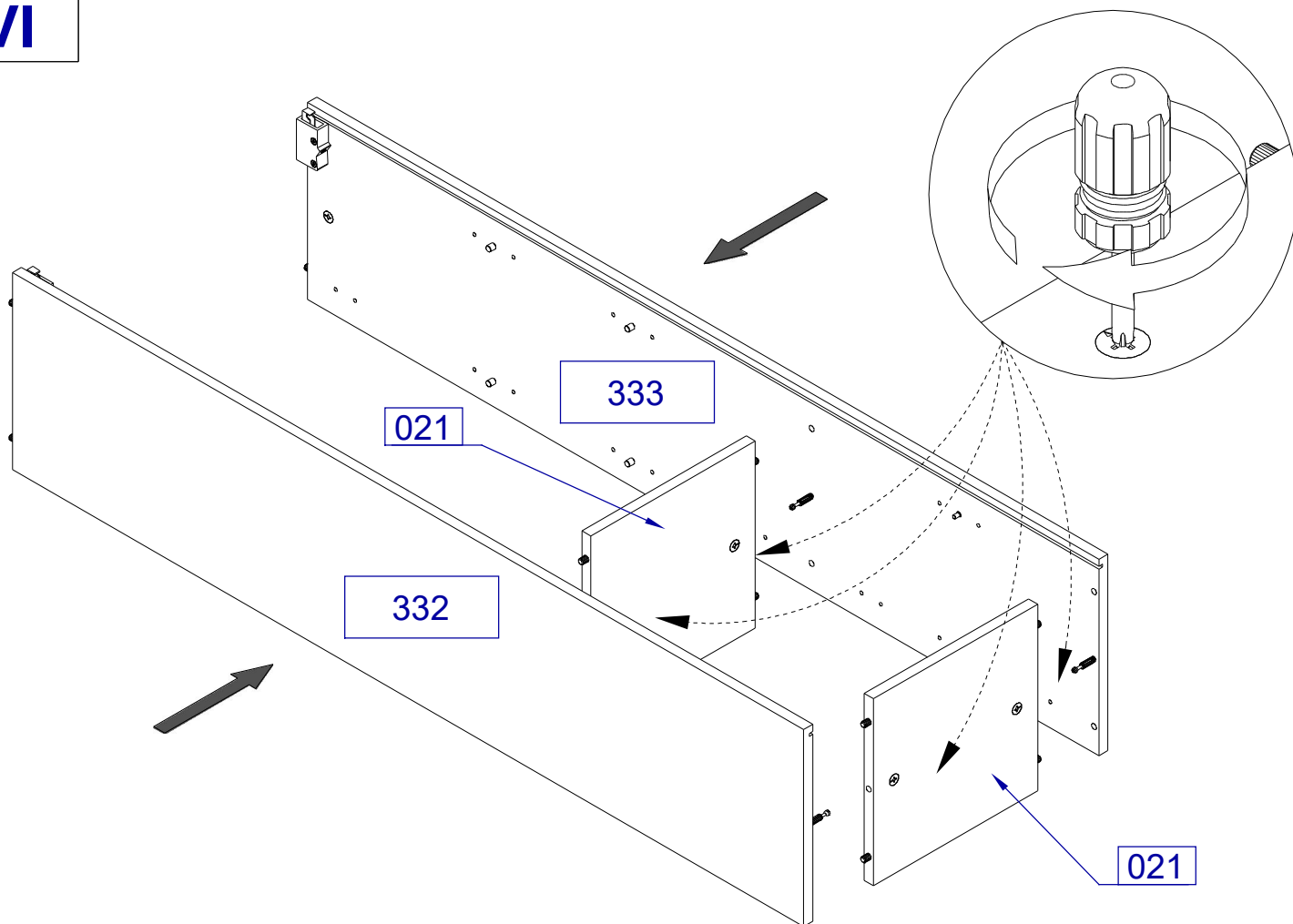
V

6,3x13		
	F2	Z
x4		x2

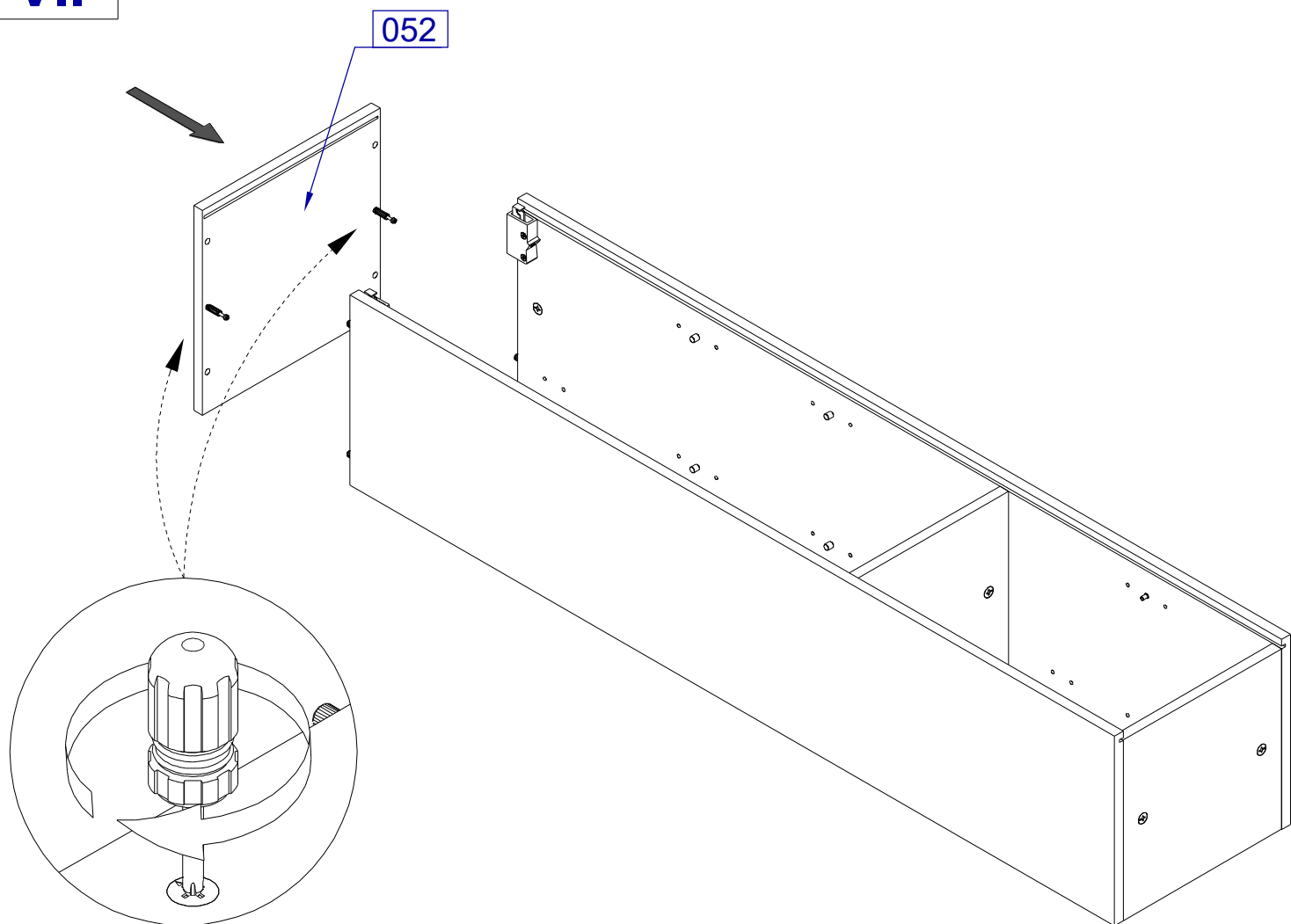


111

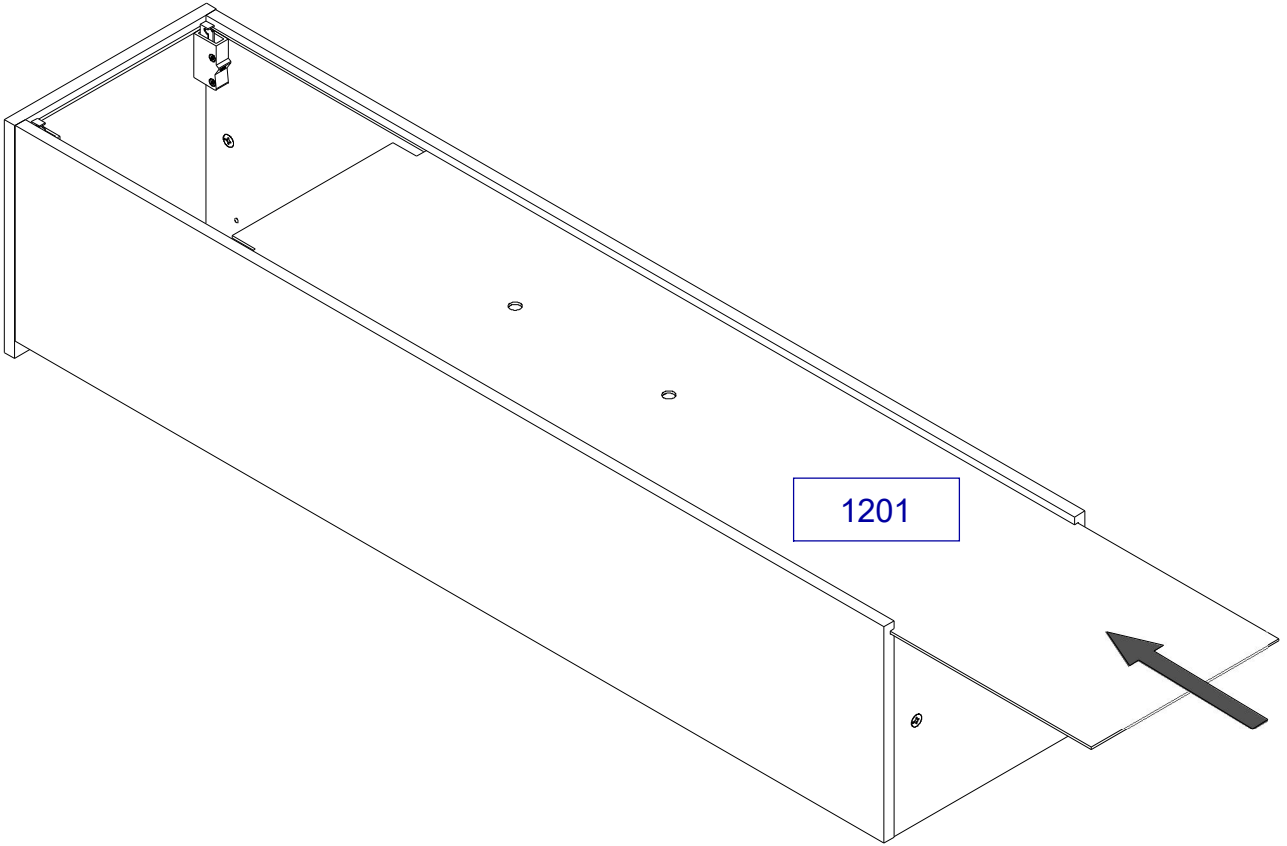
VI



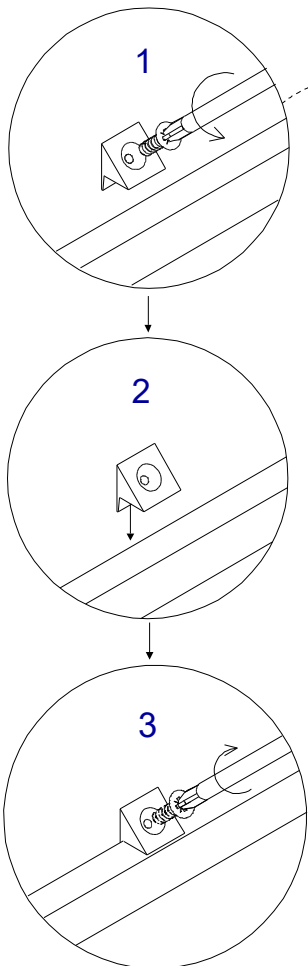
VII



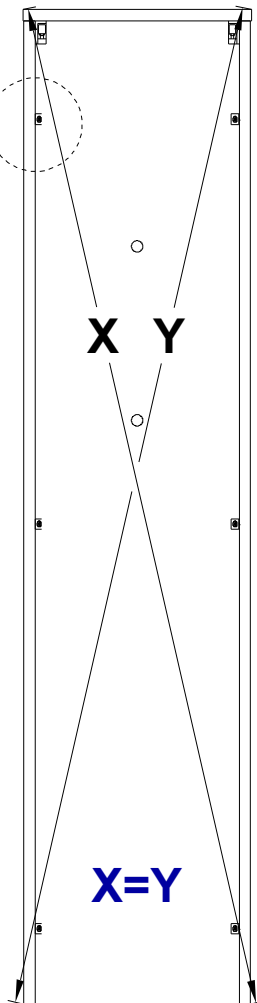
VIII



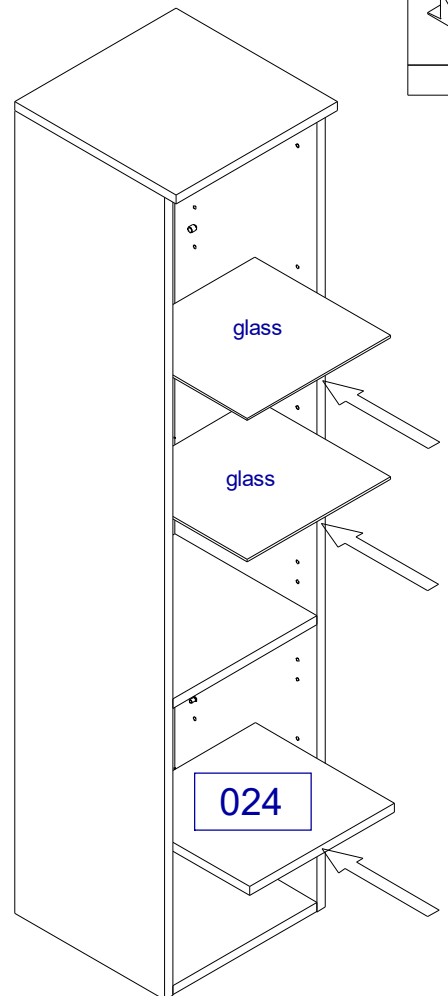
IX



6x



x6



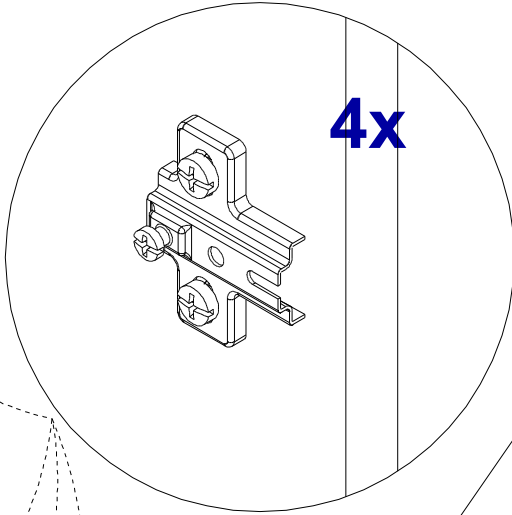
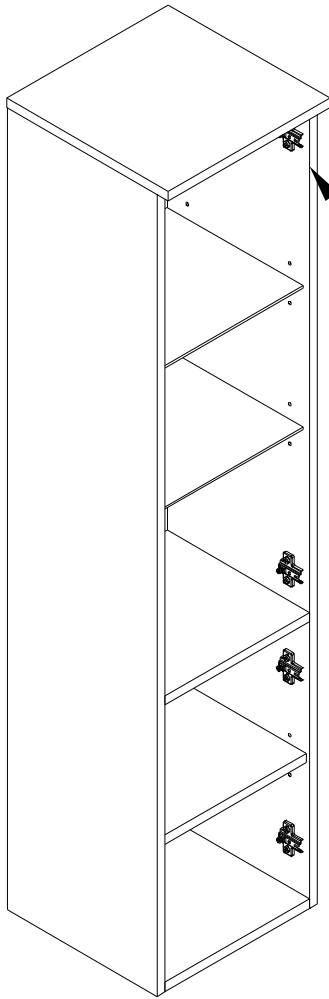
X



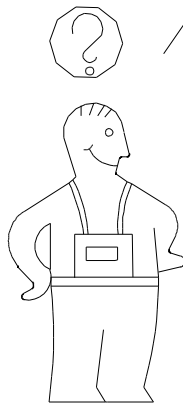
L

x4

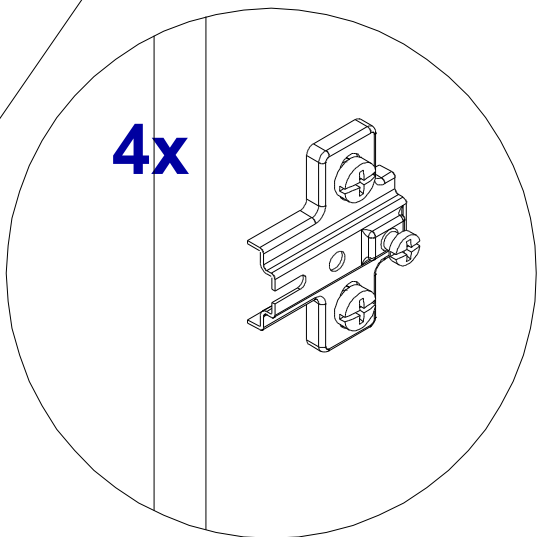
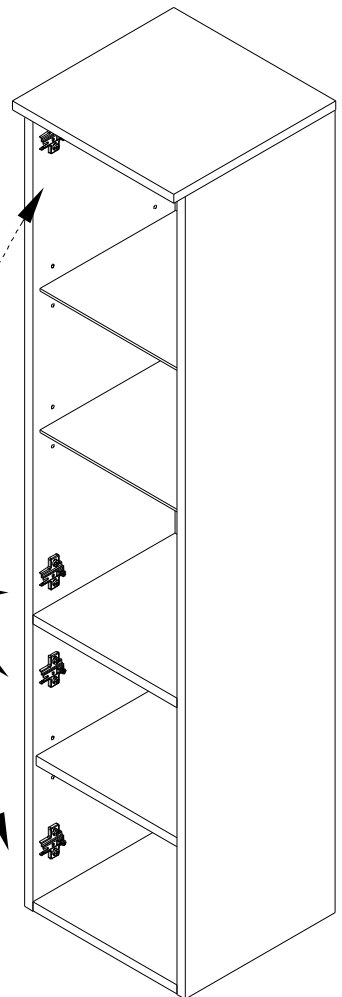
R



4x



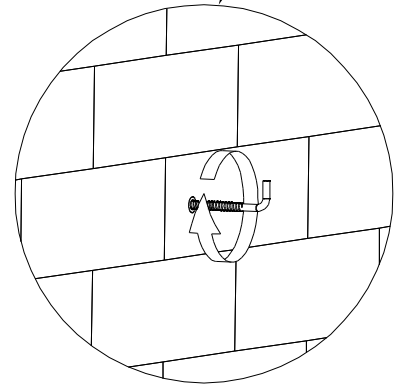
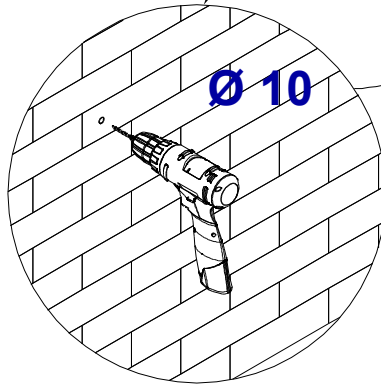
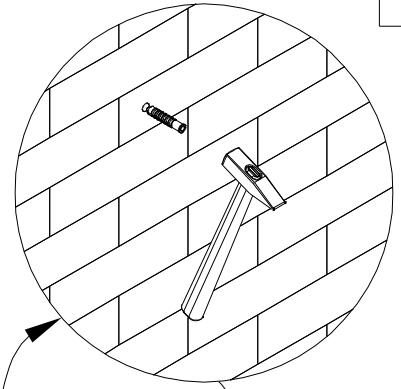
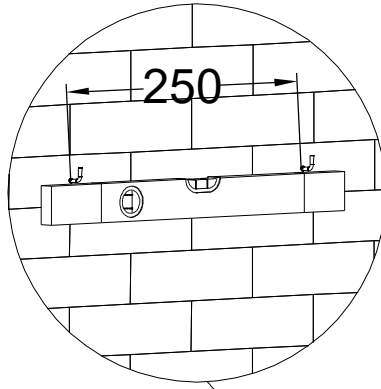
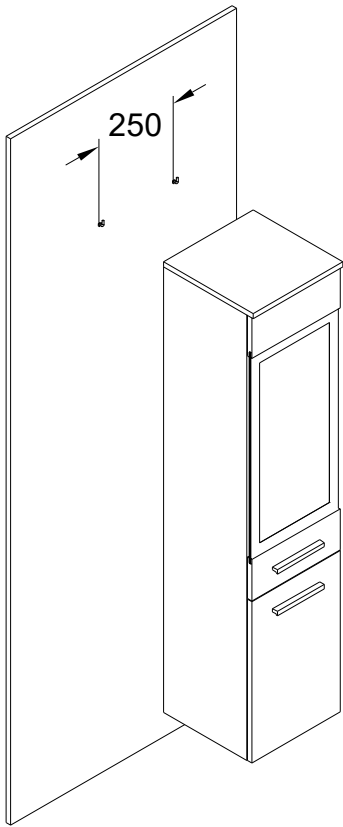
L



4x

XIII

10 mm
KR
x2



XIV

