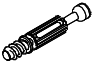

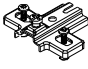
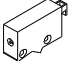





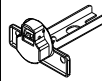







# I - II

 A	4x30  H1	 L	 G
8x	4x	x4	2x


# III - VII

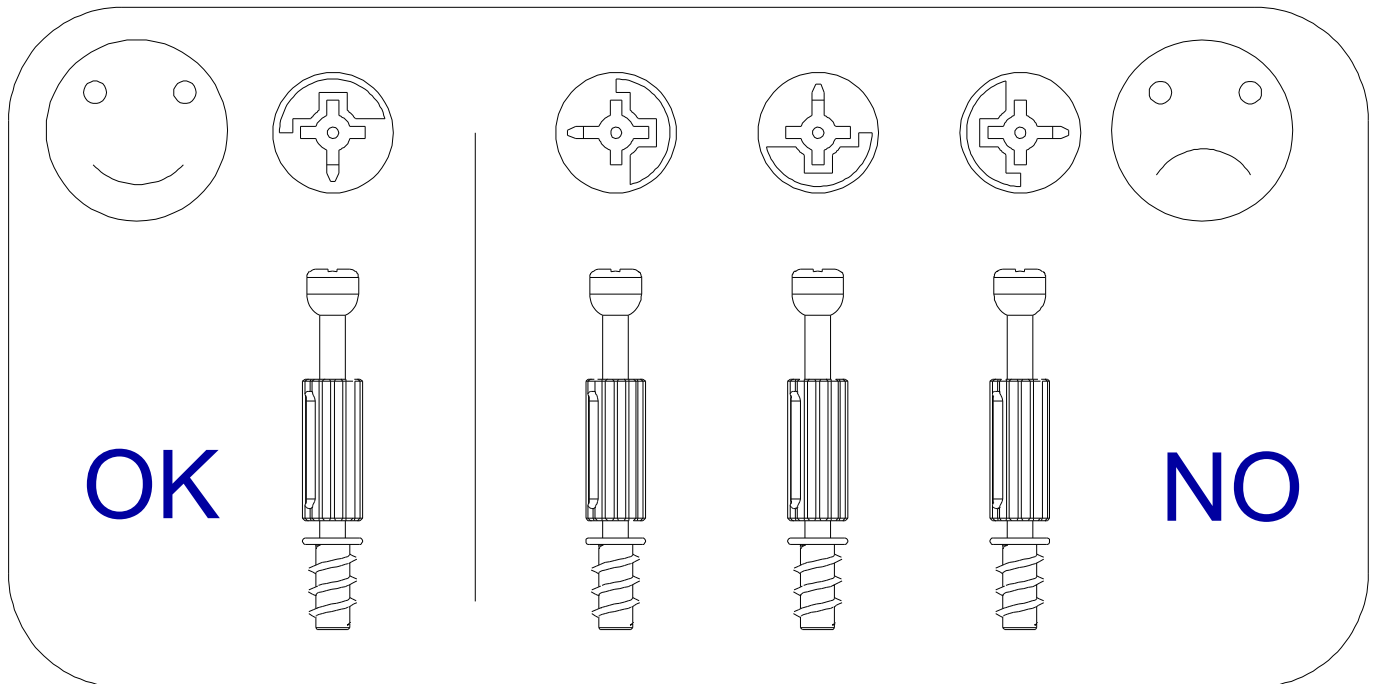
 D	 B	4x27  H5	 F	6,3x13  F2	 Z
12x	8x	x1	2x	8x	4x

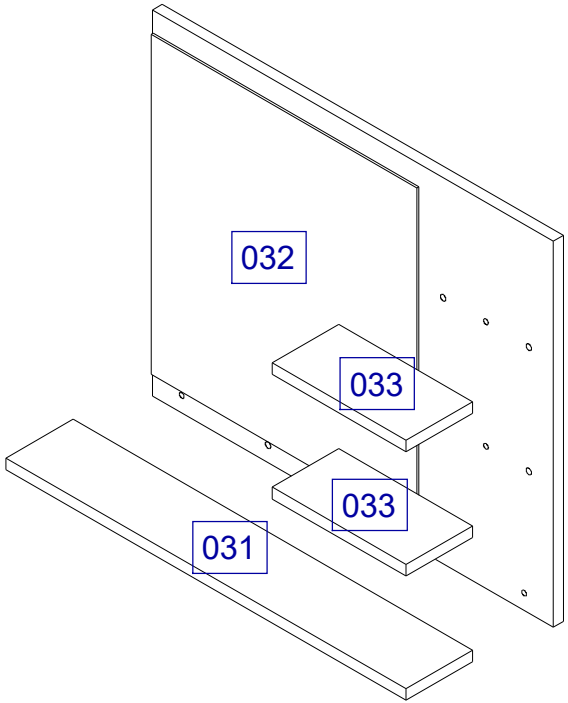
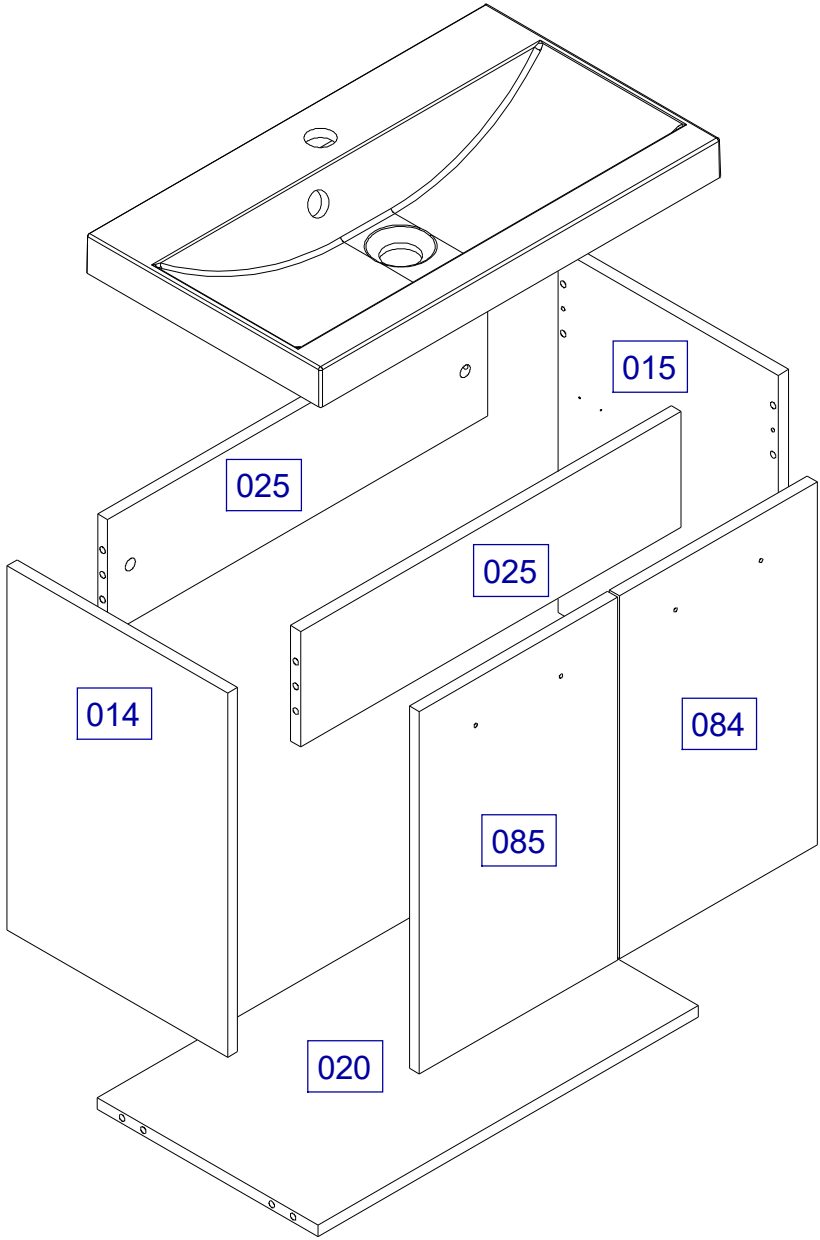
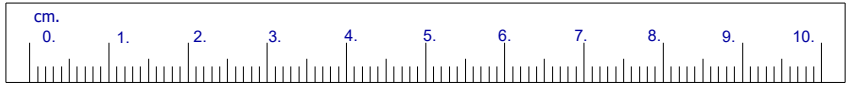
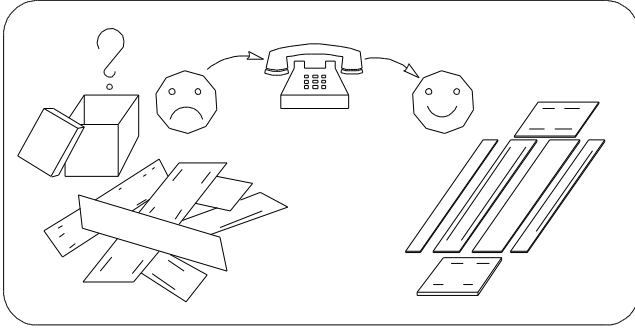
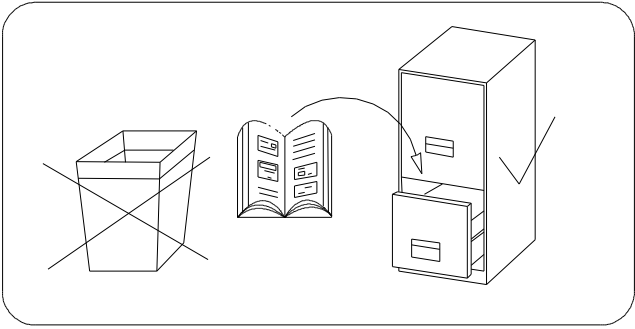
# X-XIII

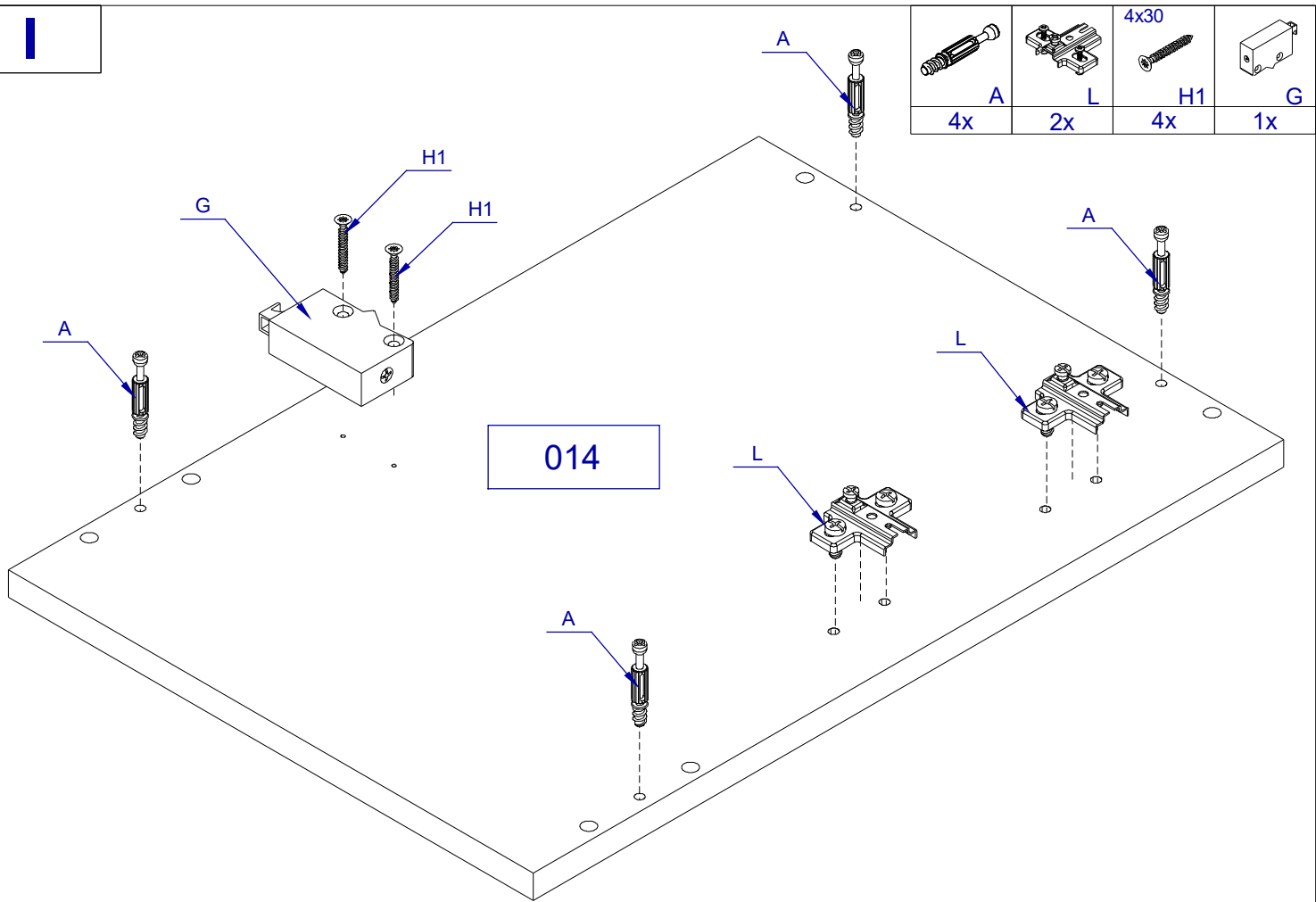
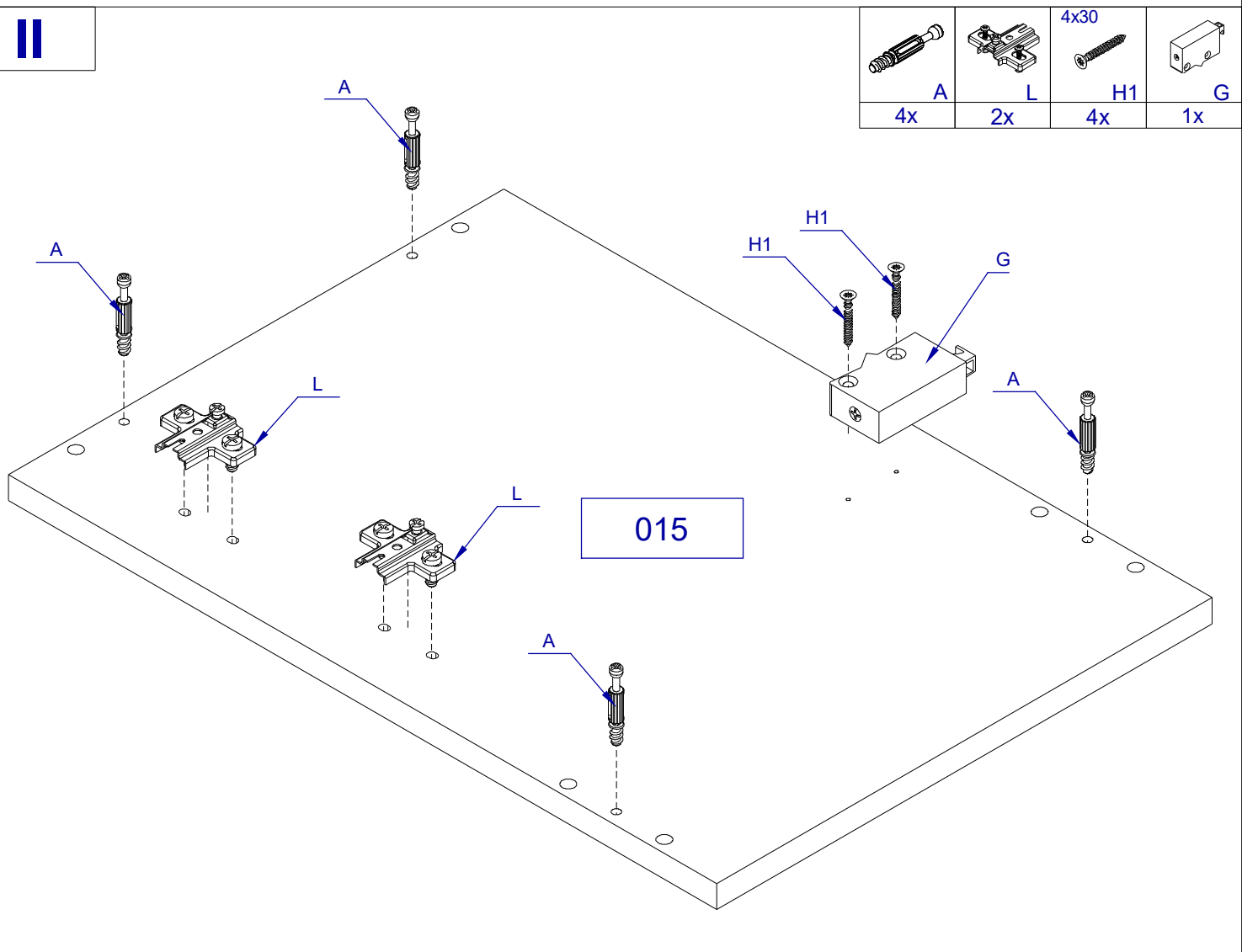
 D	3x13  H	7x50  O	 U	 Y1
6x	4x	5x	x1	2x

# XIV

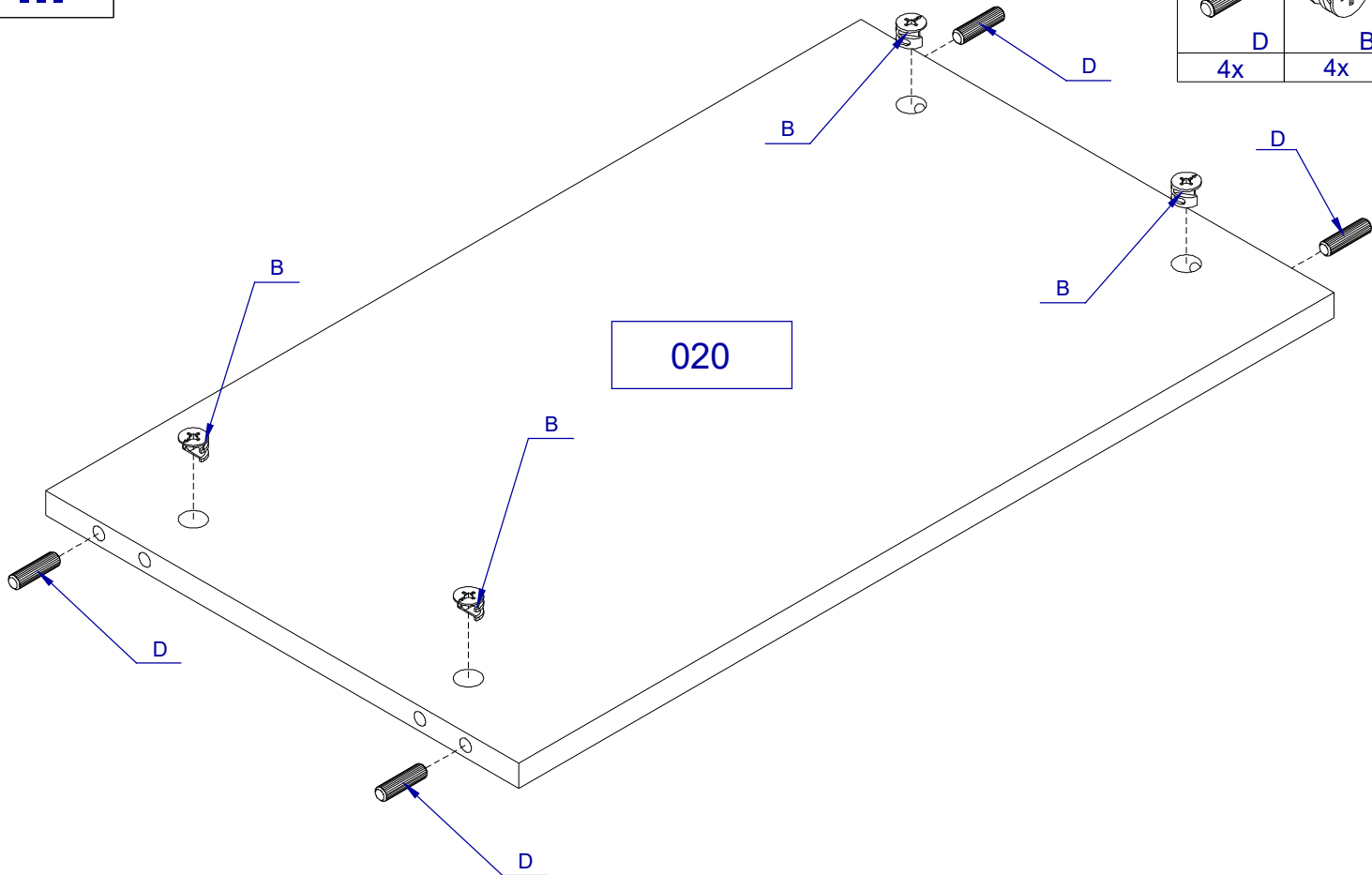
10 mm  KR
x4





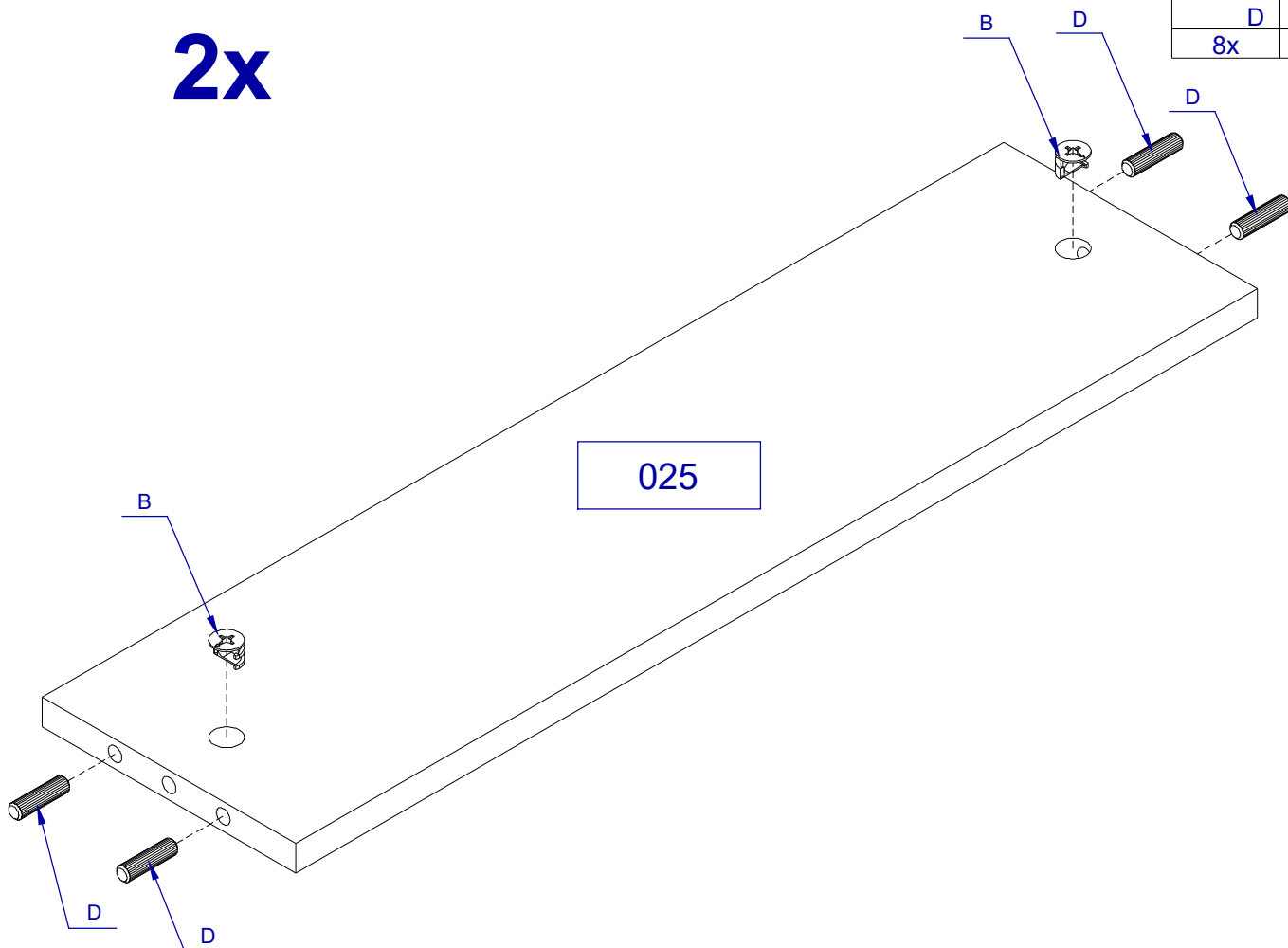
**I****II**

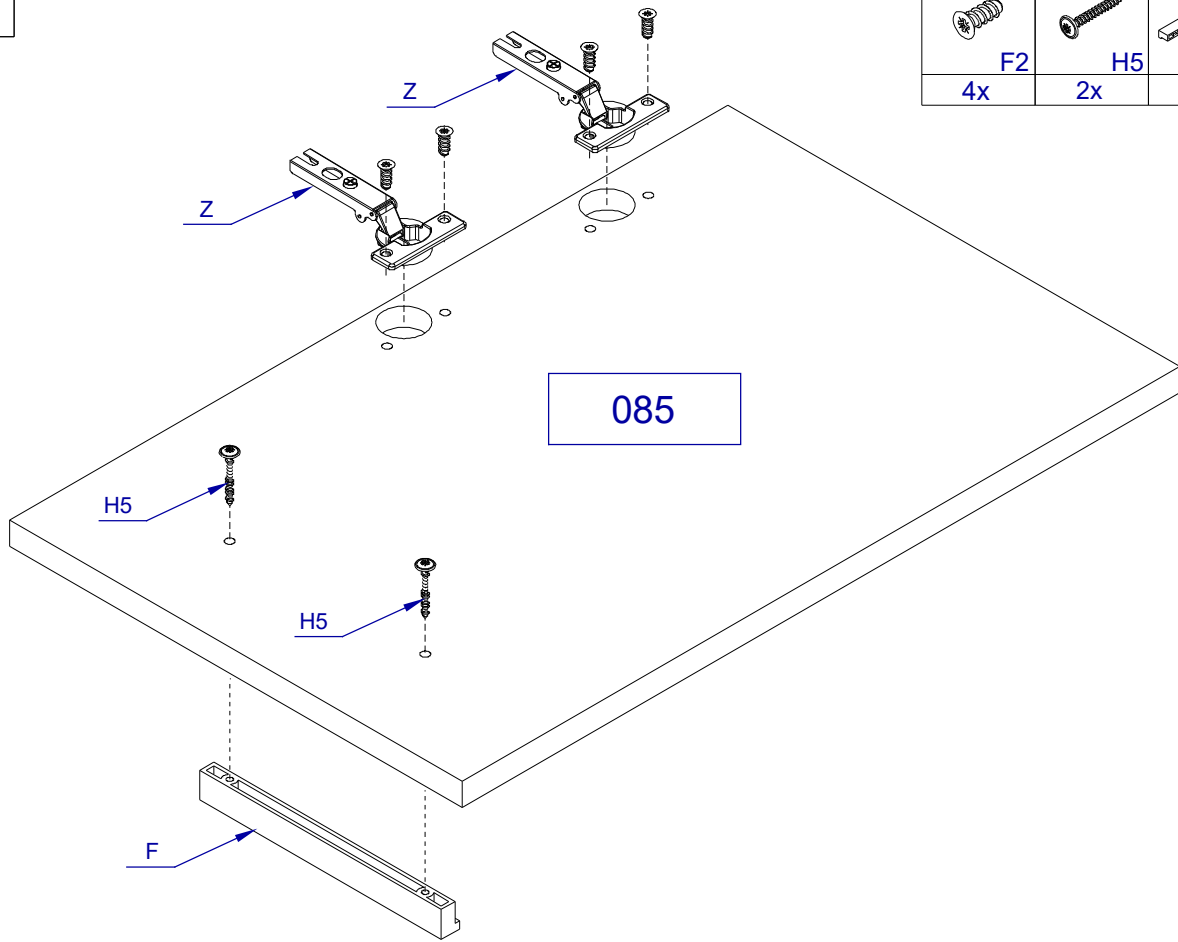
III




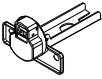


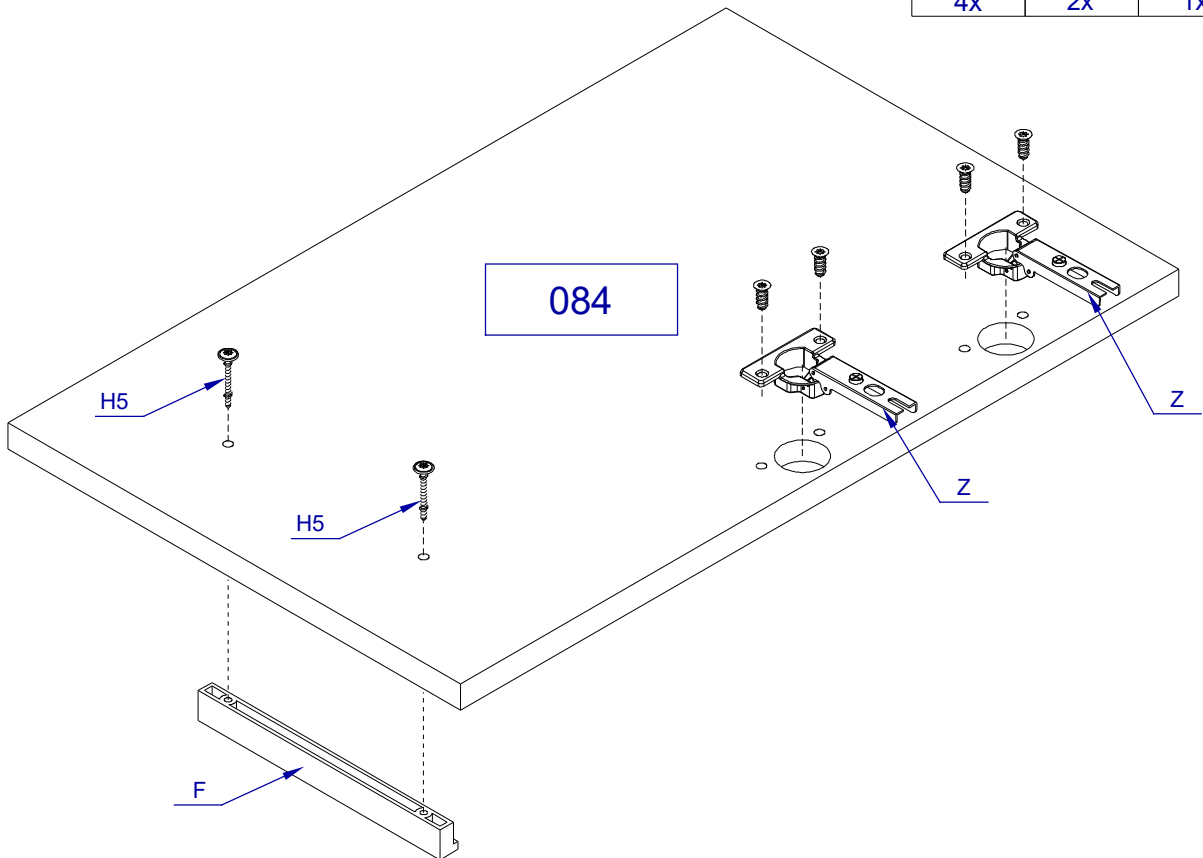
IV




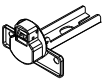
2x



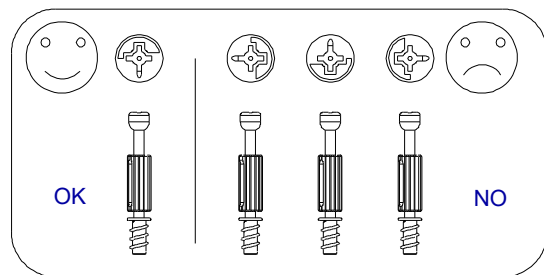
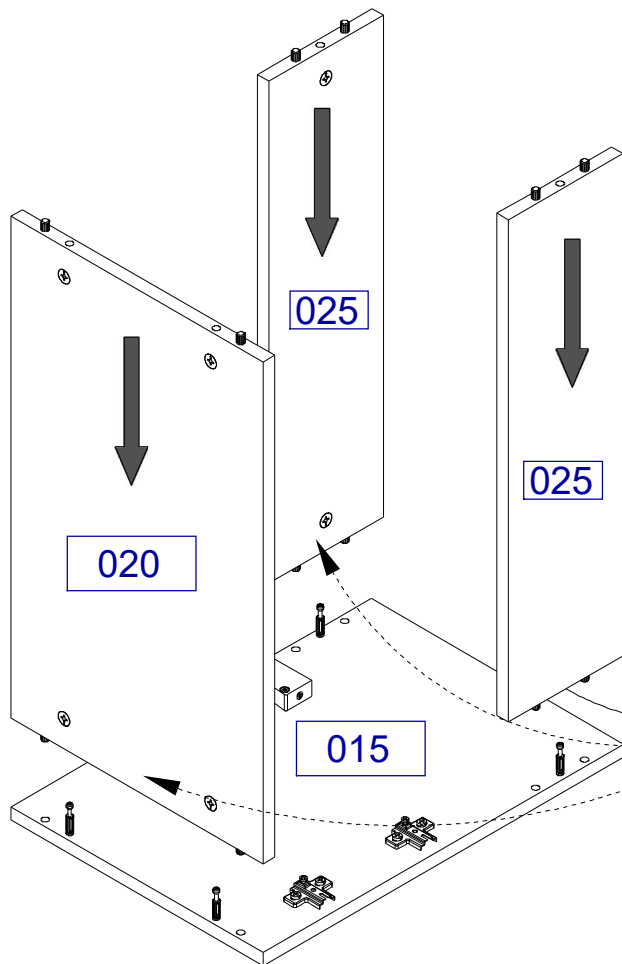
**V**

6,3x13 	4x27 		
F2	H5	F	Z
4x	2x	1x	2x

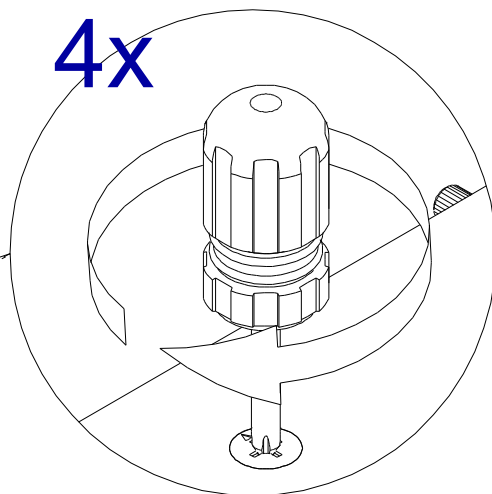
**VI**

6,3x13 	4x27 		
F2	H5	F	Z
4x	2x	1x	2x

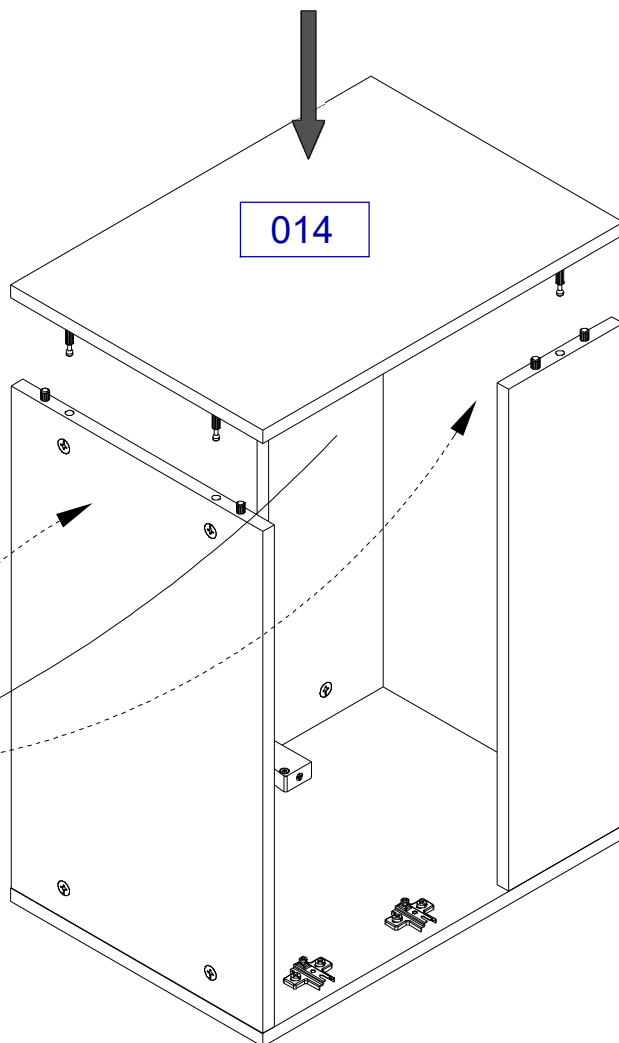
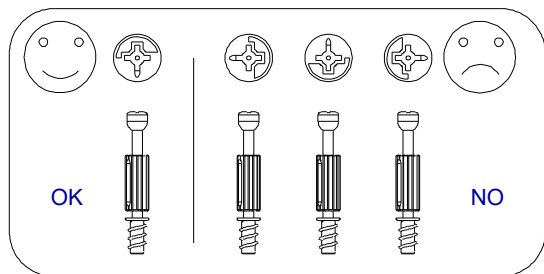
# VII



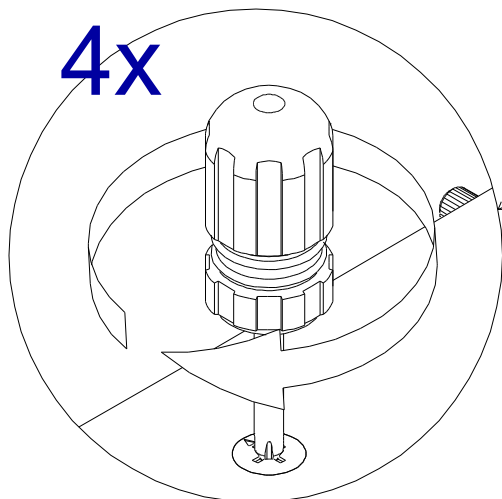
4x



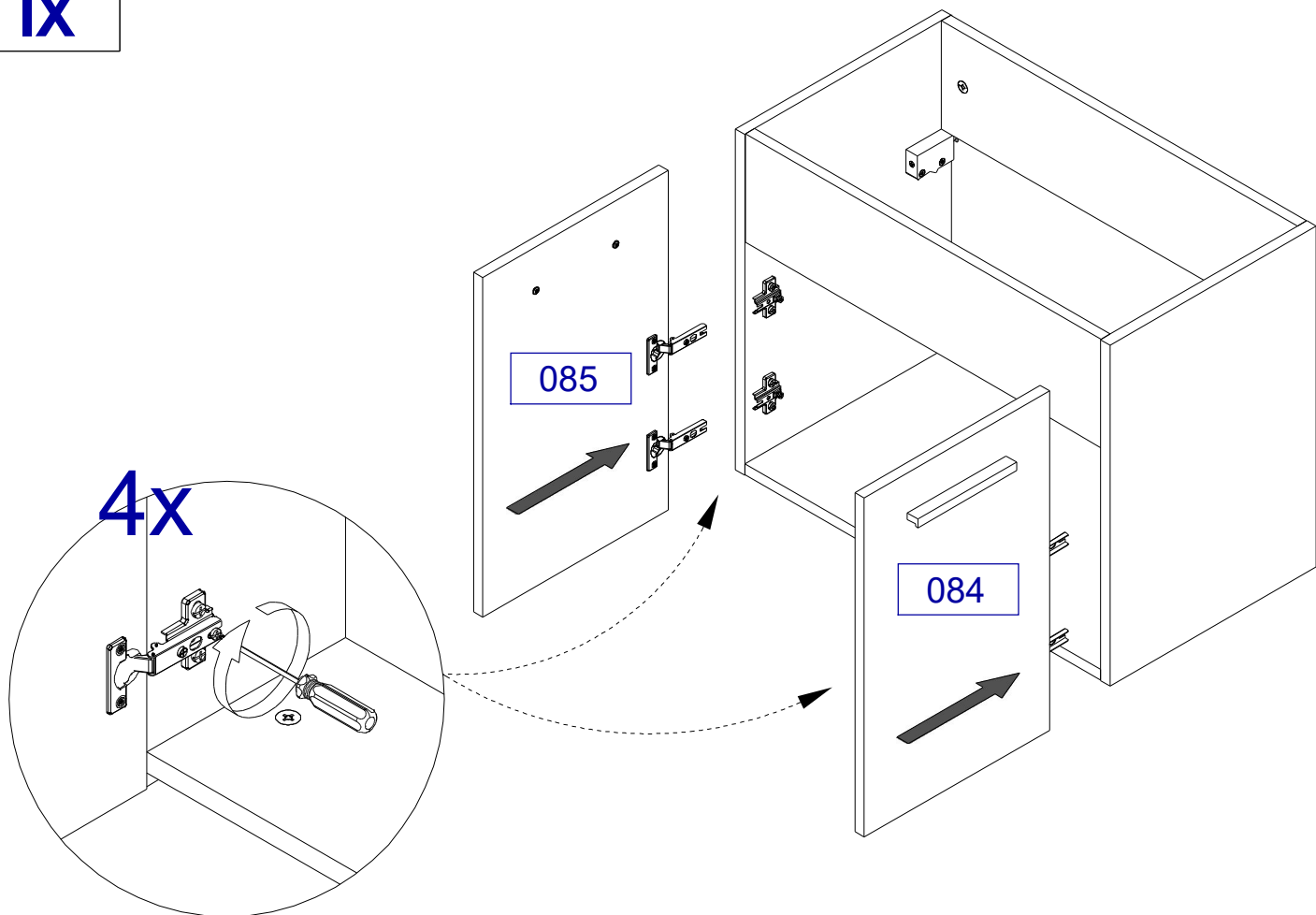
# VIII



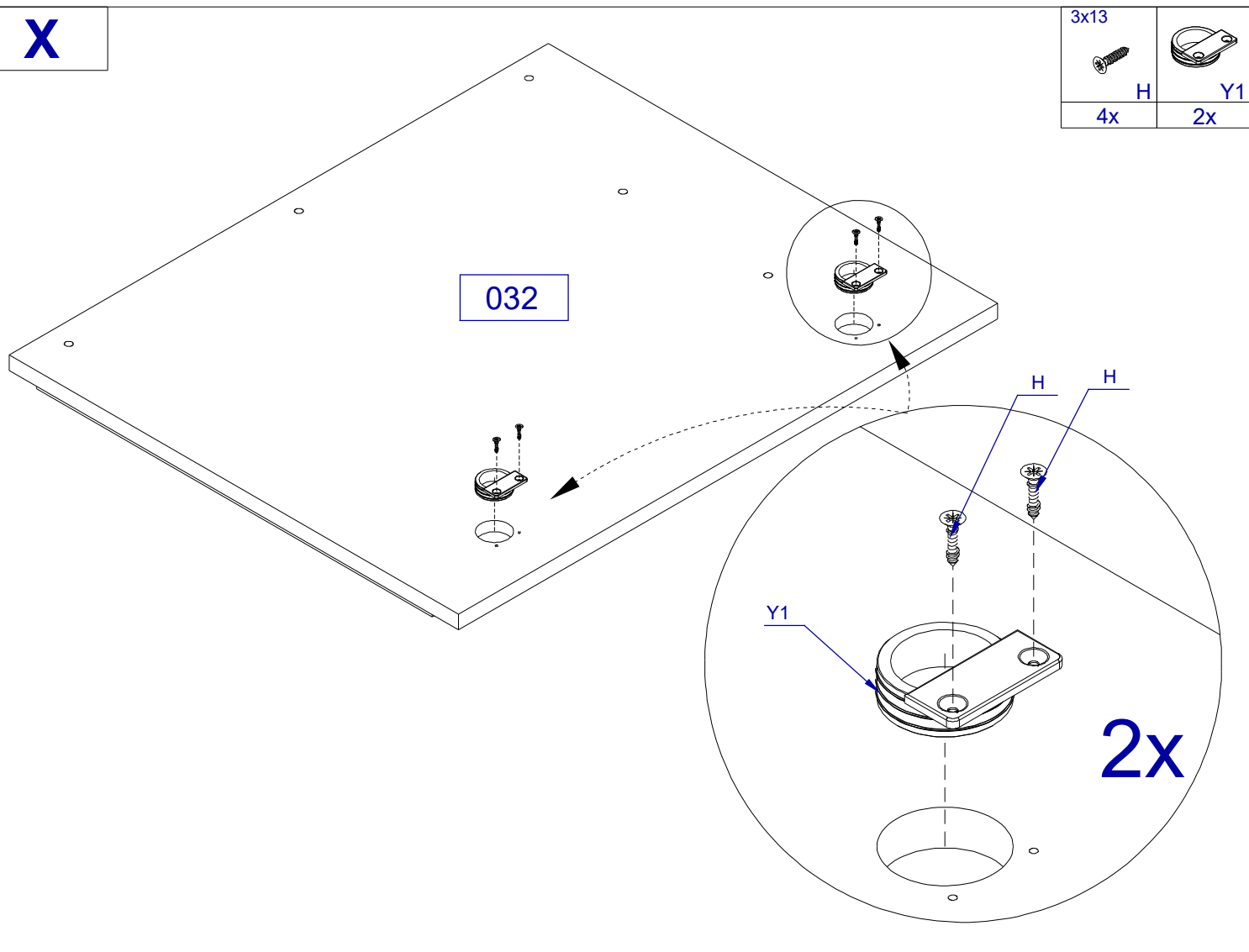
4x



**IX**



**X**

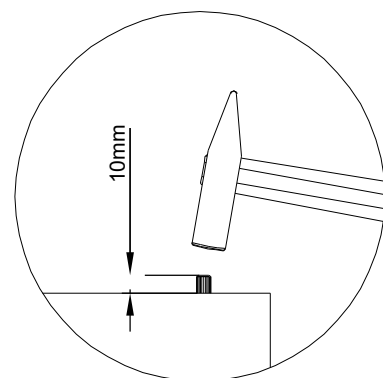
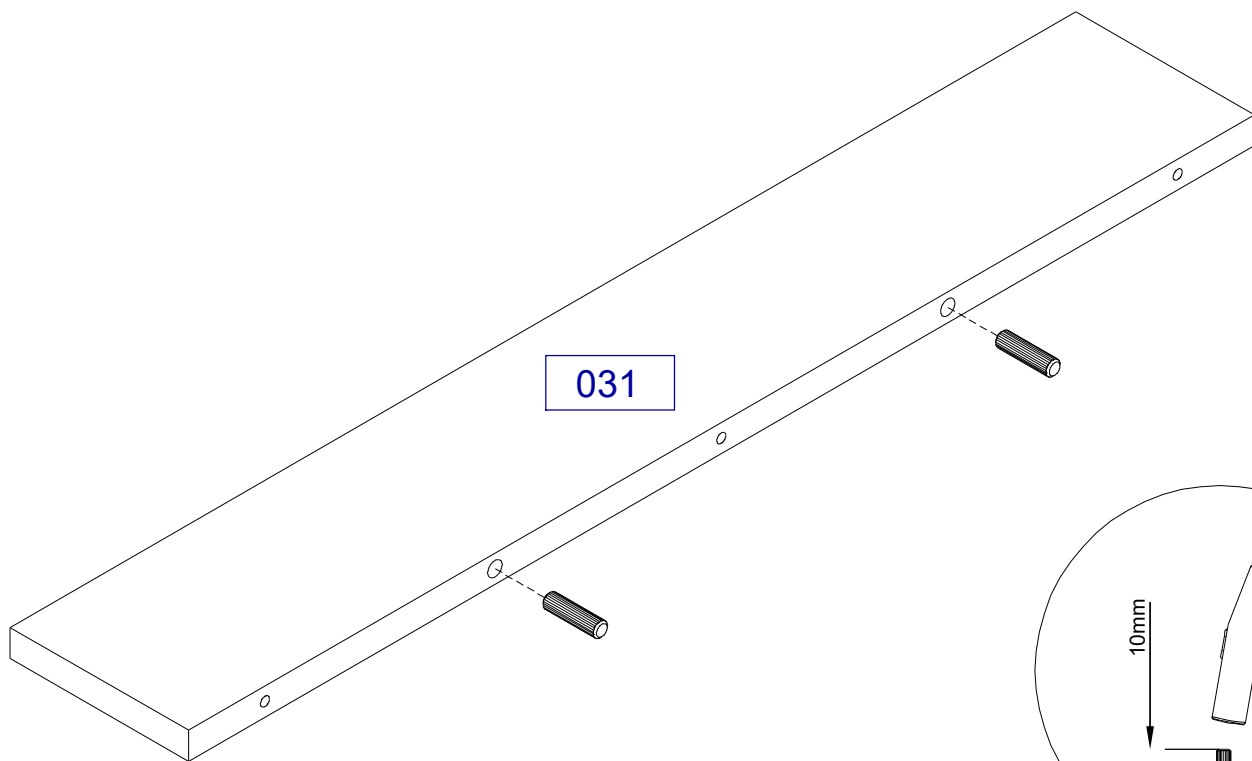




**XI**



D  
2x

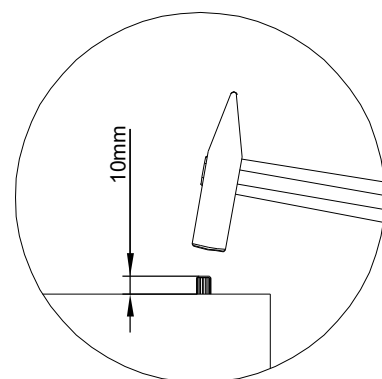
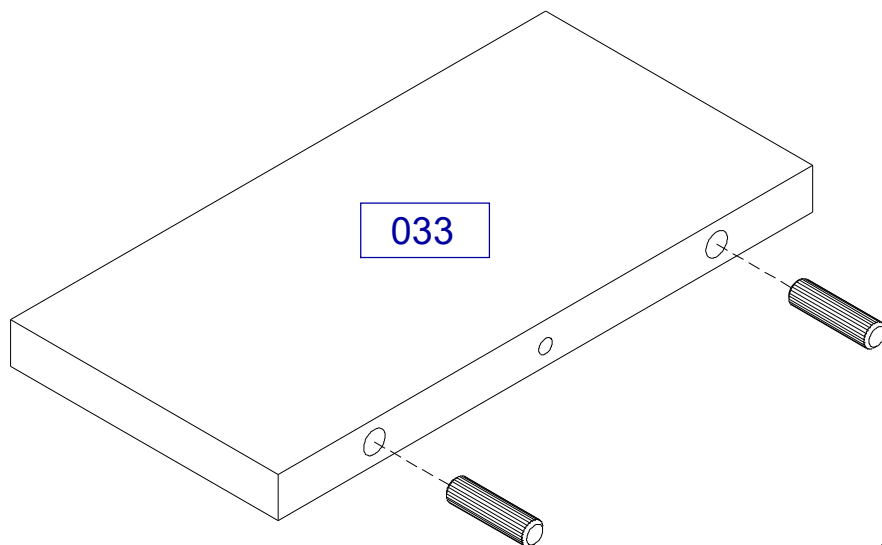


**XII**

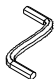


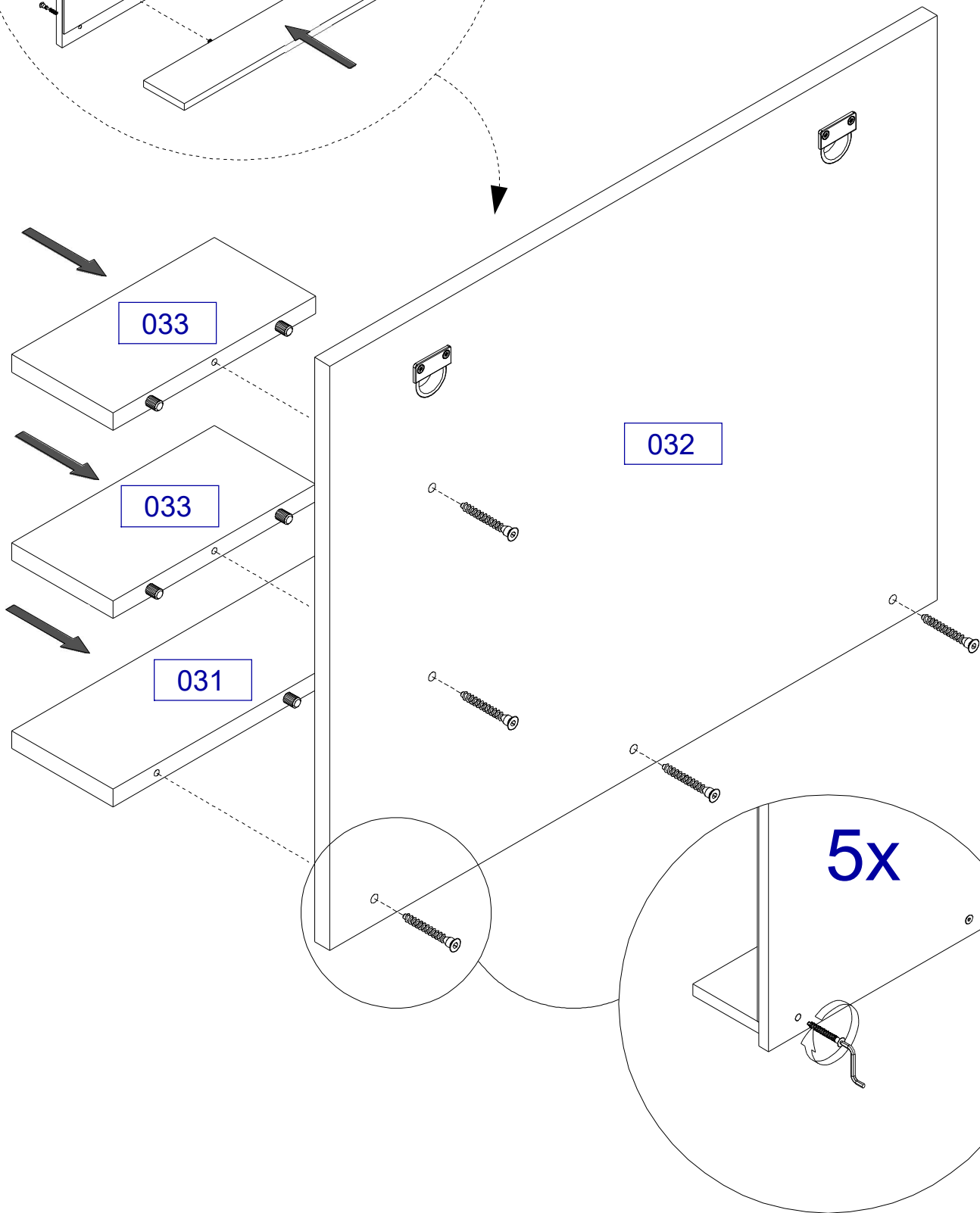
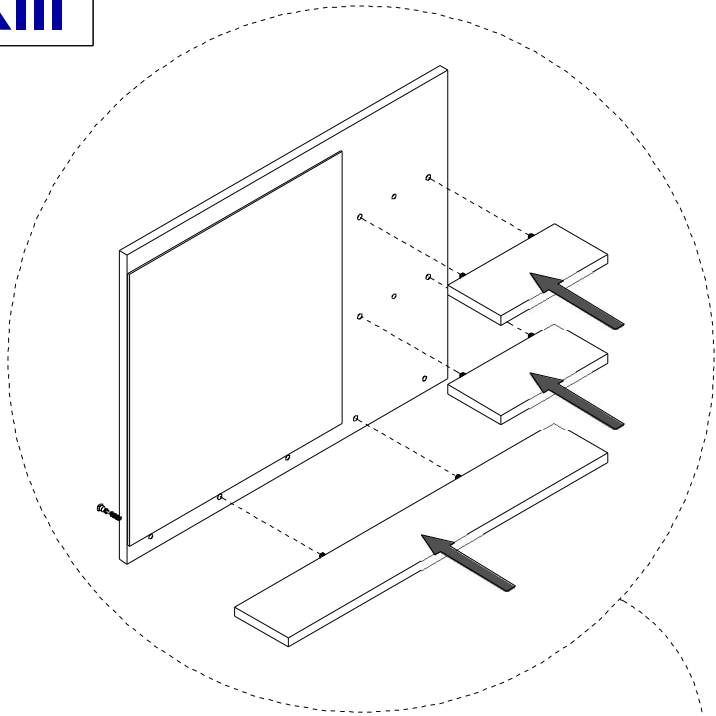
D  
4x

**2x**



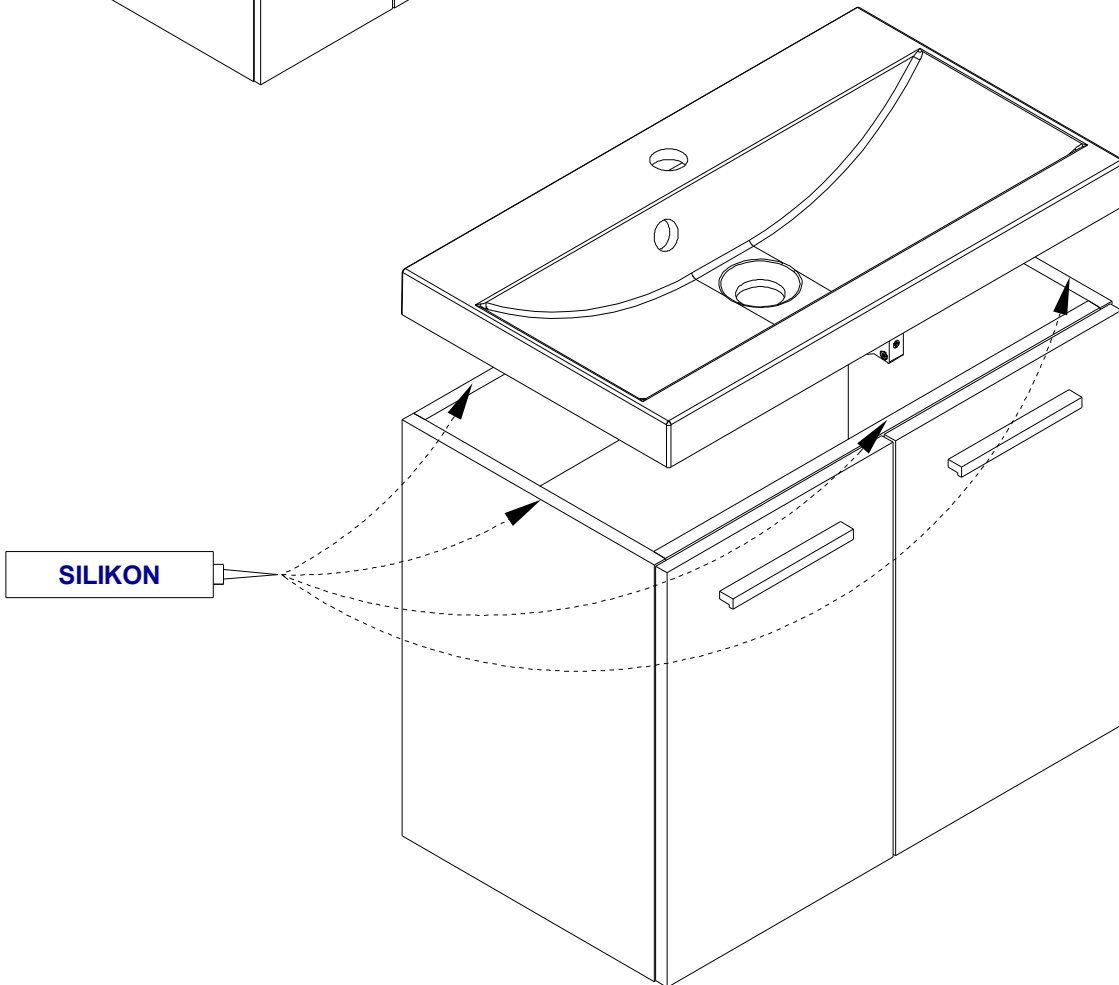
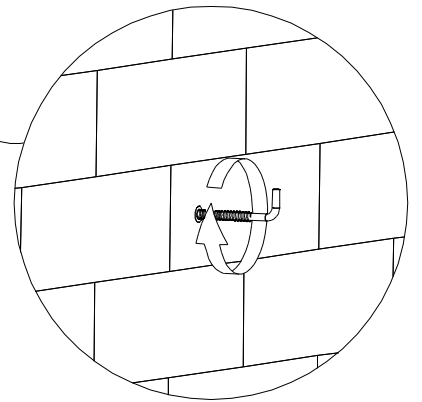
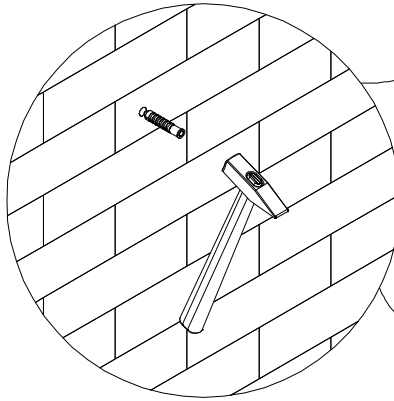
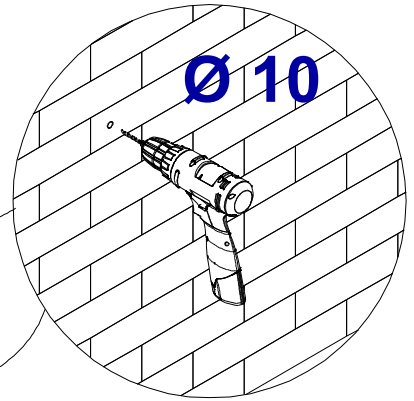
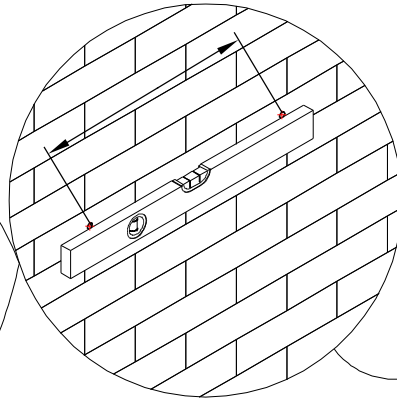
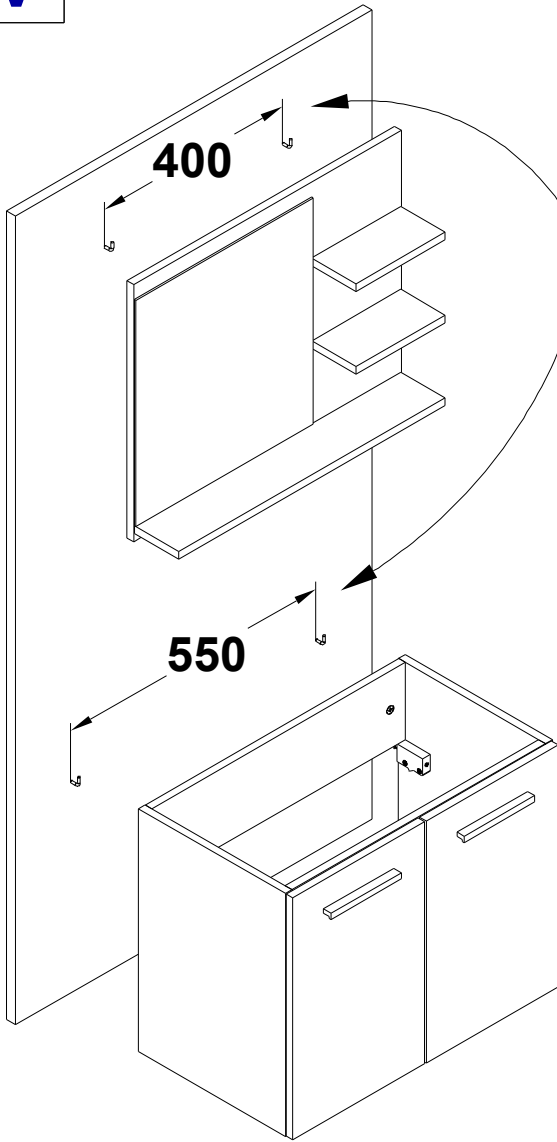
# XIII

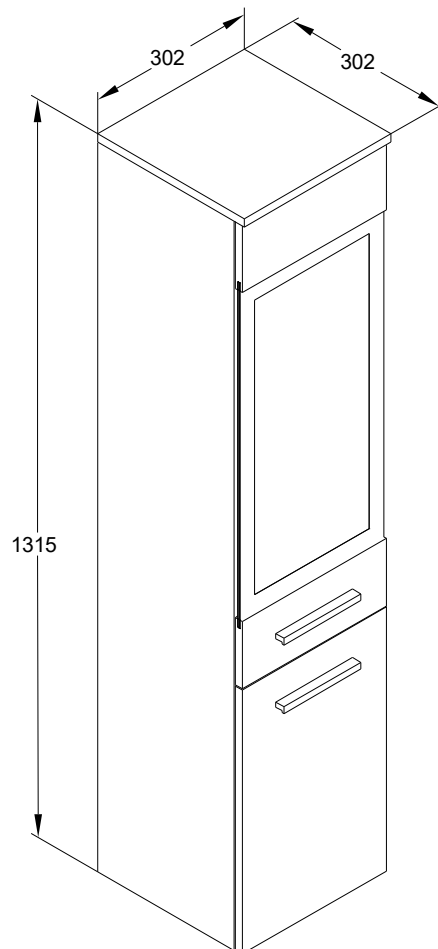
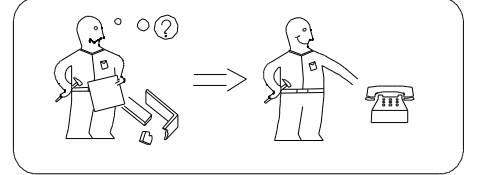
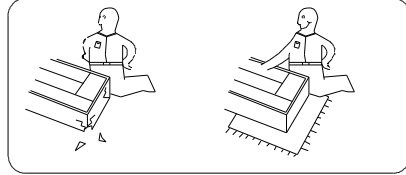
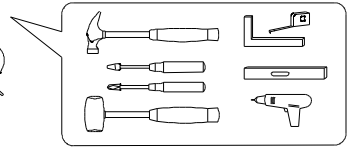
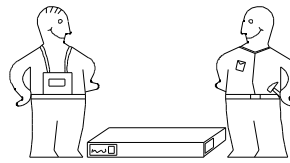
	7x50
U	O
1x	5x




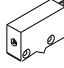

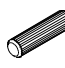
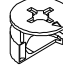
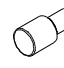

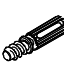
**XIV**

10 mm  
KR  
x4


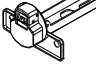
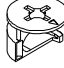











# I

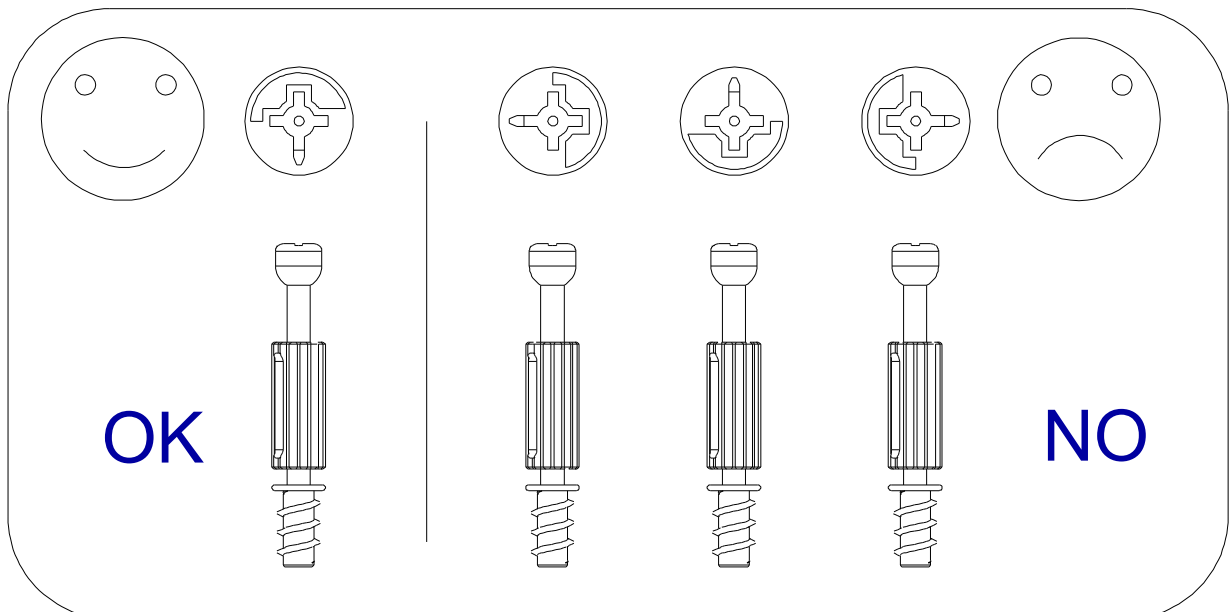
		4x30 					
R	G	H1	D	B	S3	S	A
x1	x2	x4	x4	x2	x8	x4	x4

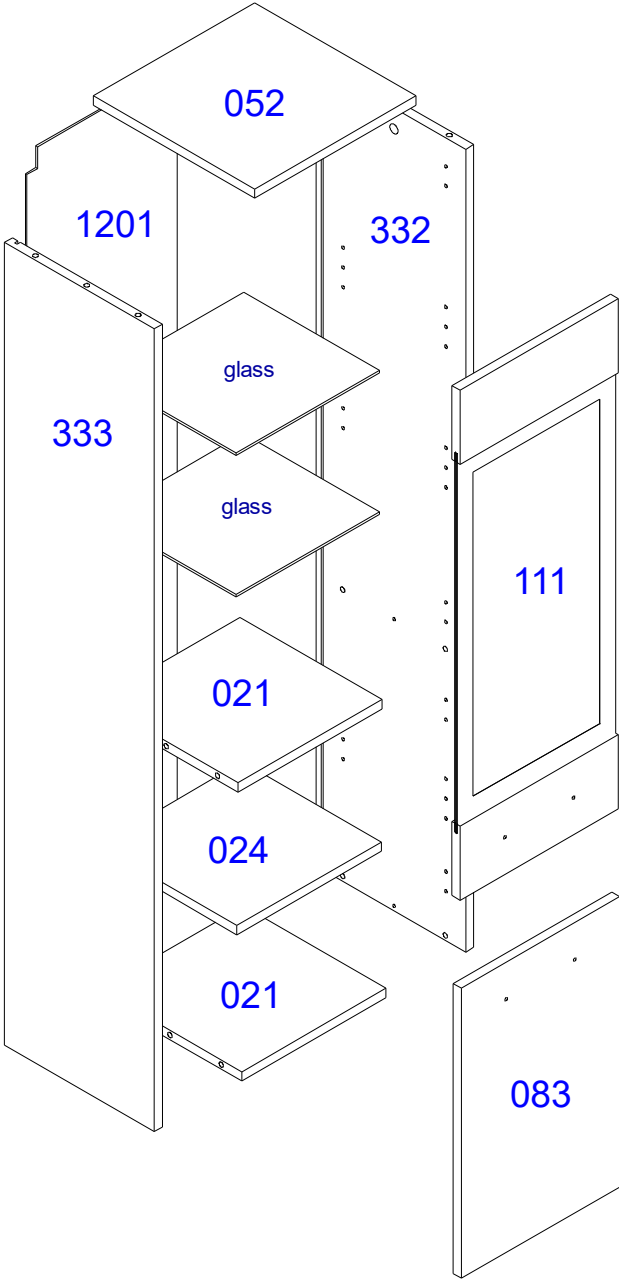
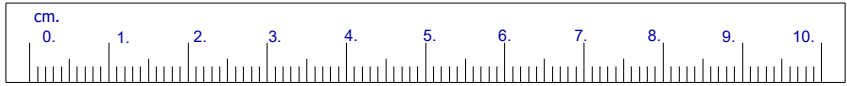
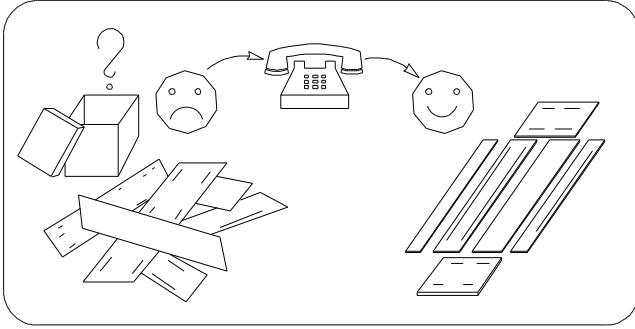
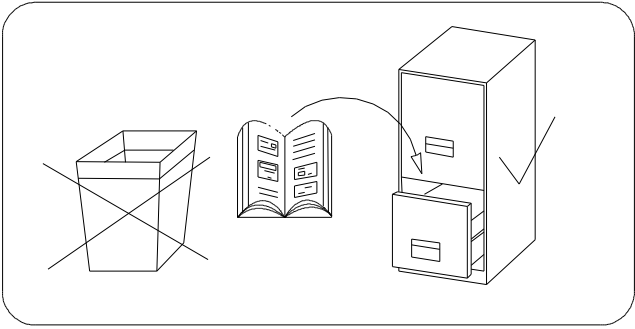
# II-VIII

6,3x13 				
F2	Z	B	D	A
x8	x4	x4	x8	x2



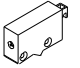
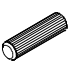
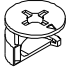
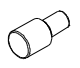


# IX-XIII

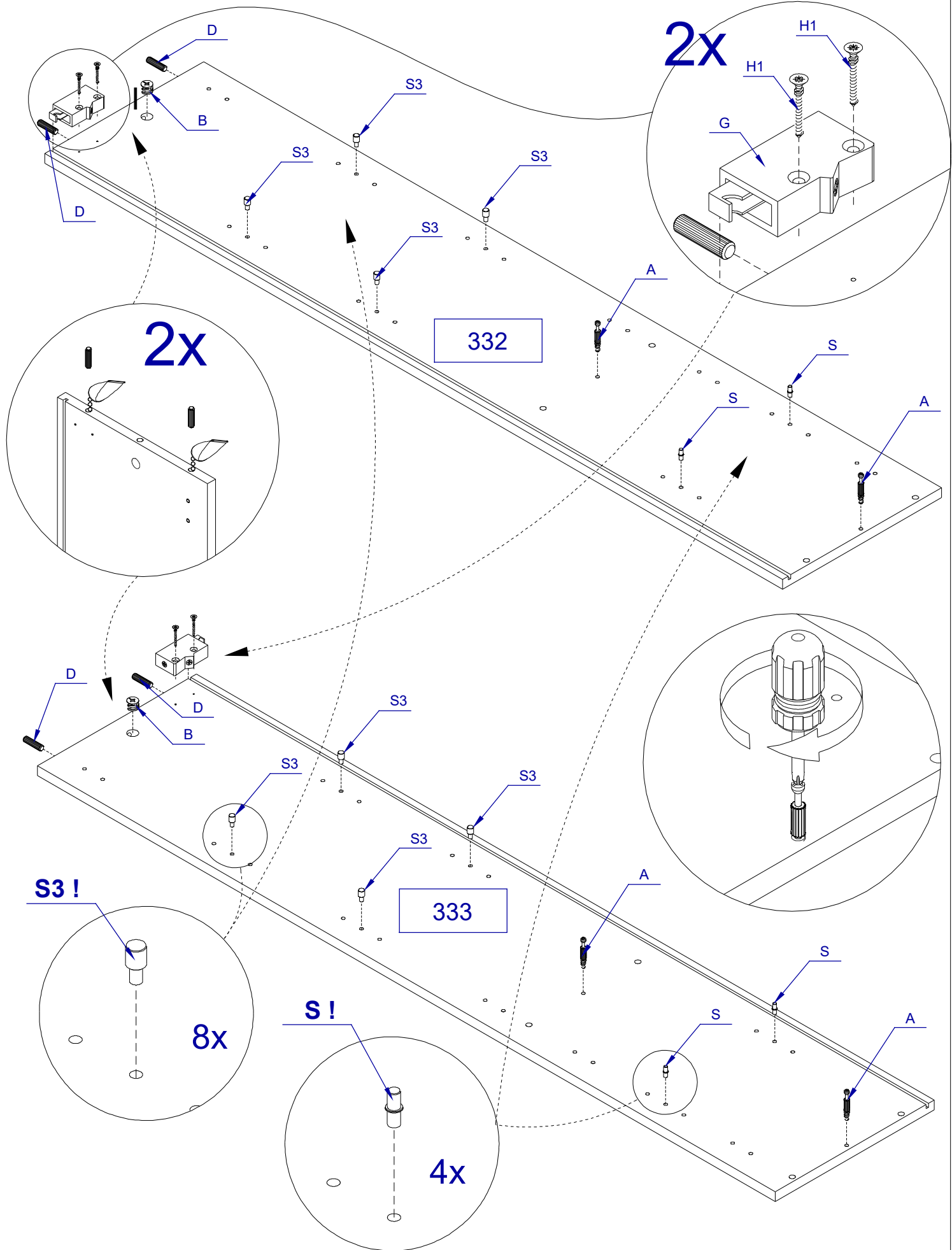
4x27 				Ø10x50 
H5	F	L	I	KR
4x	2x	x4	x6	x2



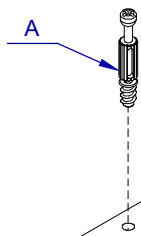


I

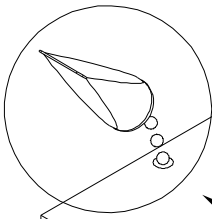
							
R	4x30	G	D	B	S3	S	A
x1	x4	x2	x4	x2	x8	x4	x4



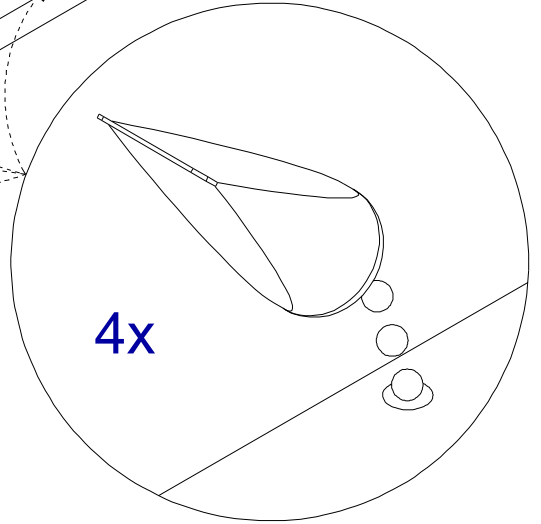
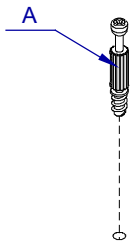
II



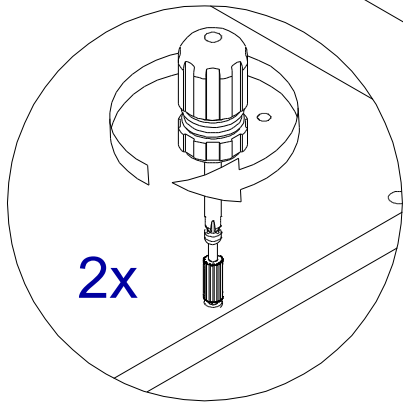
x2  
A



052



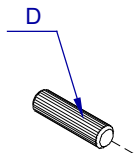
4x



2x

III

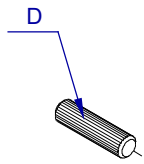
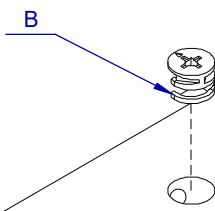
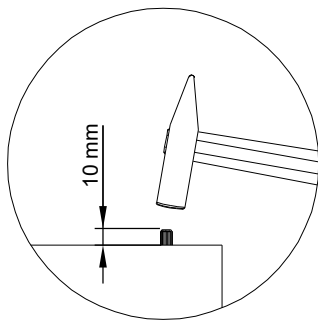
2x



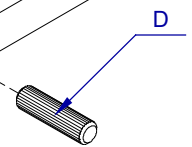
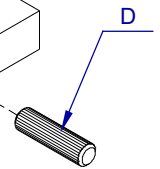
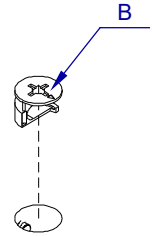
x4  
B



x8  
D


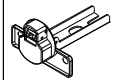


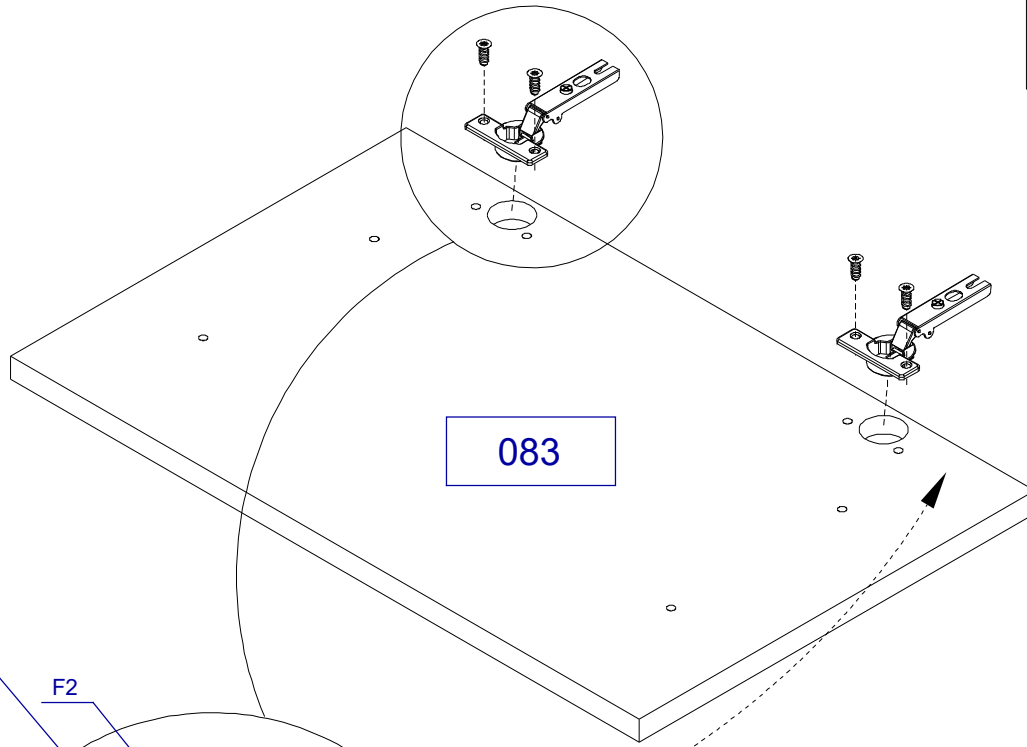
021



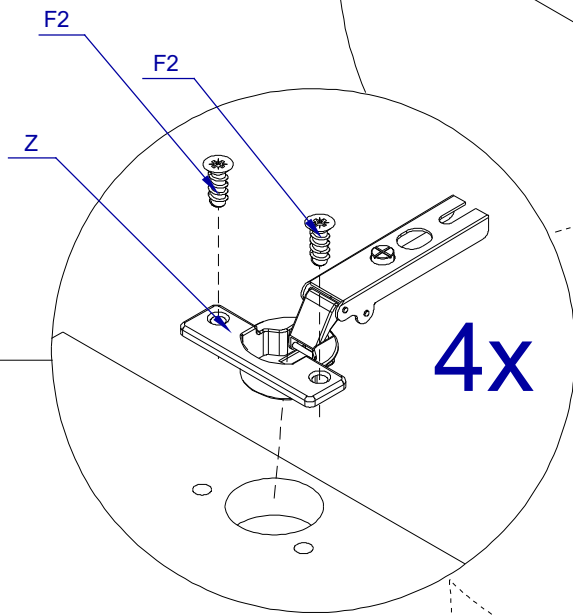


IV

6,3x13		
	F2	Z
x4		x2


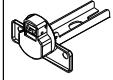


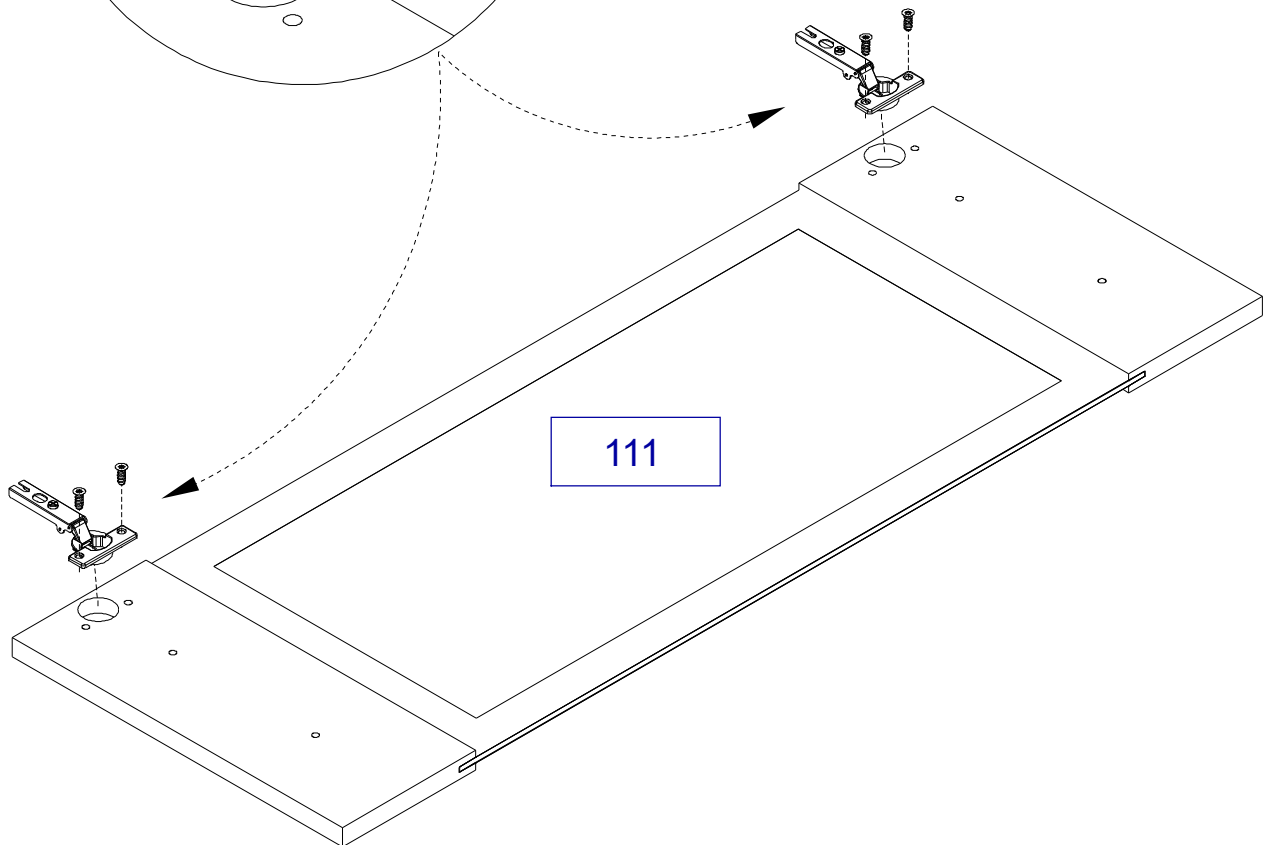
083



4x

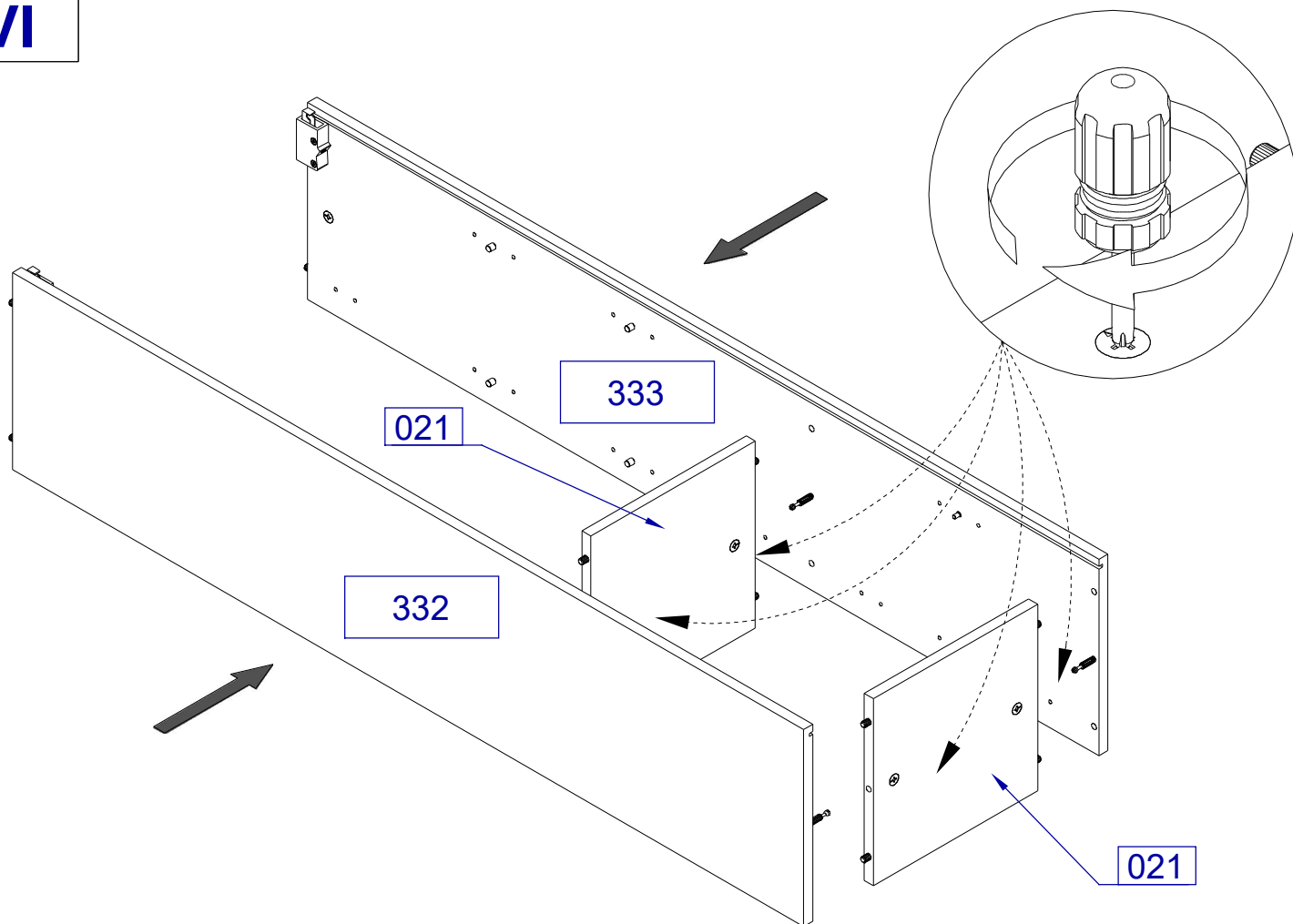
V

6,3x13		
	F2	Z
x4		x2

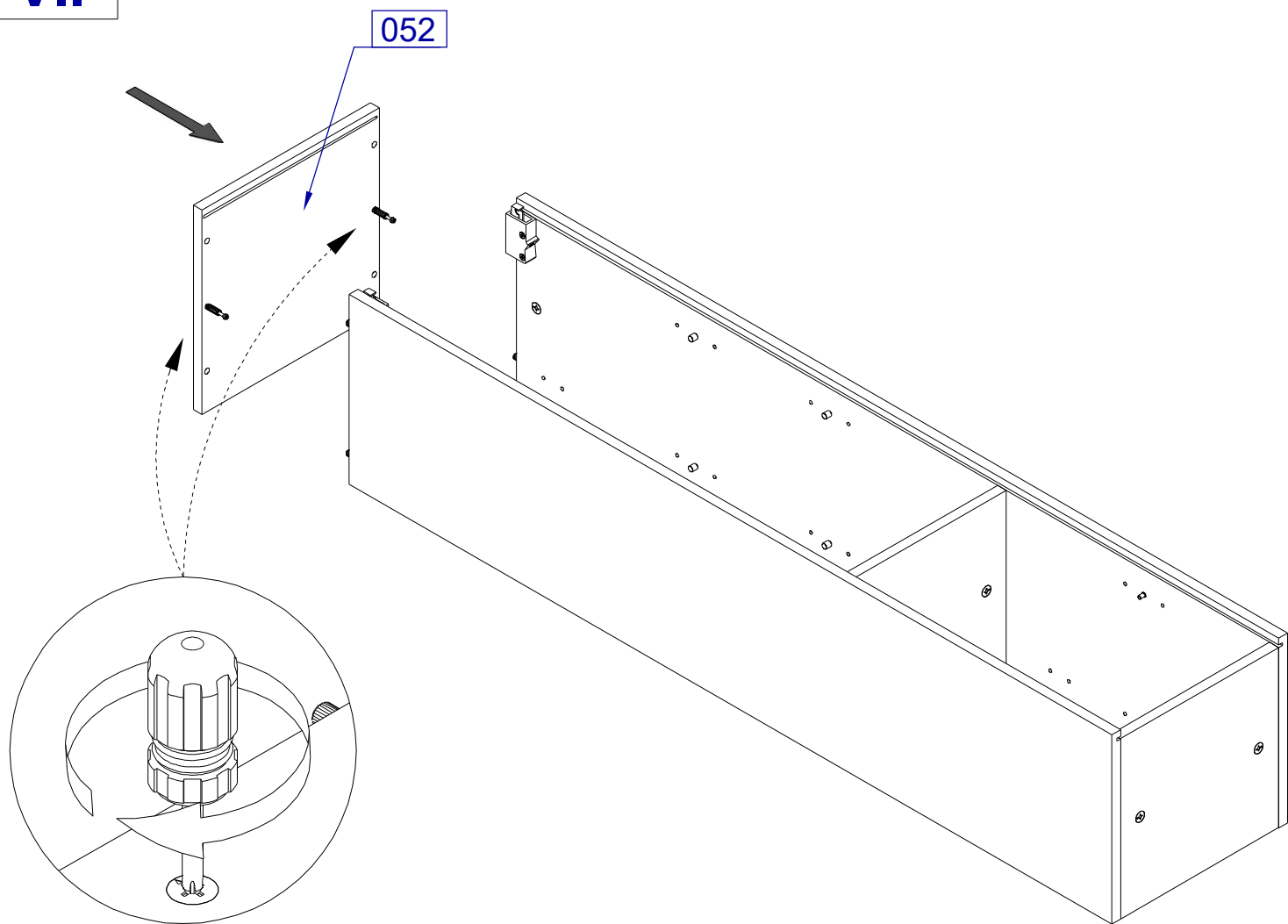


111

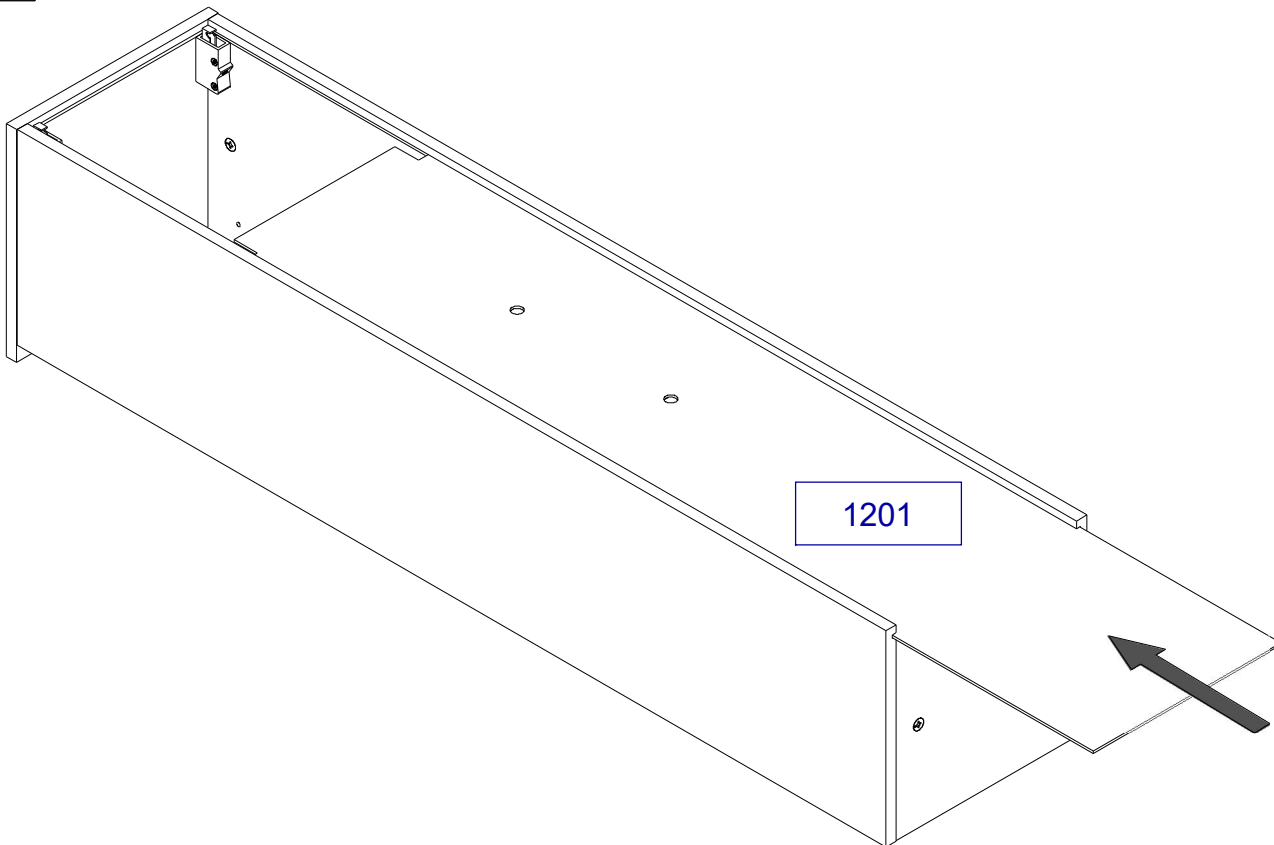
VI



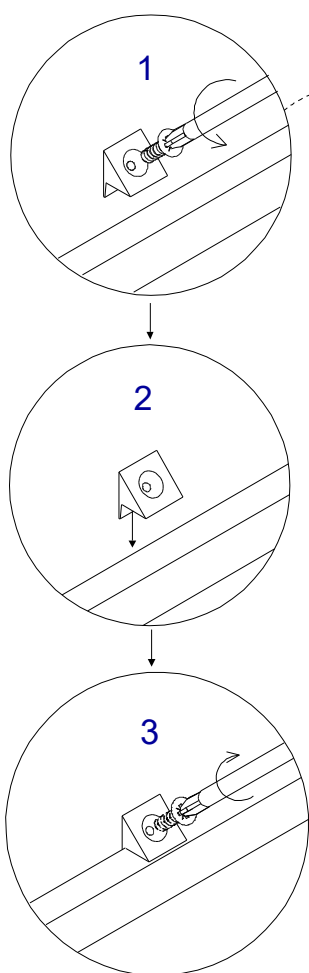
VII



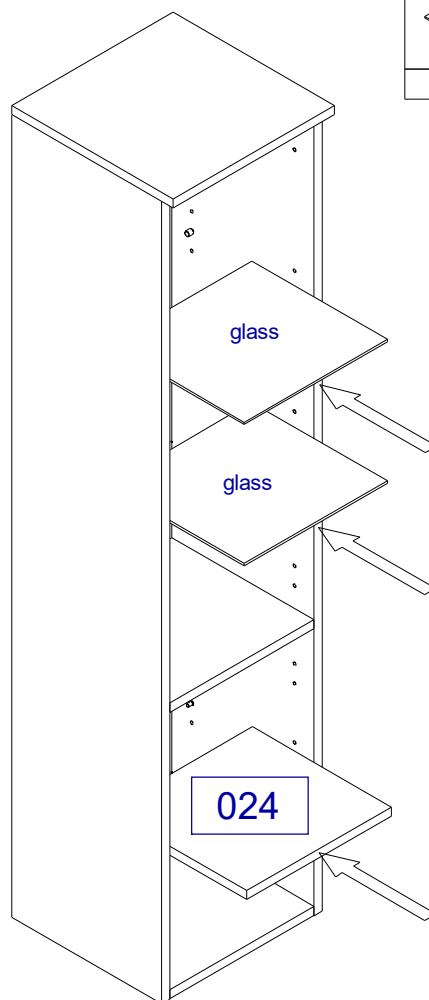
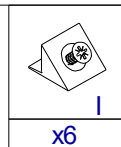
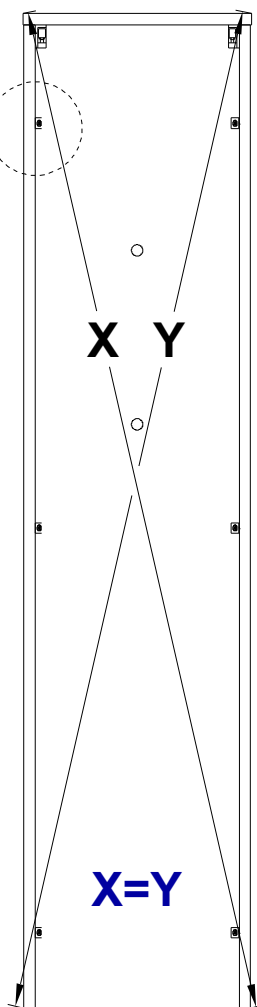
# VIII



# IX



6x



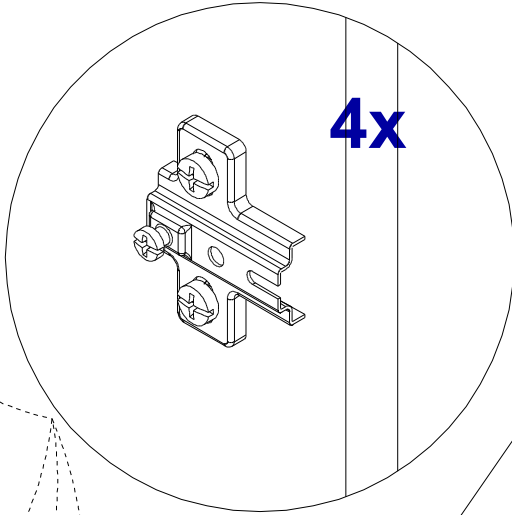
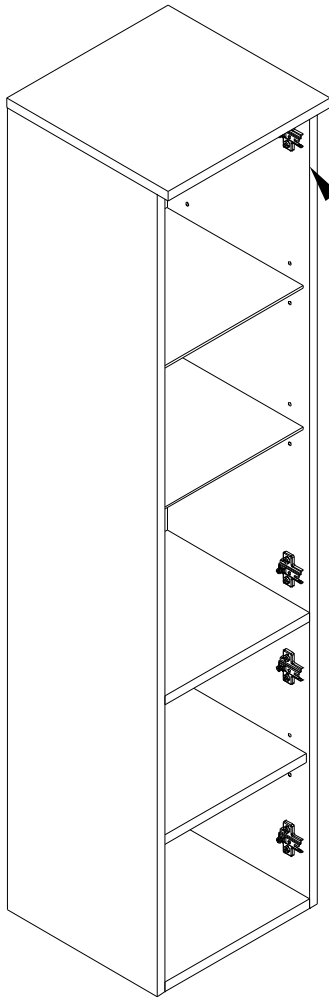
**X**



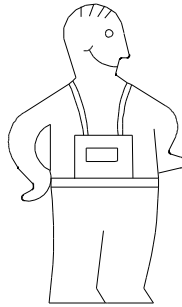
**L**

x4

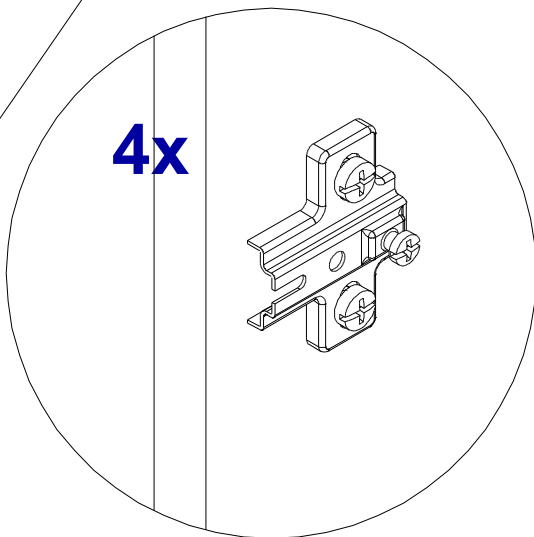
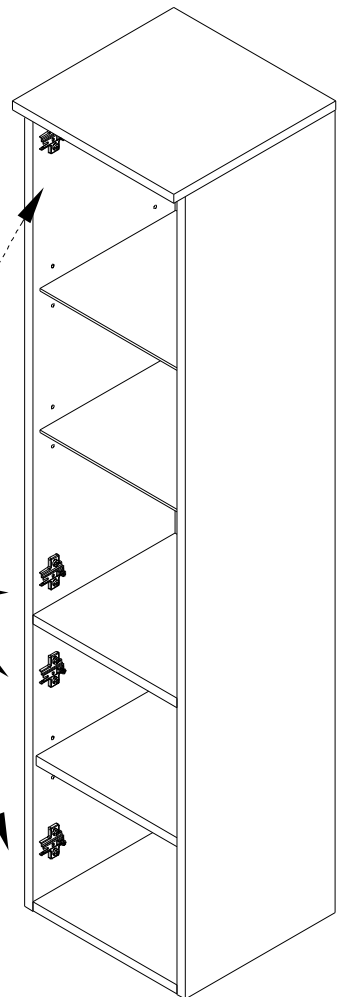
**R**



**4x**



**L**

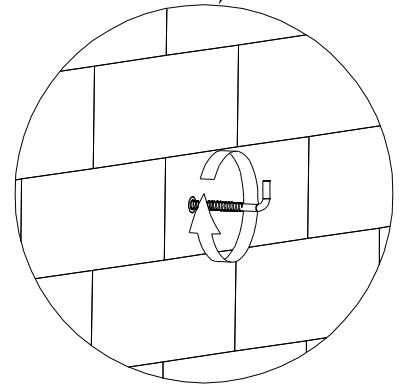
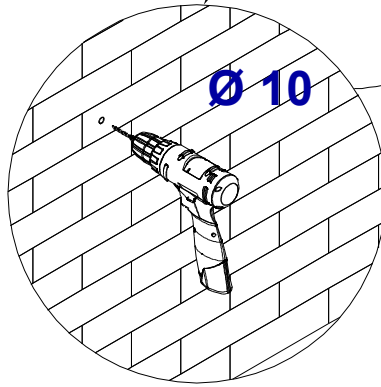
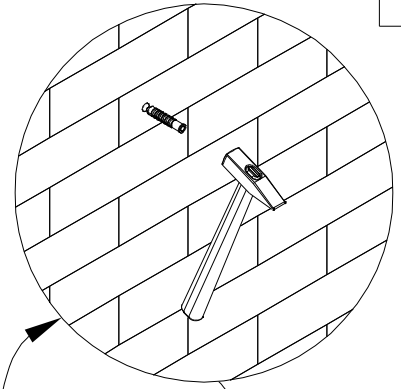
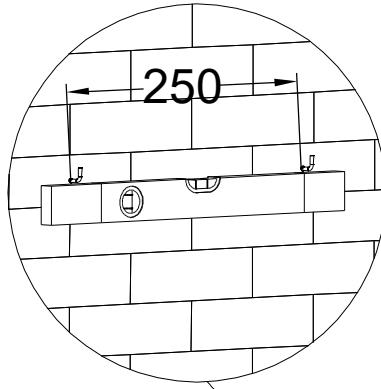
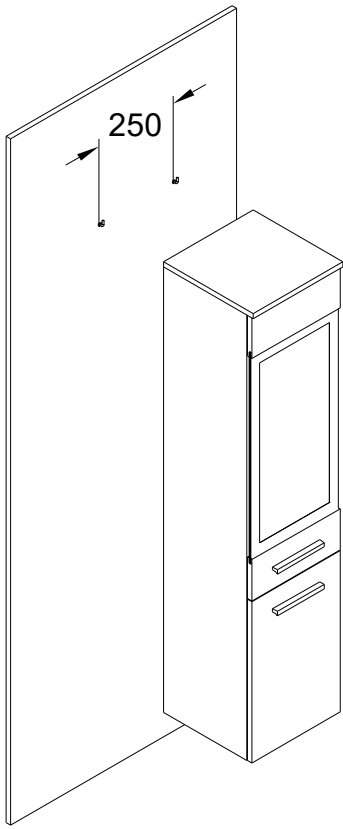


**4x**



# XIII

10 mm  
KR  
x2



# XIV

