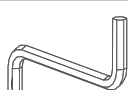
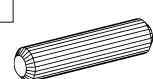

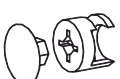
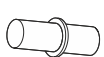
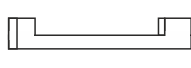





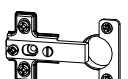
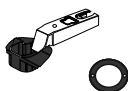
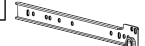


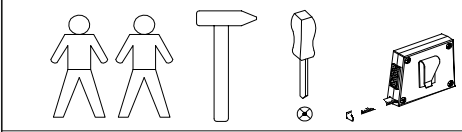


A  x1	B  x28	C  x18	D  x18
E  x12	F  x4	G 4x27  x8	H  x40
I  x4	J  x4	K 3.5x16  x24	L  x2
M.  x2	N   x2	O  x2	



x2

