


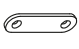
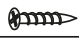
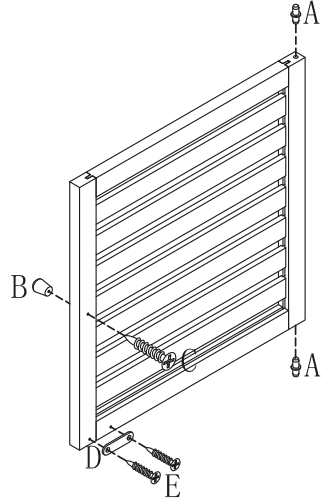




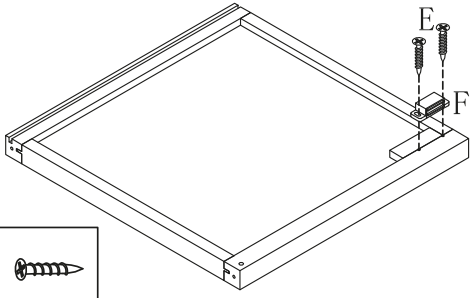
1

-  Ax2
-  Bx1
-  Cx1
-  Dx1
-  Ex2

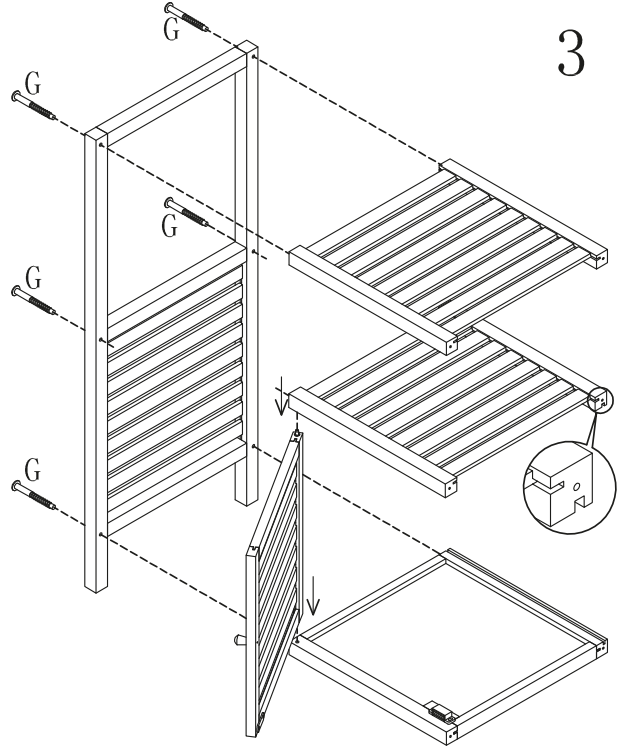


2

-  Fx1
-  Ex2

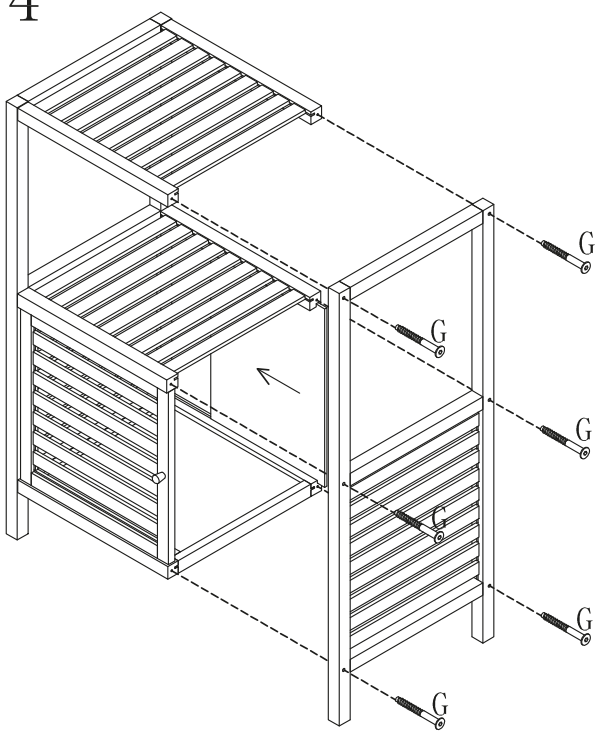


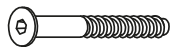
3



-  Gx6
-  Hx1

4



-  Gx6

5

