
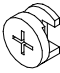
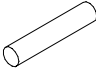
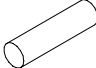
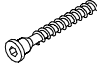
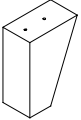





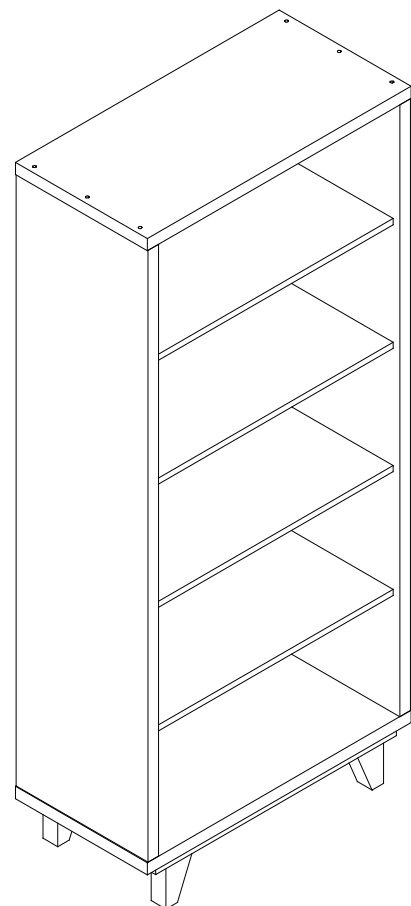
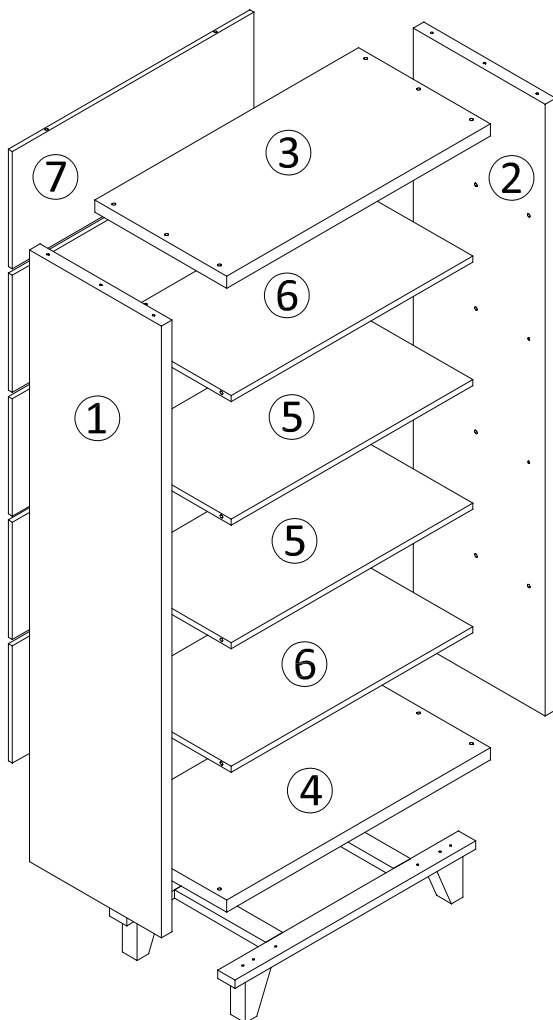
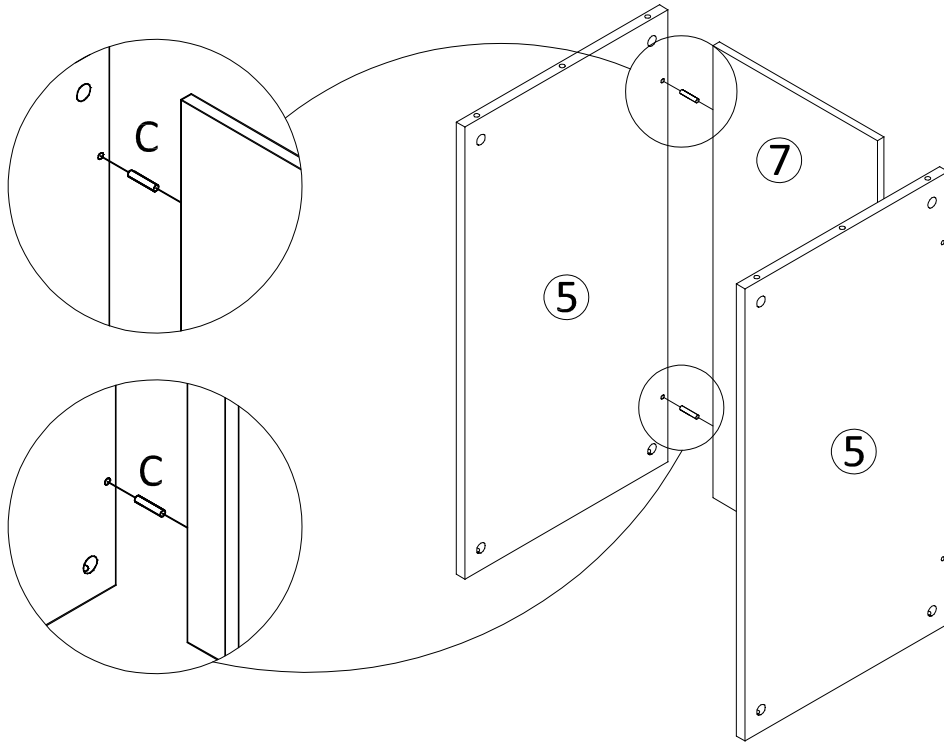


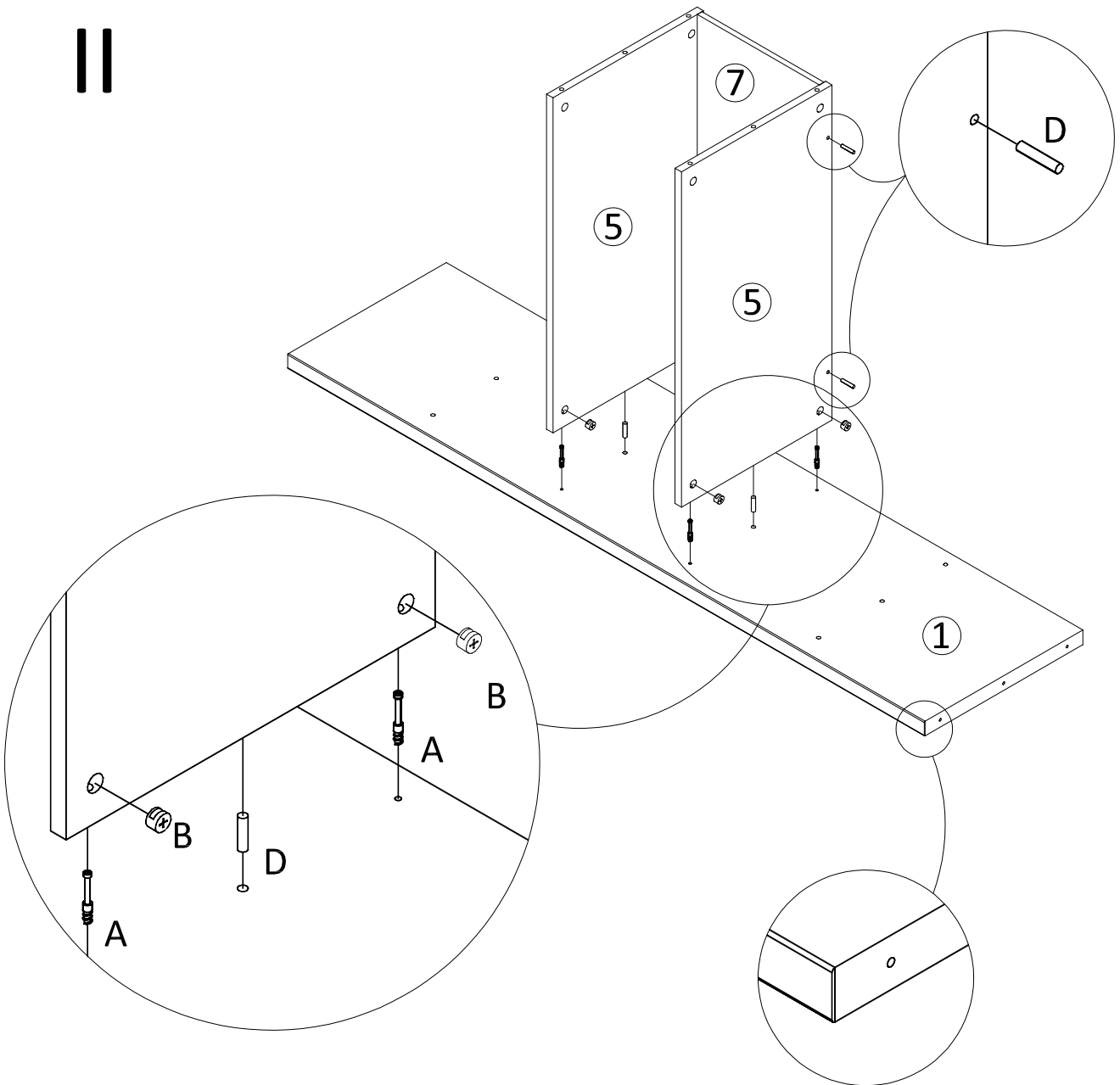
| | | | | |
|---|--|--|---|---|
|  A 8 |  B 8 | 6x30  C 20 | 8x30  D 24 | 7x70  E 12 |
|  F 4 | 3.5 x 45  G 12 |  H 1 |  I 1 | 3.5x16  J 1 |
| | |  K 1 | | |



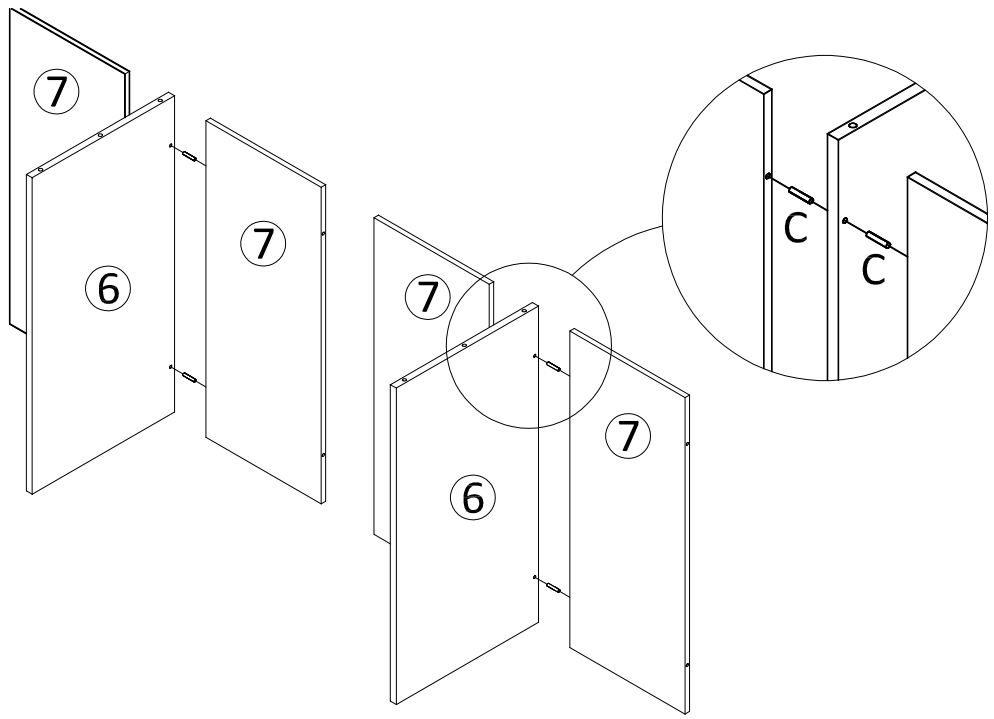
I



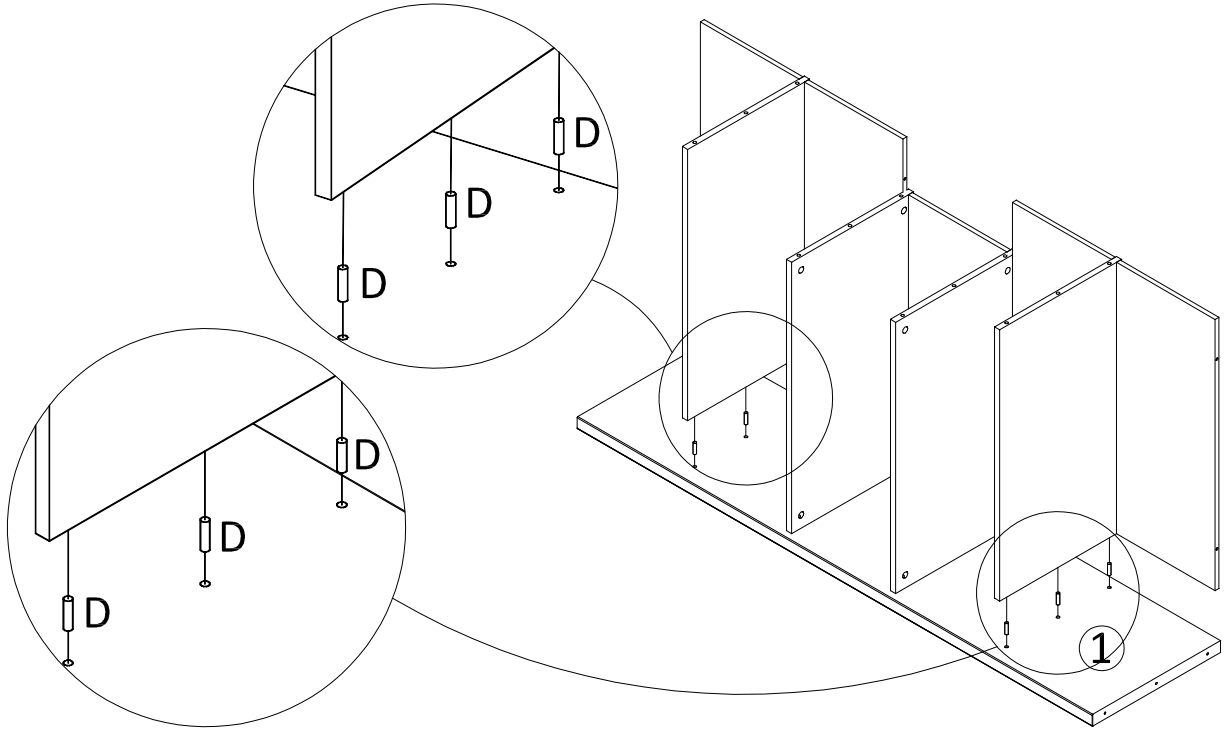
II



III



IV



V

