



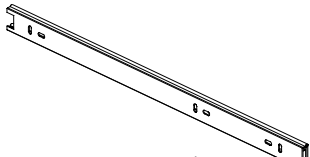

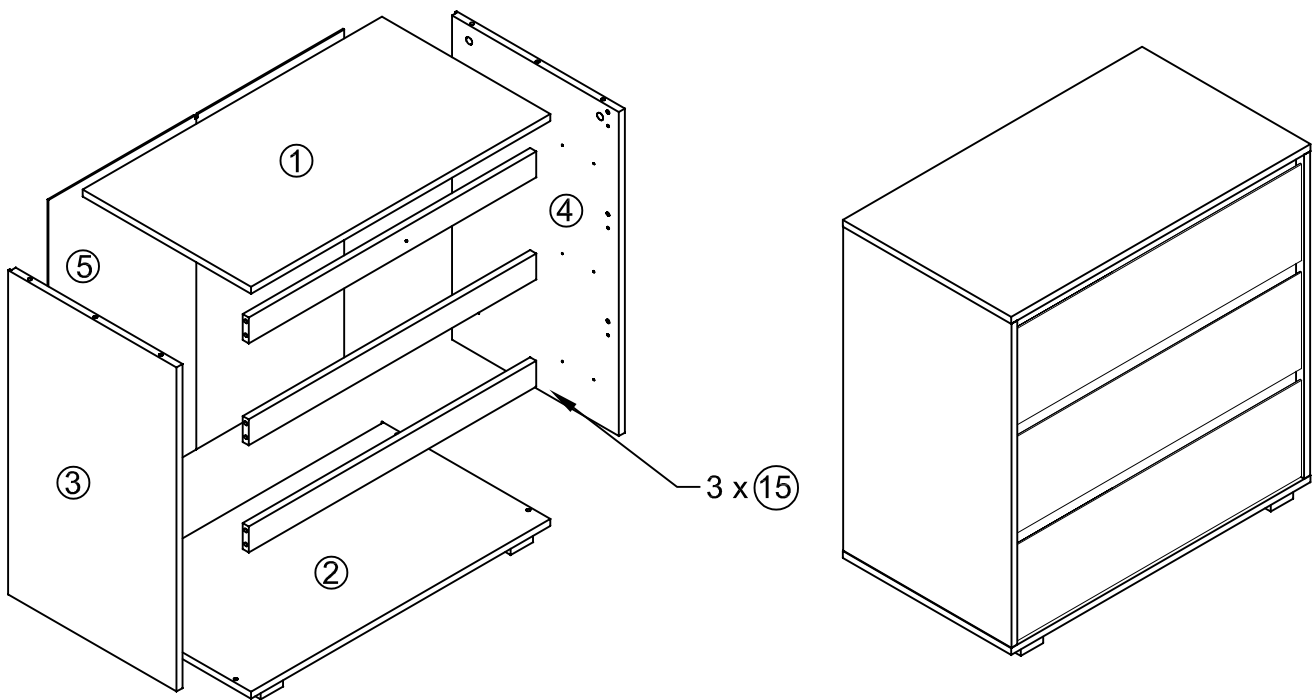
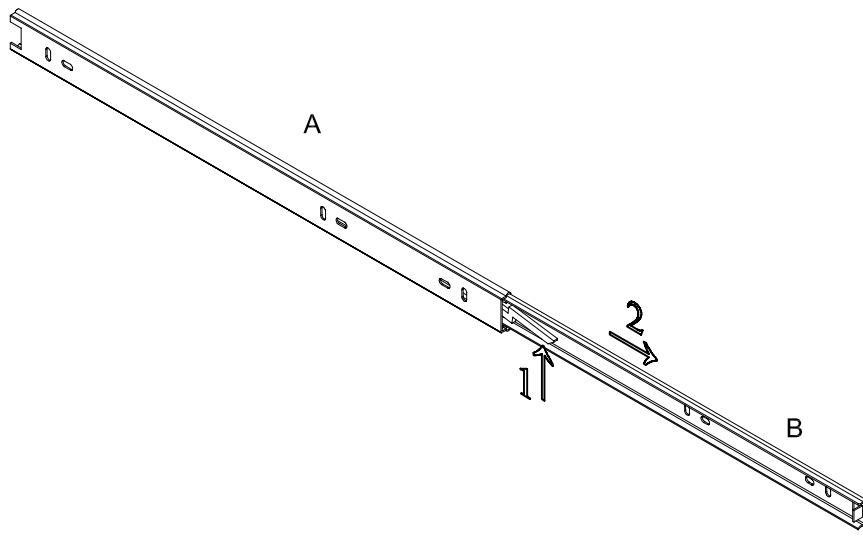
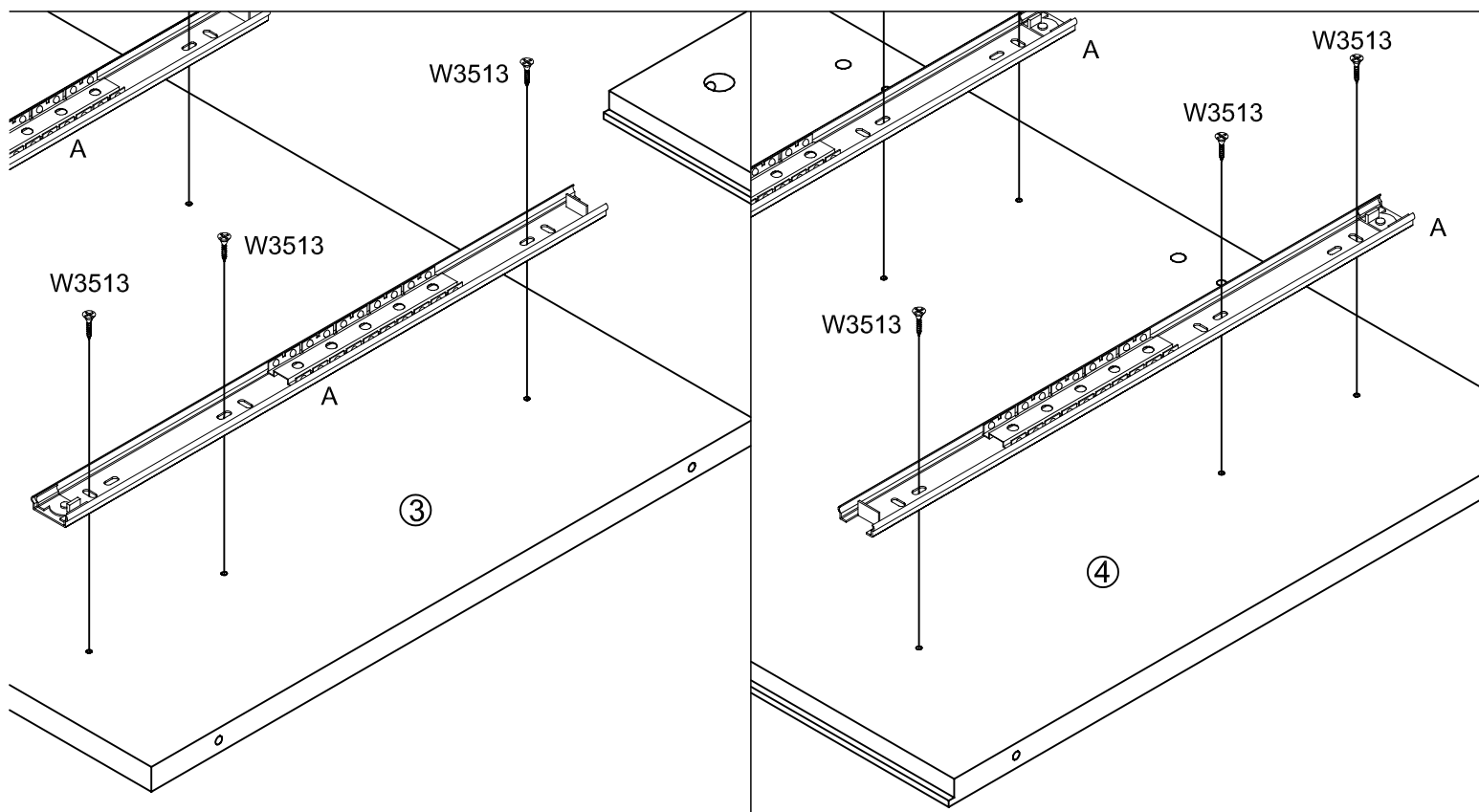
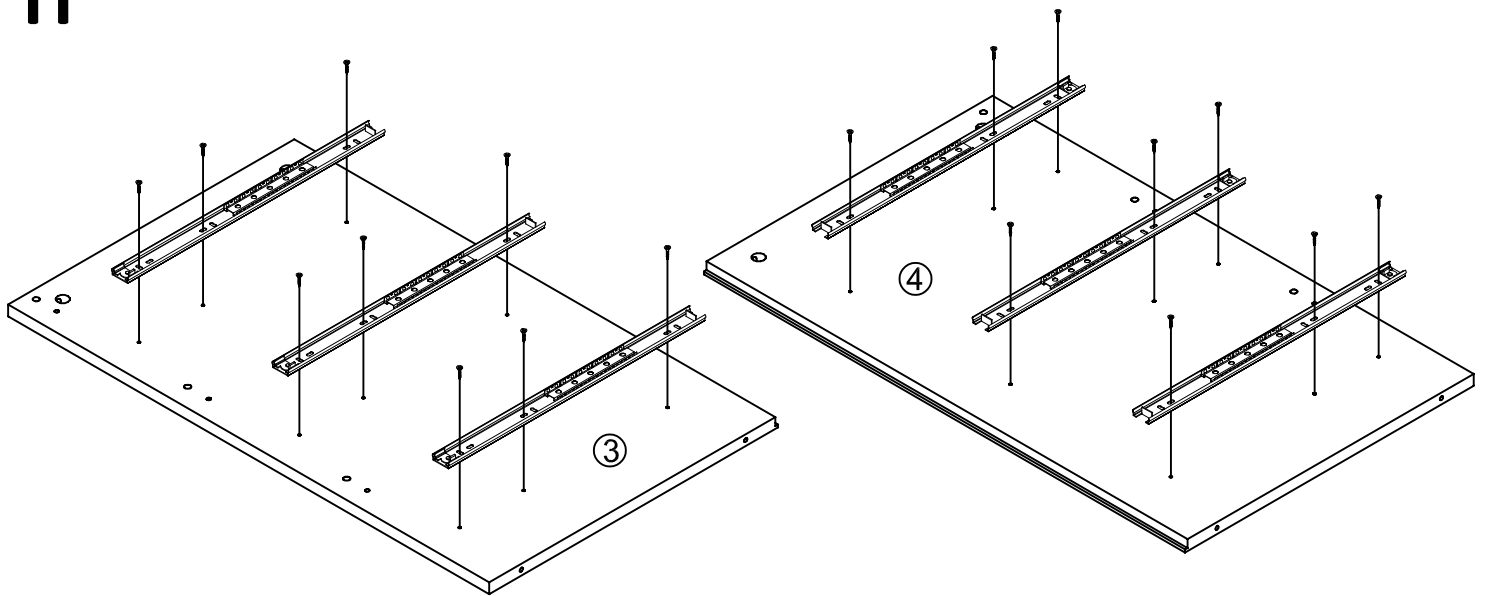

MT	M	WK5	D8	W3516	W3513	A02
x22	x22	x16	x8	x1	x36	x30
						
S2	WS	A06	A05	PK	A01	
x4	x8	x1	x1	x6	x1	



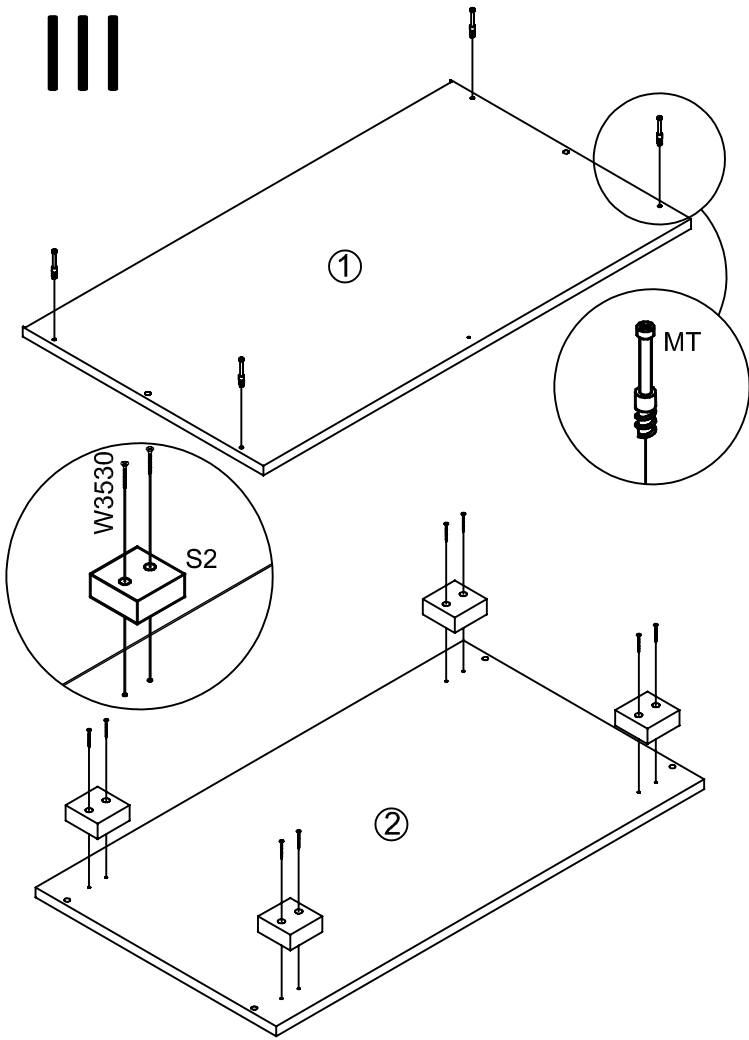
I



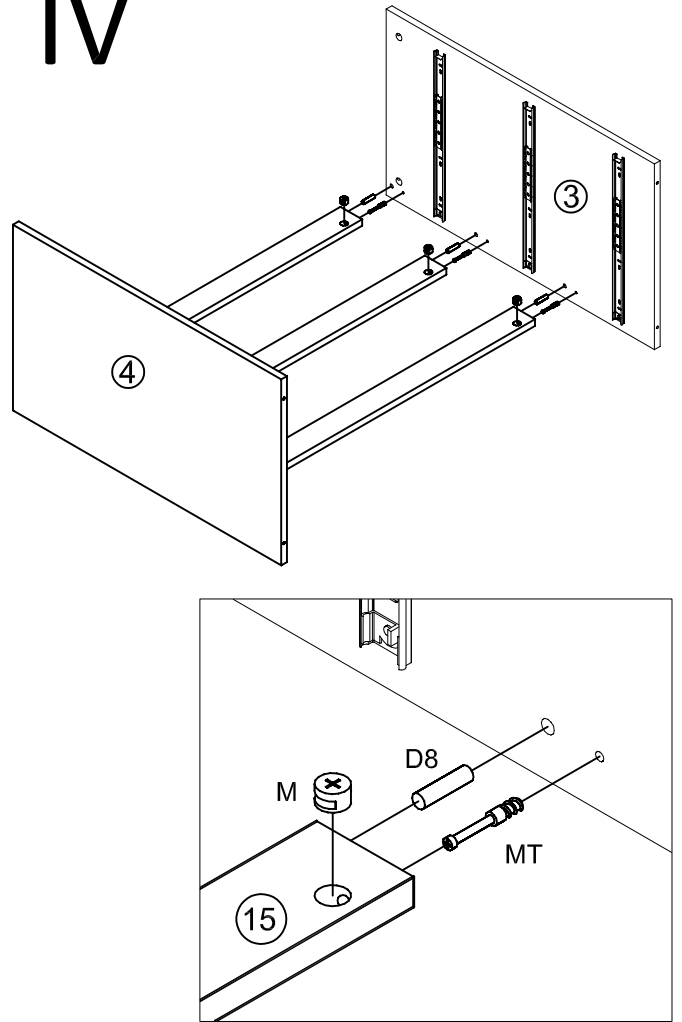
II



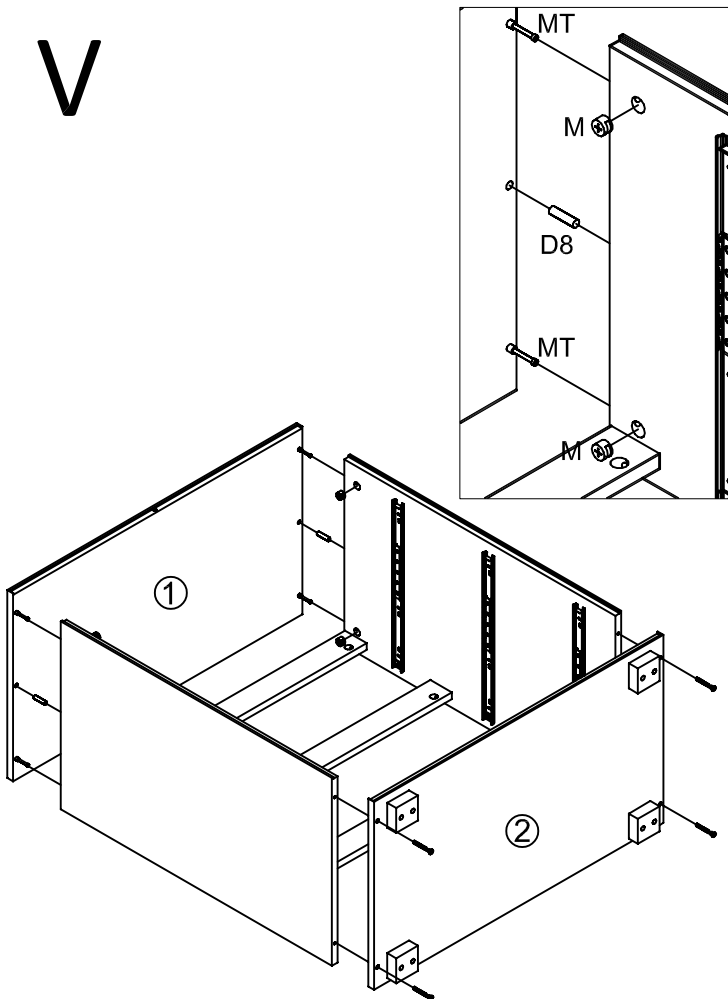
# III



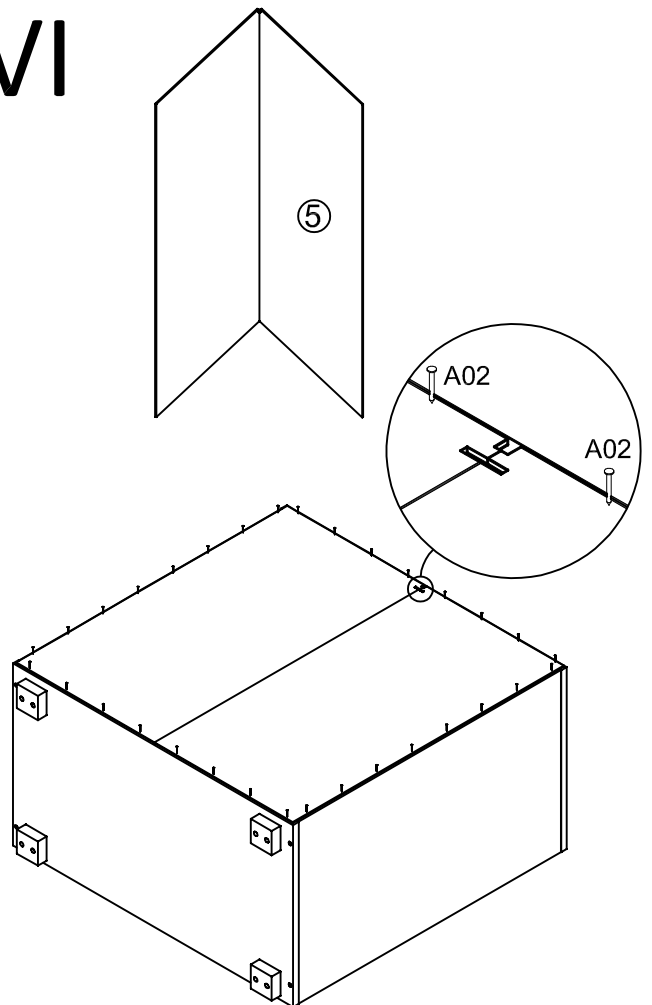
# IV



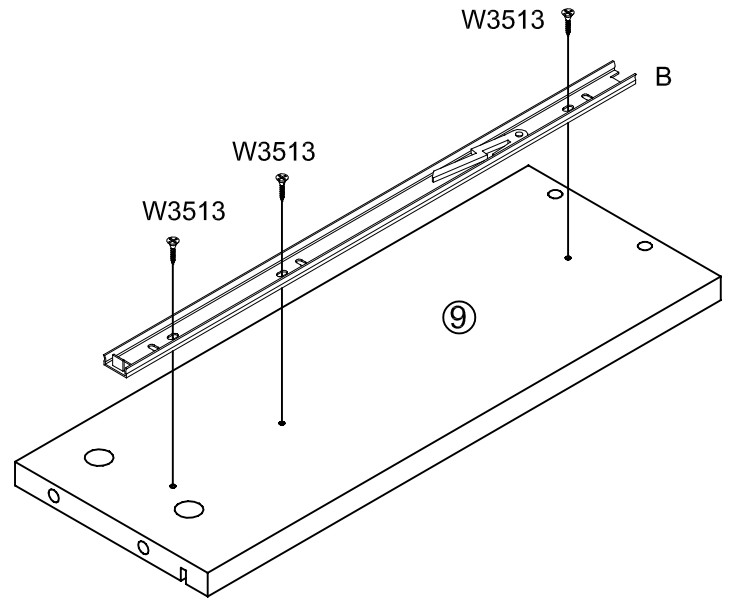
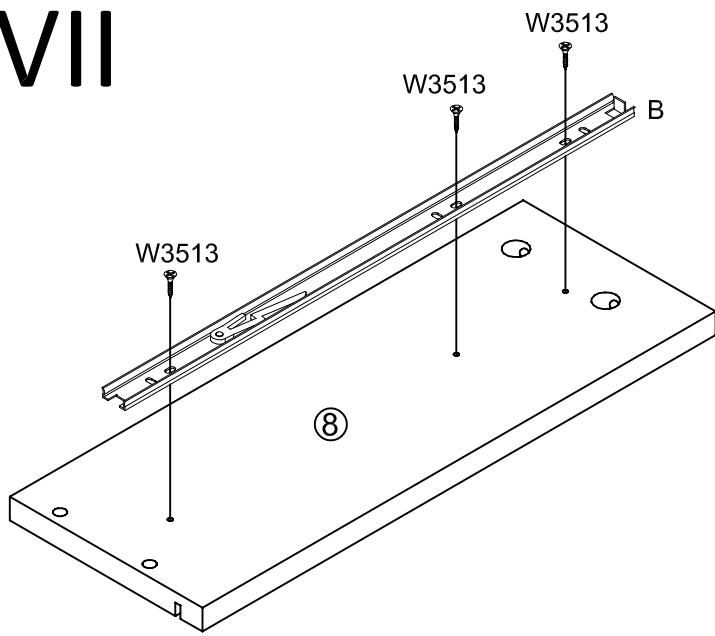
# V



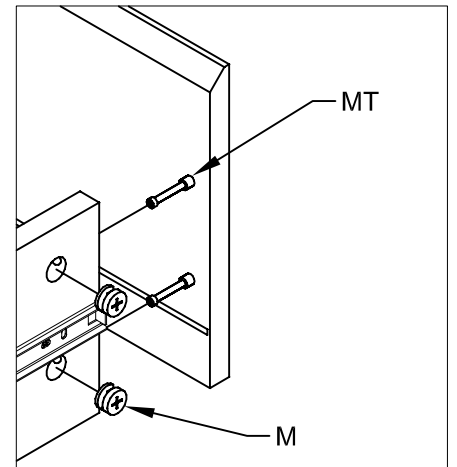
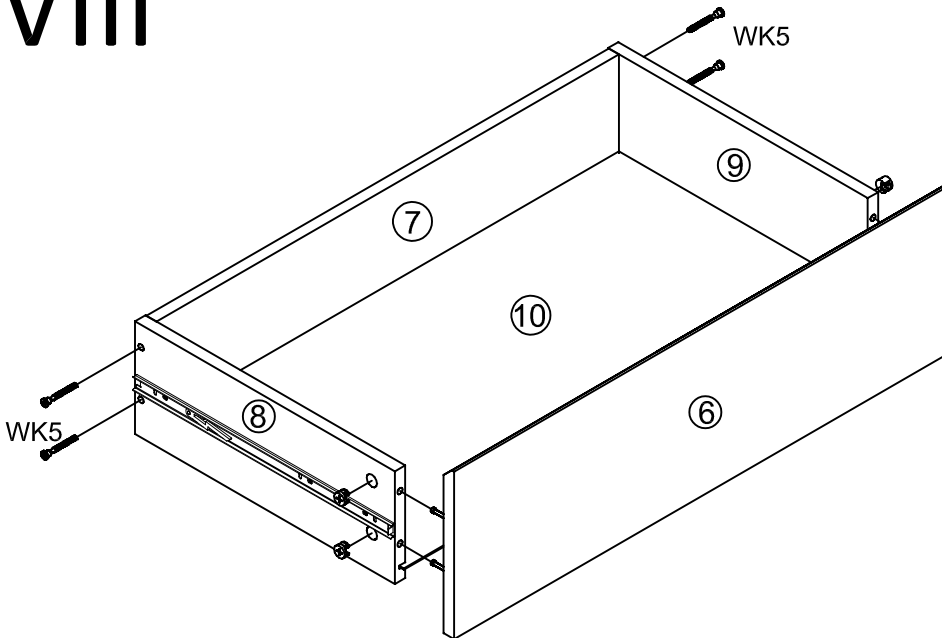
# VI



# VII



# VIII



# IX

