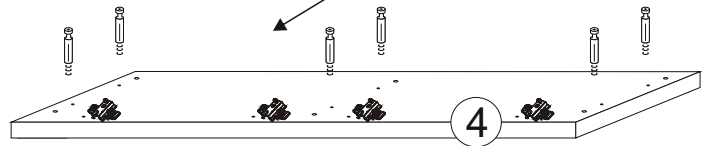
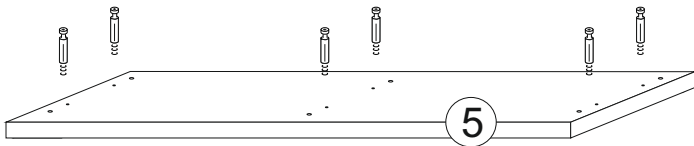
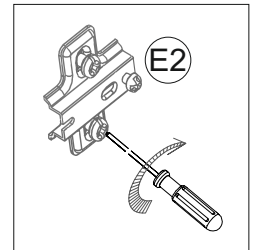
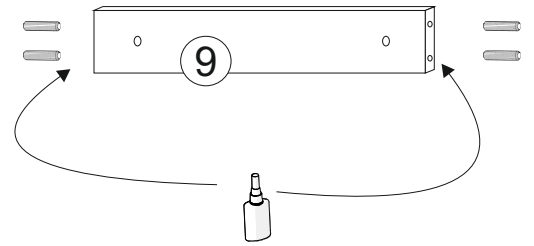
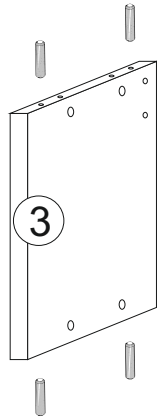
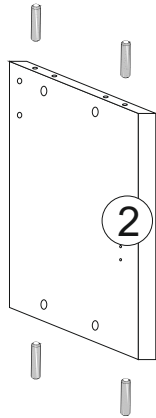
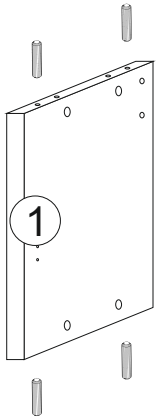
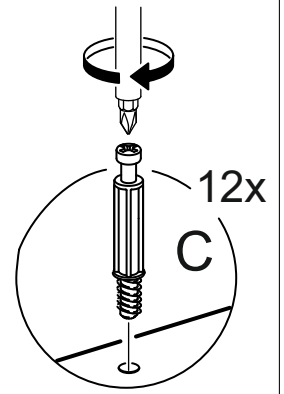
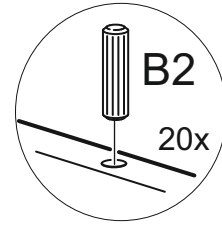
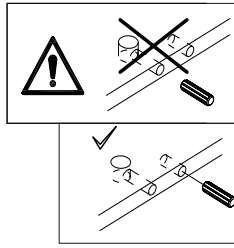
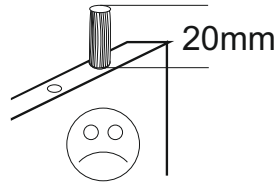
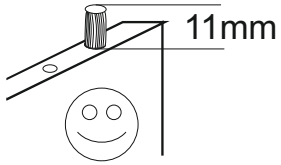
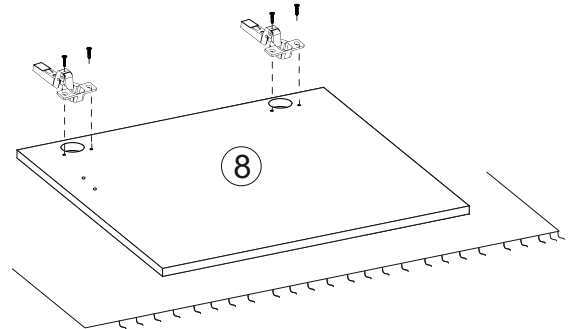
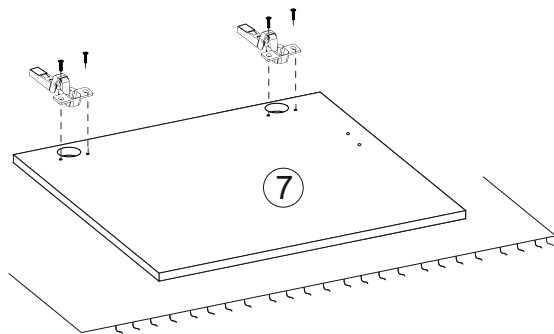
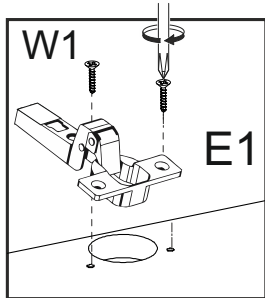


<b>W</b>  x2	<b>M</b>  x30	<b>B2</b>  8x35mm x20	<b>C</b>  x12	<b>D</b>  x12
<b>E1</b>  x4	<b>E2</b>  x4	<b>W1 3,5x16</b>  x22	 x1	<b>H</b>  x2

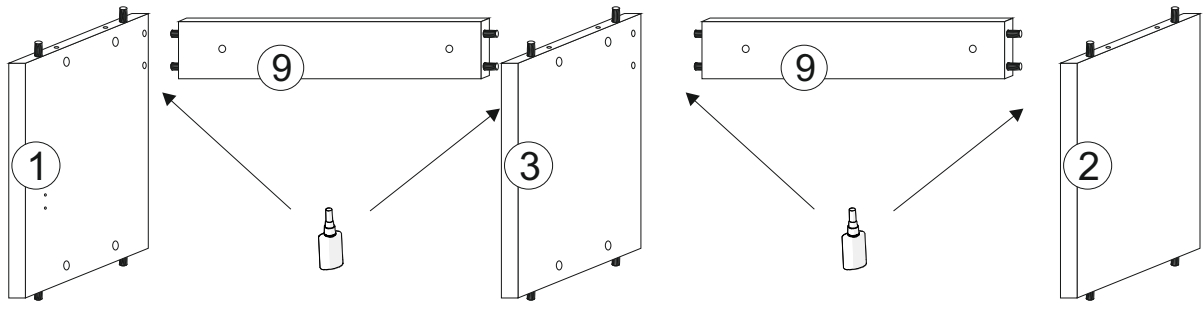
I



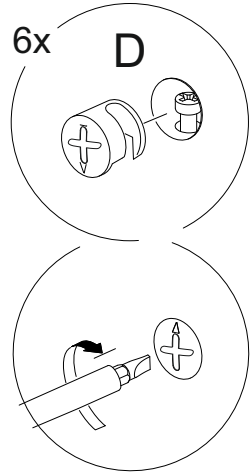
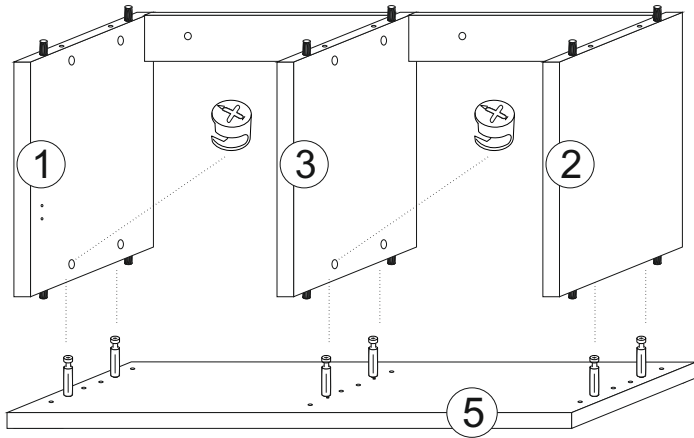
II



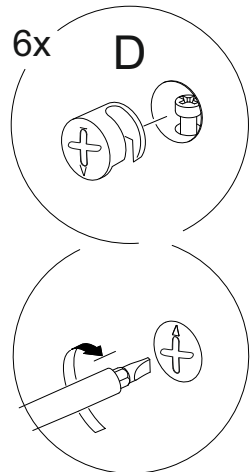
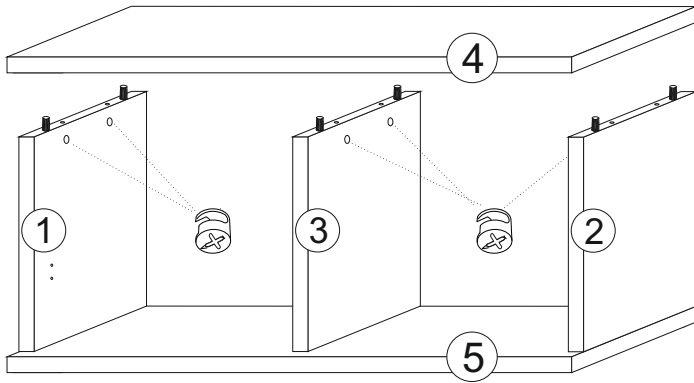
# III



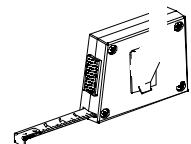
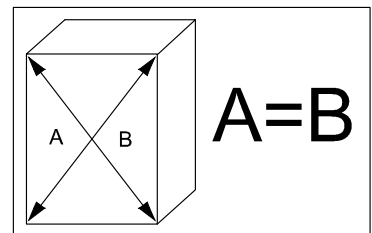
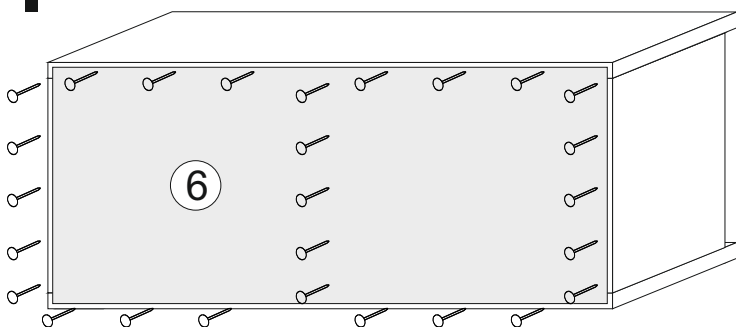
# IV



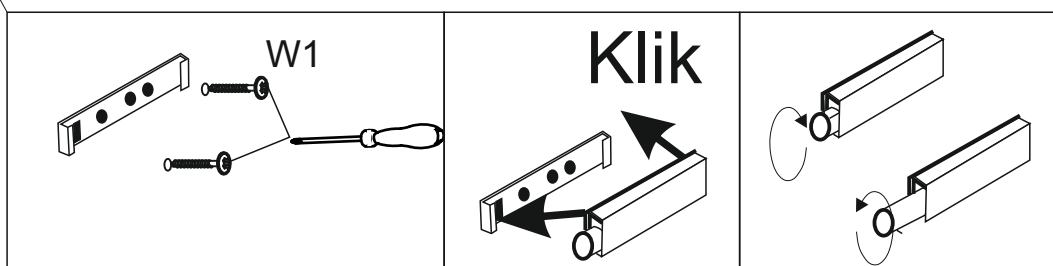
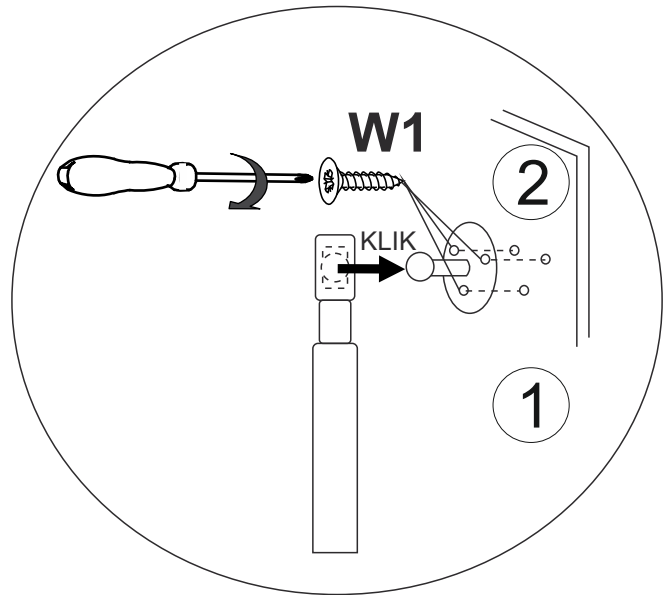
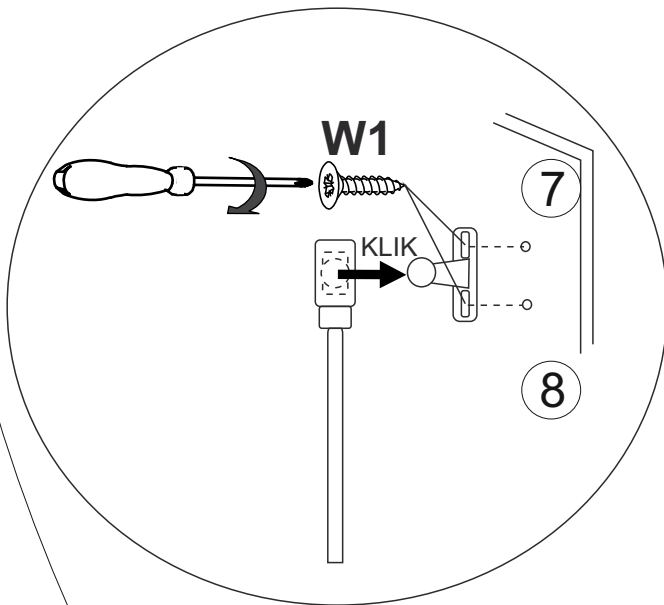
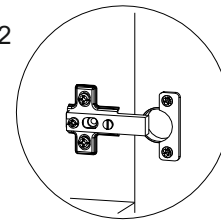
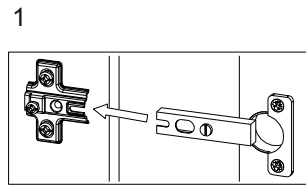
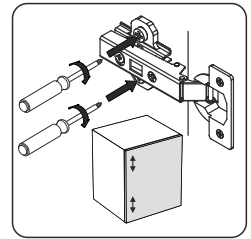
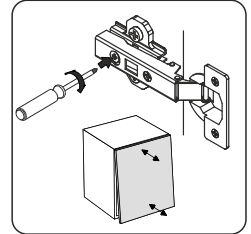
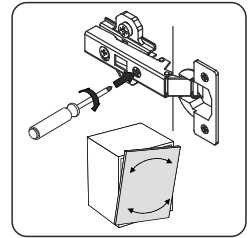
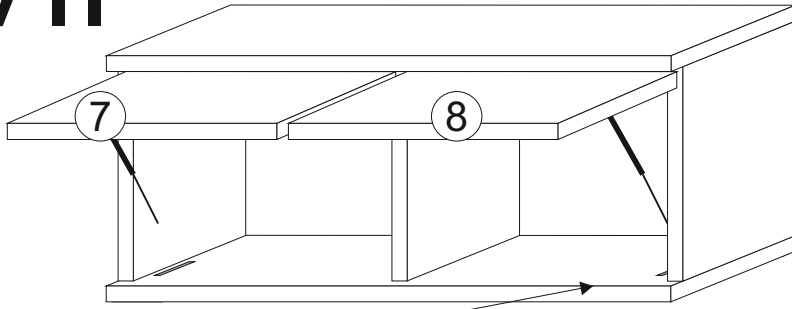
# V



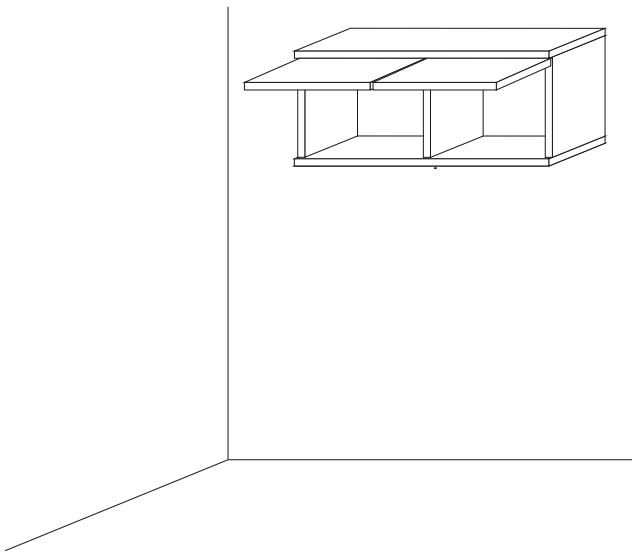
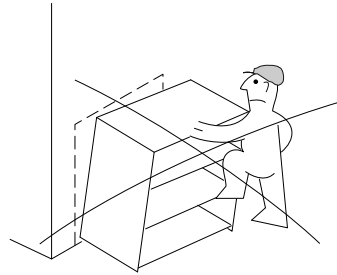
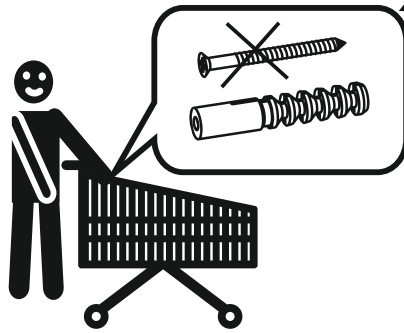
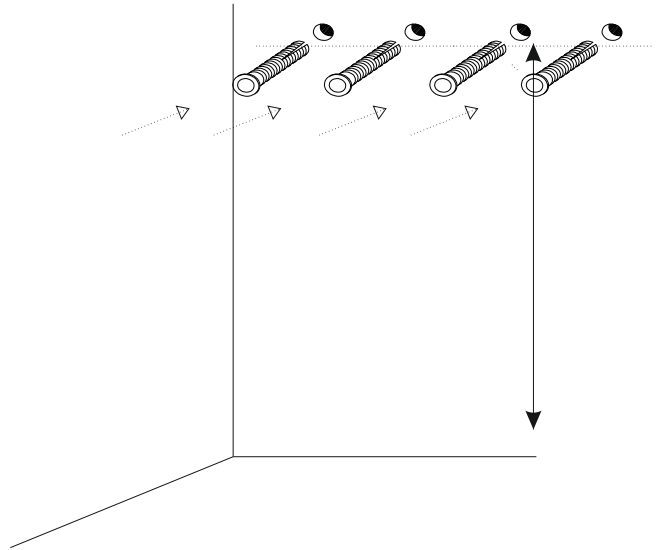
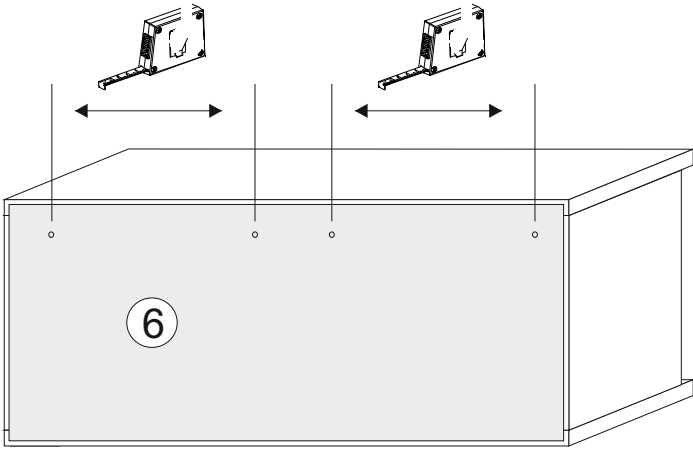
# VI

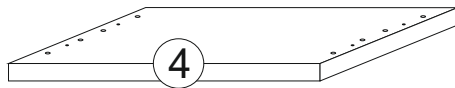
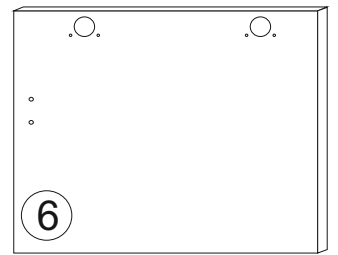
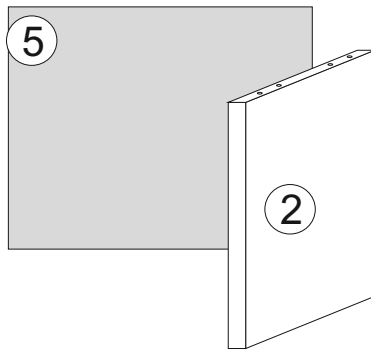
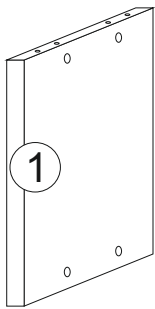
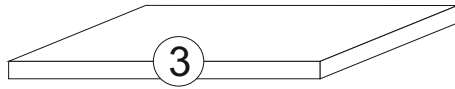
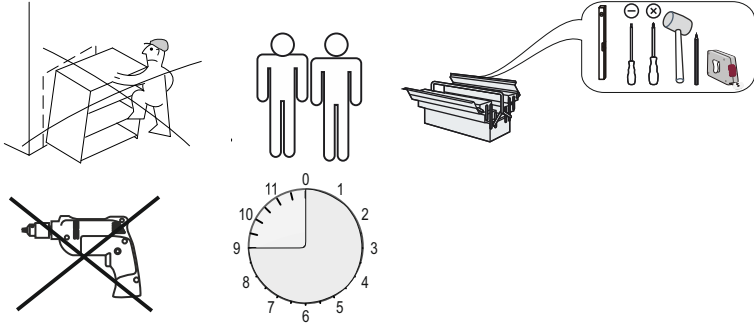
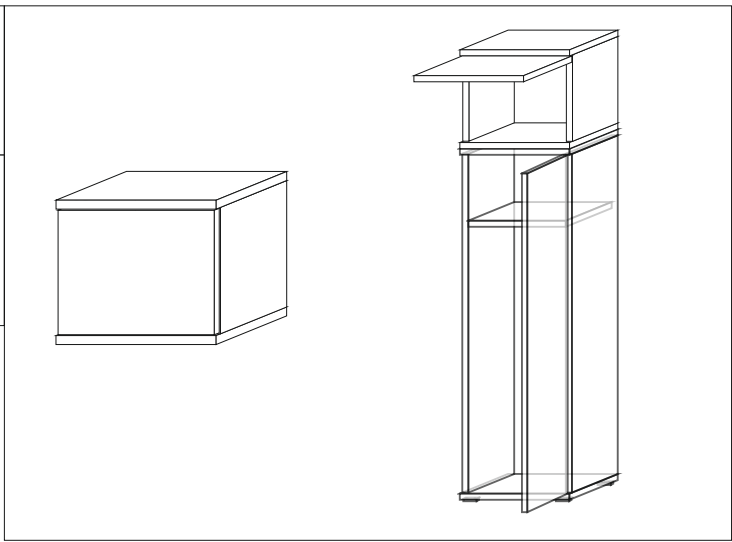
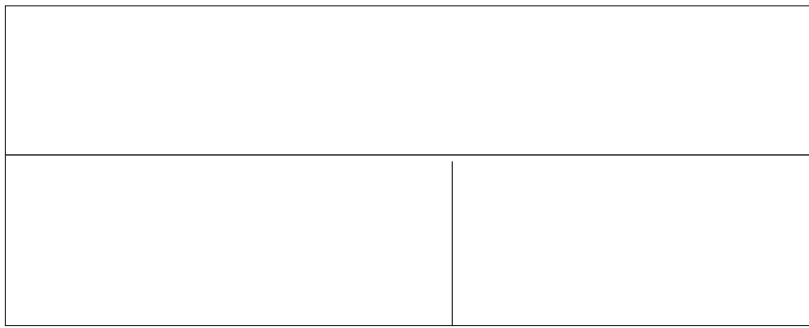


# VII



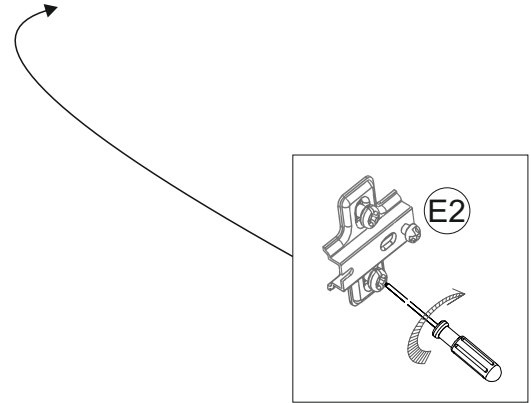
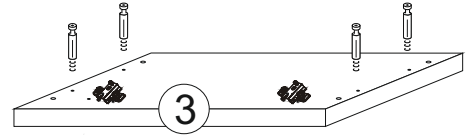
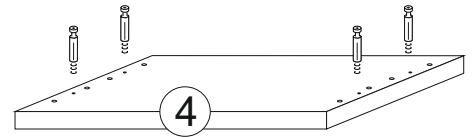
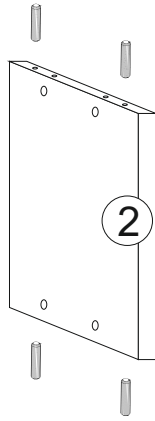
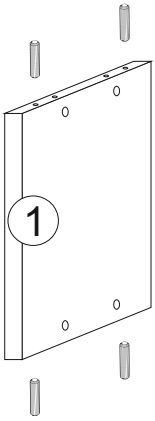
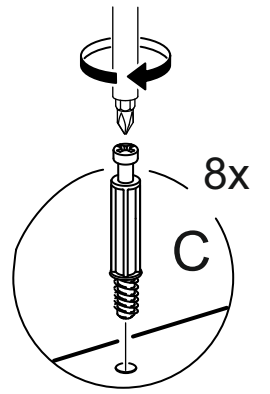
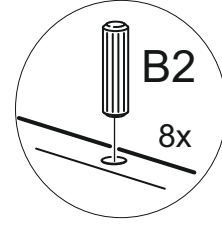
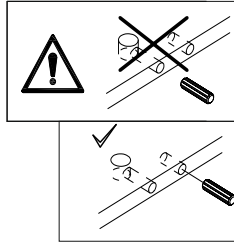
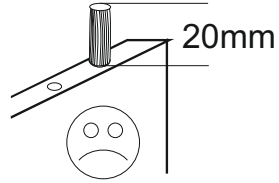
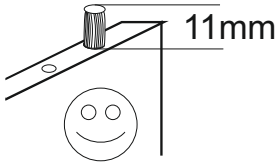
# VIII



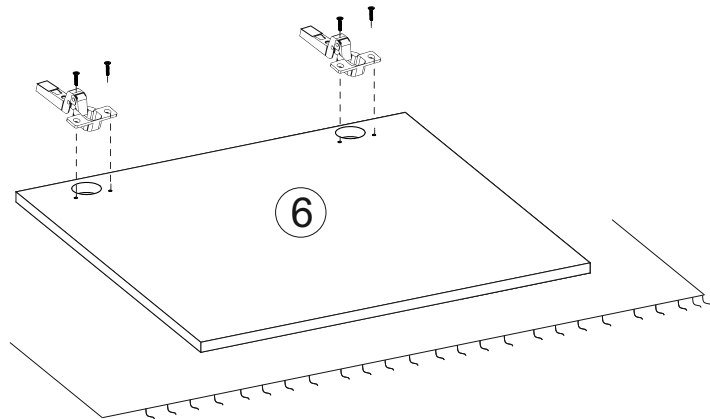
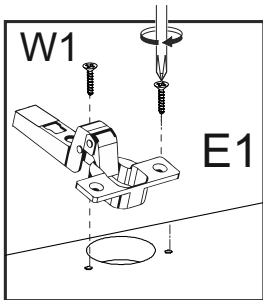


<b>W</b>  x1	<b>B1</b>  8x35mm x8	<b>B2</b>  8x30mm x4	<b>C</b>  x8	<b>D</b>  x8
<b>E1</b>  x4	<b>E2</b>  x4	<b>W1 3,5x16</b>  x11	 x1	<b>H</b>  x1
<b>A</b>  x1	<b>M</b>  x30			

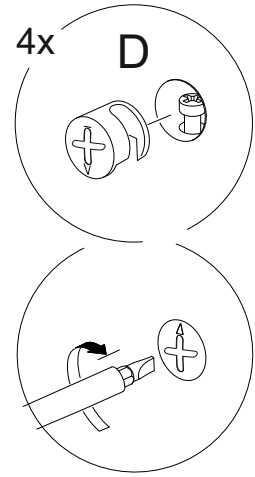
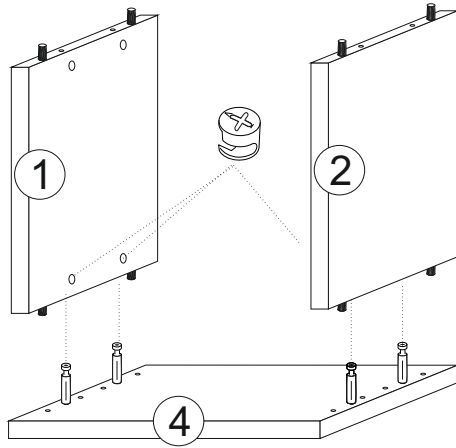
I



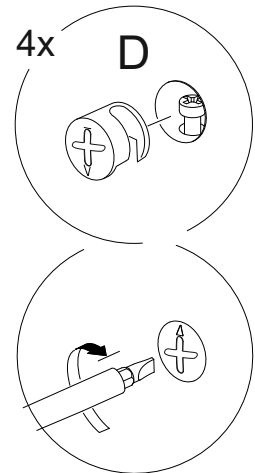
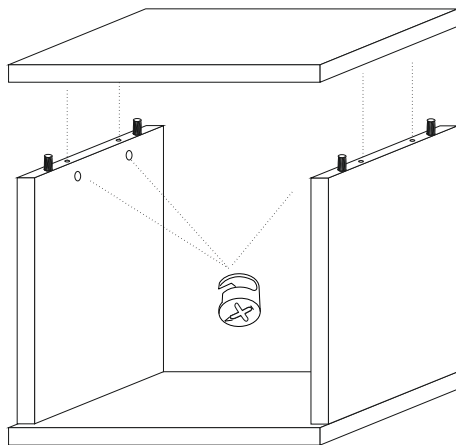
II



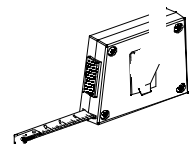
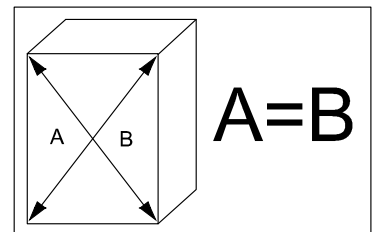
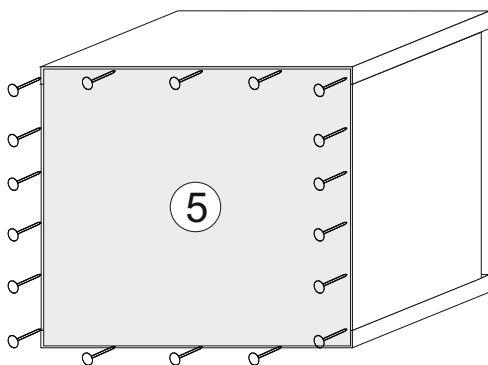
# III



# IV

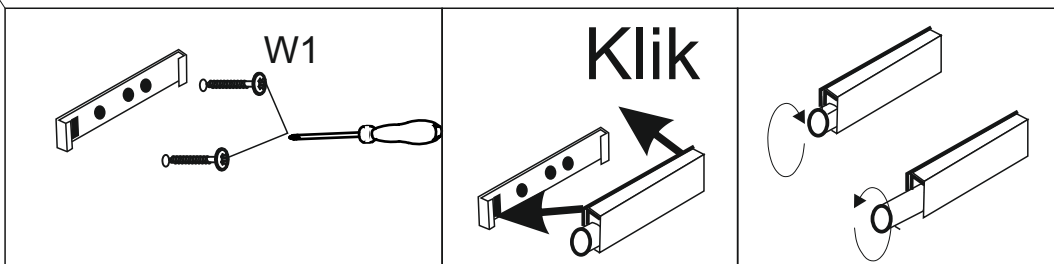
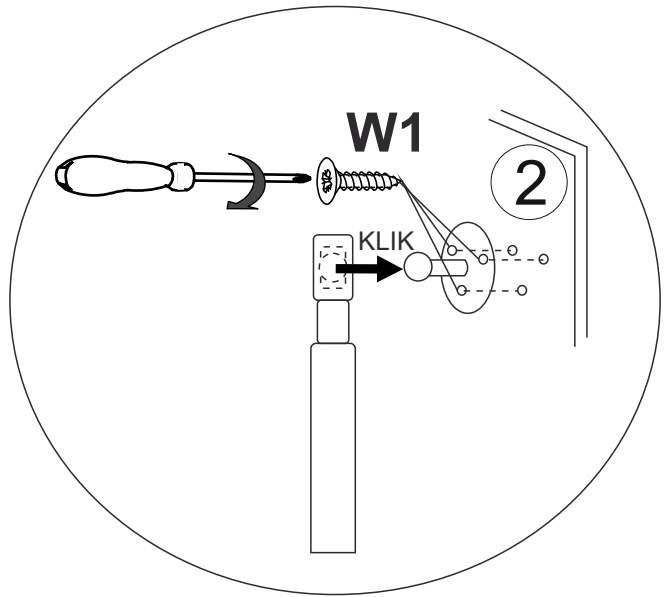
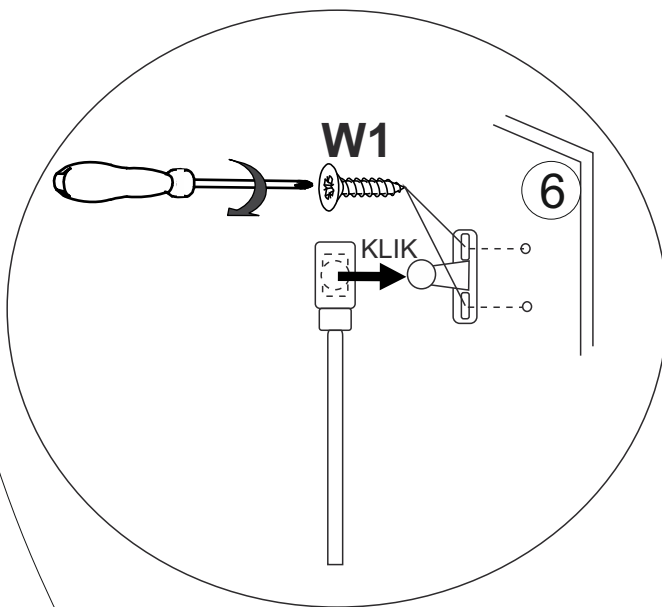
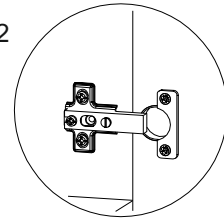
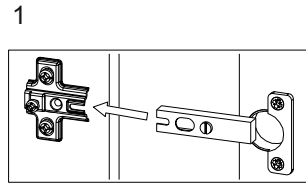
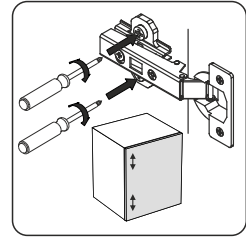
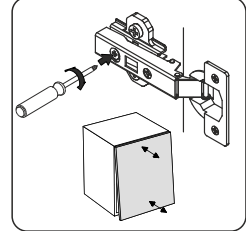
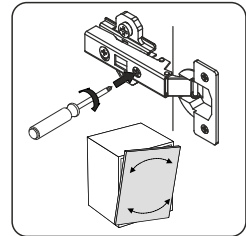
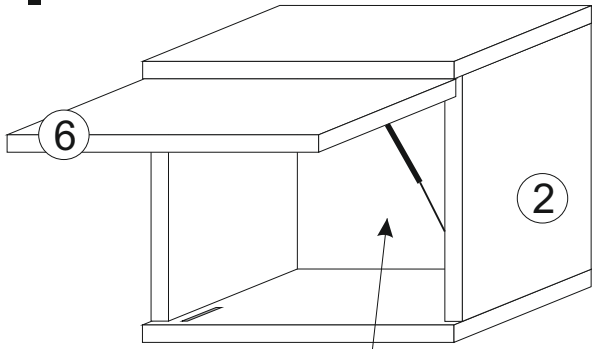


# V



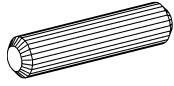


# VI



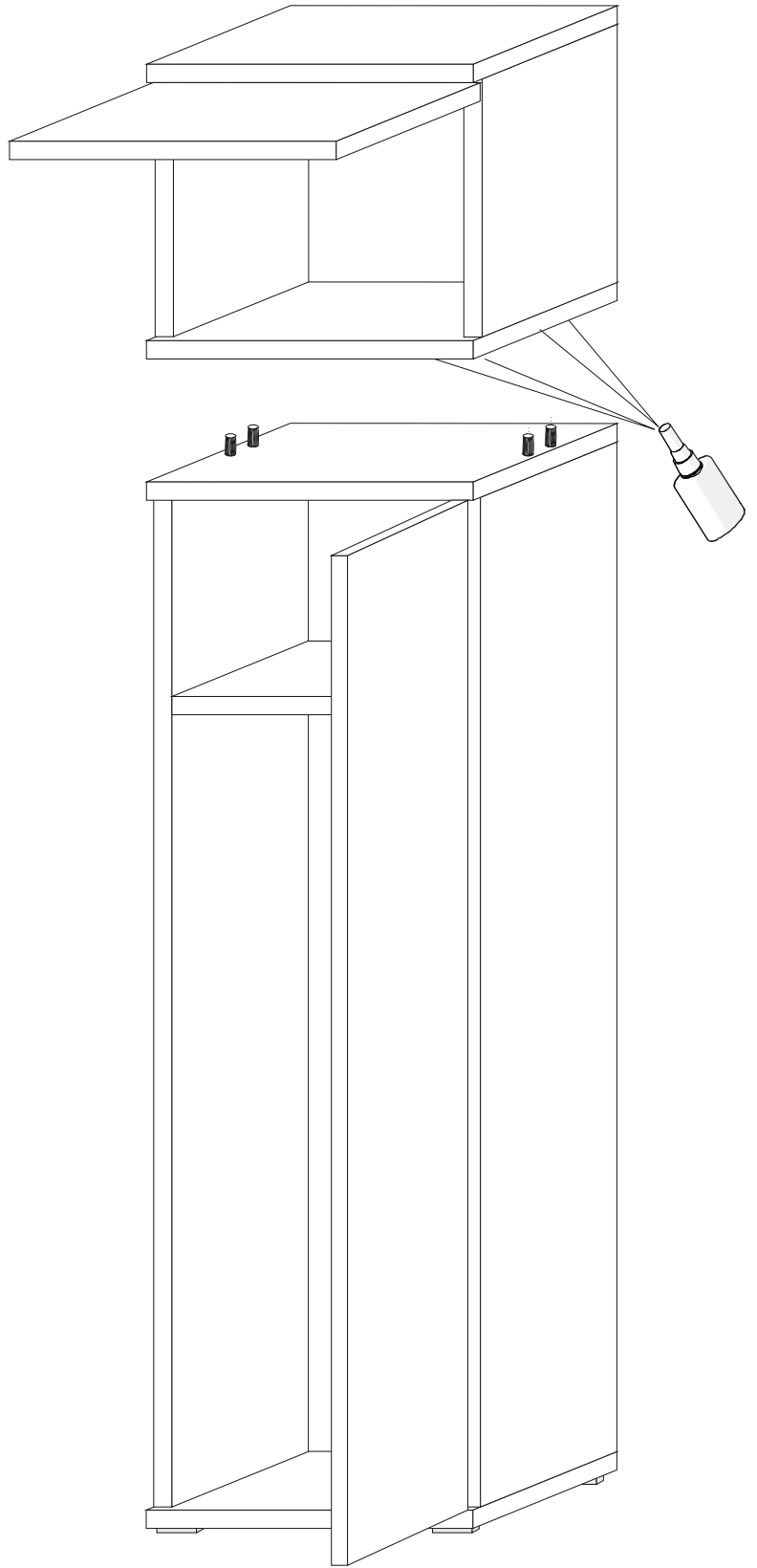
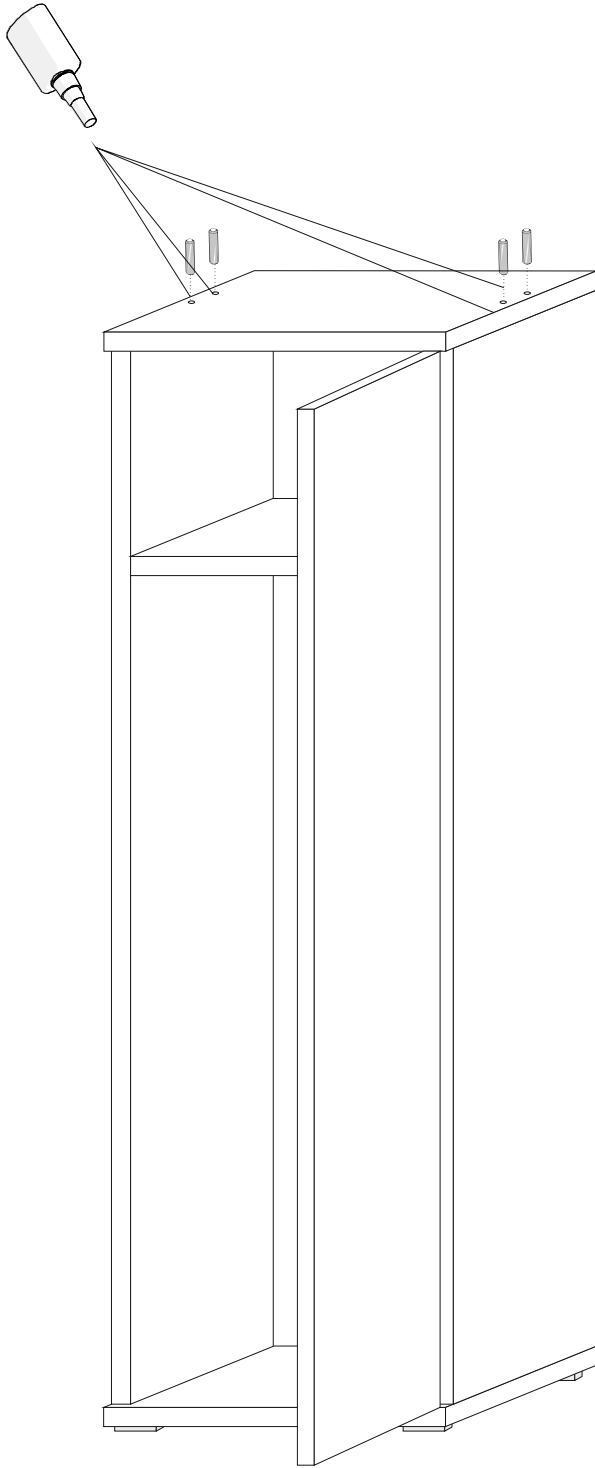
# VII

B1



8x30mm

x4



# VIII

