



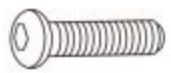

	A
				X1	
	B		C		D
X2		X2		X2	
	E		F		G
M6x20 mm	X16	M6x45 mm	X6	X6	

