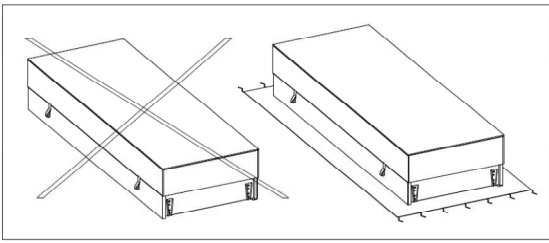
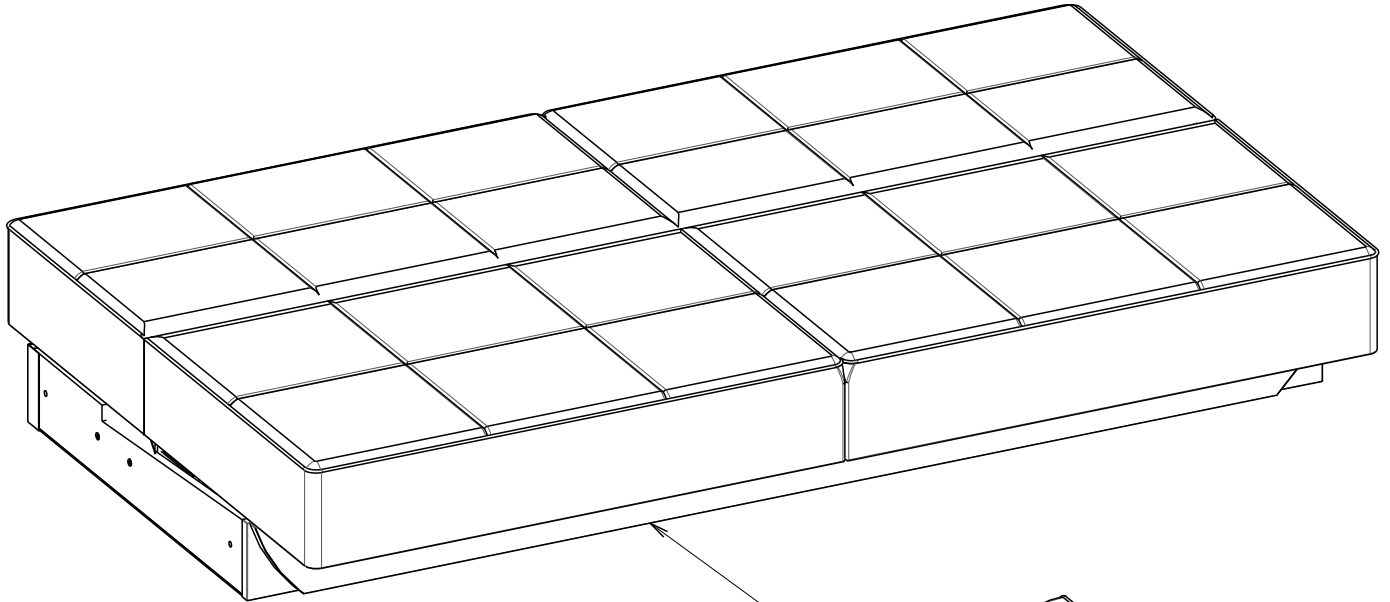


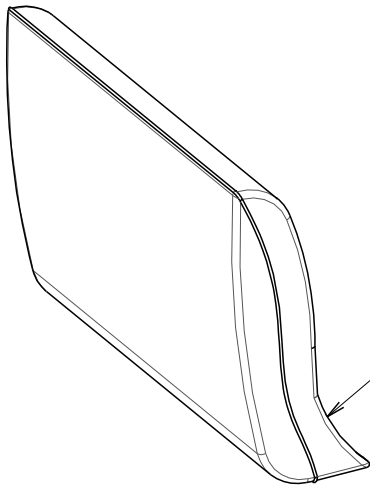
30min



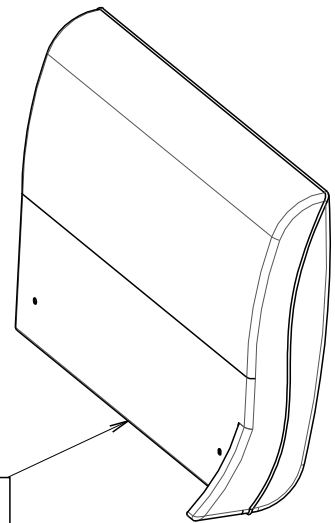
S	1x
L	1x
R	1x



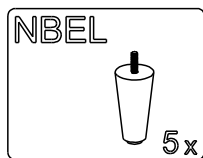
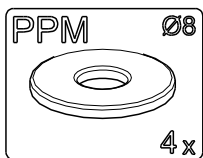
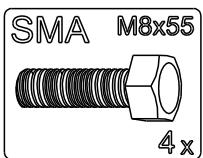
S



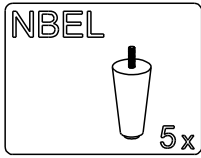
L



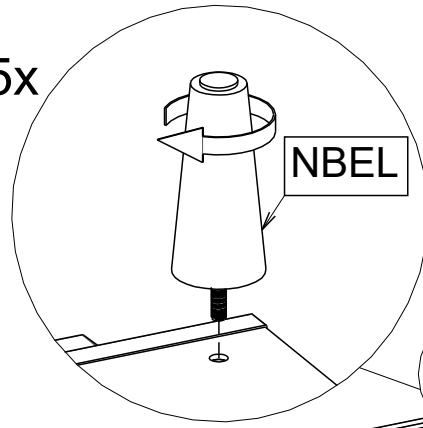
R



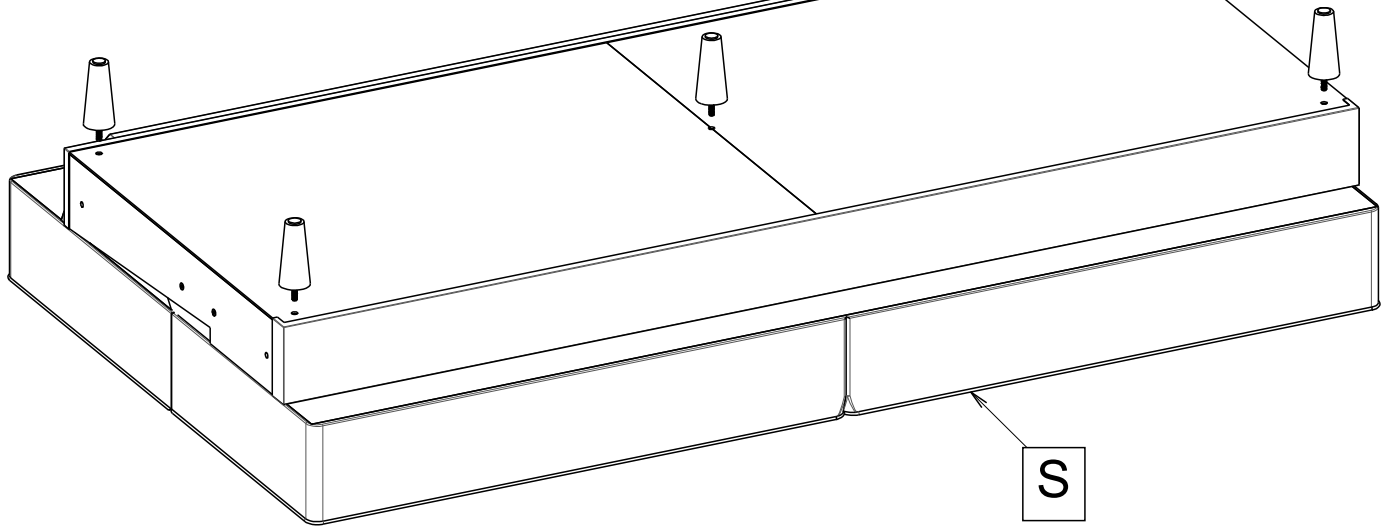
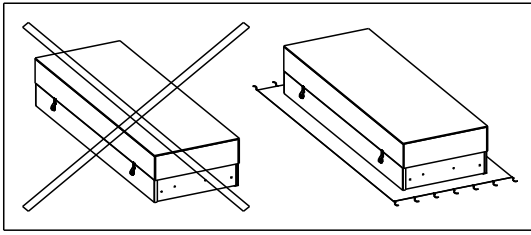
1



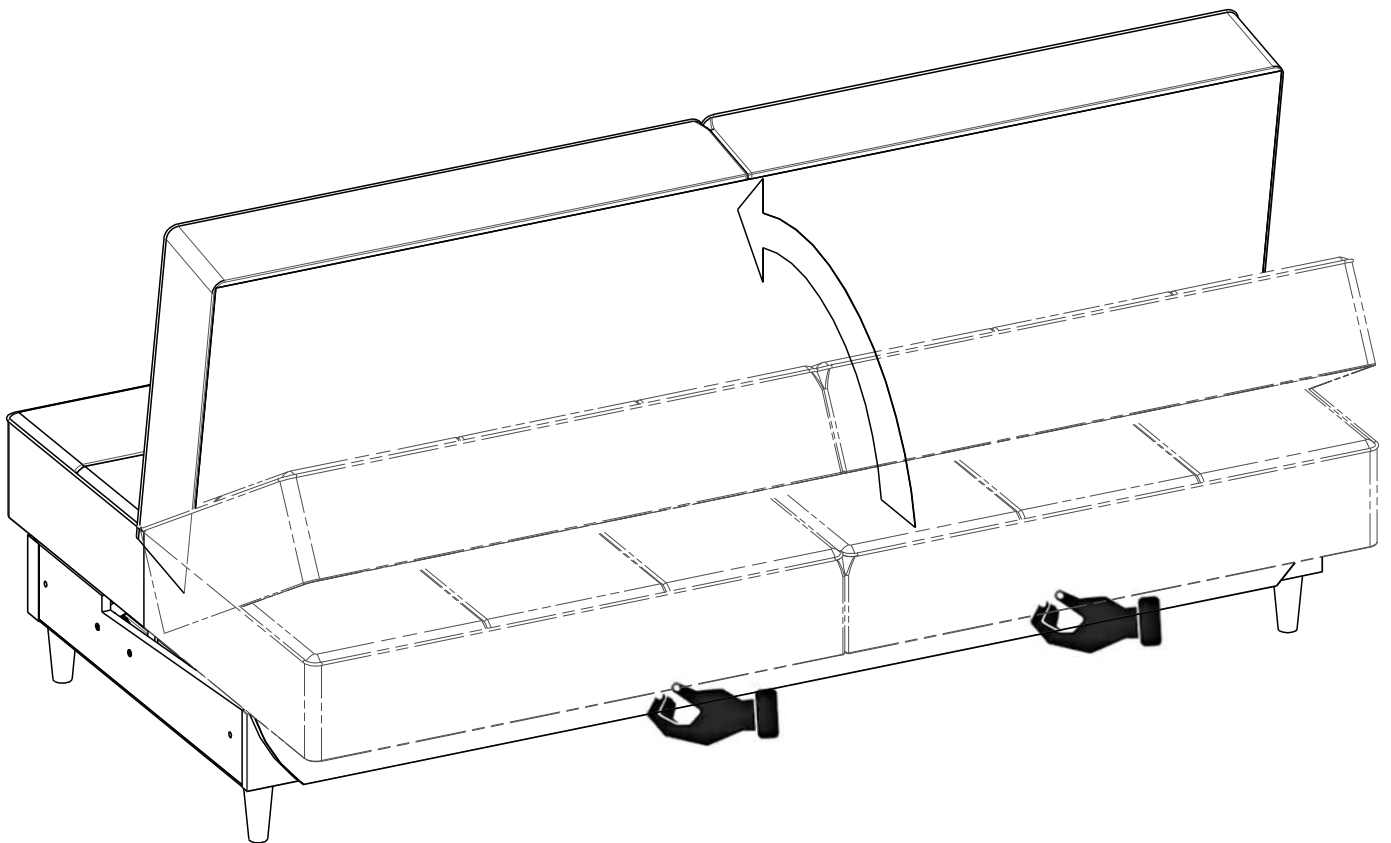
5x



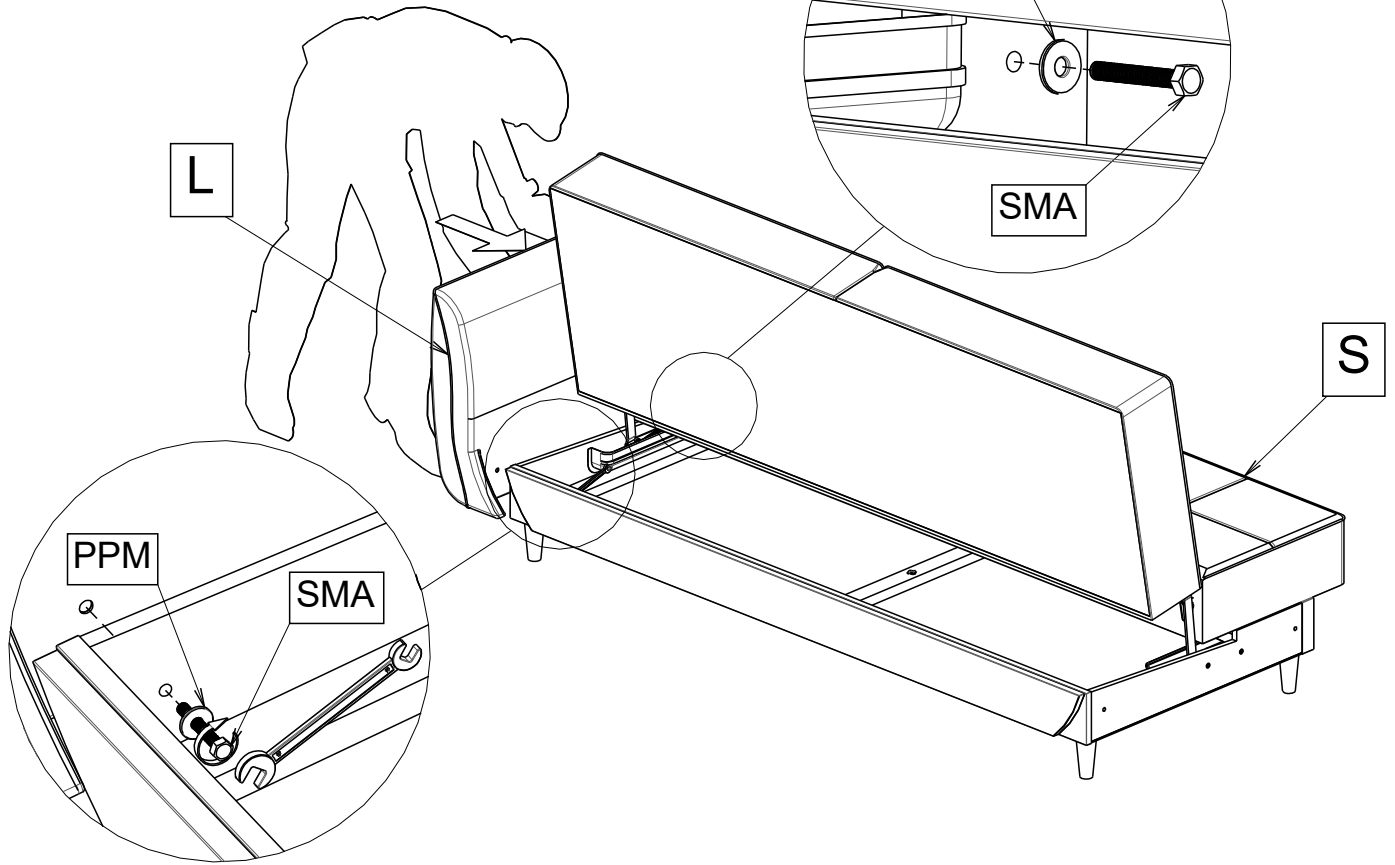
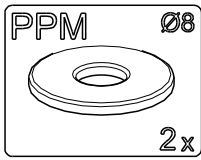
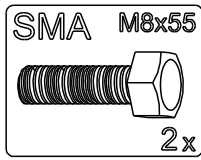
NBEL



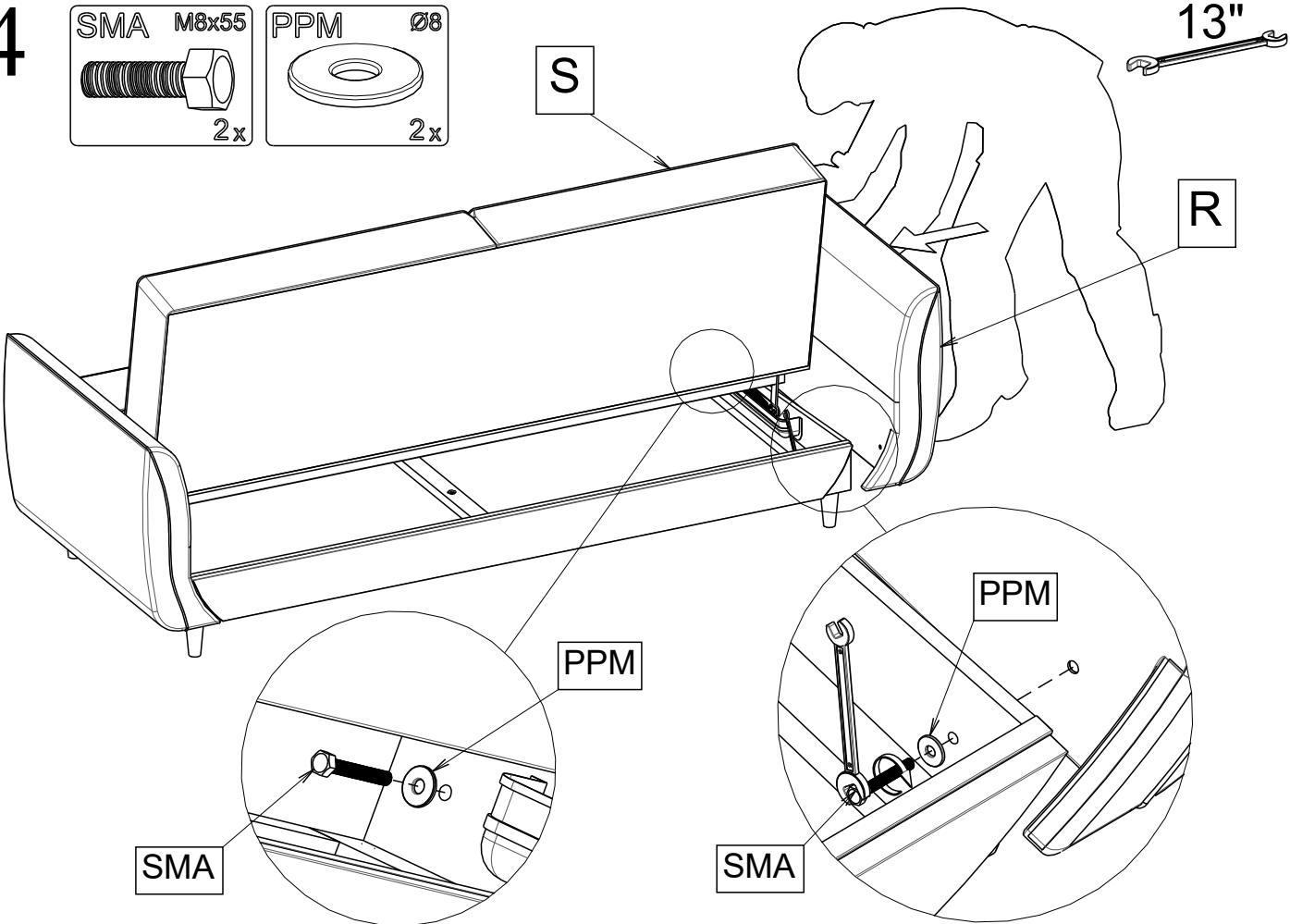
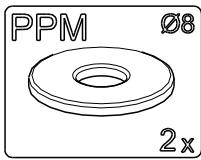
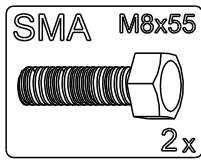
2



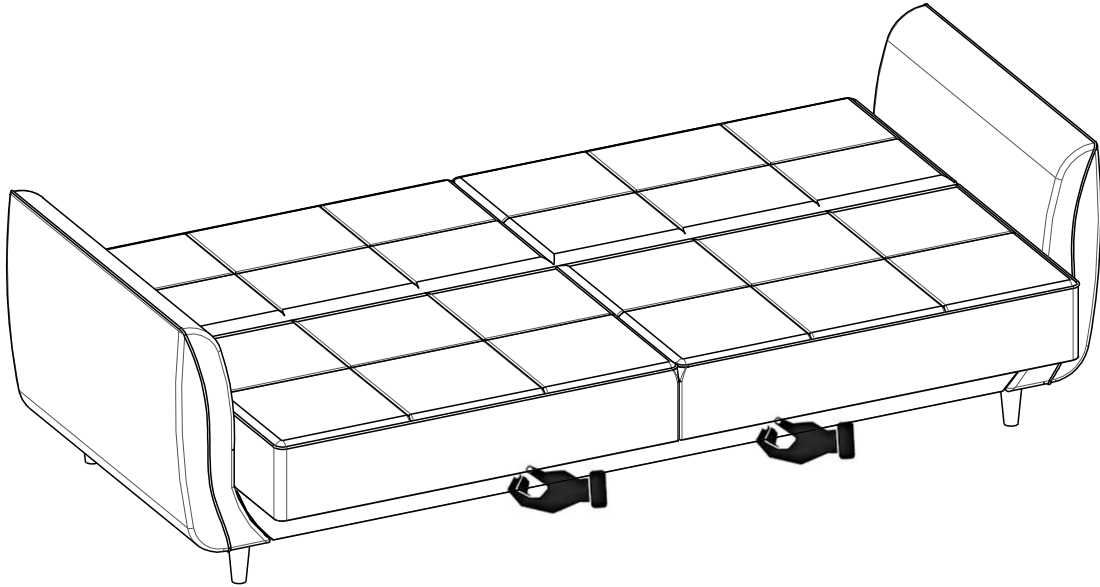
3



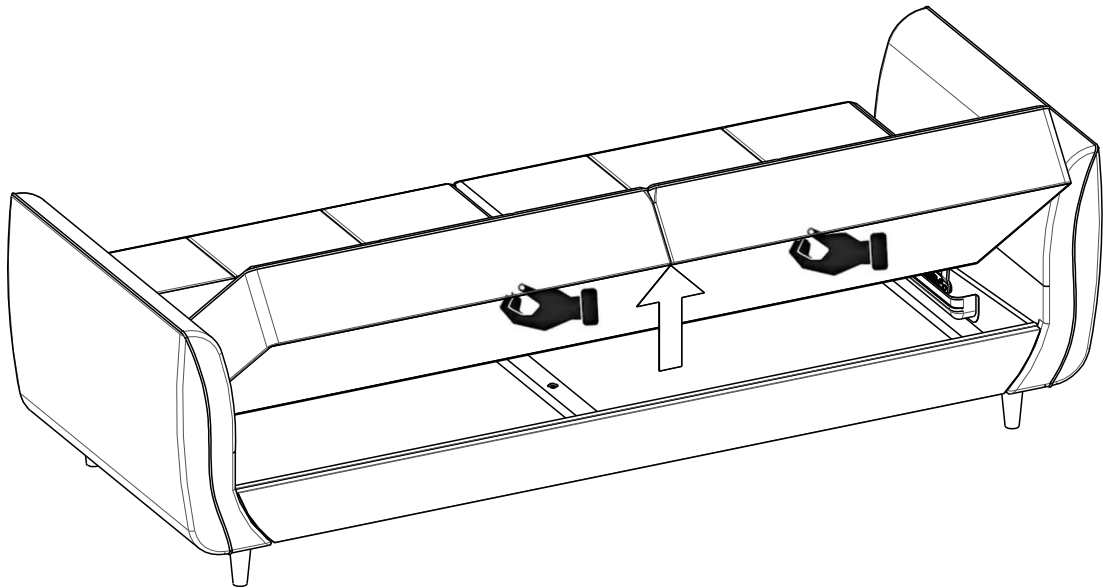
4



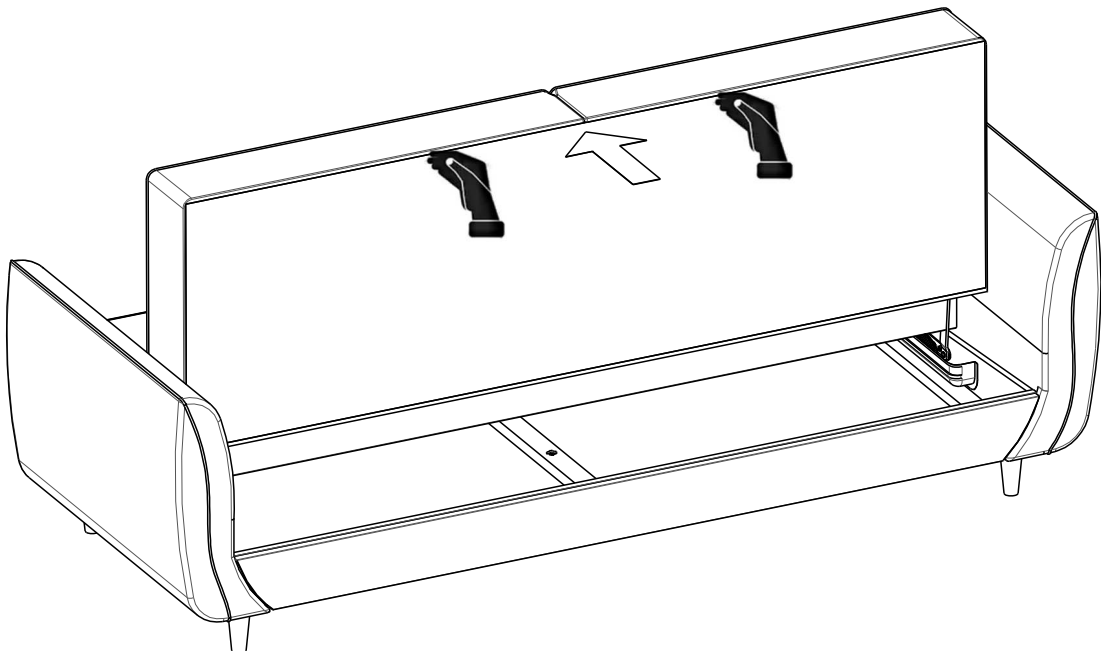
A



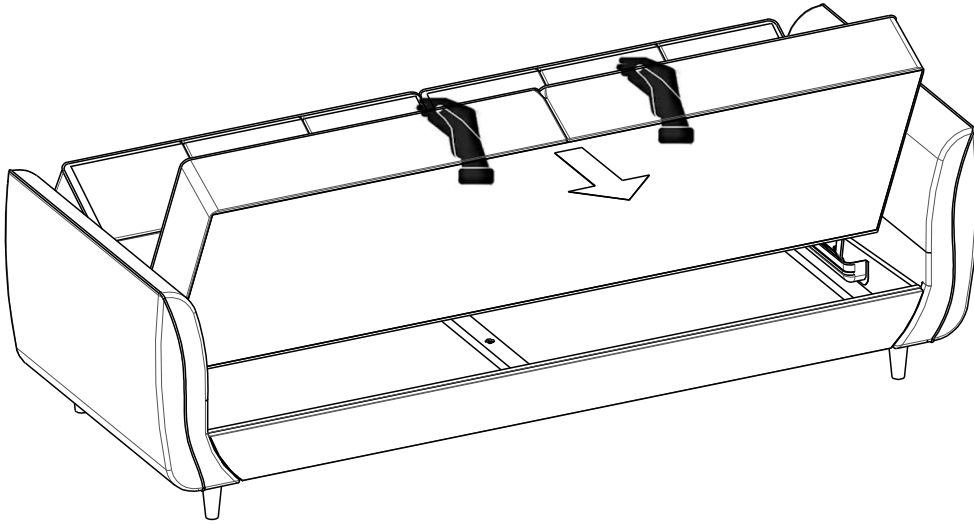
B



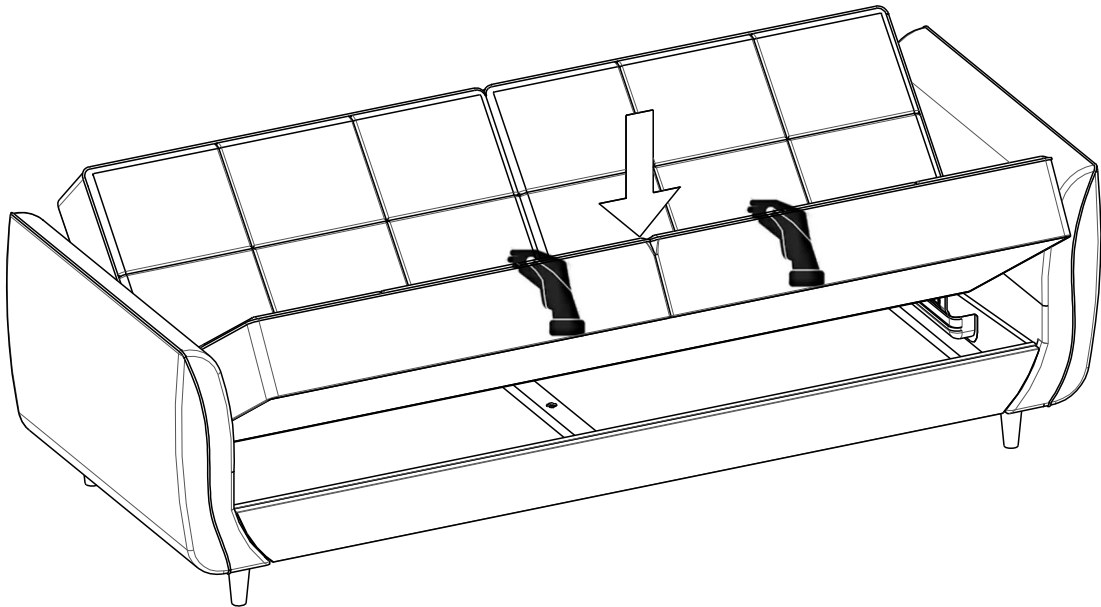
C



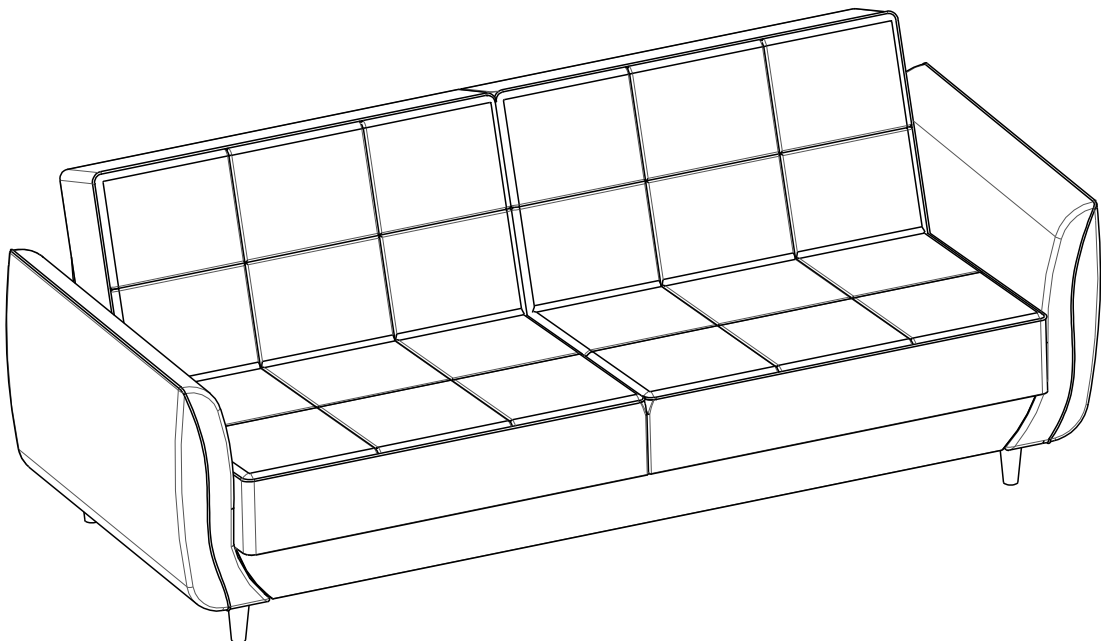
D



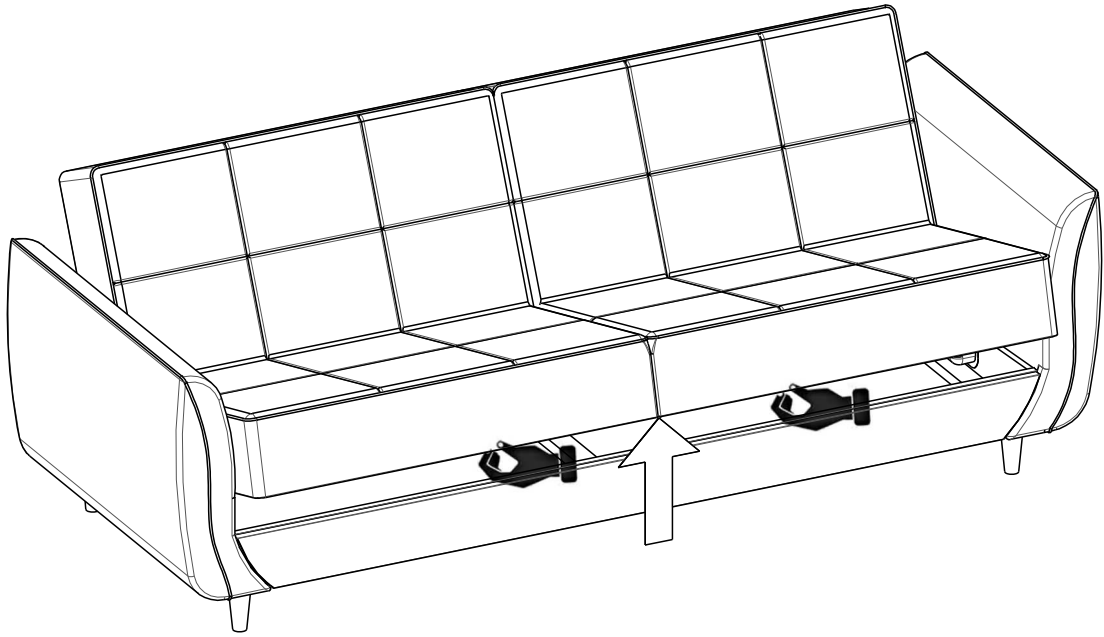
E



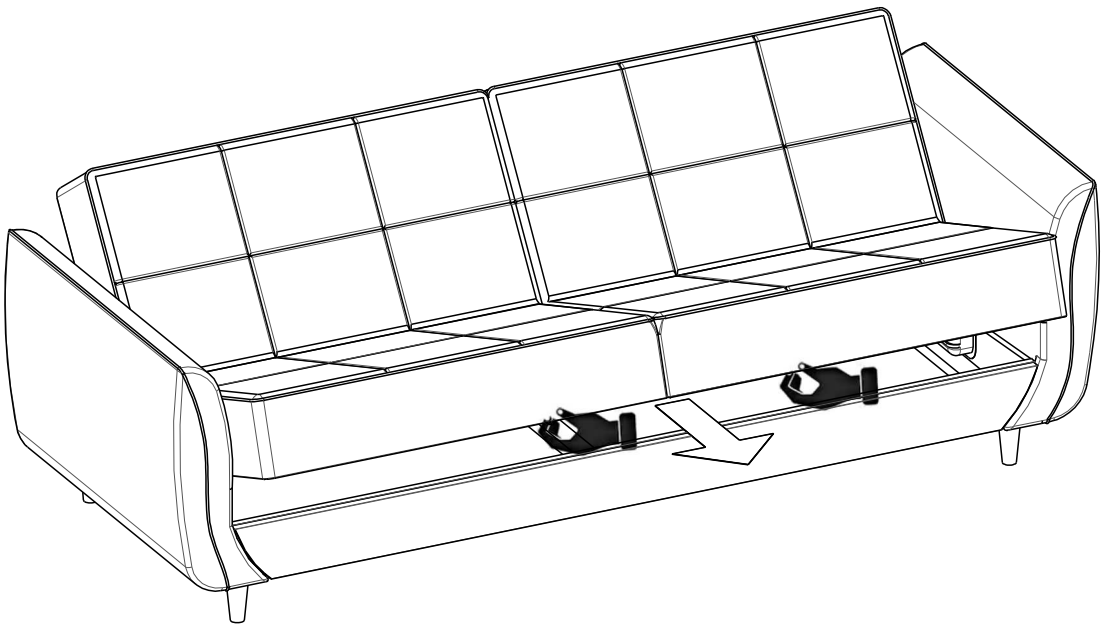
F



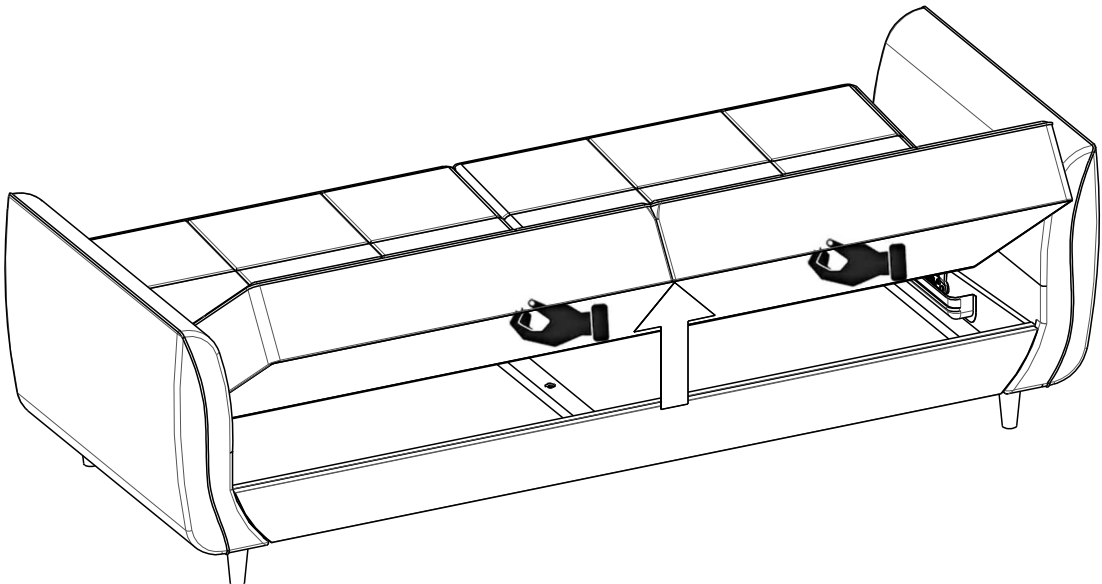
G



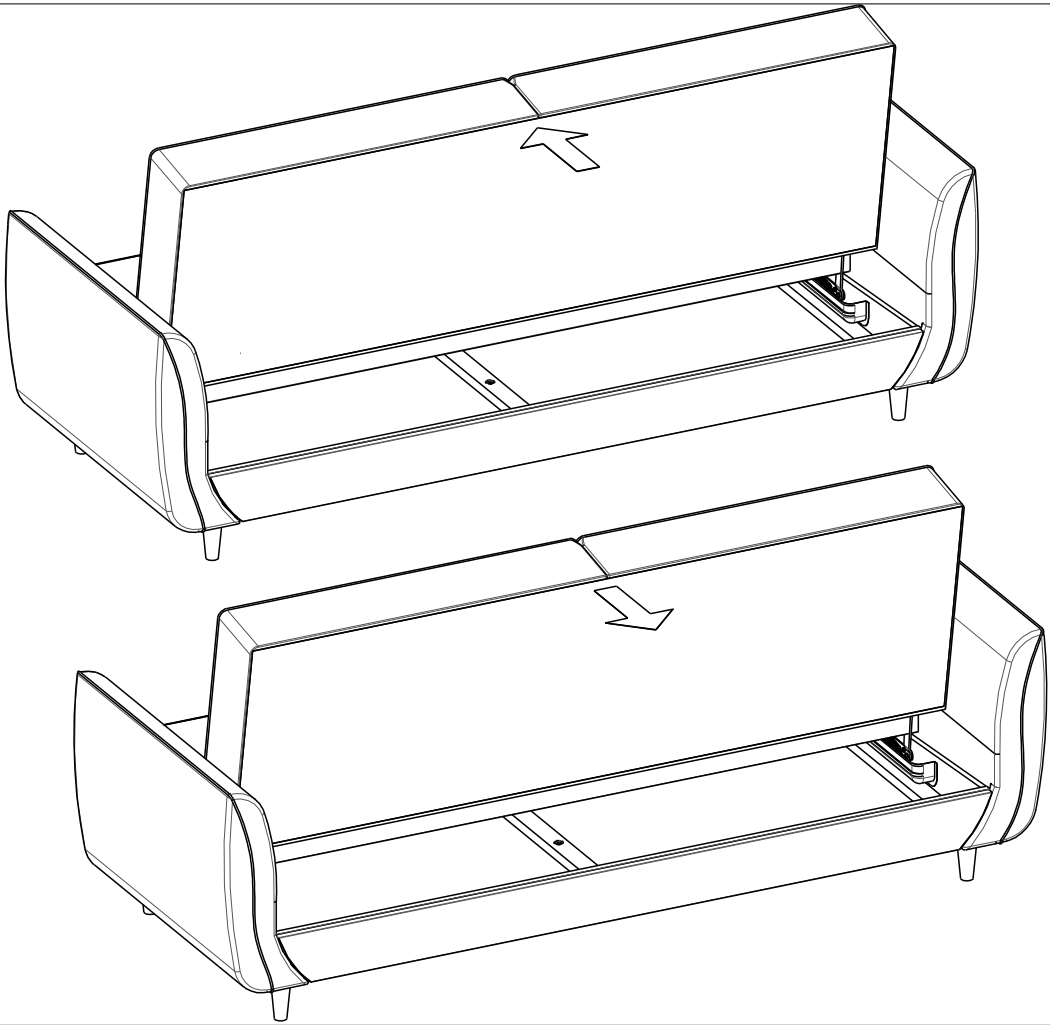
H



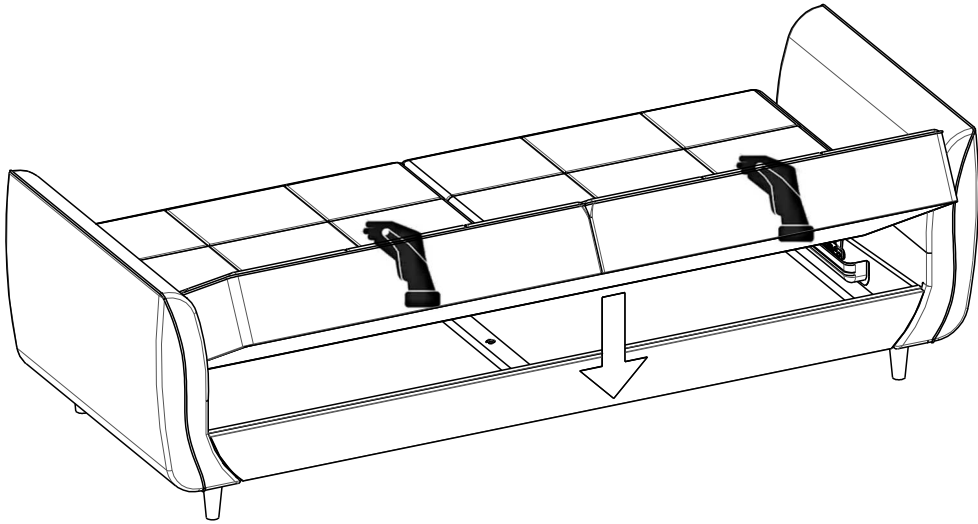
I



J



K



L

