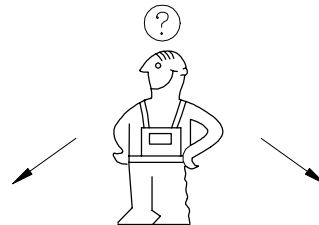
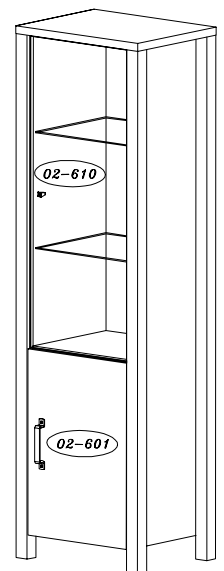
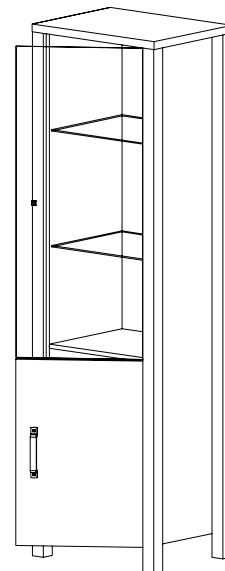
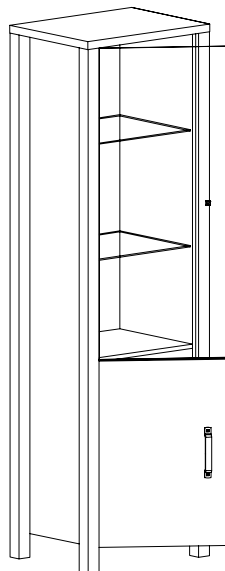
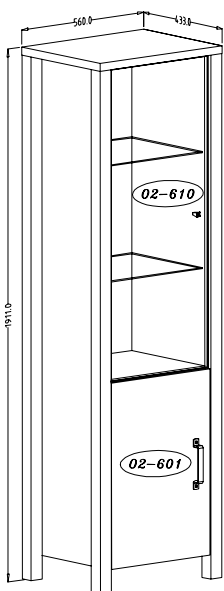
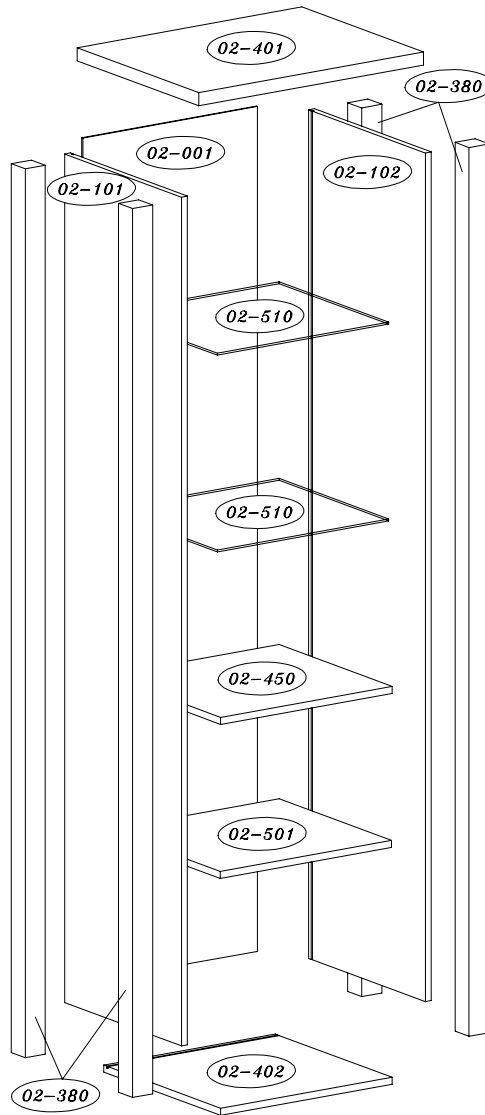
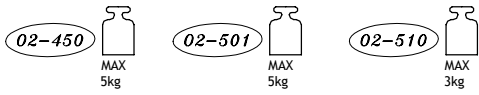
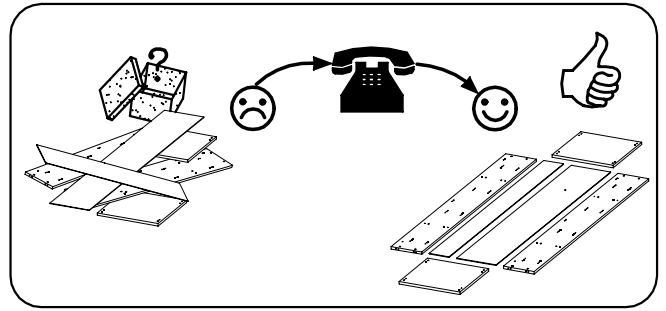
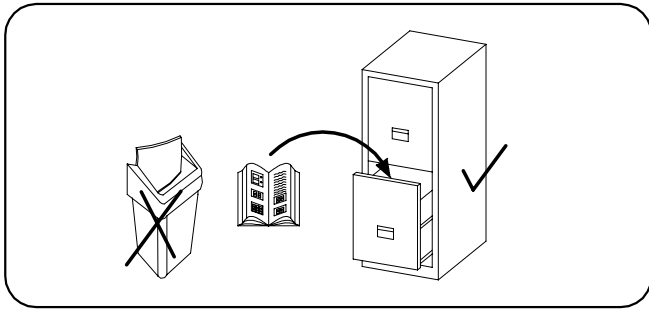


L



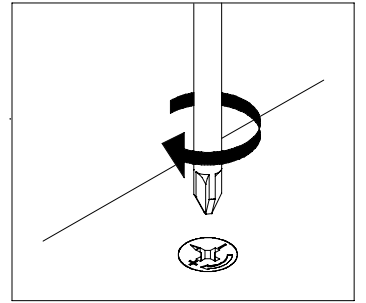
R


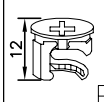
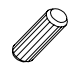



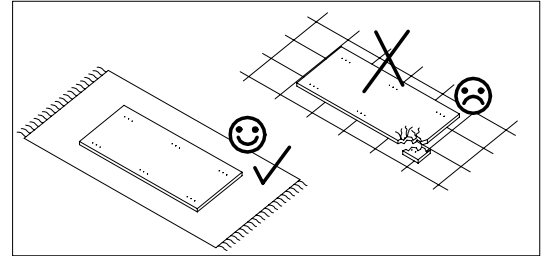


E1	C1	
12	22	
G4	Y16	
1	3	
T1	X13	
1	3	
D	UA28	
24	1	
A	B	C3
12	12	2

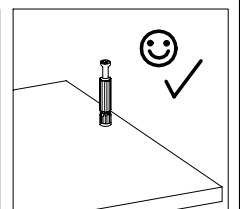
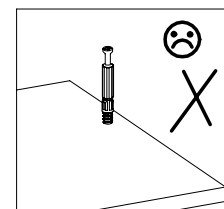
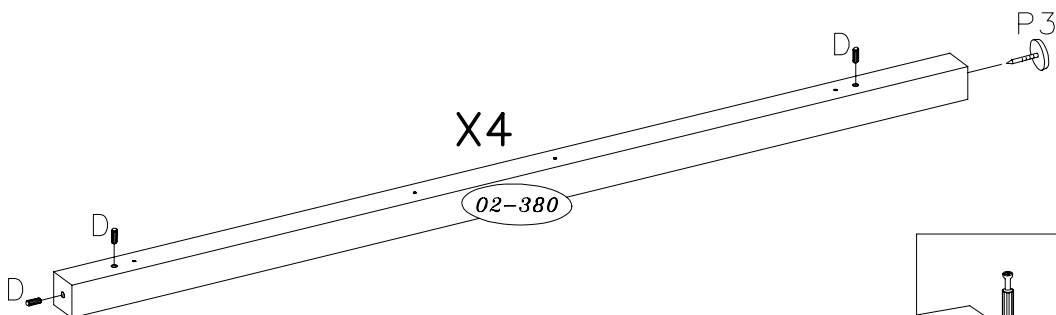
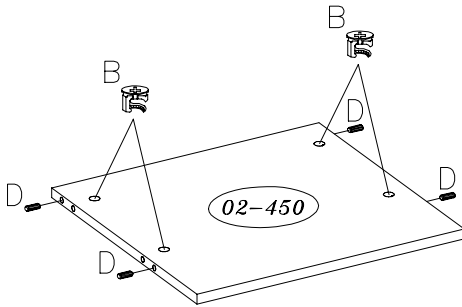
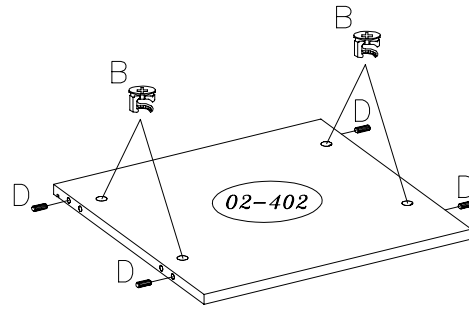
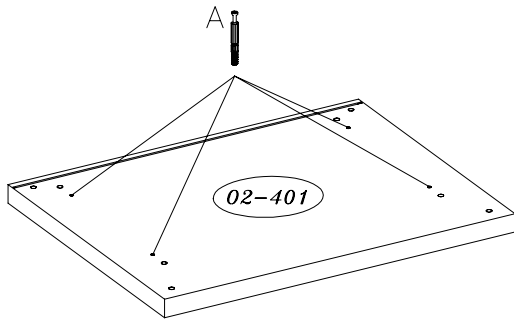
F	G	K	I1	J3	P3	J	Y	X	Y15	UA27
4	2	20	1	2	4	12	2	2	3	1





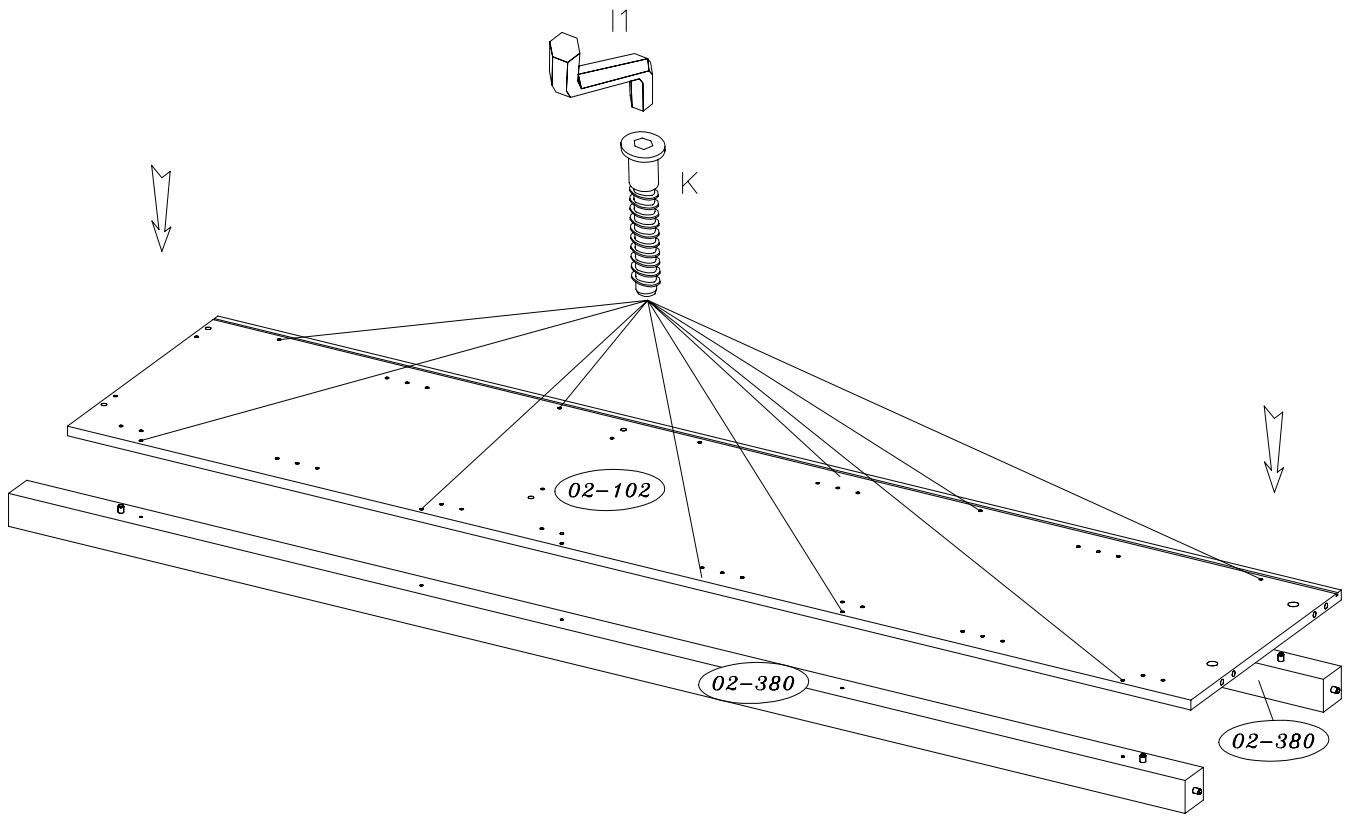
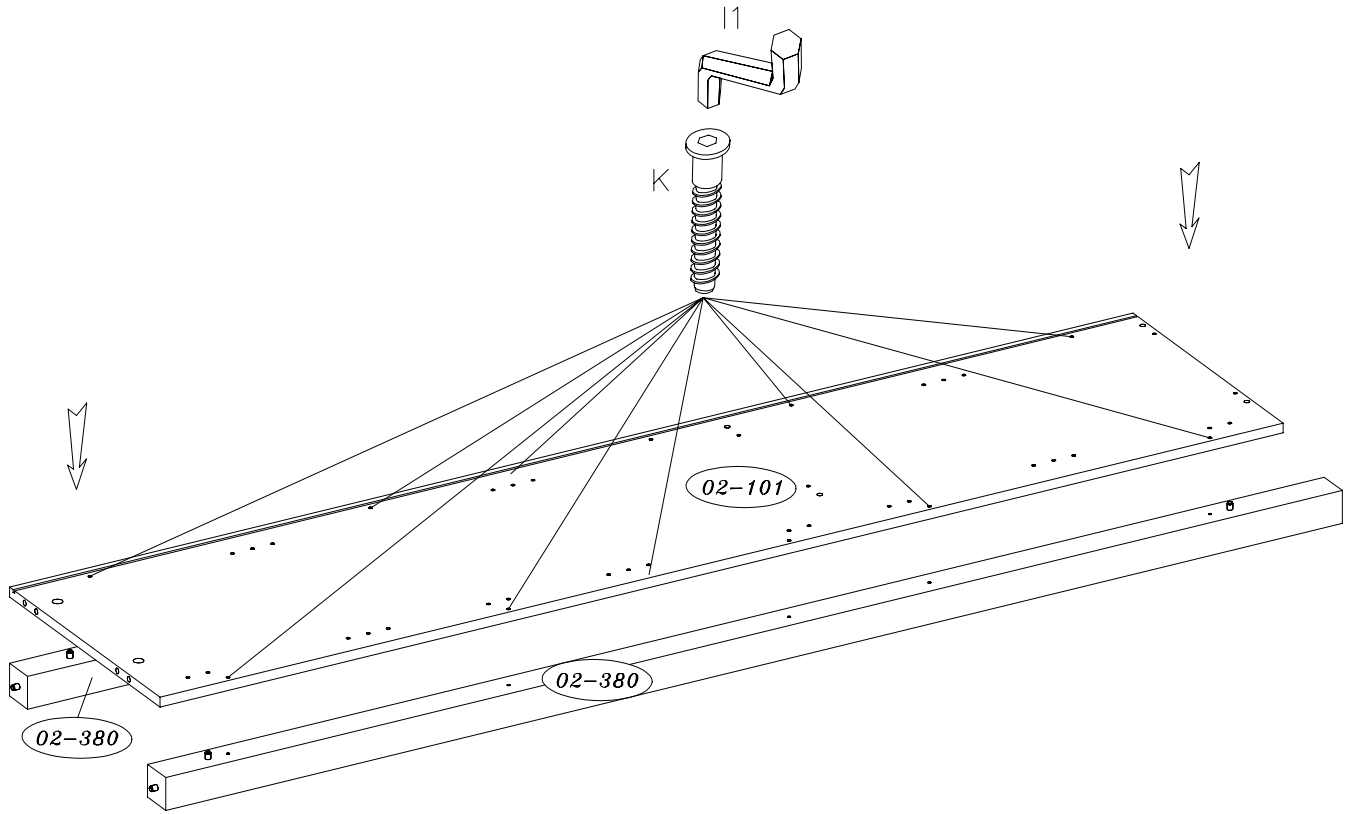
 A	 B	8.0x30  D	 P3
4	8	20	4


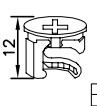
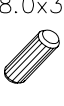


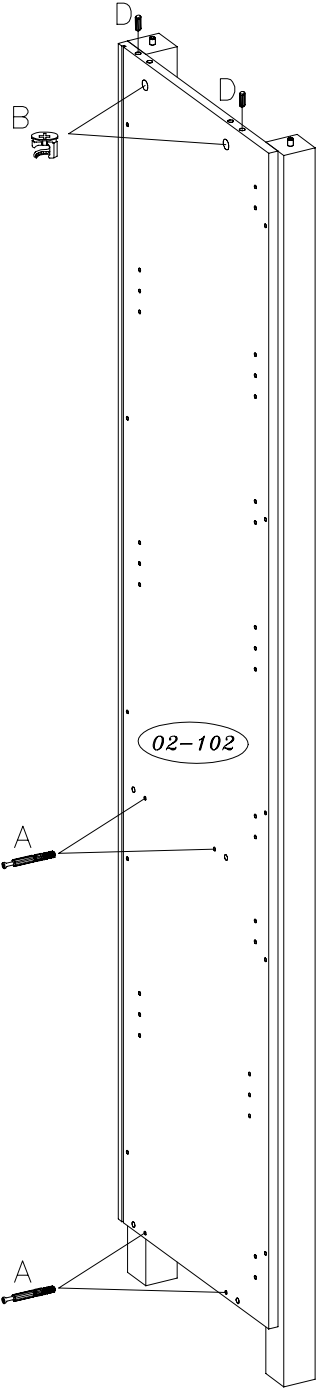
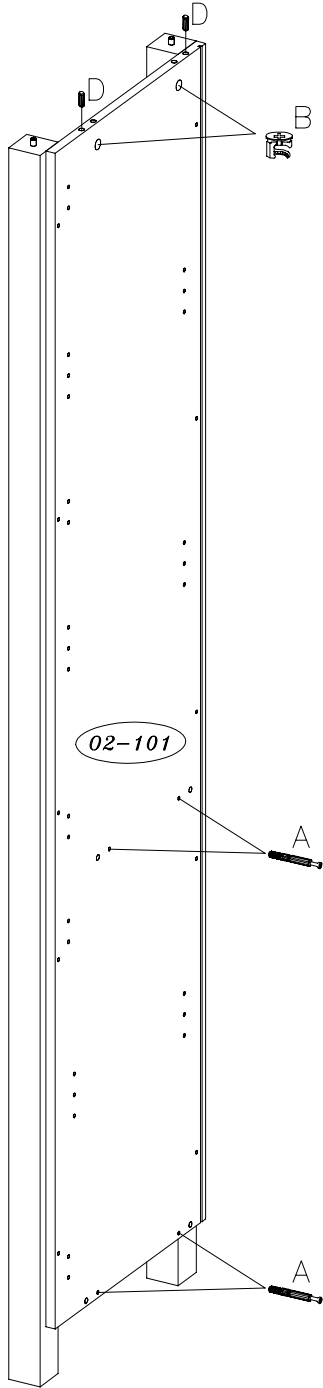
1





5.0X50  K 20	3mm  I1 1
---	---

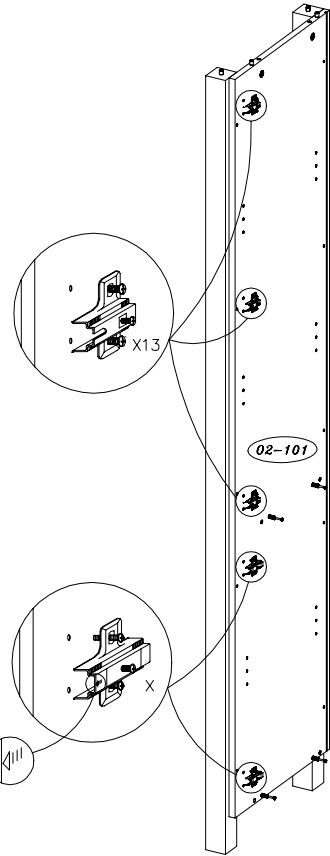
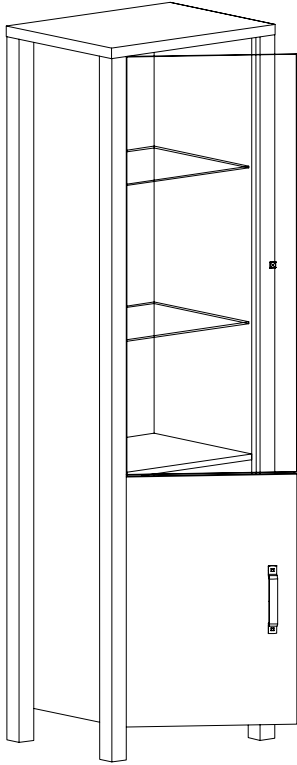


 A	 B	 D
8	4	4

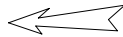
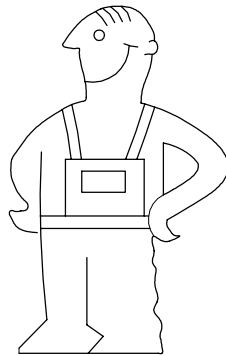


 X	 X13
2	3

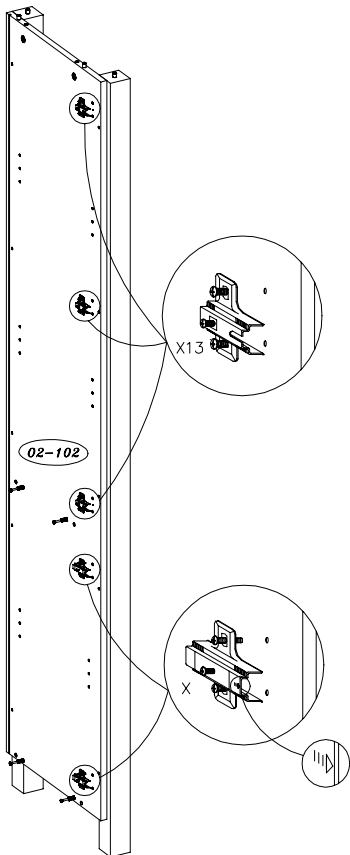
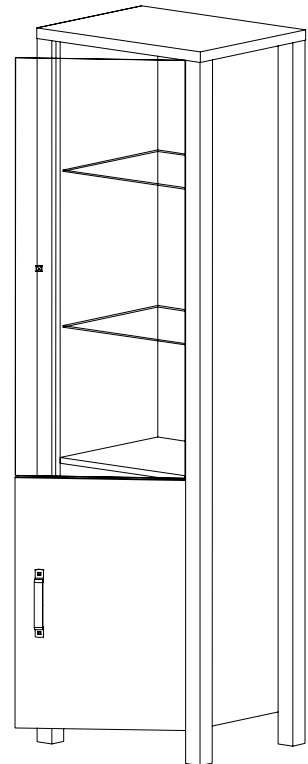
L

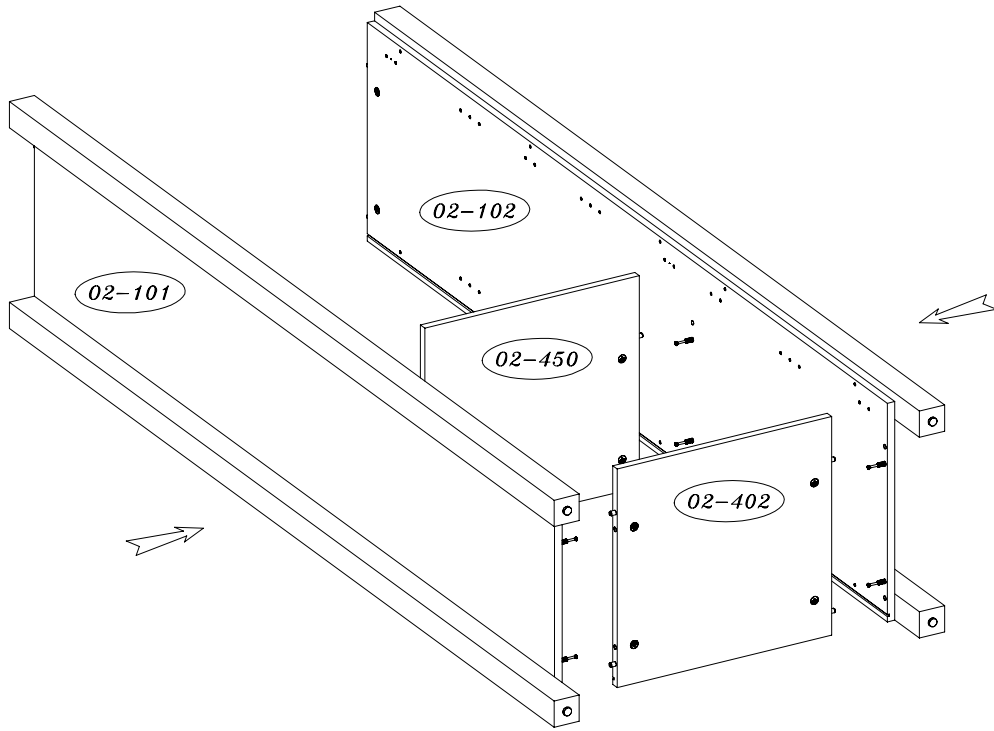


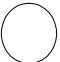
L/R

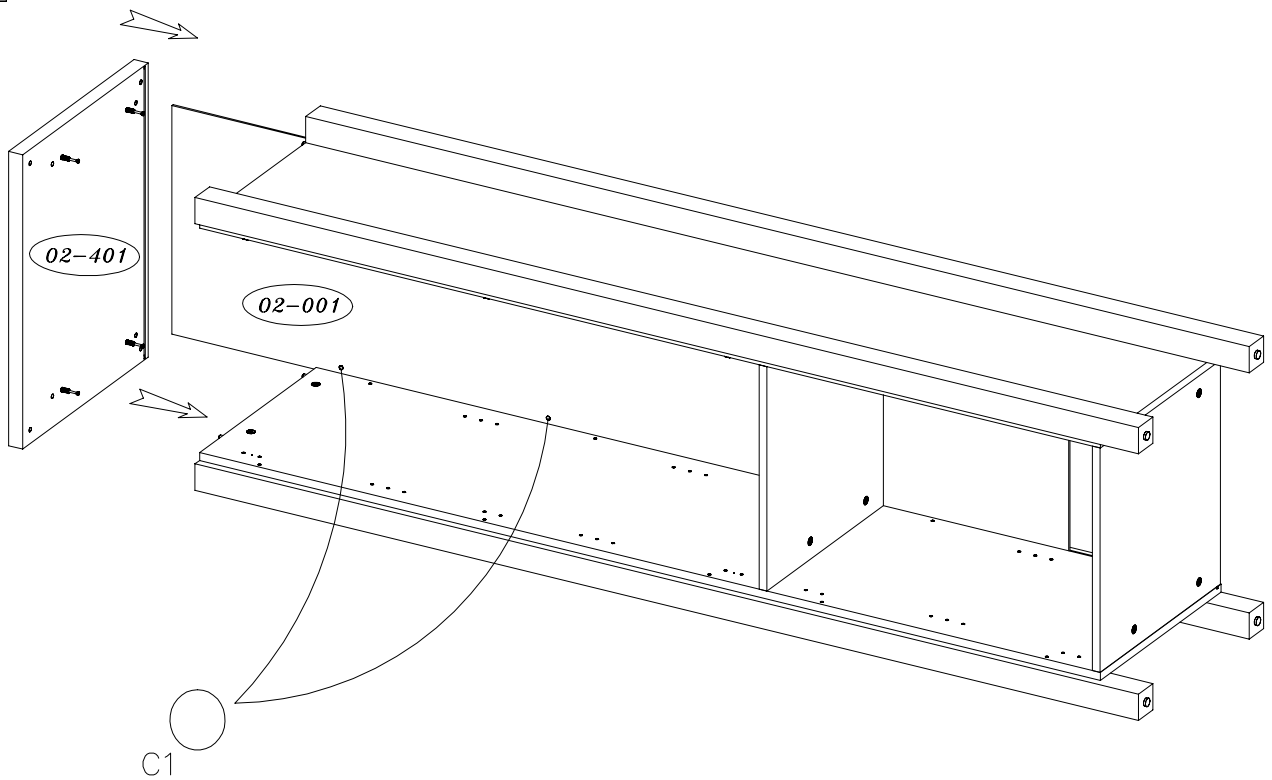


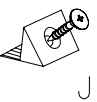
R

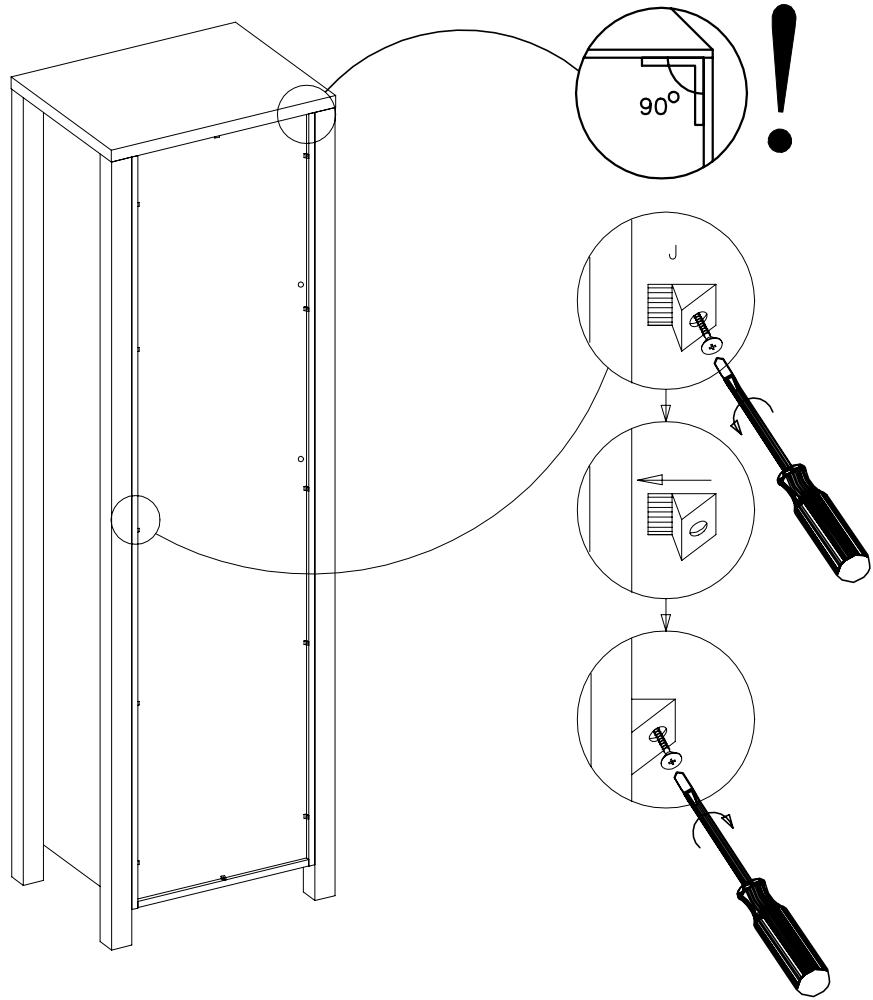



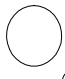



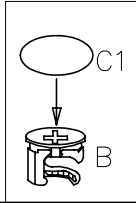
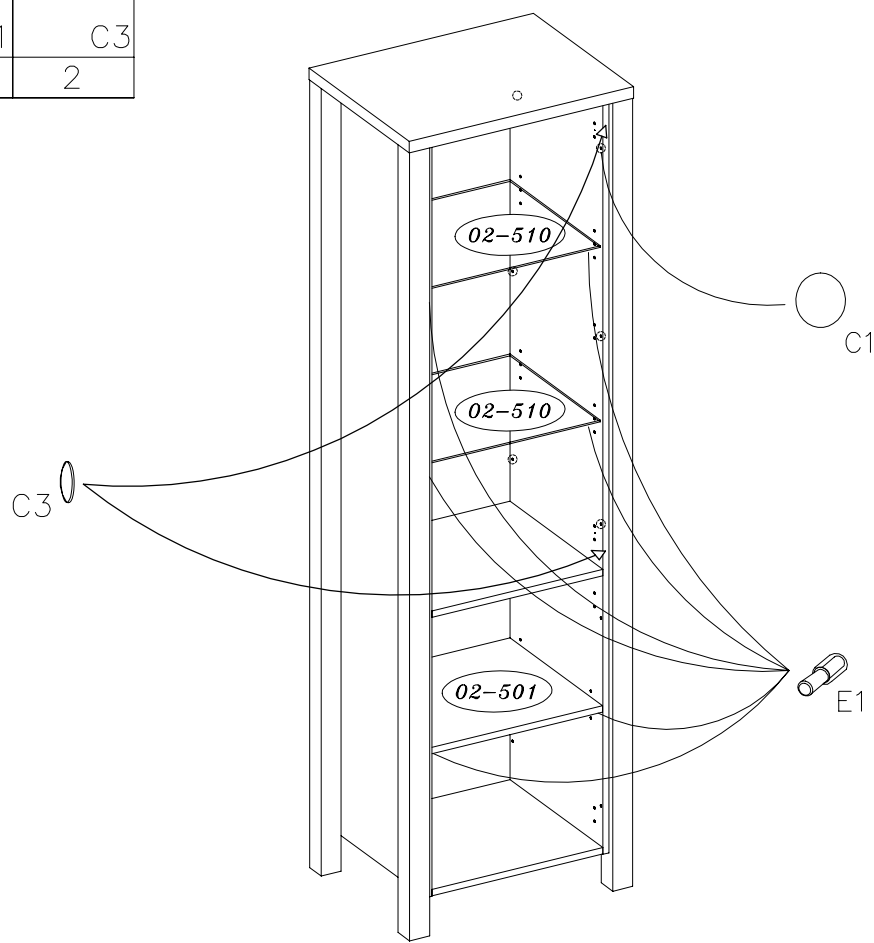

C1
2

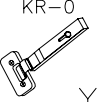



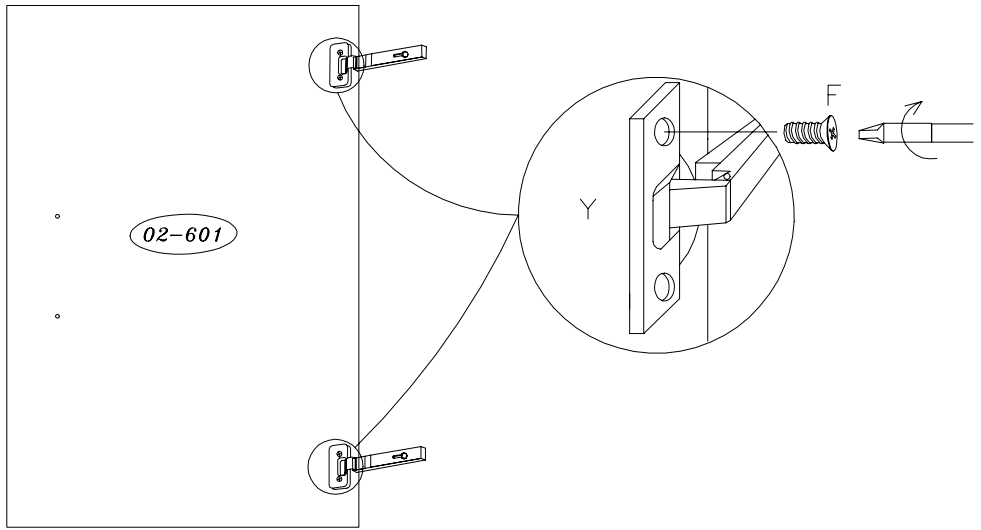

12

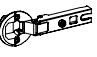



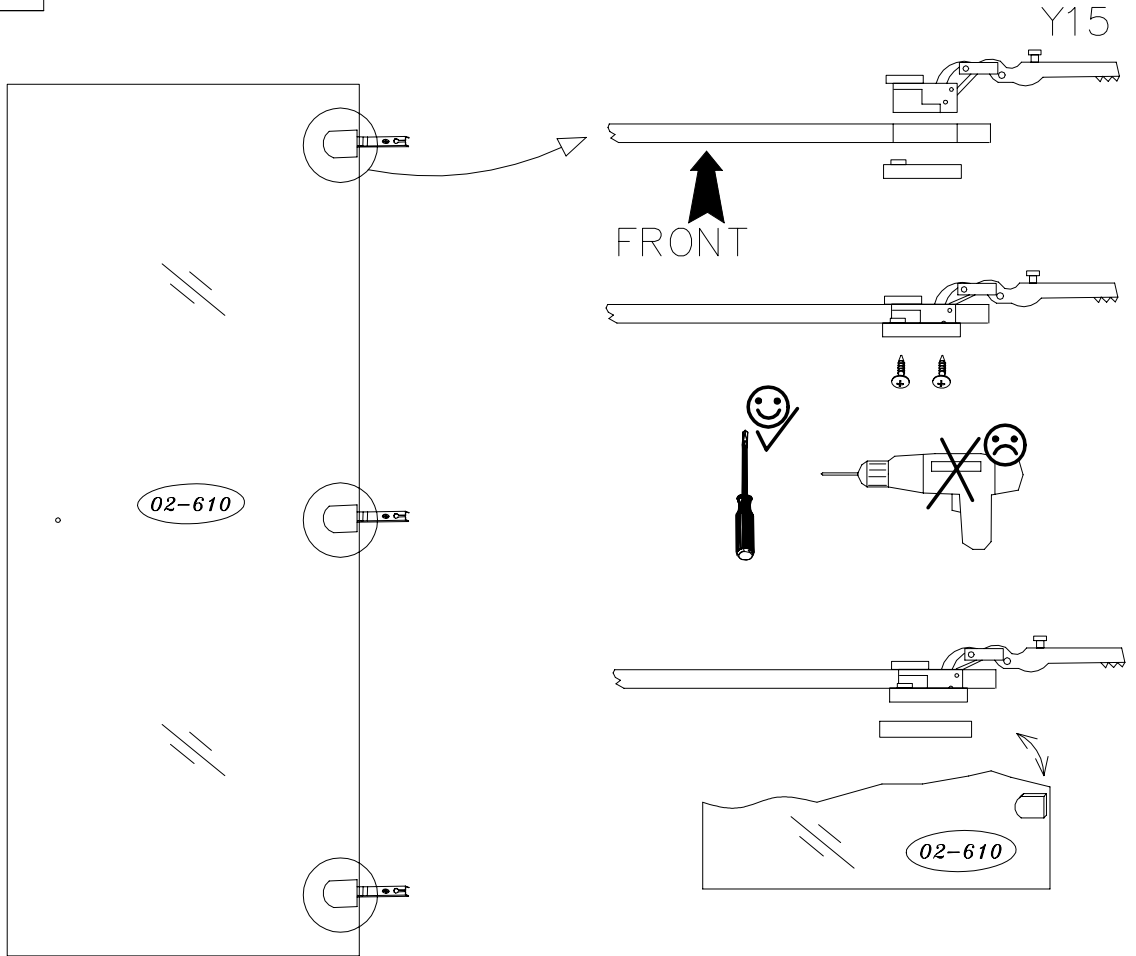
		
E1	C1	C3
12	20	2

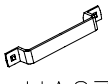






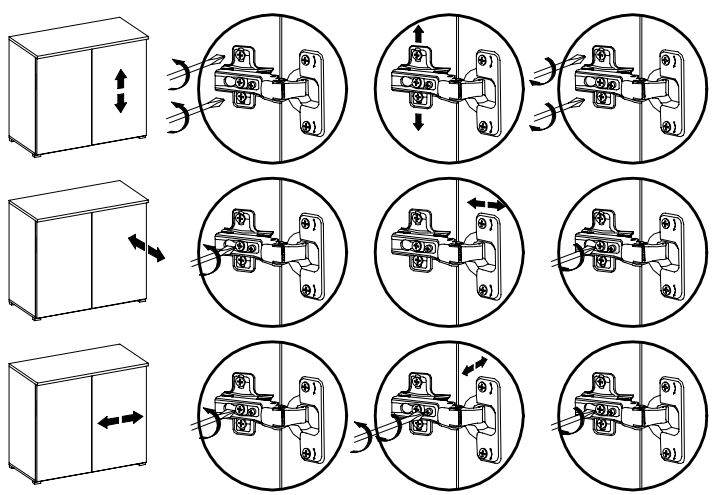
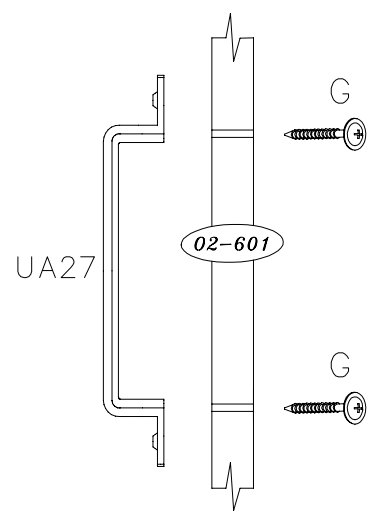
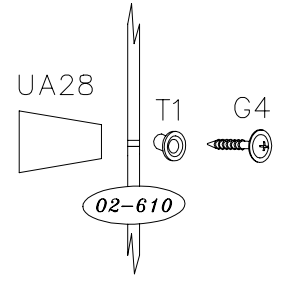
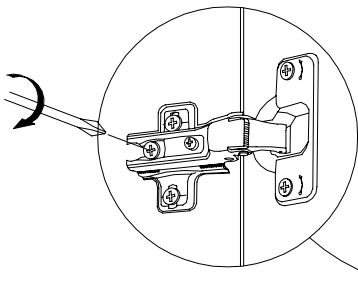
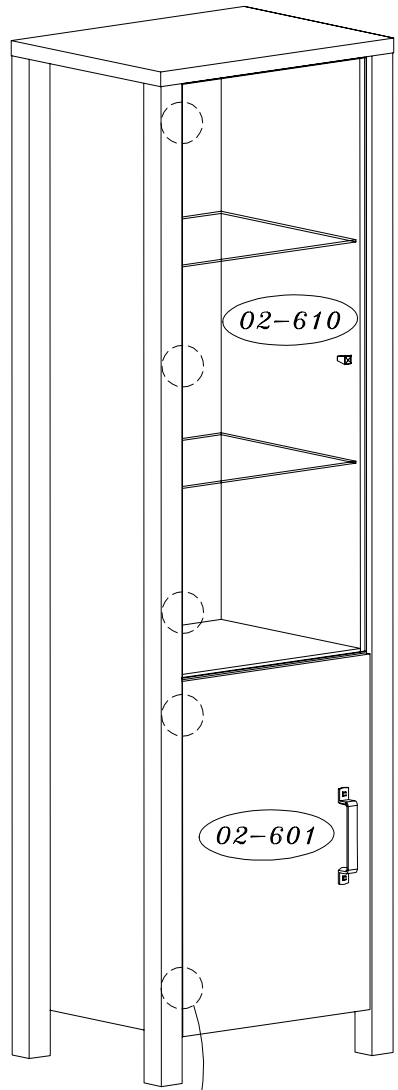
KR-0 	6.3x13 
Y	F
2	4

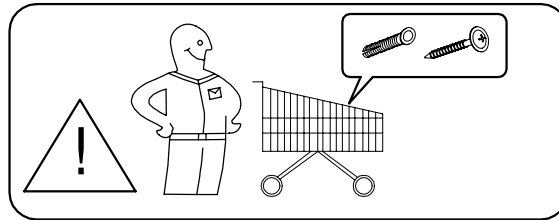
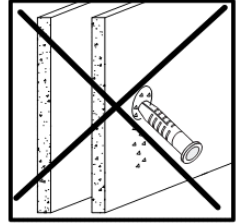
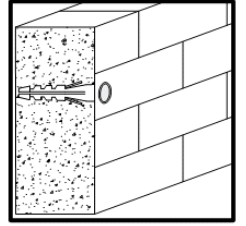
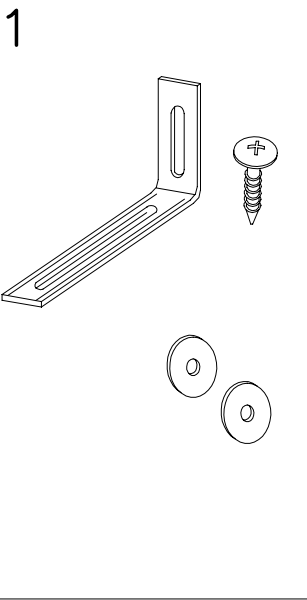


KR-0 	
Y15	Y16
3	3



	4.0x25 			4.0x16 
UA27	G	UA28	T1	G4
1	2	1	1	1





2

