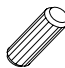






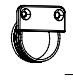

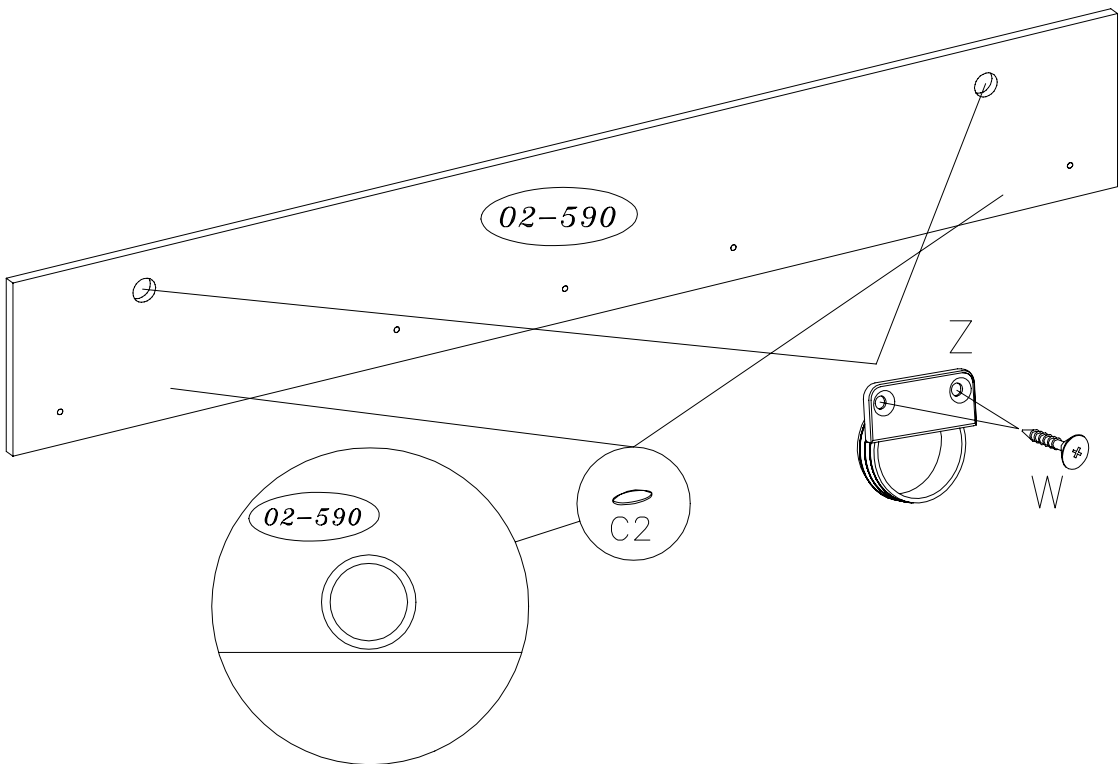


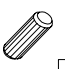
8.0x30  D	6.4X50  K1	4mm  I2	3.5X16  W	 Z	 C2
2	5	1	4	2	2

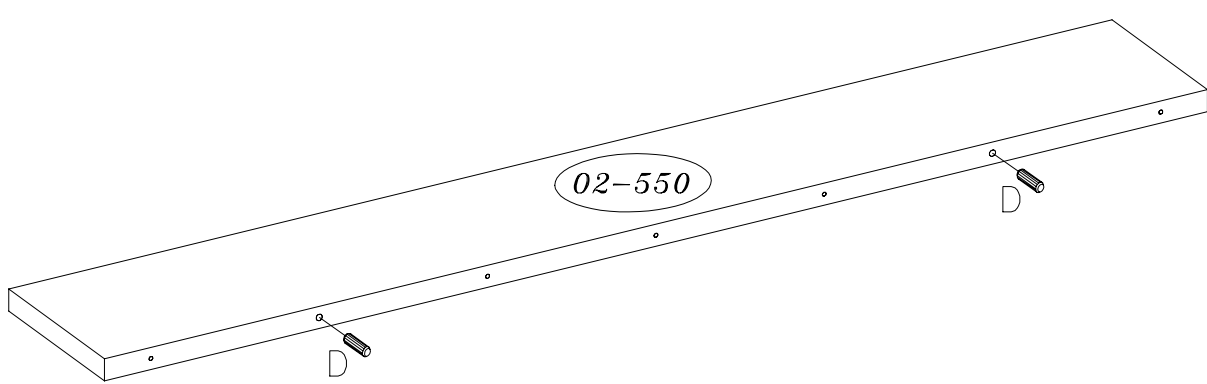
1

3.5X16  W	 Z	 C2
4	2	2

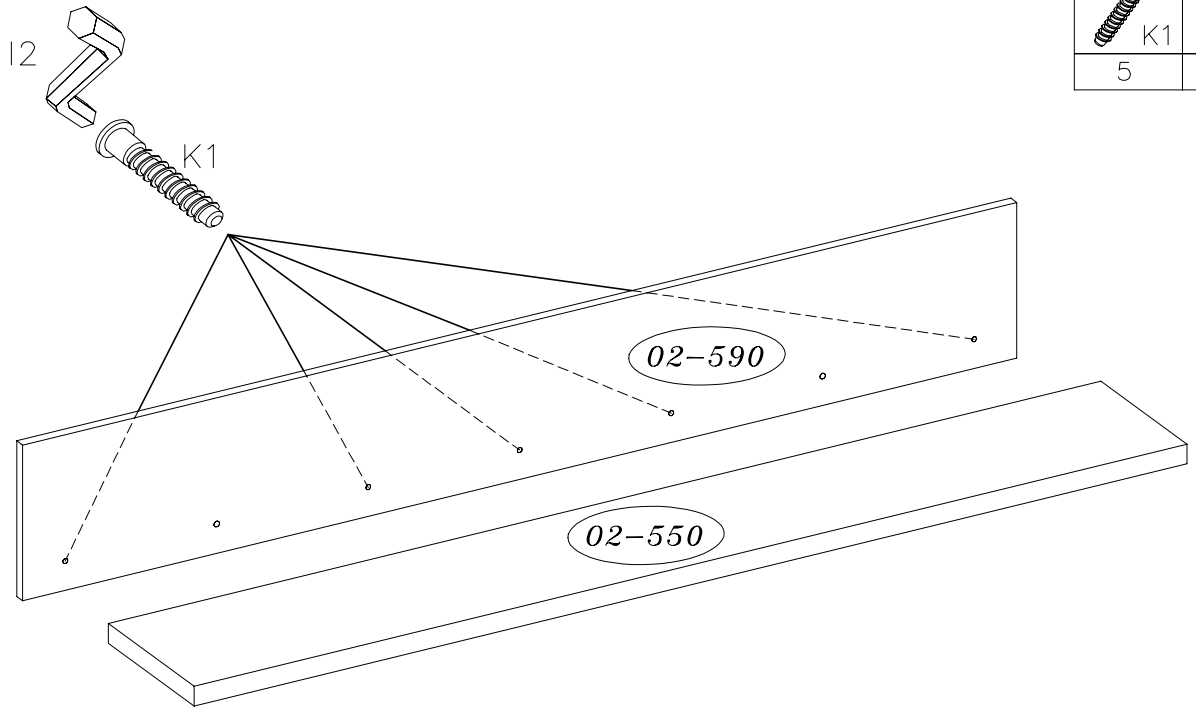


2

8.0X30  D
2



3



4

