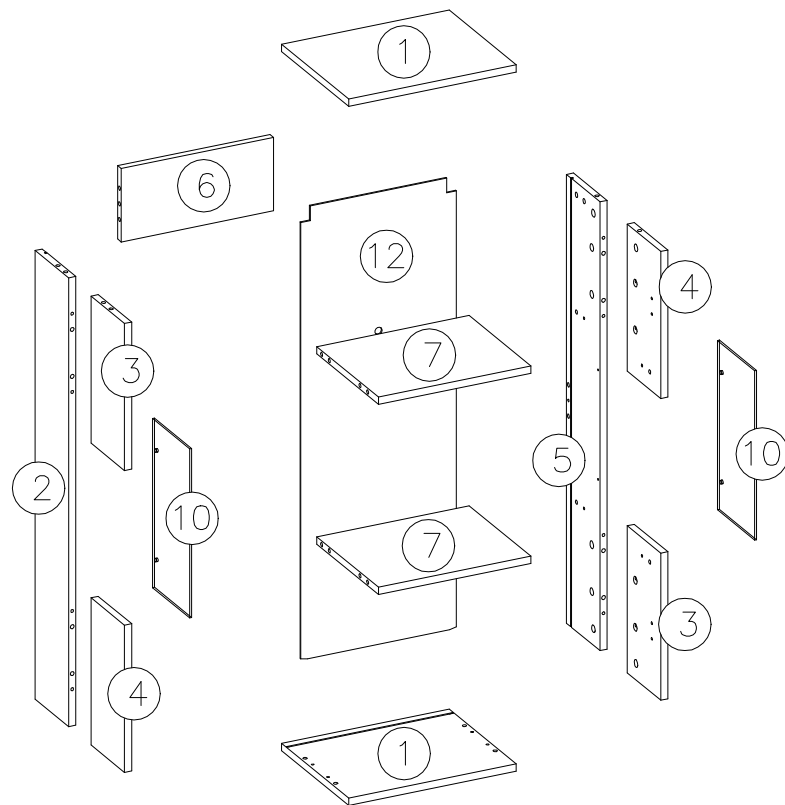
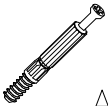
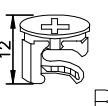
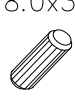
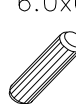
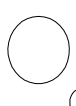


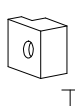

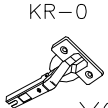
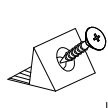
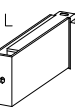
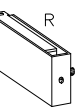

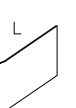
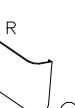
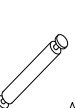

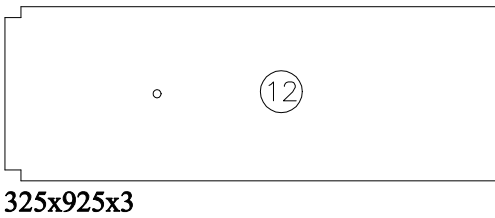
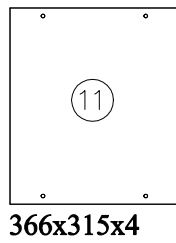
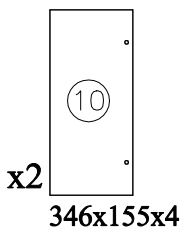
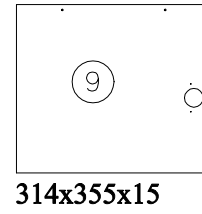
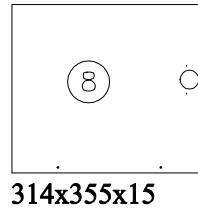
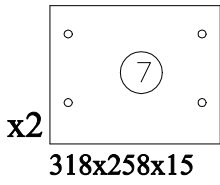
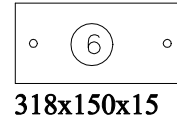
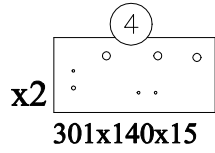
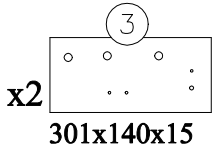
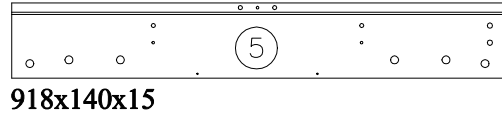
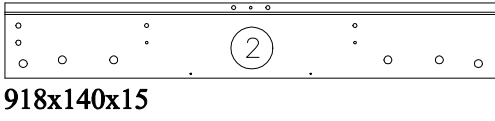
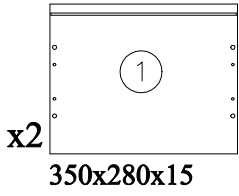
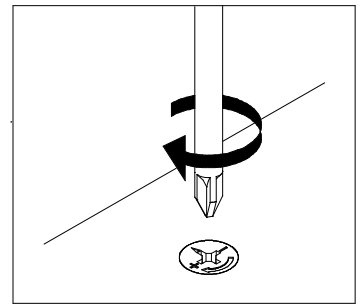
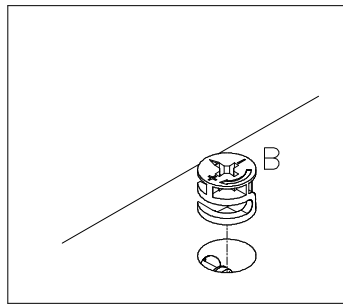
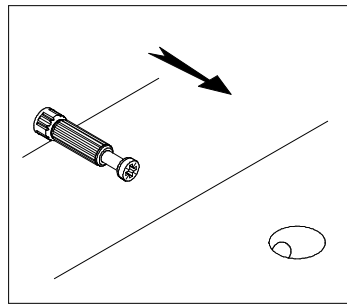
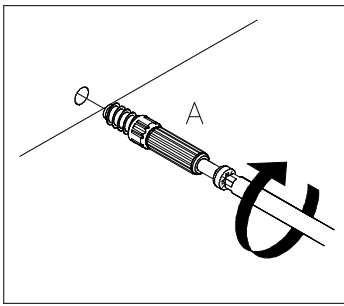
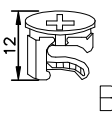
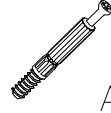

(1)
(7)
 MAX
 5kg

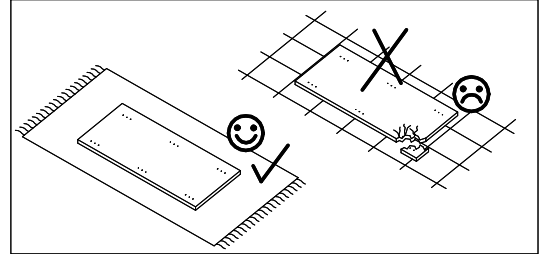


 A	 B	 D	 D5	 C1	 W9	 G2	 T3	 W4
18	34	20	8	33	4	8	4	4
 Y6	 J	 L	 R	 X1	 L	 R	 A2	 T1
2	6	1	1	2	1	KPL	8	8

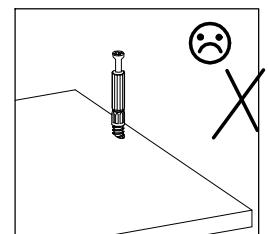
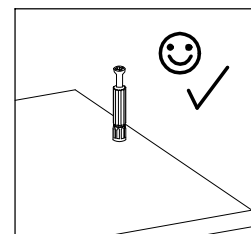
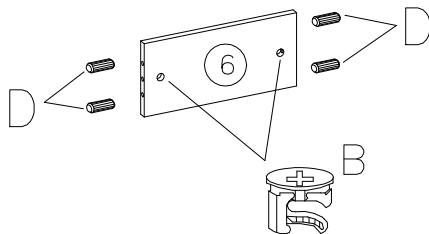
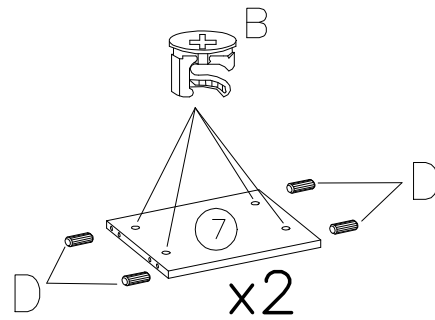
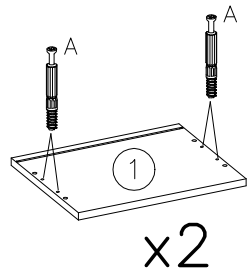


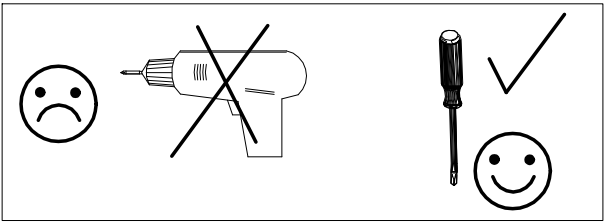


	8.0x30	
B	D	A
10	12	8

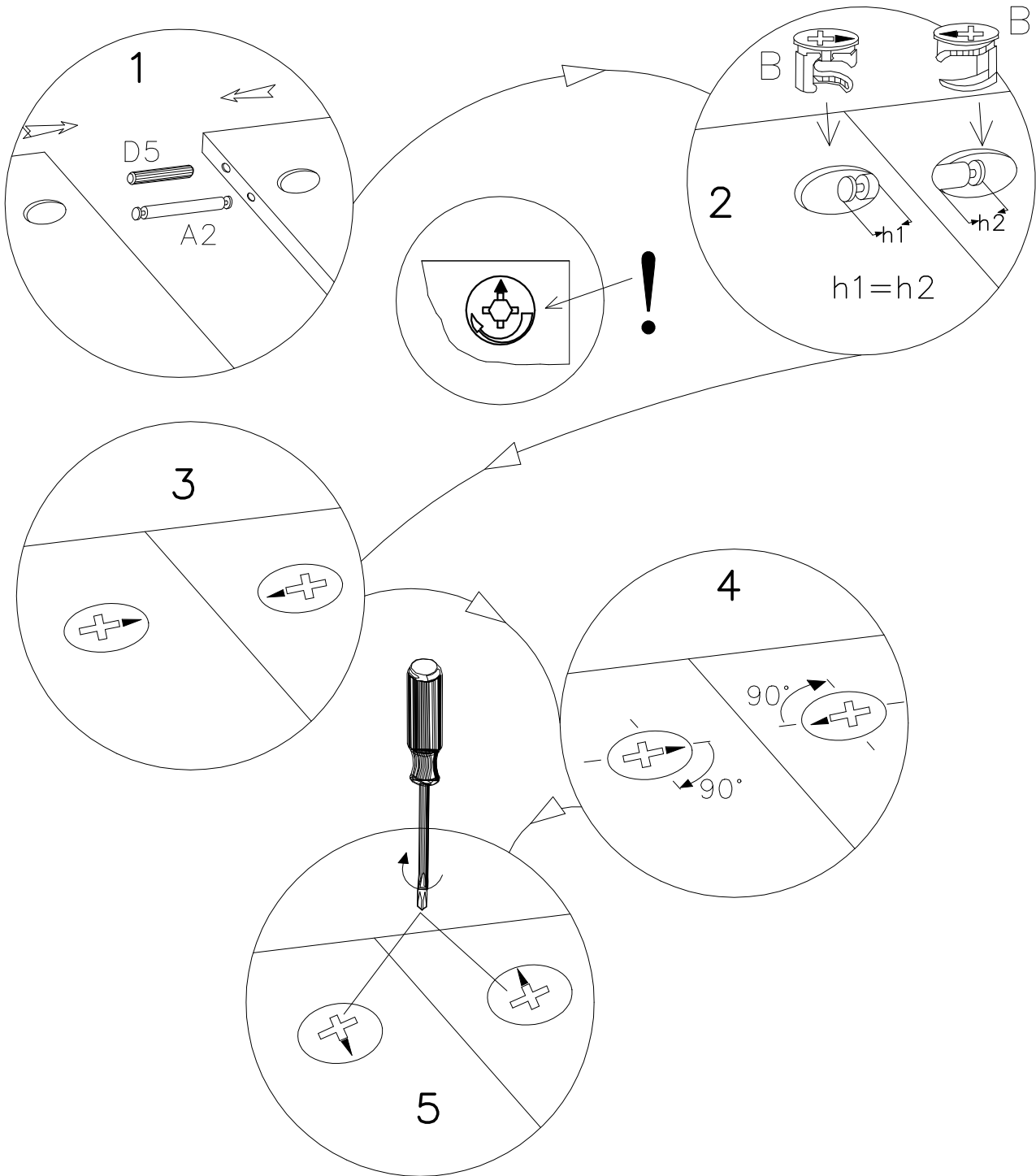
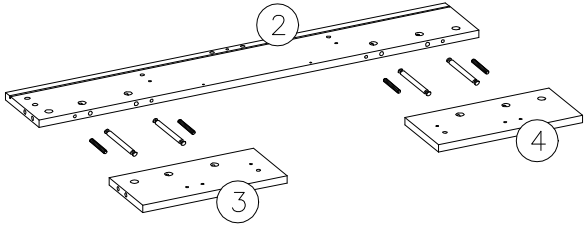


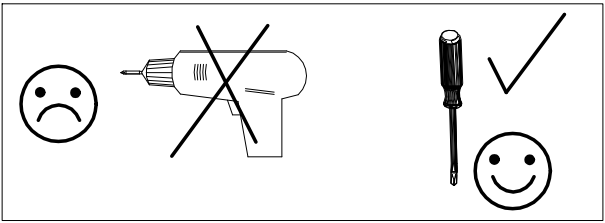
1



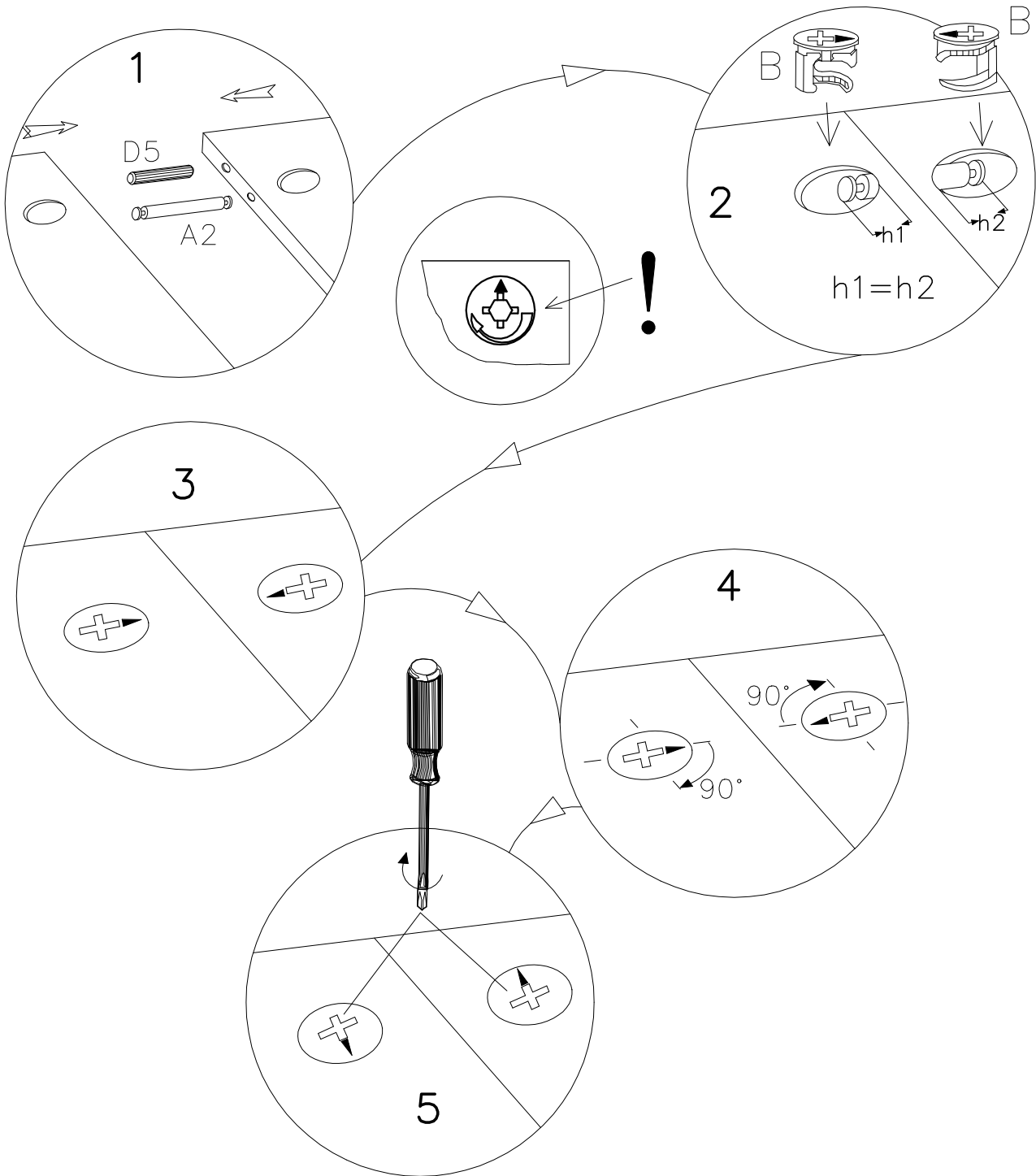
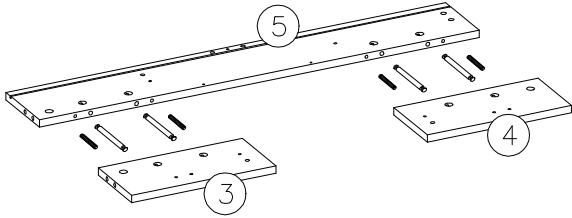


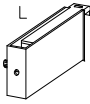
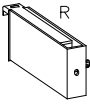


6.0x60 D5	A2	 B
4	4	8

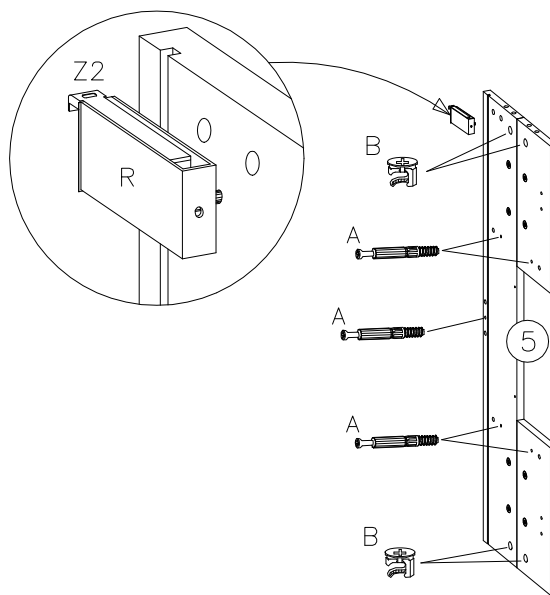
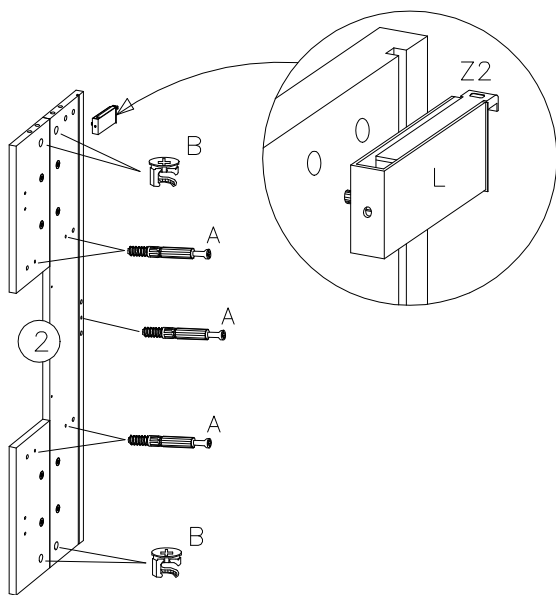


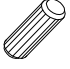


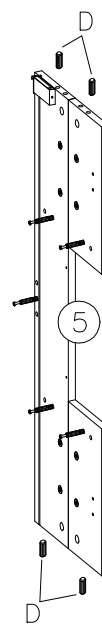
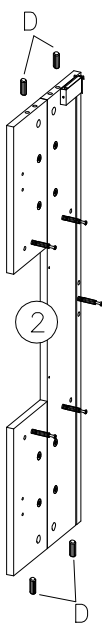
6.0x60 D5	A2	 B
4	4	8





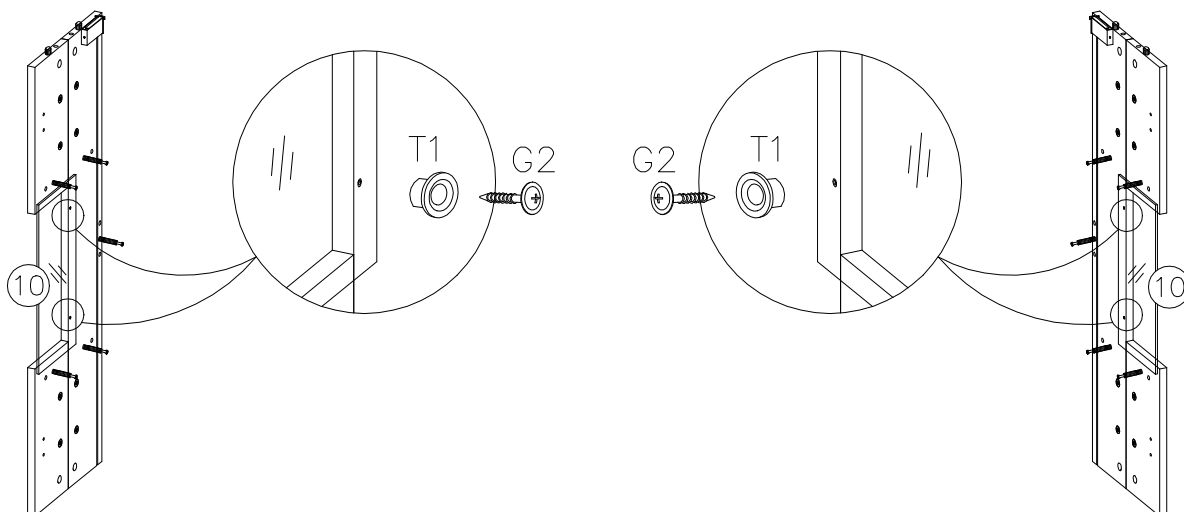
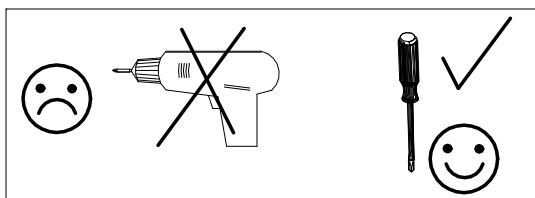
 L	 R	 A	 B 12
1	10	8	

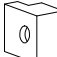



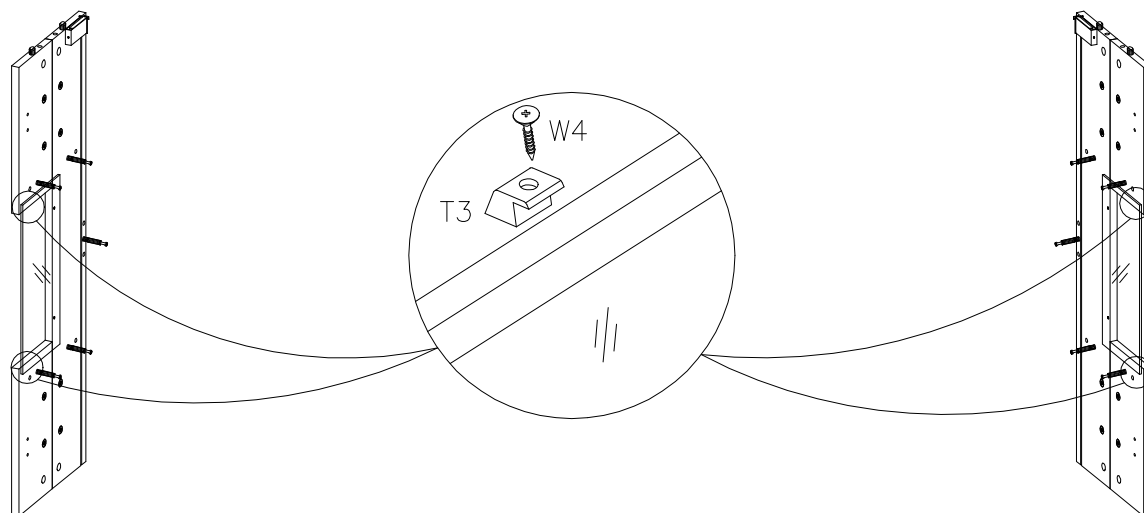
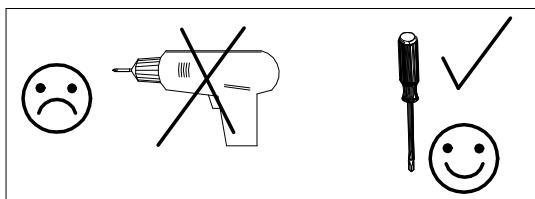
8.0x30
 D
8

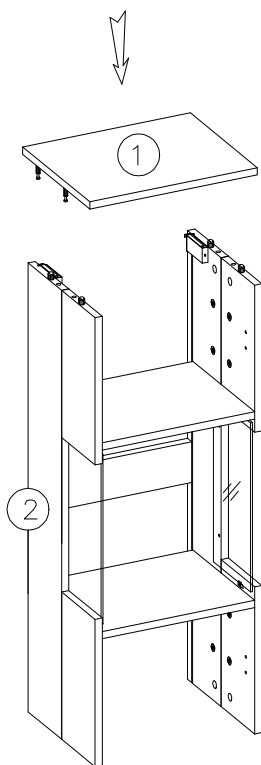
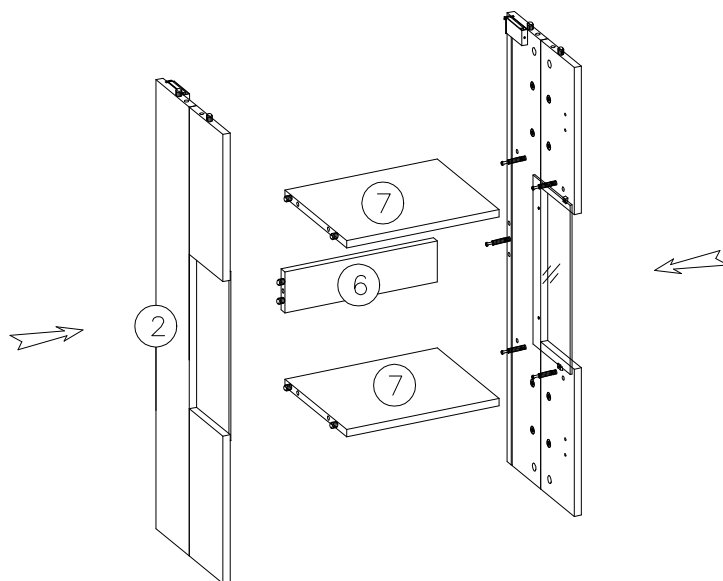


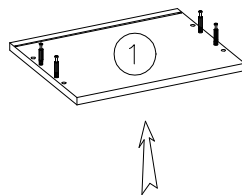
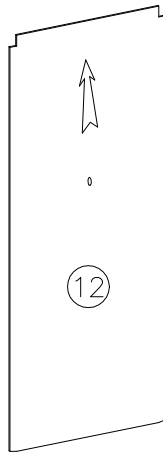
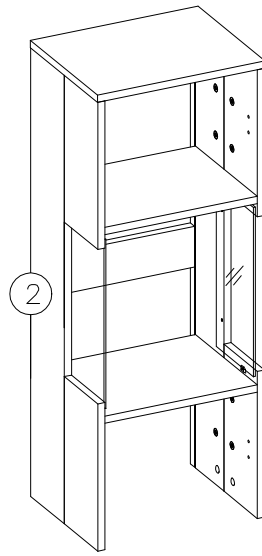
	3.5x16 
T1 4	G2 4

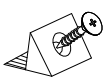
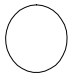


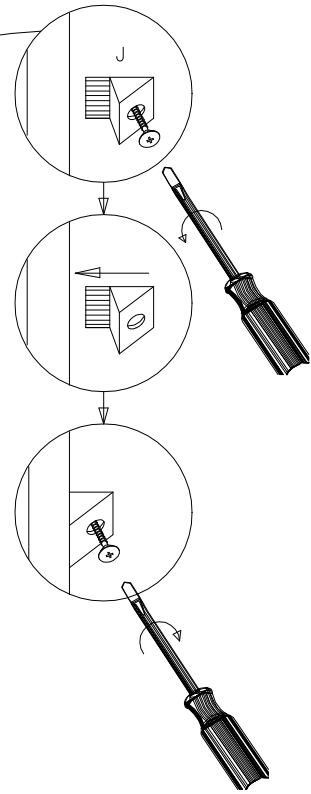
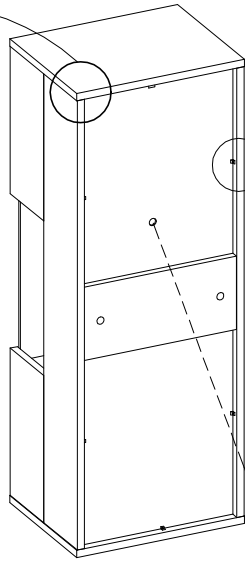
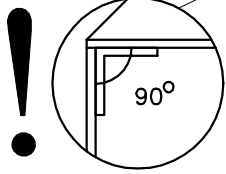
	3.0x15 
T3 4	W4 4

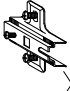






 J	 C1
6	1

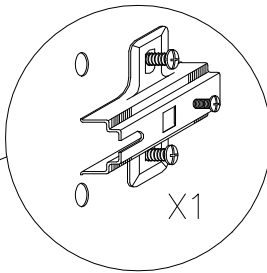
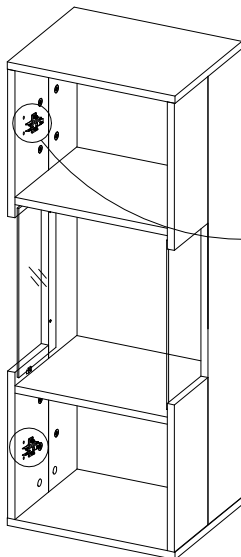


 X1
2

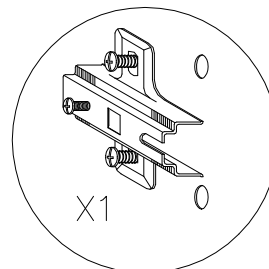
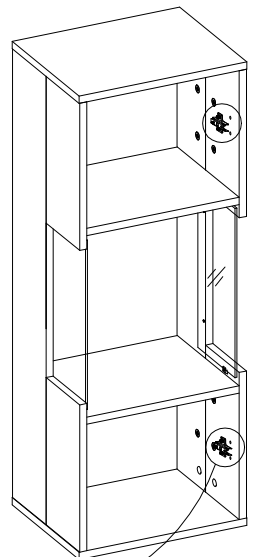
L/R

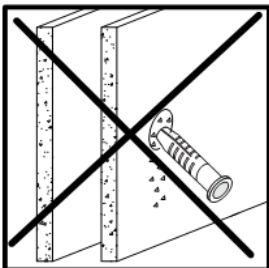
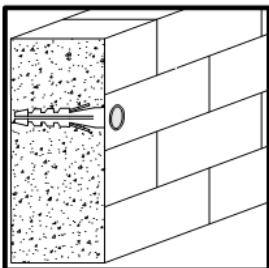
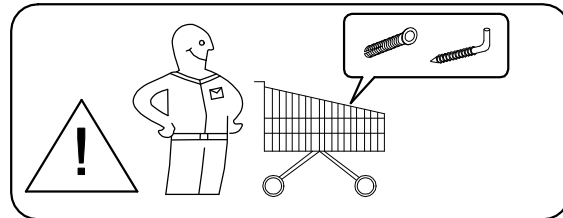
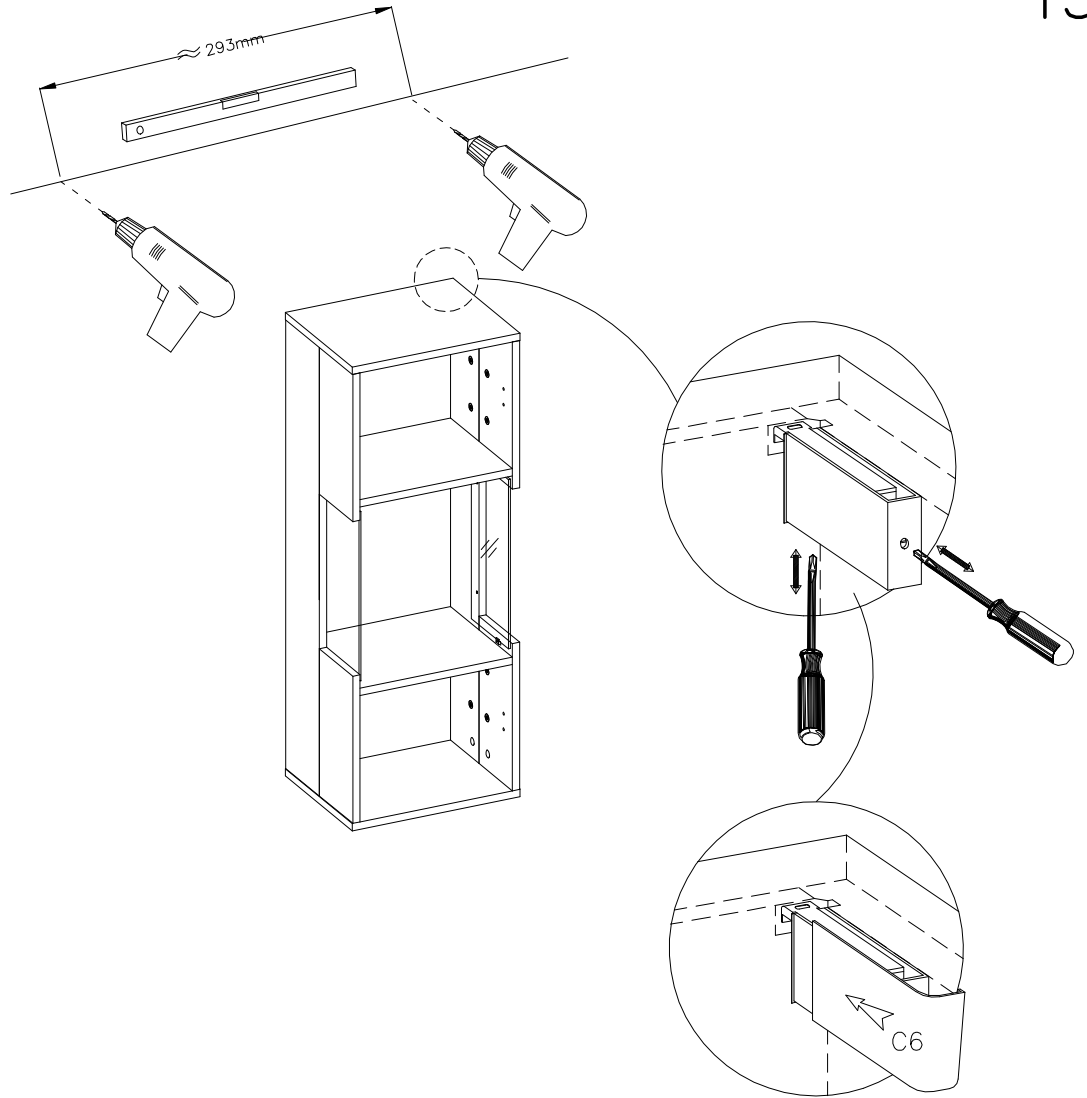
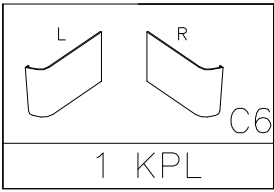


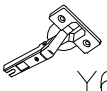



L

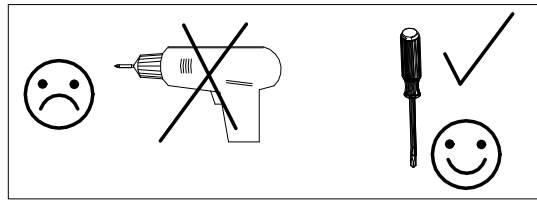


R

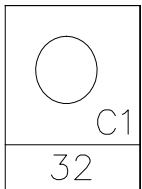
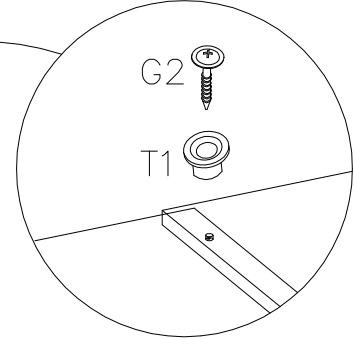
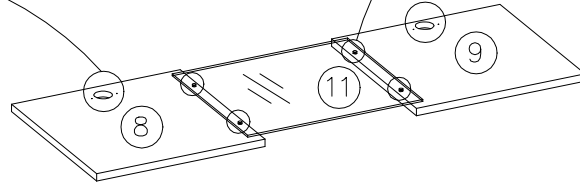
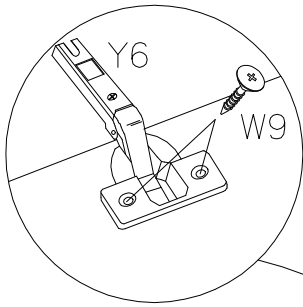




KR-0  Y6 2	4.0x13  W9 4	 T1 4	3.5x16  G2 4
--	---	---	---



14



15

