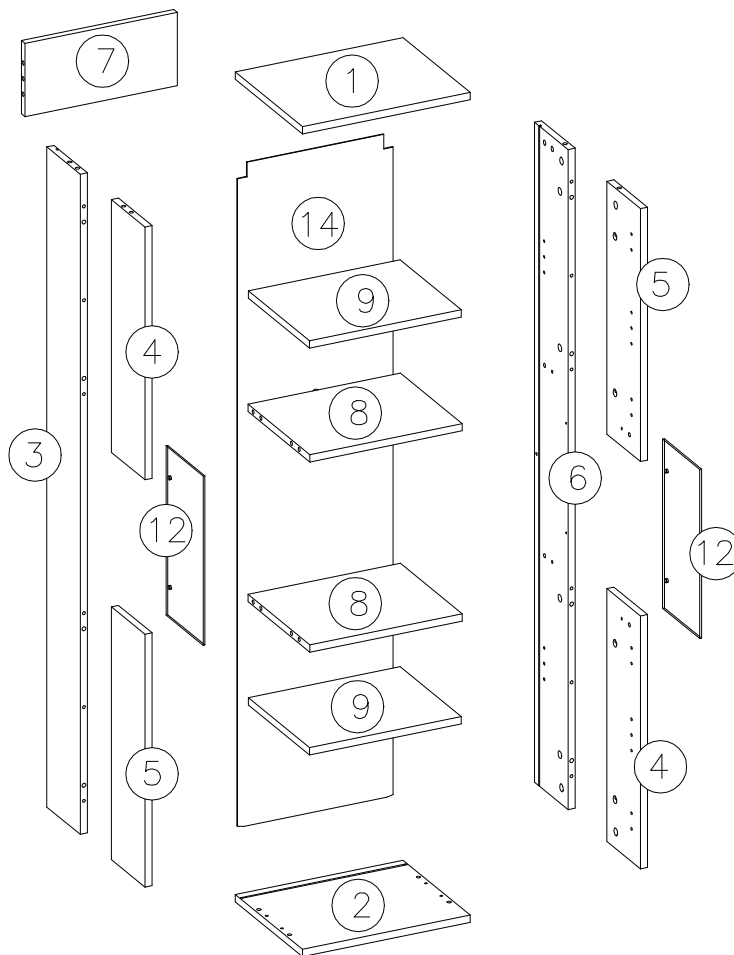

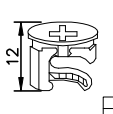
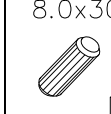
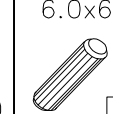
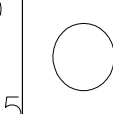
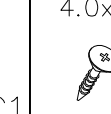
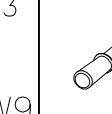
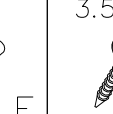
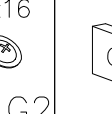
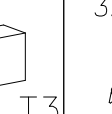
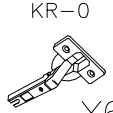
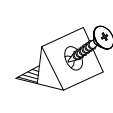
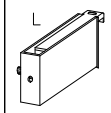
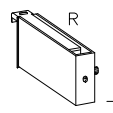
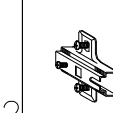
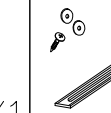
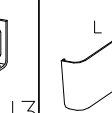
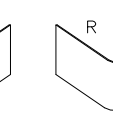
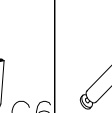
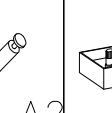
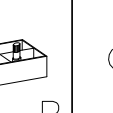
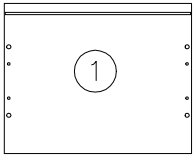


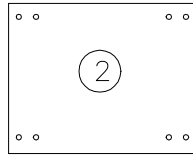

(8)
(9)  
 MAX  
 5kg



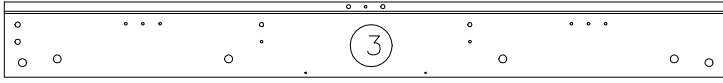
		 8.0x30	 6.0x60		 4.0x13		 3.5x16		 3.0x15	
18	34	20	12	33	8	8	8	4	4	
 KR-0										
4	10	1	1	4	2	1	1 KPL	8	4	8



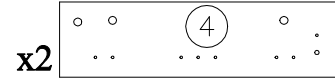
350x280x15



350x280x15

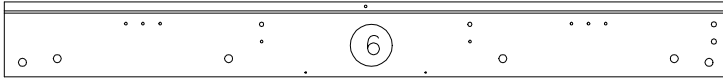


1350x140x15



x2

517x140x15



1350x140x15

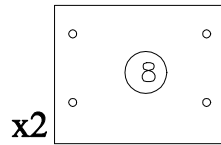


x2

517x140x15

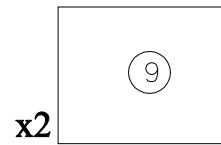


318x150x15



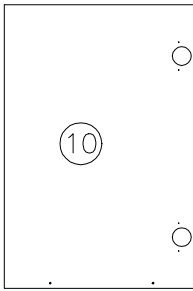
x2

318x258x15

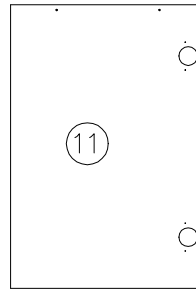


x2

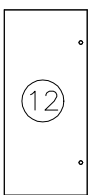
317x255x15



530x355x15

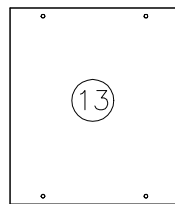


530x355x15



x2

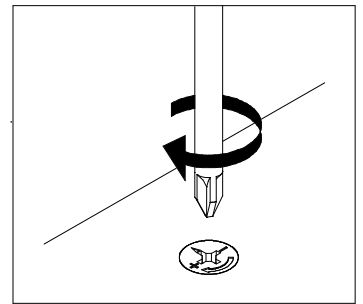
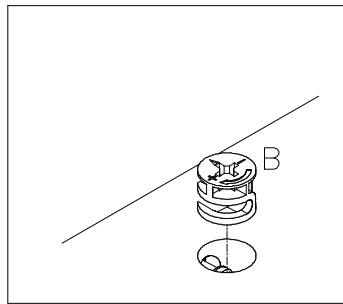
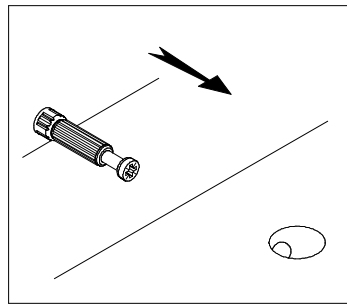
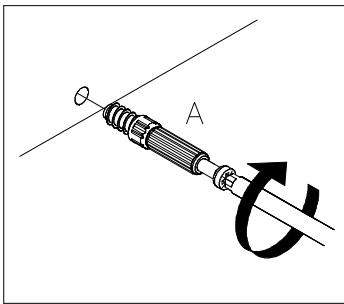
346x155x4



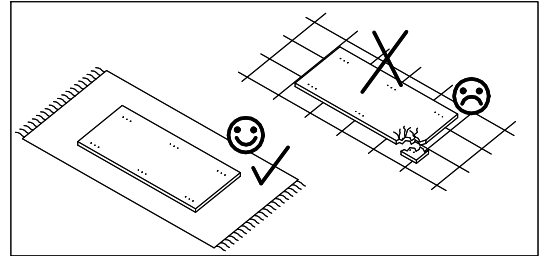
366x315x4



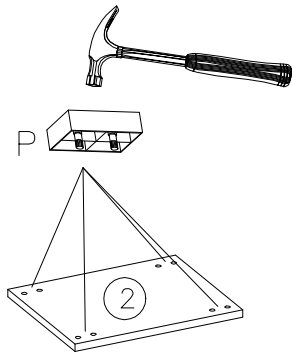
325x1357x3



 P	 B	8.0x30  D	 A
4	10	12	8



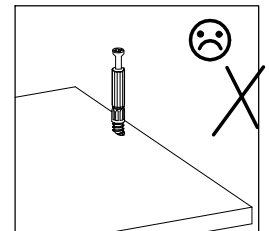
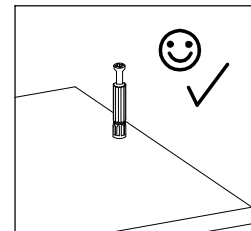
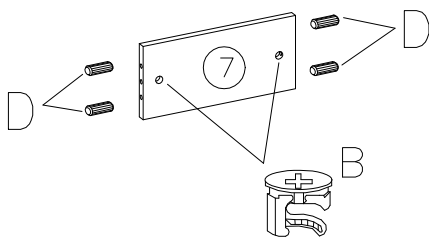
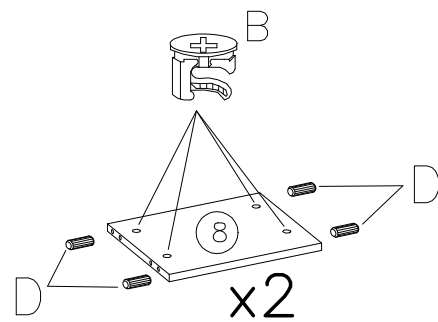
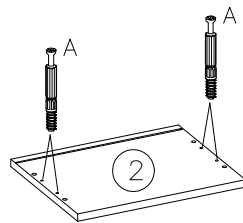
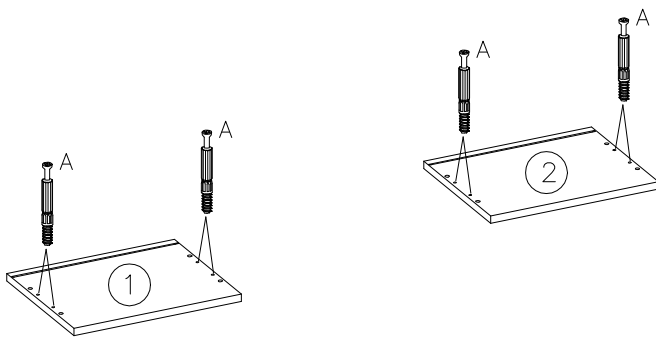
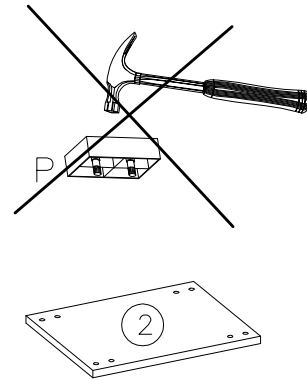
1

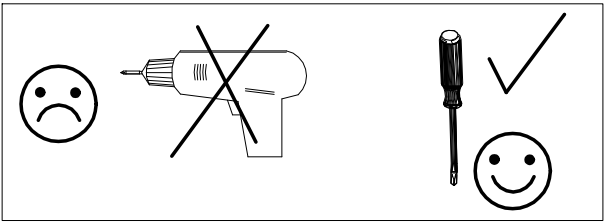


**A**

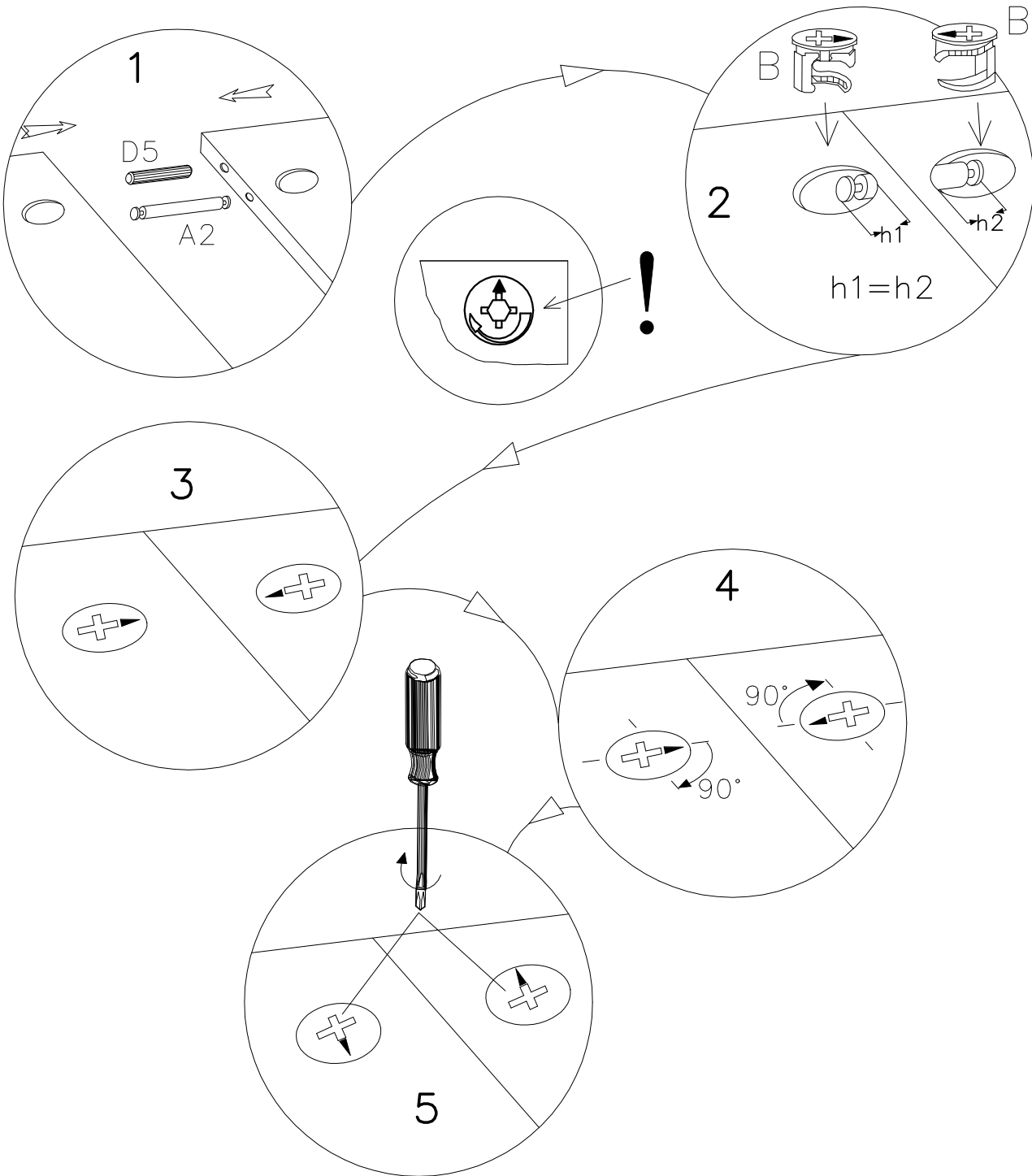
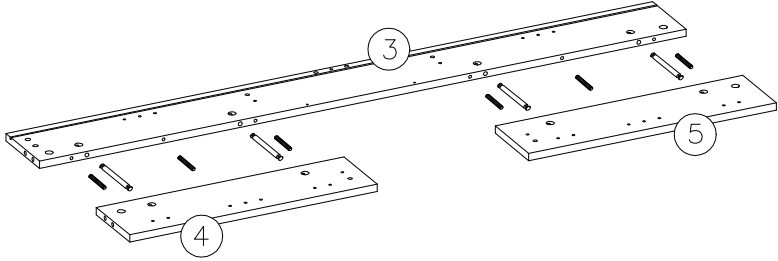


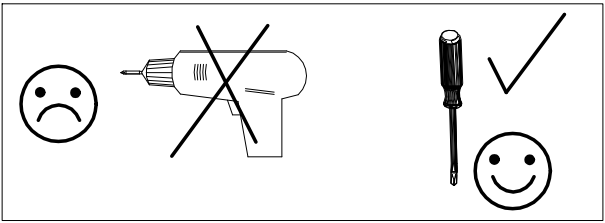
**B**



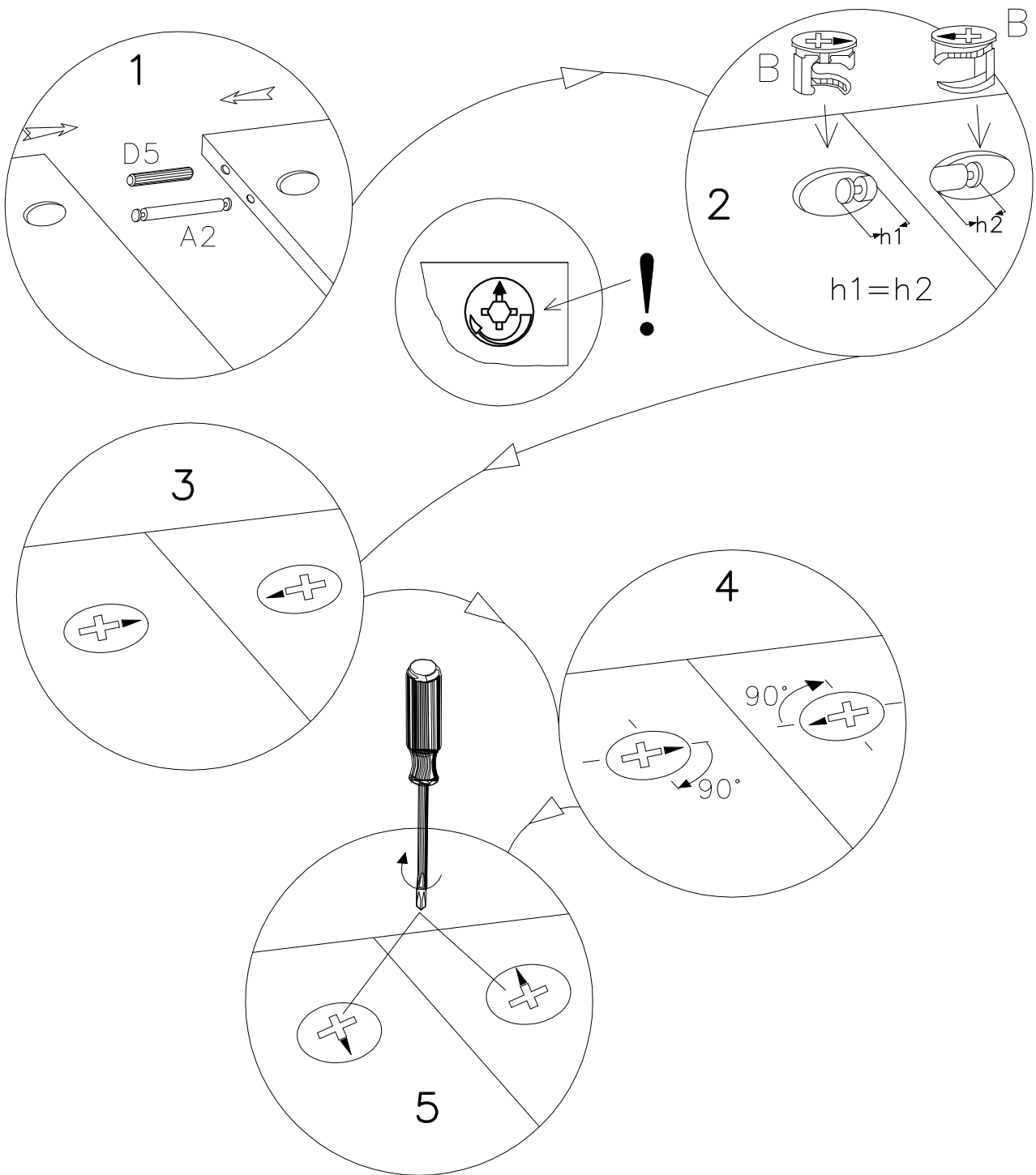
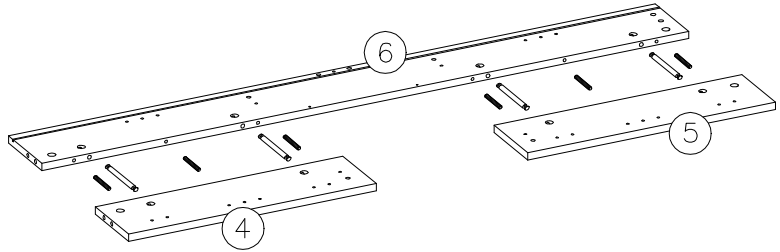


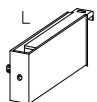
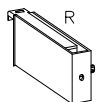
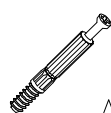
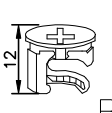
6.0x60 D5	A2	12 B
6	4	8

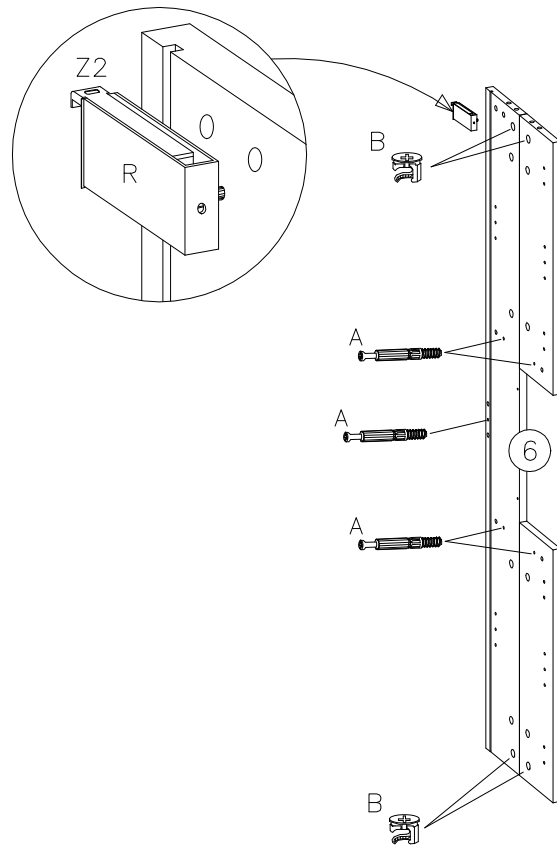
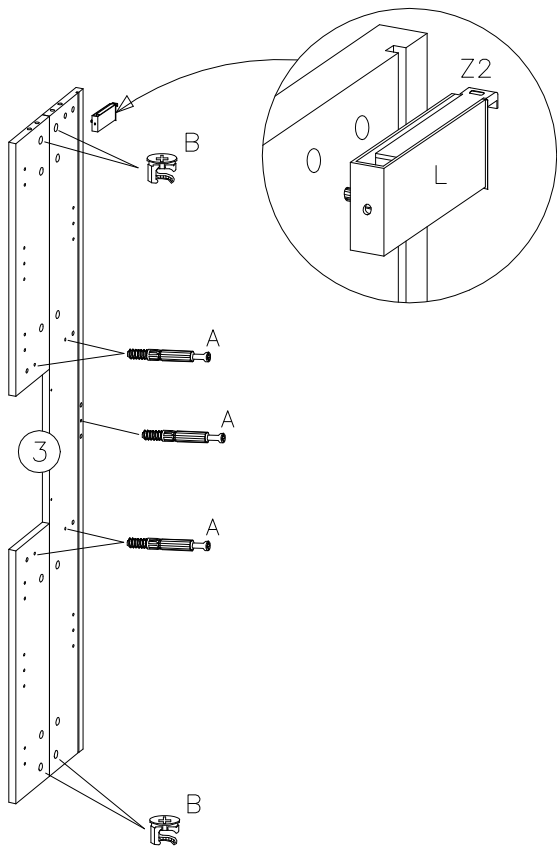


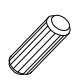


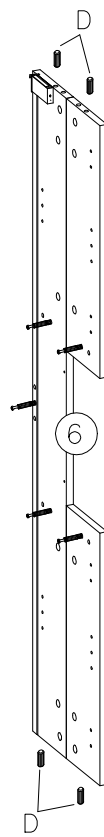
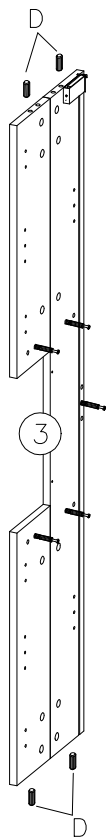
6.0x60 D5	A2	12 B
6	4	8





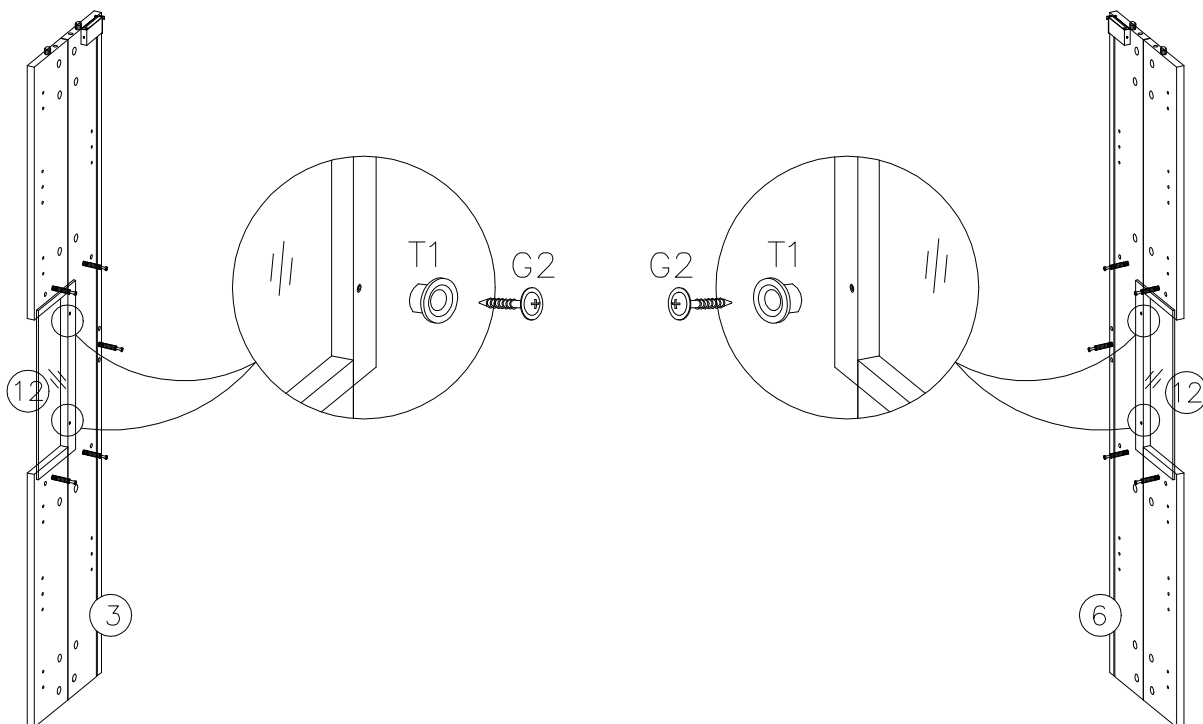
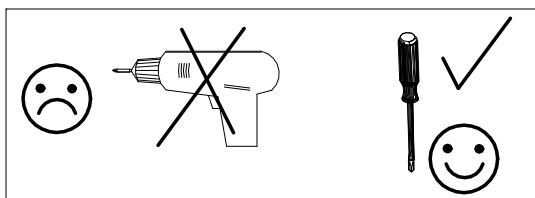
 L	 R	 A	 B
1	Z2	10	8

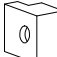



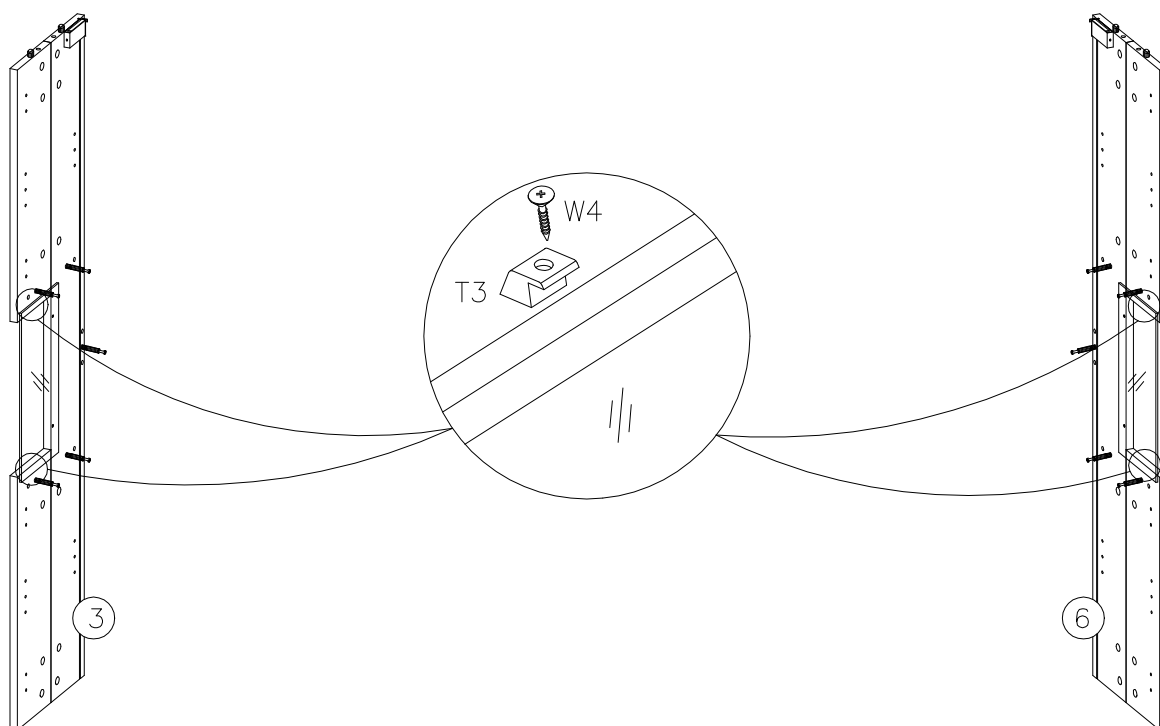
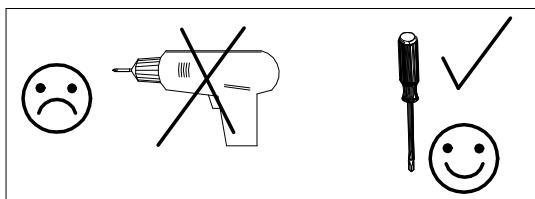
 8.0x30
D
8



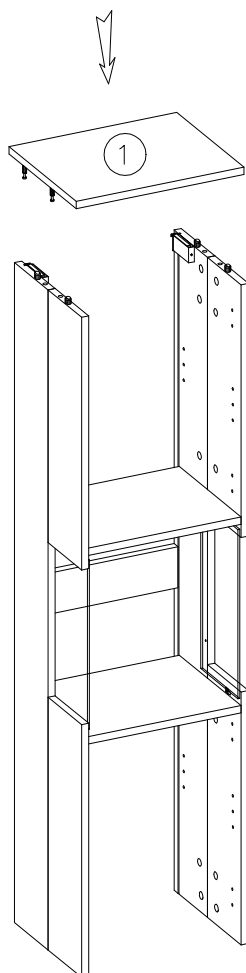
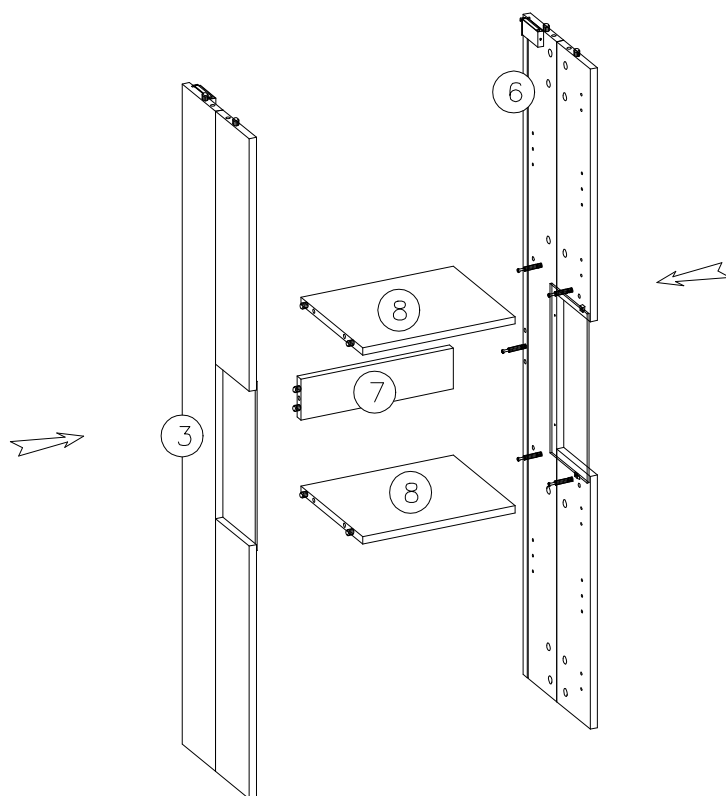
 T1 4	3.5x16  G2 4
---------------------------------------------------------------------------------------------	-------------------------------------------------------------------------------------------------------

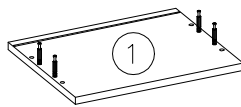
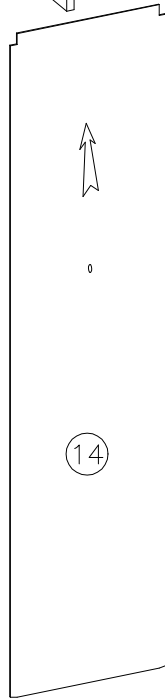
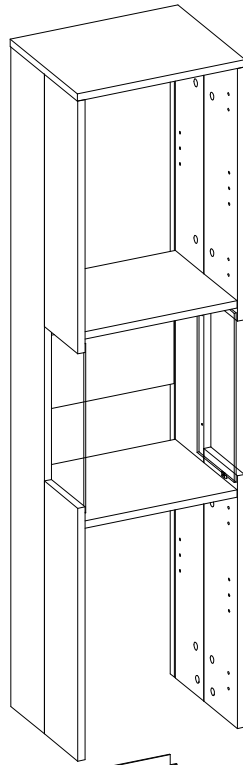


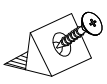
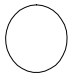
 T3 4	3.0x15  W4 4
------------------------------------------------------------------------------------------------	----------------------------------------------------------------------------------------------------------

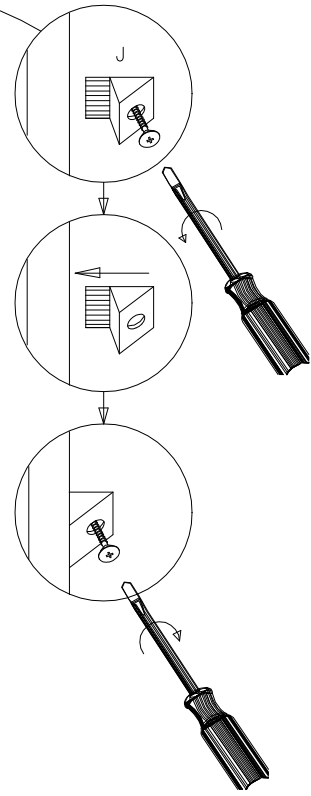
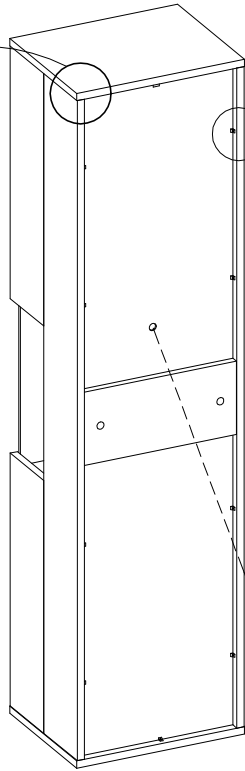
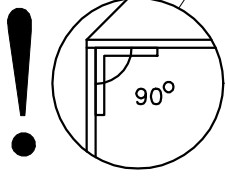


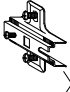






 J	 C1
10	1



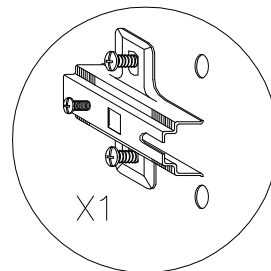
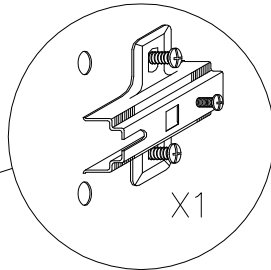
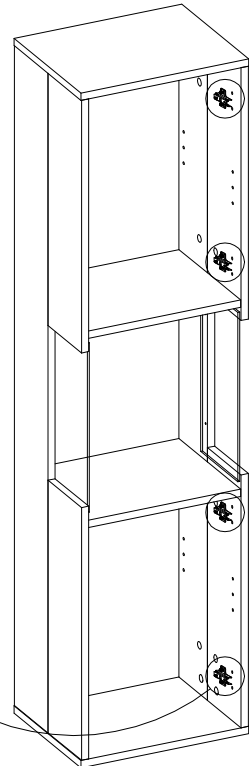
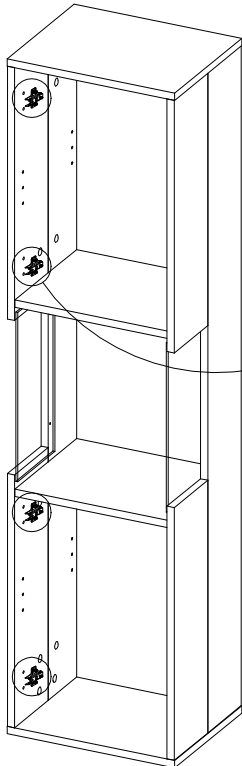
 X1
4

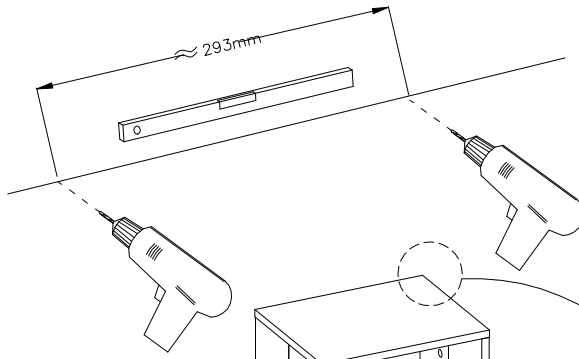
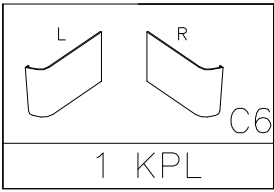
**L/R**



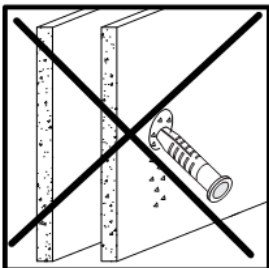
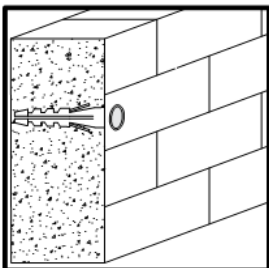
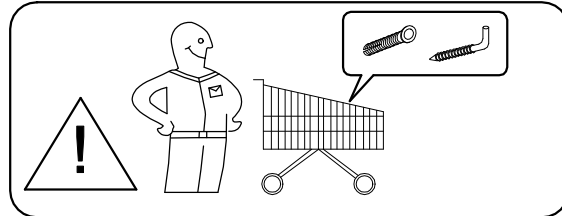
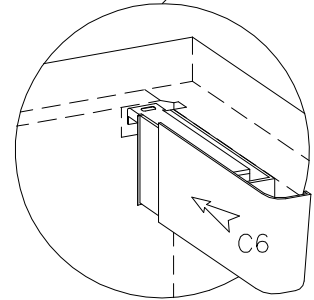
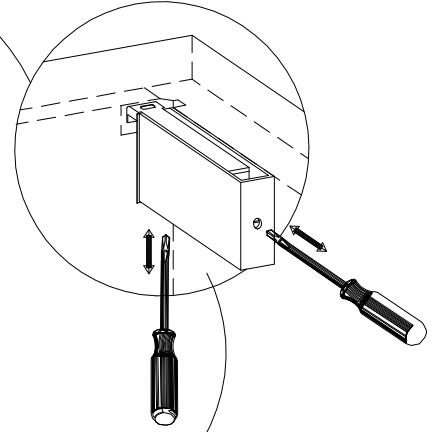
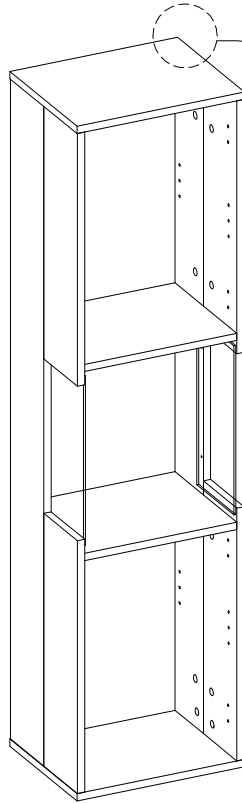
**L**


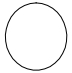
**R**

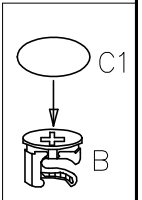
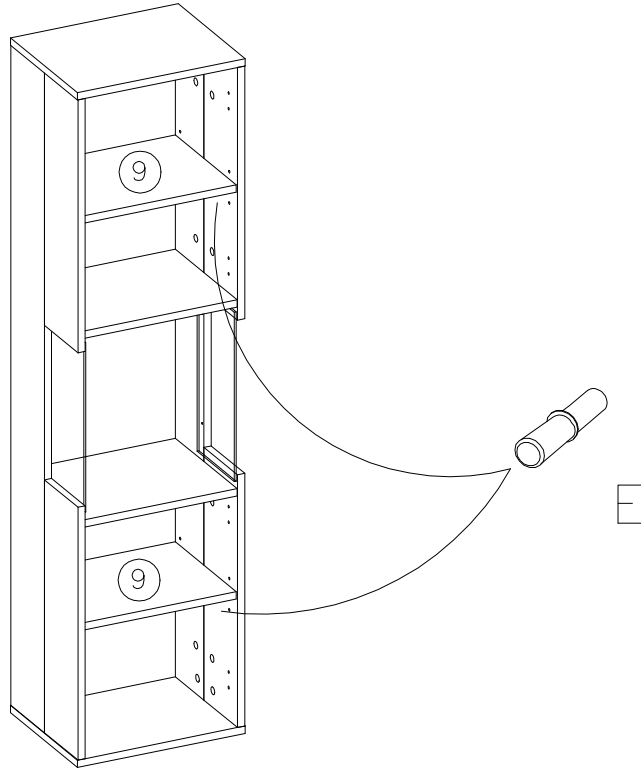


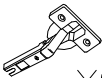





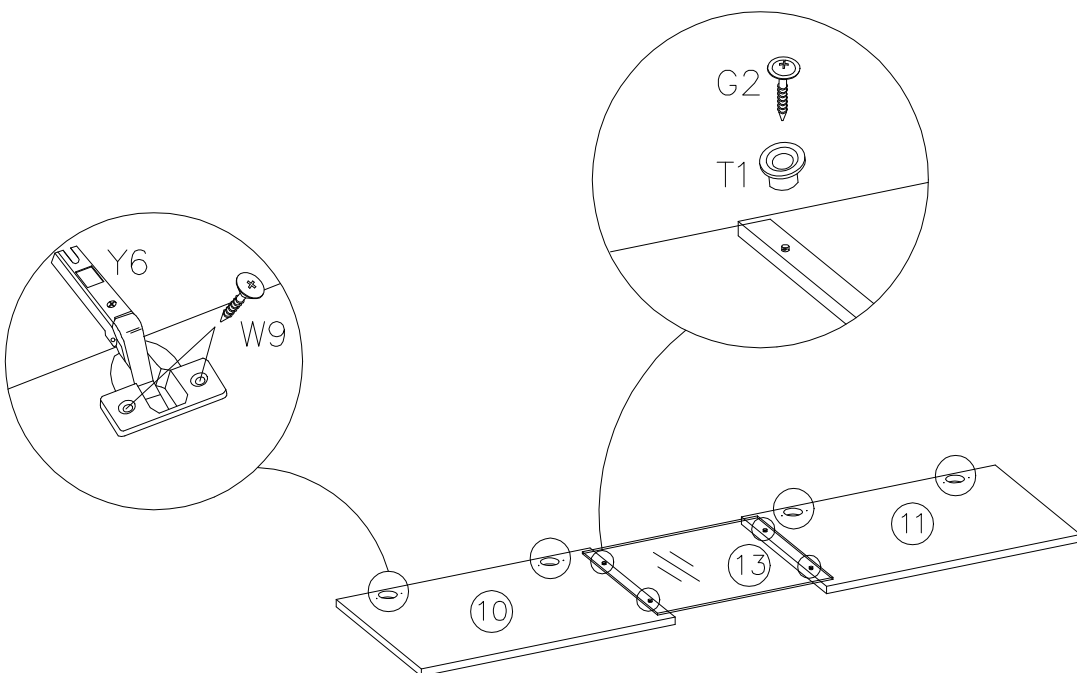
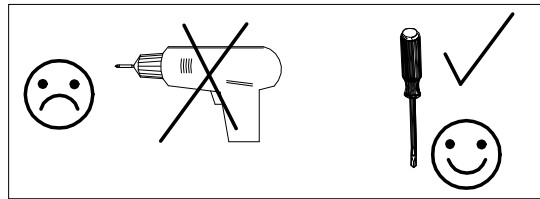
~~A~~ B

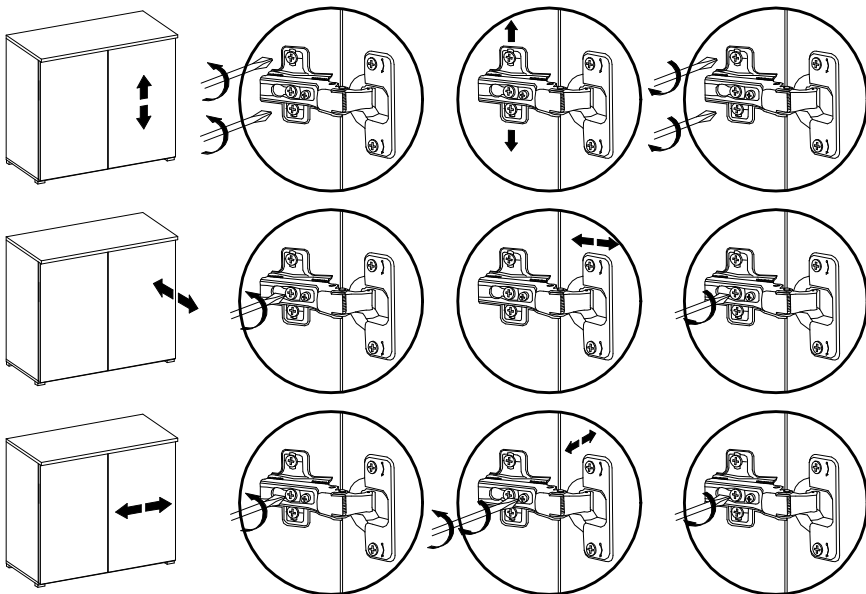
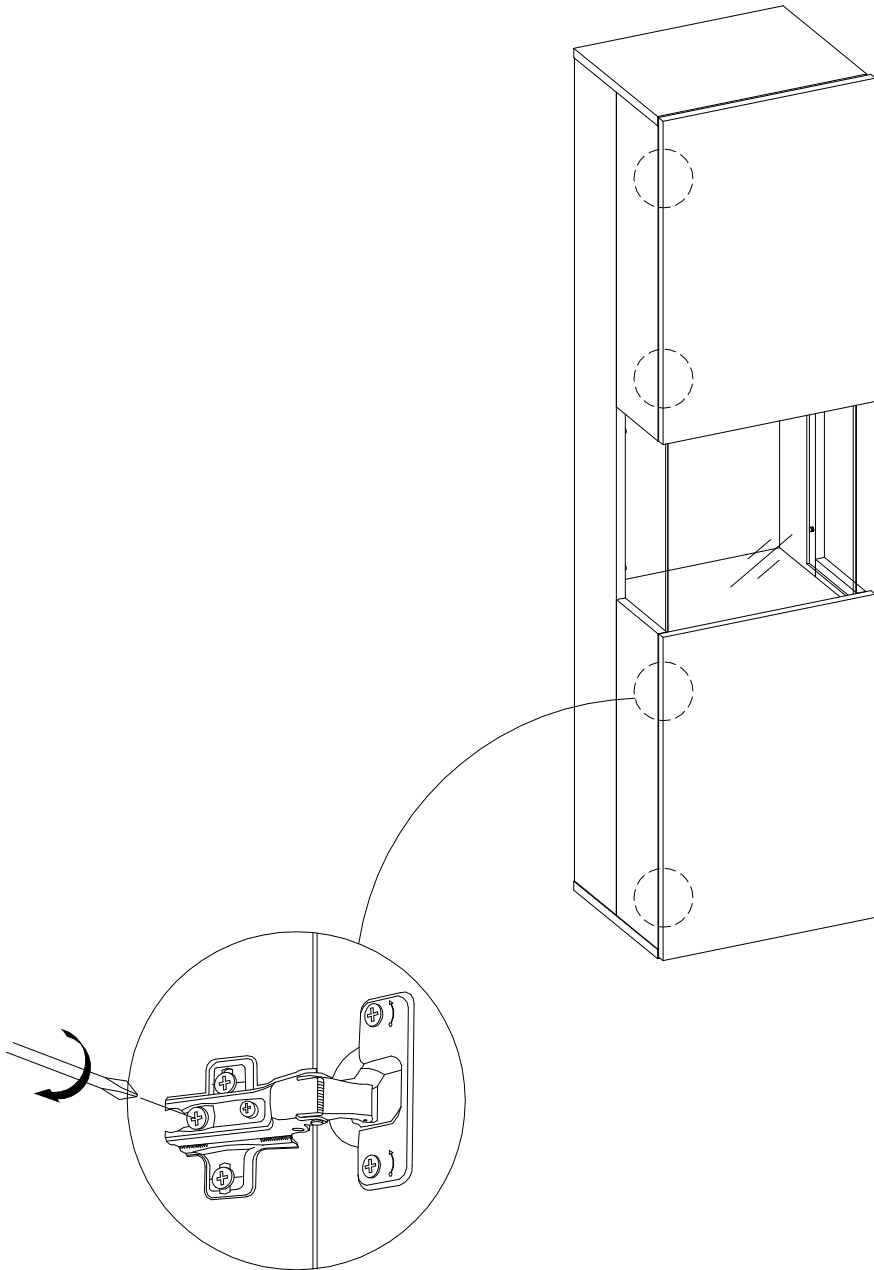


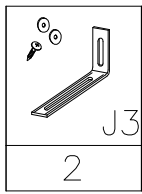
	
E	C1
8	32



KR-0	4.0x13		3.5x16
			
Y6	W9	T1	G2
4	8	4	4







**A**

~~**B**~~

