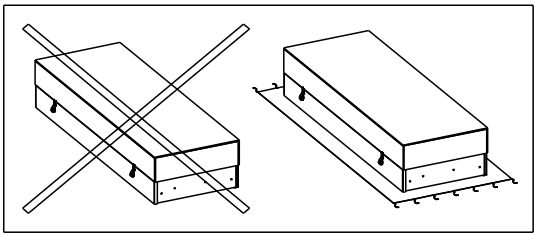
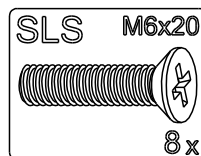
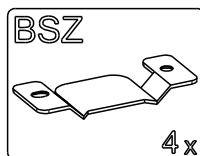
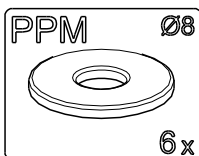
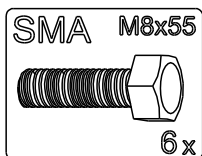
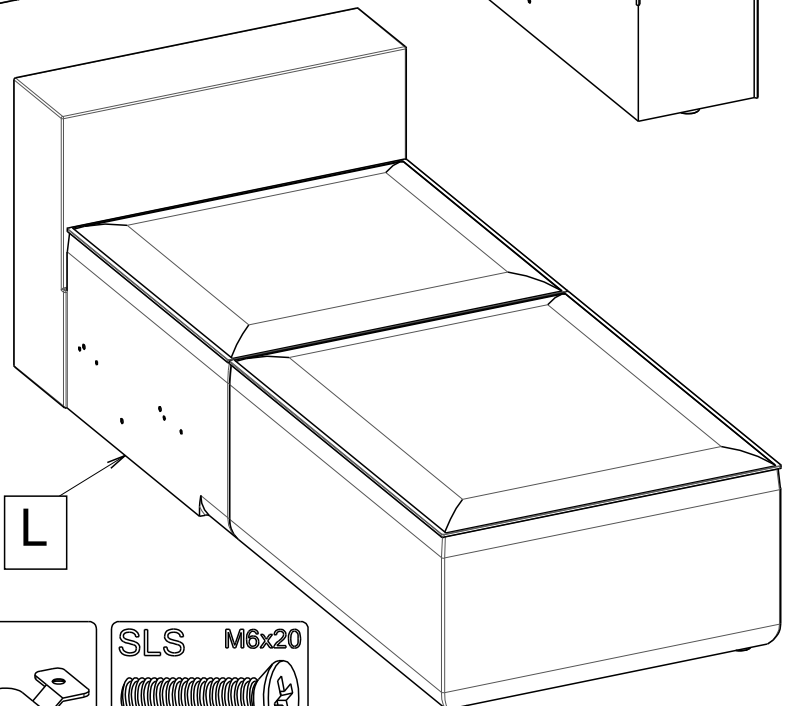
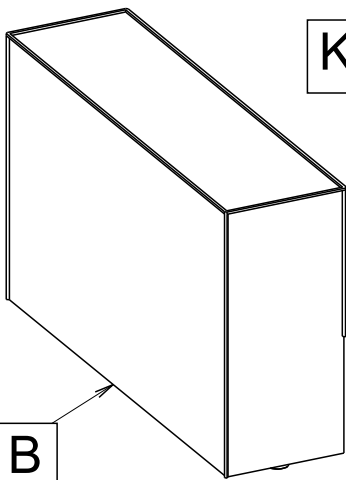
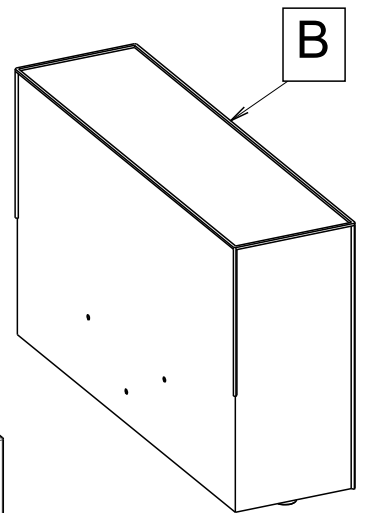
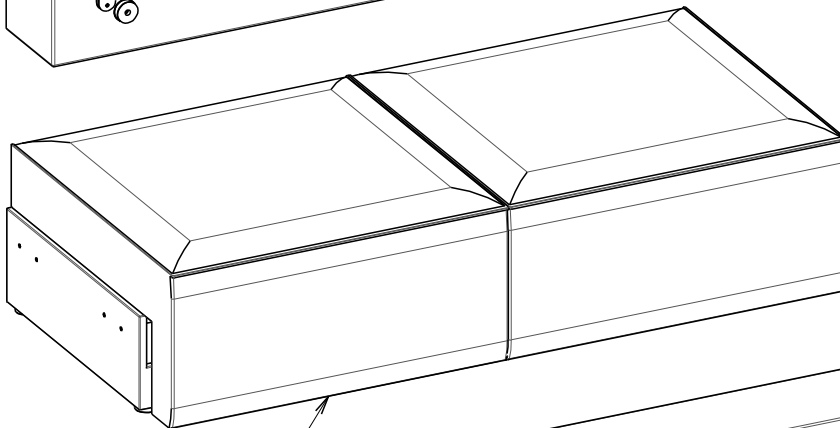
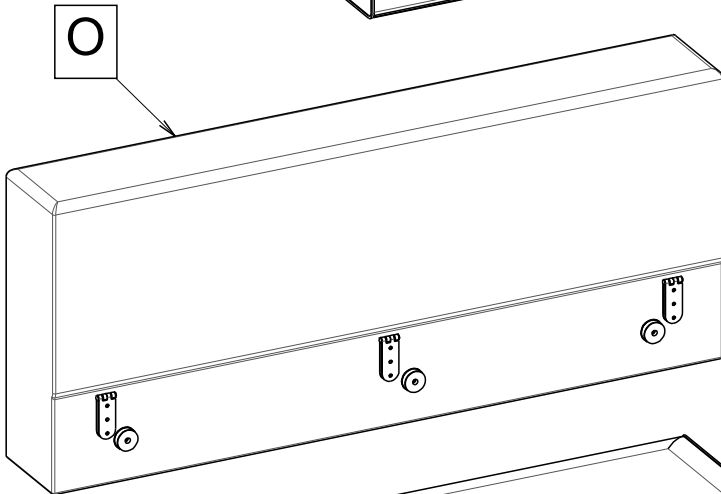
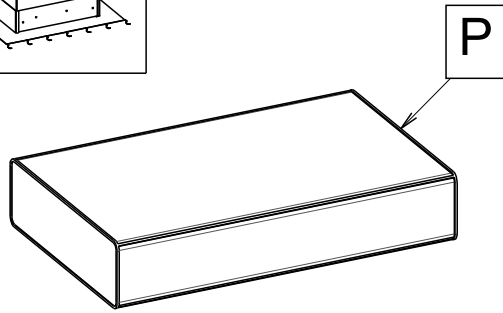


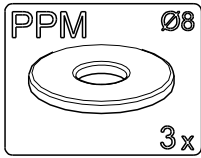
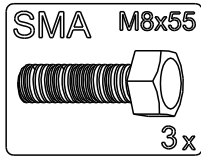
40min



L	1x
K	1x
O	1x
B	2x
P	3x

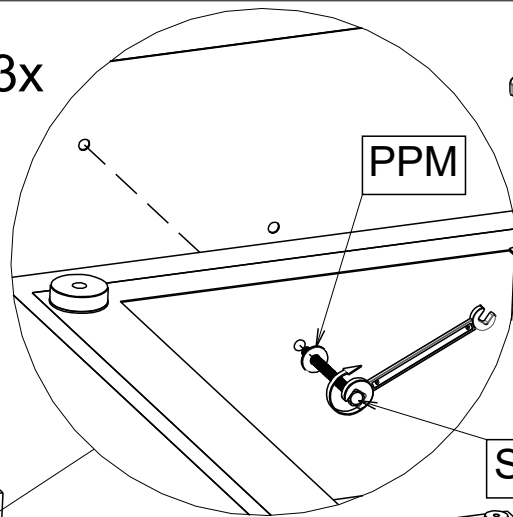
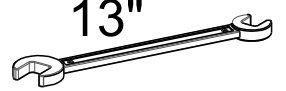


1



3x

13"

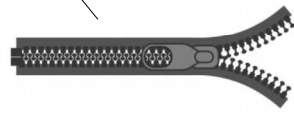


PPM

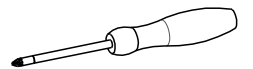
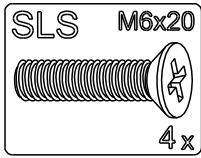
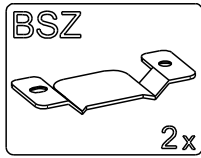
SMA

B

L



2

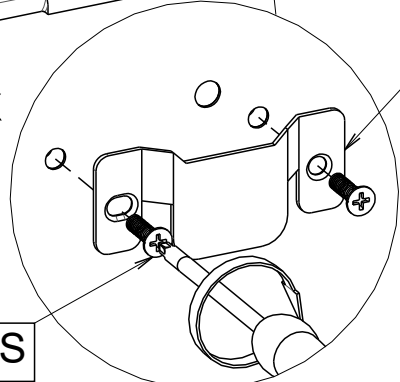


L

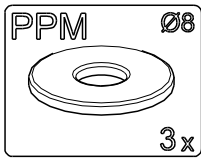
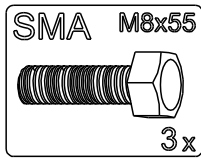
2x

BSZ

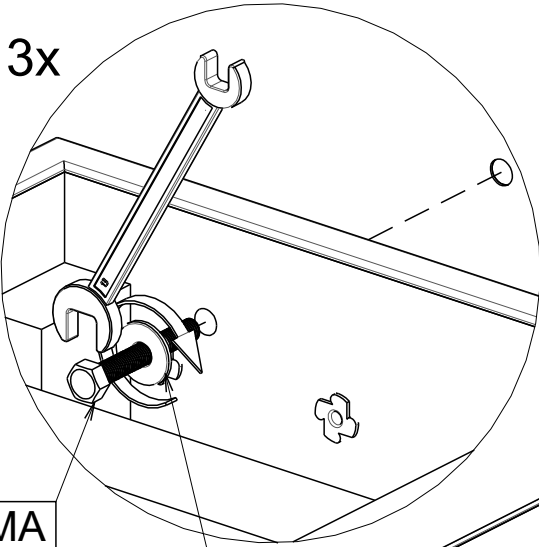
SLS



3

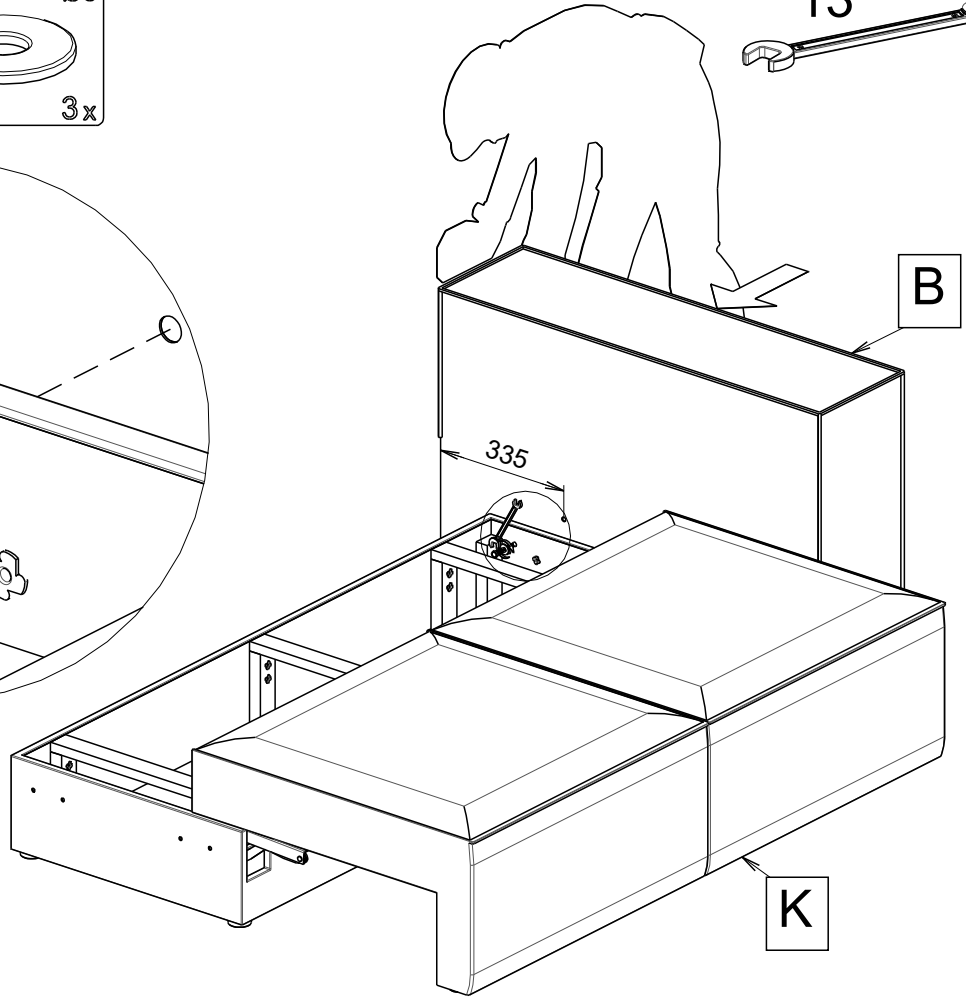


3x

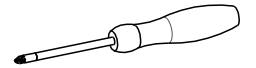
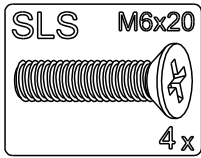
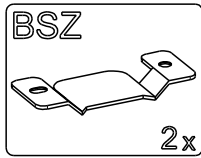


SMA

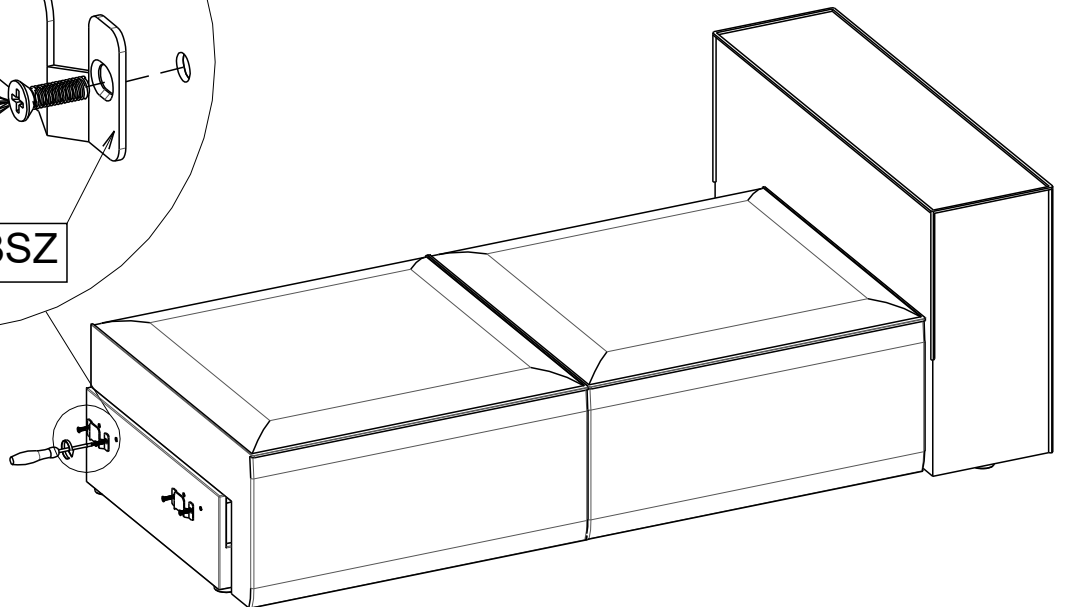
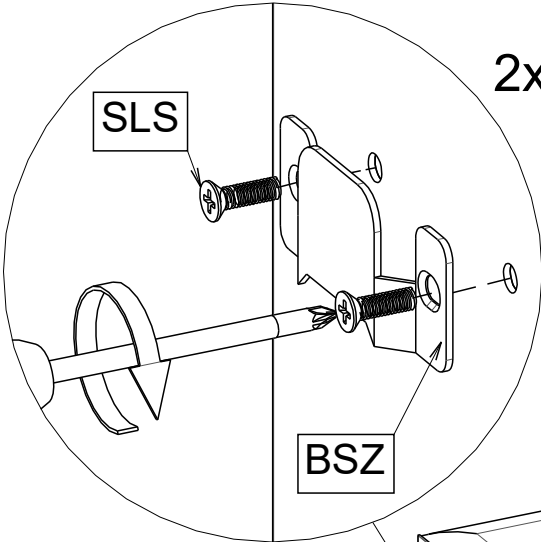
PPM



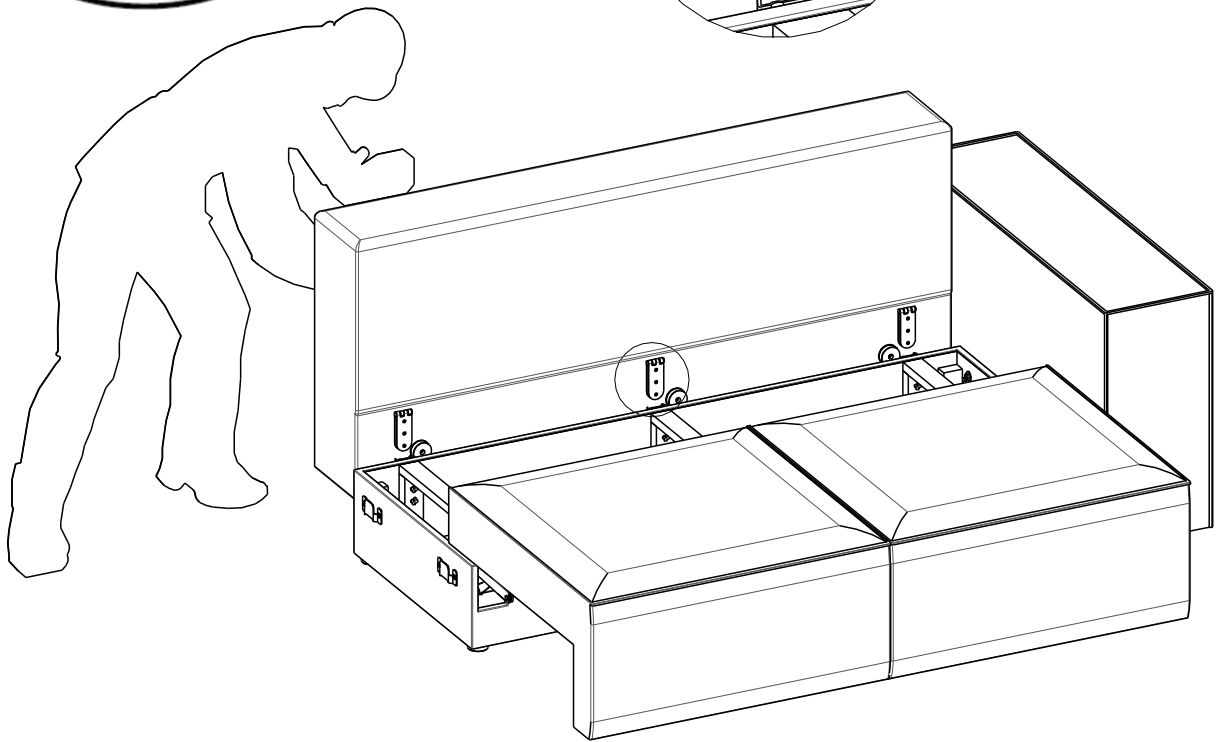
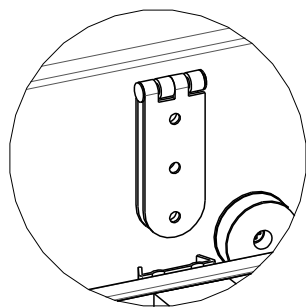
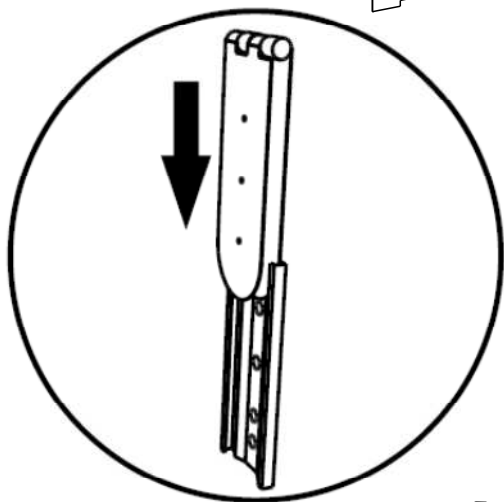
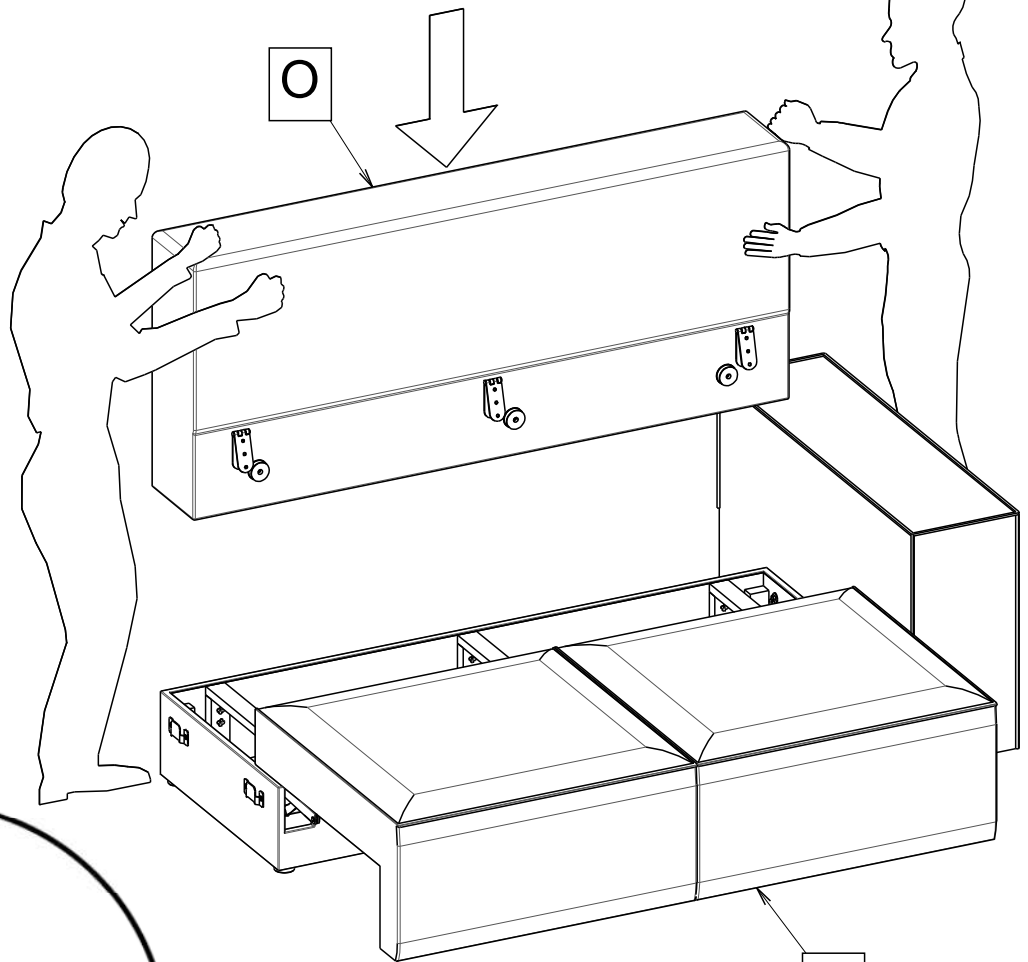
4



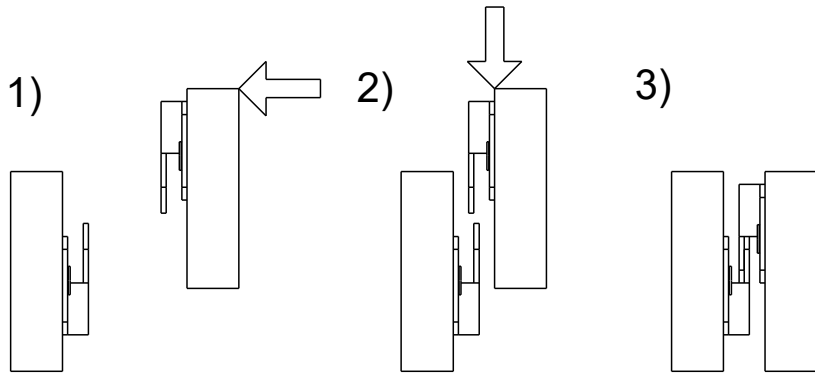
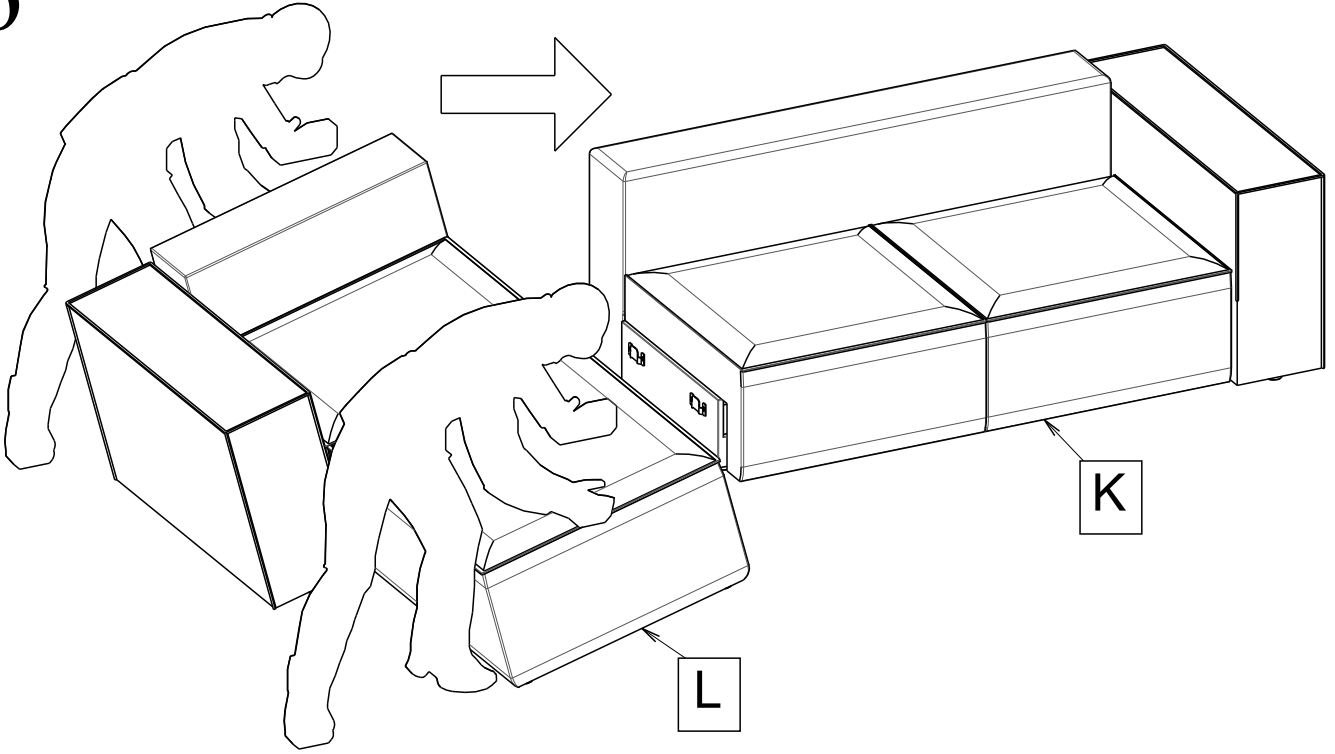
2x



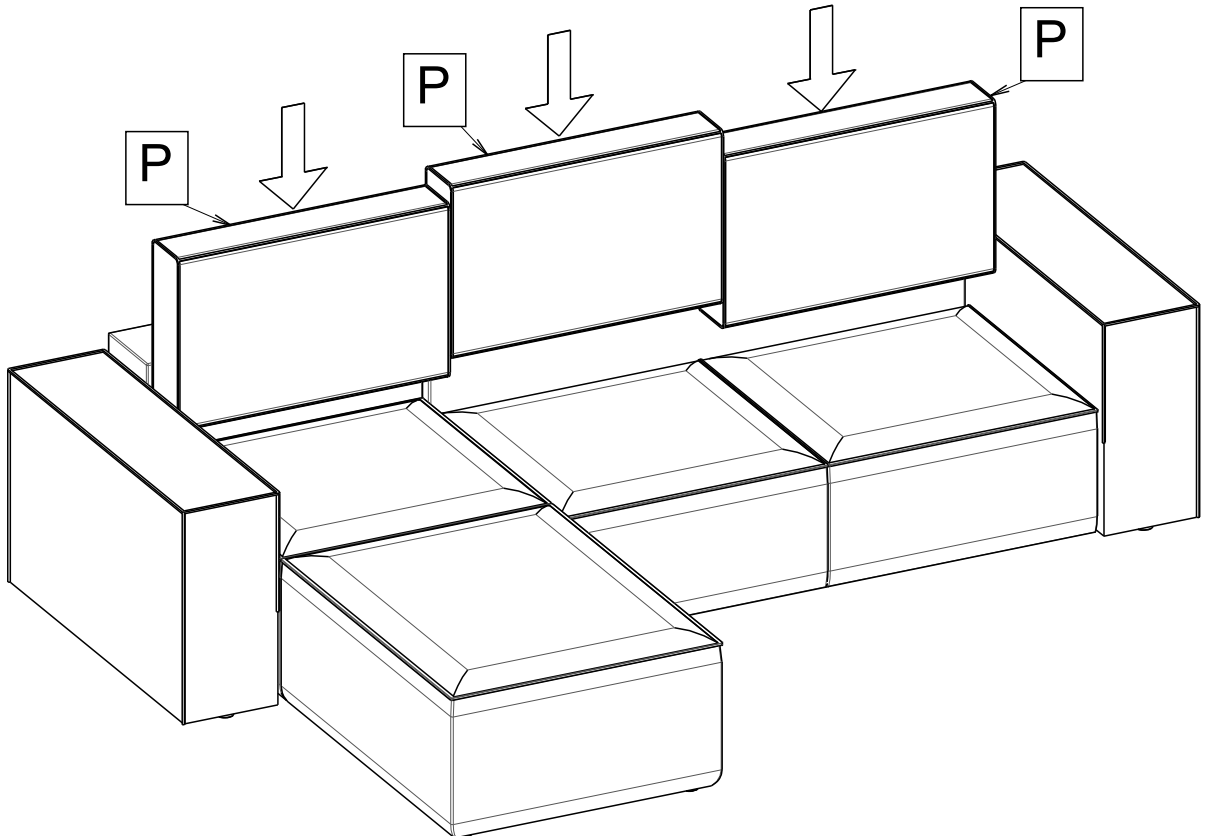
5



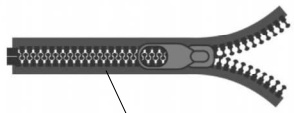
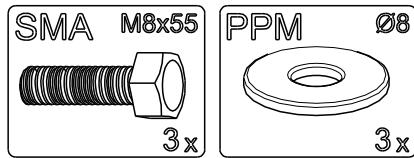
6



7

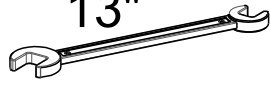


1

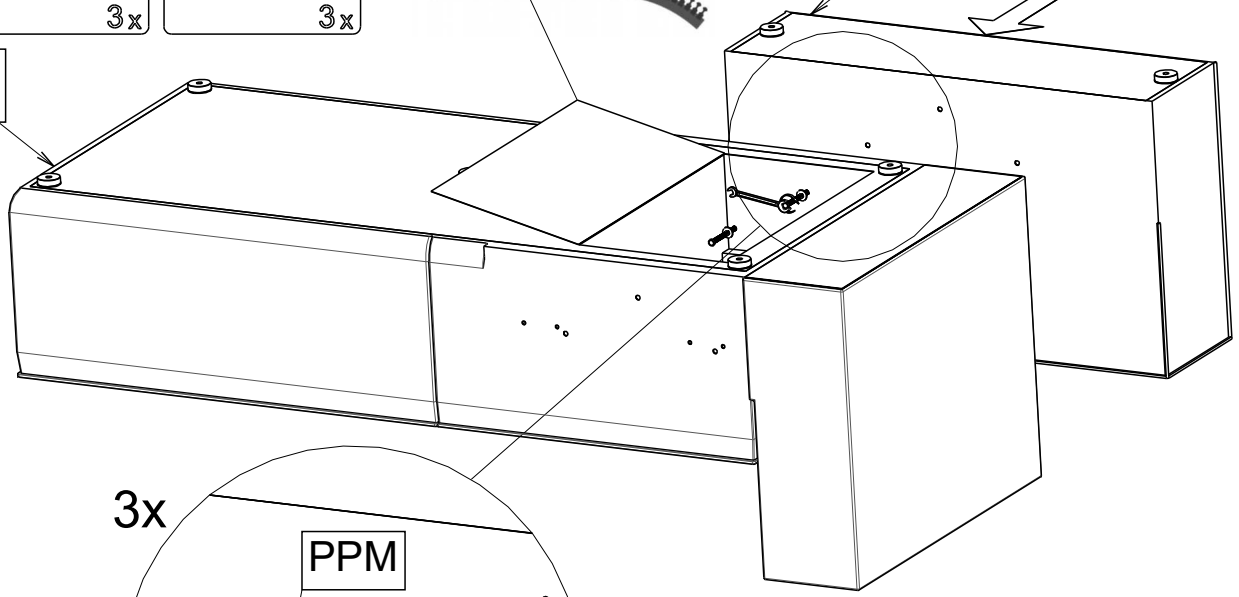


B

13"



L

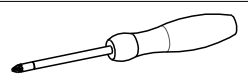
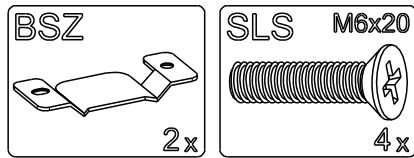


3x

PPM

SMA

2

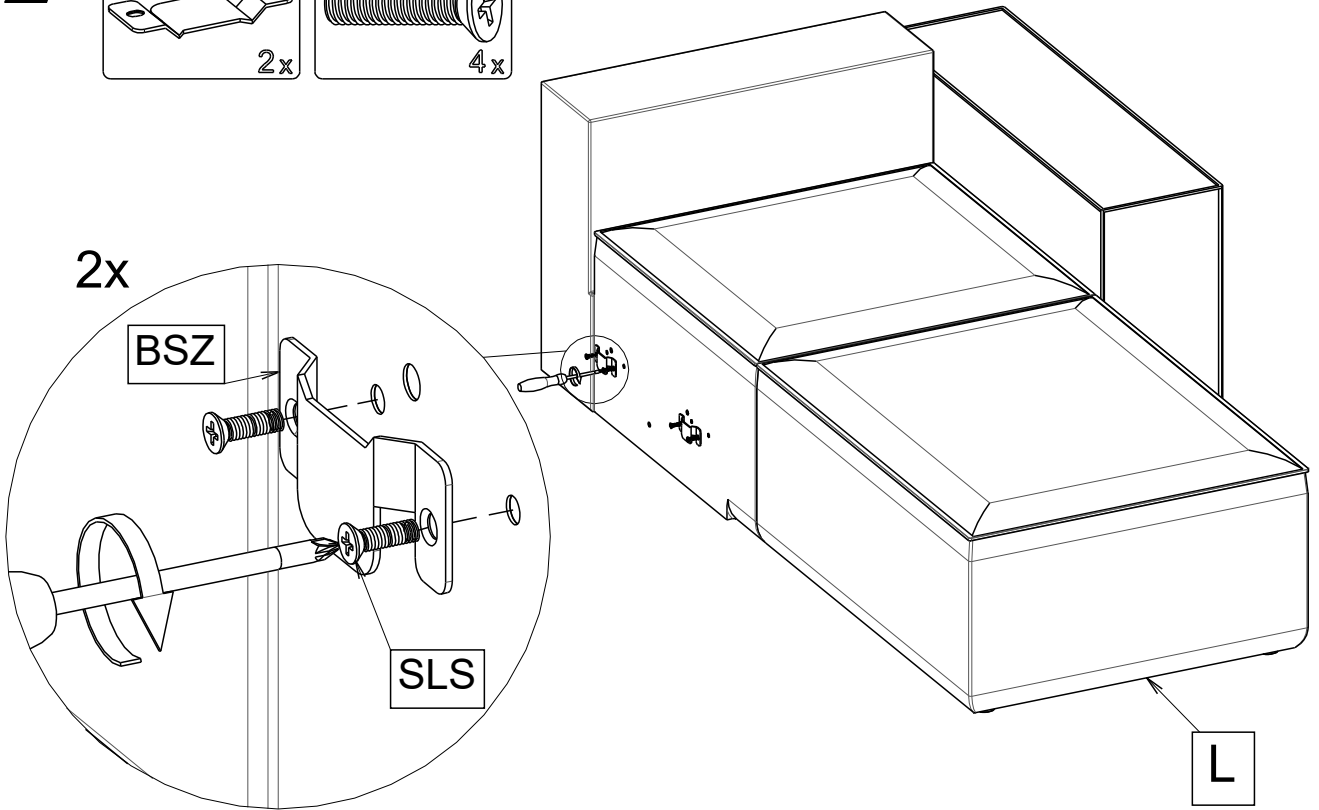


2x

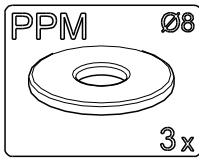
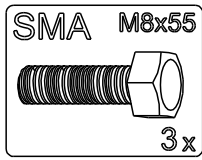
BSZ

SLS

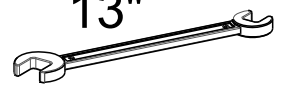
L



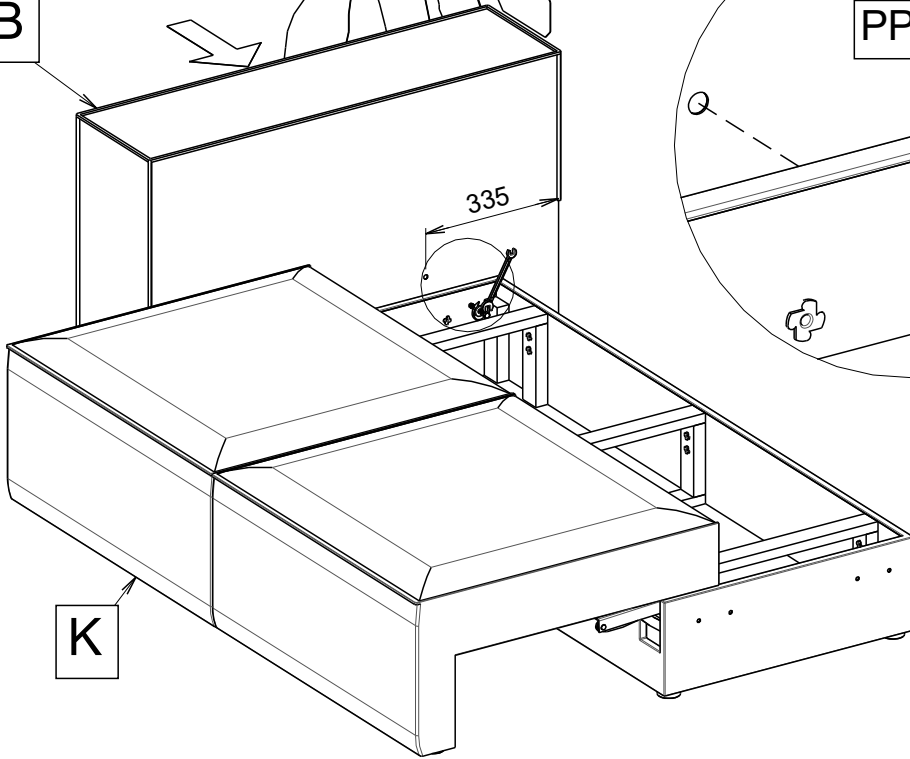
3



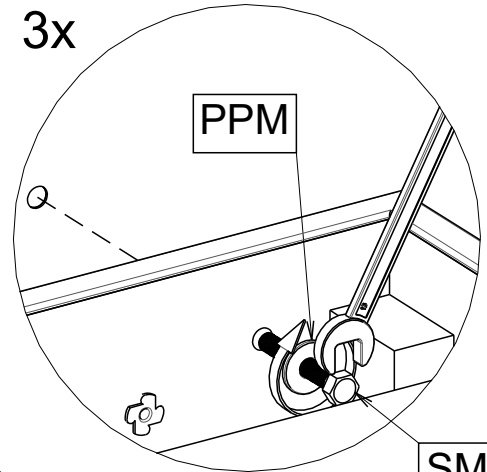
13"



B

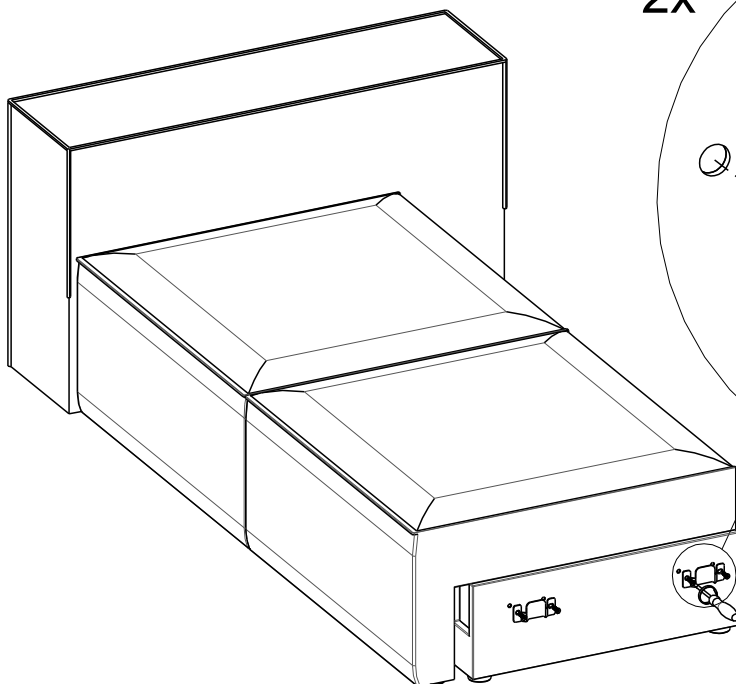
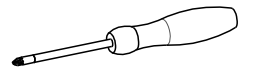
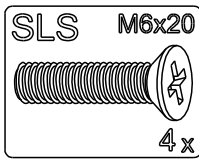
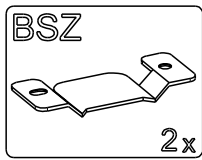


3x

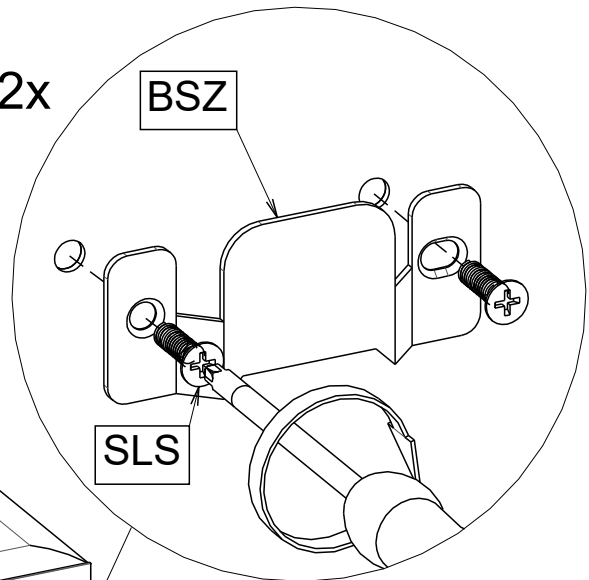


K

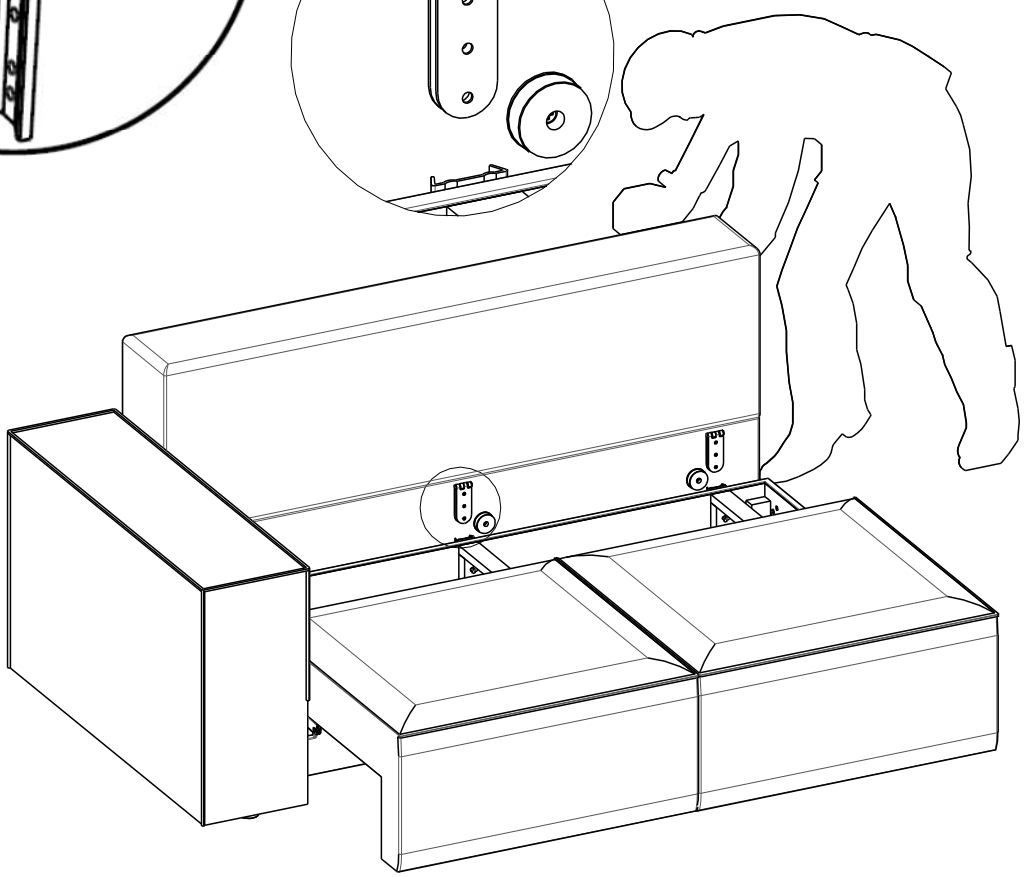
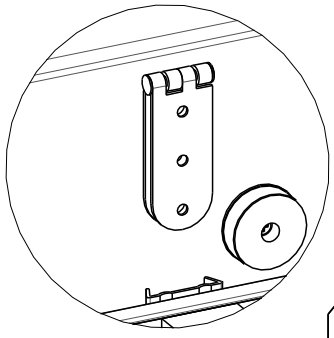
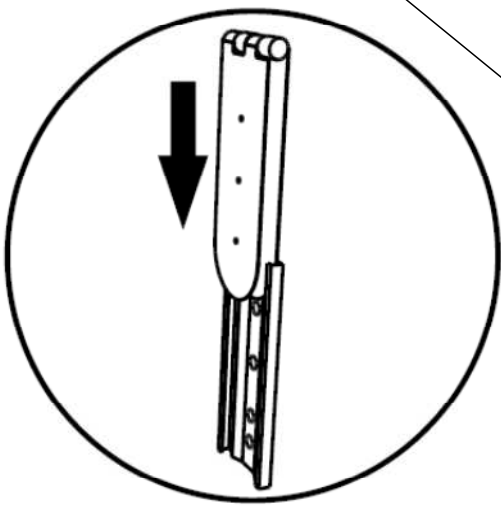
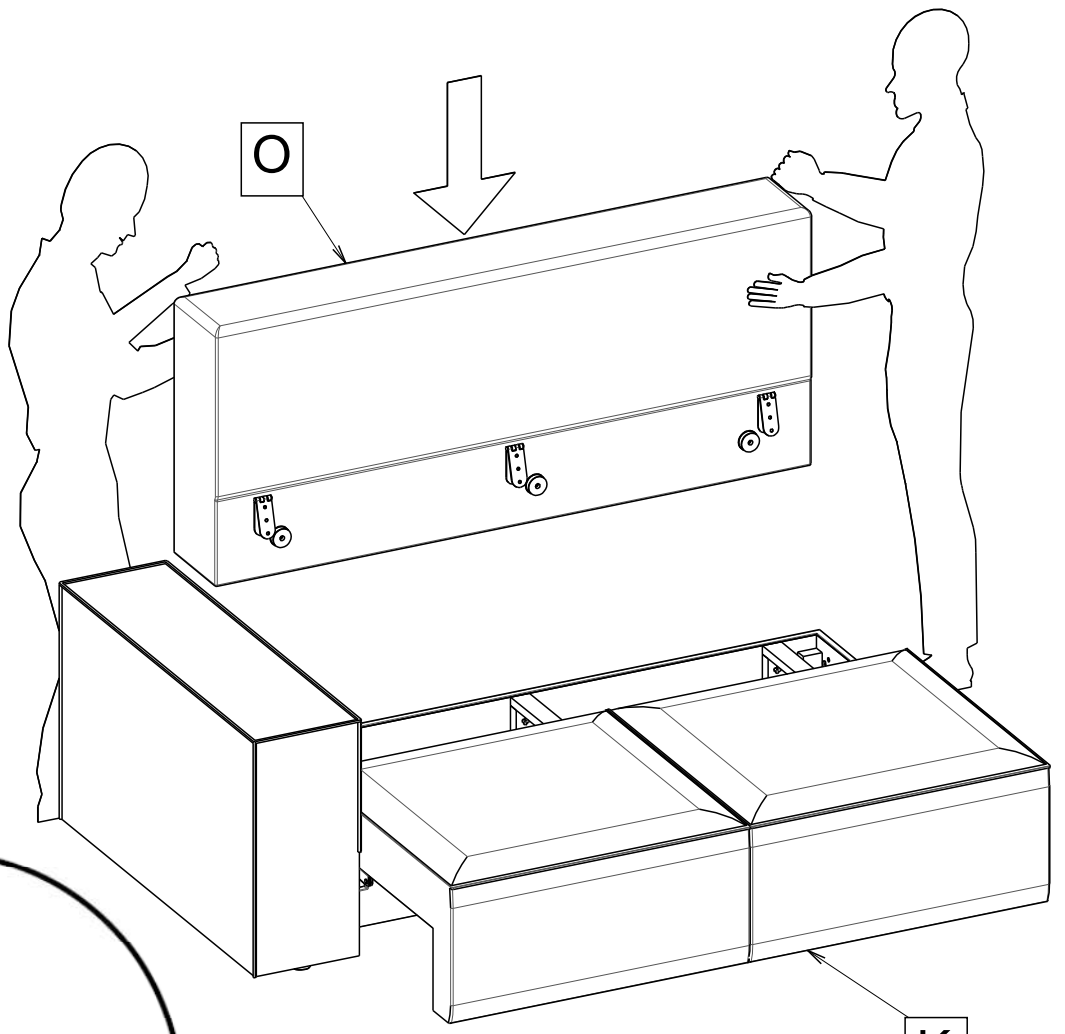
4



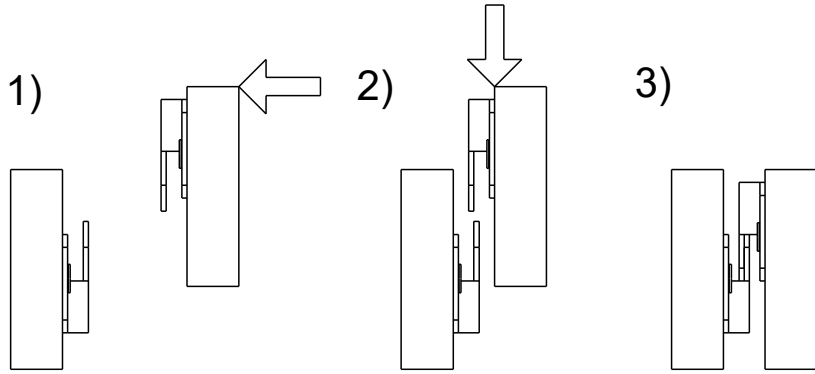
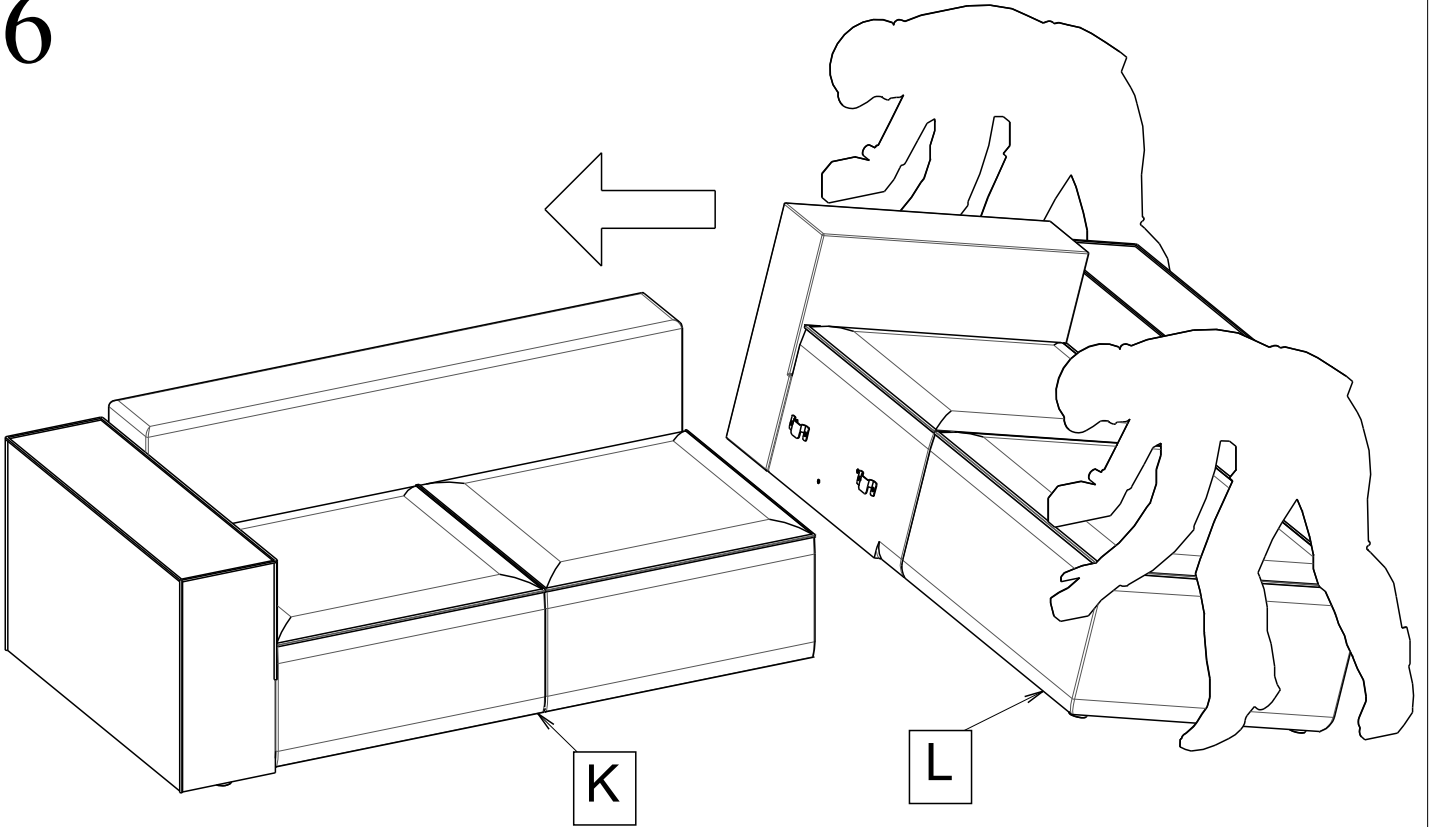
2x



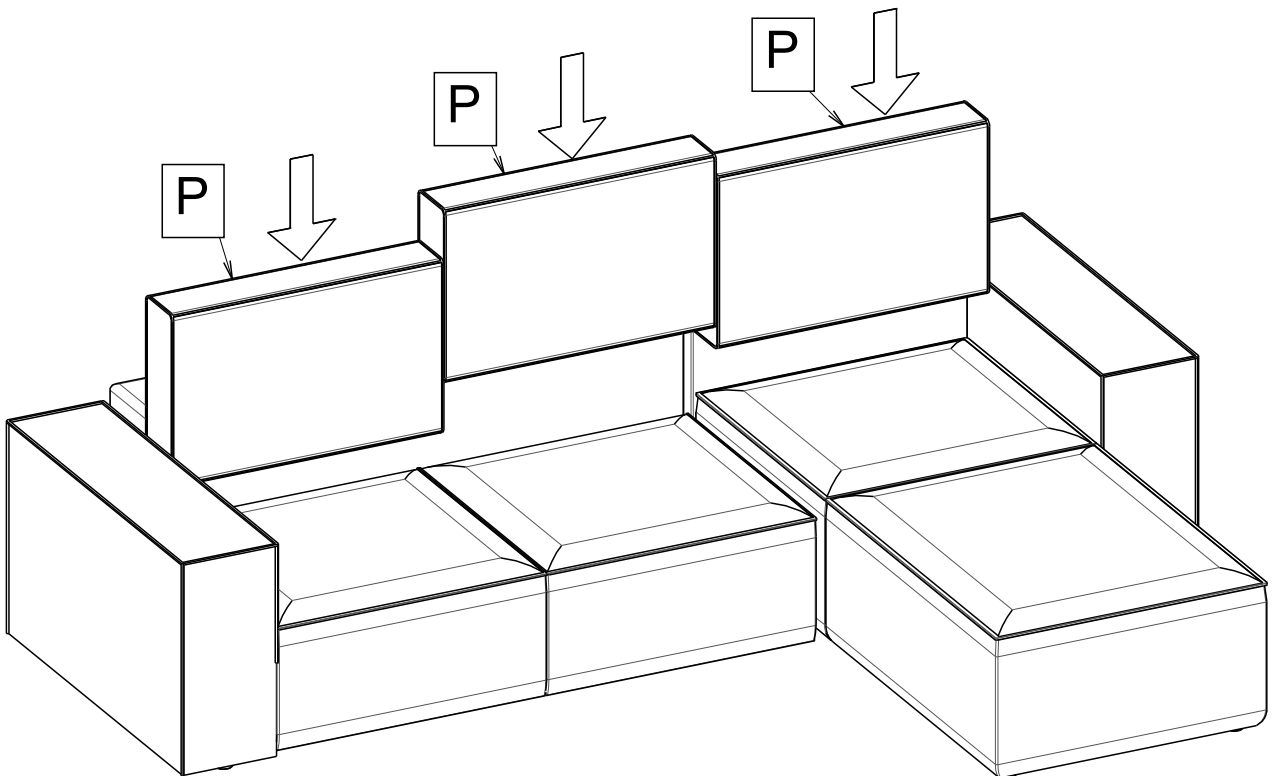
5

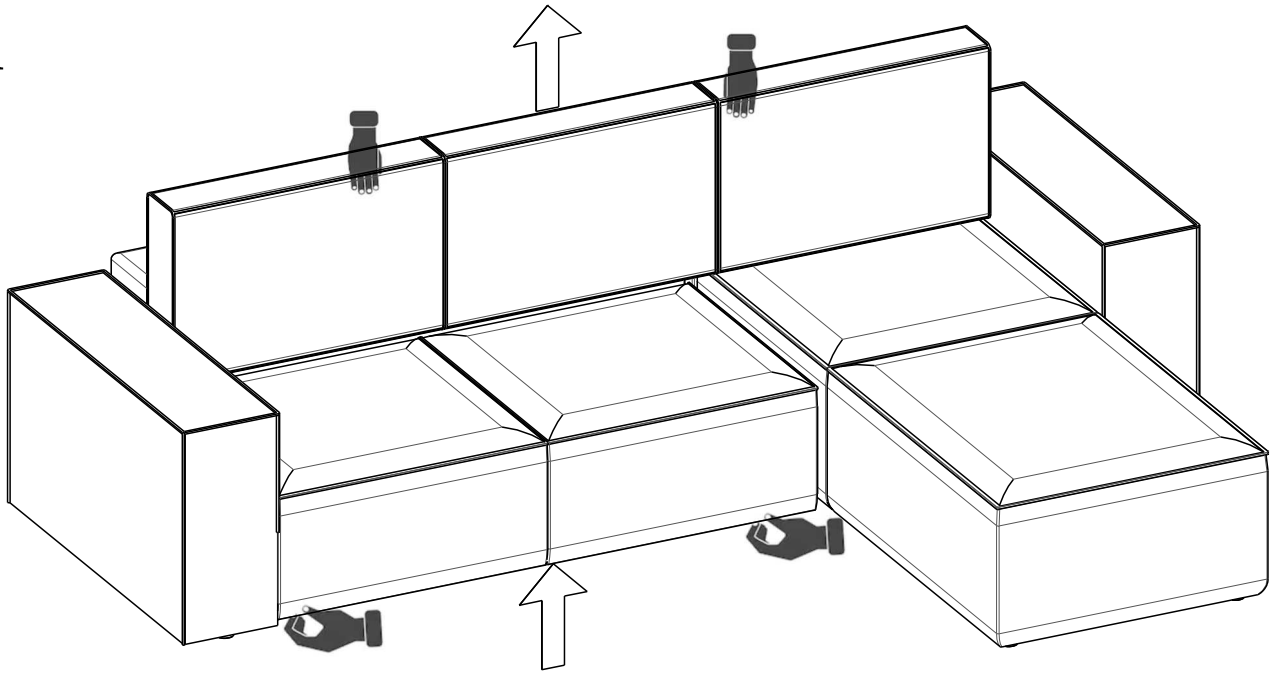
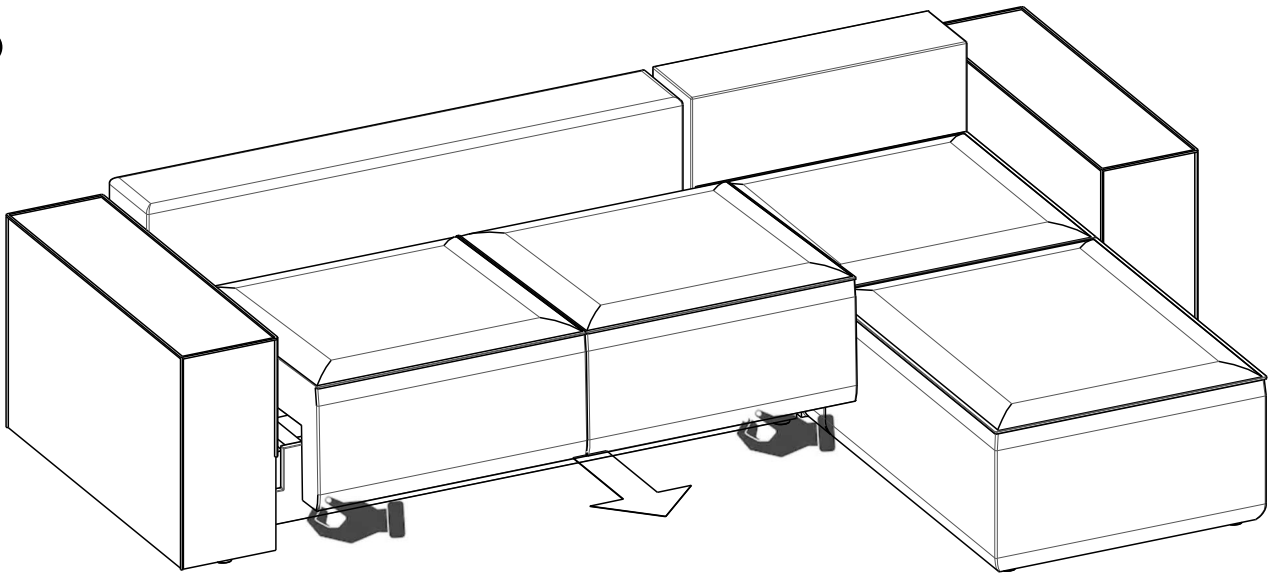
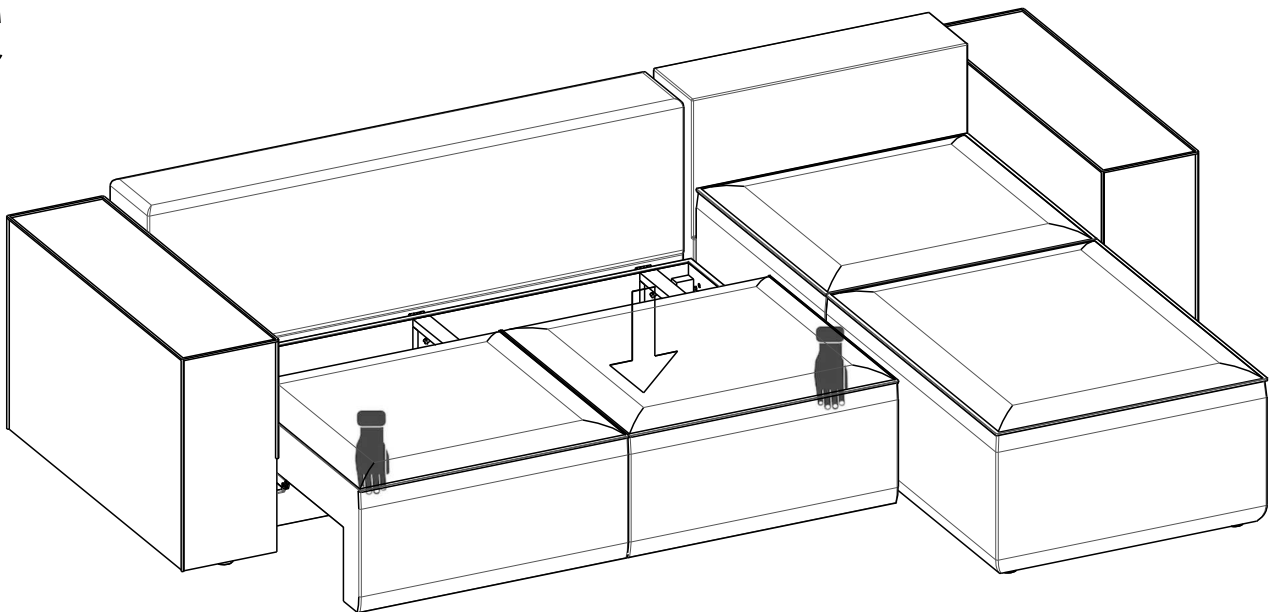


6

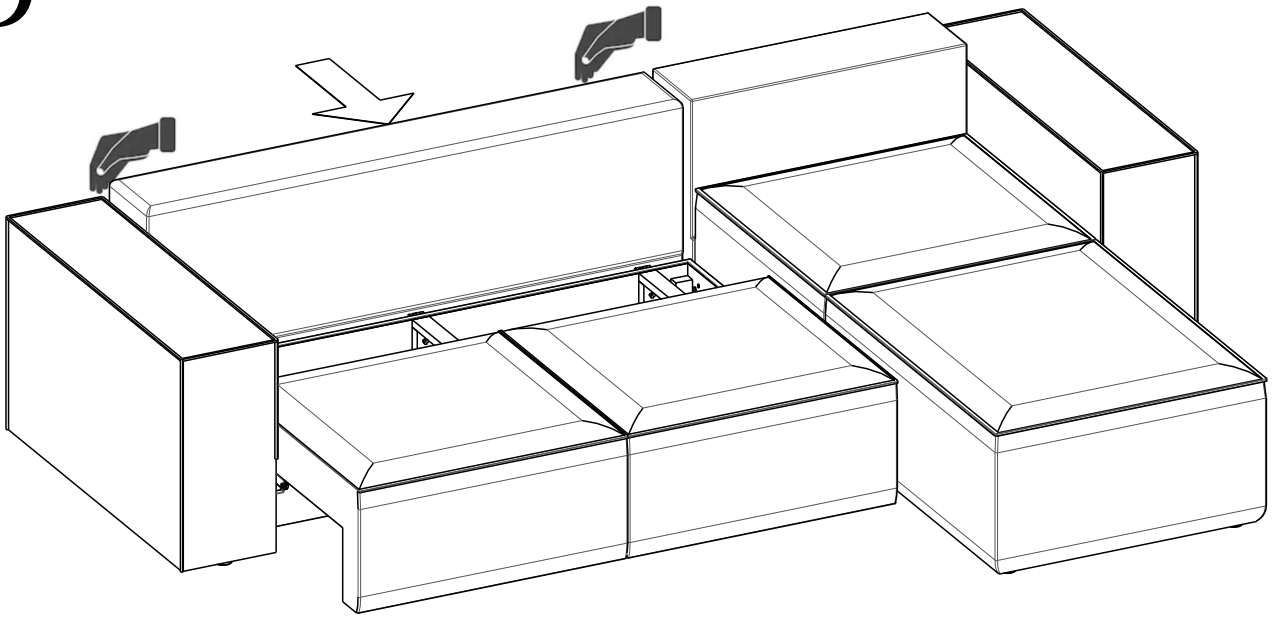


7

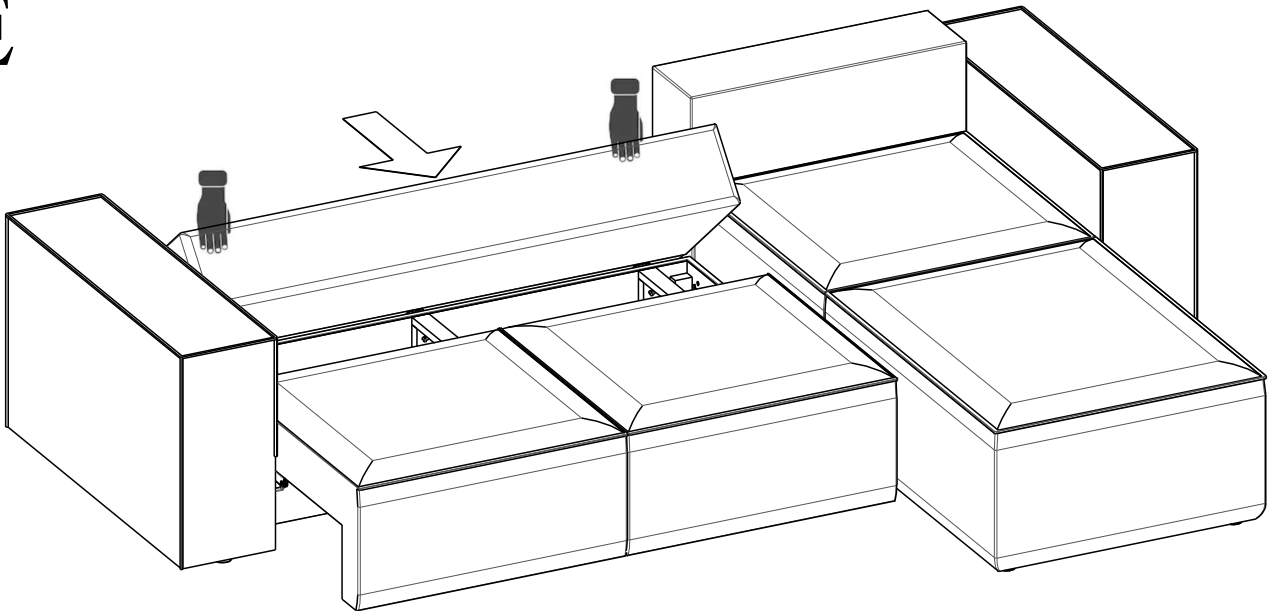


A**B****C**

D



E



F

