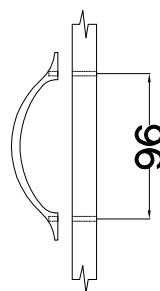
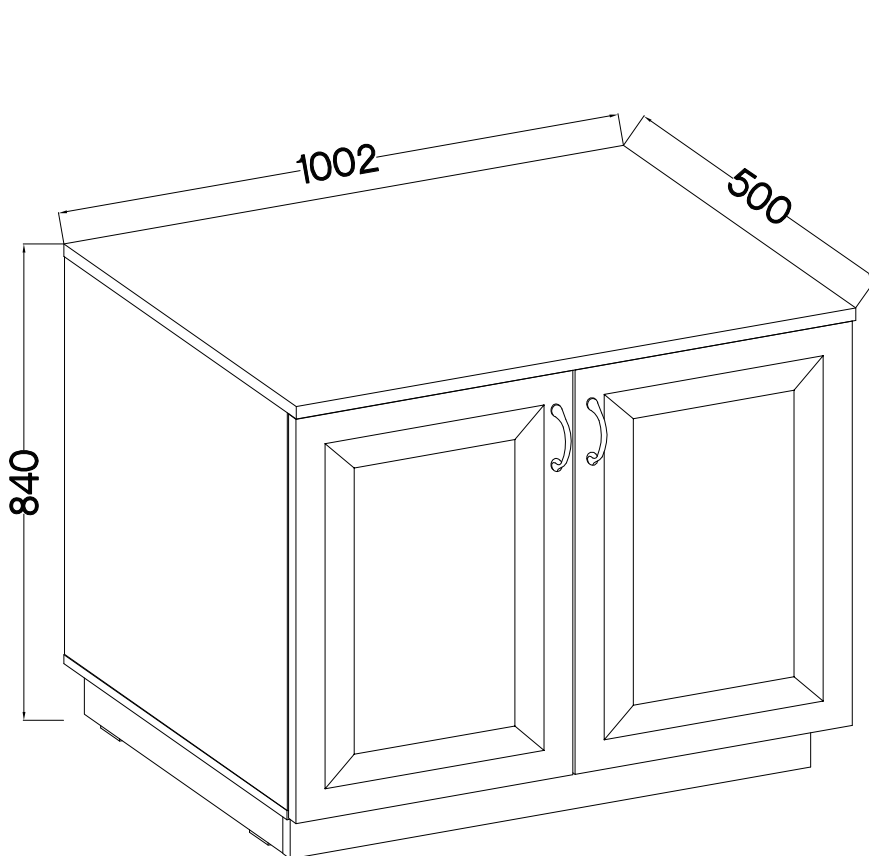
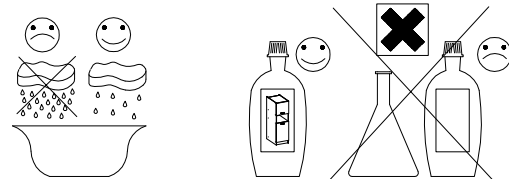









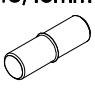
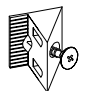
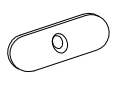

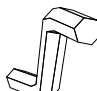










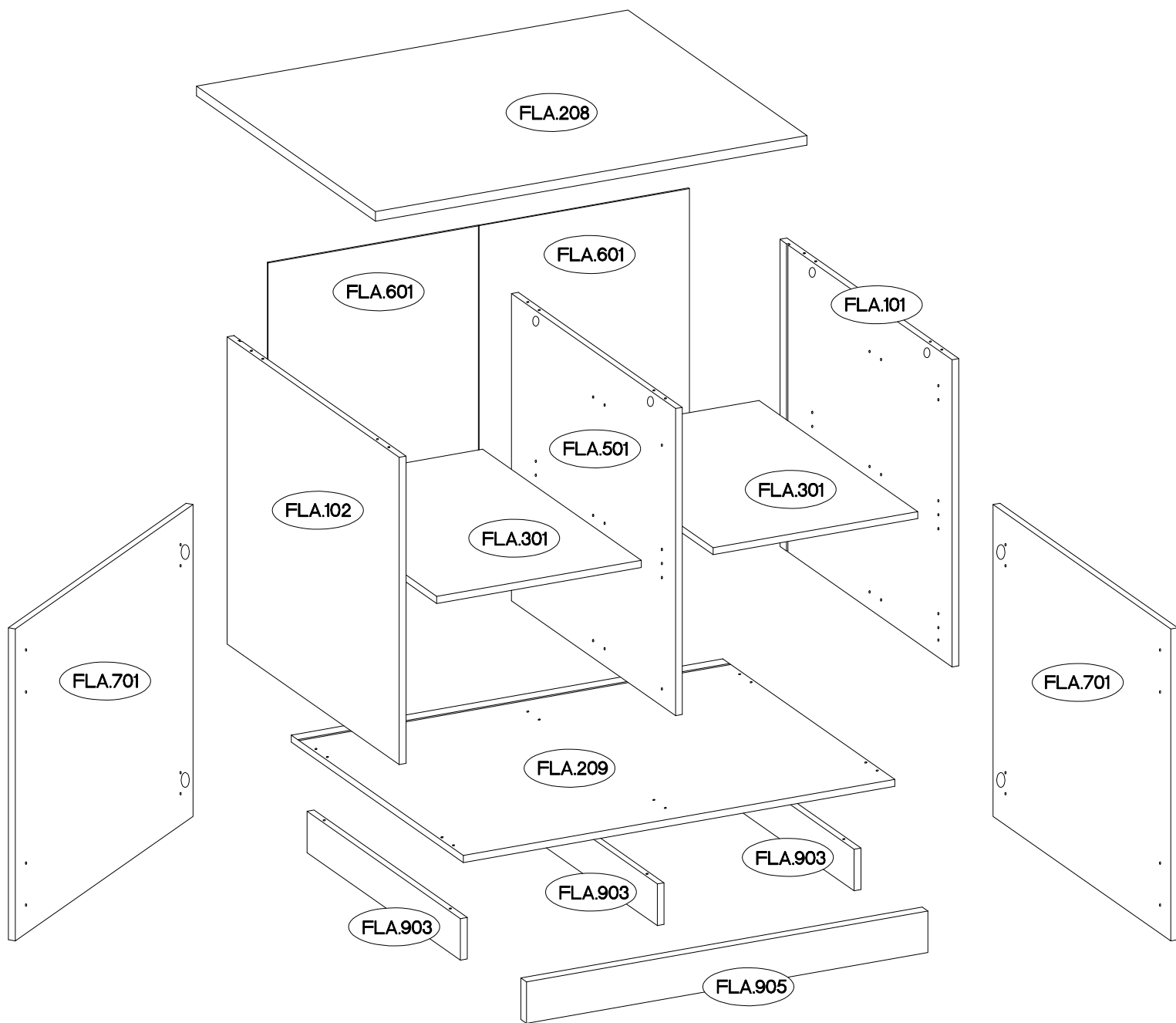
60 min



 #8x30mm A	 6,4 x 50mm B	 #15/12mm C	 L=20mm D2
18	6	6	6

 E	 E1	 #15x5mm F4	 6.5x48x16 F22	 #35/0mm HG	 #5/16mm J3	 L	 L2	 L9	 O	 O1
6	4	1	6	4	8	8	4	1	1	1

 #10x50mm O7	 #4.0x16mm P1	 #3.5x13mm P5	 #3.0x20mm P7	 S	 T3	 M4x22mm U
1	10	9	4	2	5	4

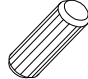



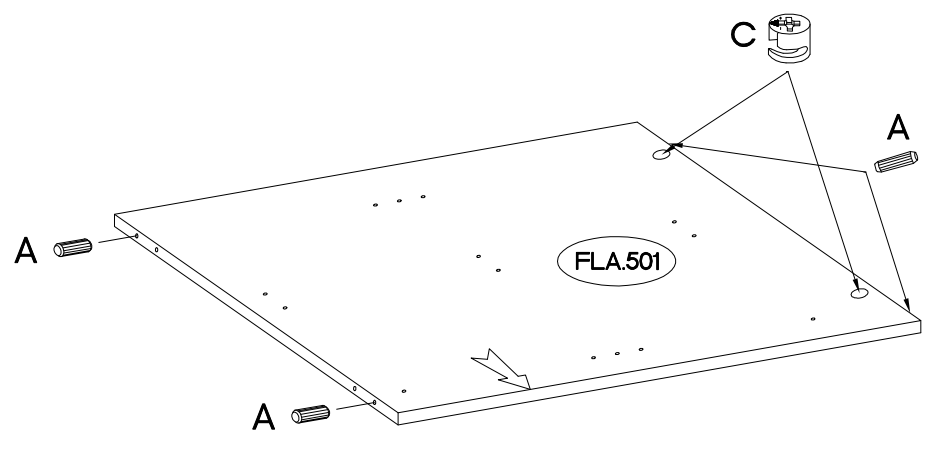
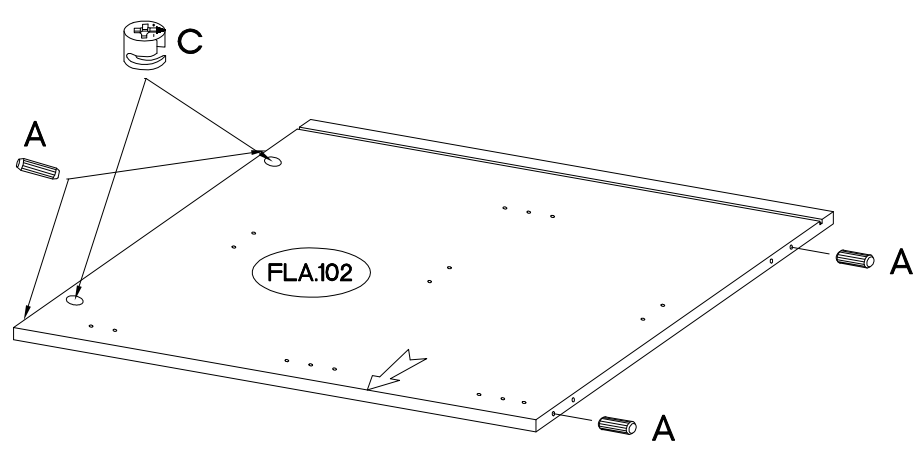
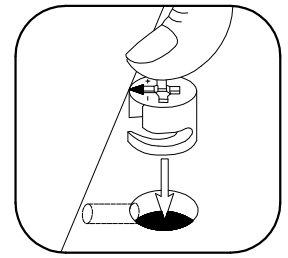
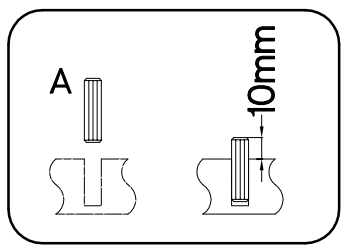
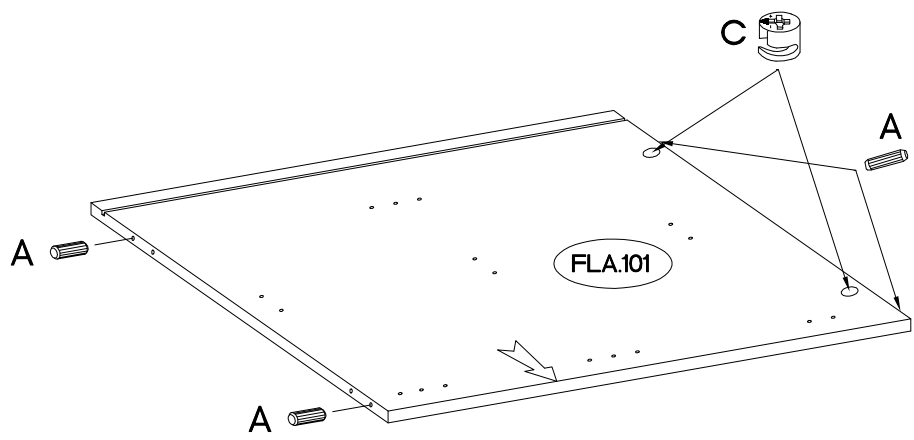
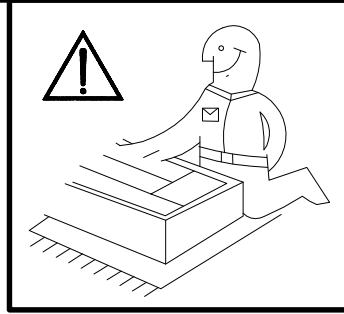
FLA.301

1/2	FLA.101	702x480x16
	FLA.102	702x480x16
	FLA.208	1002x500x22
	FLA.209	1002x480x16
	FLA.301 x2	475x443x16
	FLA.501	702x458x16
	FLA.601 x2	711x488x2.5
	FLA.903x3	428x95x16
	FLA.905	932x95x16

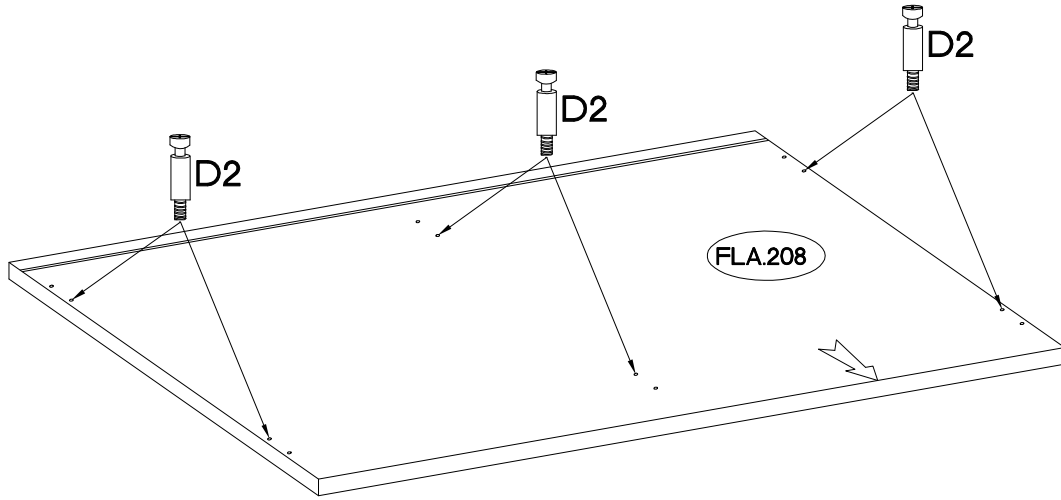
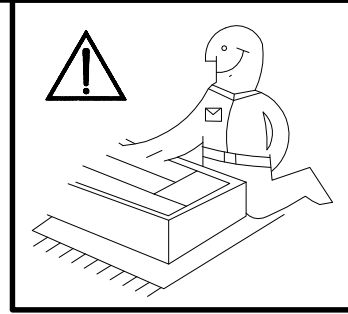
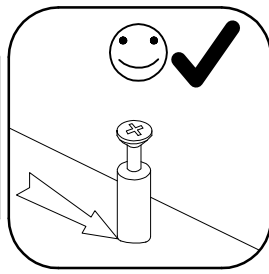
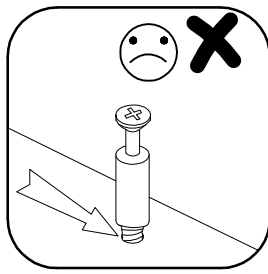
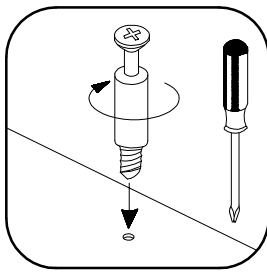
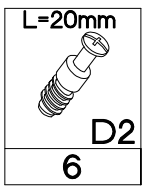
2/2	FLA.701 x2	713x496x16
-----	------------	------------

1

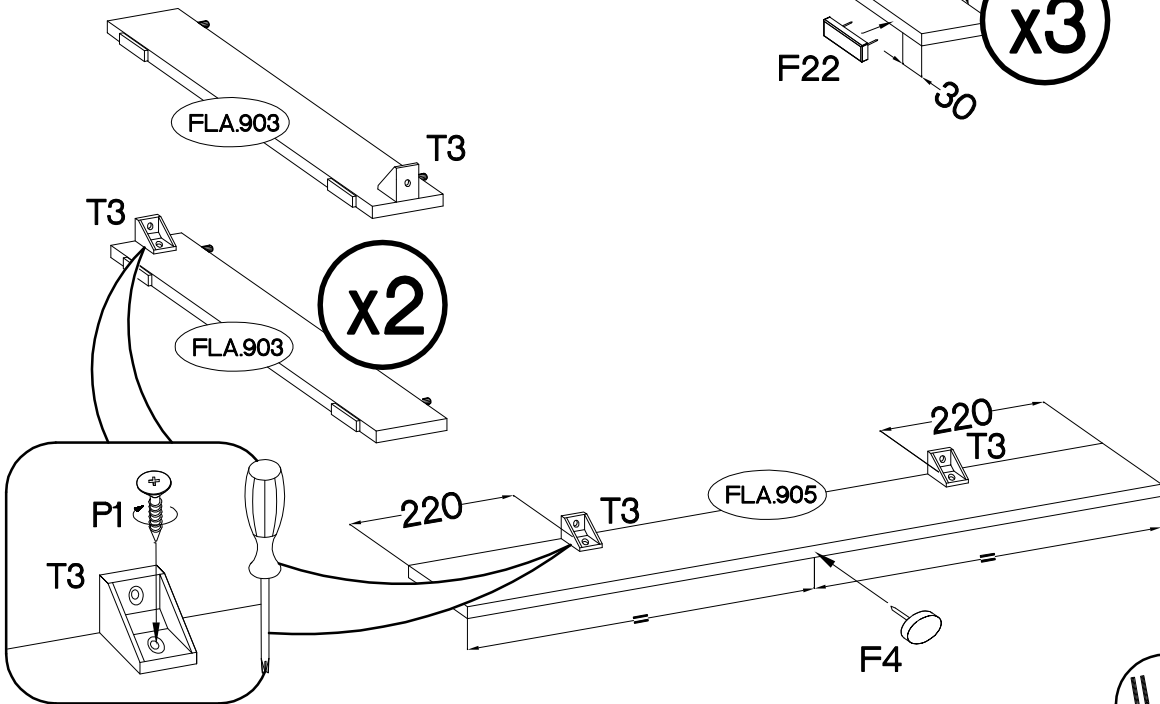
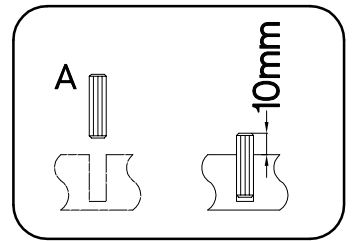
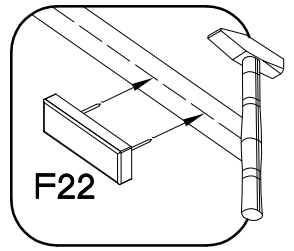
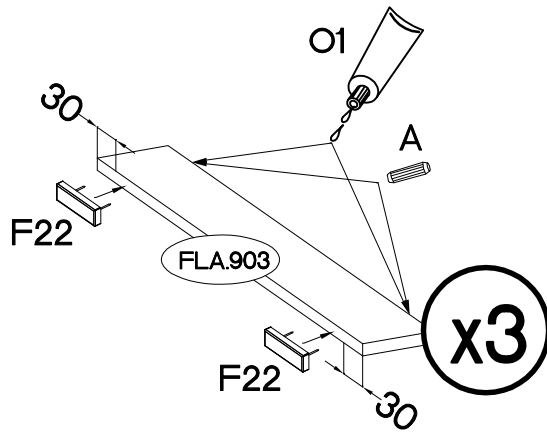
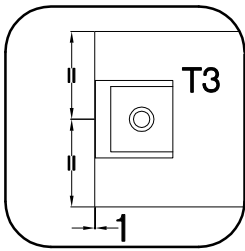
$\pm 8 \times 30 \text{mm}$  A 12	$\pm 15 / 12 \text{mm}$  C 6
--	---



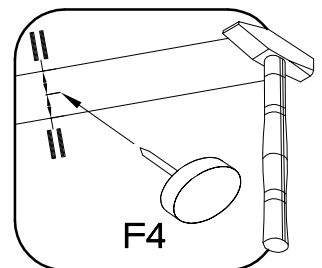
2



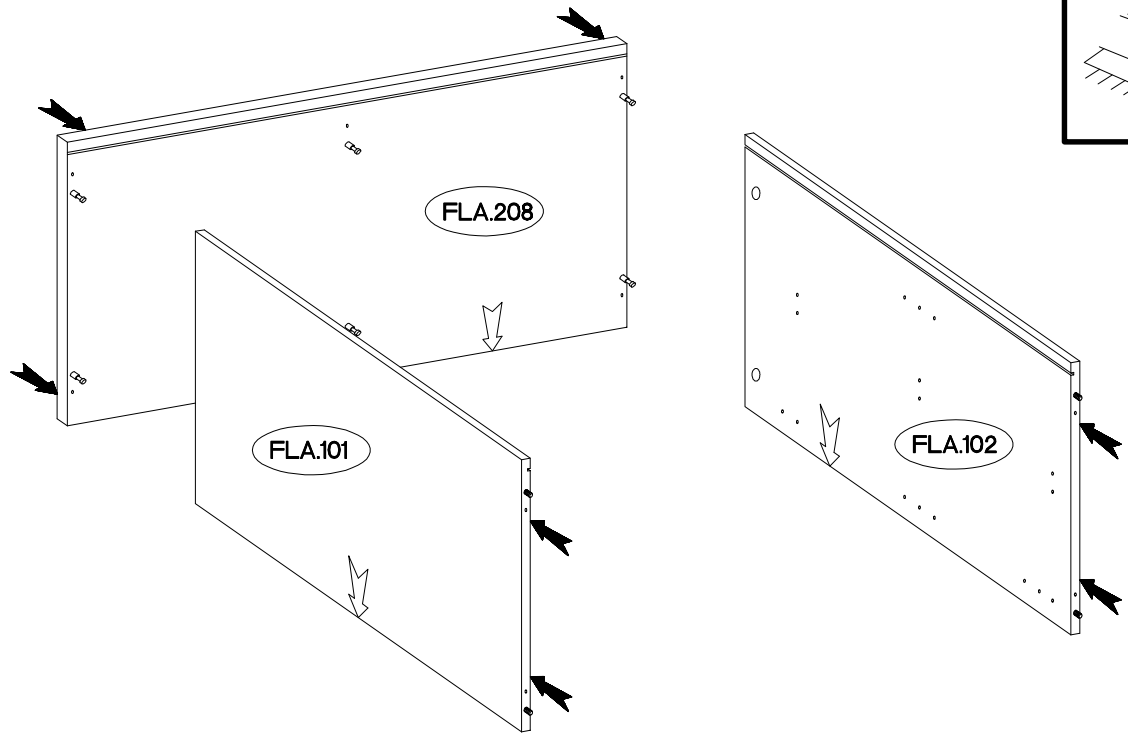
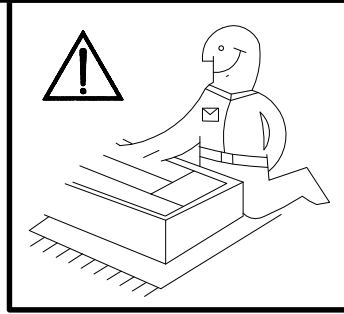
3



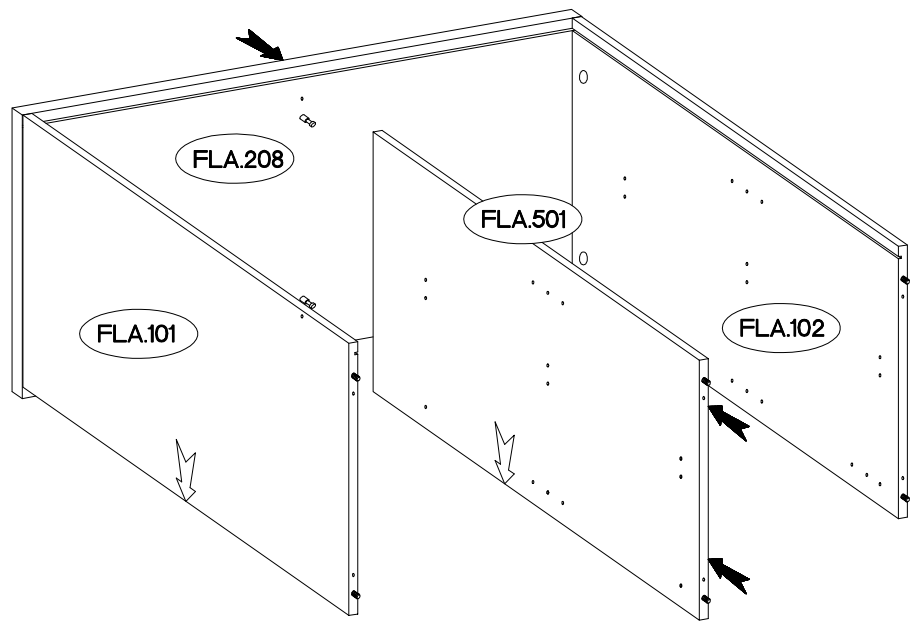
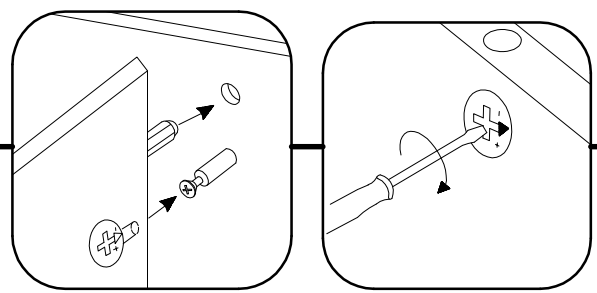
	+4.0x16mm	6.5x48x16	+15x5mm		+8x30mm
T3	P1	F22	F4	O1	A
5	5	6	1	1	6



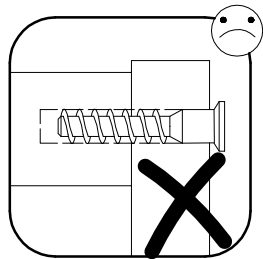
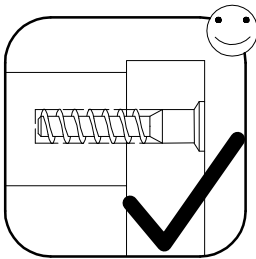
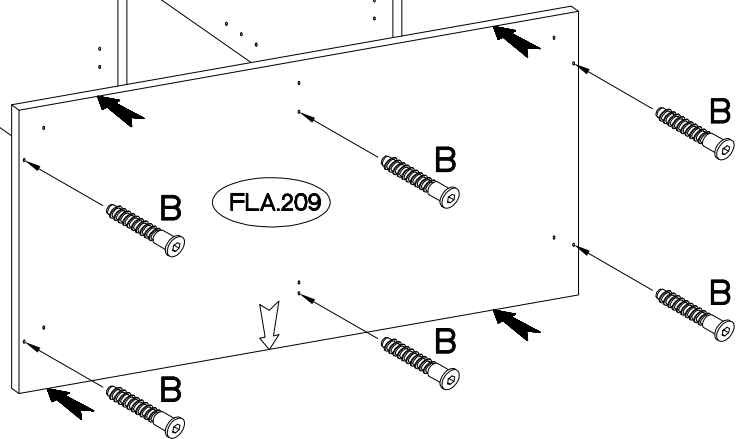
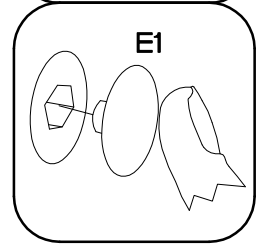
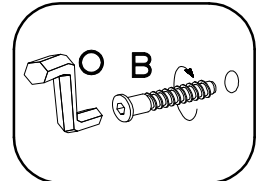
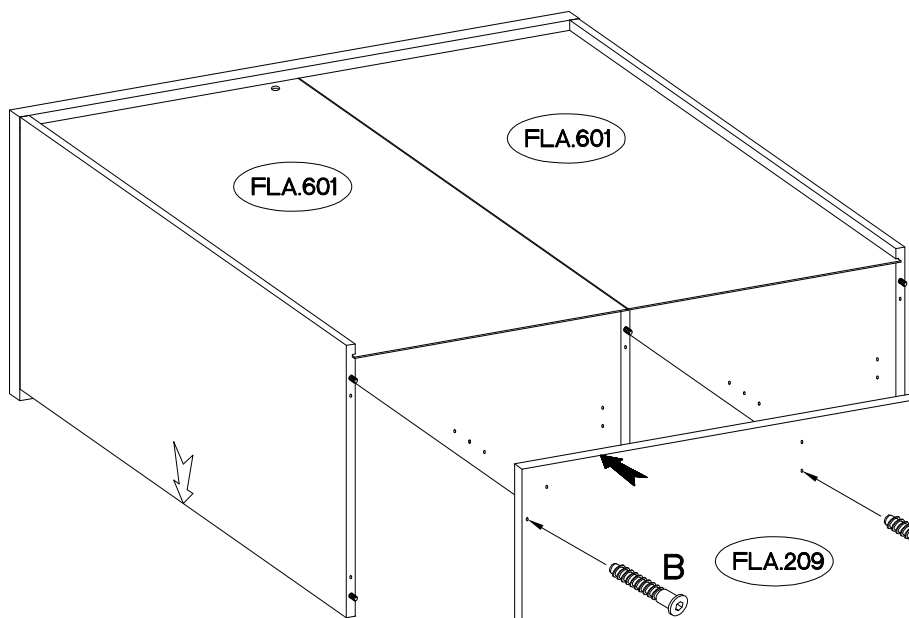
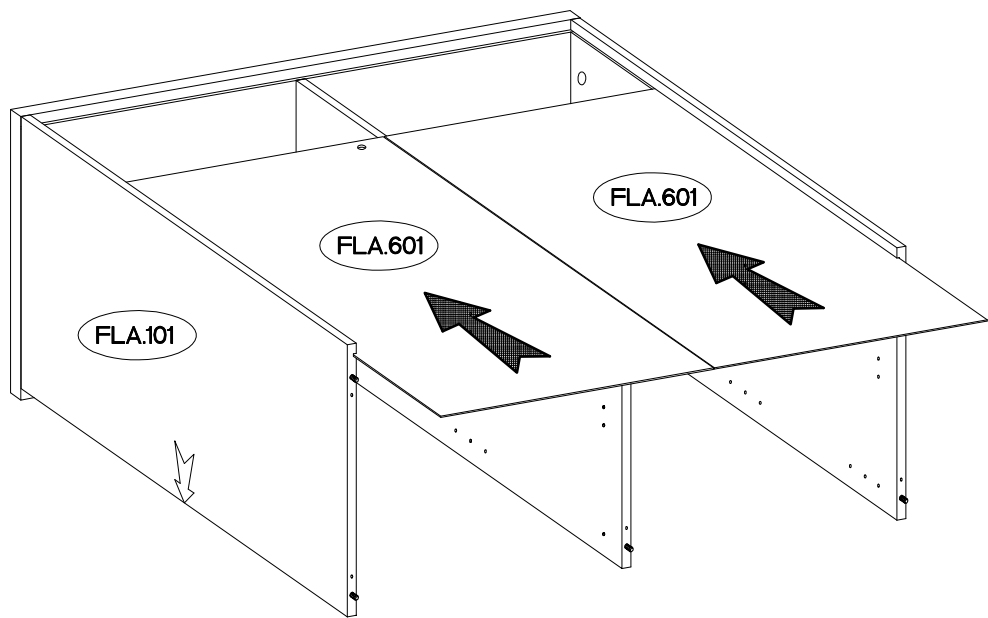
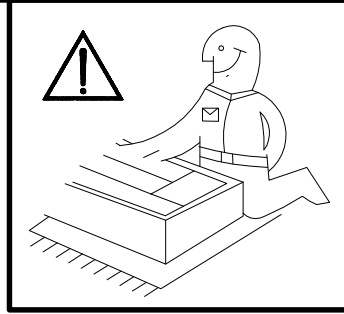
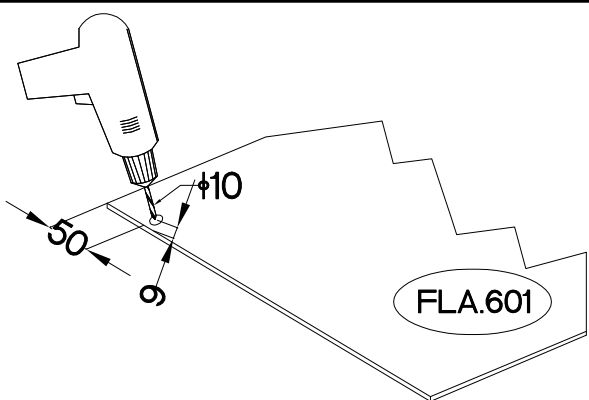
4



5

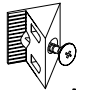

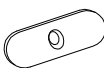


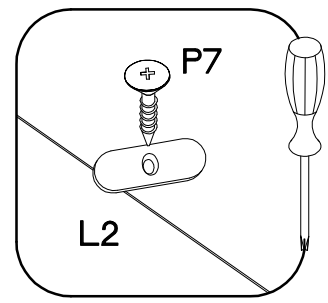
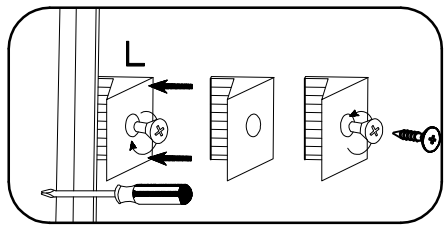
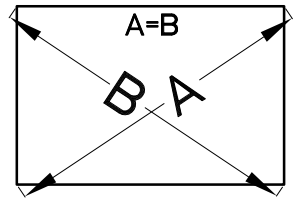
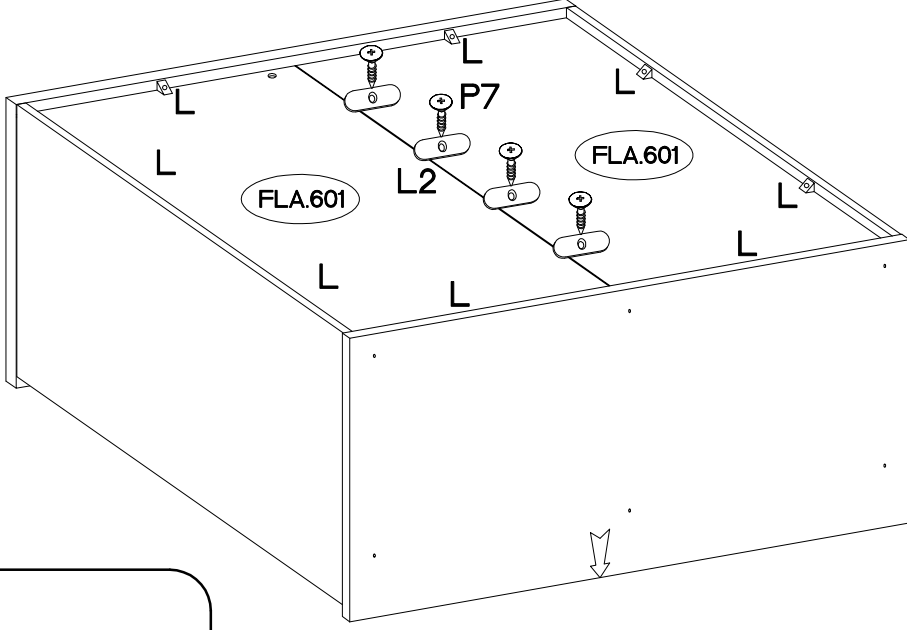
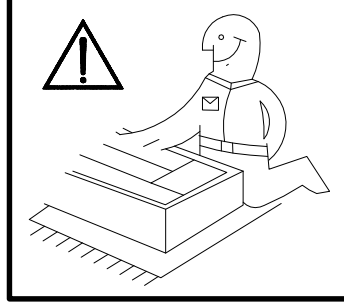
6




6,4 x 50mm		
6	1	4

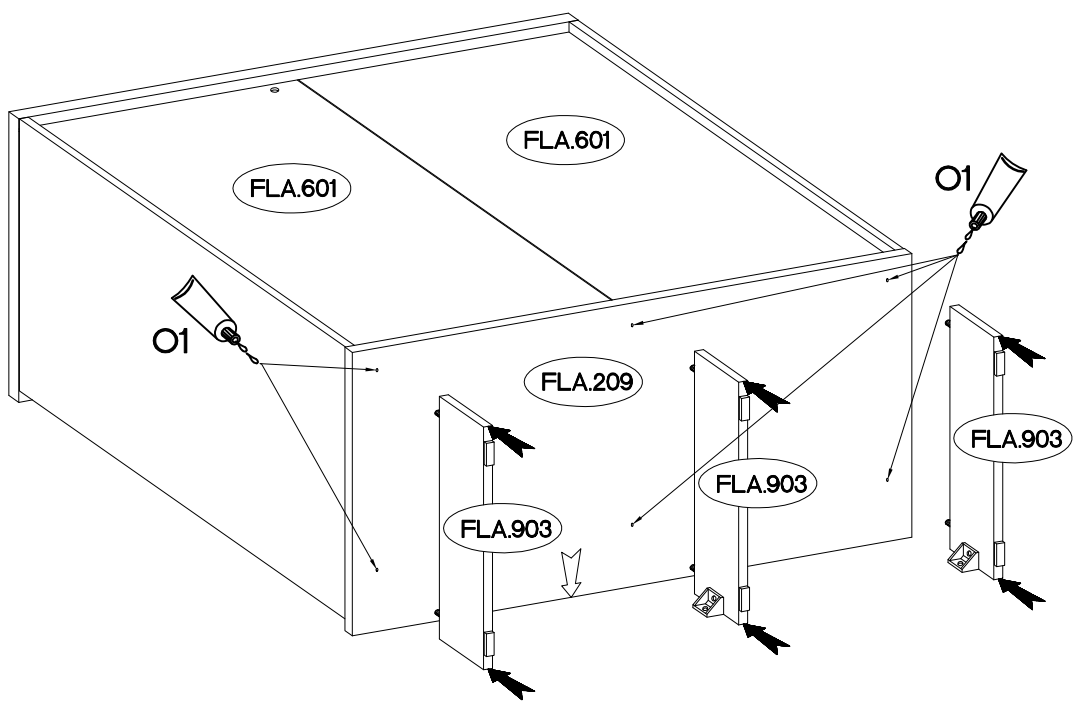
7

	$\varnothing 3.0 \times 20 \text{mm}$ 	
L	P7	L2
8	4	4



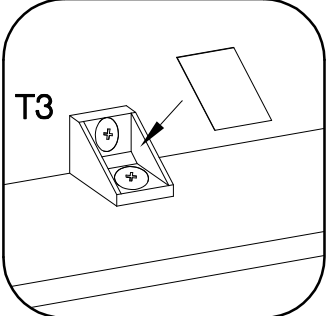
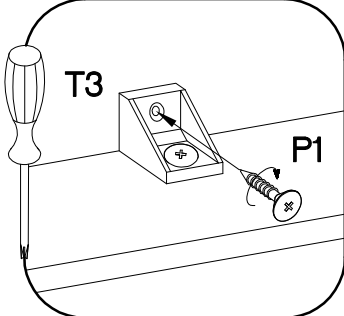
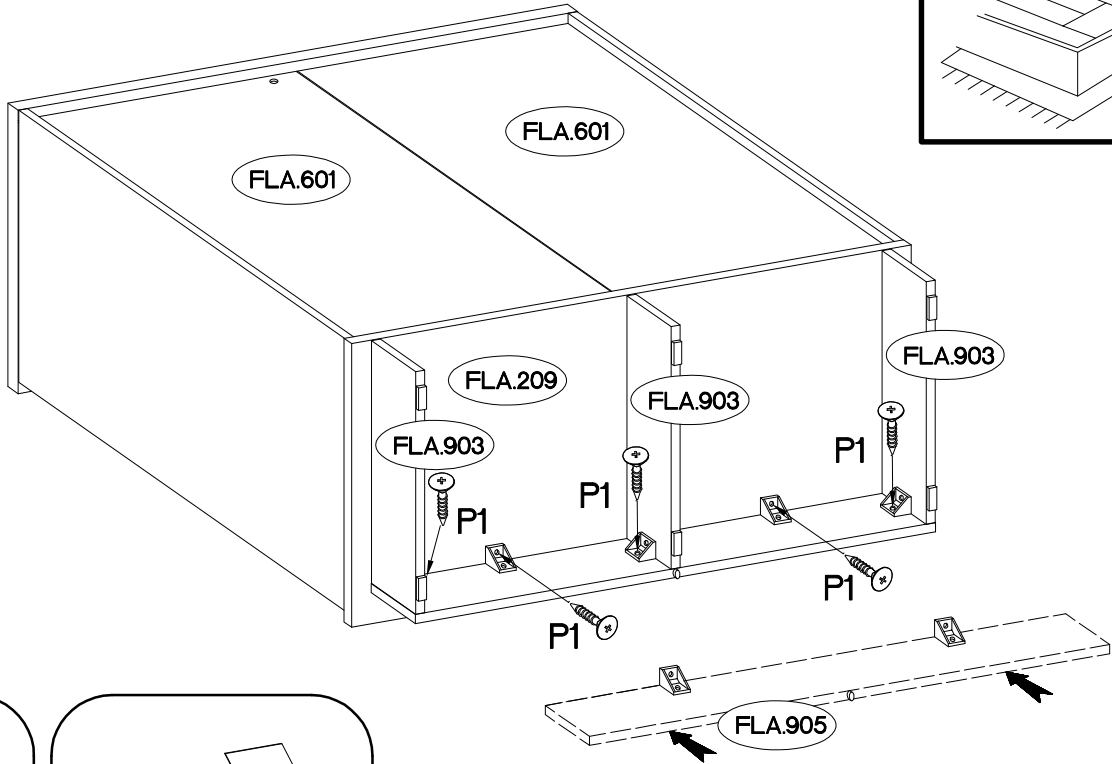
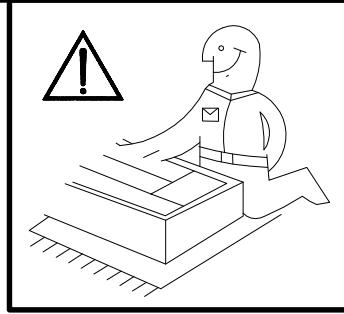

8


O1
1

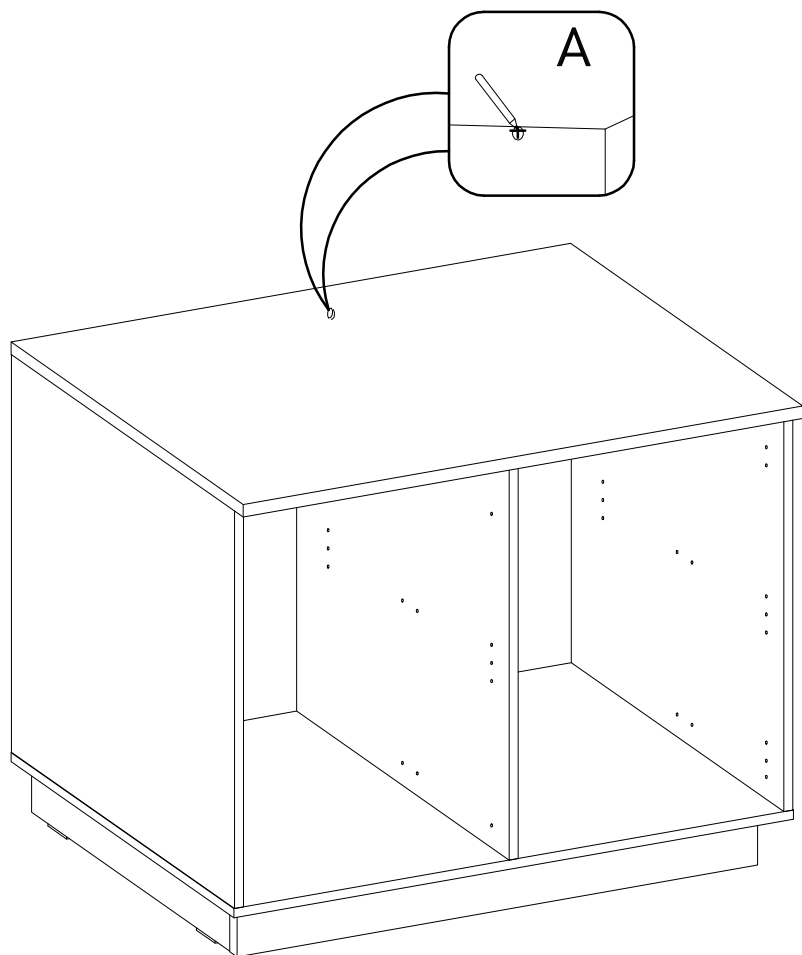


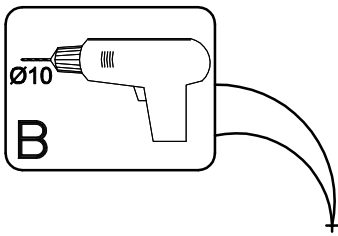
9




4.0x16mm
P1
5

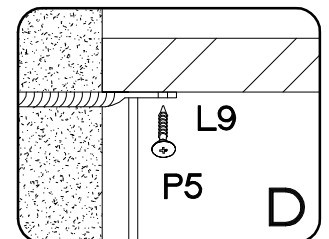
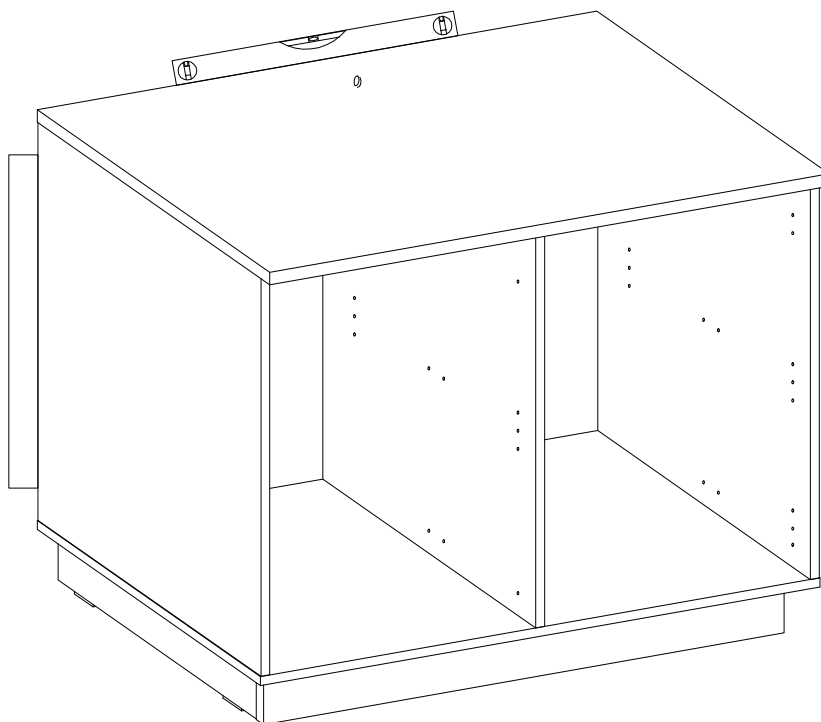
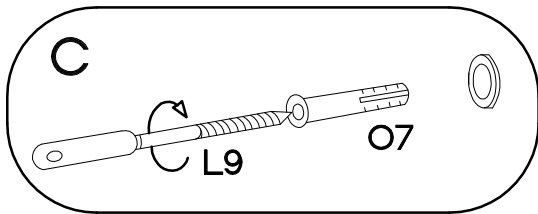
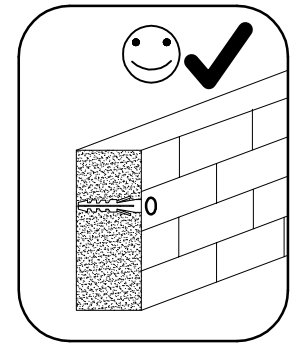
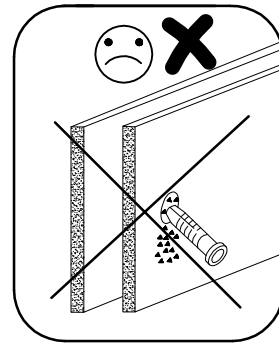
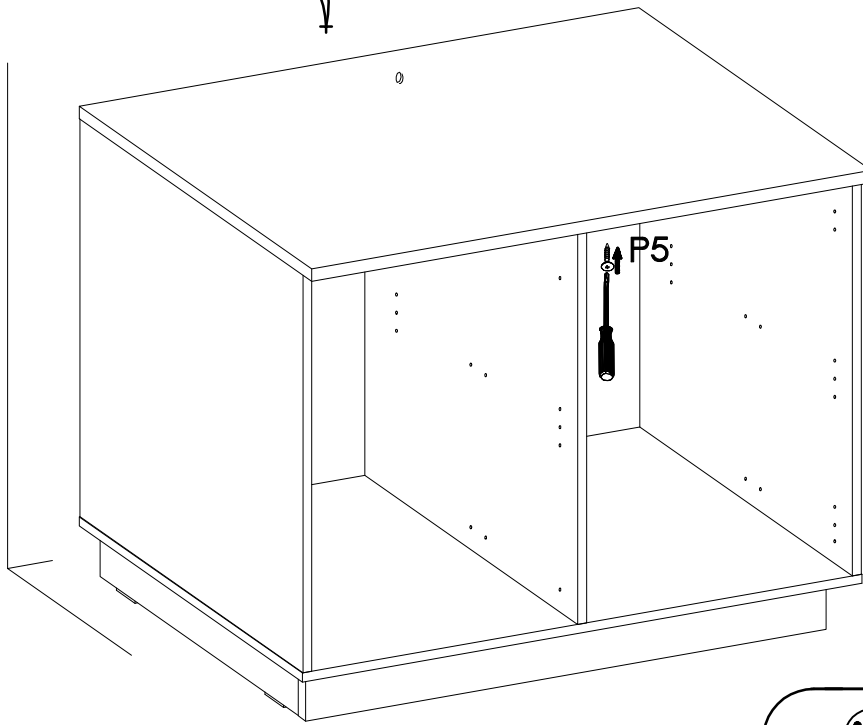


10

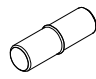



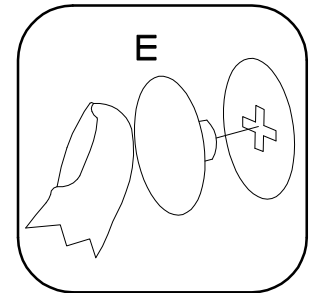
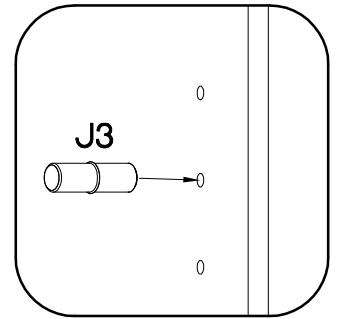
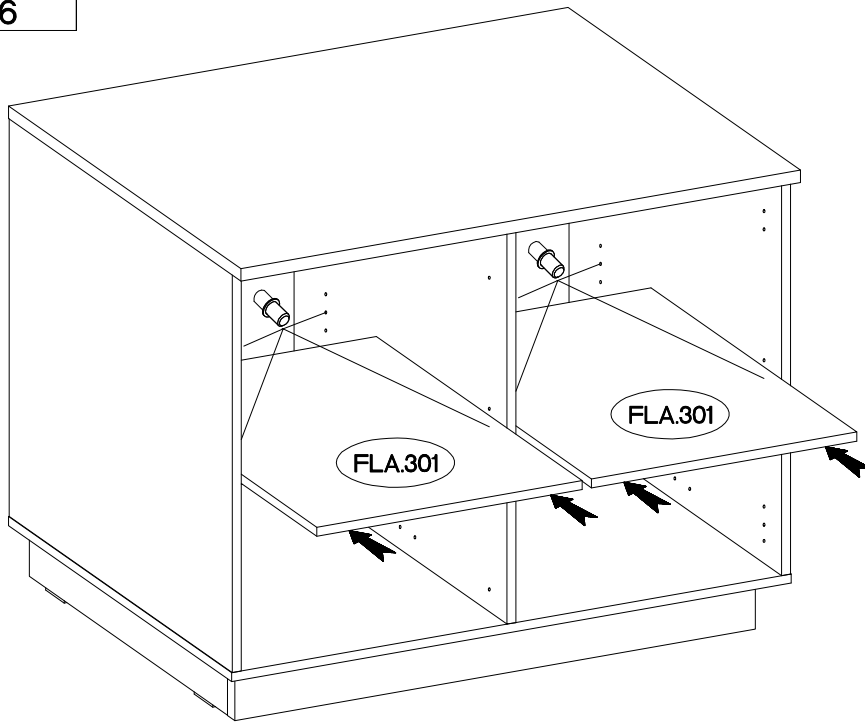


10x50mm  O7 1	3.5x13mm  L9 1	3.5x13mm  P5 1
--	---	---





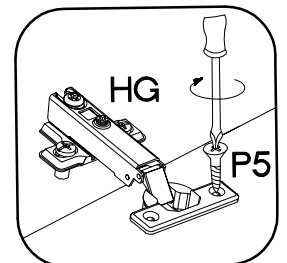
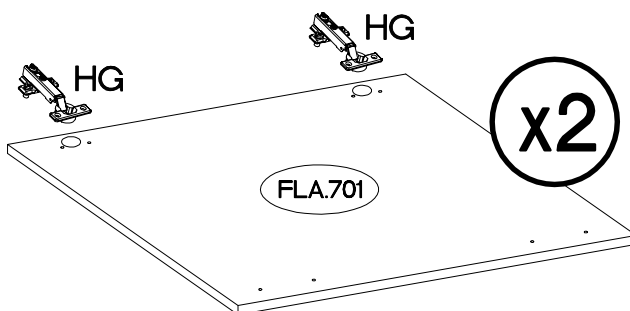
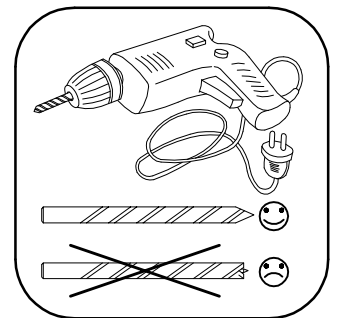
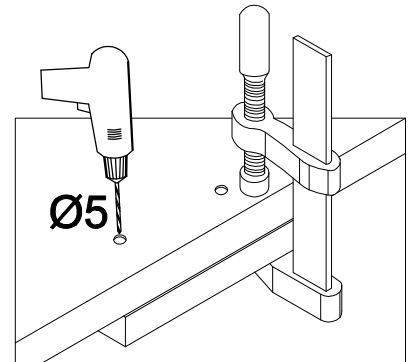
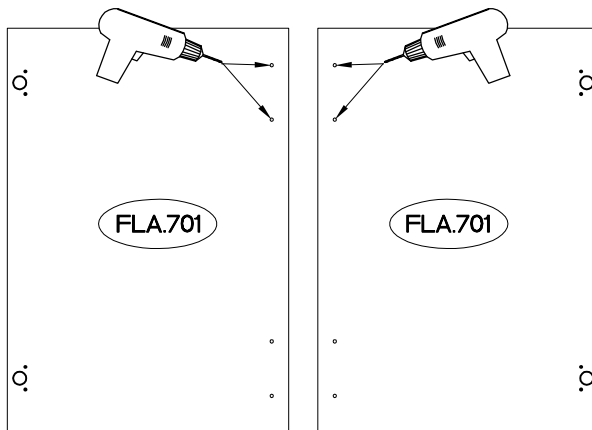
11



$\pm 5/16\text{mm}$  J3 8	 E 6
--	--



12

$\pm 35/0\text{mm}$  HG 4	$\pm 3.5 \times 13\text{mm}$  P5 8
---	--



M4x22mm		
	U	S
4		2

