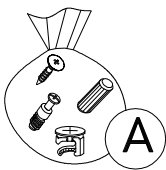
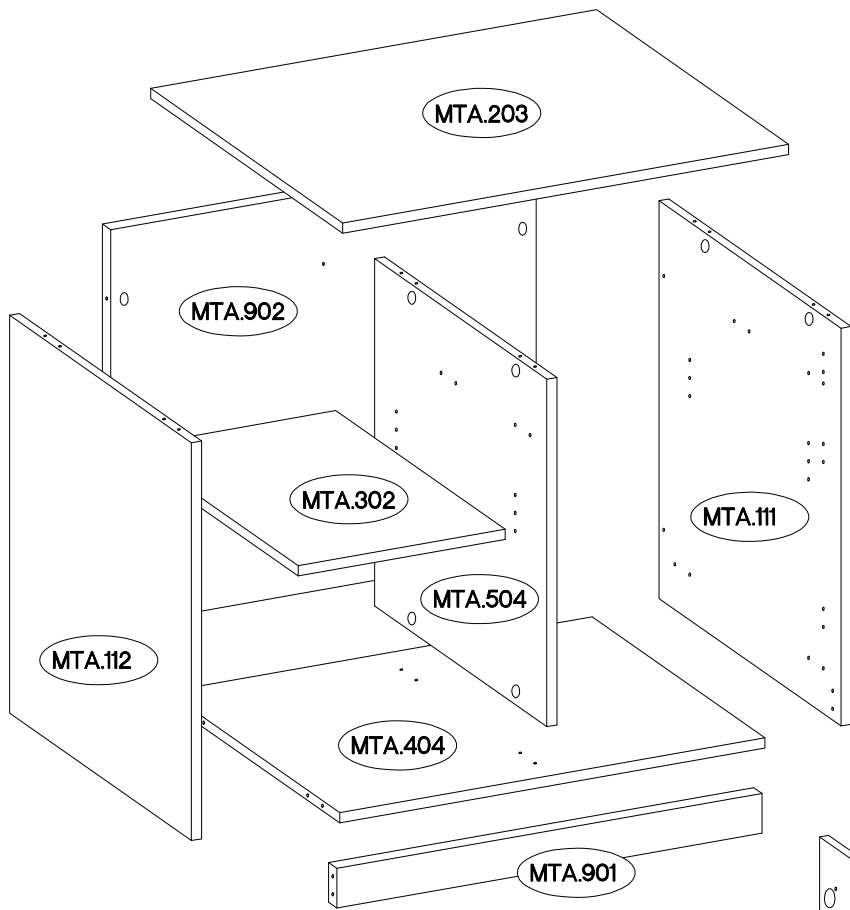


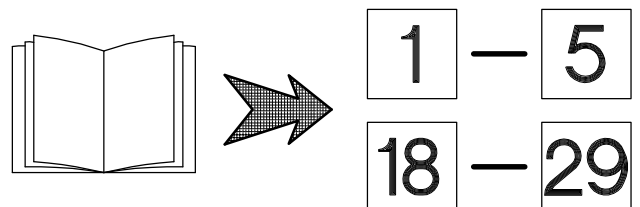
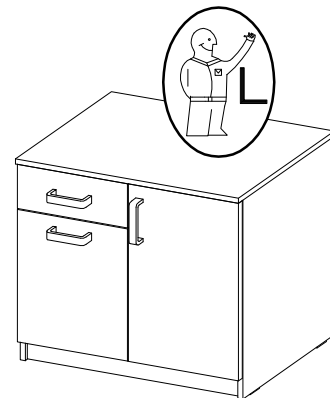
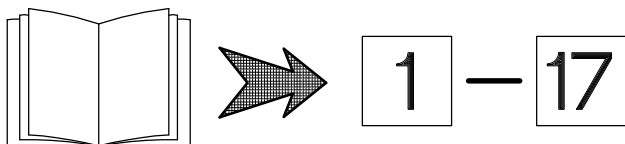
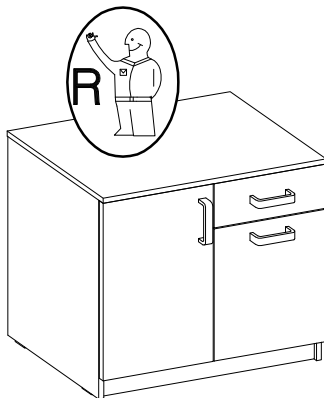
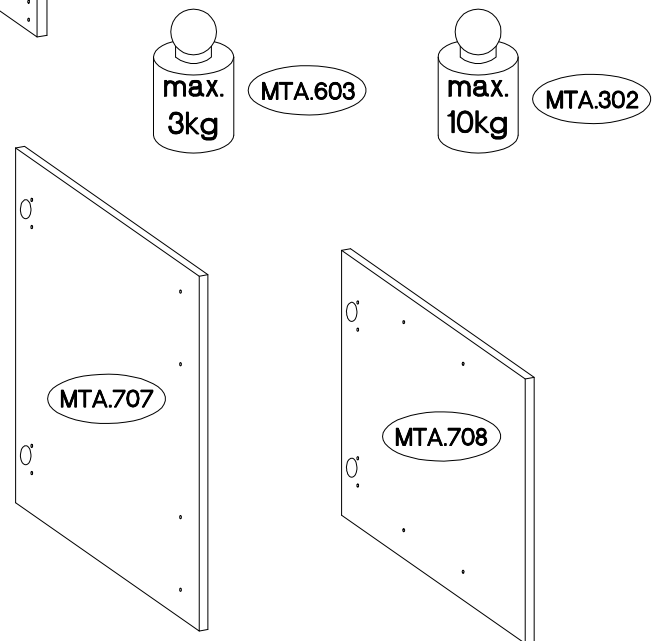
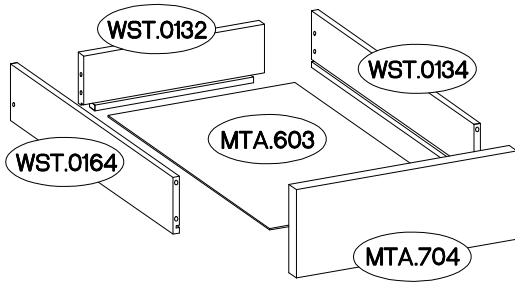
±35/0mm [CD] HG 4	±3.5x13mm P5 8	L=128mm S 3	M4x22mm U 6
-------------------------	----------------------	-------------------	-------------------




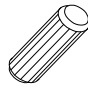

±8x30mm A 20	6,4 x 50mm B 2	±6x42mm B2 2	±15/12mm C 16	±12/10mm C5 2	L=20mm D2 18	E1 2	±20 E11 10		
6.5x48x16 F2 4	[CD] L=350mm R 1	±5/16mm J3 4	±20/8mm J14 4	L 2	±6.3x13mm M2 4	±6.3x20mm M3 4	O 1	O1 1	±3.0x20mm P7 2

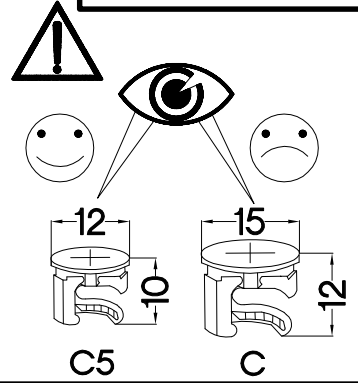
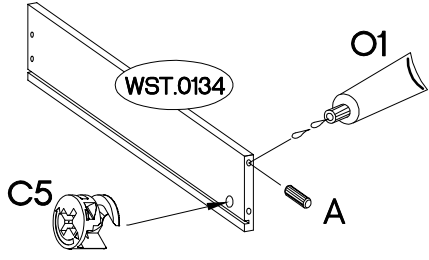
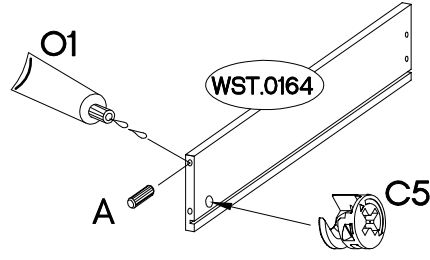
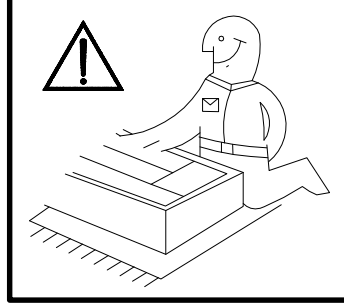
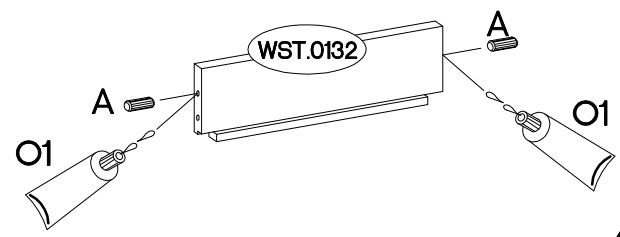


MTA.111	702x392x18
MTA.112	702x392x18
MTA.203	799x414x18
MTA.302	371x365x18
MTA.404	762x372x18
MTA.504	613x371x18
MTA.903	701x762x18
MTA.901	762x70x18
MTA.707	626x395x16
MTA.708	467x395x16
MTA.704	156x395x16
MTA.603	335x348x2,5
WST.0134	350x100x12
WST.0164	350x100x12
WST.0132	324x100x12





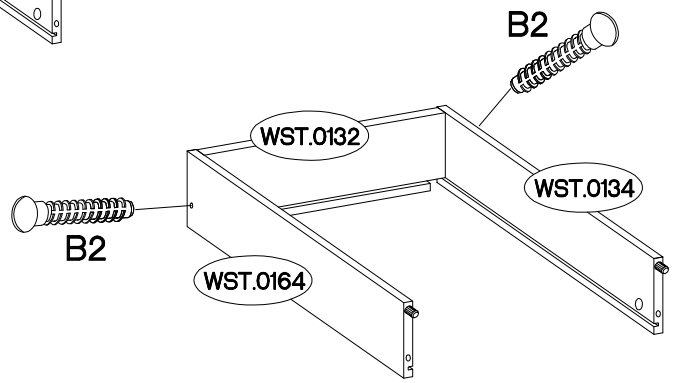
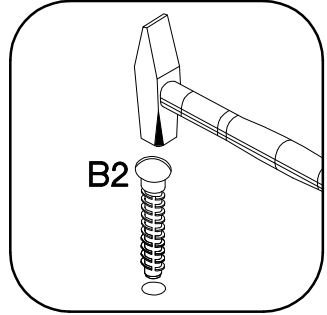
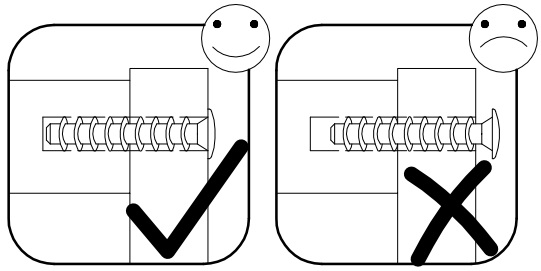
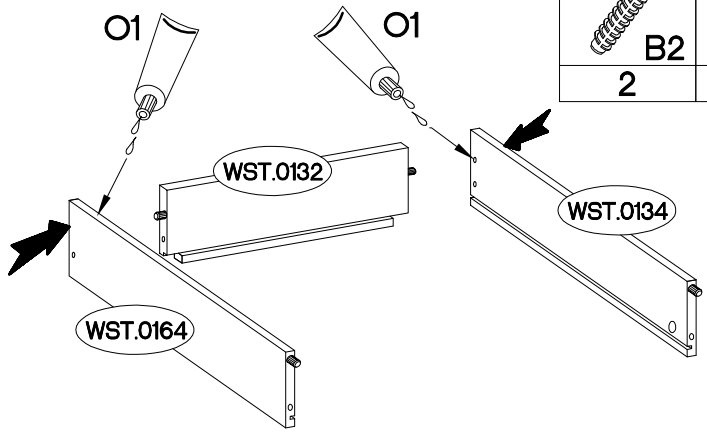
1

±12/10mm  C5 2	±8x30mm  A 4	 O1 1
---	---	---

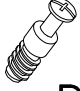


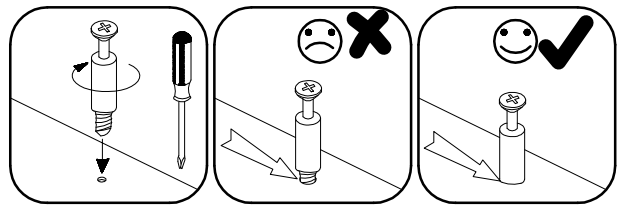
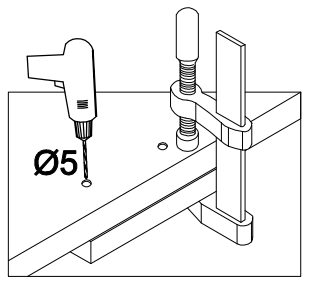
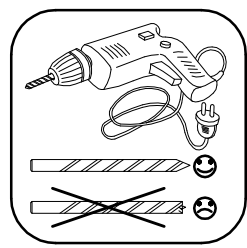
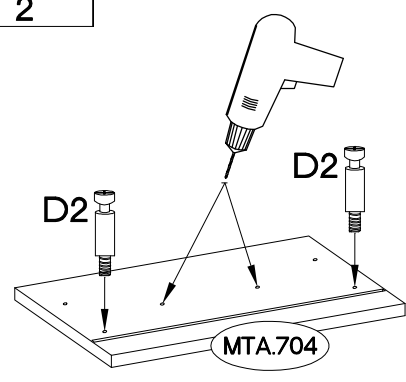
2

±6x42mm  B2 2	 O1 1
---	--

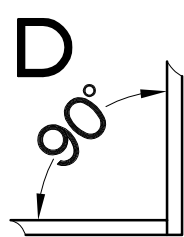
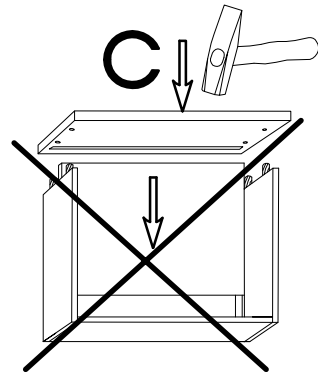
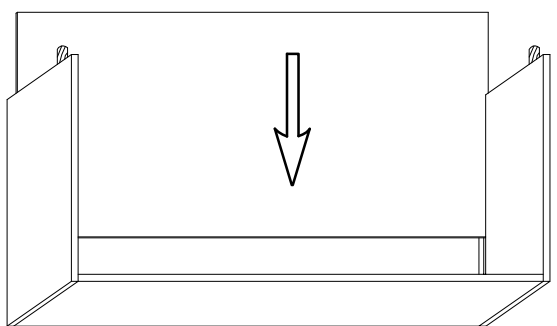
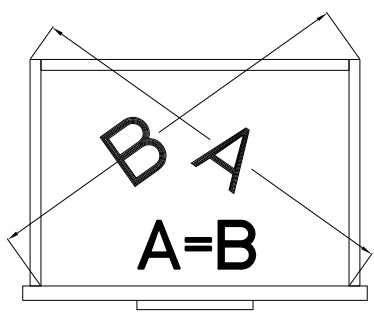
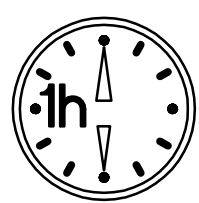
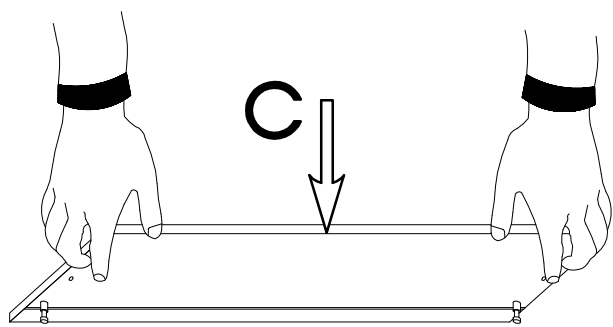
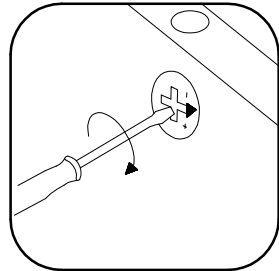
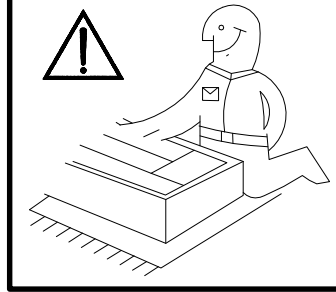
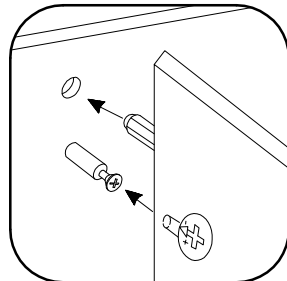
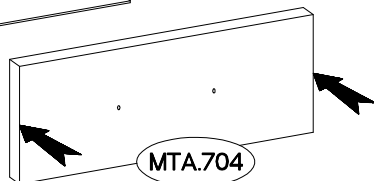
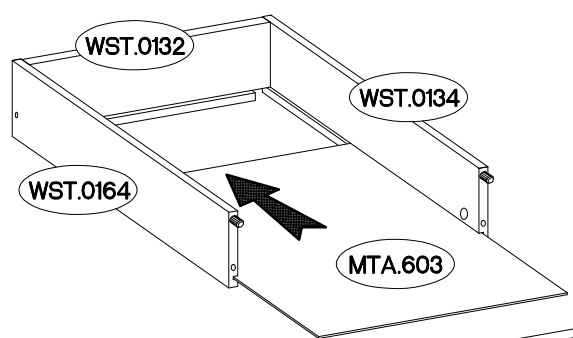


3

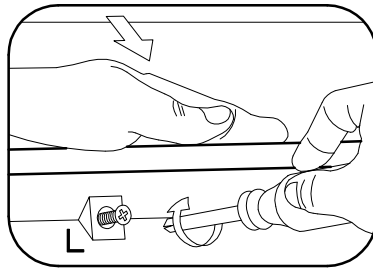
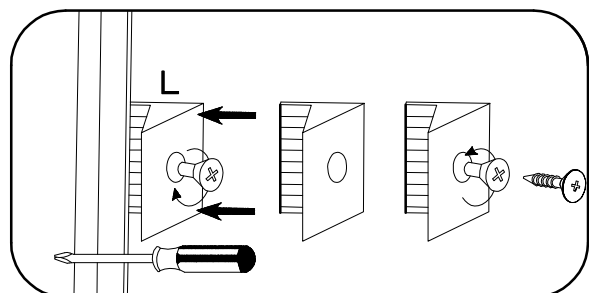
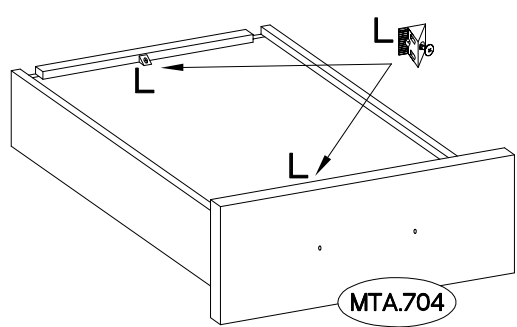
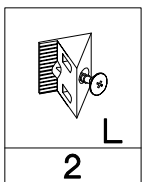
L=20mm  D2 2
--



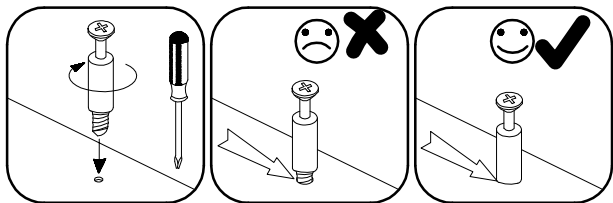
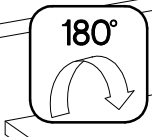
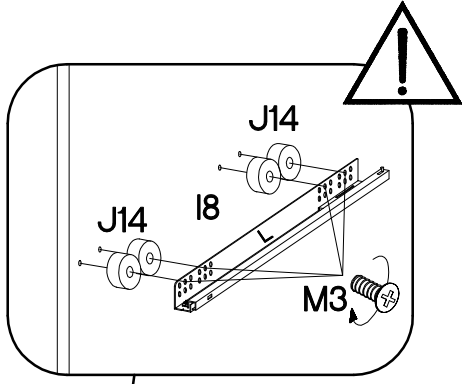
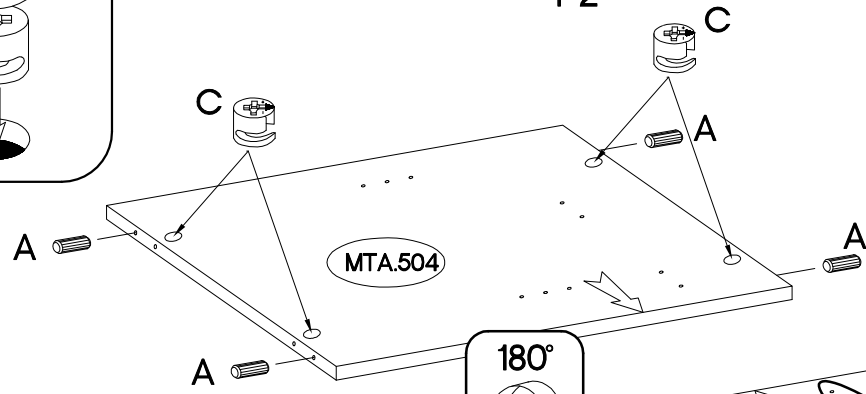
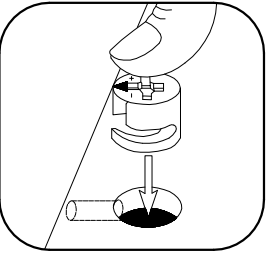
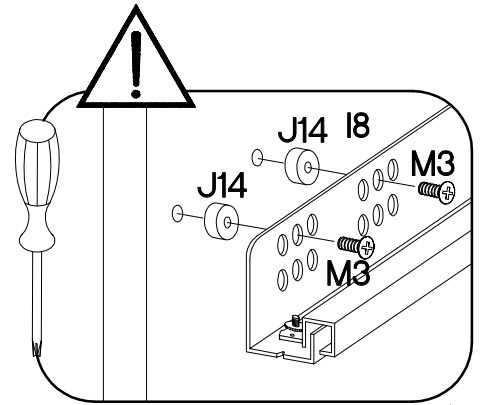
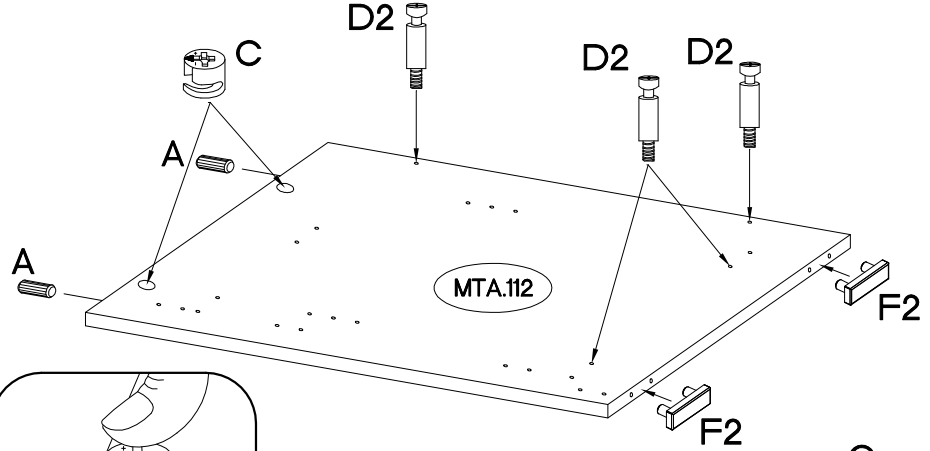
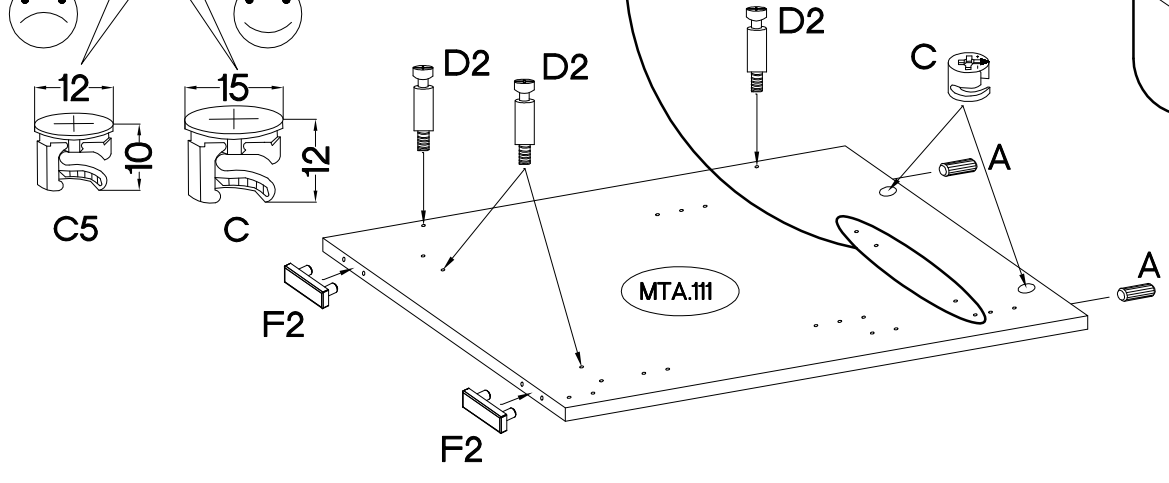
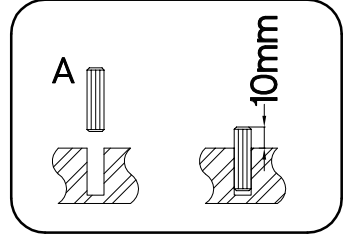
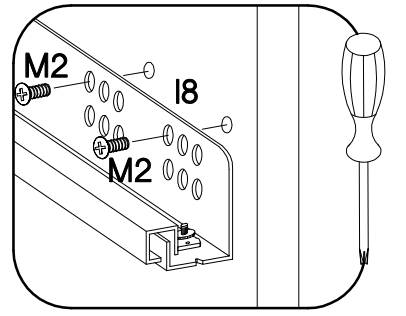
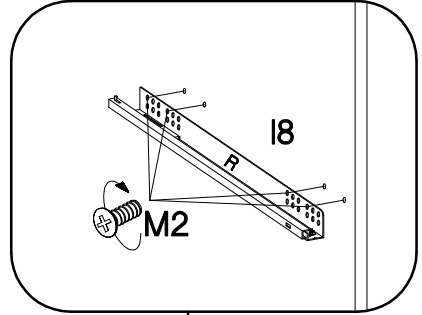
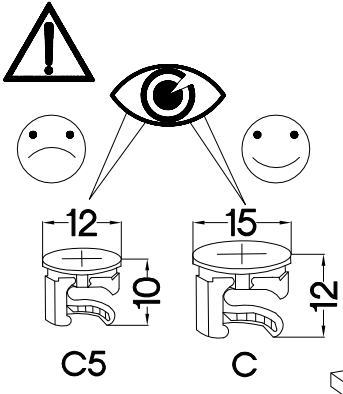
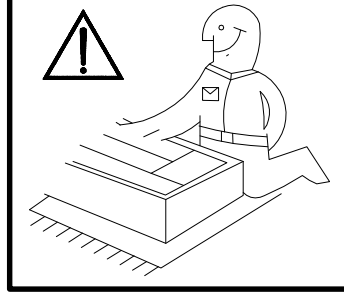
4



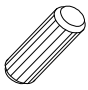


5

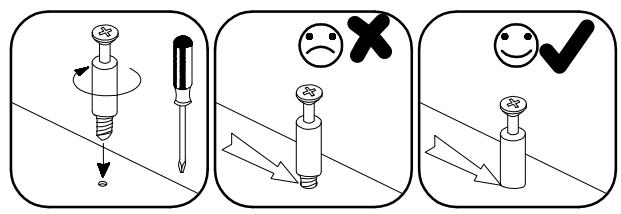
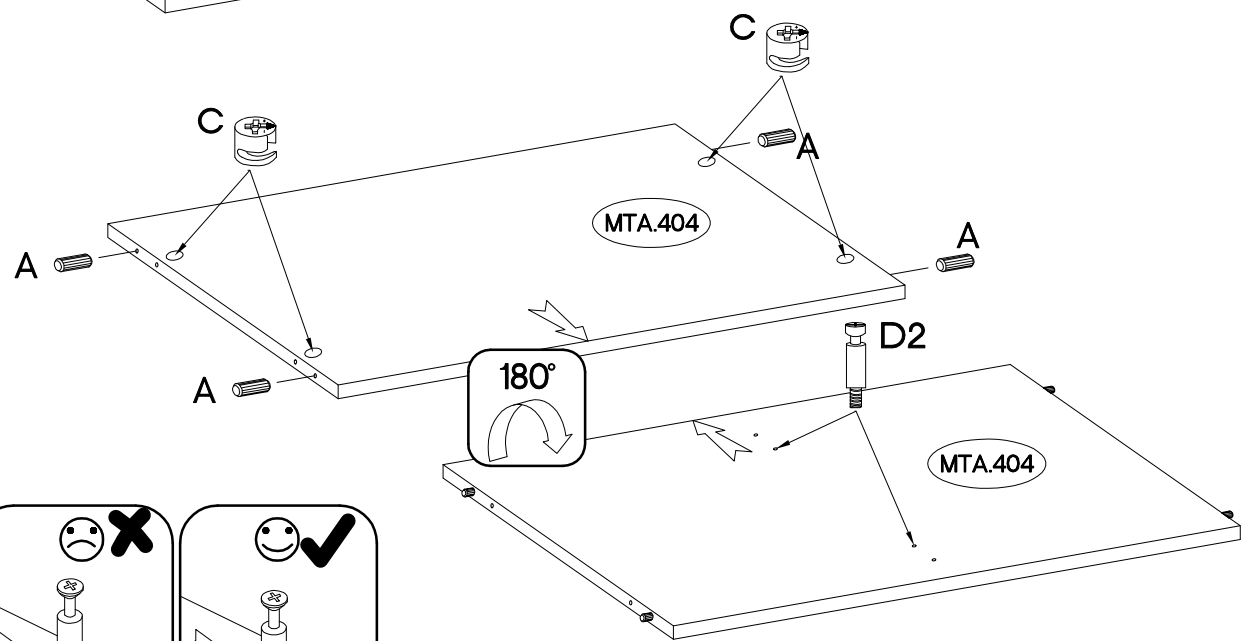
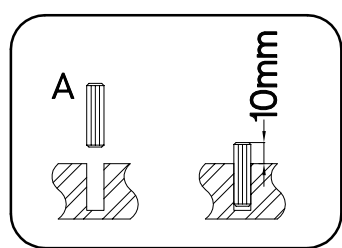
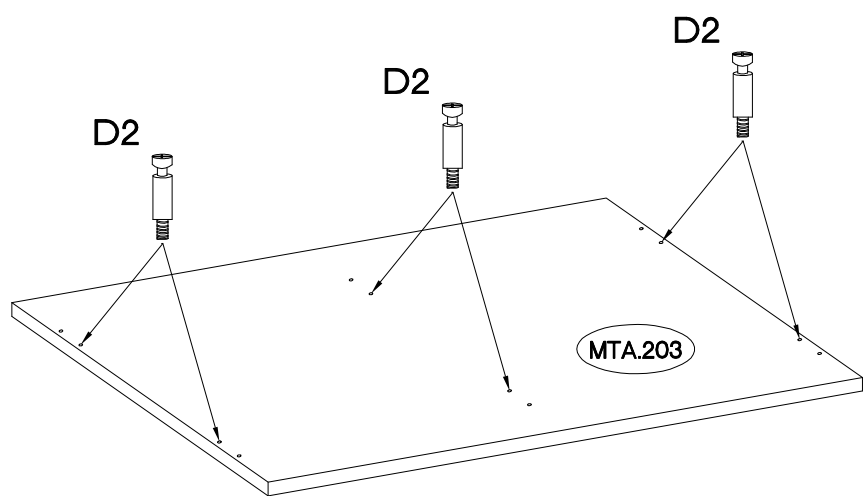
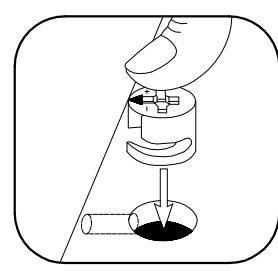
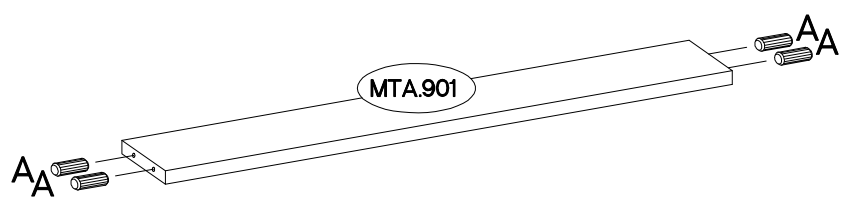
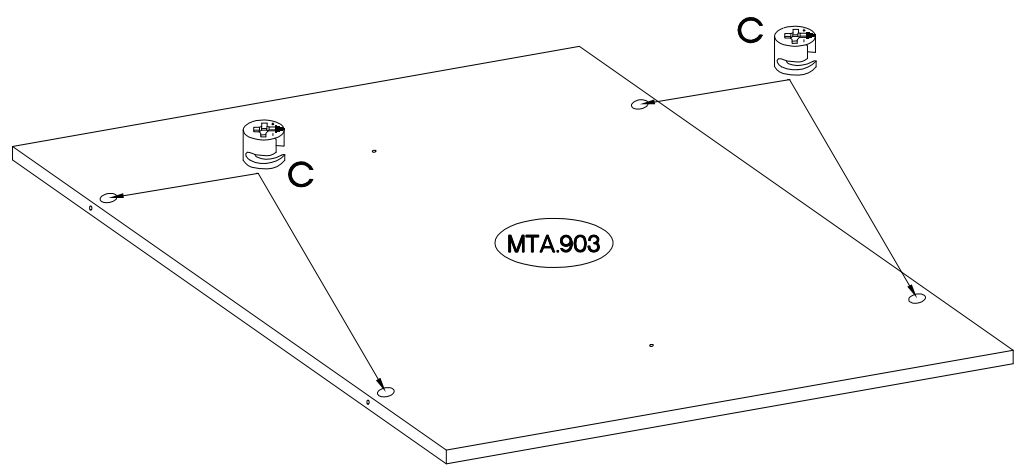
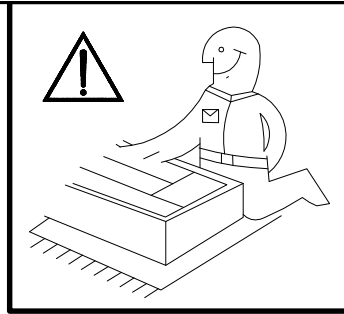


$\pm 8 \times 30 \text{mm}$ A 8	$6.5 \times 48 \times 16$ F2 4	$L=20 \text{mm}$ D2 8	$\pm 15/12 \text{mm}$ C 8	[CD] L=350mm 1	$\pm 20/8 \text{mm}$ J14 4
$\pm 6.3 \times 13 \text{mm}$ M2 4	$\pm 6.3 \times 20 \text{mm}$ M3 4				

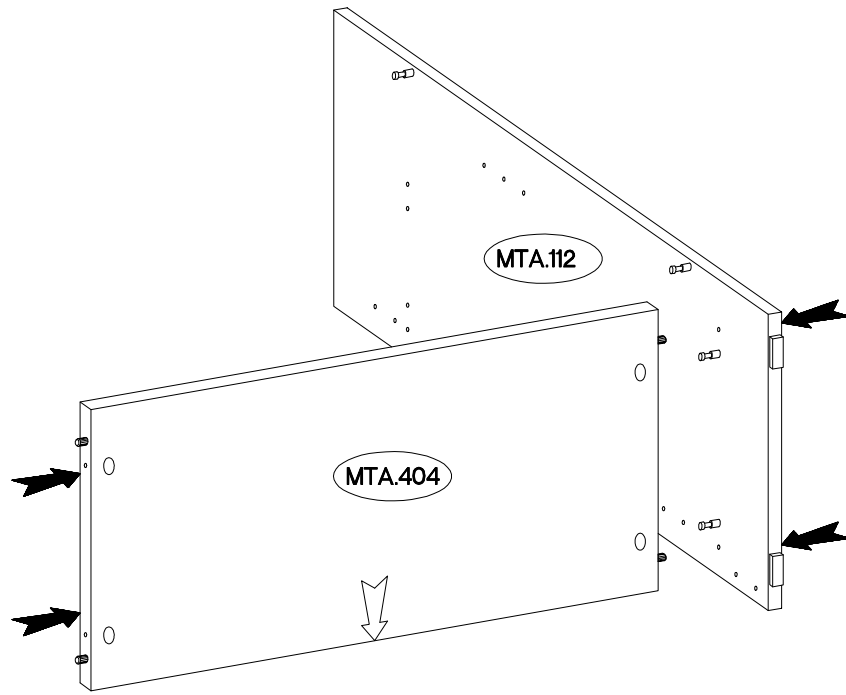
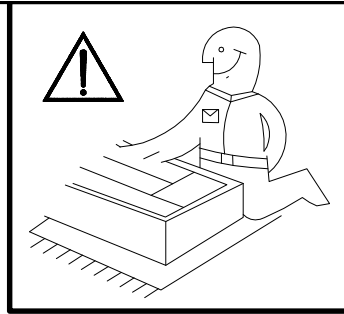


7

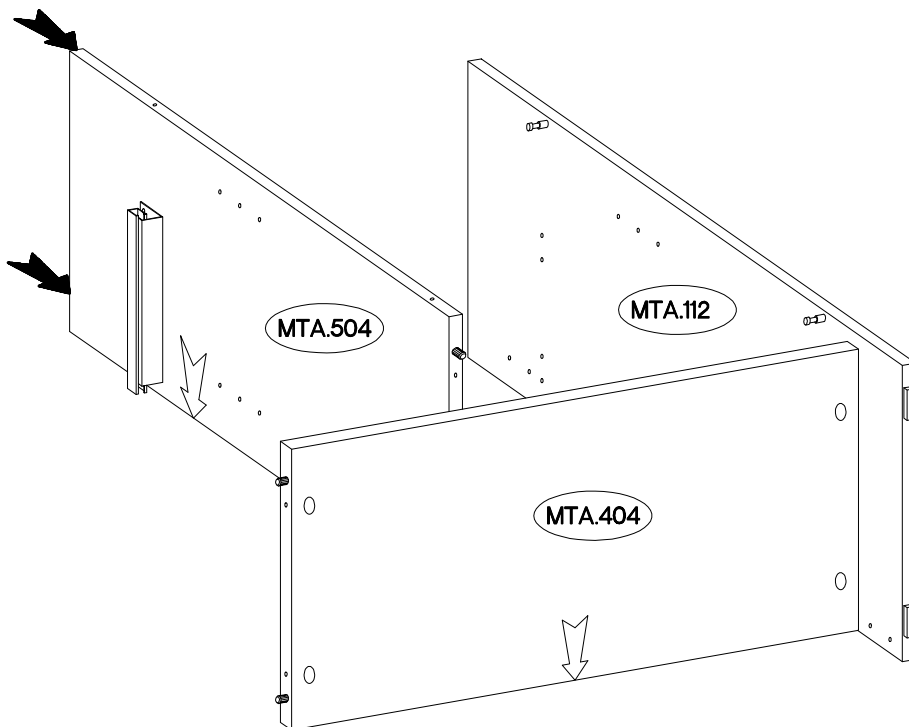
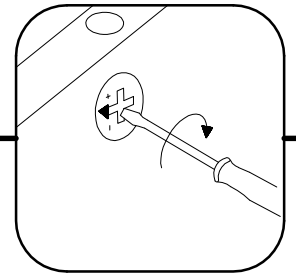
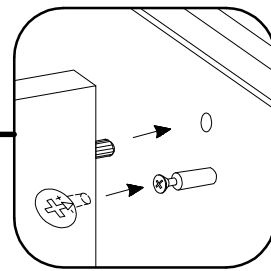
$\varnothing 8 \times 30 \text{mm}$  A 8	$\varnothing 15 / 12 \text{mm}$  C 8	L=20mm  D2 8
---	---	---

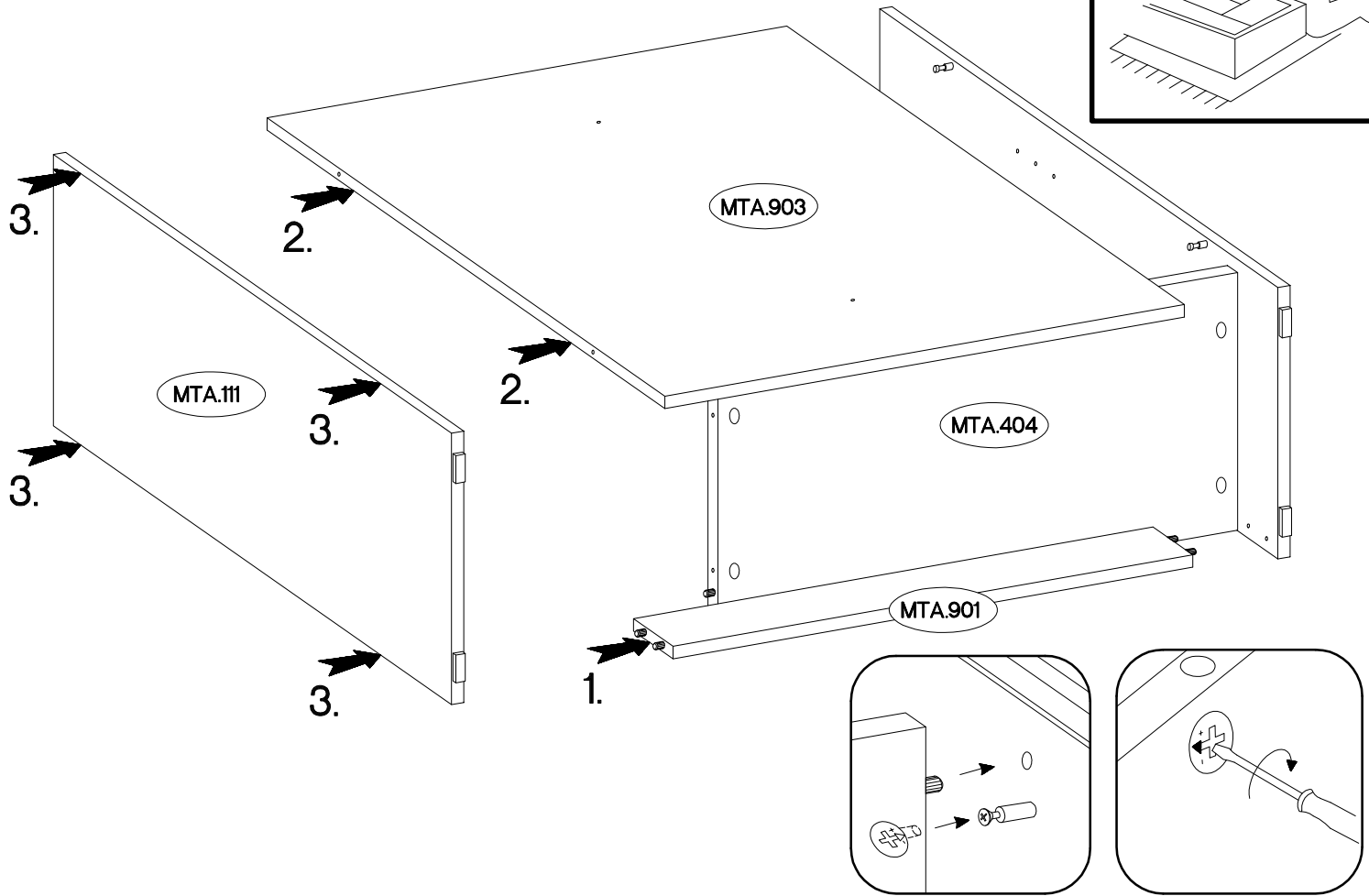
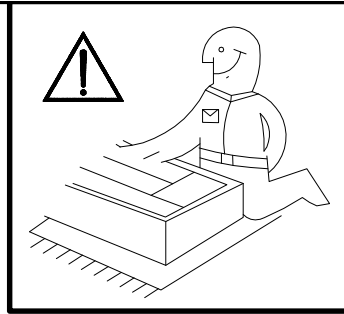


8

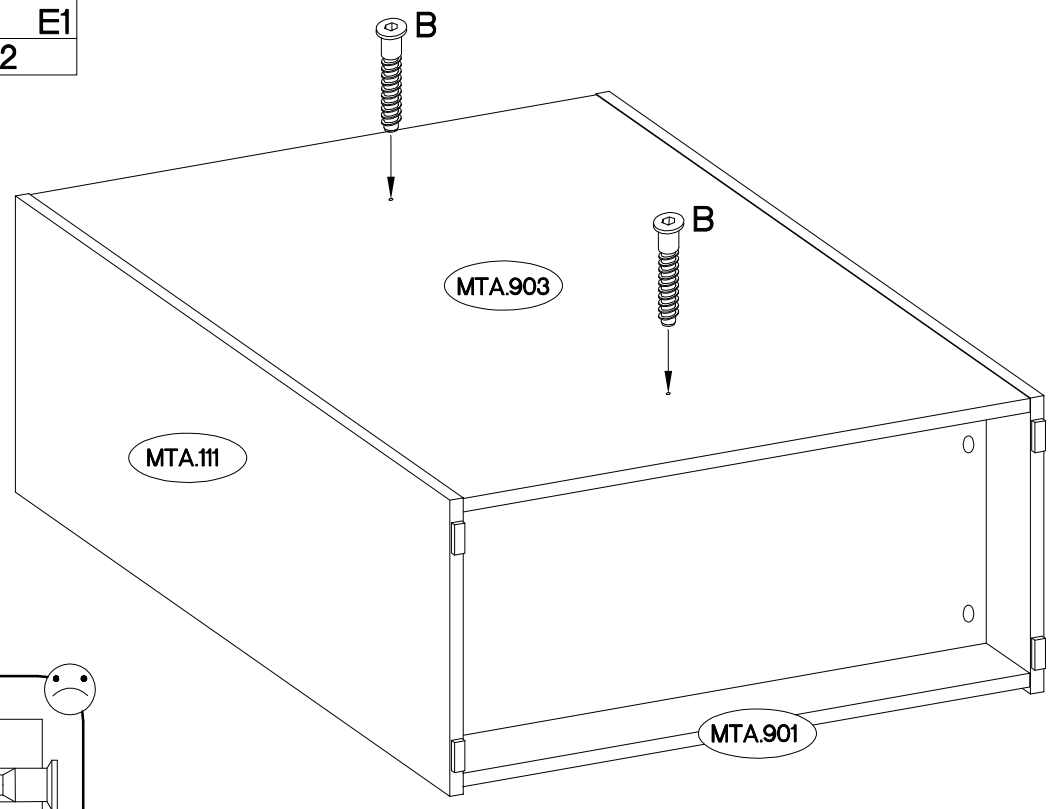
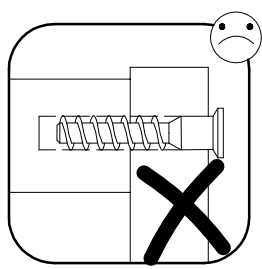
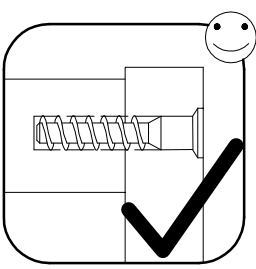
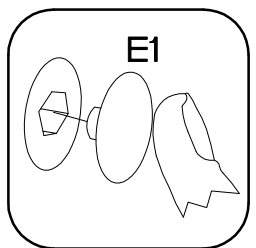
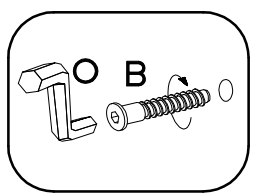


9

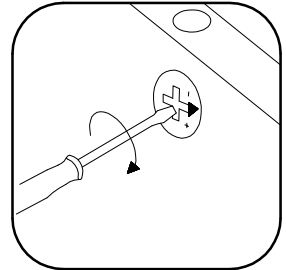
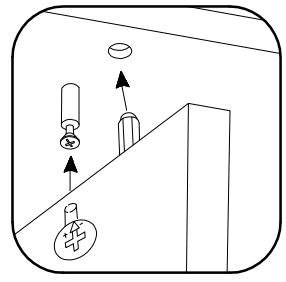
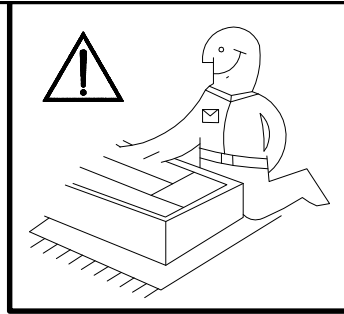
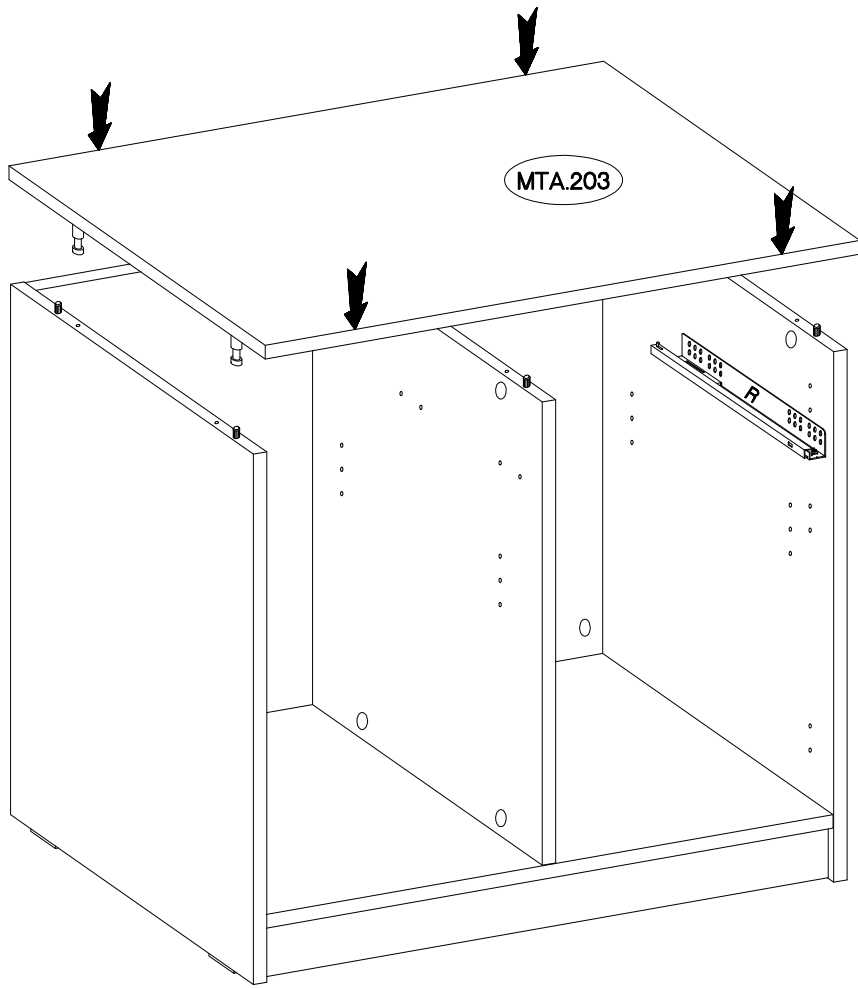




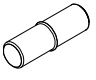
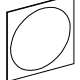
6,4 x 50mm		
2	1	2

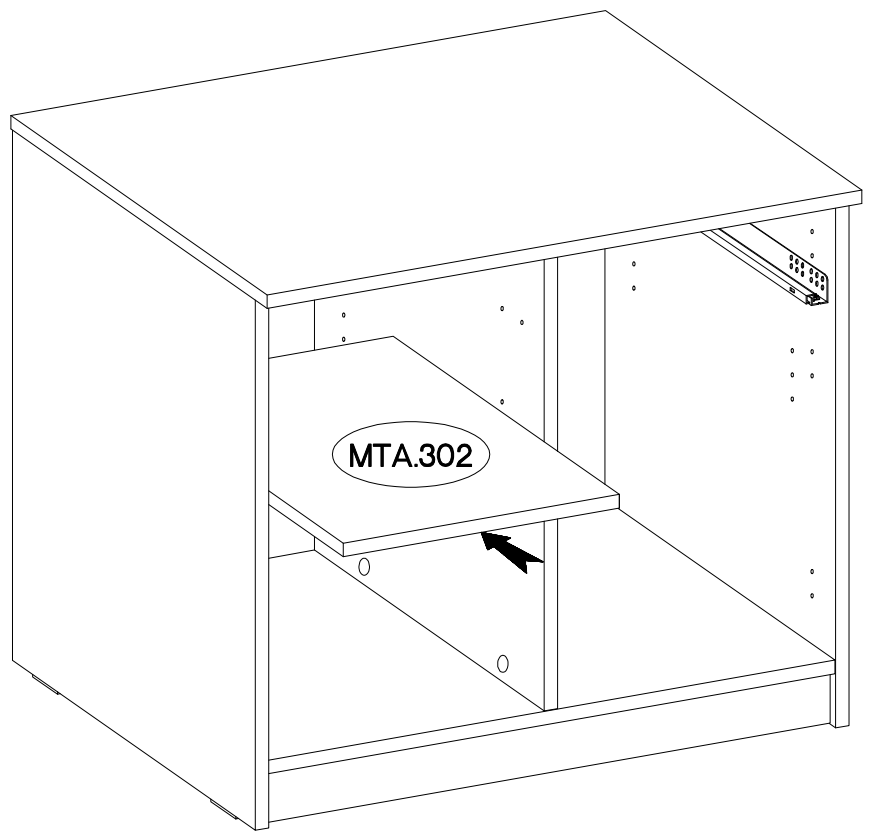
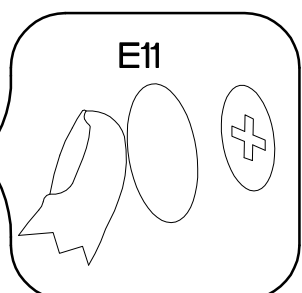
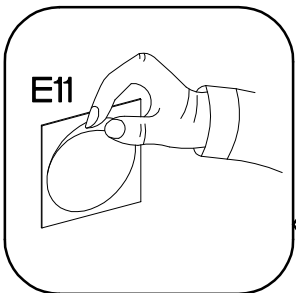
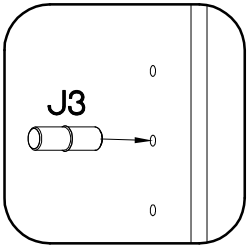





12

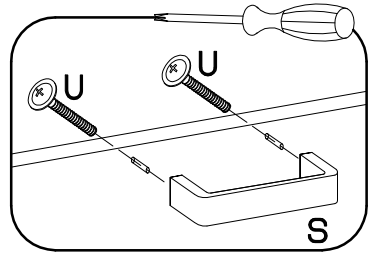
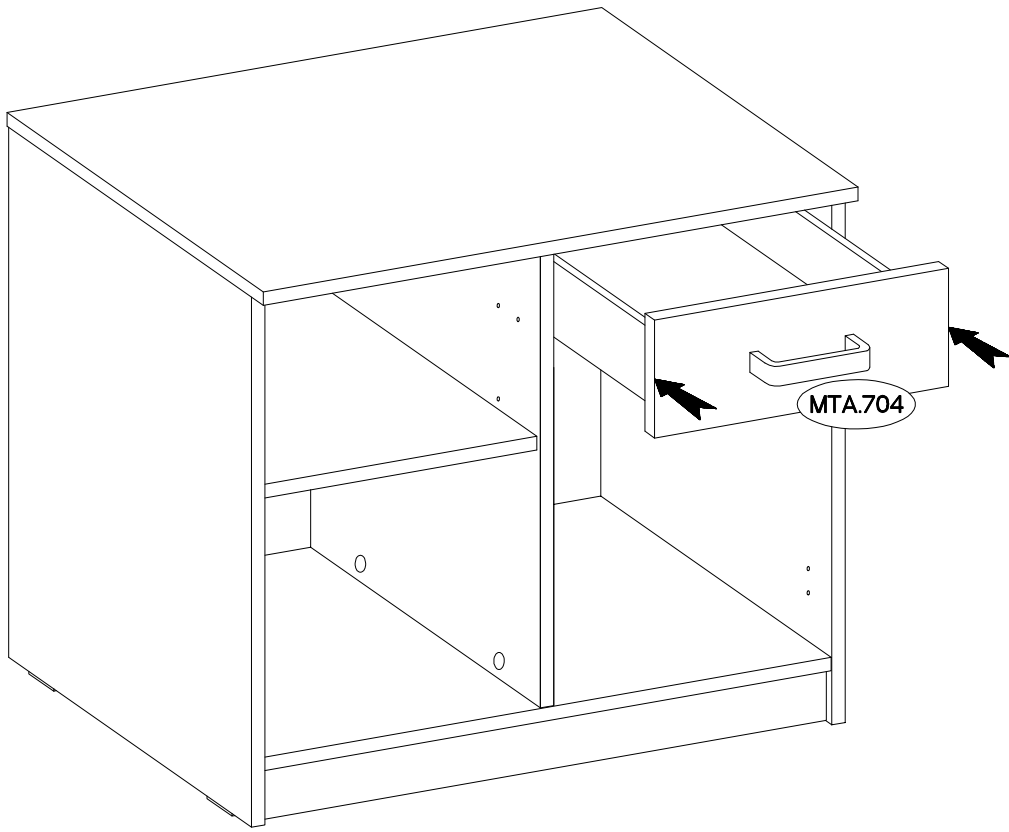


13

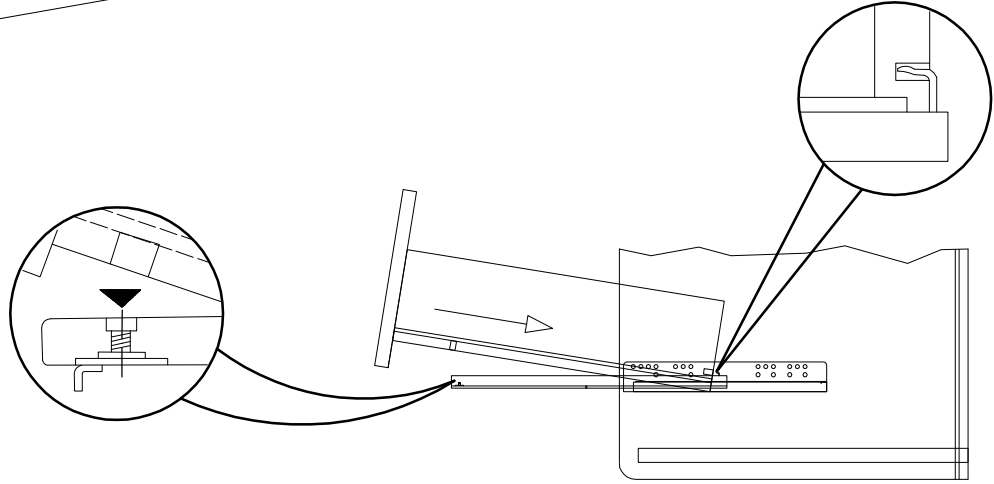
±5/16mm  J3 4	±20  E11 10
---	---



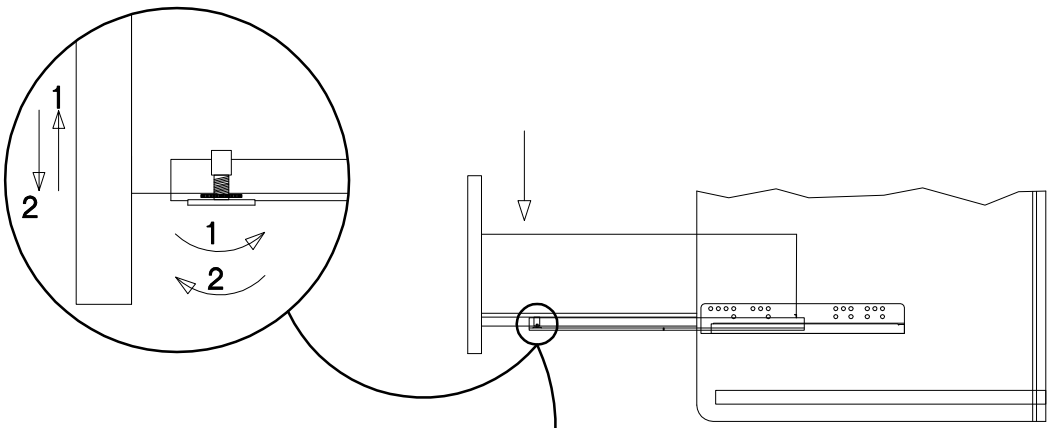
±3.0x20mm  P7 2	L=128mm  S 1	M4x22mm  U 2
--	---	---



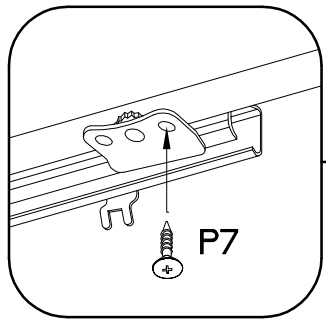
1.

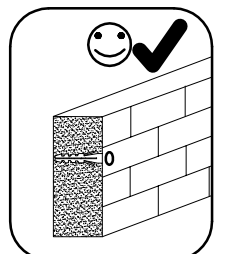
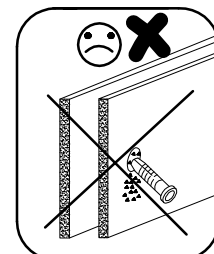
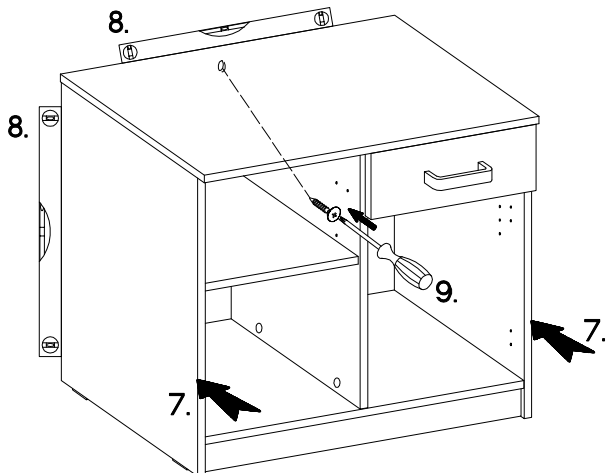
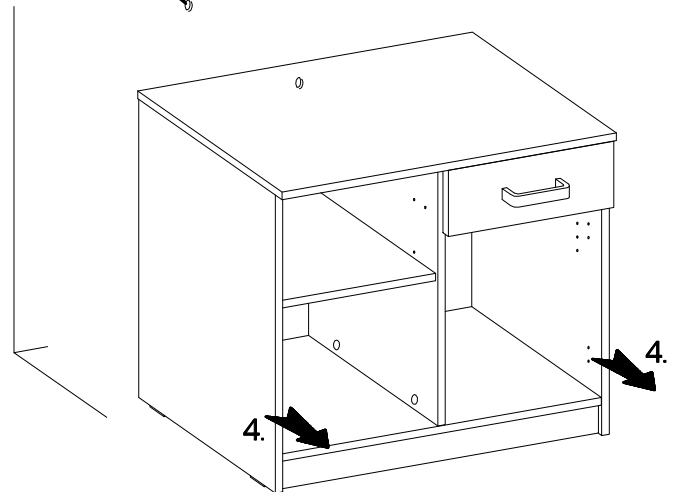
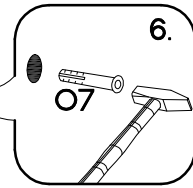
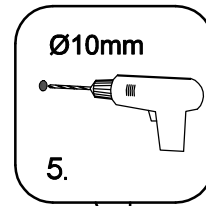
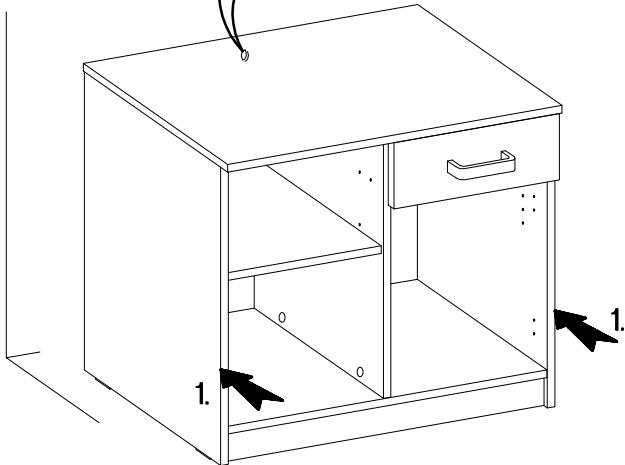
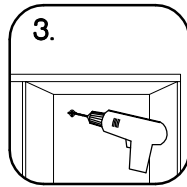
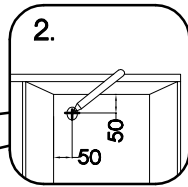
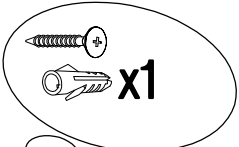
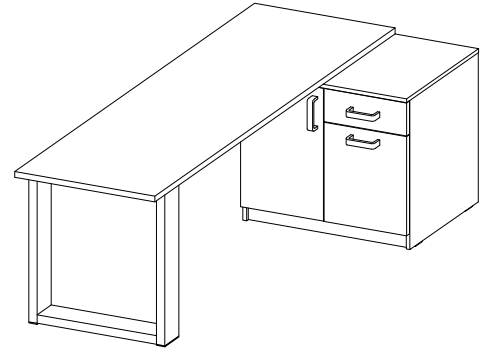
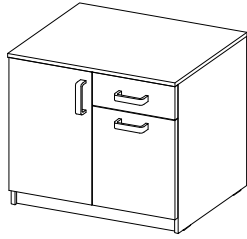


2.



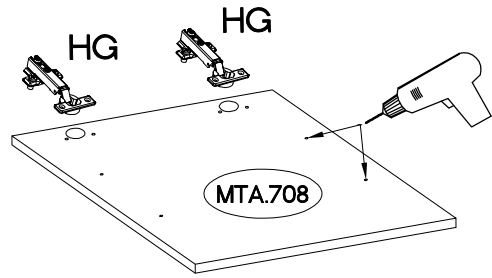
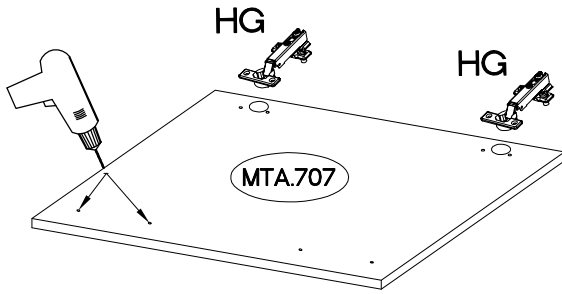
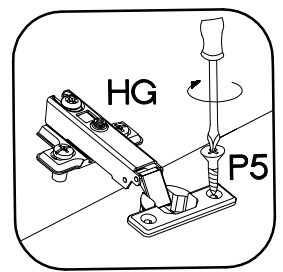
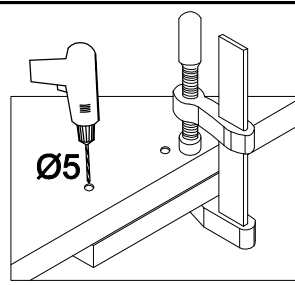
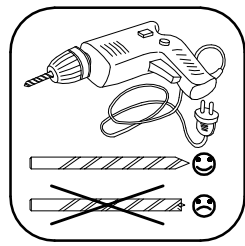
3.





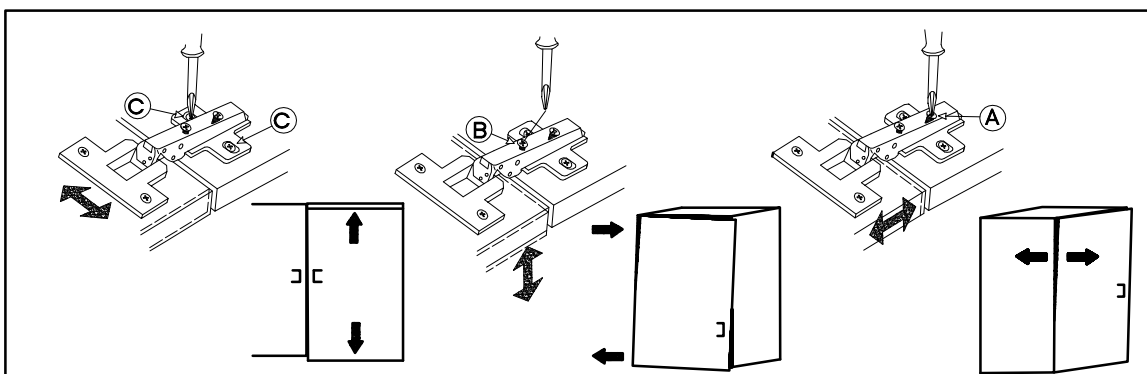
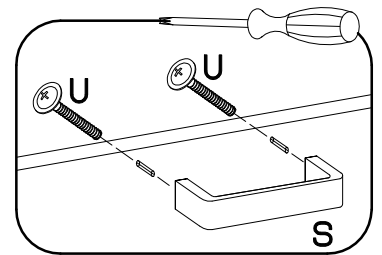
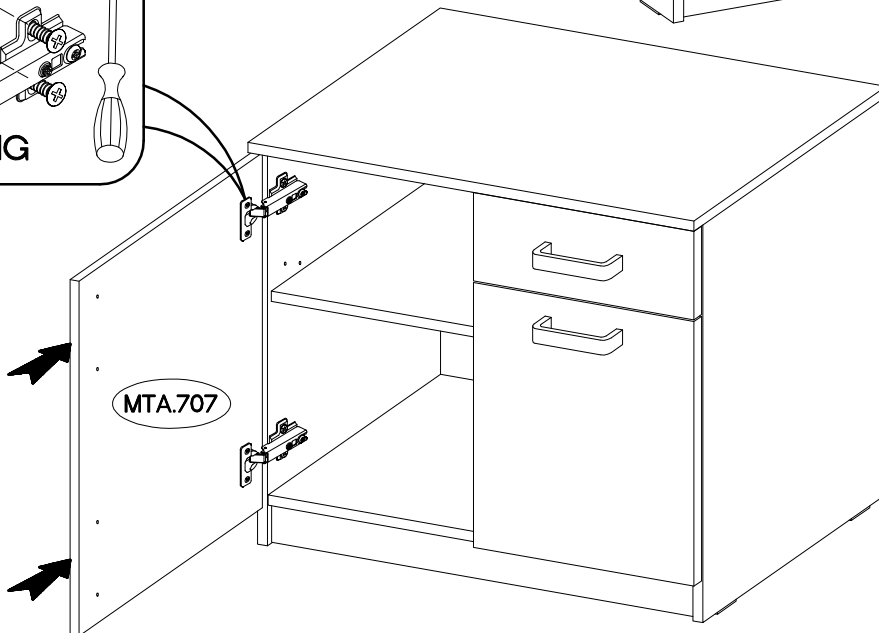
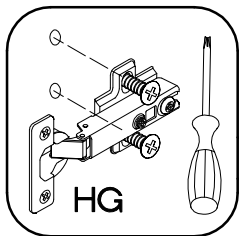
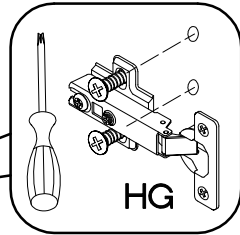
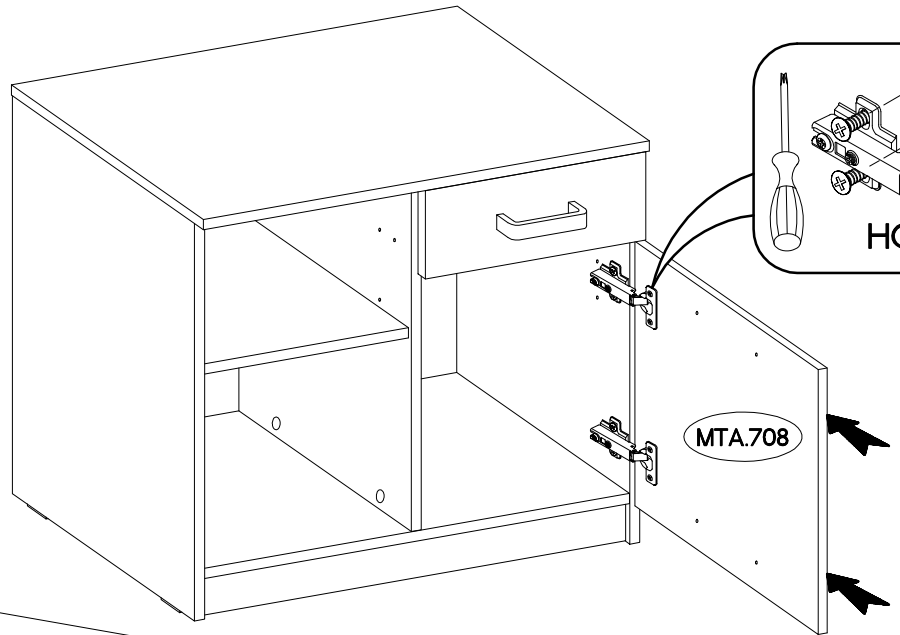
16





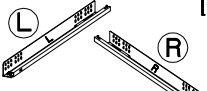



±35/0mm HG 4	±3.5x13mm P5 8
--------------------	----------------------

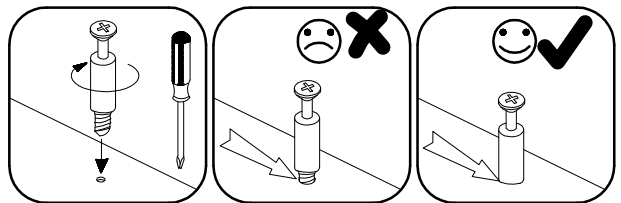
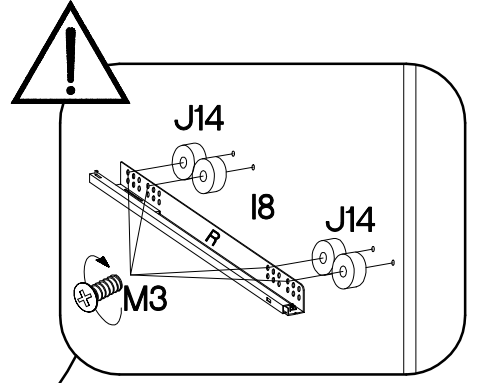
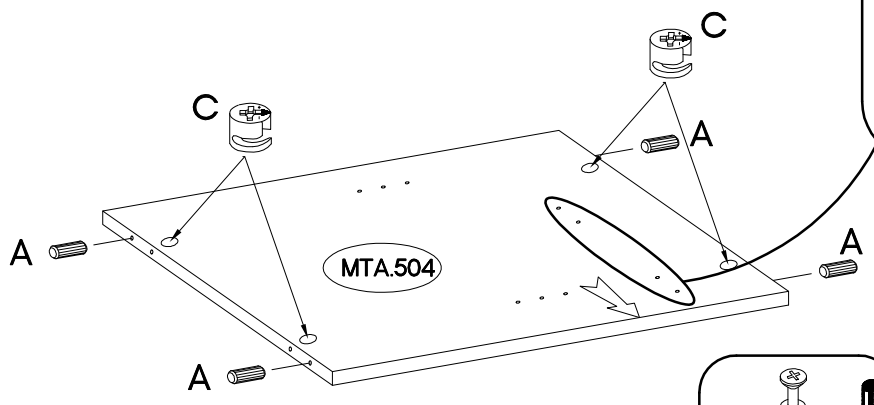
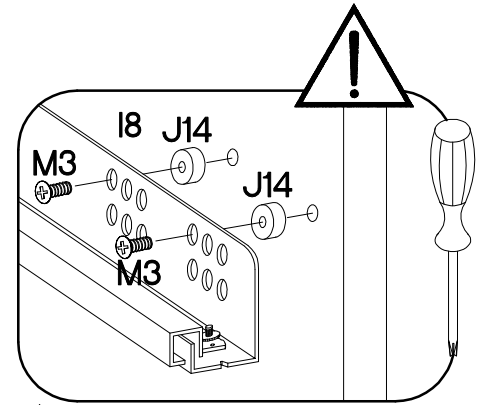
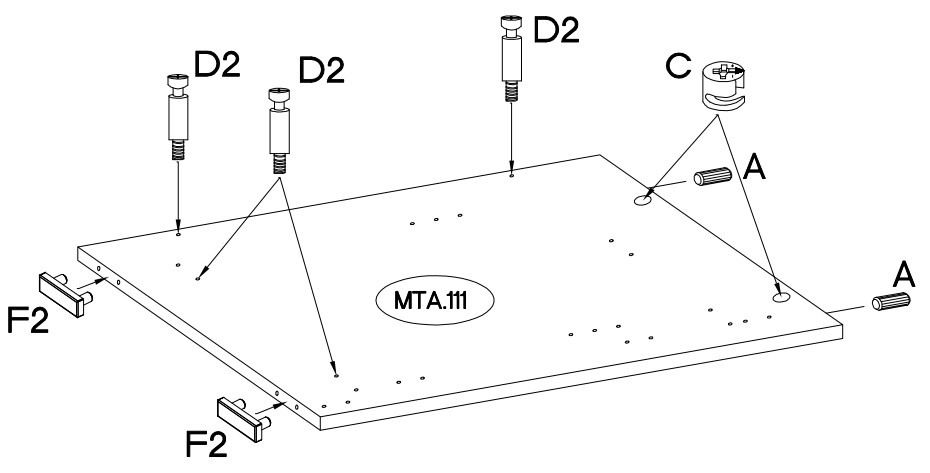
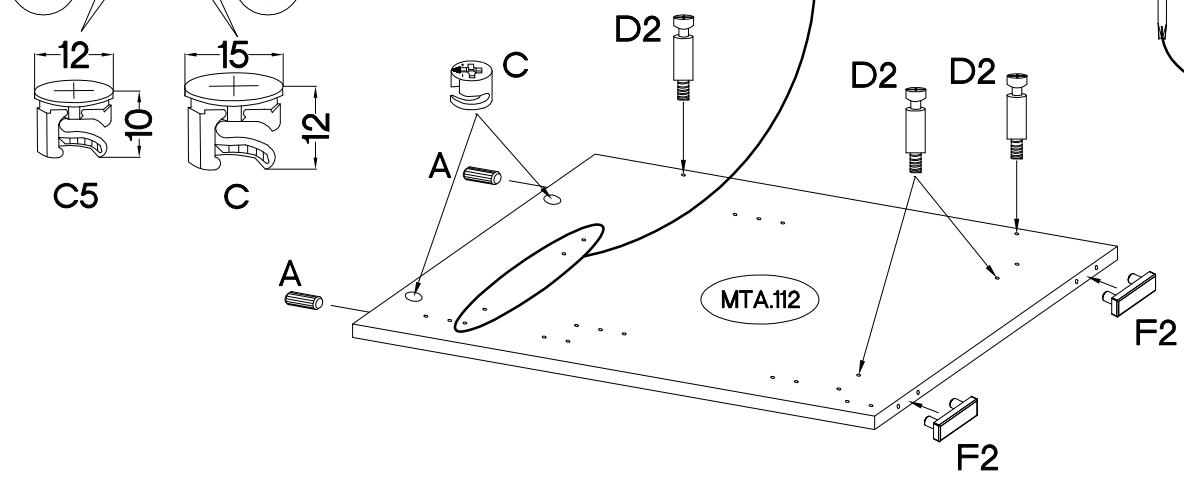
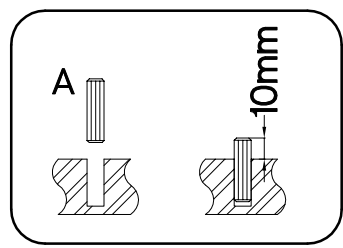
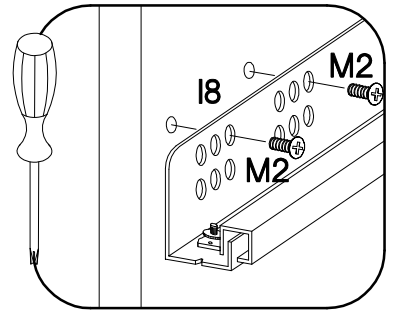
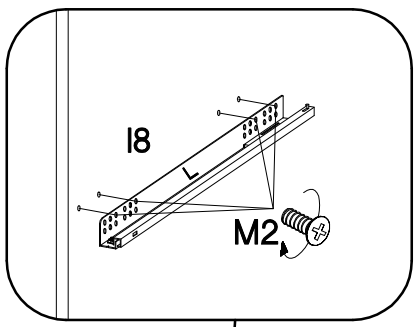
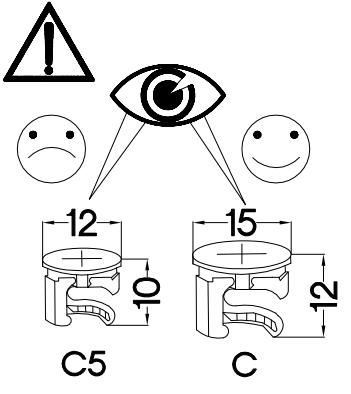
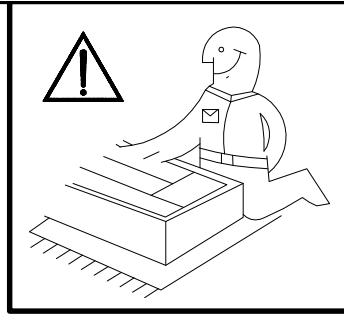





17

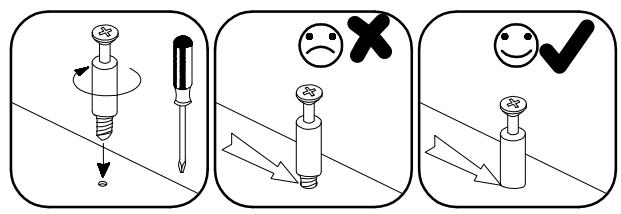
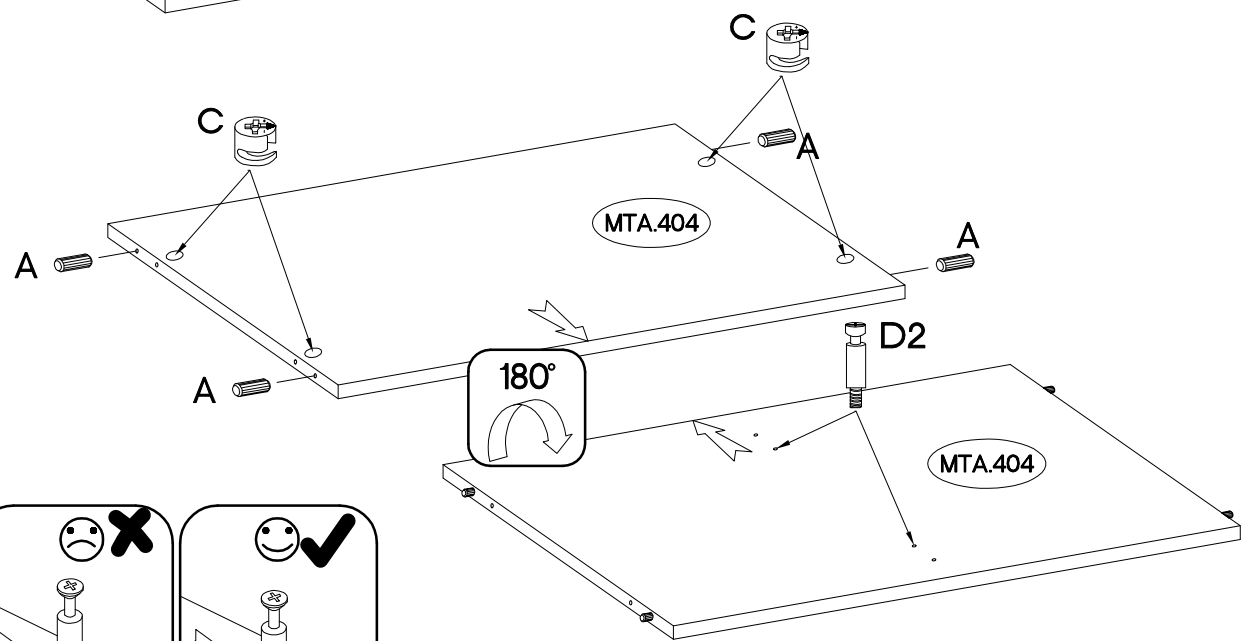
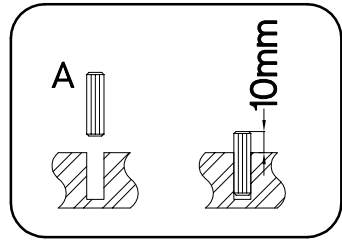
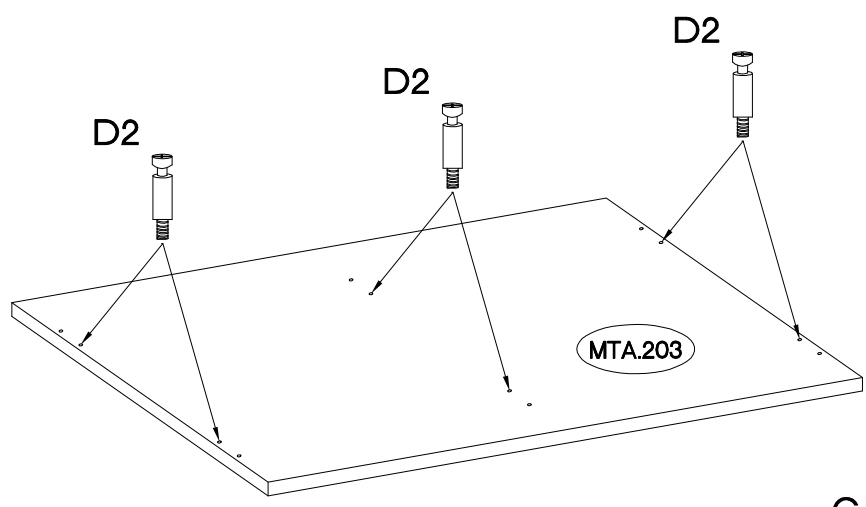
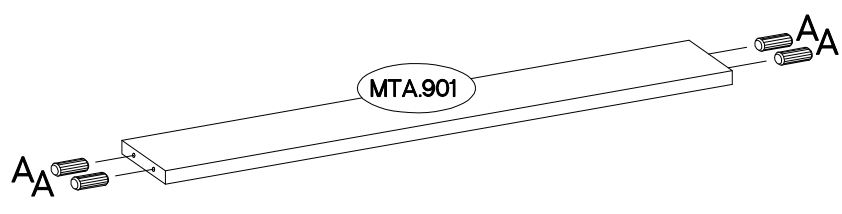
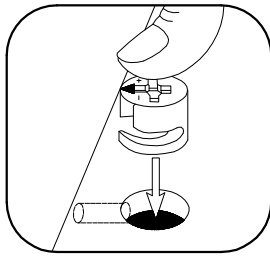
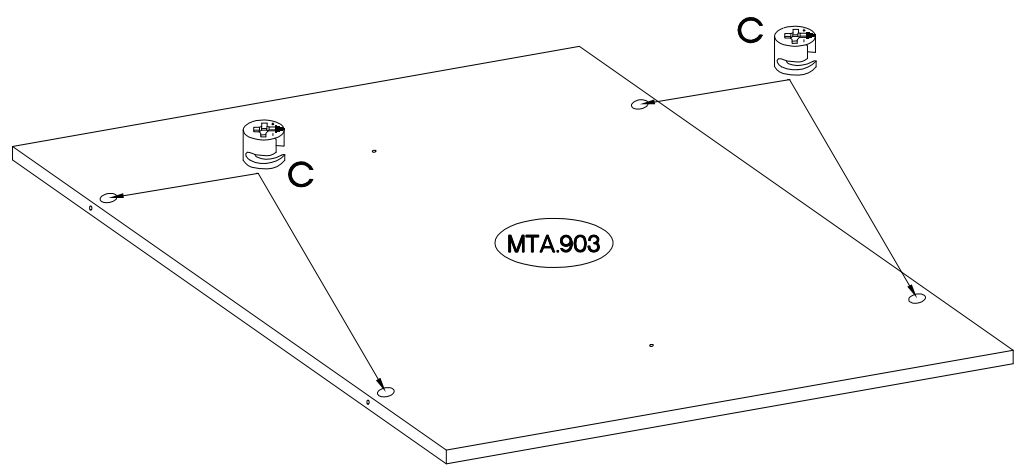
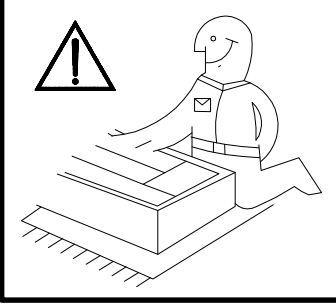
L=128mm S 2	M4x22mm U 4
-------------------	-------------------



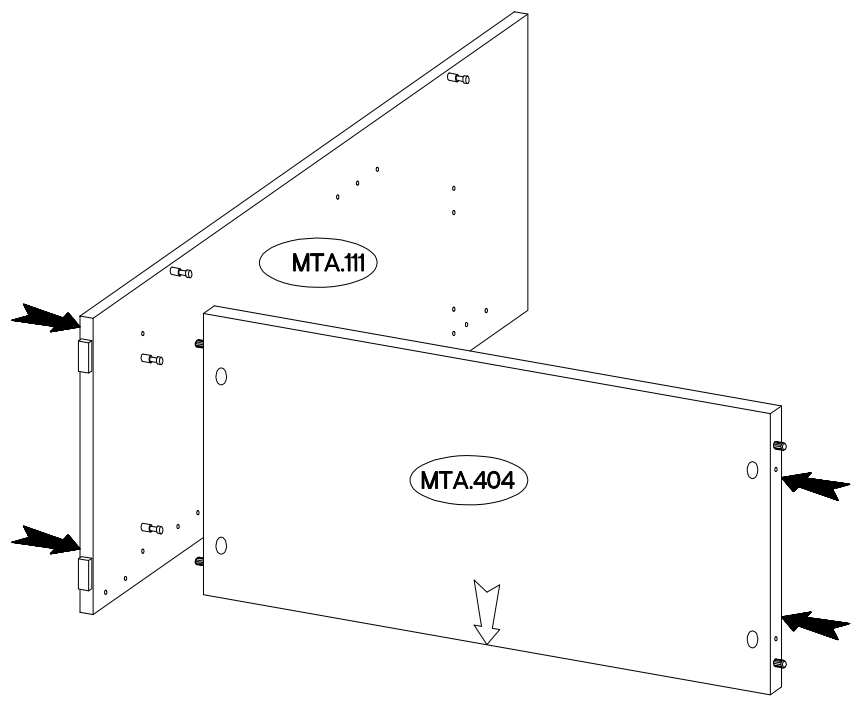
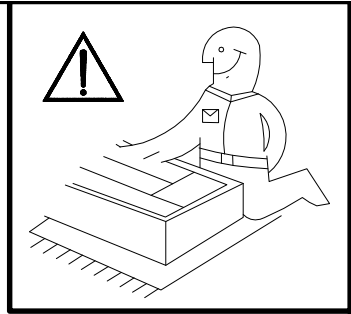
$\varnothing 8 \times 30 \text{mm}$  8 4	$6.5 \times 48 \times 16$  F2 4	$L=20 \text{mm}$  D2 8	$\varnothing 15/12 \text{mm}$  C 8	$L=350 \text{mm}$  I8 1	[CD]  J14 4
$\varnothing 6.3 \times 13 \text{mm}$  M2 4	$\varnothing 6.3 \times 20 \text{mm}$  M3 4				



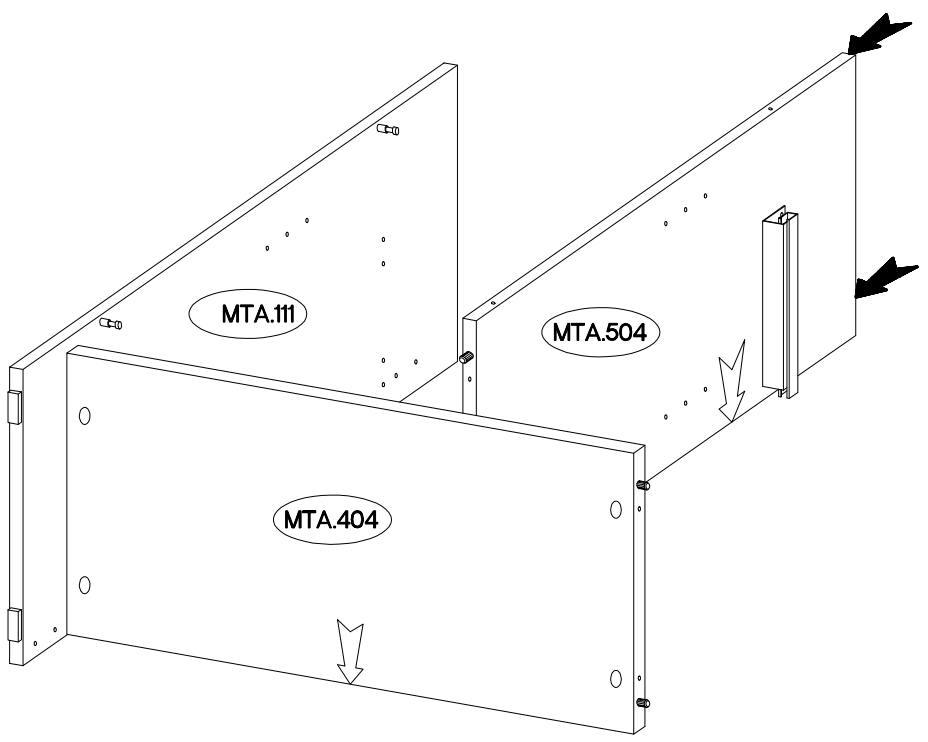
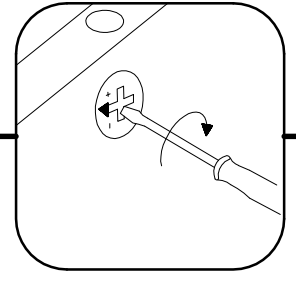
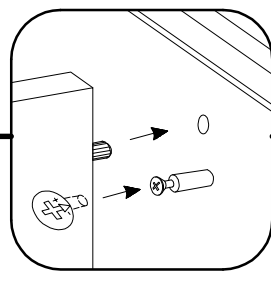
 <p>‡8x30mm A</p>	 <p>‡15/12mm C</p>	 <p>L=20mm D2</p>
8	8	8



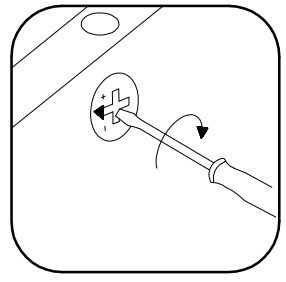
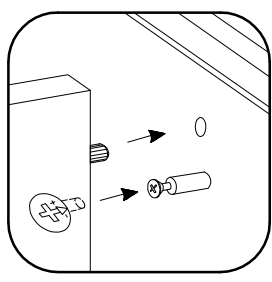
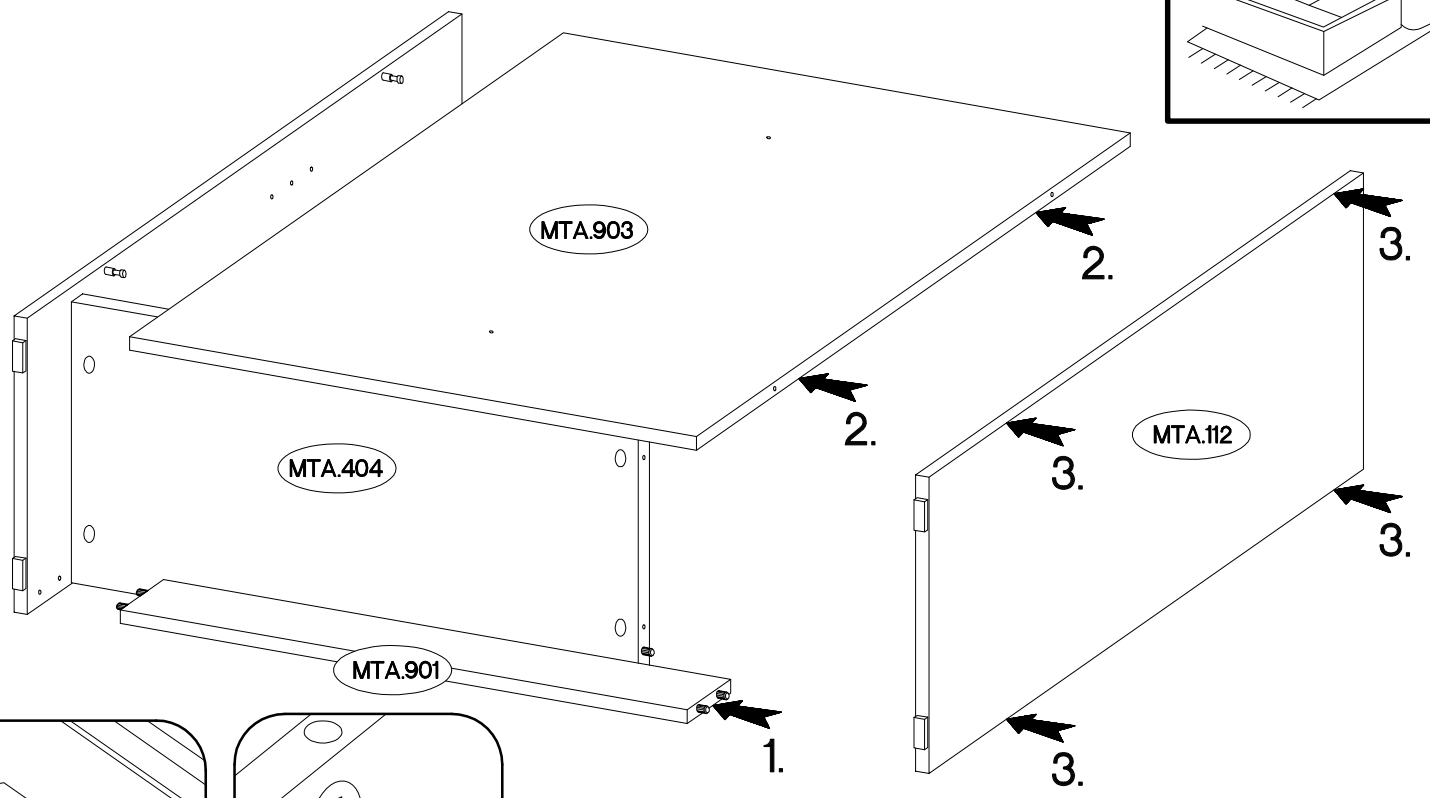
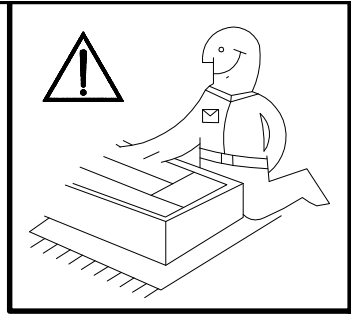
20



21

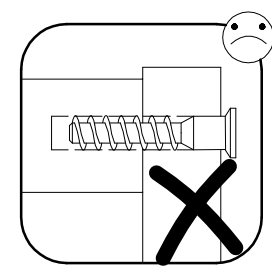
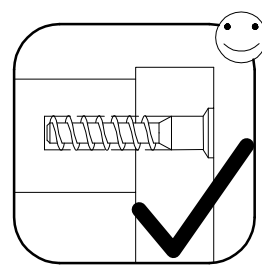
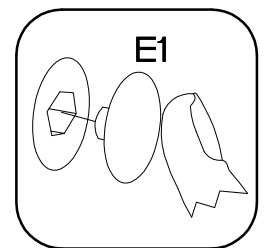
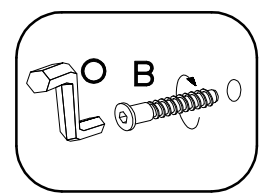
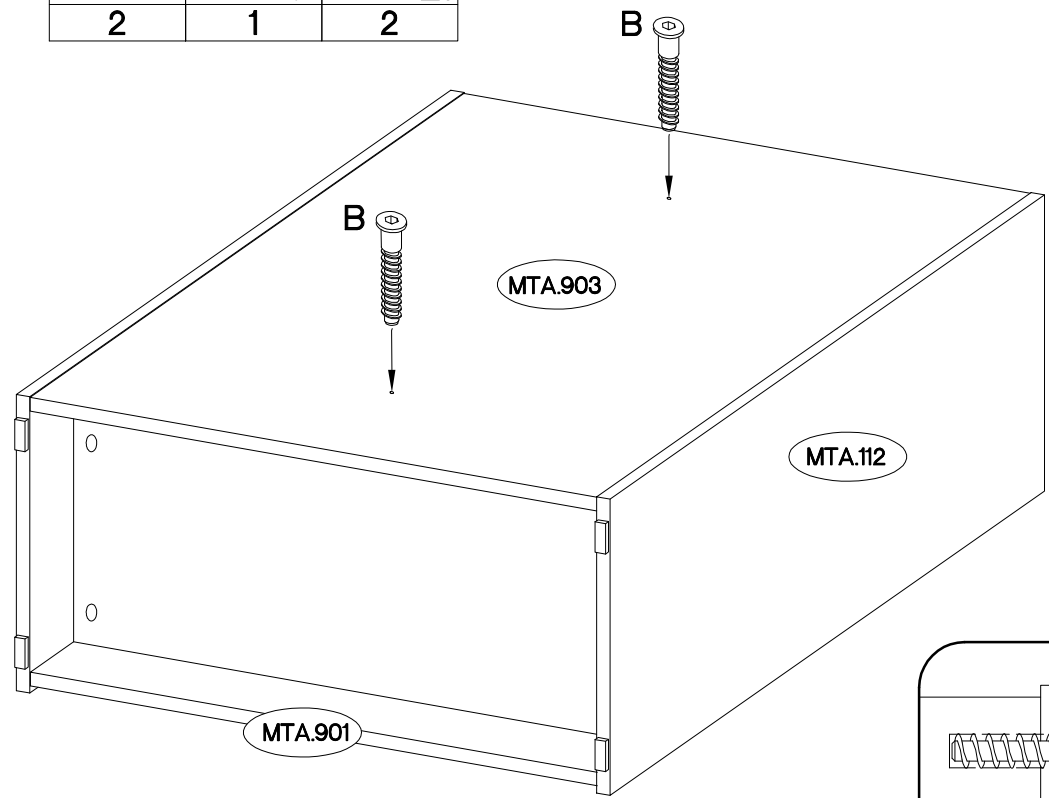


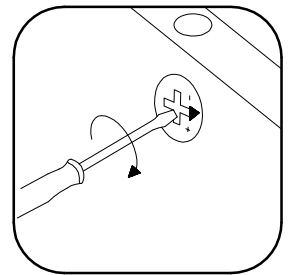
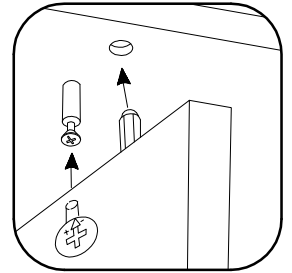
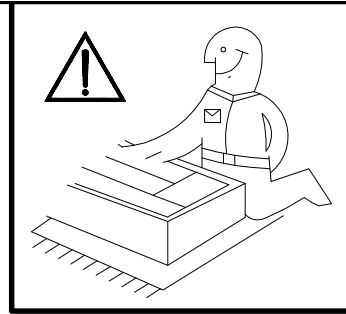
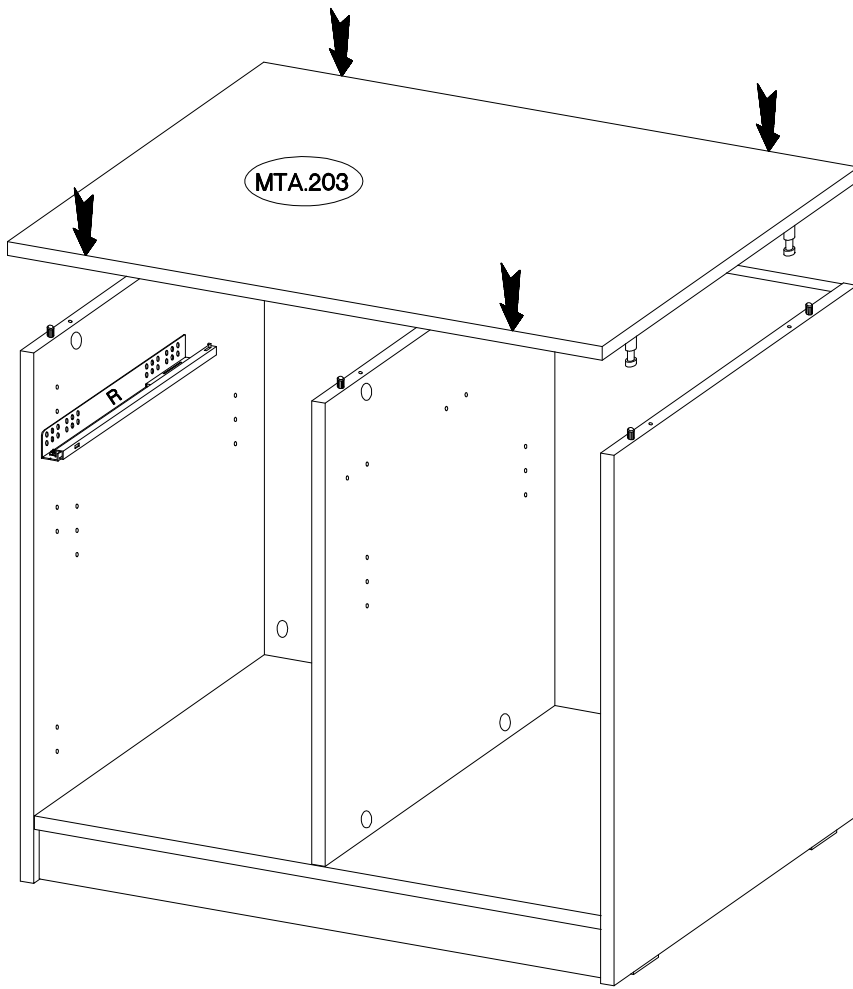
22

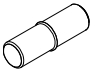
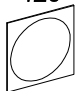


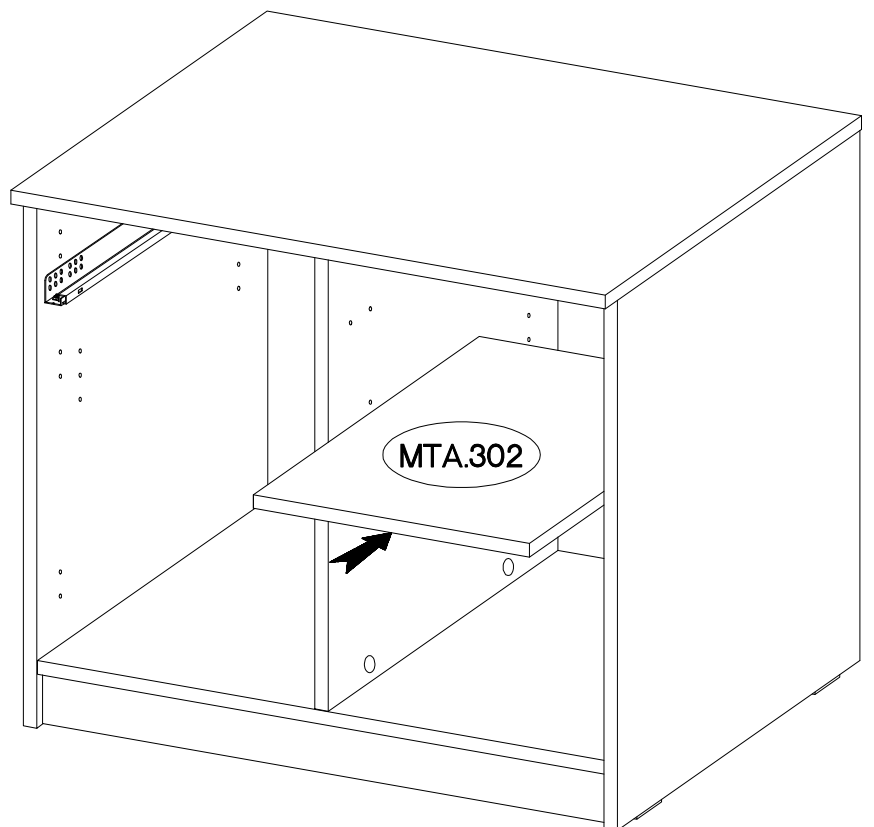
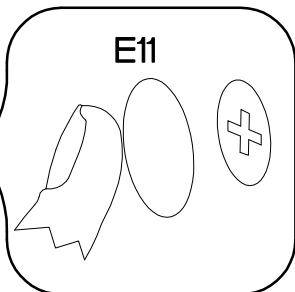
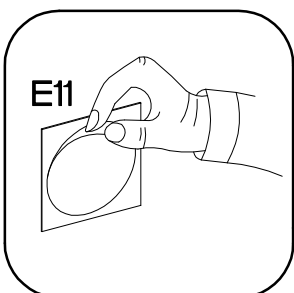
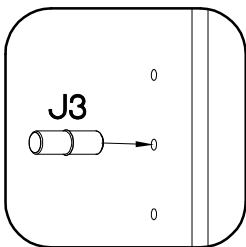
23




6,4 x 50mm			
	B	O	E1
	2	1	2

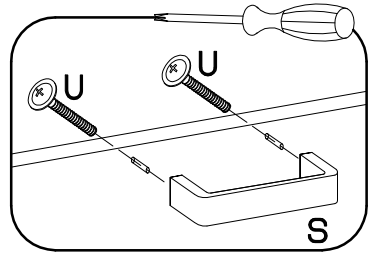
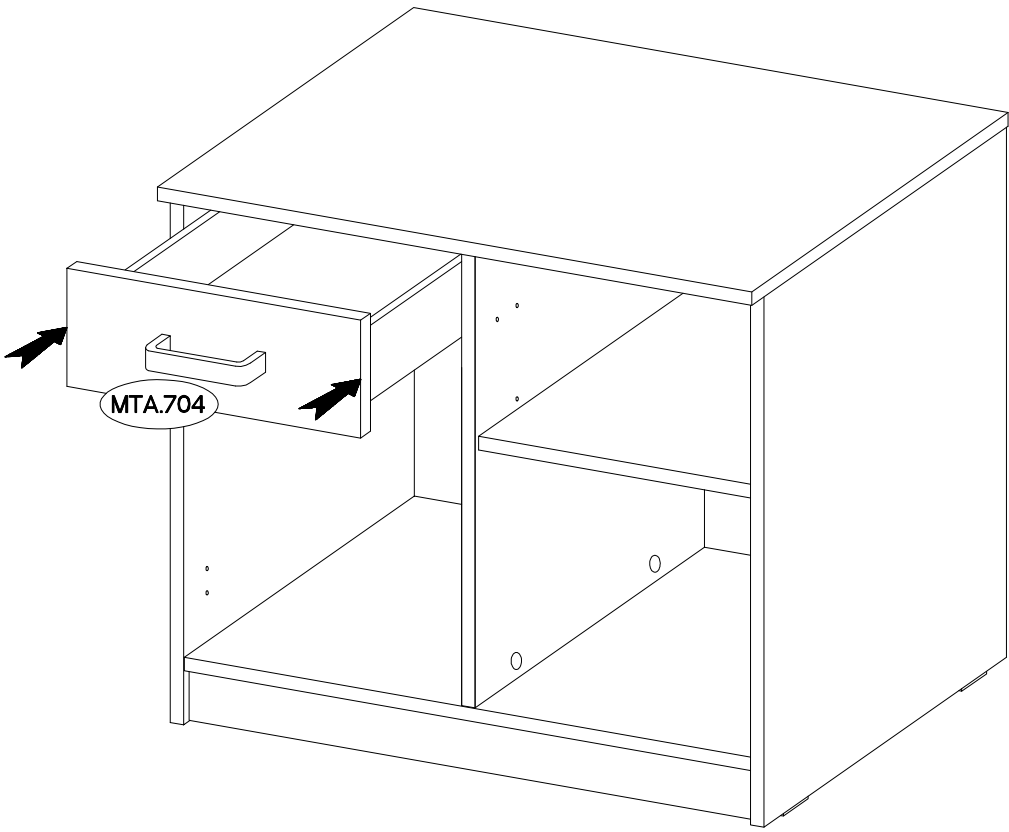




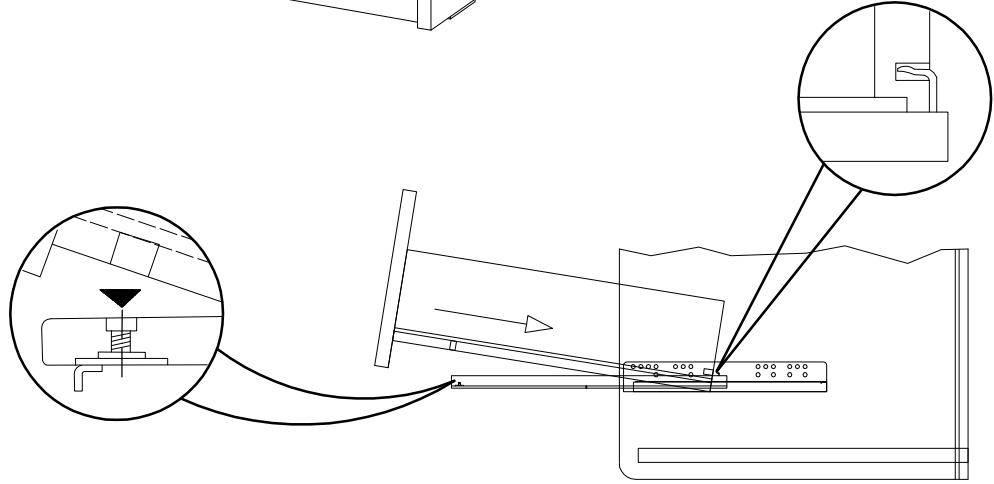
$\pm 5/16\text{mm}$  J3 4	± 20  E11 10
--	---



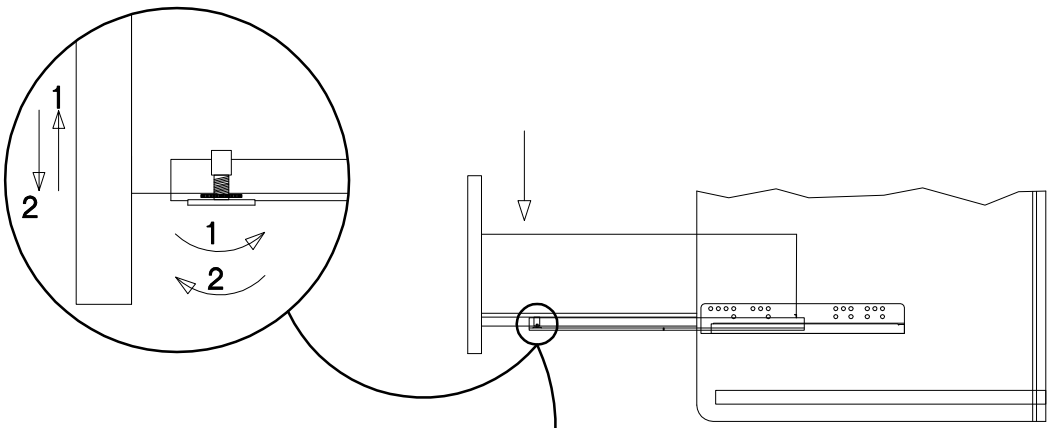
$\pm 3.0 \times 20 \text{mm}$  P7 2	L=128mm  S 1	M4x22mm  U 2
--	---	---



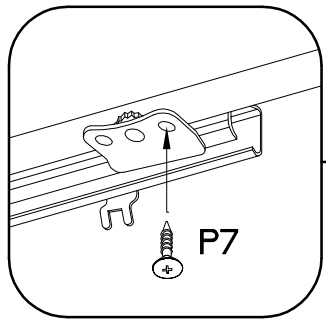
1.

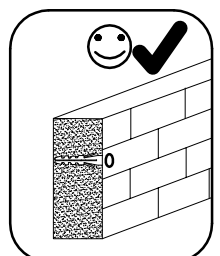
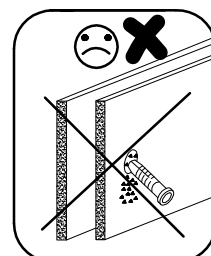
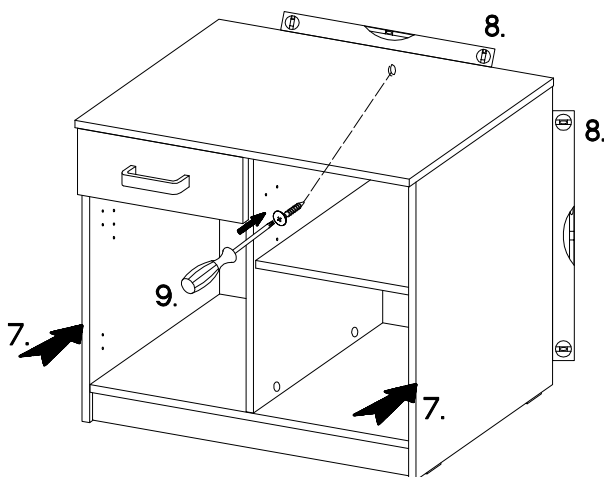
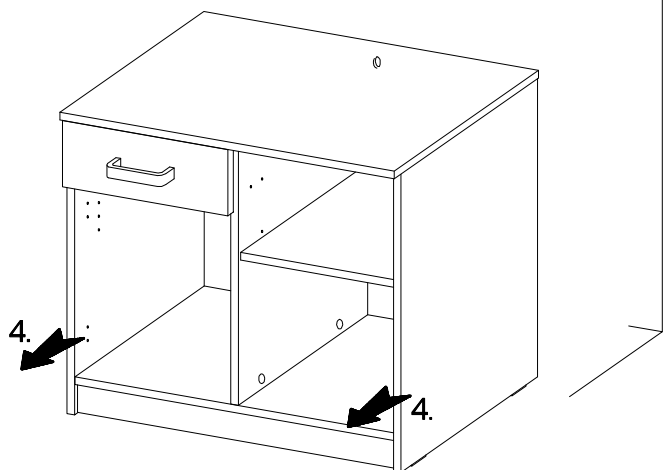
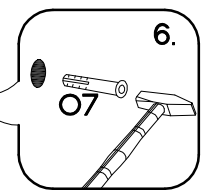
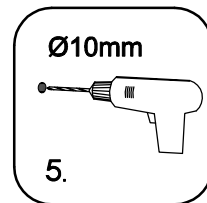
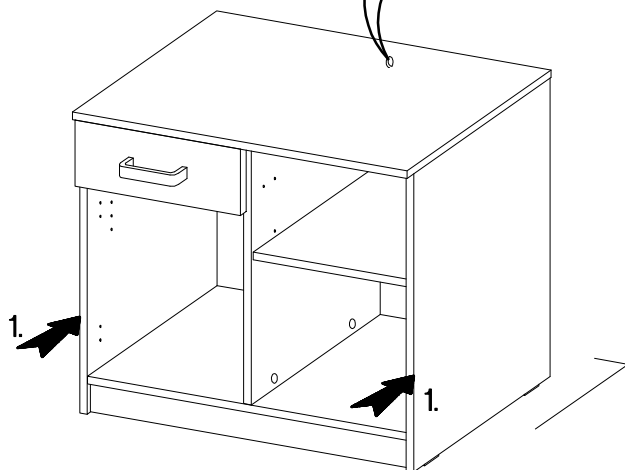
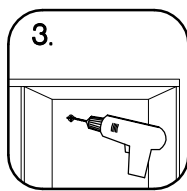
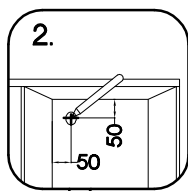
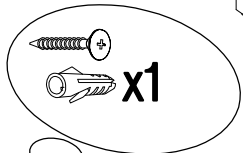
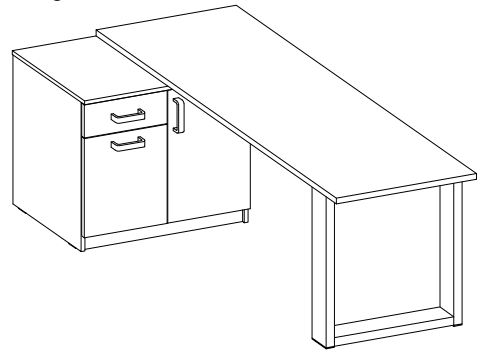
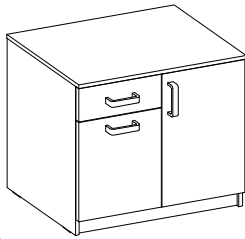


2.





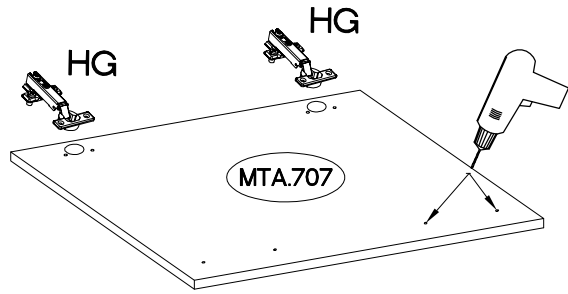
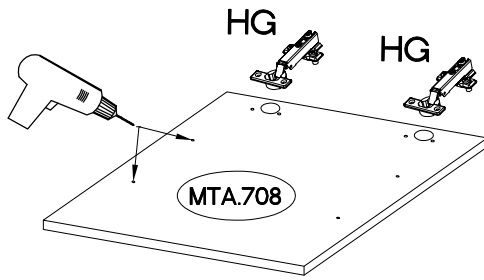
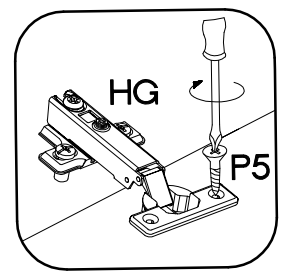
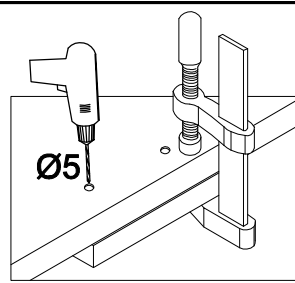
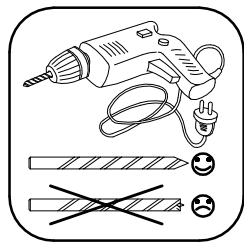
3.







28

±35/0mm  HG 4	±3.5x13mm  P5 8
--	--



29

L=128mm  S 2	M4x22mm  U 4
--	--

