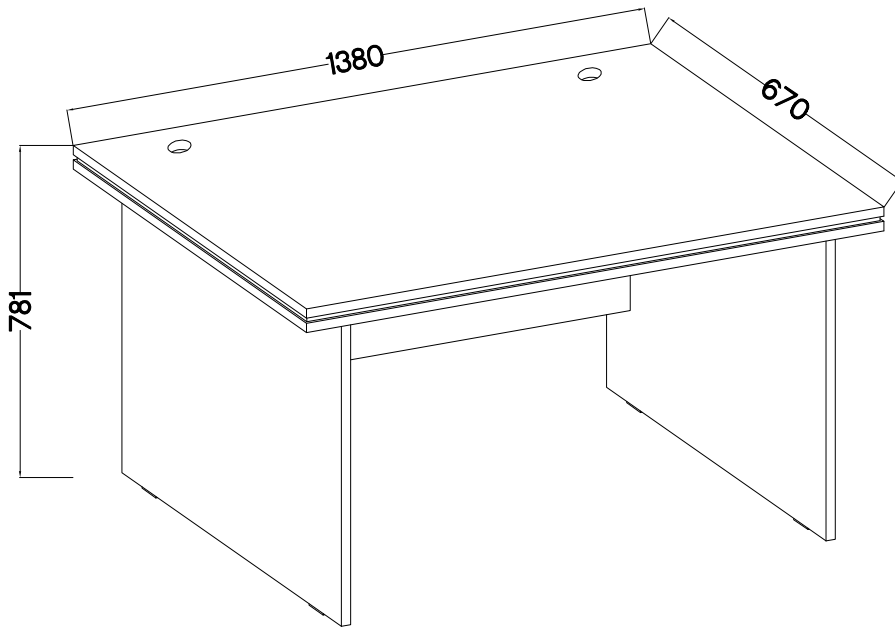
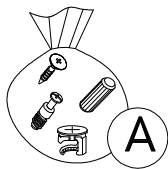
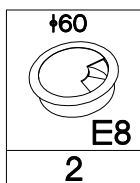
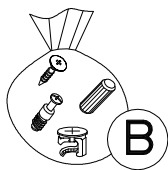
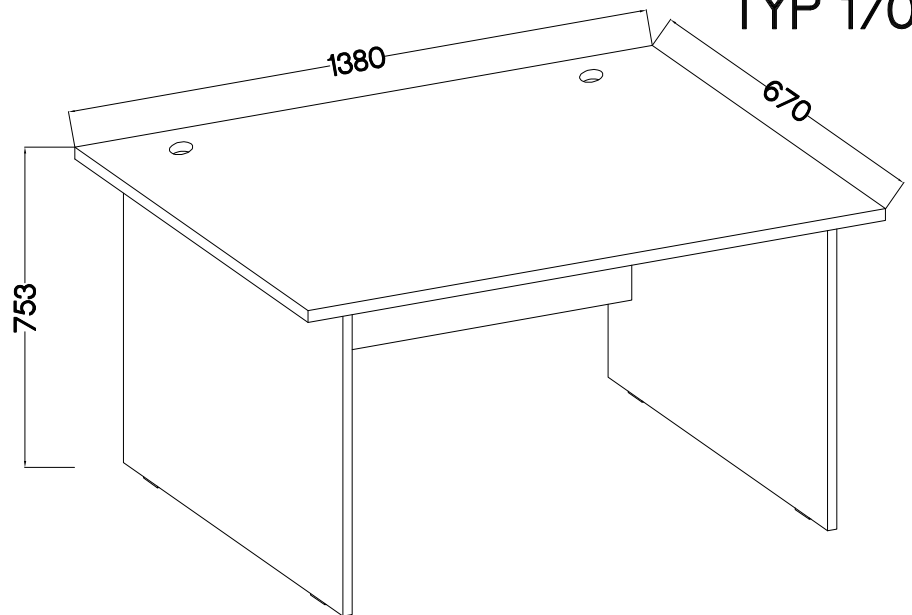


TYP 180

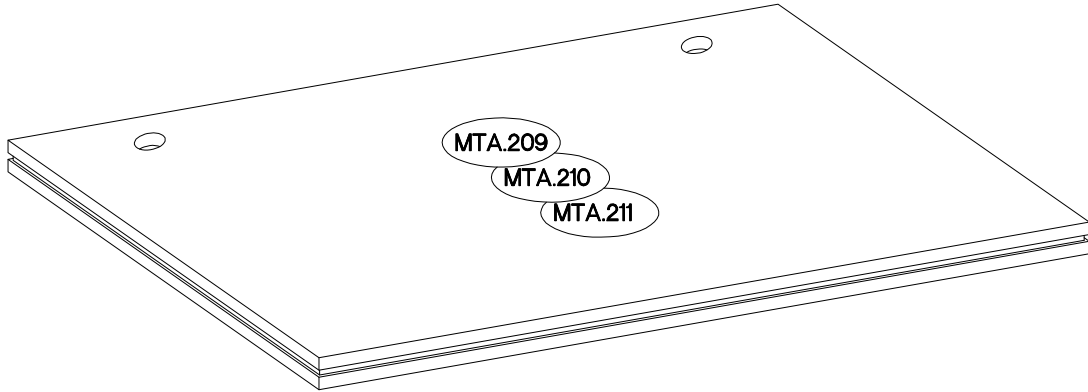


TYP 170

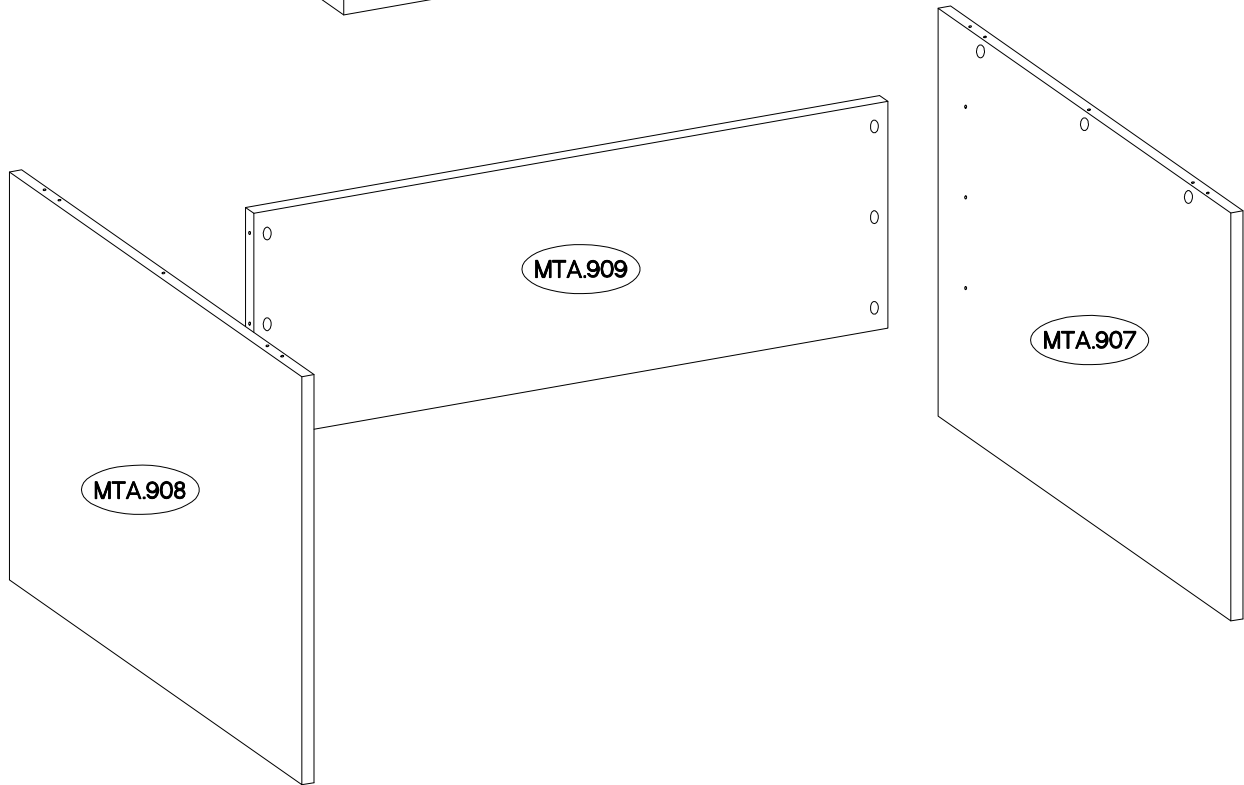
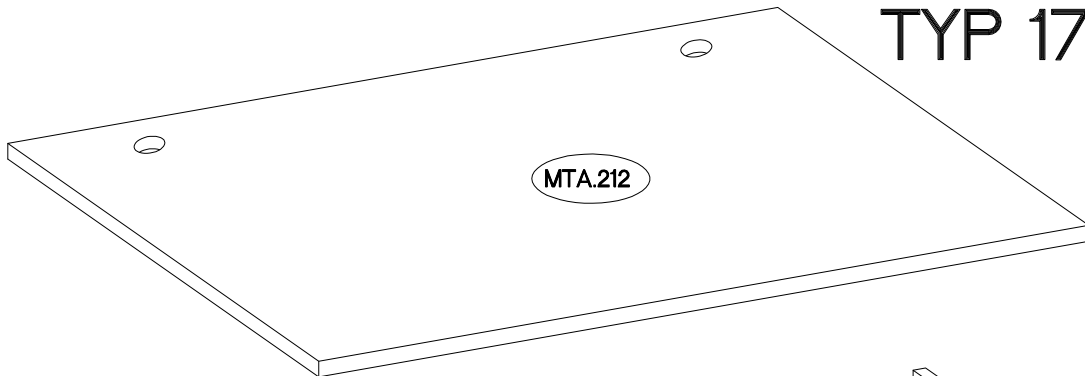


+8x30mm A 4	+15/12mm C 12	L=20mm D2 12	6.5x48x16 F2 4	+20 E11 12
-----------------------	-------------------------	------------------------	--------------------------	----------------------

TYP 180



TYP 170

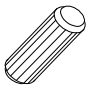


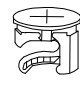


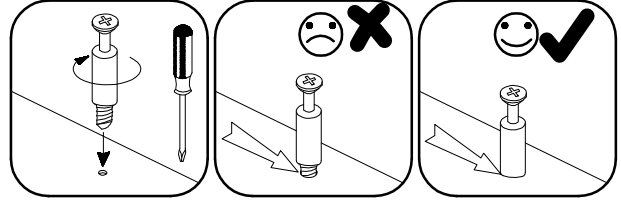
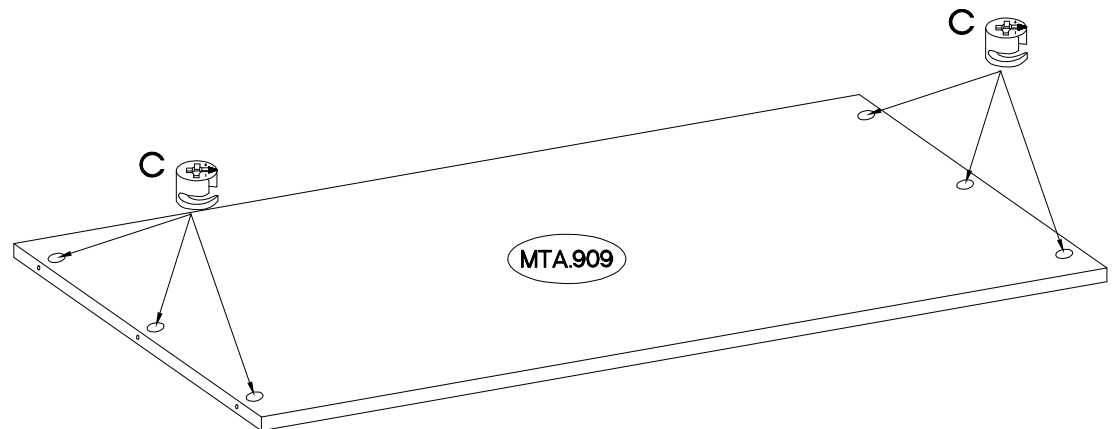
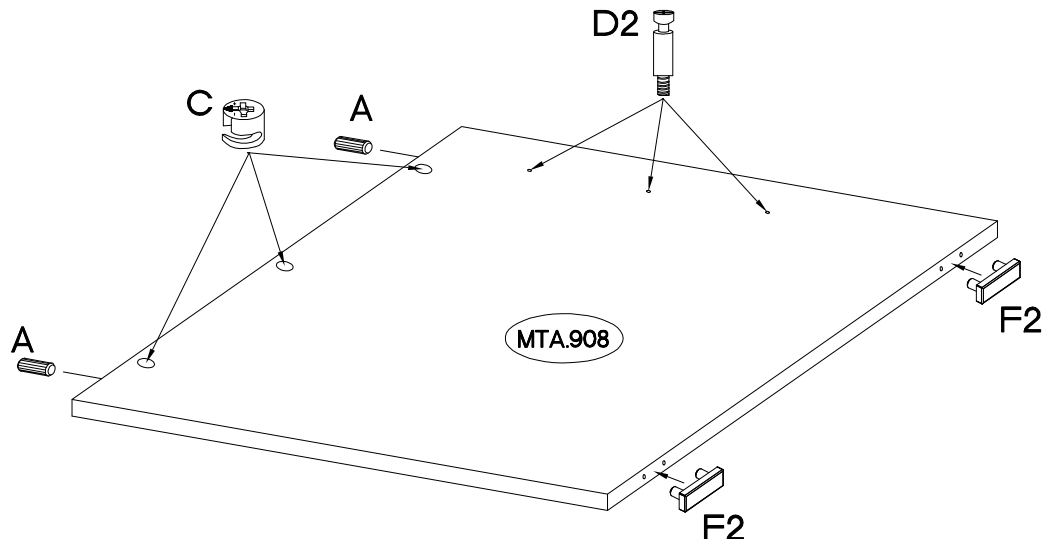
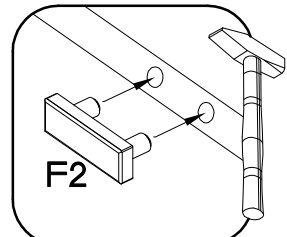
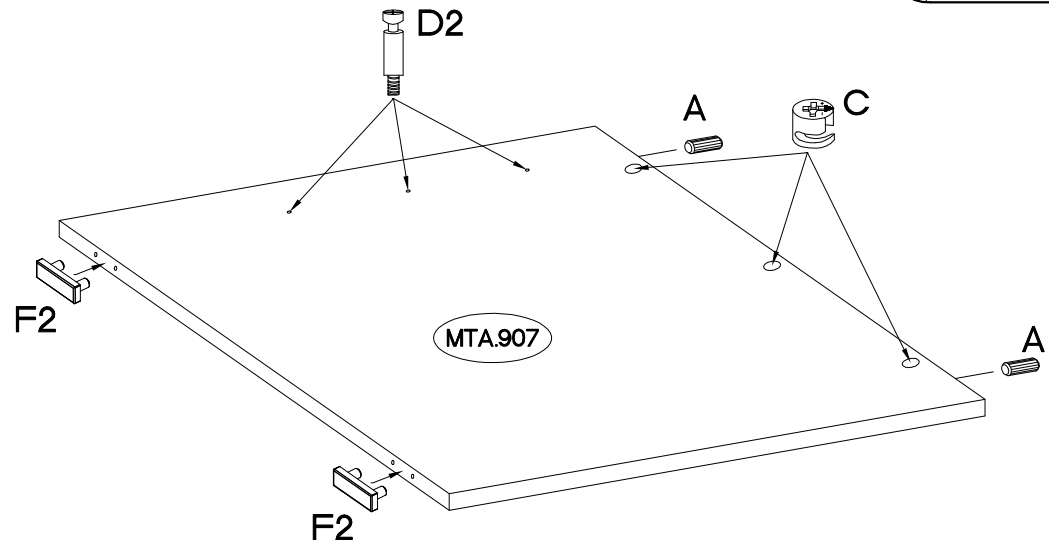
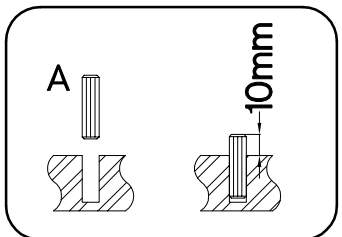
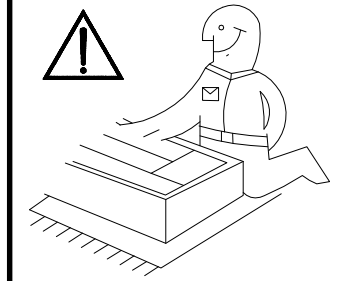
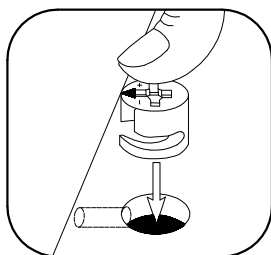
MTA.907	720x630x22
MTA.908	720x630x22
MTA.909	1136x400x18

MTA.209	1380x670x22
MTA.210	1370x660x12
MTA.211	1380x670x22

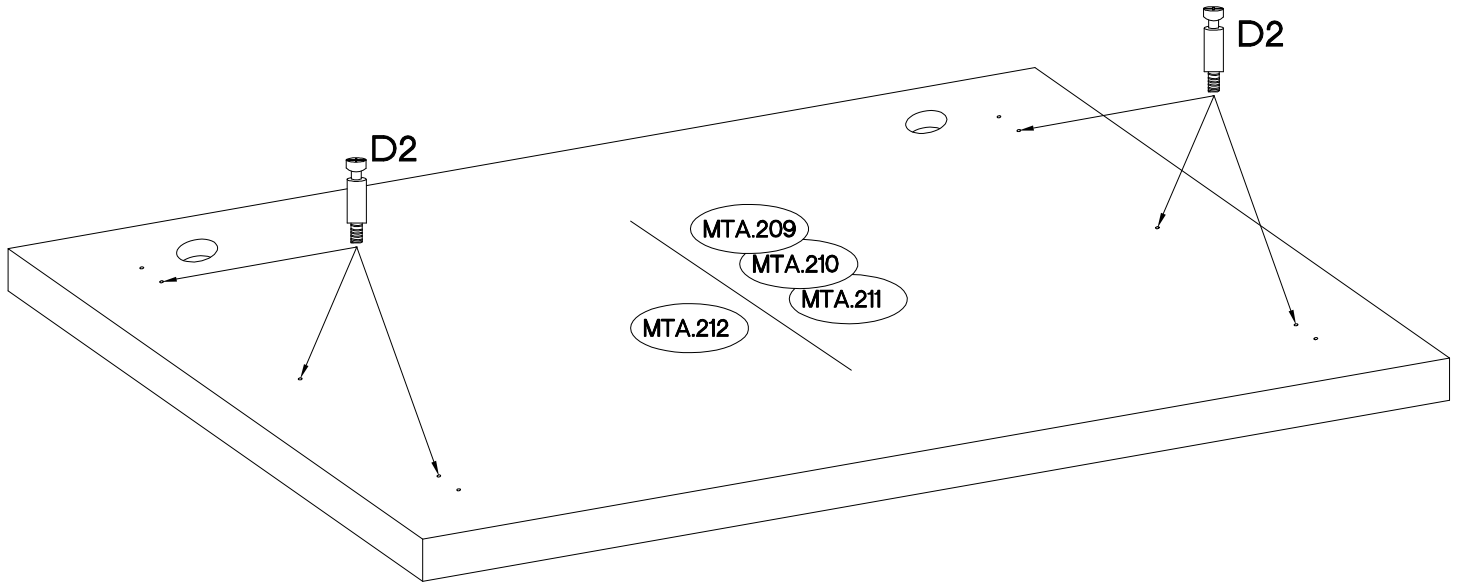
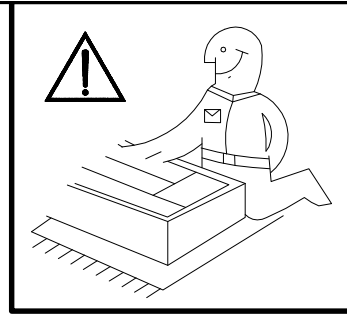
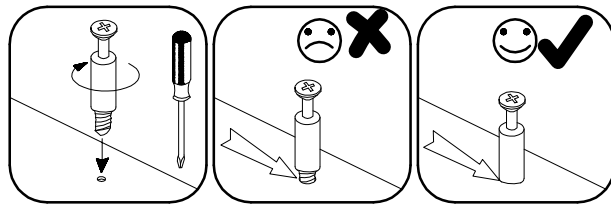
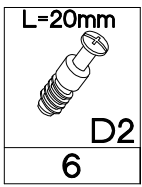
MTA.212	1380x670x28
---------	-------------

1

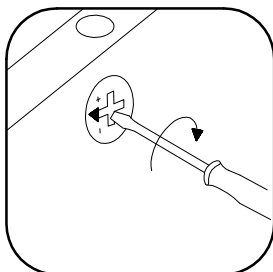
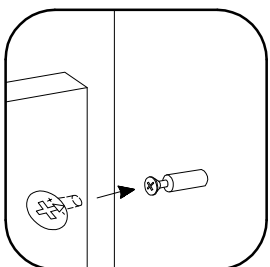
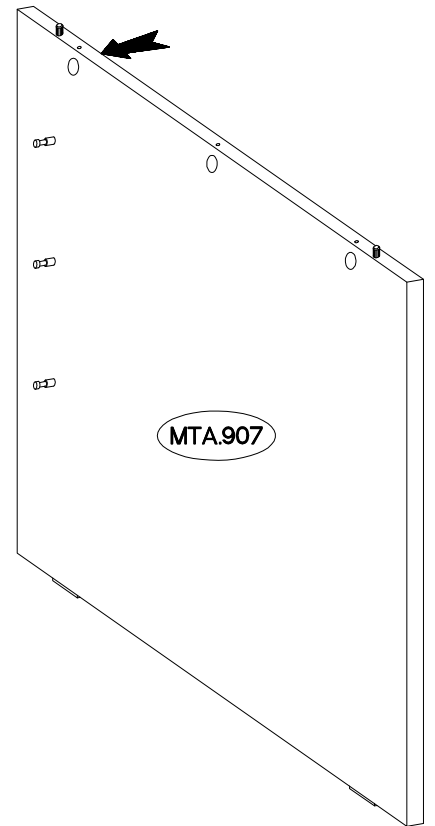
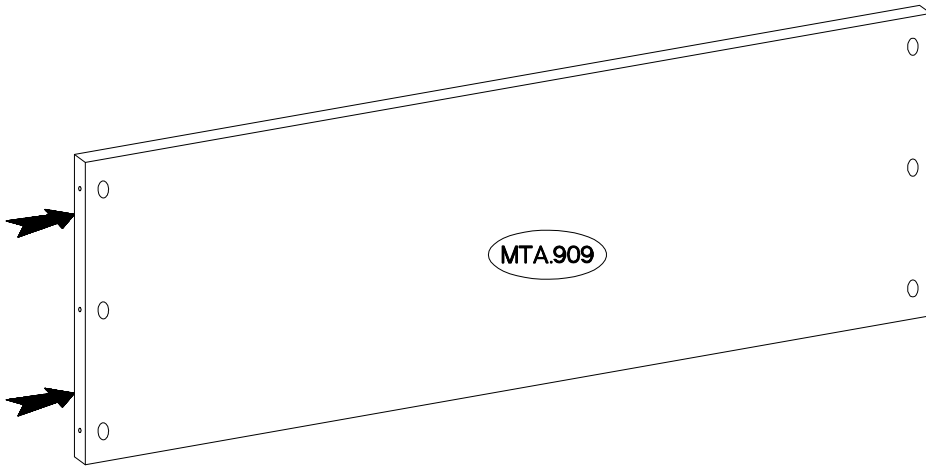
$\varnothing 8 \times 30 \text{mm}$  A 4	$6.5 \times 48 \times 16$  F2 4	$L=20 \text{mm}$  D2 6	$\varnothing 15 / 12 \text{mm}$  C 12
---	--	---	--



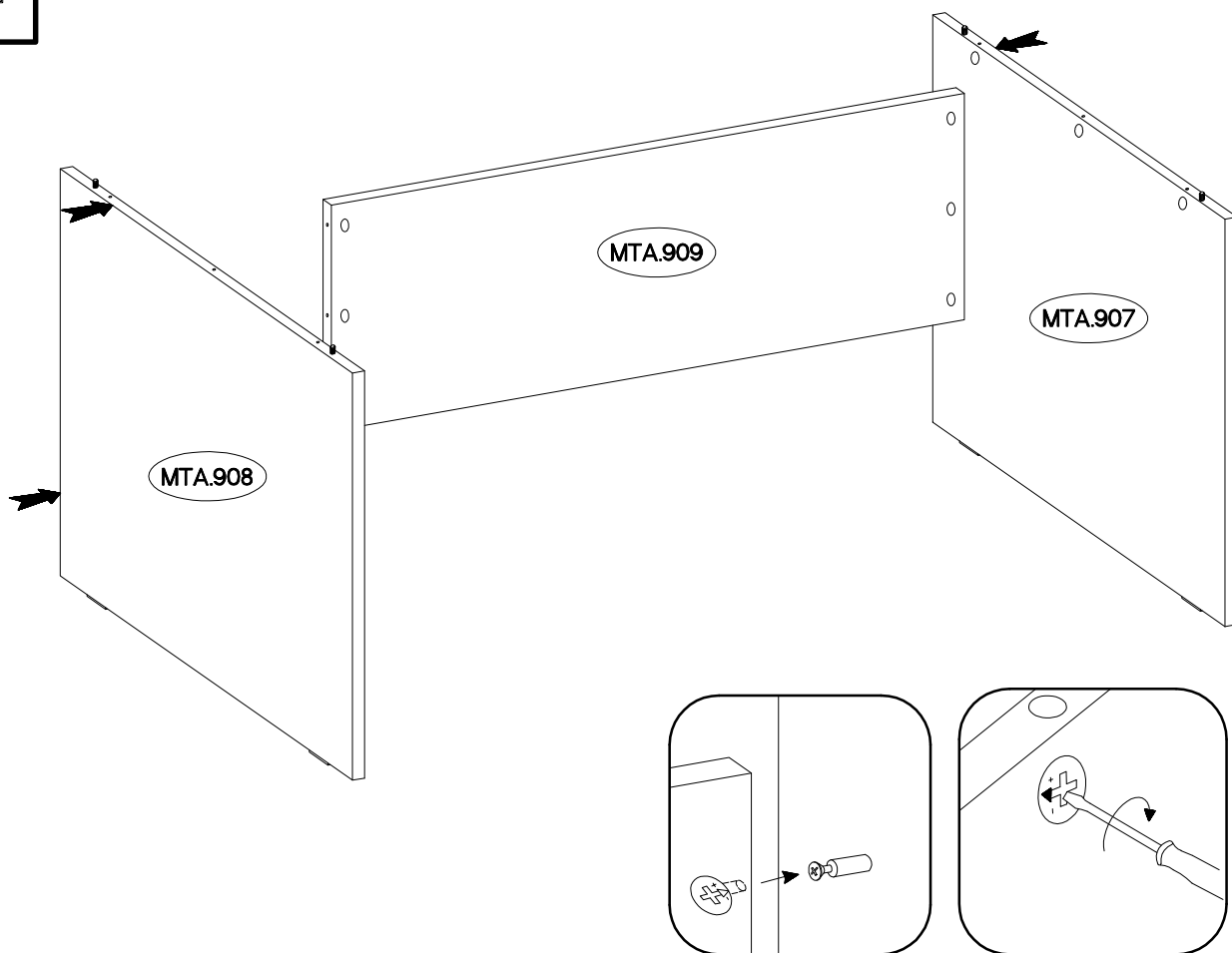
2



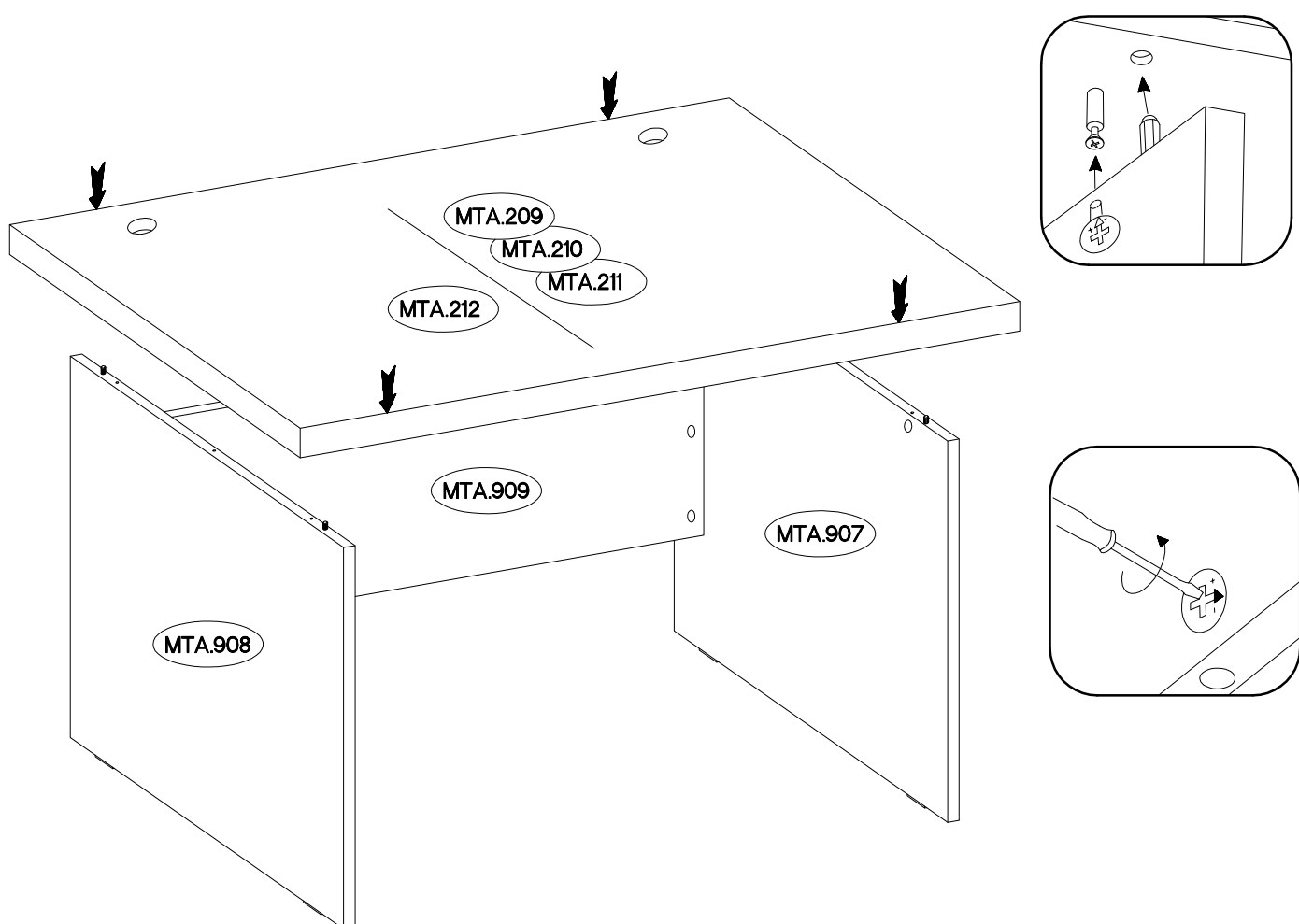
3





4



5



↑60  E8 2	↑20  E11 12
--	--

