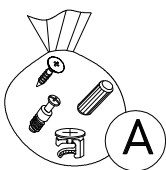
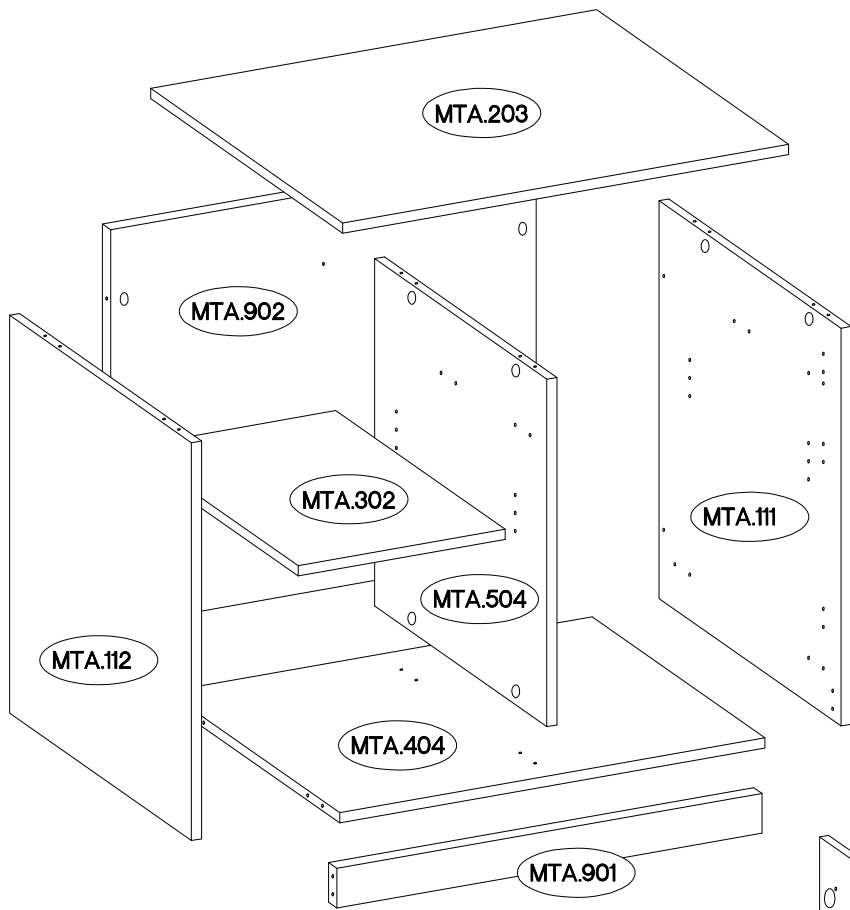


|                         |                      |                   |                   |
|-------------------------|----------------------|-------------------|-------------------|
| ±35/0mm<br>[CD] HG<br>4 | ±3.5x13mm<br>P5<br>8 | L=128mm<br>S<br>3 | M4x22mm<br>U<br>6 |
|-------------------------|----------------------|-------------------|-------------------|

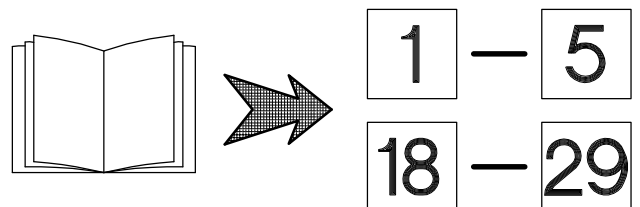
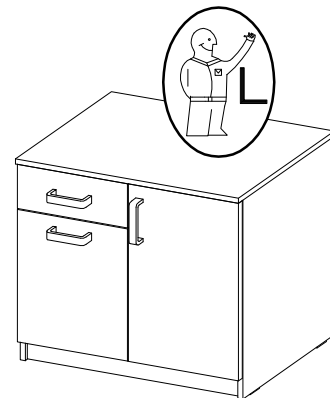
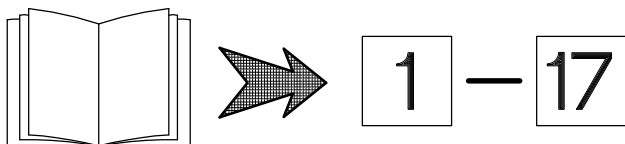
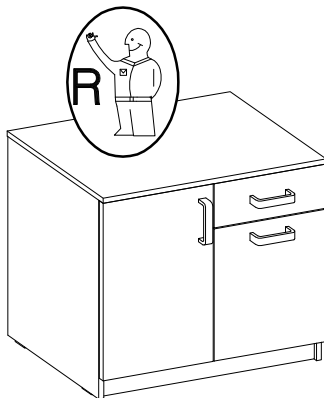
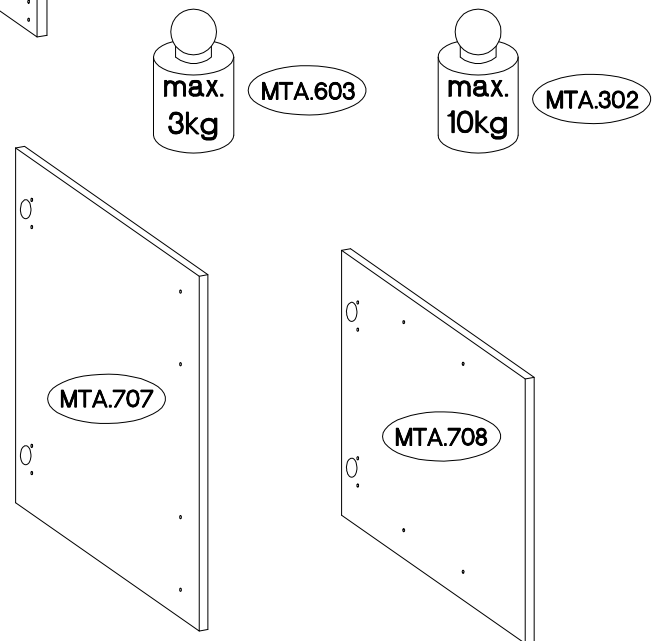
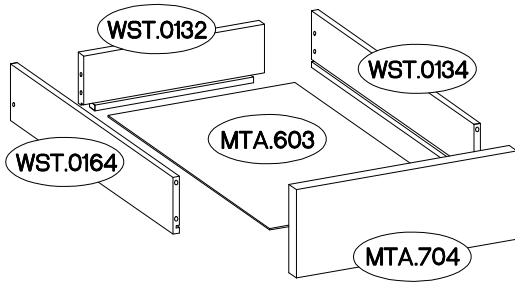


|                      |                        |                    |                     |                     |                      |                      |                  |         |                      |
|----------------------|------------------------|--------------------|---------------------|---------------------|----------------------|----------------------|------------------|---------|----------------------|
| ±8x30mm<br>A<br>20   | 6,4 x 50mm<br>B<br>2   | ±6x42mm<br>B2<br>2 | ±15/12mm<br>C<br>16 | ±12/10mm<br>C5<br>2 | L=20mm<br>D2<br>18   | E1<br>2              | ±20<br>E11<br>10 |         |                      |
| 6.5x48x16<br>F2<br>4 | [CD] L=350mm<br>R<br>1 | ±5/16mm<br>J3<br>4 | ±20/8mm<br>J14<br>4 | L<br>2              | ±6.3x13mm<br>M2<br>4 | ±6.3x20mm<br>M3<br>4 | O<br>1           | O1<br>1 | ±3.0x20mm<br>P7<br>2 |


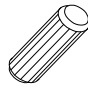

ISM-MTA-08

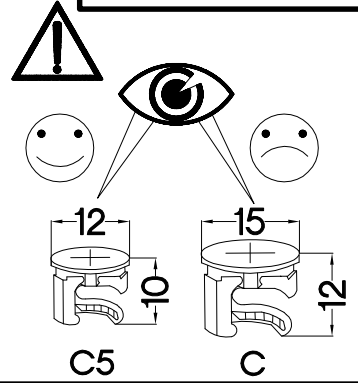
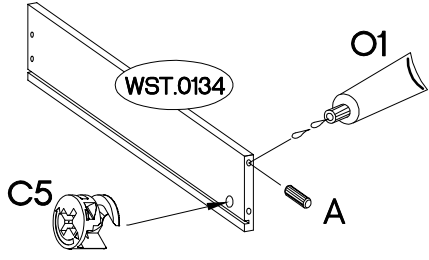
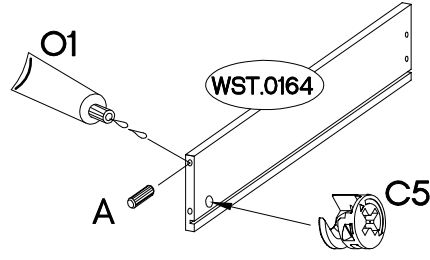
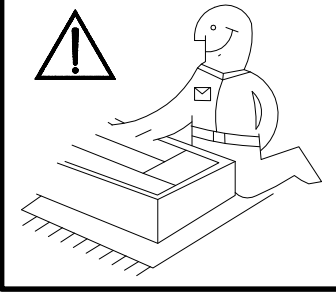
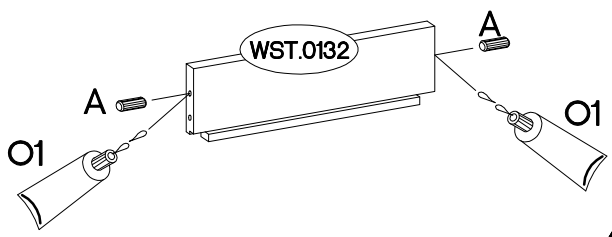


| Ersatzteil Nummer | Dimension   |
|-------------------|-------------|
| MTA.111           | 702x392x18  |
| MTA.112           | 702x392x18  |
| MTA.203           | 799x414x18  |
| MTA.302           | 371x365x18  |
| MTA.404           | 762x372x18  |
| MTA.504           | 613x371x18  |
| MTA.903           | 701x762x18  |
| MTA.901           | 762x70x18   |
| MTA.707           | 626x395x16  |
| MTA.708           | 467x395x16  |
| MTA.704           | 156x395x16  |
| MTA.603           | 335x348x2,5 |
| WST.0134          | 350x100x12  |
| WST.0164          | 350x100x12  |
| WST.0132          | 324x100x12  |





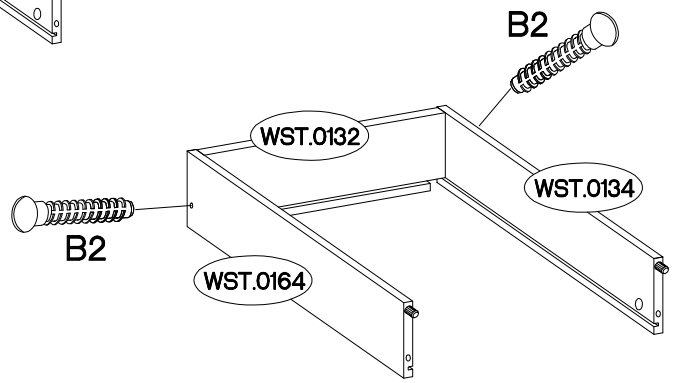
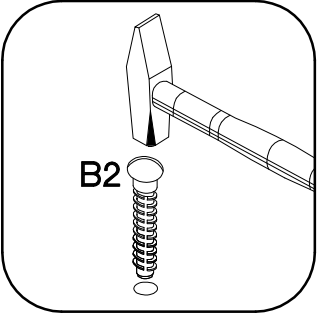
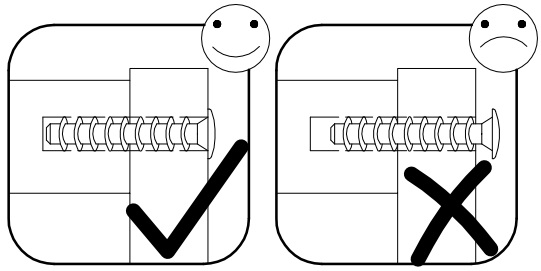
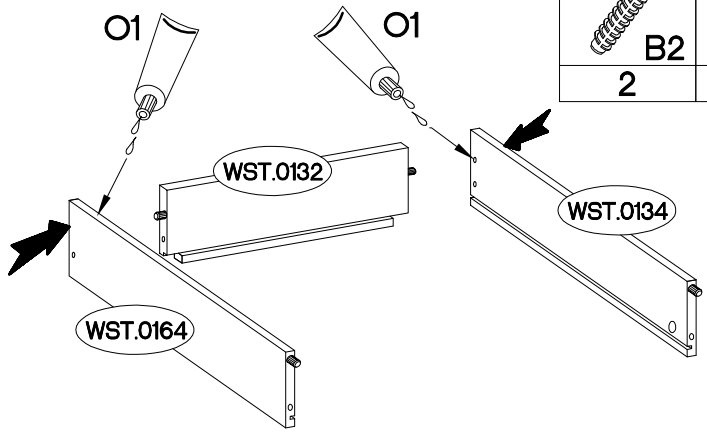
1

|                                                                                                         |                                                                                                       |                                                                                             |
|---------------------------------------------------------------------------------------------------------|-------------------------------------------------------------------------------------------------------|---------------------------------------------------------------------------------------------|
| ±12/10mm<br><br>C5<br>2 | ±8x30mm<br><br>A<br>4 | <br>O1<br>1 |
|---------------------------------------------------------------------------------------------------------|-------------------------------------------------------------------------------------------------------|---------------------------------------------------------------------------------------------|




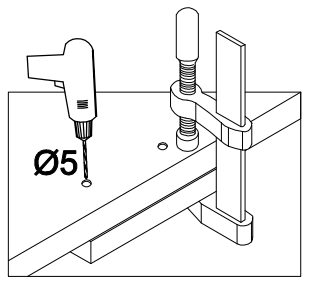
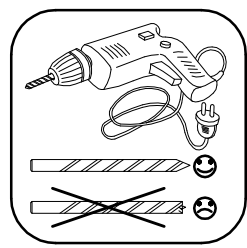
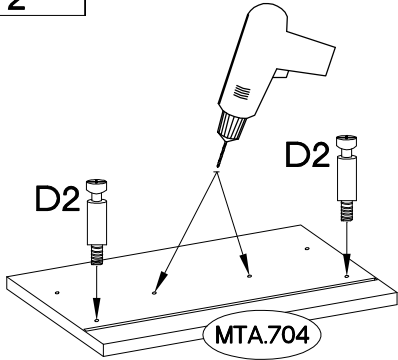
2

|                                                                                                         |                                                                                              |
|---------------------------------------------------------------------------------------------------------|----------------------------------------------------------------------------------------------|
| ±6x42mm<br><br>B2<br>2 | <br>O1<br>1 |
|---------------------------------------------------------------------------------------------------------|----------------------------------------------------------------------------------------------|

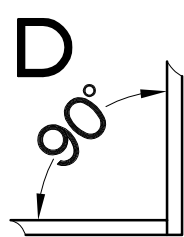
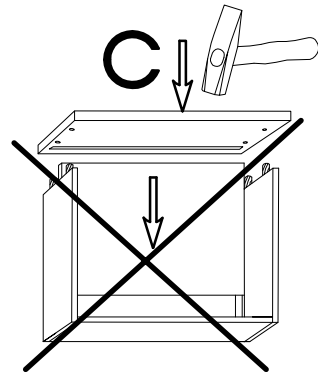
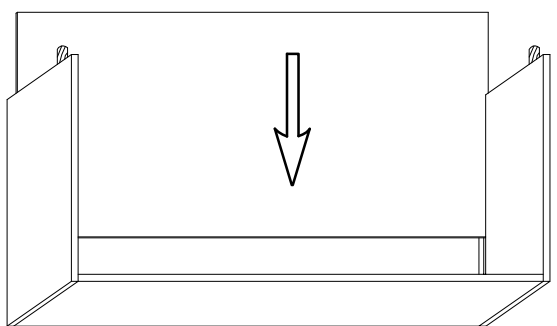
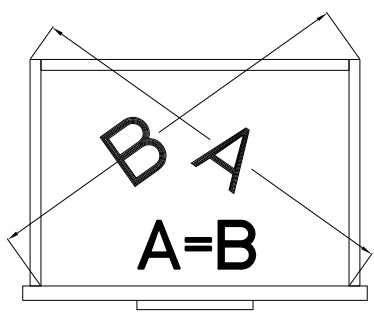
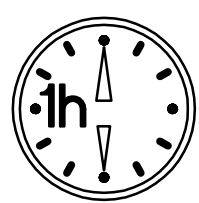
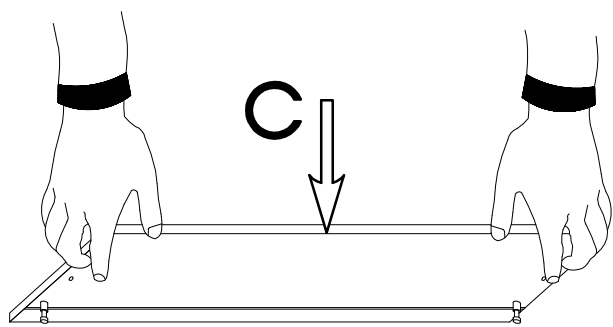
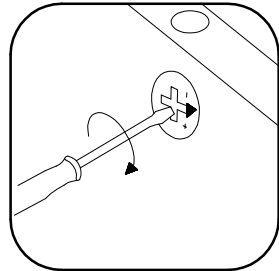
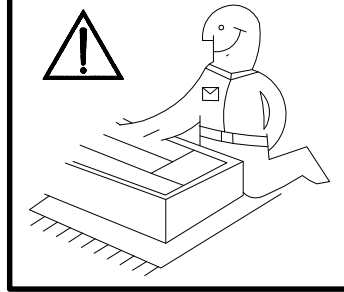
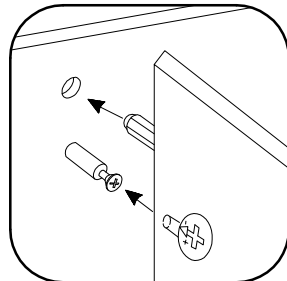
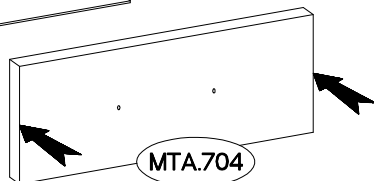
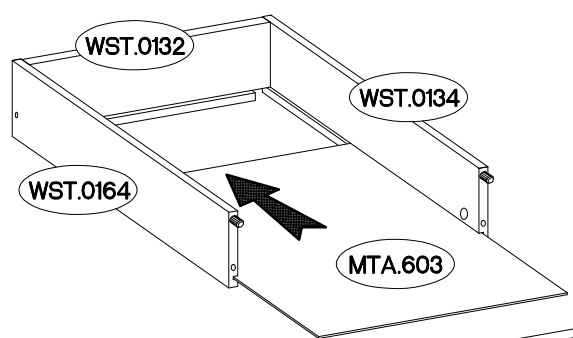


3

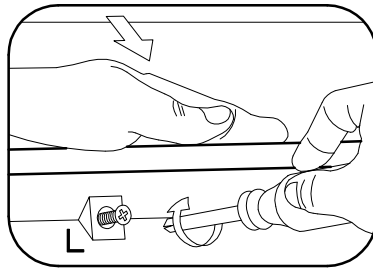
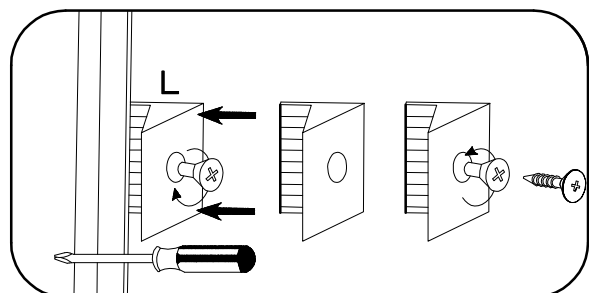
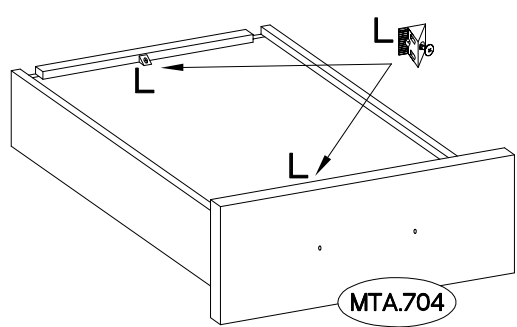
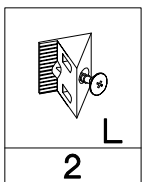
|                                                                                                          |
|----------------------------------------------------------------------------------------------------------|
| L=20mm<br><br>D2<br>2 |
|----------------------------------------------------------------------------------------------------------|

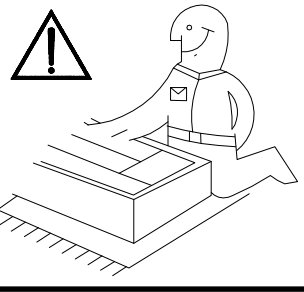


4

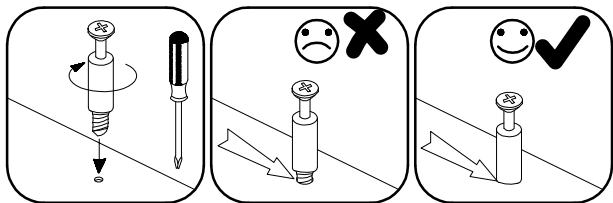
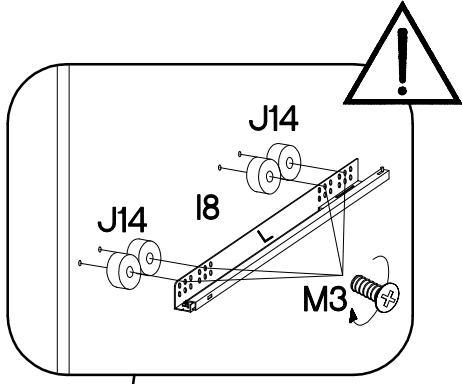
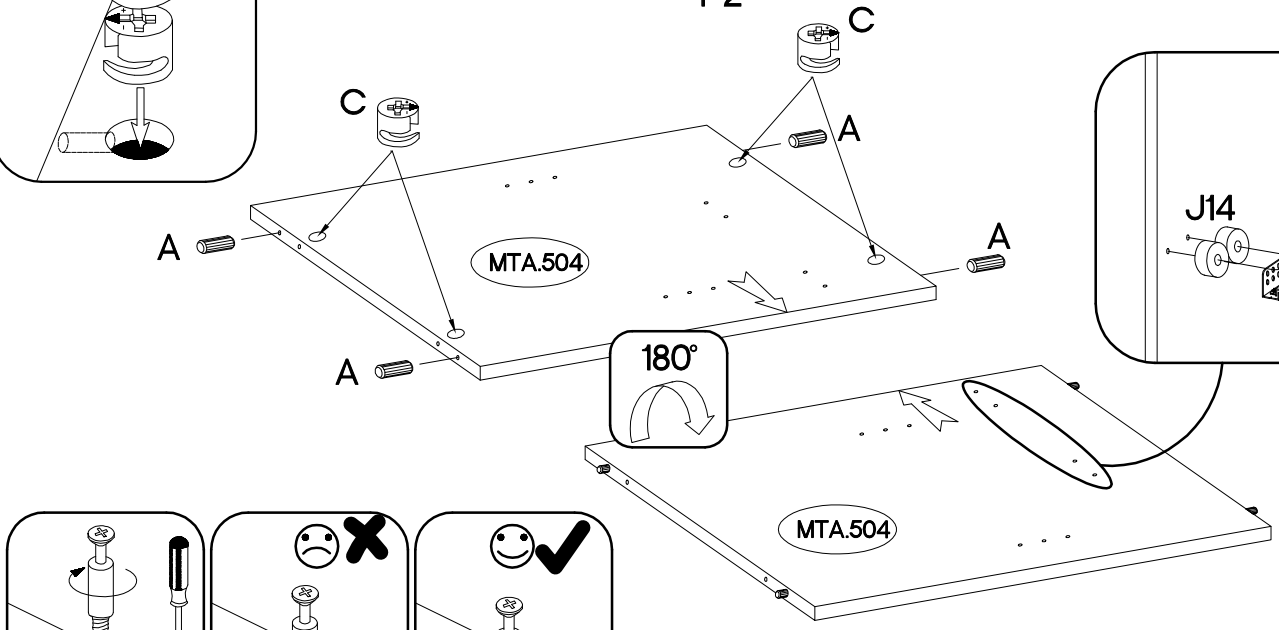
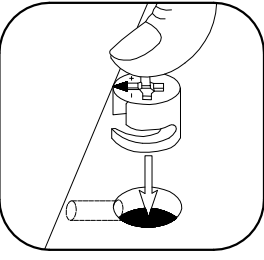
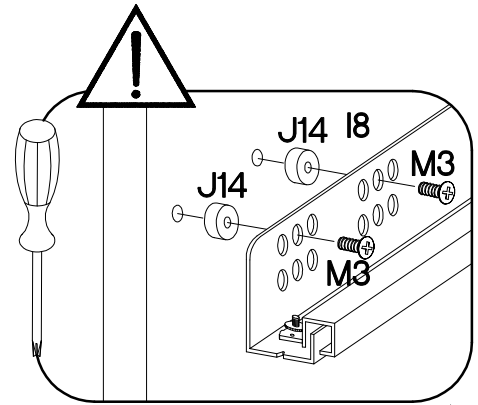
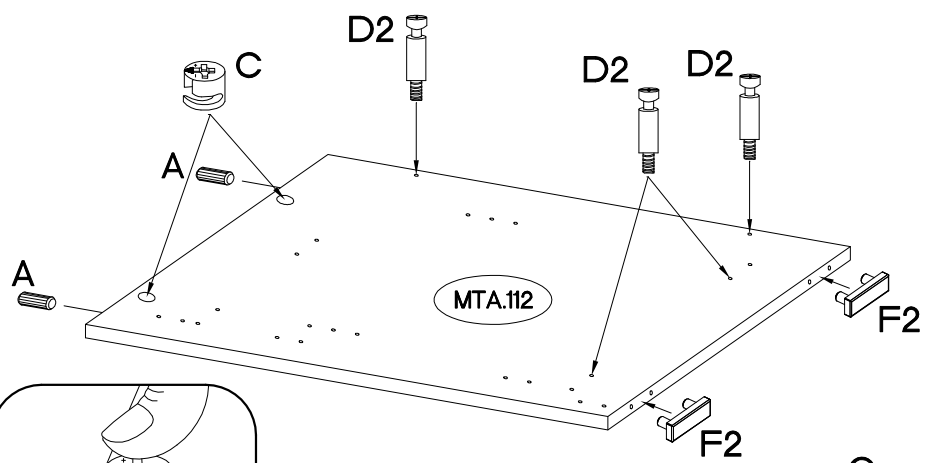
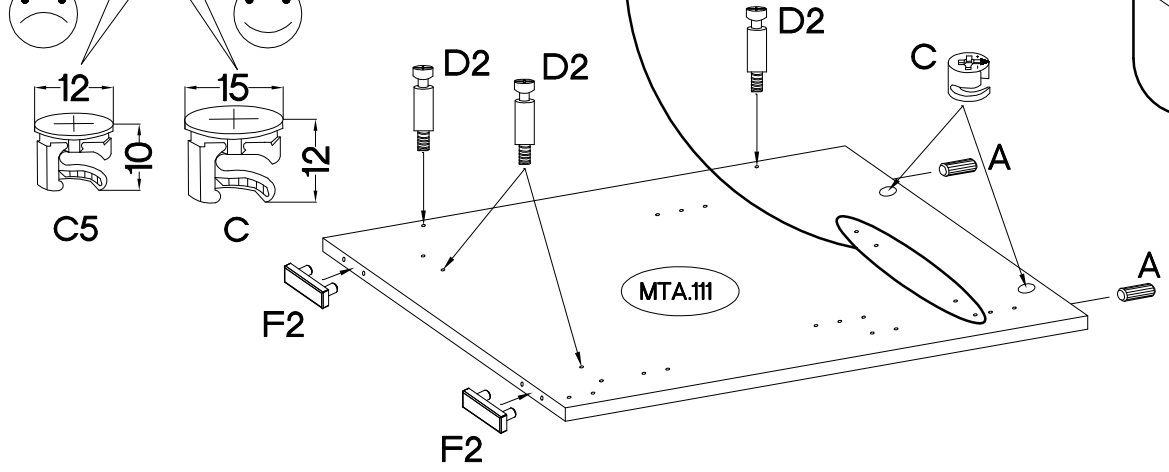
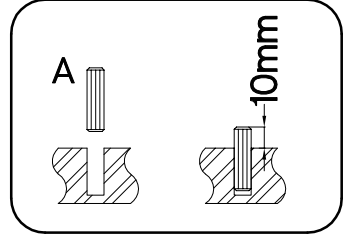
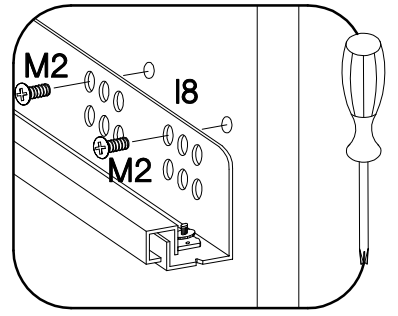
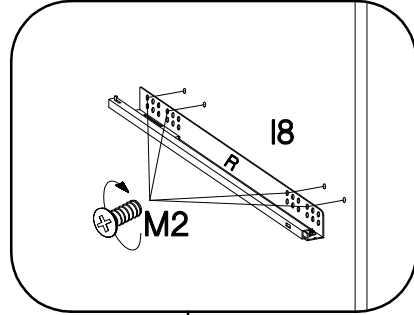
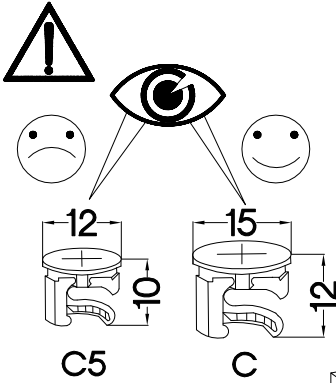


5

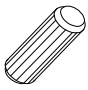




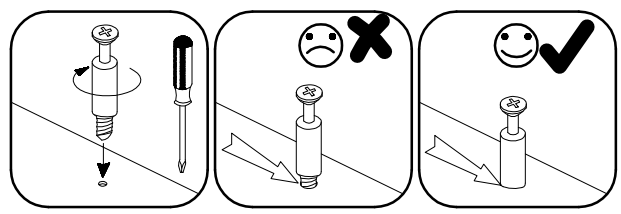
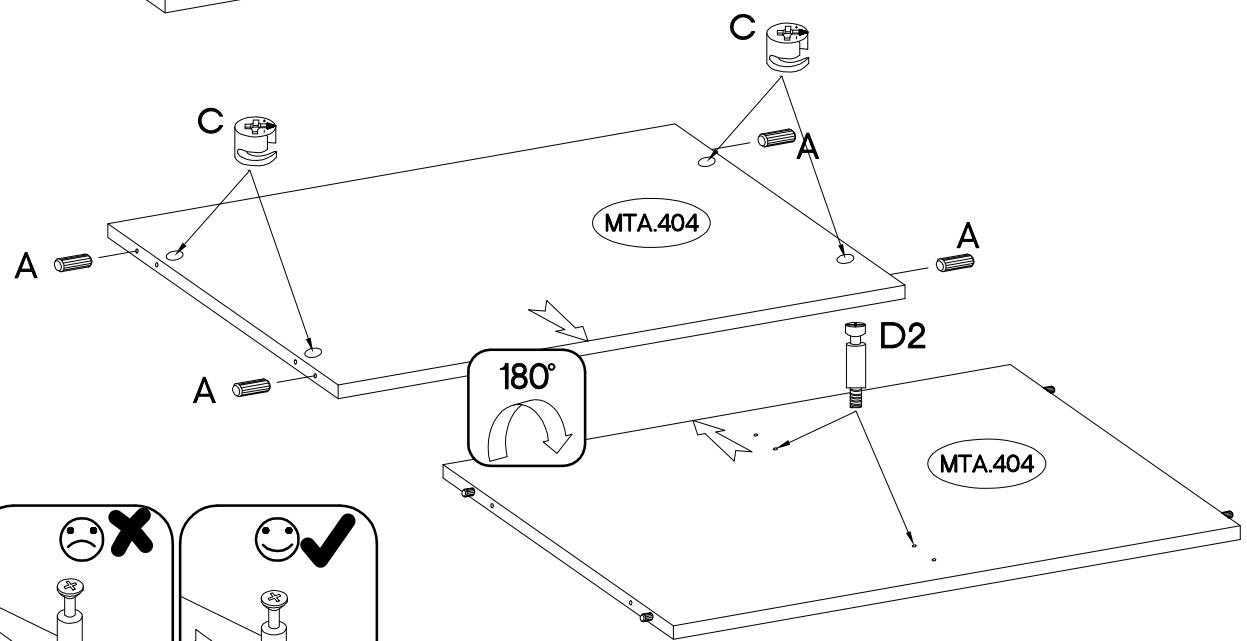
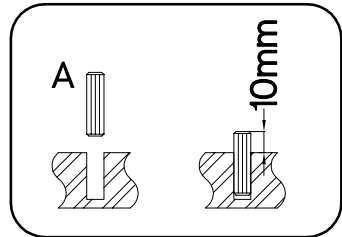
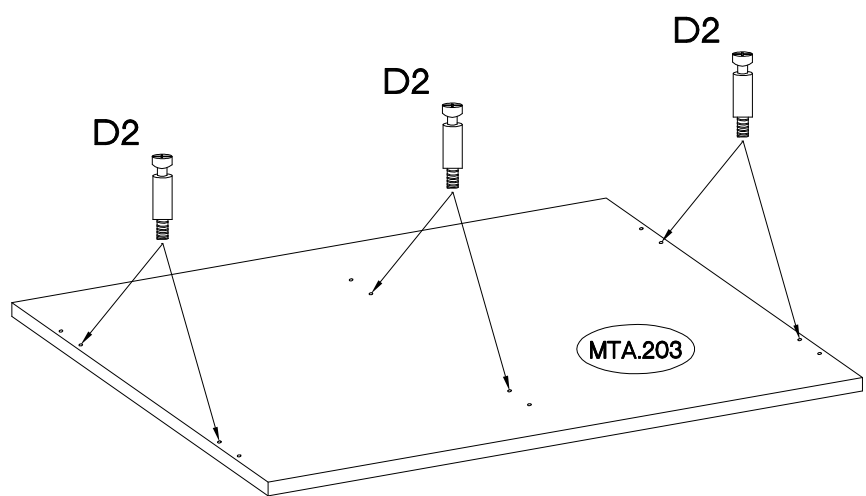
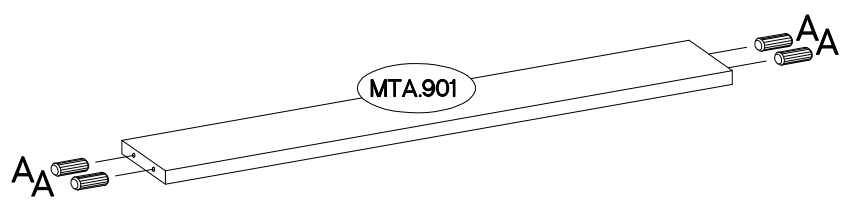
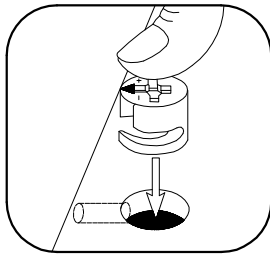
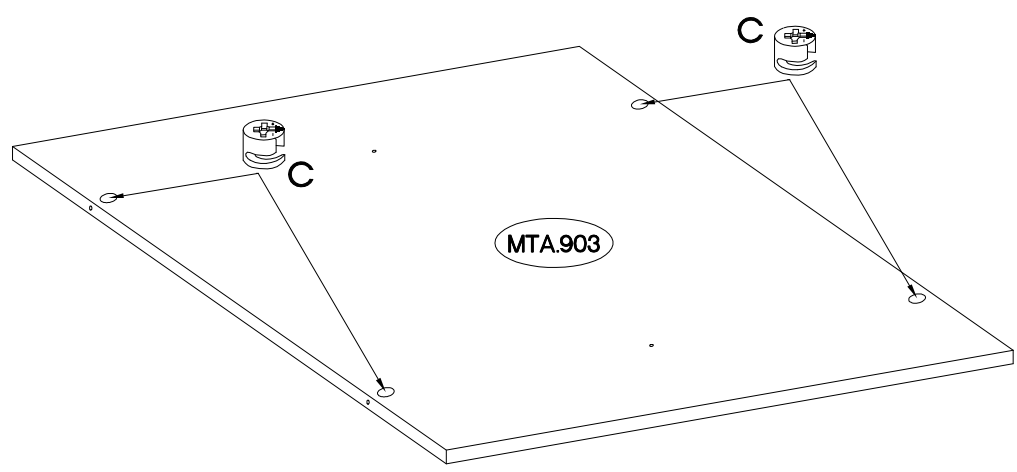
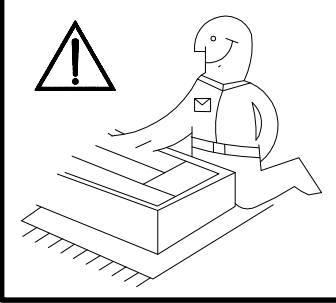


|                                              |                                              |                                 |                                     |                            |                                      |
|----------------------------------------------|----------------------------------------------|---------------------------------|-------------------------------------|----------------------------|--------------------------------------|
| $\pm 8 \times 30 \text{mm}$<br><br>A<br>8    | $6.5 \times 48 \times 16$<br><br>F2<br>4     | $L=20 \text{mm}$<br><br>D2<br>8 | $\pm 15/12 \text{mm}$<br><br>C<br>8 | [CD]<br><br>L=350mm R<br>1 | $\pm 20/8 \text{mm}$<br><br>J14<br>4 |
| $\pm 6.3 \times 13 \text{mm}$<br><br>M2<br>4 | $\pm 6.3 \times 20 \text{mm}$<br><br>M3<br>4 |                                 |                                     |                            |                                      |

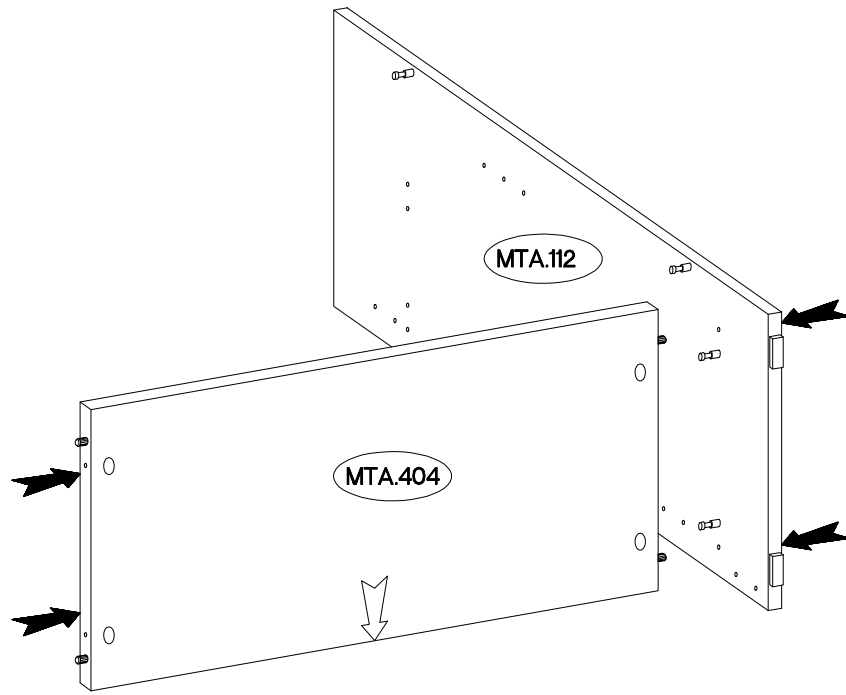
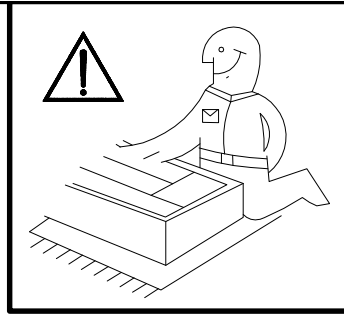


7

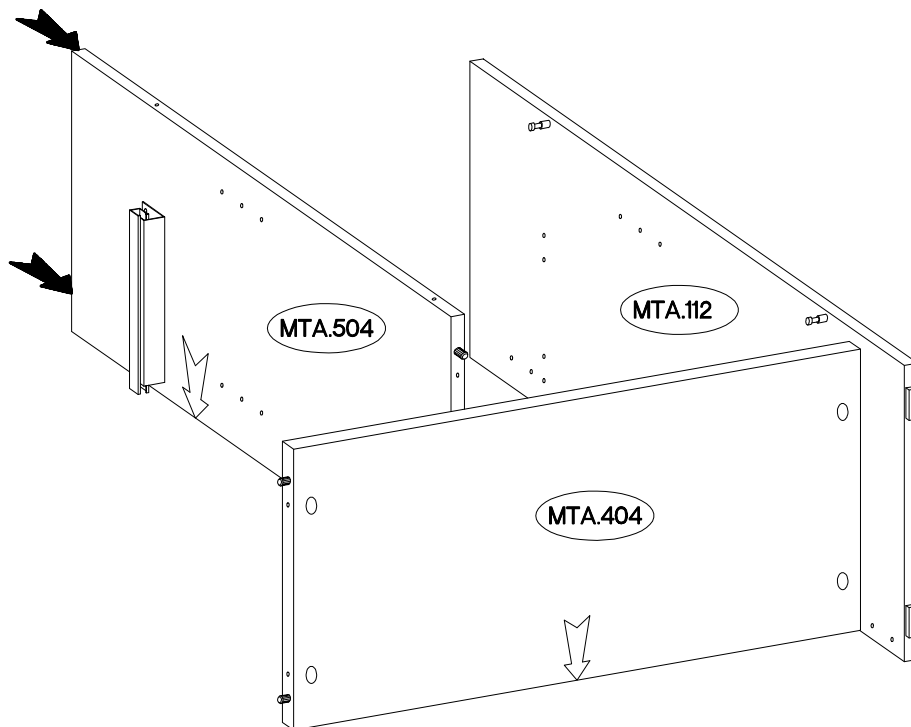
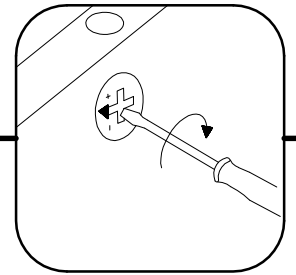
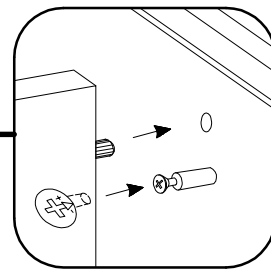
|                                                                                                                              |                                                                                                                          |                                                                                                  |
|------------------------------------------------------------------------------------------------------------------------------|--------------------------------------------------------------------------------------------------------------------------|--------------------------------------------------------------------------------------------------|
| $\varnothing 8 \times 30 \text{mm}$<br><br>A | $\varnothing 15 / 12 \text{mm}$<br><br>C | L=20mm<br><br>D2 |
| 8                                                                                                                            | 8                                                                                                                        | 8                                                                                                |



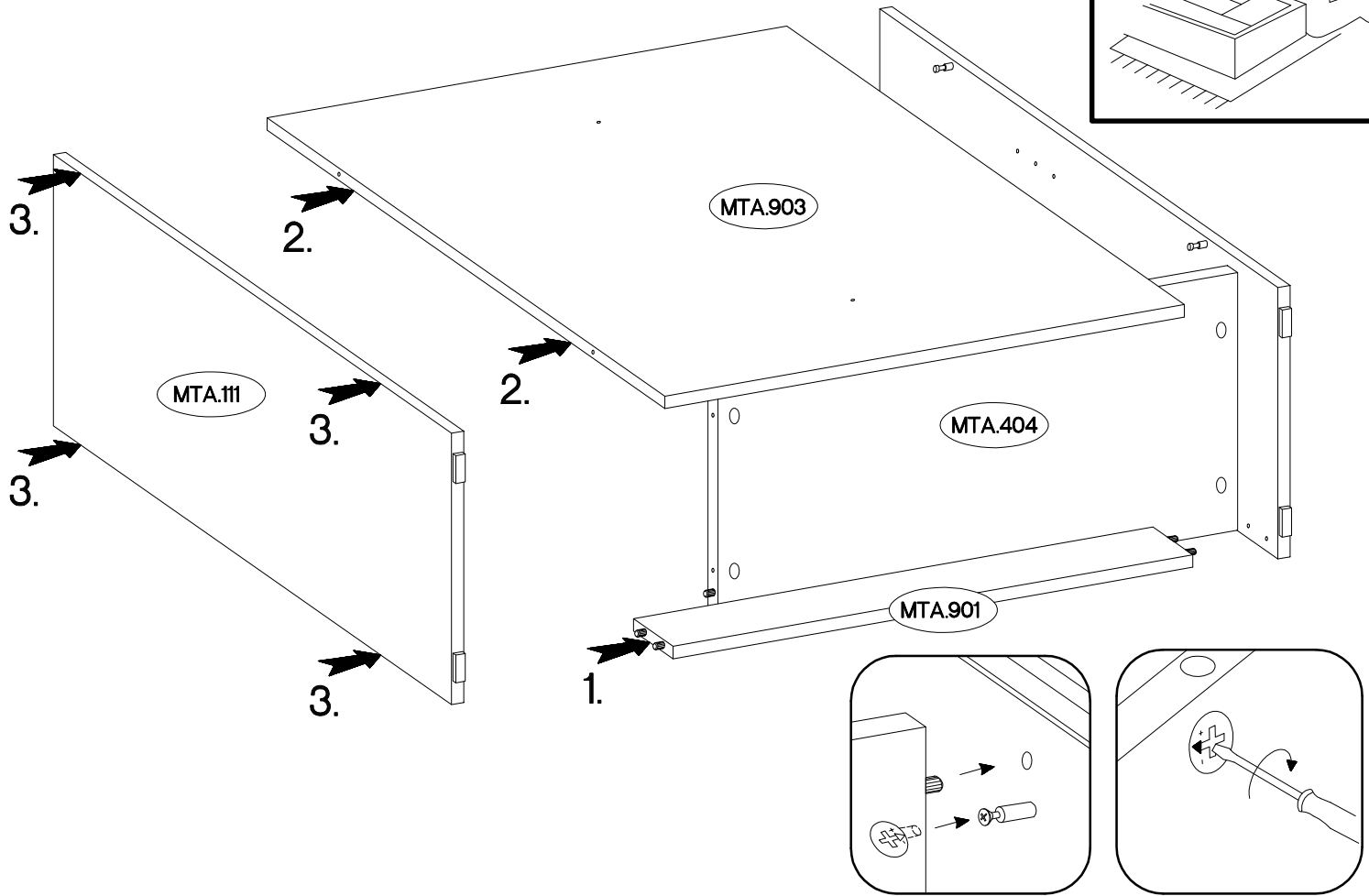
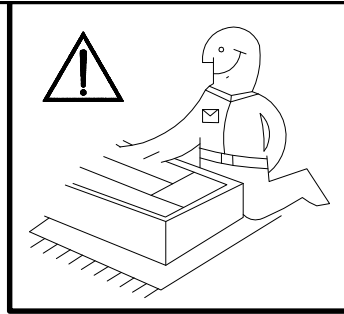
8



9

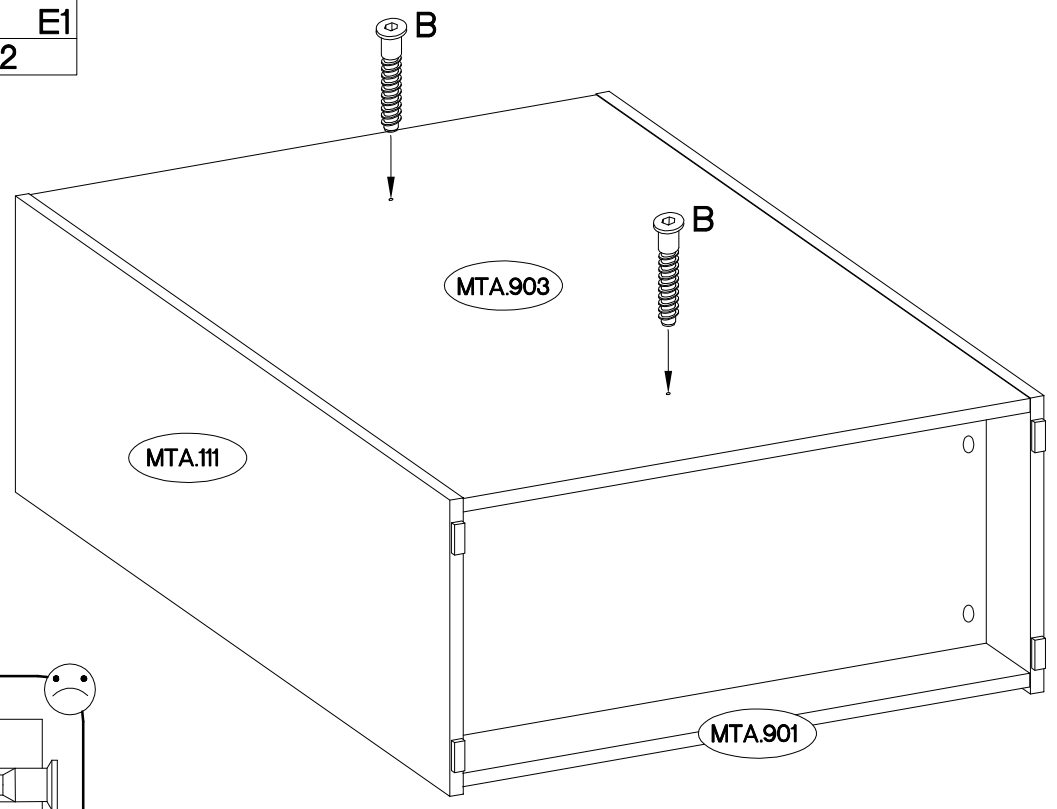
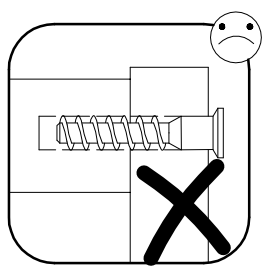
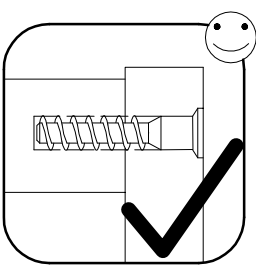
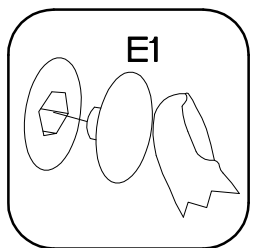
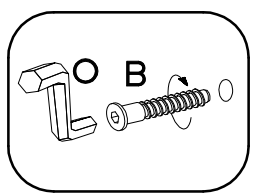


# 10



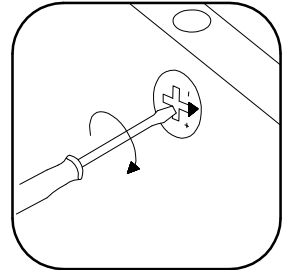
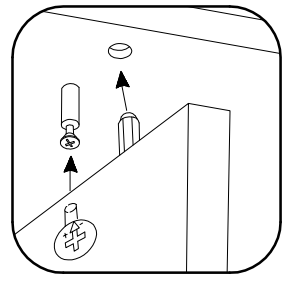
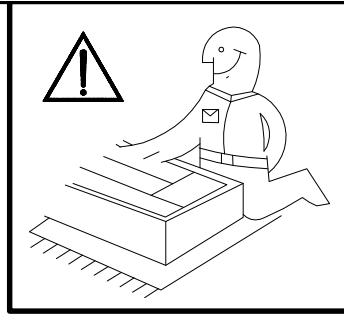
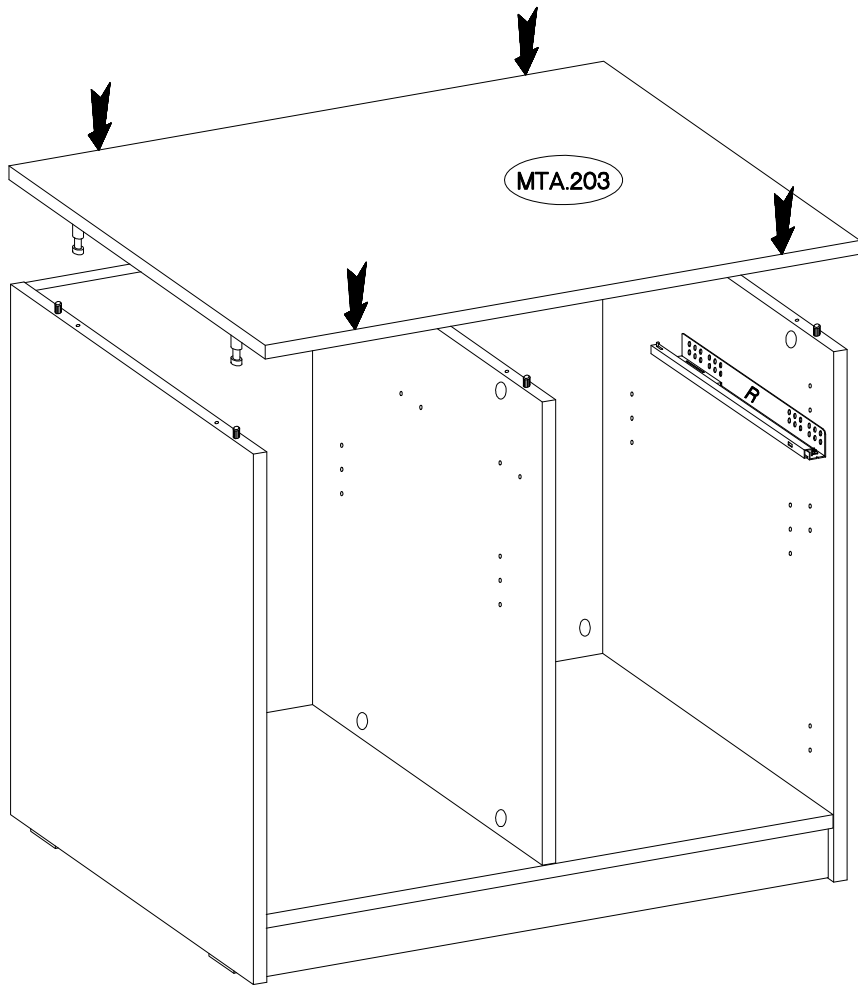
# 11

|            |   |    |
|------------|---|----|
| 6,4 x 50mm |   |    |
|            |   |    |
| B          | O | E1 |
| 2          | 1 | 2  |

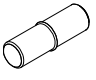
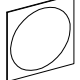


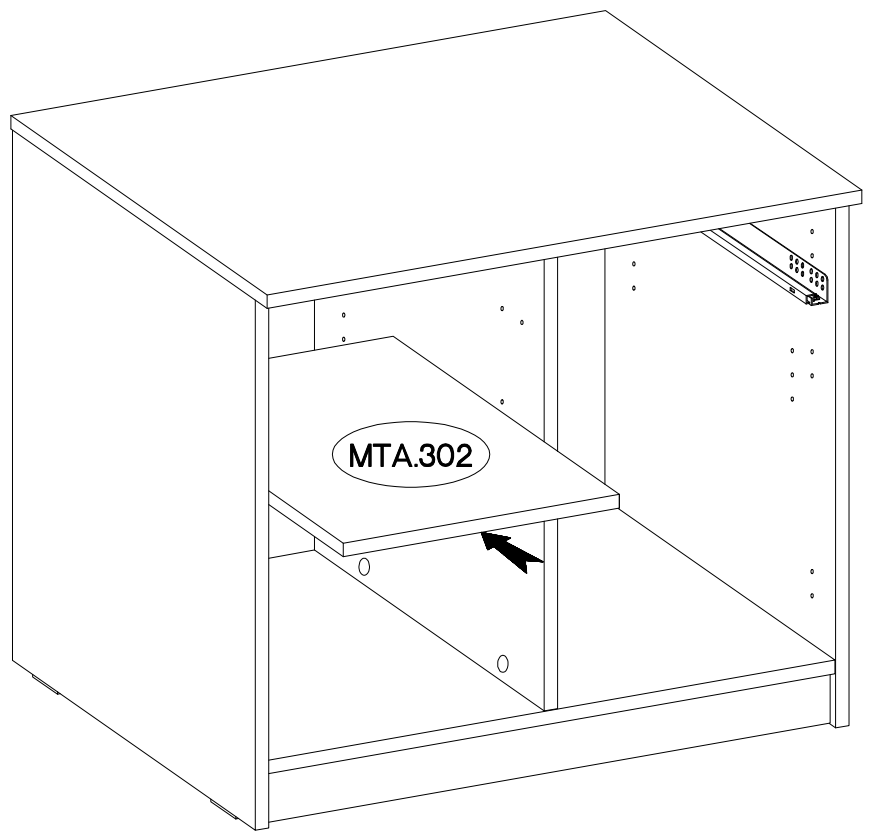
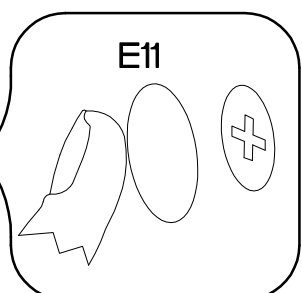
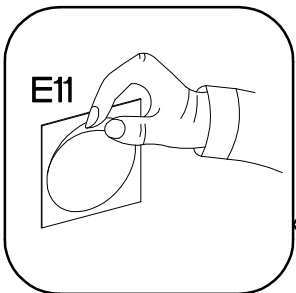
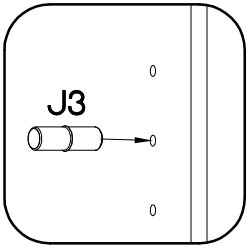



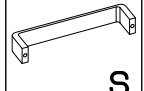

12

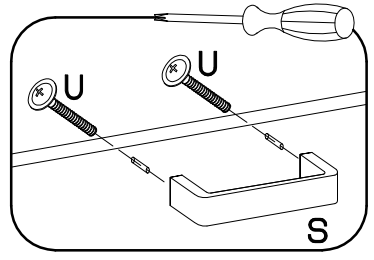
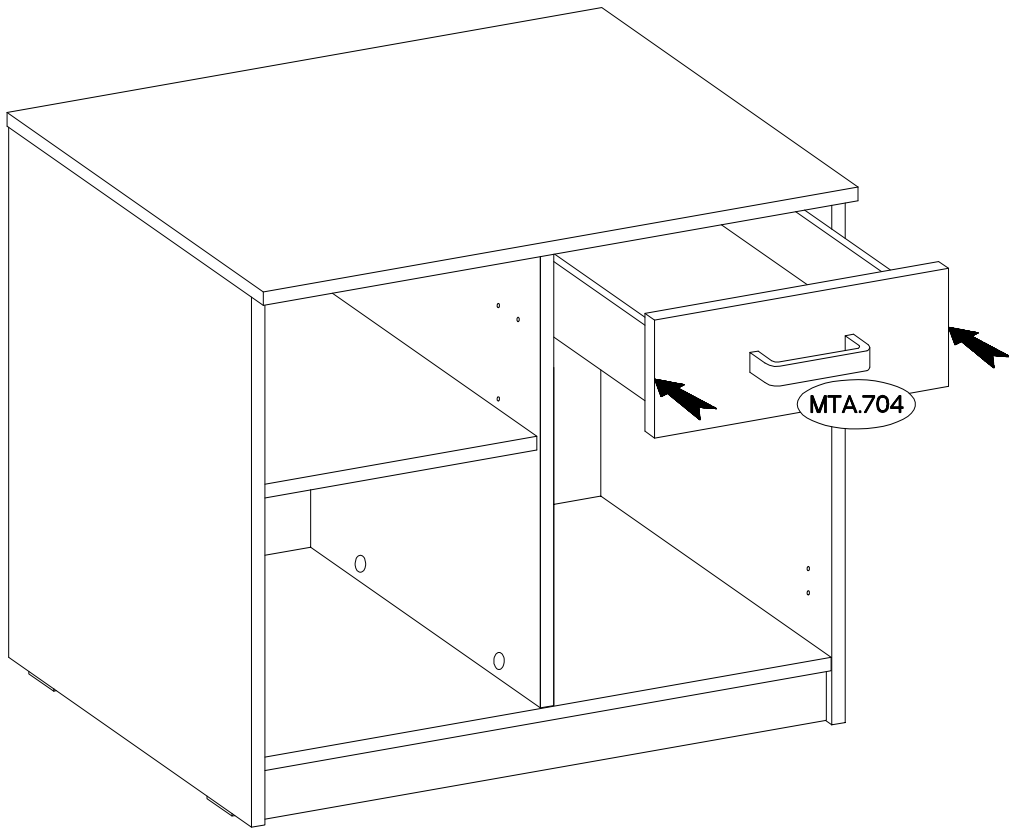


13

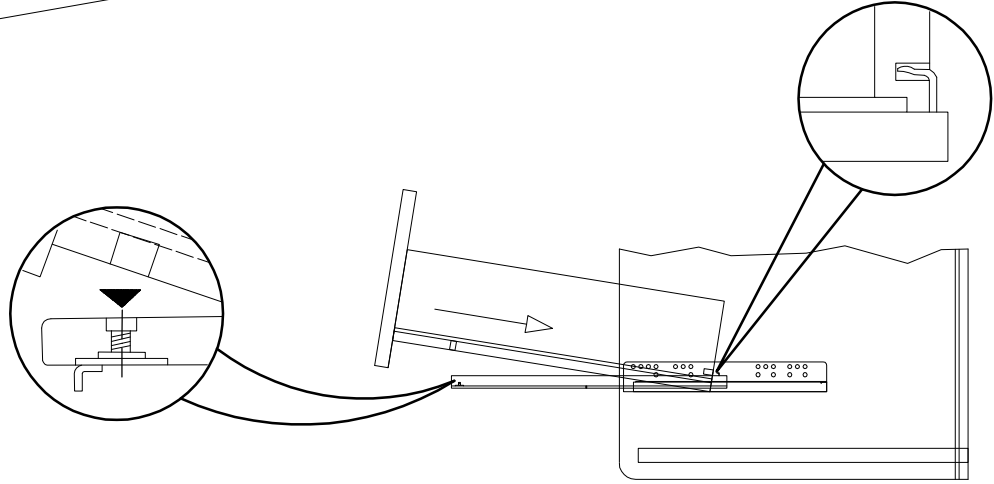
|                                                                                                           |                                                                                                         |
|-----------------------------------------------------------------------------------------------------------|---------------------------------------------------------------------------------------------------------|
| ±5/16mm<br><br>J3<br>4 | ±20<br><br>E11<br>10 |
|-----------------------------------------------------------------------------------------------------------|---------------------------------------------------------------------------------------------------------|



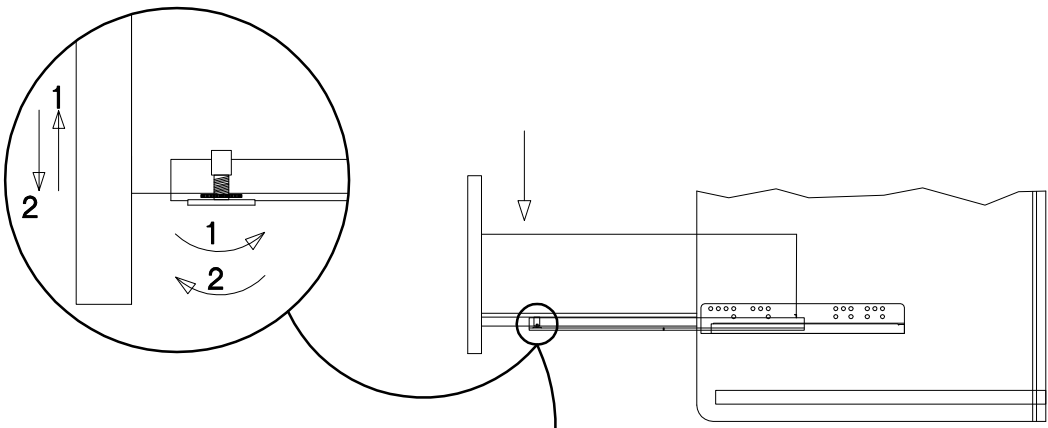
|                                                                                                            |                                                                                                         |                                                                                                         |
|------------------------------------------------------------------------------------------------------------|---------------------------------------------------------------------------------------------------------|---------------------------------------------------------------------------------------------------------|
| ±3.0x20mm<br><br>P7<br>2 | L=128mm<br><br>S<br>1 | M4x22mm<br><br>U<br>2 |
|------------------------------------------------------------------------------------------------------------|---------------------------------------------------------------------------------------------------------|---------------------------------------------------------------------------------------------------------|



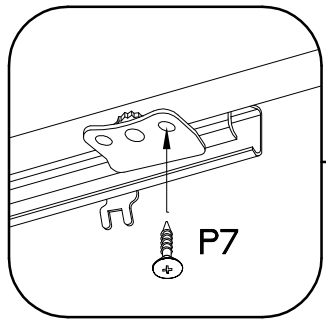
1.

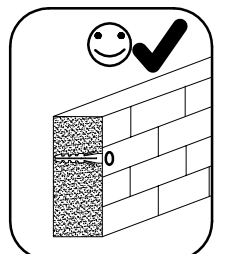
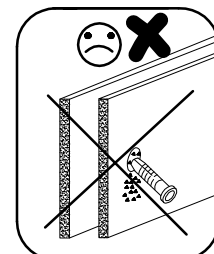
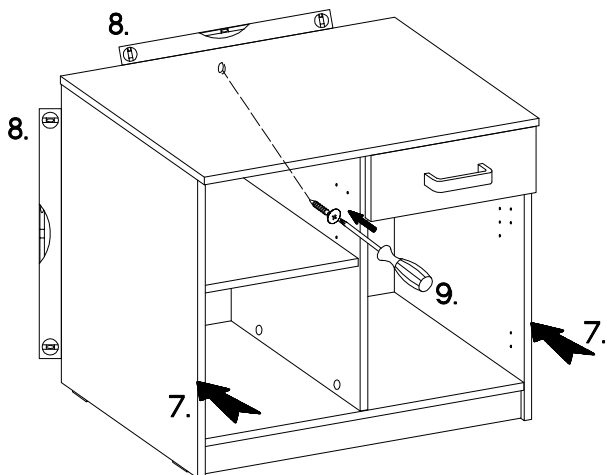
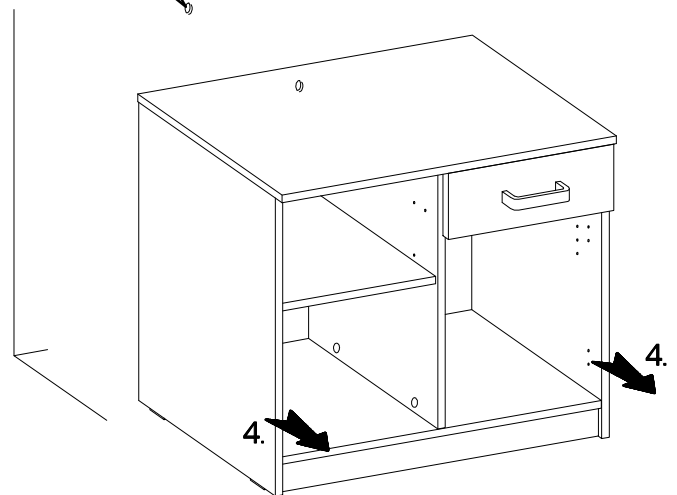
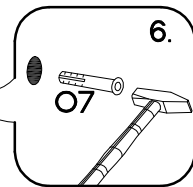
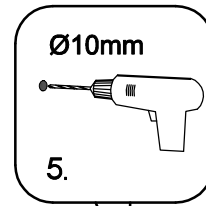
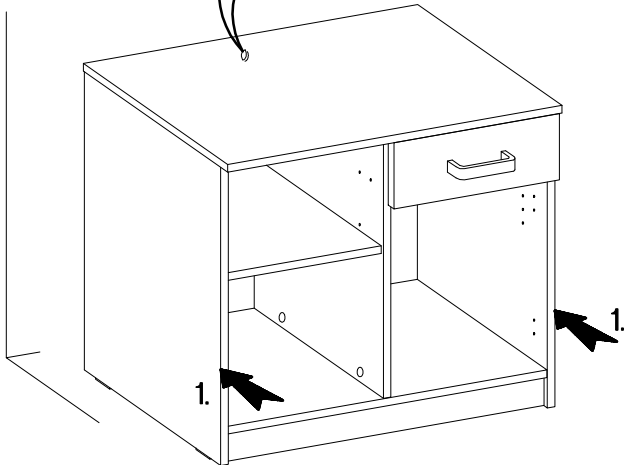
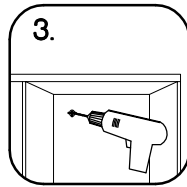
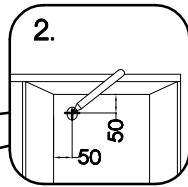
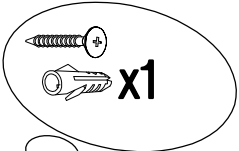
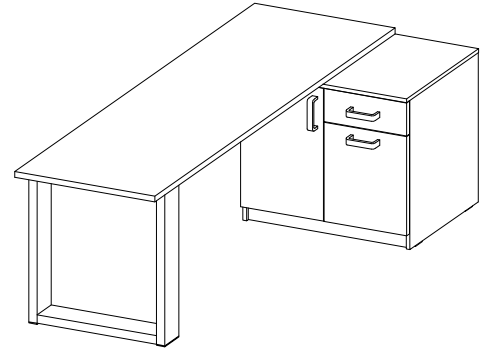
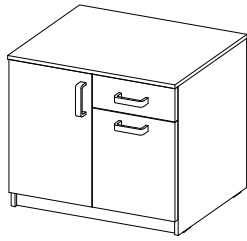


2.



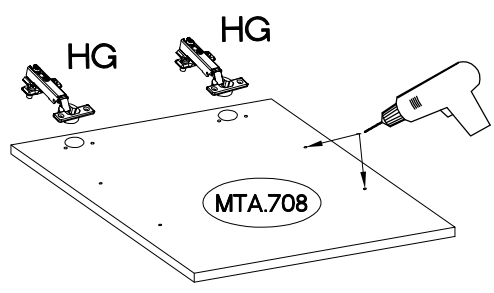
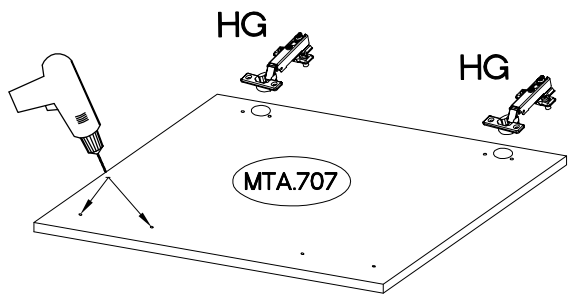
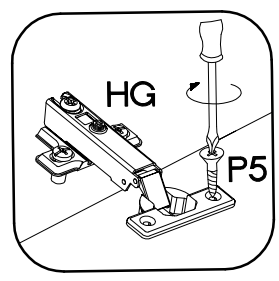
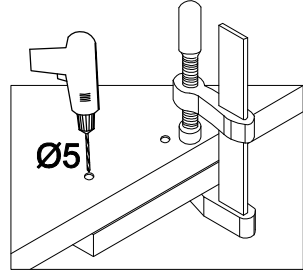
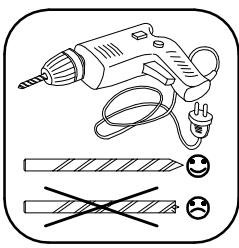
3.





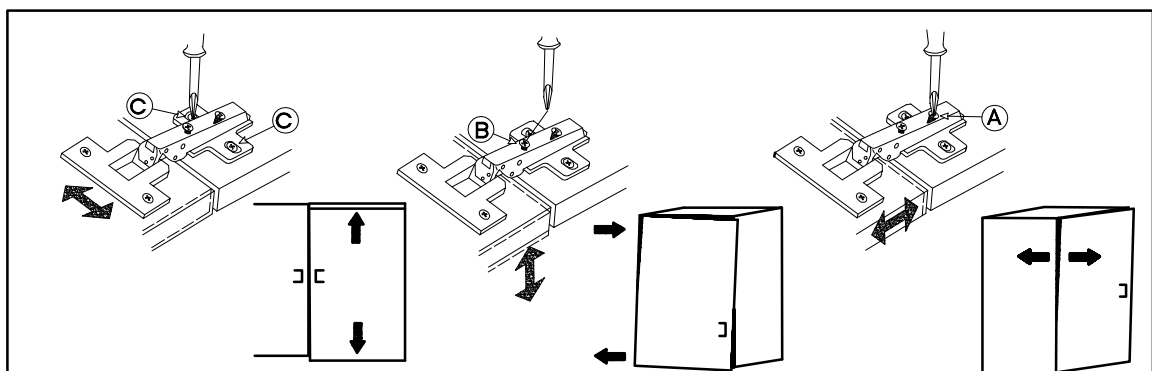
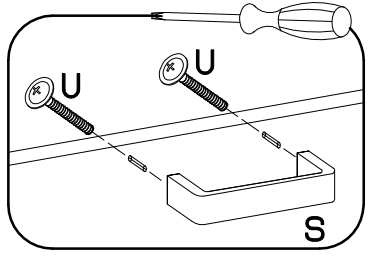
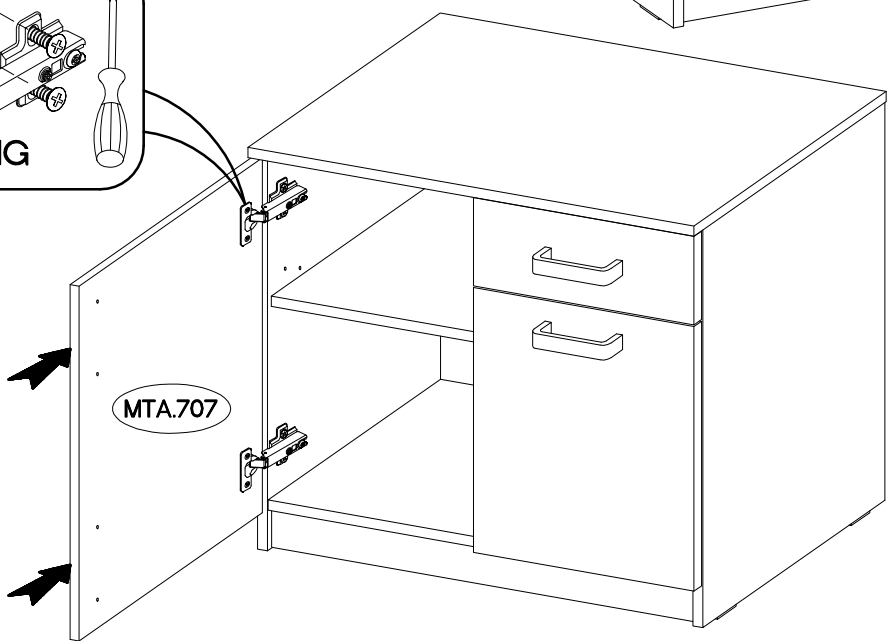
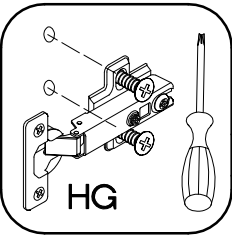
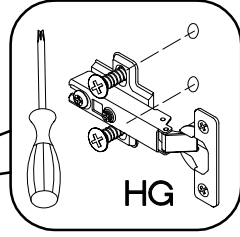
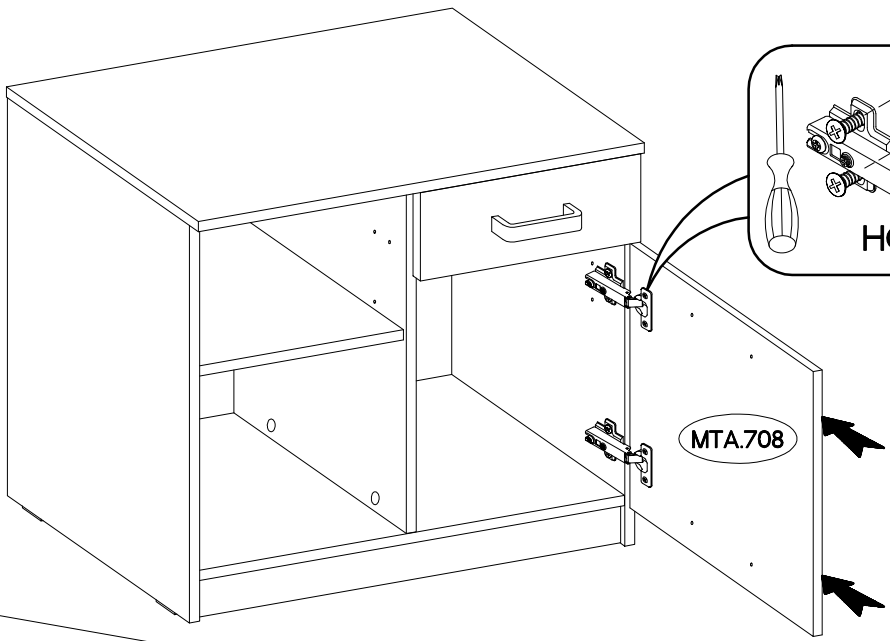
16





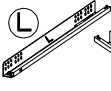

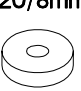


|                    |                      |
|--------------------|----------------------|
| ±35/0mm<br>HG<br>4 | ±3.5x13mm<br>P5<br>8 |
|--------------------|----------------------|

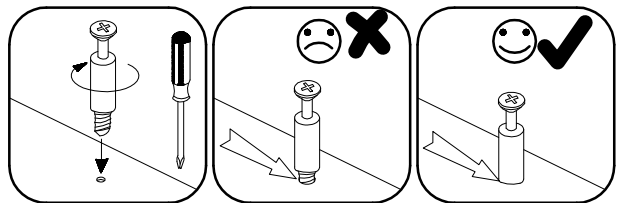
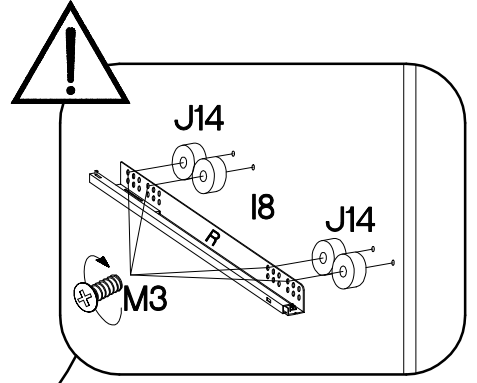
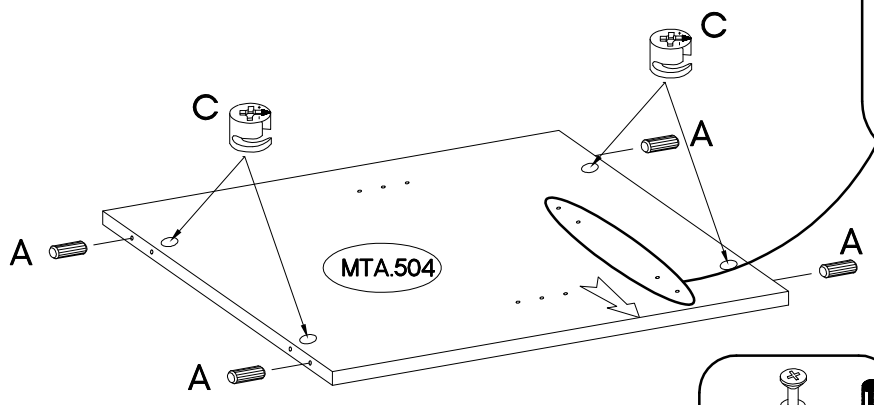
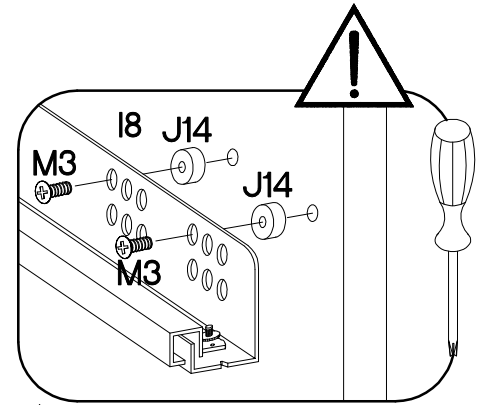
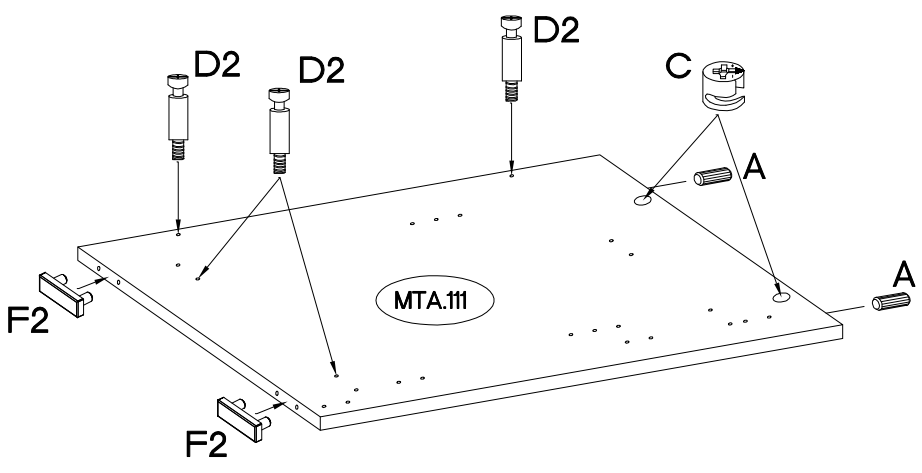
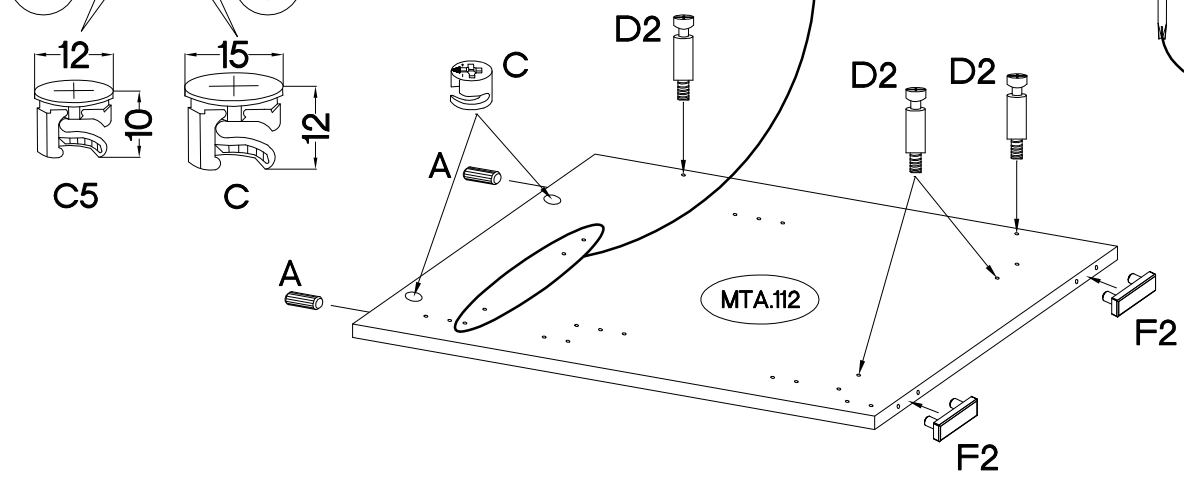
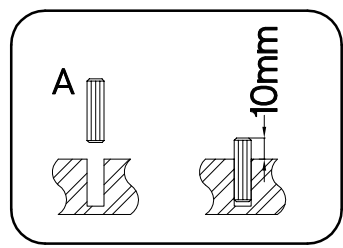
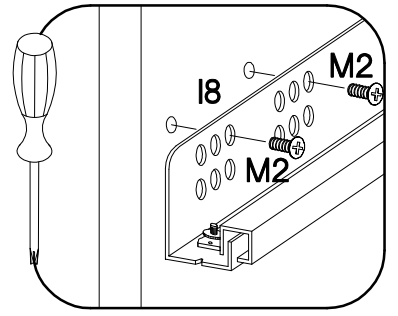
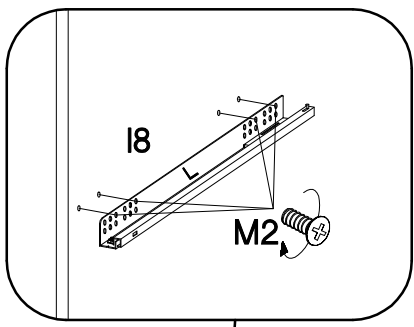
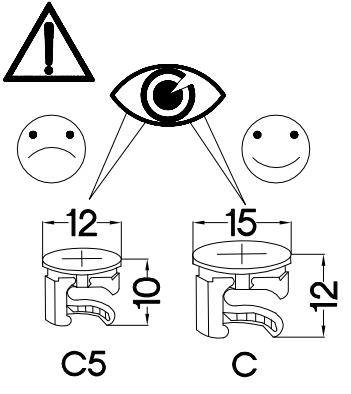
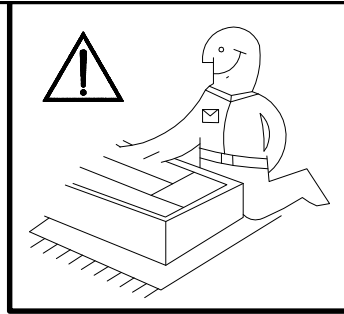


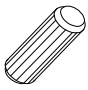


17

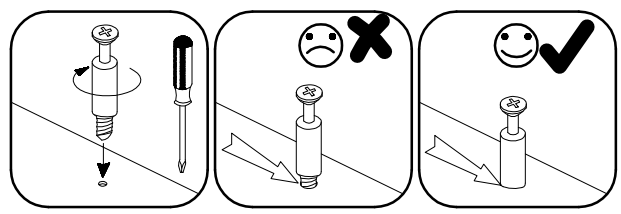
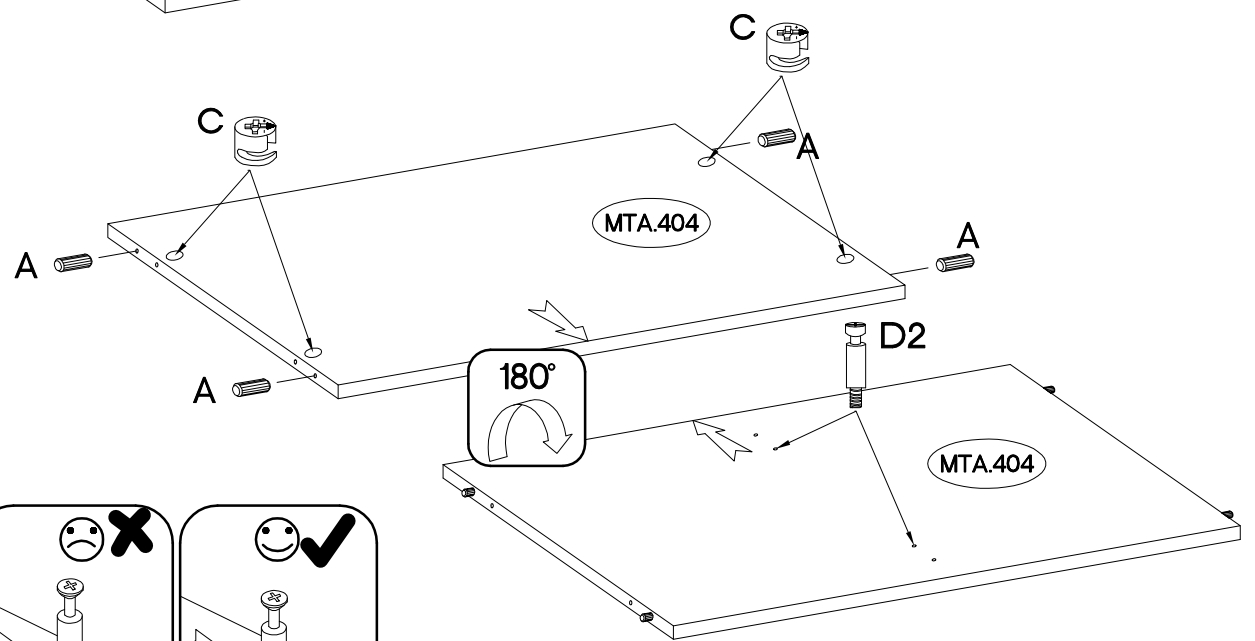
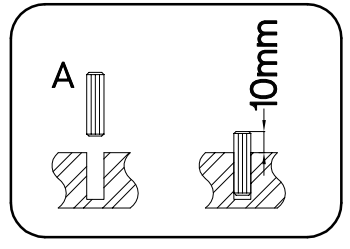
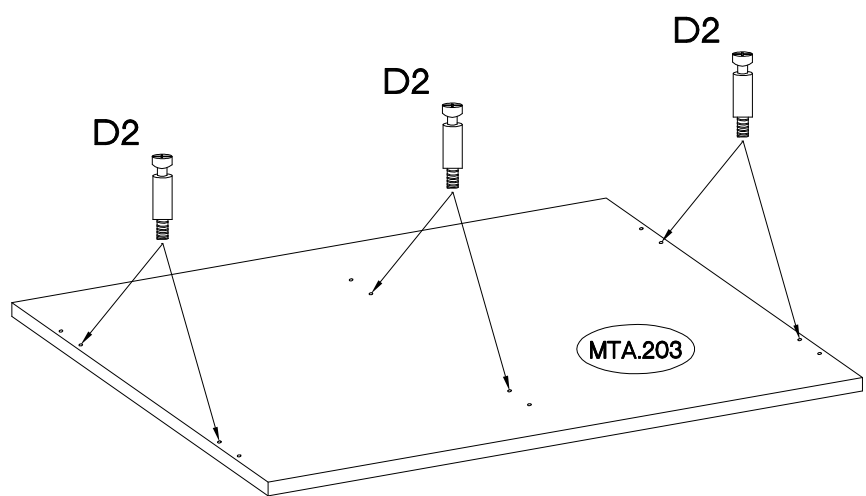
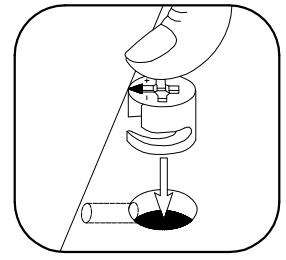
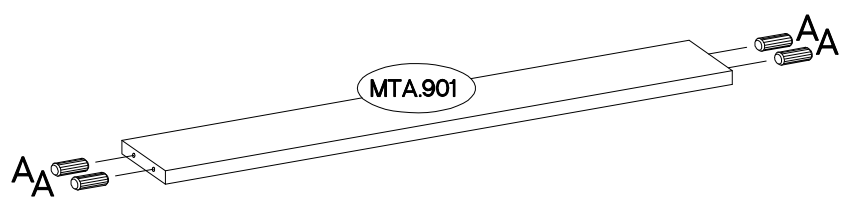
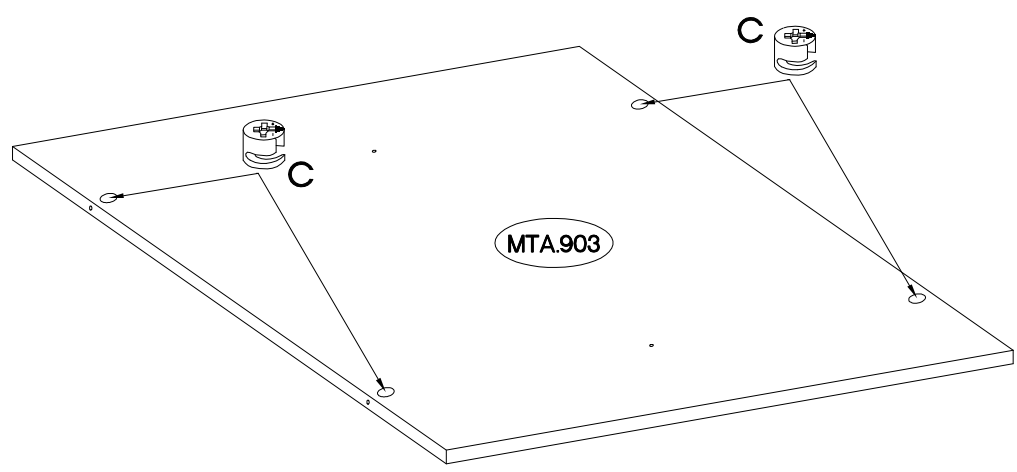
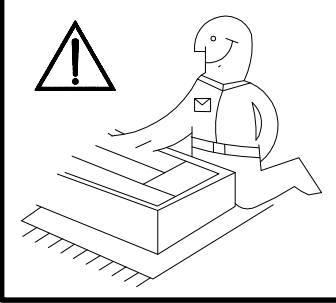
|                   |                   |
|-------------------|-------------------|
| L=128mm<br>S<br>2 | M4x22mm<br>U<br>4 |
|-------------------|-------------------|



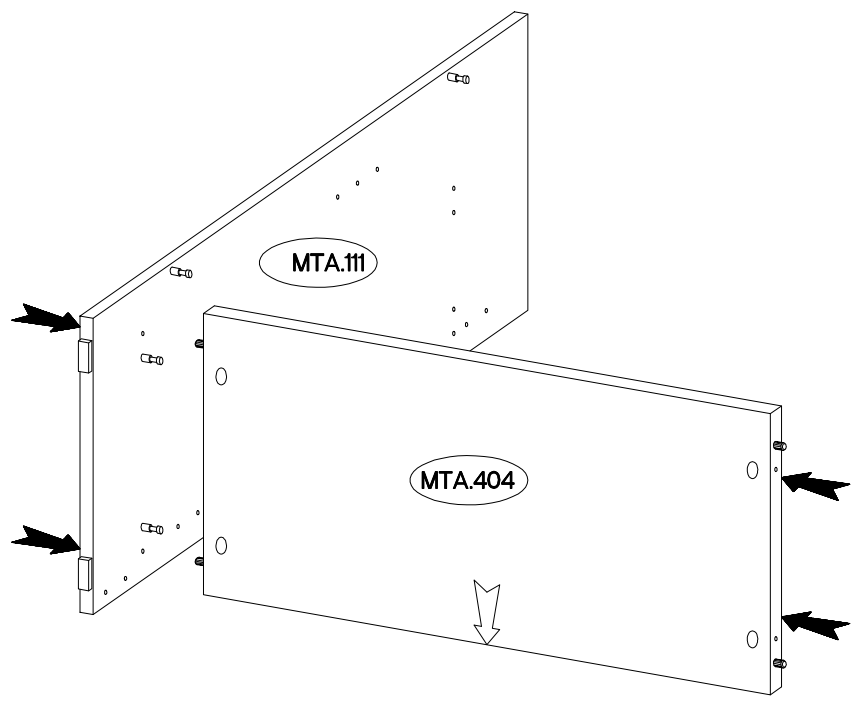
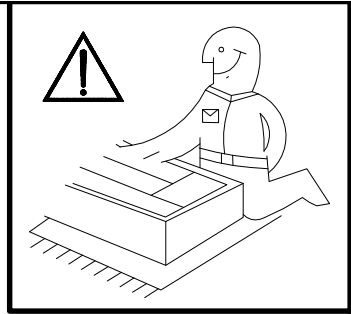
|                                                                                                                                       |                                                                                                                                       |                                                                                                                 |                                                                                                                             |                                                                                                                 |                                                                                                     |                                                                                                                               |
|---------------------------------------------------------------------------------------------------------------------------------------|---------------------------------------------------------------------------------------------------------------------------------------|-----------------------------------------------------------------------------------------------------------------|-----------------------------------------------------------------------------------------------------------------------------|-----------------------------------------------------------------------------------------------------------------|-----------------------------------------------------------------------------------------------------|-------------------------------------------------------------------------------------------------------------------------------|
| $\varnothing 8 \times 30 \text{mm}$<br><br>8<br>4     | $6.5 \times 48 \times 16$<br><br>F2<br>4              | $L=20 \text{mm}$<br><br>D2<br>8 | $\varnothing 15/12 \text{mm}$<br><br>C<br>8 | $L=350 \text{mm}$<br><br>L<br>1 | [CD]<br><br>I8<br>1 | $\varnothing 20/8 \text{mm}$<br><br>J14<br>4 |
| $\varnothing 6.3 \times 13 \text{mm}$<br><br>M2<br>4 | $\varnothing 6.3 \times 20 \text{mm}$<br><br>M3<br>4 |                                                                                                                 |                                                                                                                             |                                                                                                                 |                                                                                                     |                                                                                                                               |



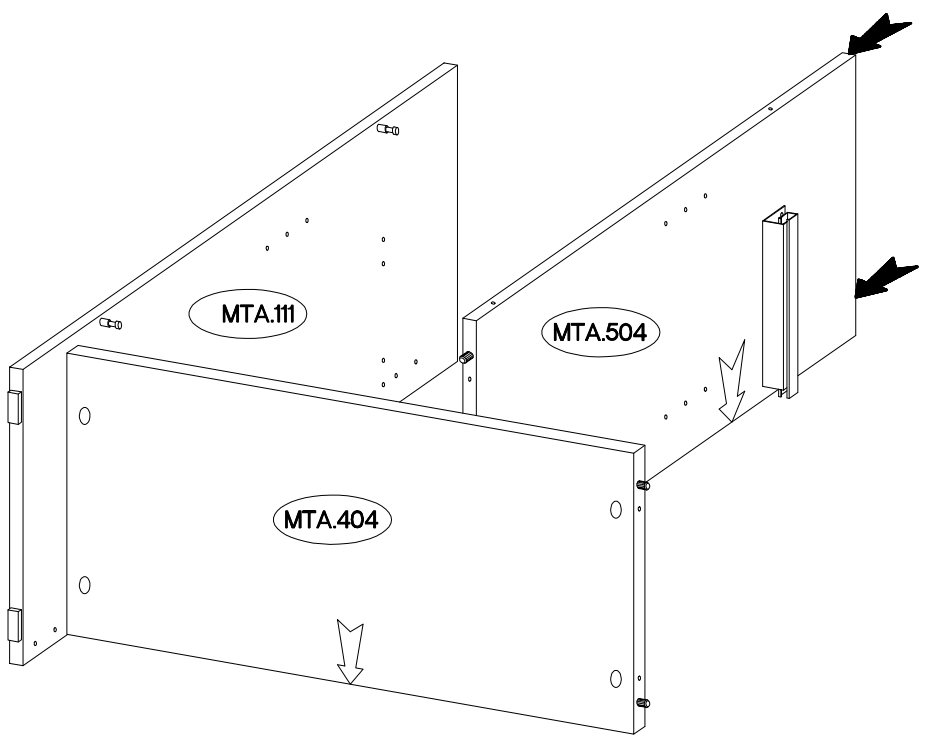
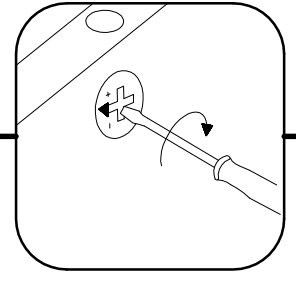
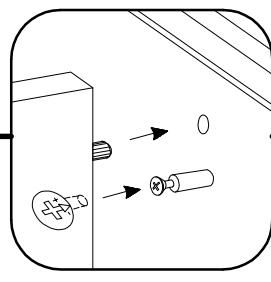
|                                                                                                                                   |                                                                                                                               |                                                                                                       |
|-----------------------------------------------------------------------------------------------------------------------------------|-------------------------------------------------------------------------------------------------------------------------------|-------------------------------------------------------------------------------------------------------|
| $\varnothing 8 \times 30 \text{mm}$<br><br>A<br>8 | $\varnothing 15 / 12 \text{mm}$<br><br>C<br>8 | L=20mm<br><br>D2<br>8 |
|-----------------------------------------------------------------------------------------------------------------------------------|-------------------------------------------------------------------------------------------------------------------------------|-------------------------------------------------------------------------------------------------------|



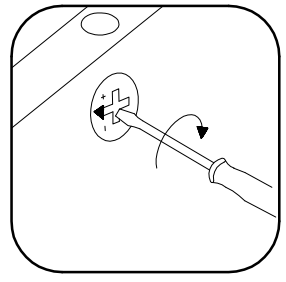
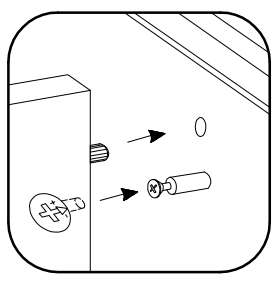
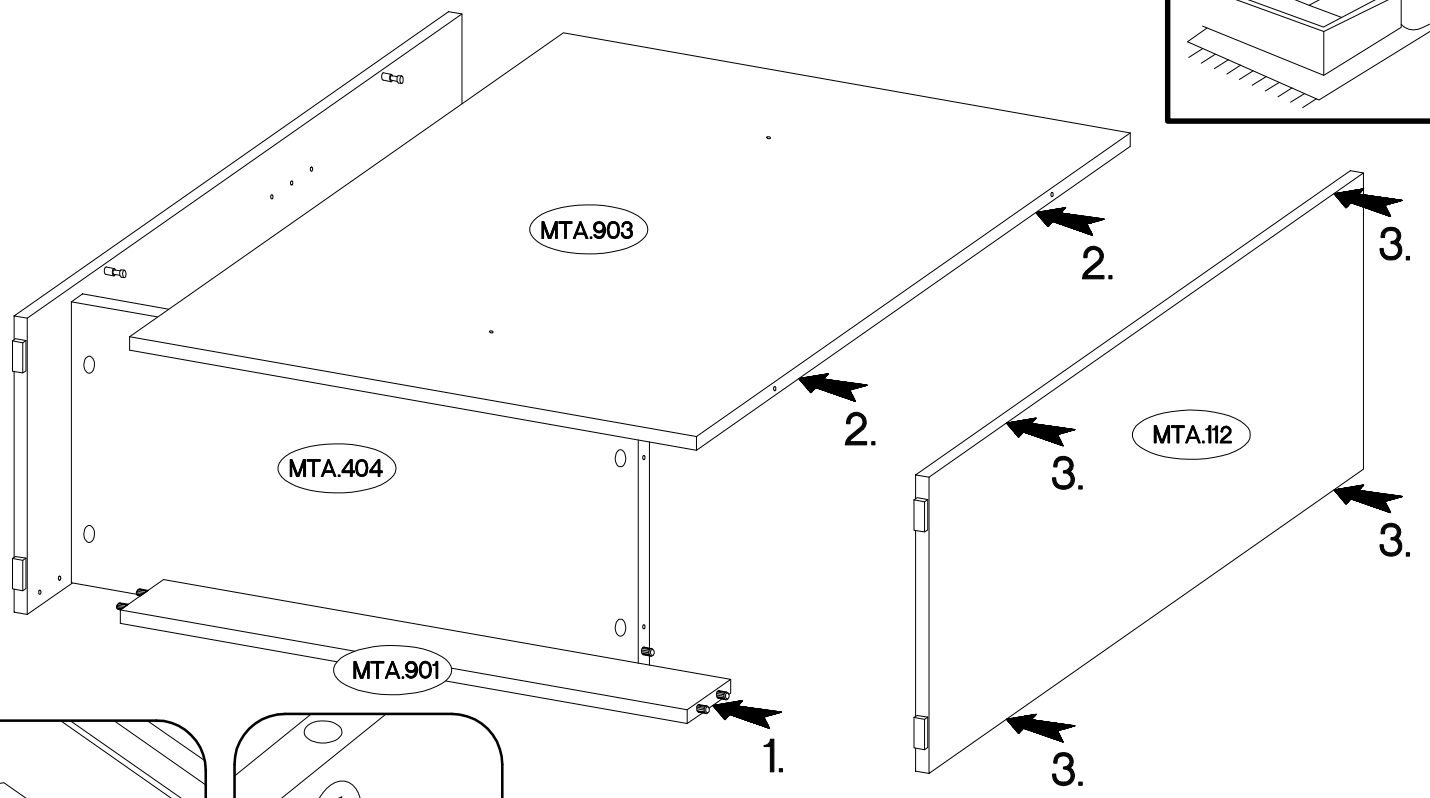
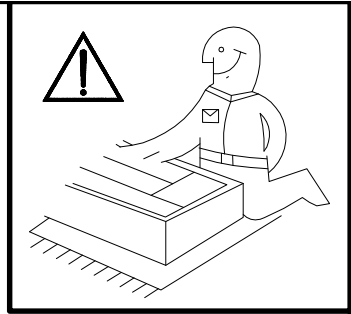
20



21

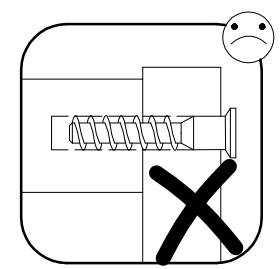
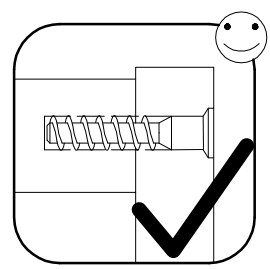
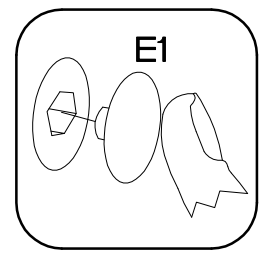
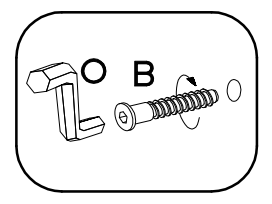
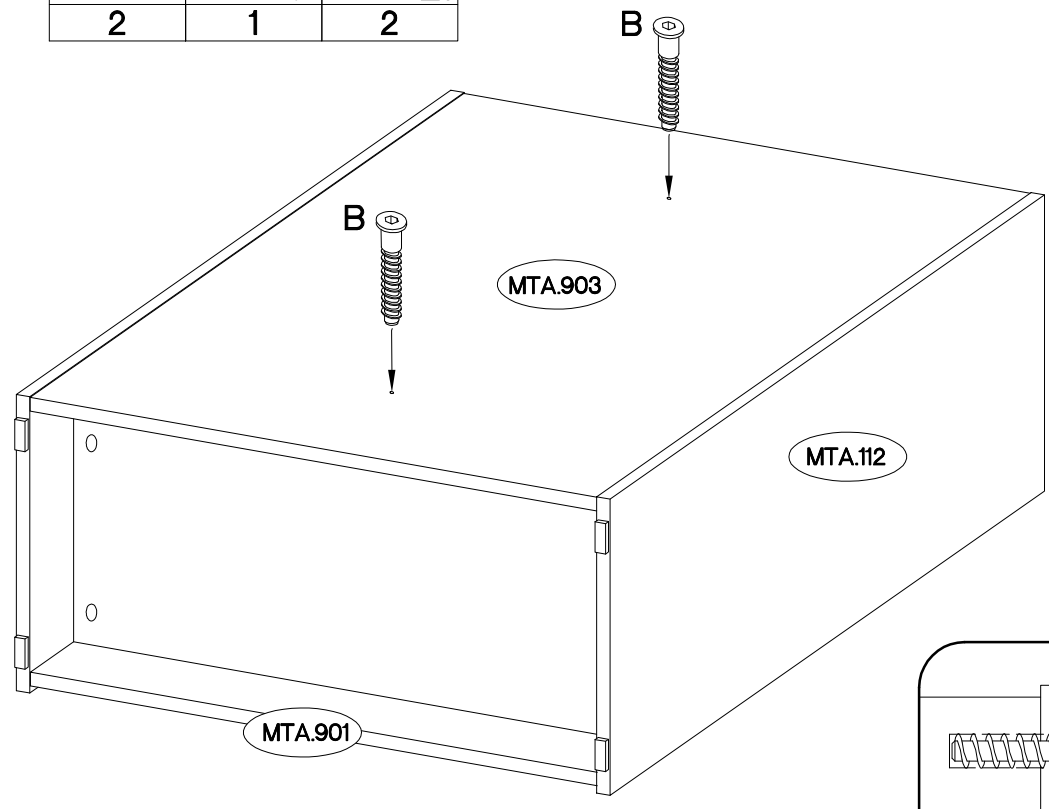


# 22

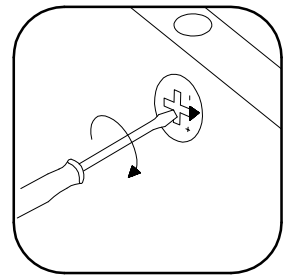
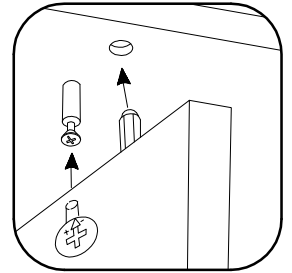
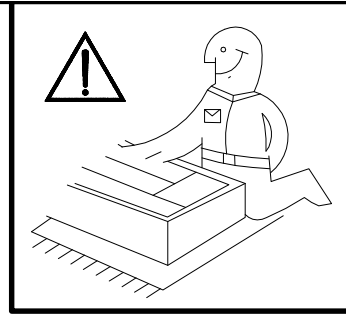
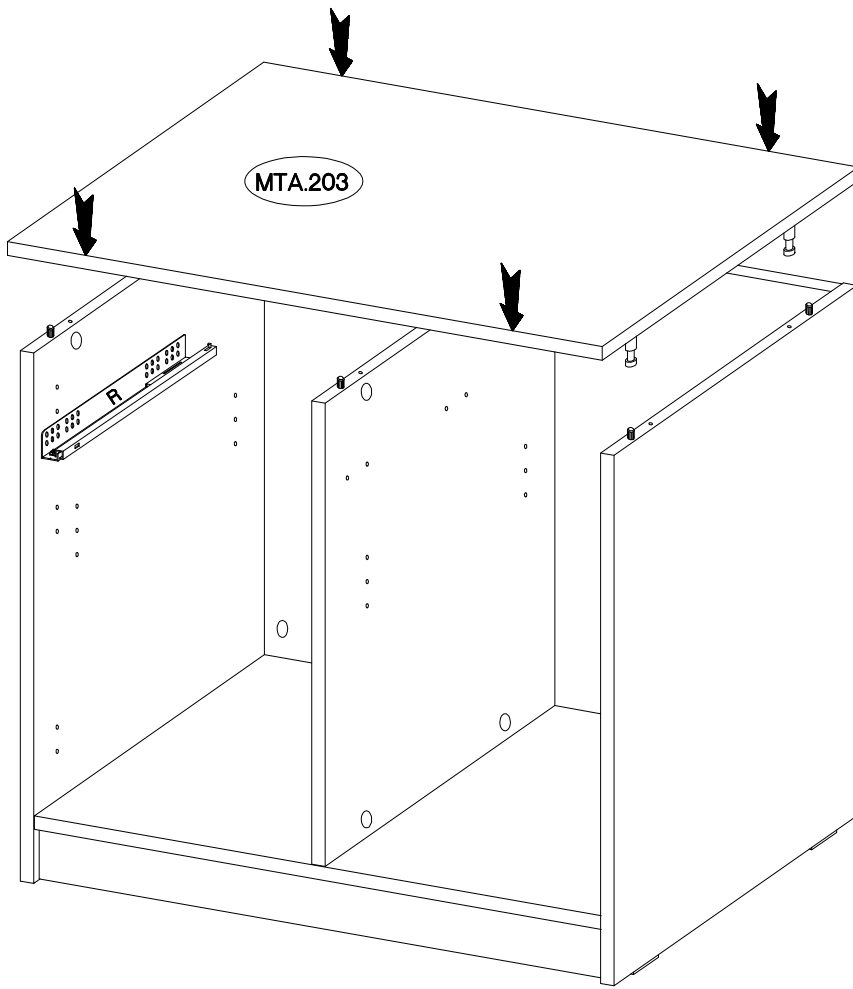


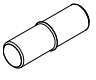
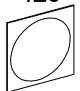
# 23

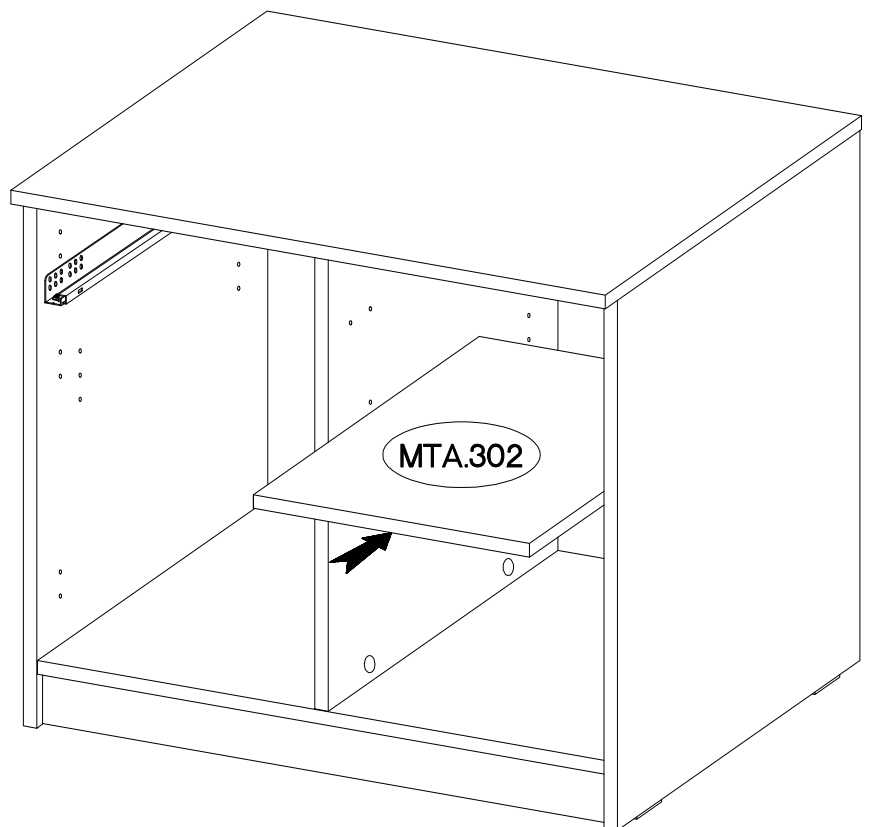
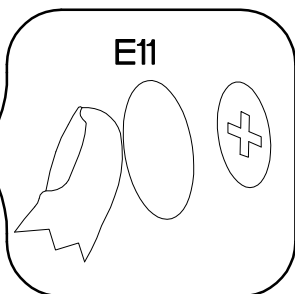
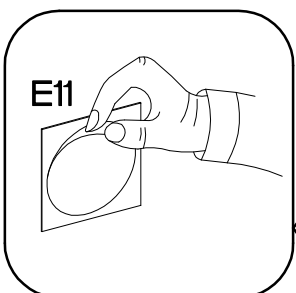
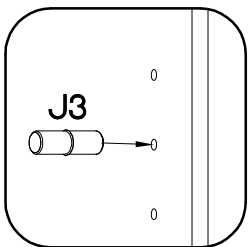
|            |   |   |    |
|------------|---|---|----|
| 6,4 x 50mm |   |   |    |
|            | B | O | E1 |
|            | 2 | 1 | 2  |






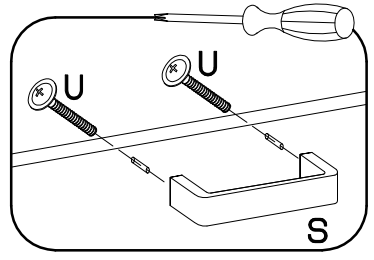
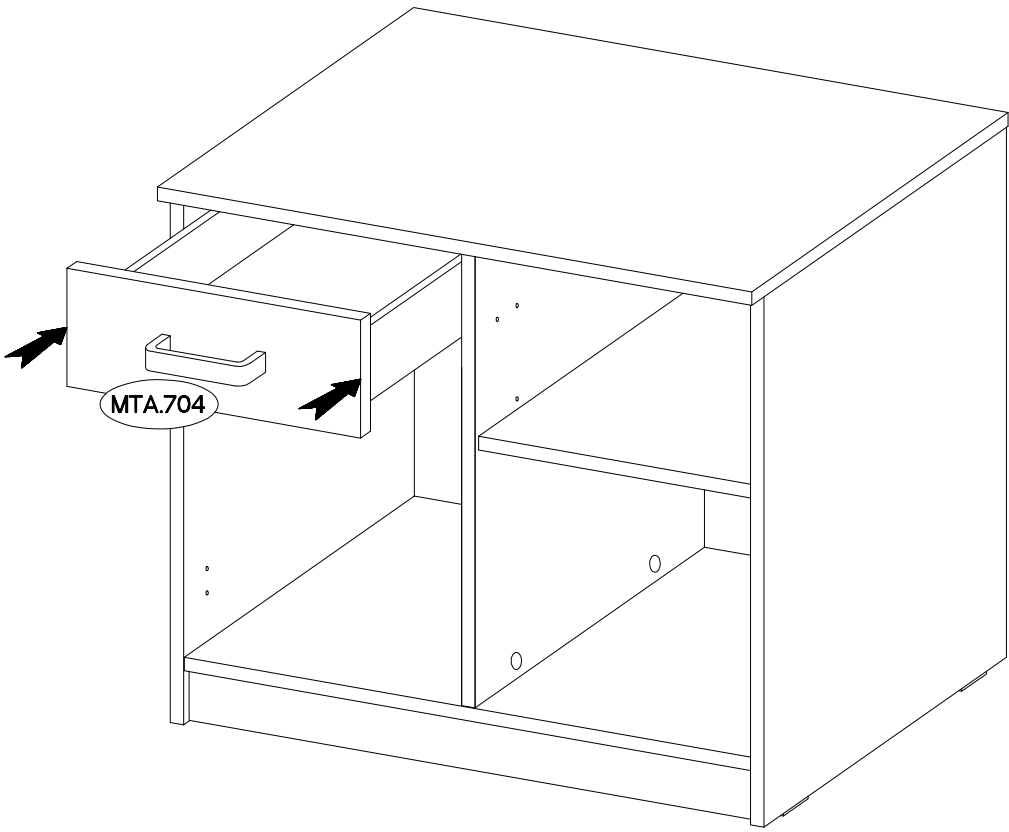




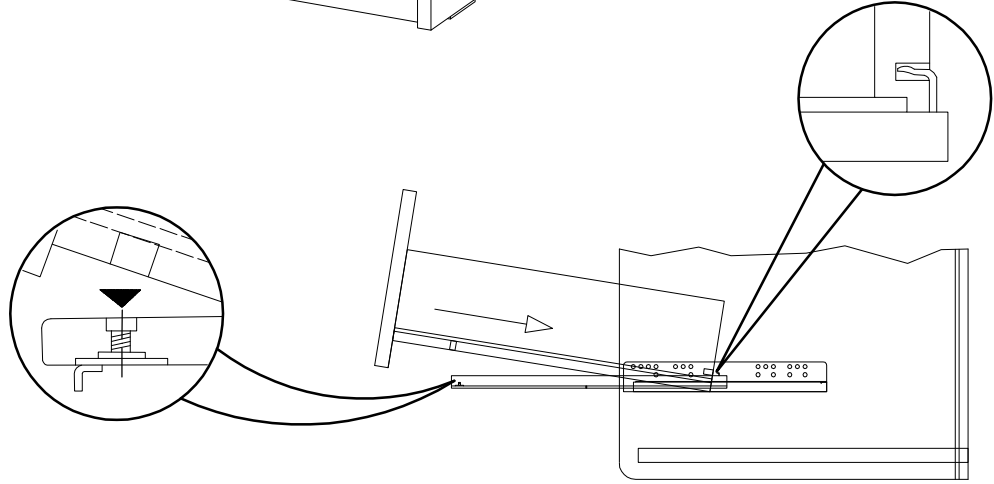
|                                                                                                                              |                                                                                                                     |
|------------------------------------------------------------------------------------------------------------------------------|---------------------------------------------------------------------------------------------------------------------|
| $\pm 5/16\text{mm}$<br><br><b>J3</b><br>4 | $\pm 20$<br><br><b>E11</b><br>10 |
|------------------------------------------------------------------------------------------------------------------------------|---------------------------------------------------------------------------------------------------------------------|



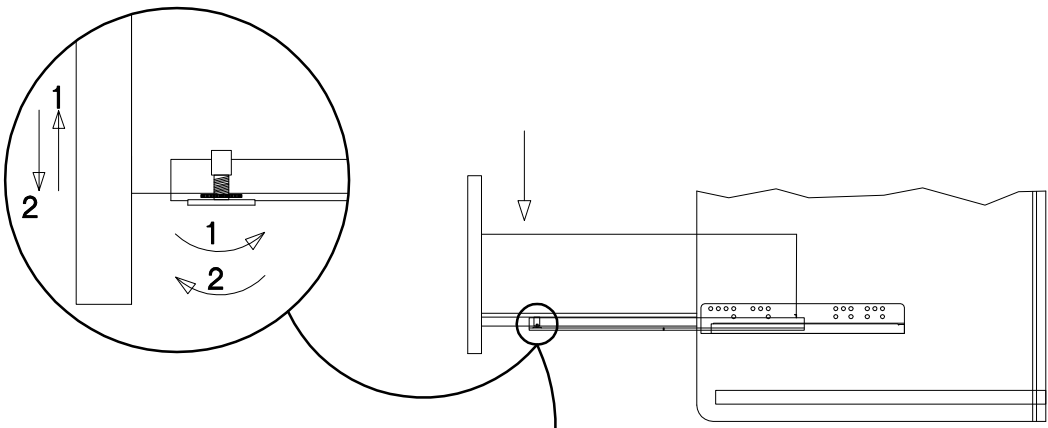
|                                                                                                                                |                                                                                                         |                                                                                                         |
|--------------------------------------------------------------------------------------------------------------------------------|---------------------------------------------------------------------------------------------------------|---------------------------------------------------------------------------------------------------------|
| $\pm 3.0 \times 20 \text{mm}$<br><br>P7<br>2 | L=128mm<br><br>S<br>1 | M4x22mm<br><br>U<br>2 |
|--------------------------------------------------------------------------------------------------------------------------------|---------------------------------------------------------------------------------------------------------|---------------------------------------------------------------------------------------------------------|



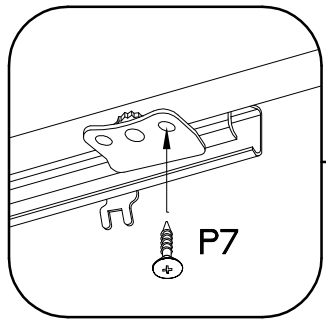
1.

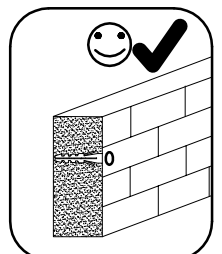
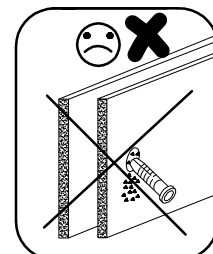
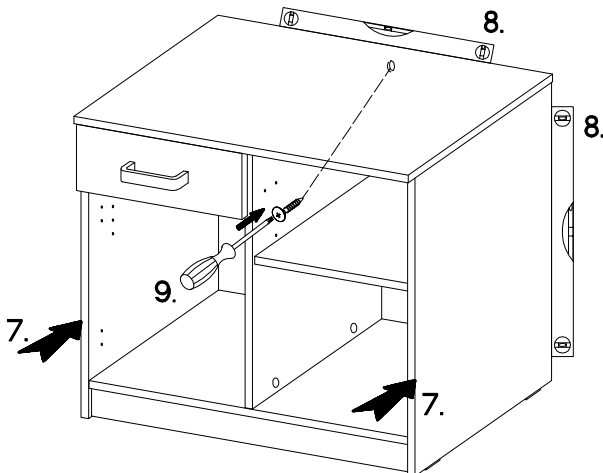
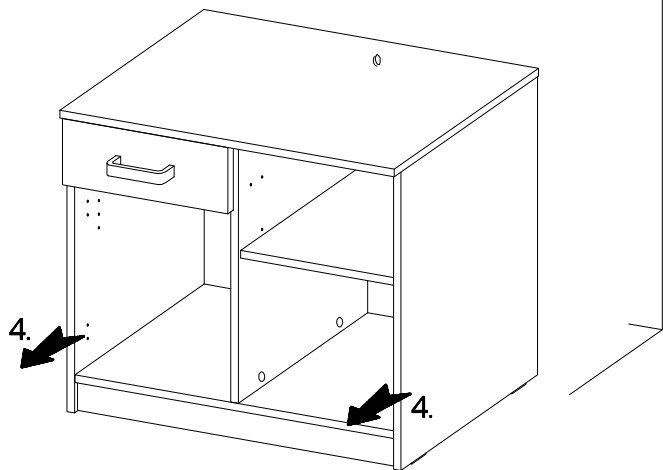
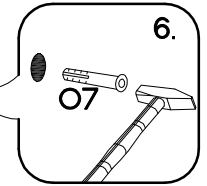
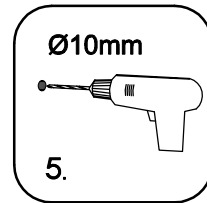
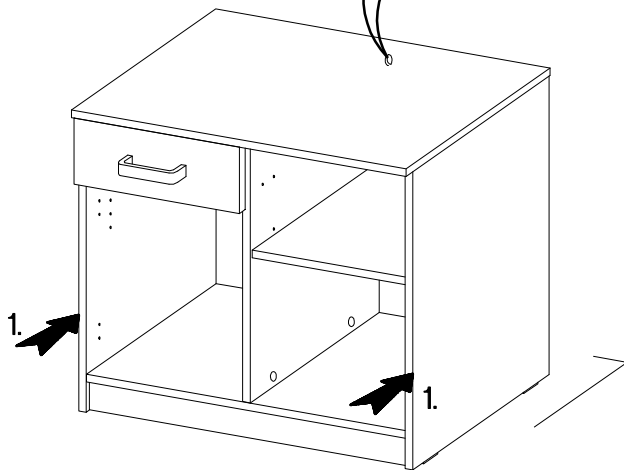
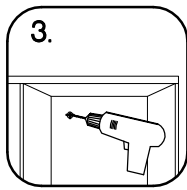
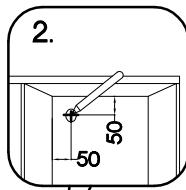
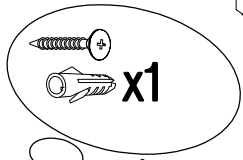
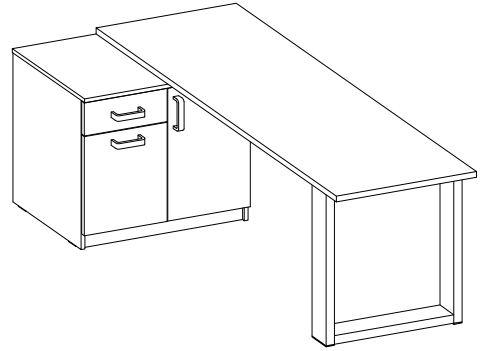
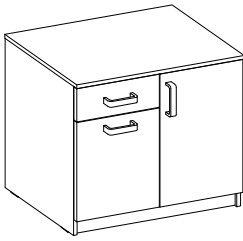


2.



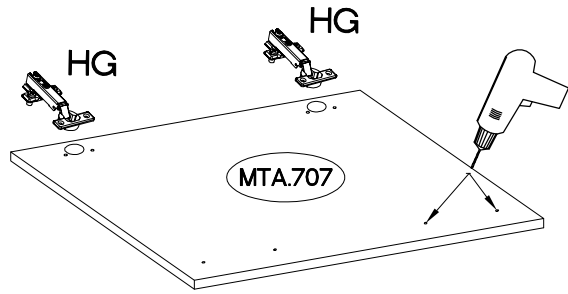
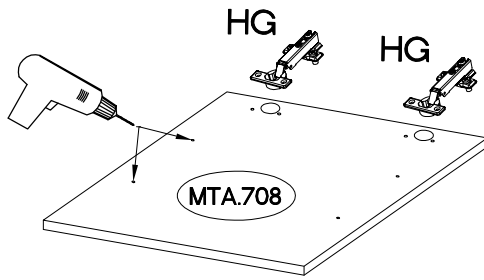
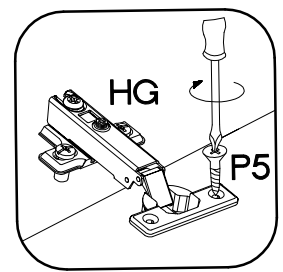
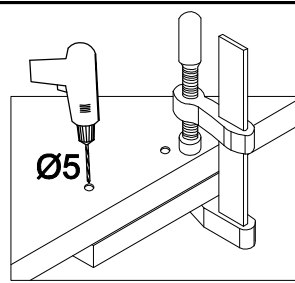
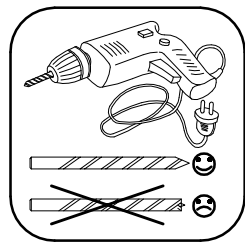
3.





28

|                    |                      |
|--------------------|----------------------|
| ±35/0mm<br>HG<br>4 | ±3.5x13mm<br>P5<br>8 |
|--------------------|----------------------|



29

|                   |                   |
|-------------------|-------------------|
| L=128mm<br>S<br>2 | M4x22mm<br>U<br>4 |
|-------------------|-------------------|

