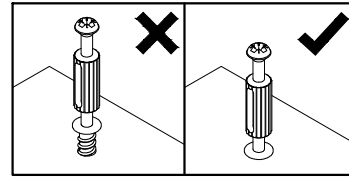
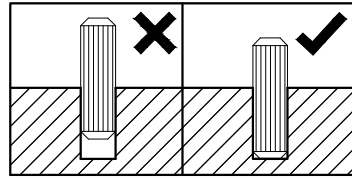


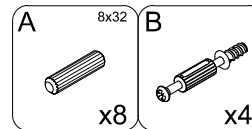
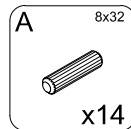
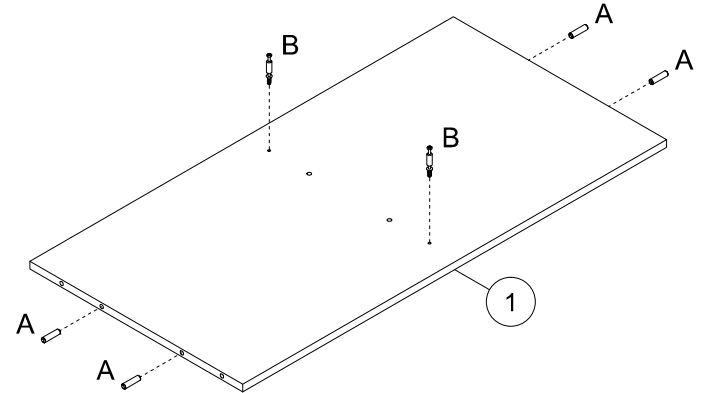
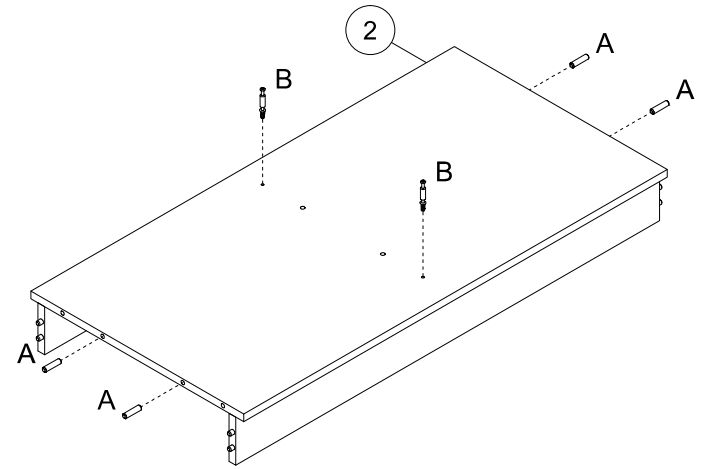
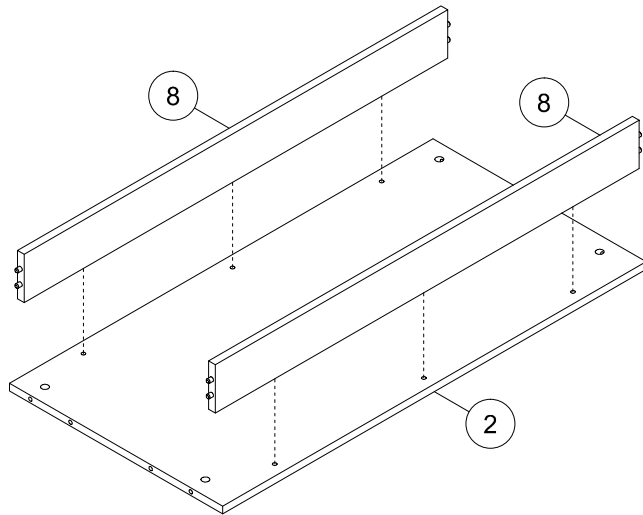
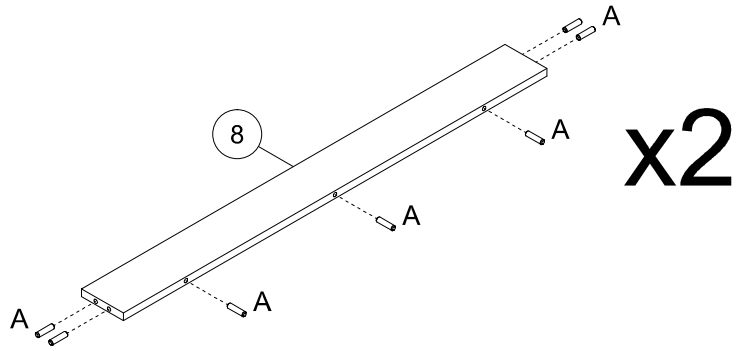
A	8x32	B	x42	C	x32		
DR	L-482	N	3x20	NM	4x30	ND	3.5x16
	x1		x89		x32		x41
R8		SI	x4	SP	x6	T	x2
	x3		x4		x6		x2
W+H2		V	3x13	Z	x8	ZC	x15
	x6		x6		x8		x15
						ZZ	x8
							x8

1	1014	510	16	x1	2 / 3
2	1014	510	16	x1	2 / 3
3L	2000	510	16	x1	1 / 3
3R	2000	510	16	x1	1 / 3
4	1867	491	16	x1	1 / 3
5	508	474	16	x2	2 / 3
6	490	490	16	x1	2 / 3
7	508	460	16	x2	2 / 3
8	1014	100	16	x2	2 / 3
9L	400	150	16	x2	2 / 3
9R	400	150	16	x2	2 / 3
10	433	145	16	x2	2 / 3
11	463	405	2.5	x2	1 / 3
12	1896	512	2.5	x2	1 / 3
13	1896	530	2.5	x1	1 / 3
14	236	500	16	x2	3 / 3
15	1860	500	16	x1	3 / 3
16	1380	500	16	x1	3 / 3
17	1860	18	18	x8	3 / 3

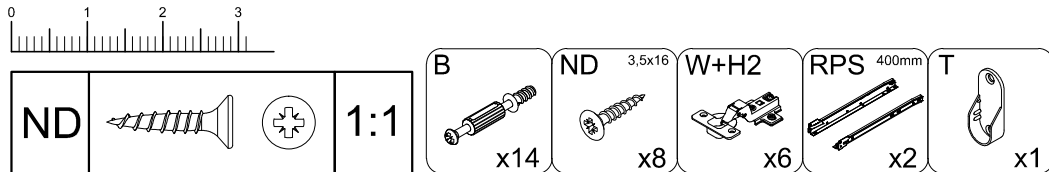
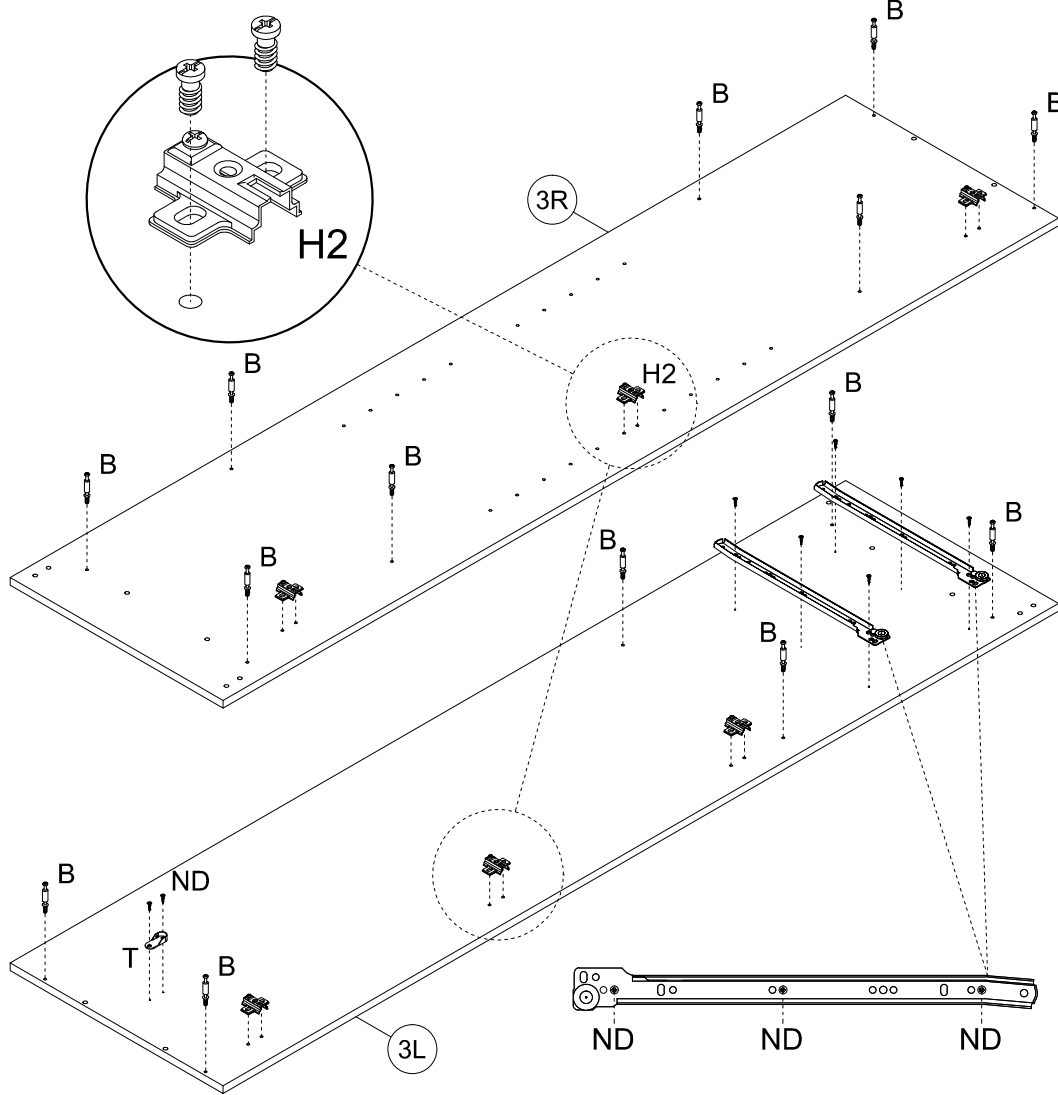
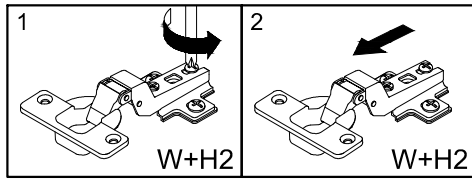
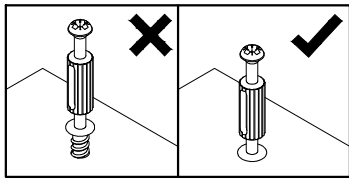
1



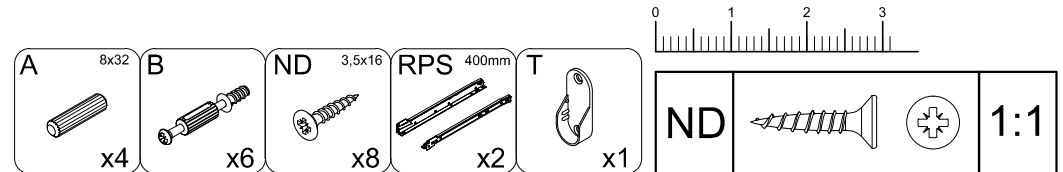
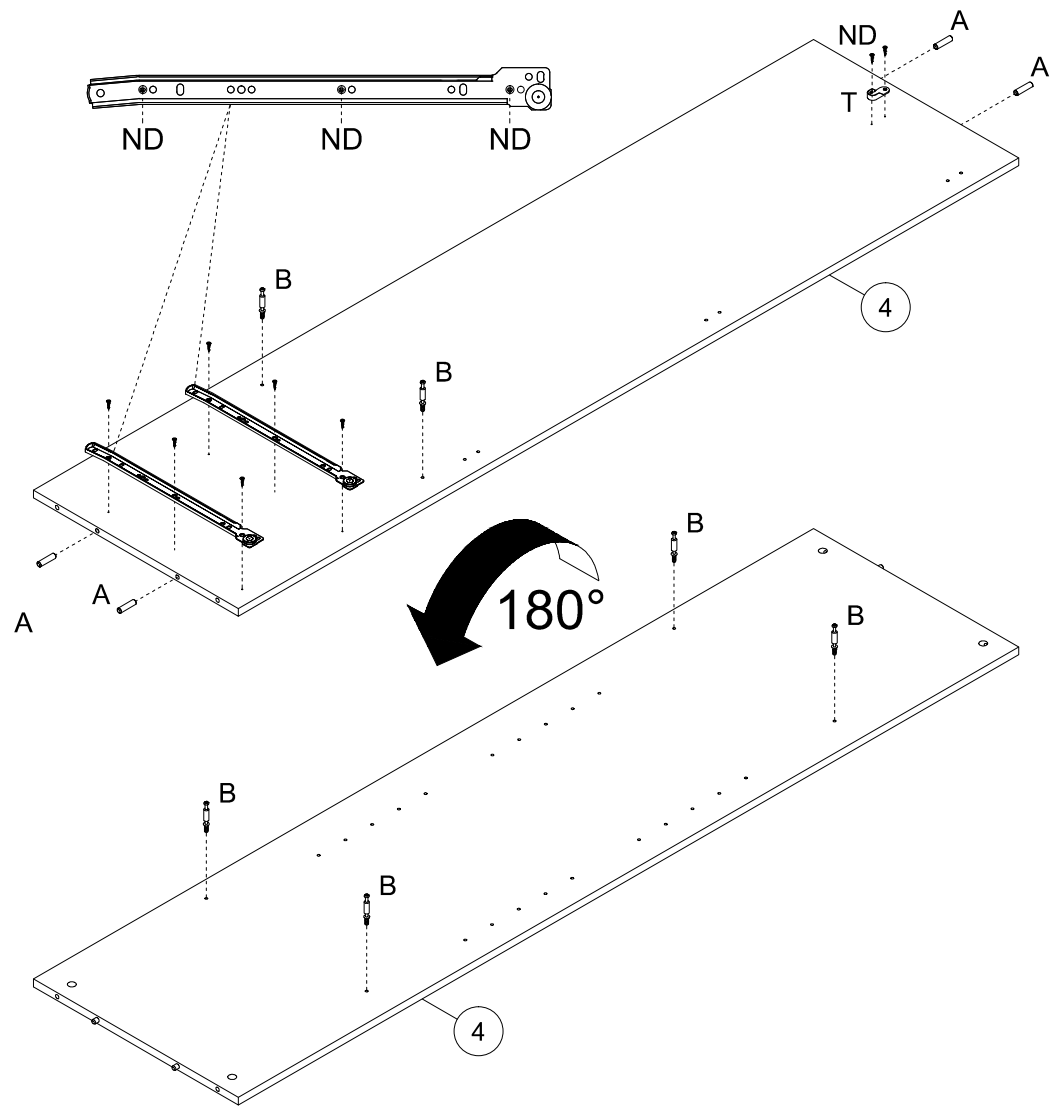
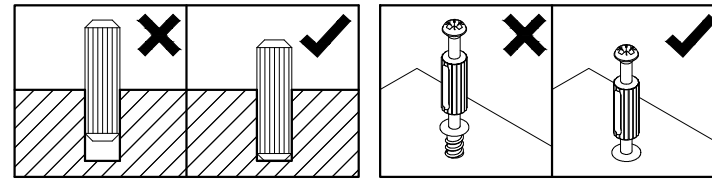
2



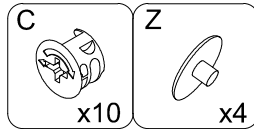
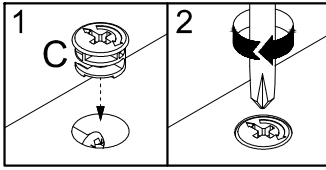
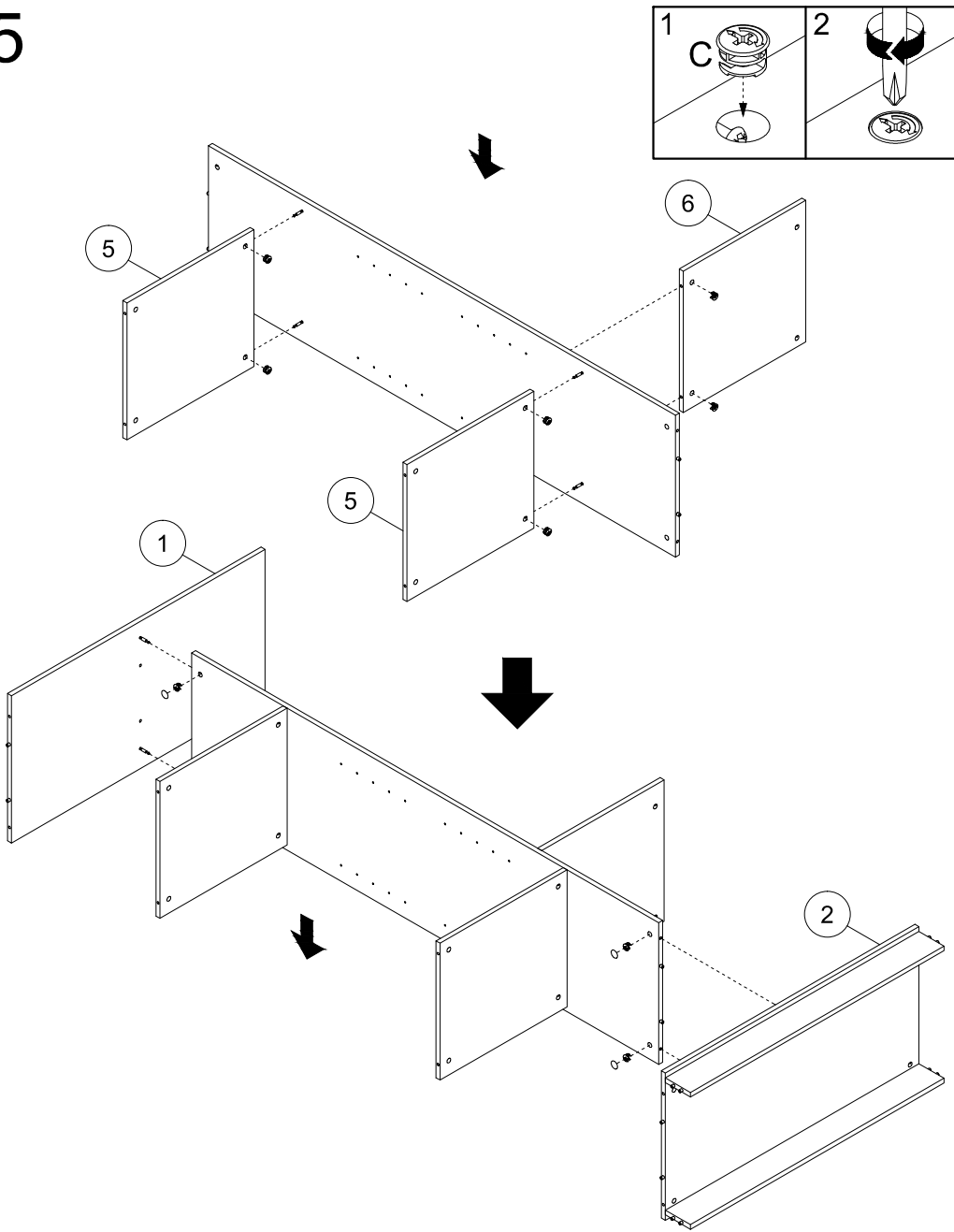
3



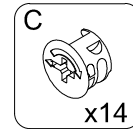
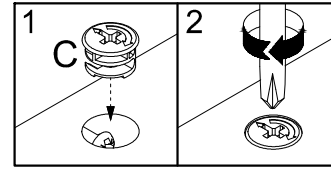
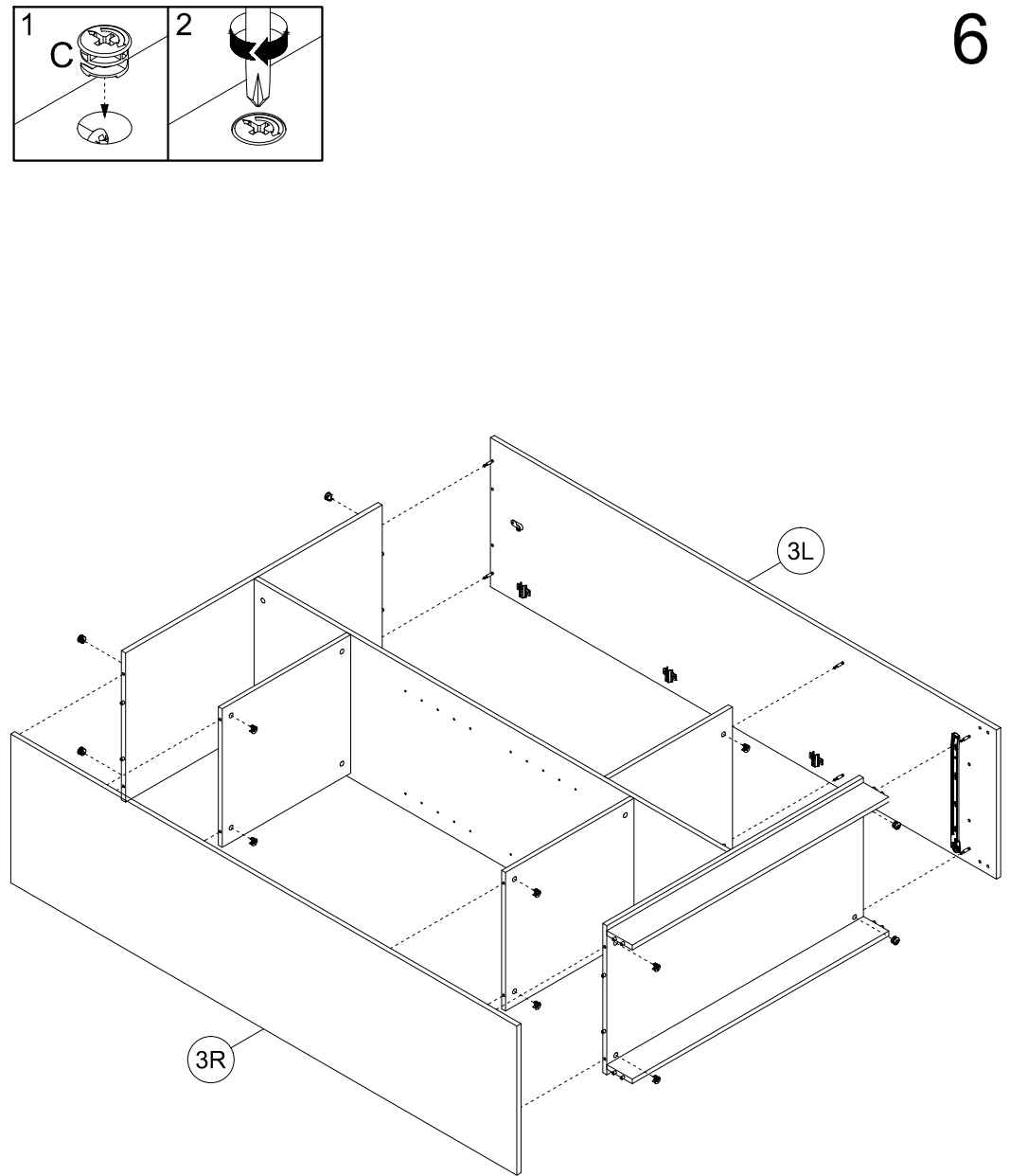
4



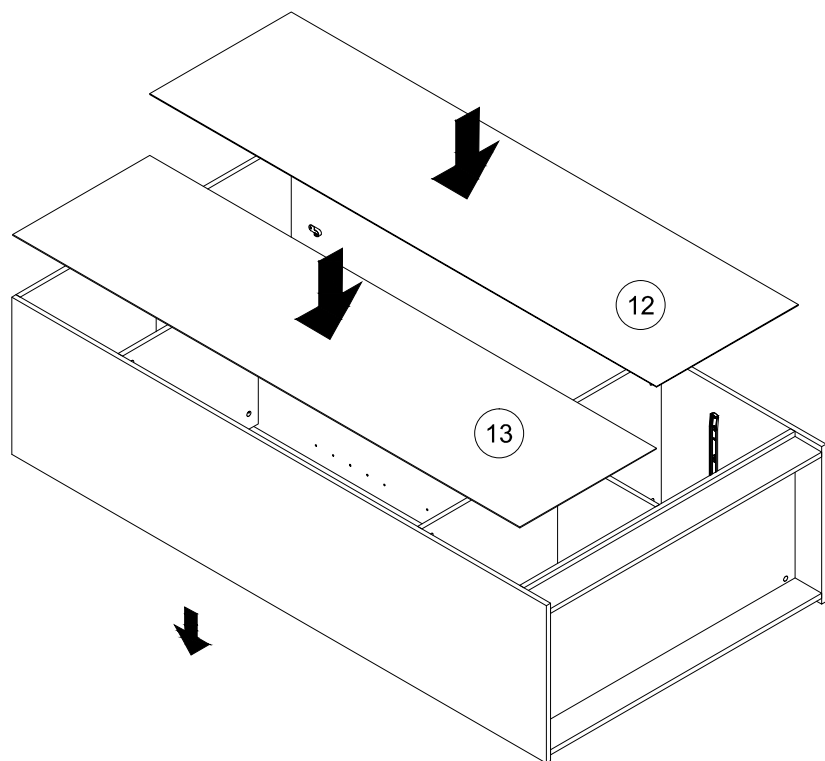
5



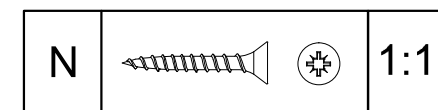
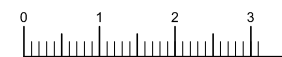
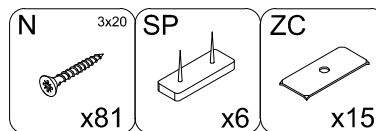
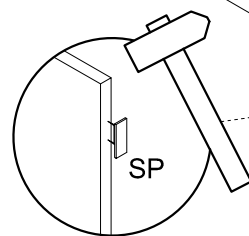
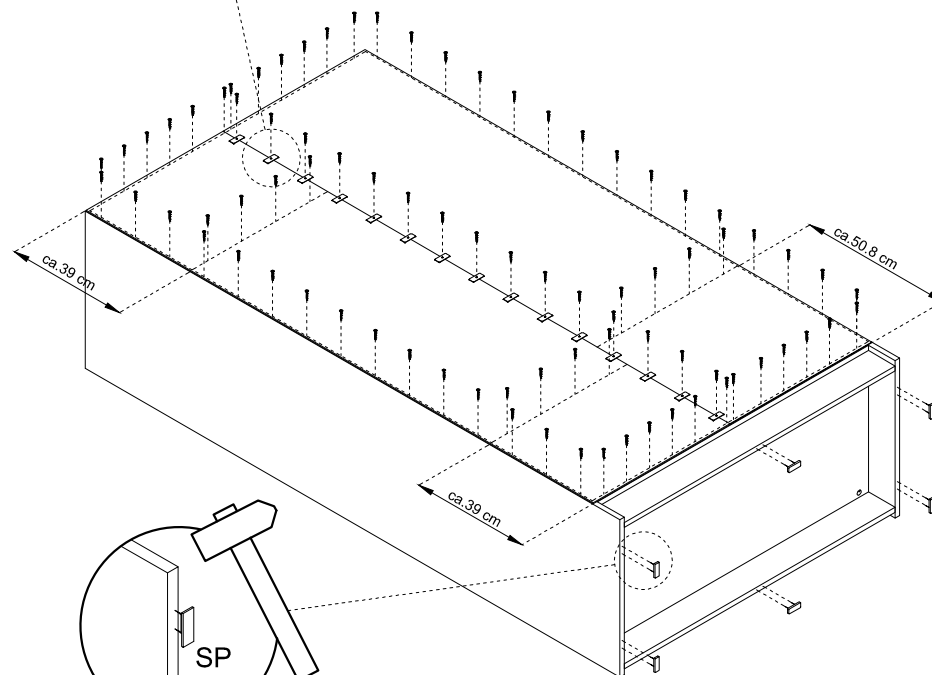
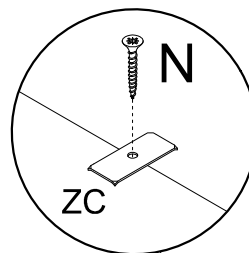
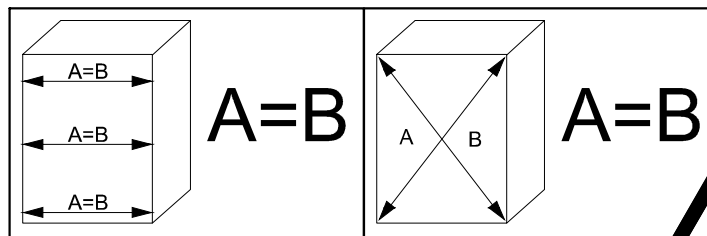
6



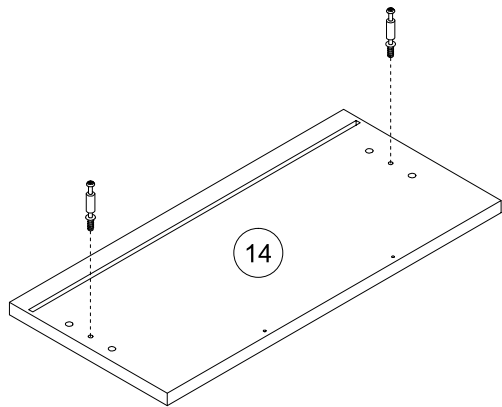
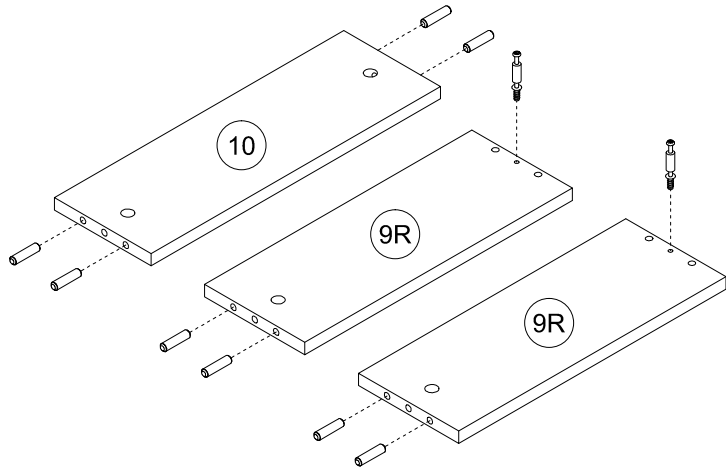
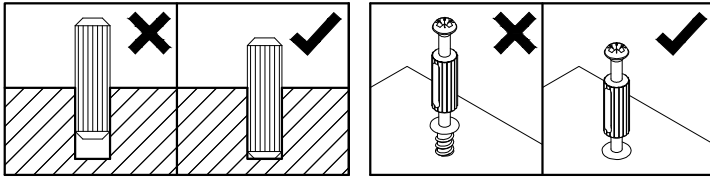
7



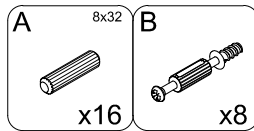
8



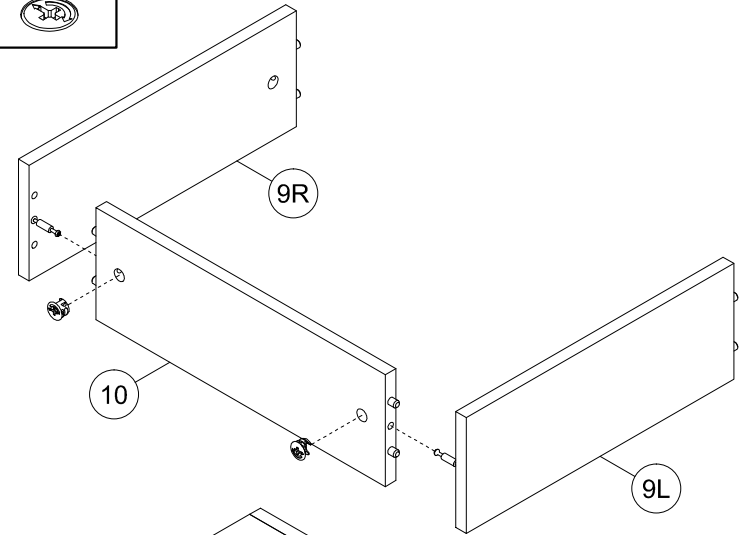
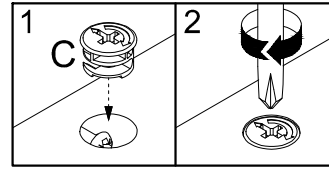
9



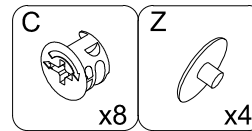
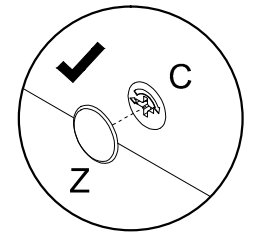
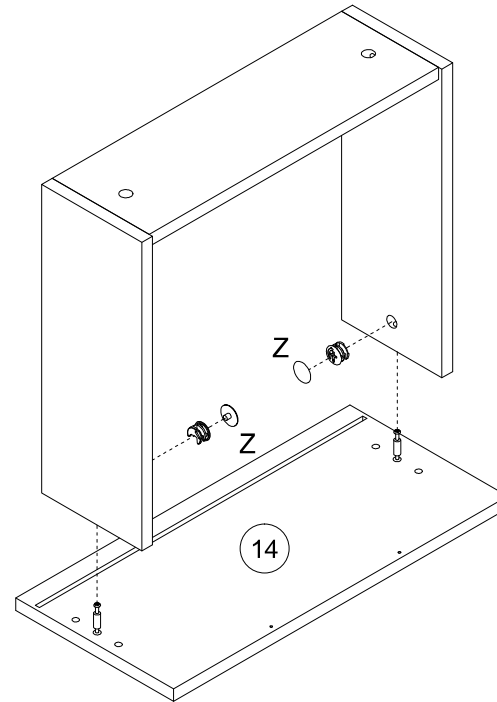
x2



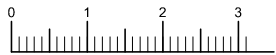
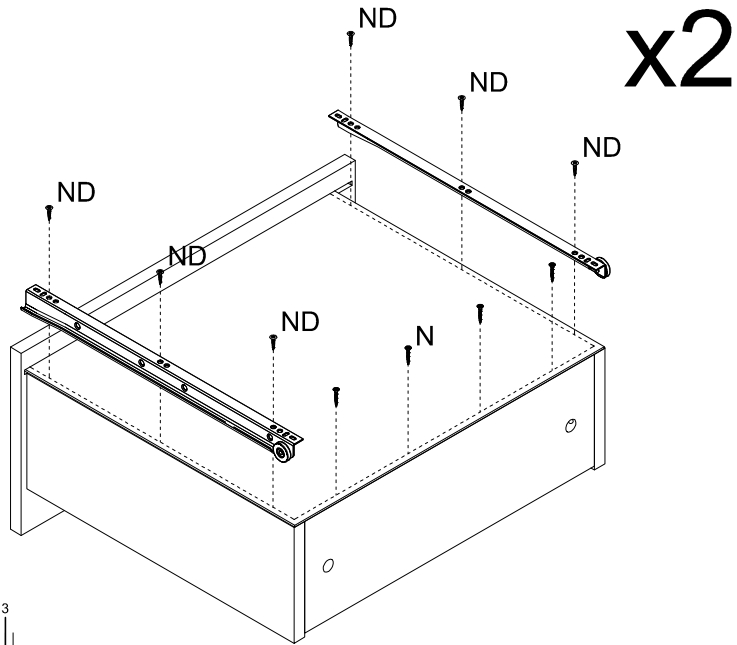
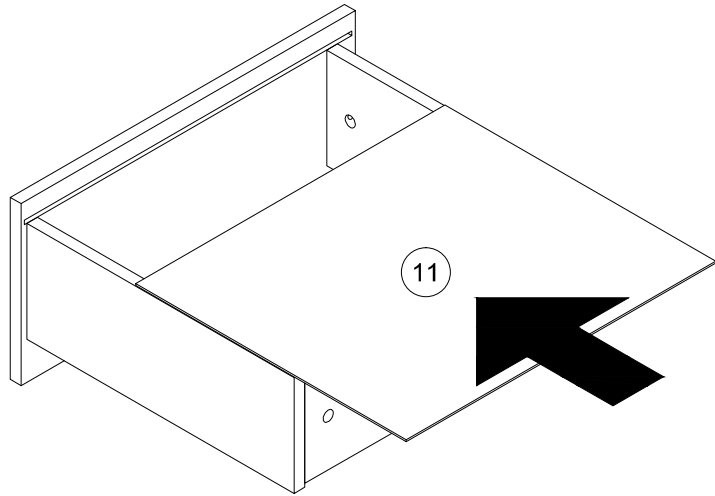
10



x2



11

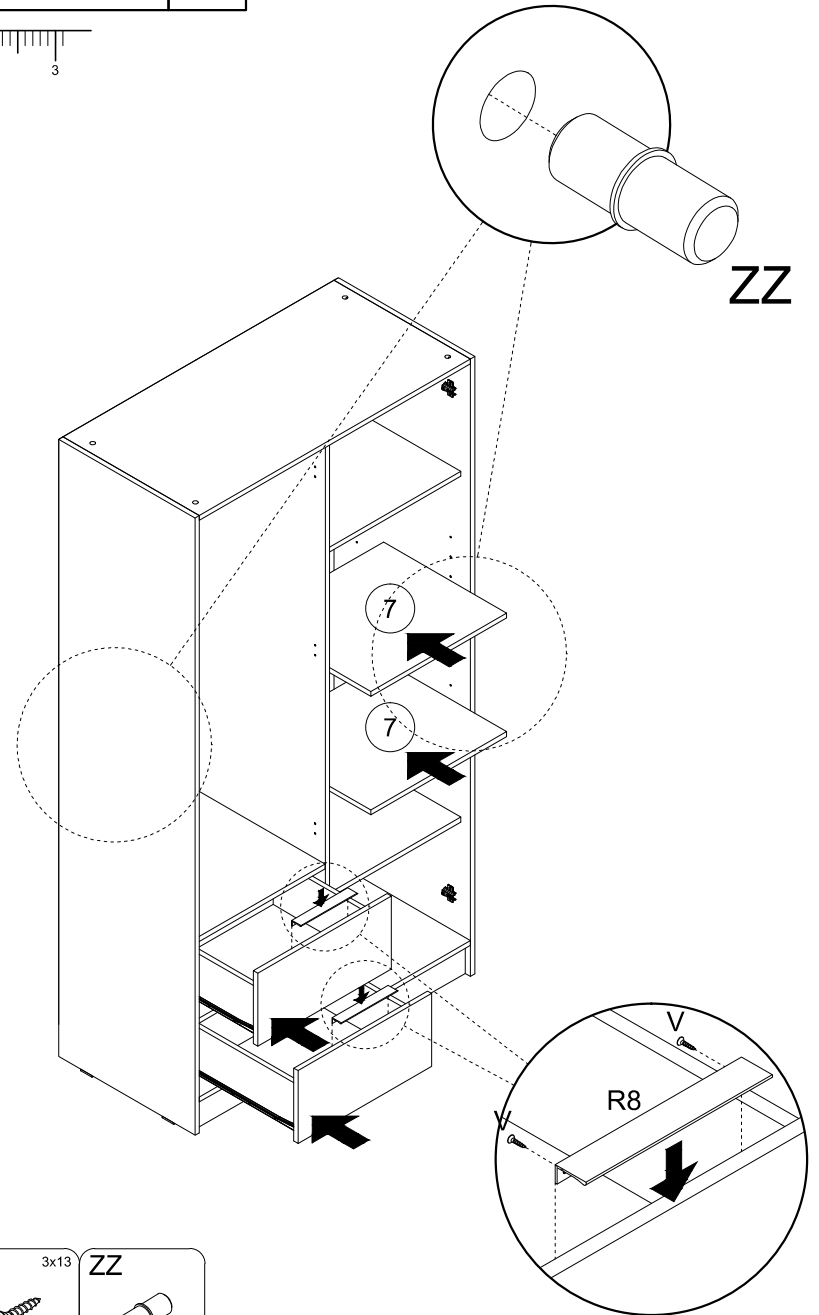


ND			1:1
N			1:1

N 3x20	ND 3,5x16	RPS 400mm
x8	x12	x2

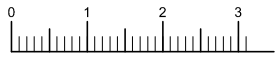
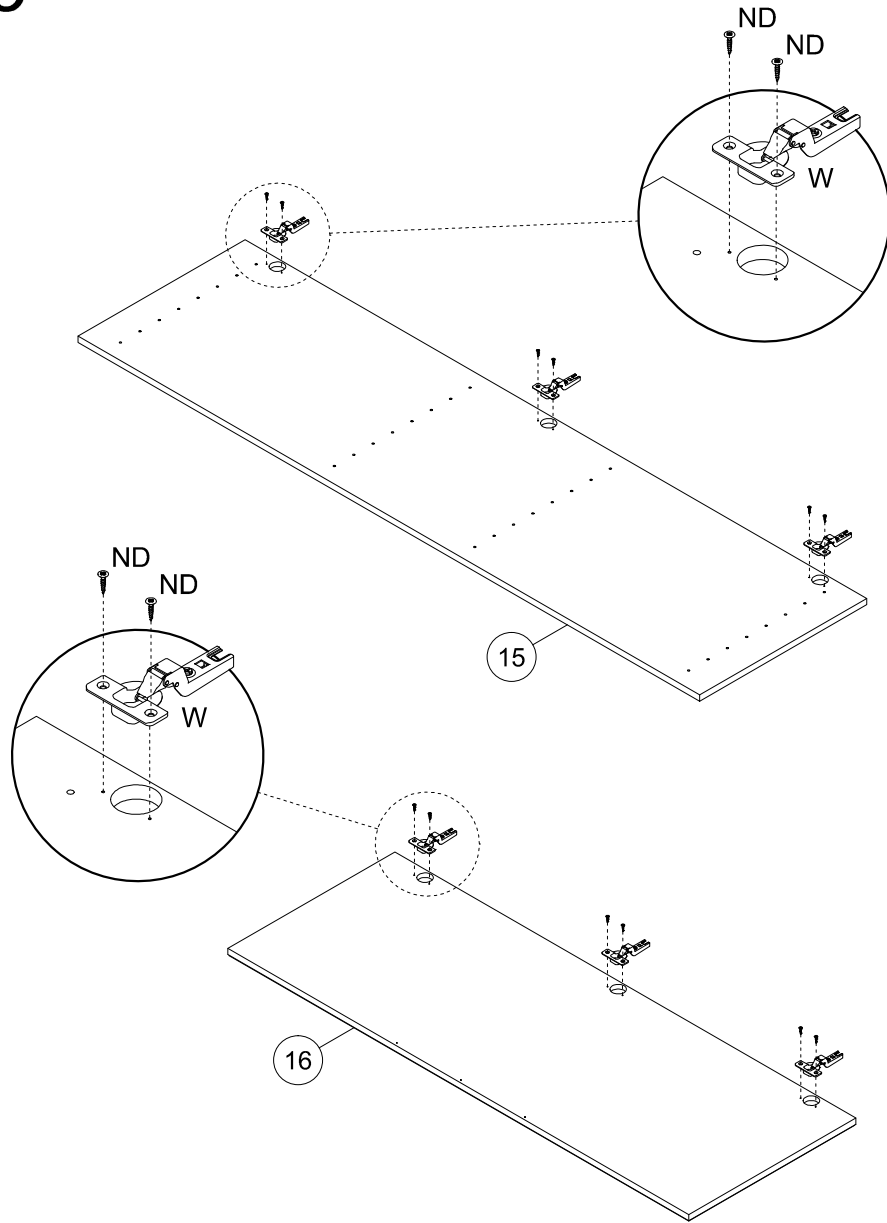
12

V			1:1
---	--	--	-----



R8	V 3x13	ZZ
x2	x4	x8

13

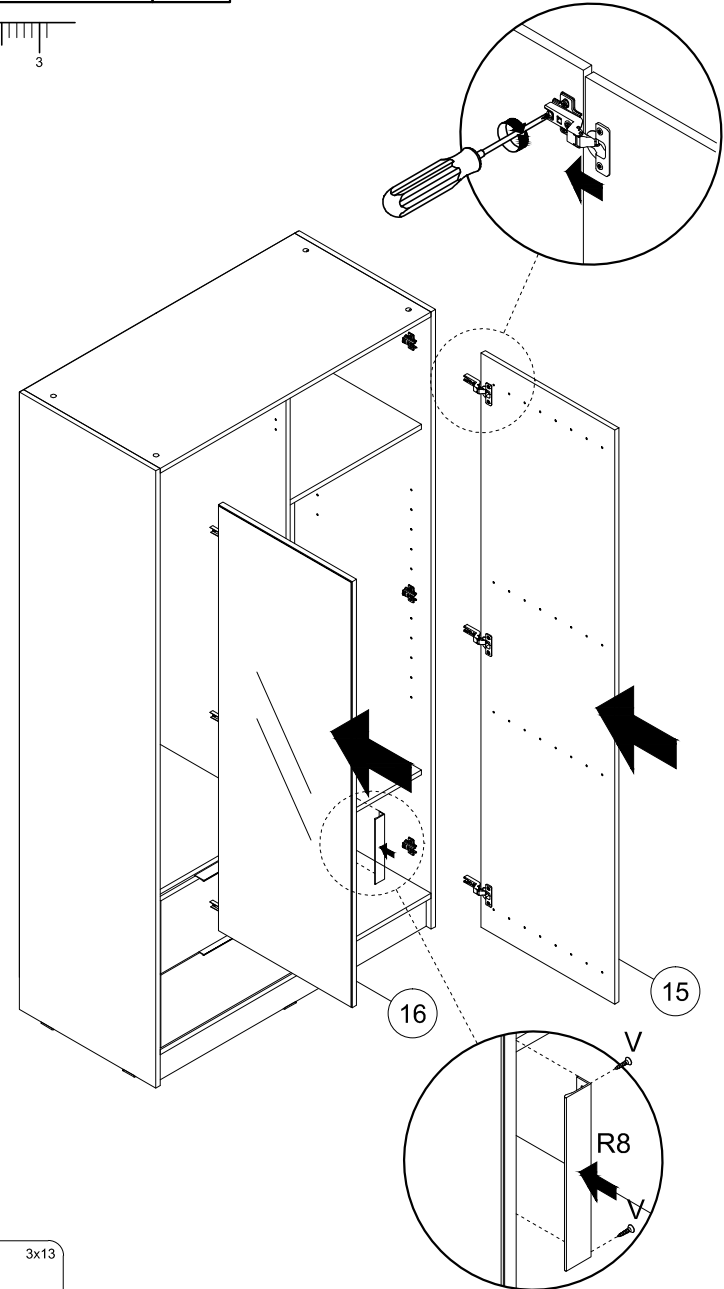
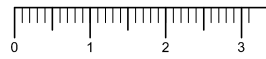


ND			1:1
----	--	--	-----

ND	3,5x16	W+H2
x12		x6

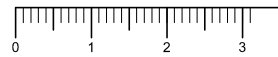
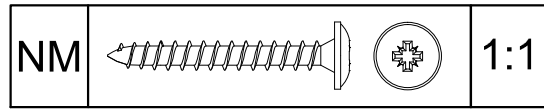
14

V			1:1
---	--	--	-----

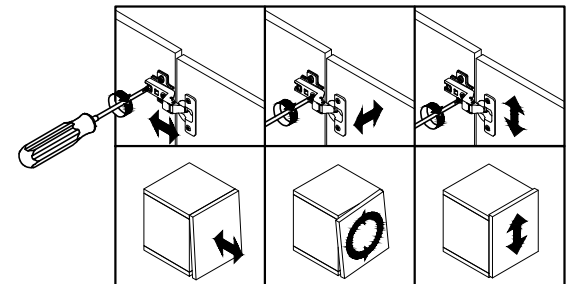
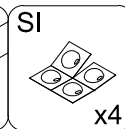
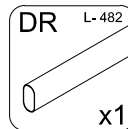
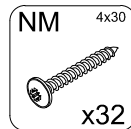
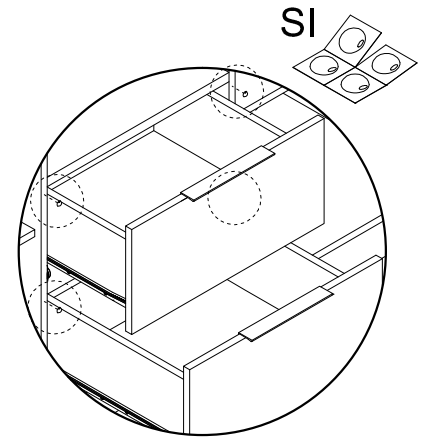
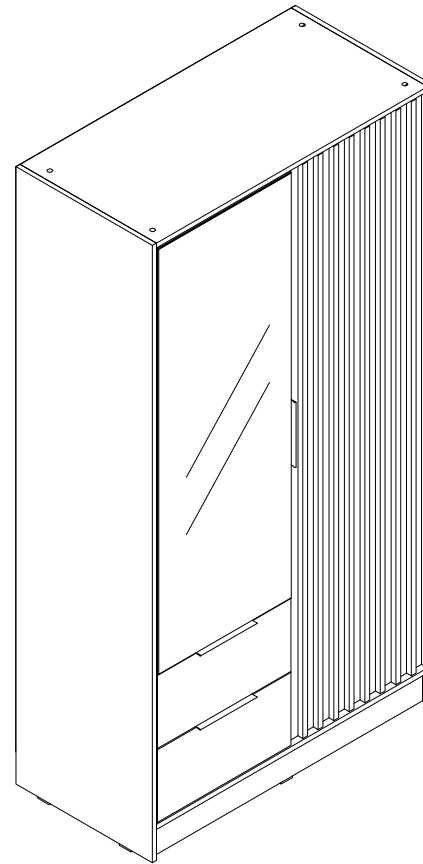
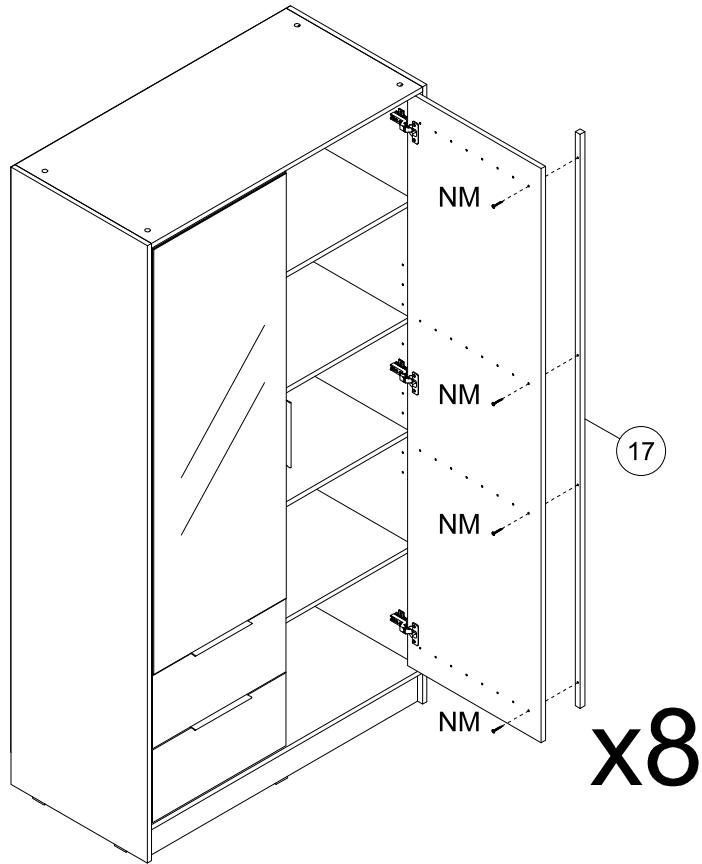


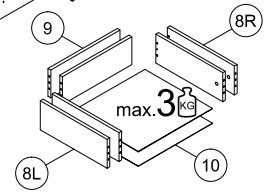
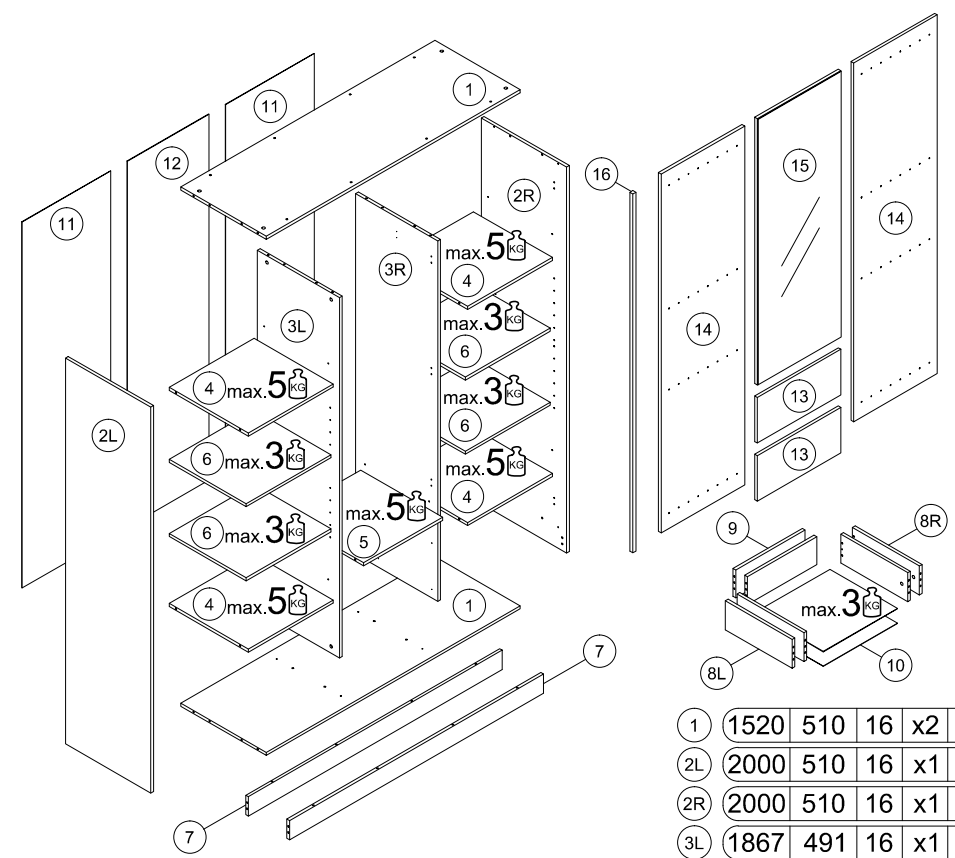
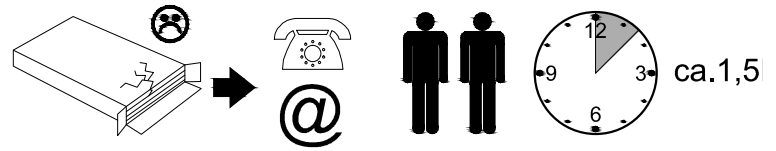
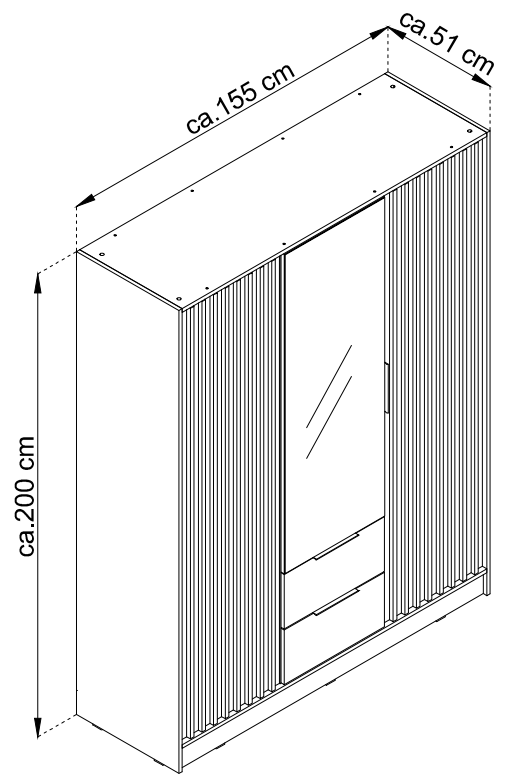
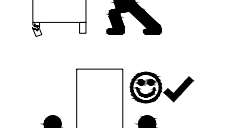
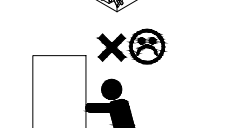
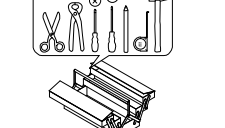
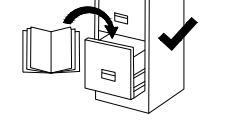
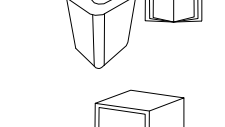
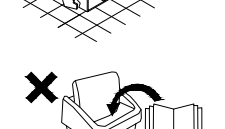
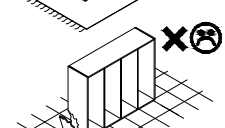
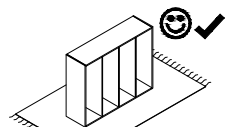
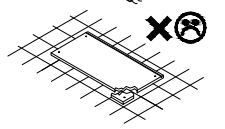
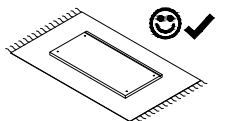
R8	V	3x13
x1	x2	

15



16

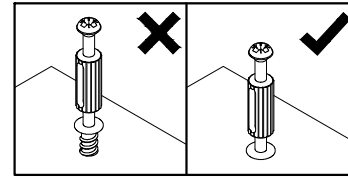
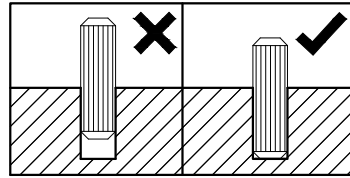




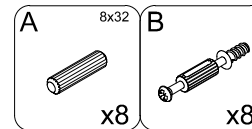
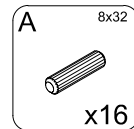
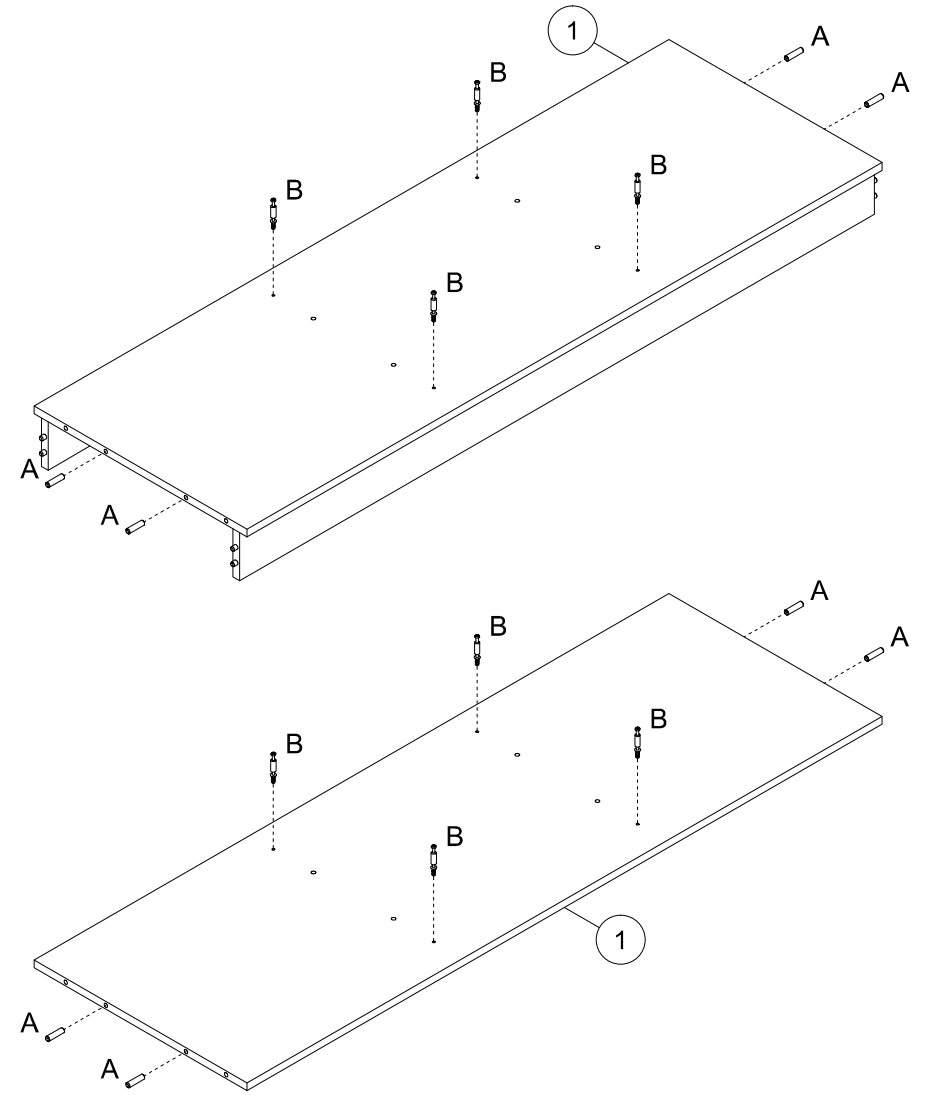
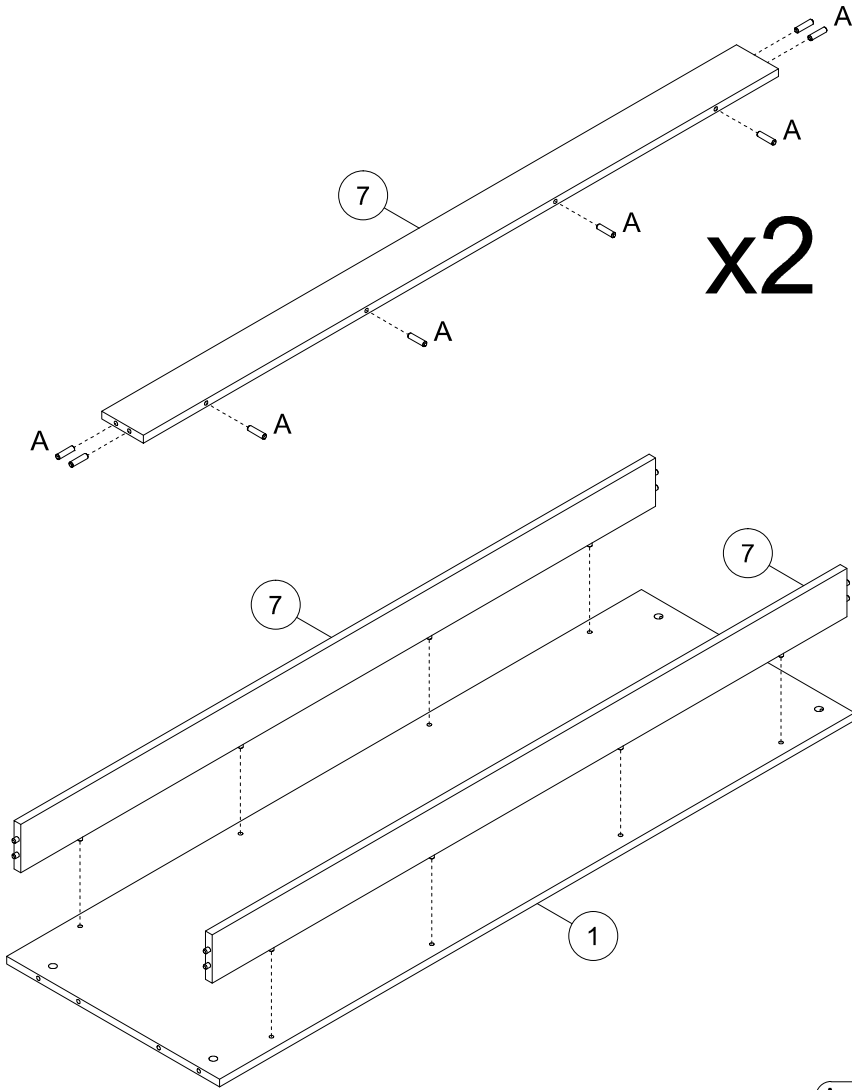
A	8x32	B	4x44	C	4	DR	L-464		
	x48		x44		4		x1		
N	3x20	NM	4x30	ND	3,5x16	P+H0		RPS	400mm
	x120		x64		x47		x3		x2
R8		SI		SP		T		TA	
	x3		x4		x10		x2		x1
W+H2		V	3x13	Z		ZC		ZZ	
	x6		x6		x12		x30		x16

1	1520	510	16	x2	3 / 4
2L	2000	510	16	x1	1 / 4
2R	2000	510	16	x1	1 / 4
3L	1867	491	16	x1	2 / 4
3R	1867	491	16	x1	2 / 4
4	508	474	16	x4	2 / 4
5	490	472	16	x1	3 / 4
6	508	460	16	x4	3 / 4
7	1520	100	16	x2	3 / 4
8L	400	150	16	x2	2 / 4
8R	400	150	16	x2	2 / 4
9	415	145	16	x2	2 / 4
10	445	405	2.5	x2	1 / 4
11	1896	530	2.5	x2	1 / 4
12	1896	488	2.5	x1	1 / 4
13	236	500	16	x2	4 / 4
14	1860	500	16	x2	4 / 4
15	1380	500	16	x1	4 / 4
16	1860	18	18	x16	4 / 4

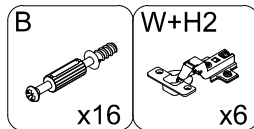
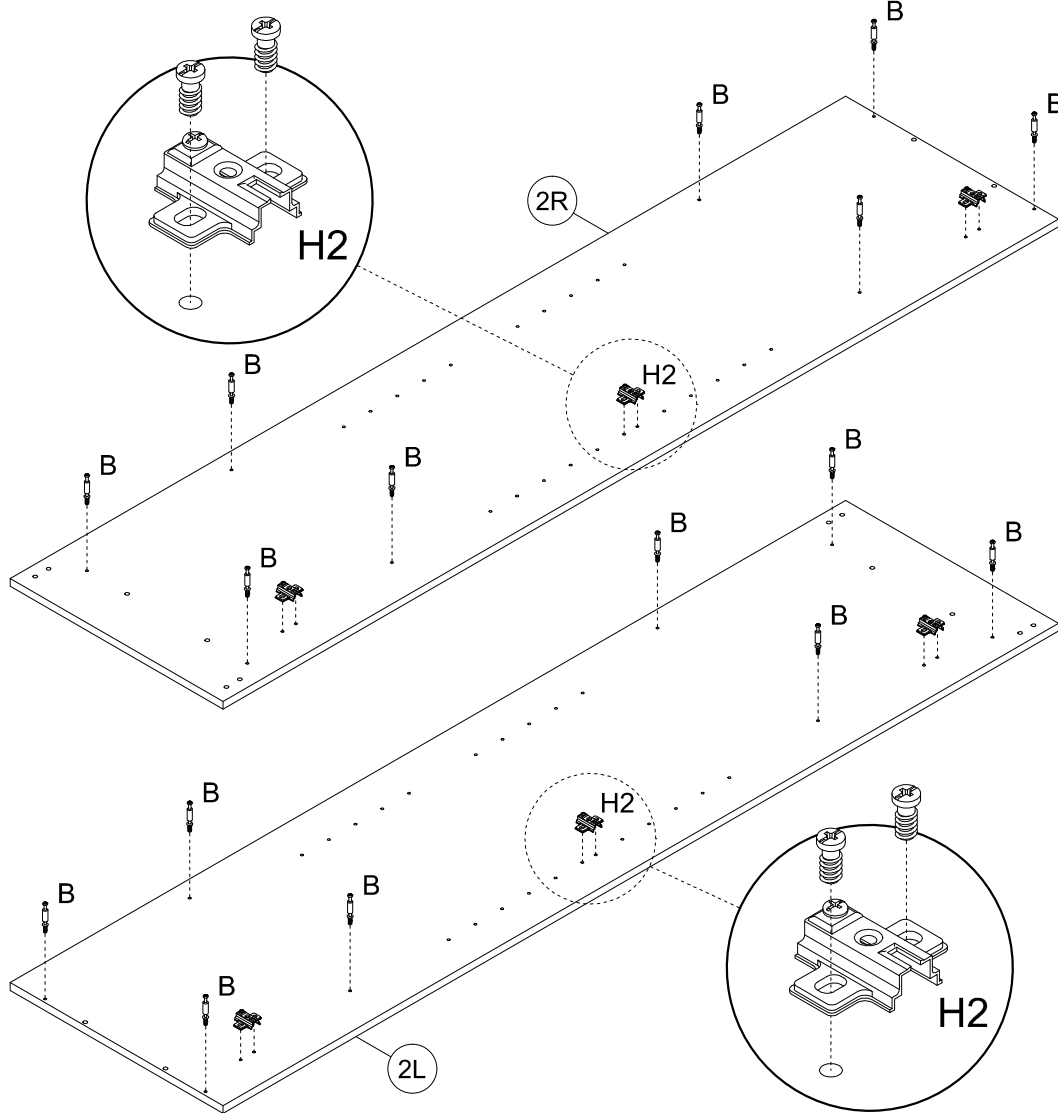
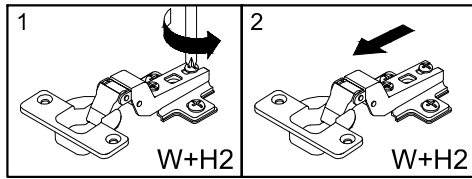
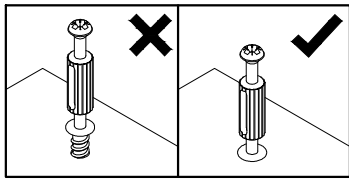
1



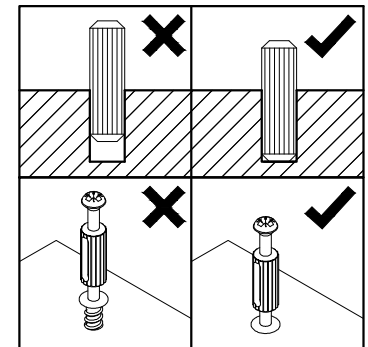
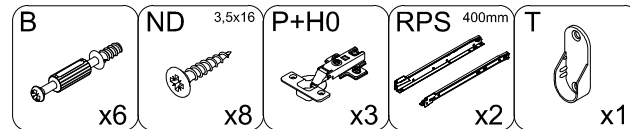
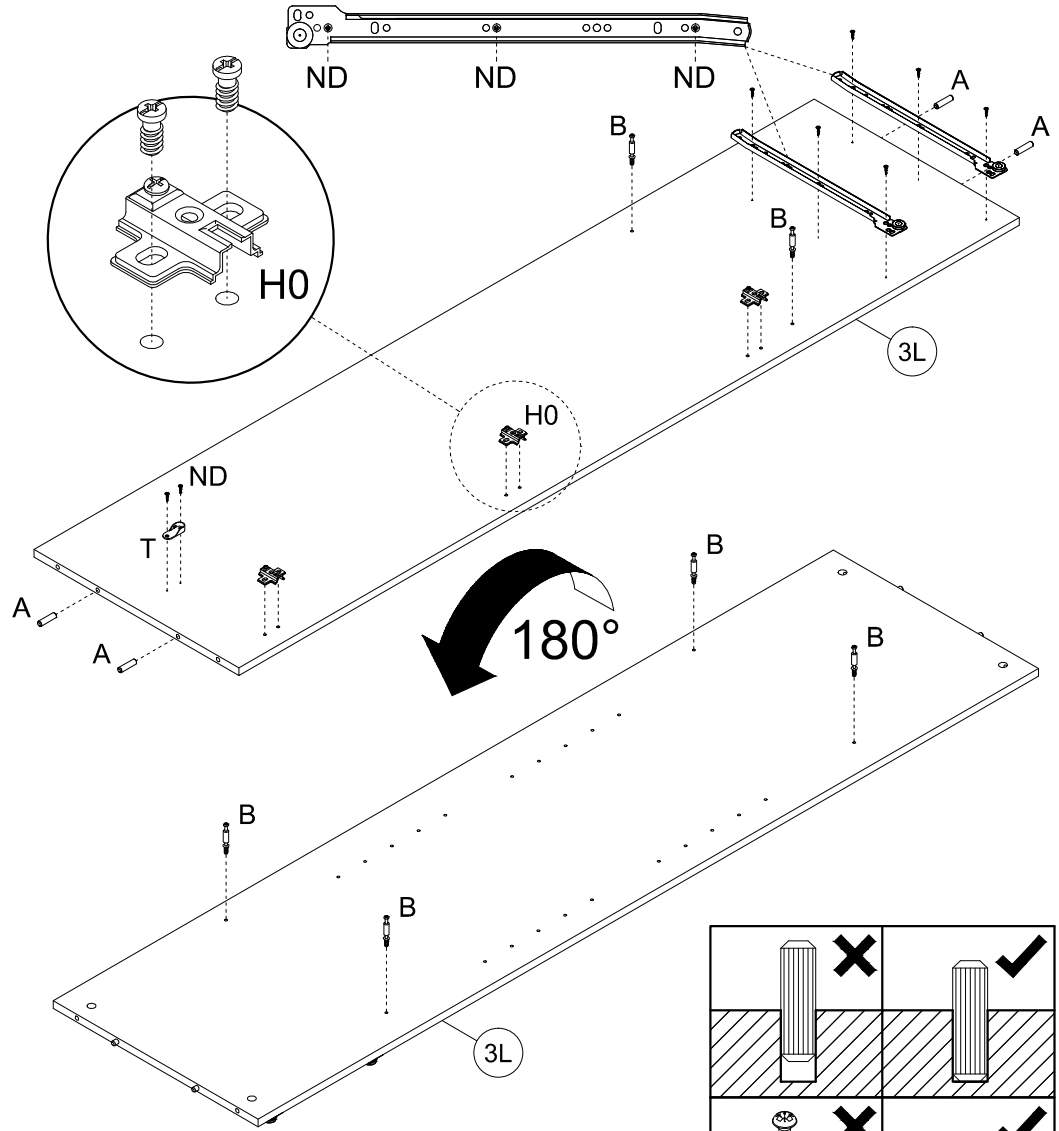
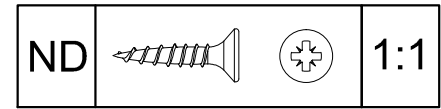
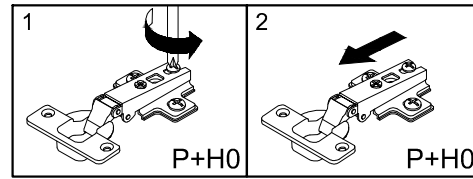
2



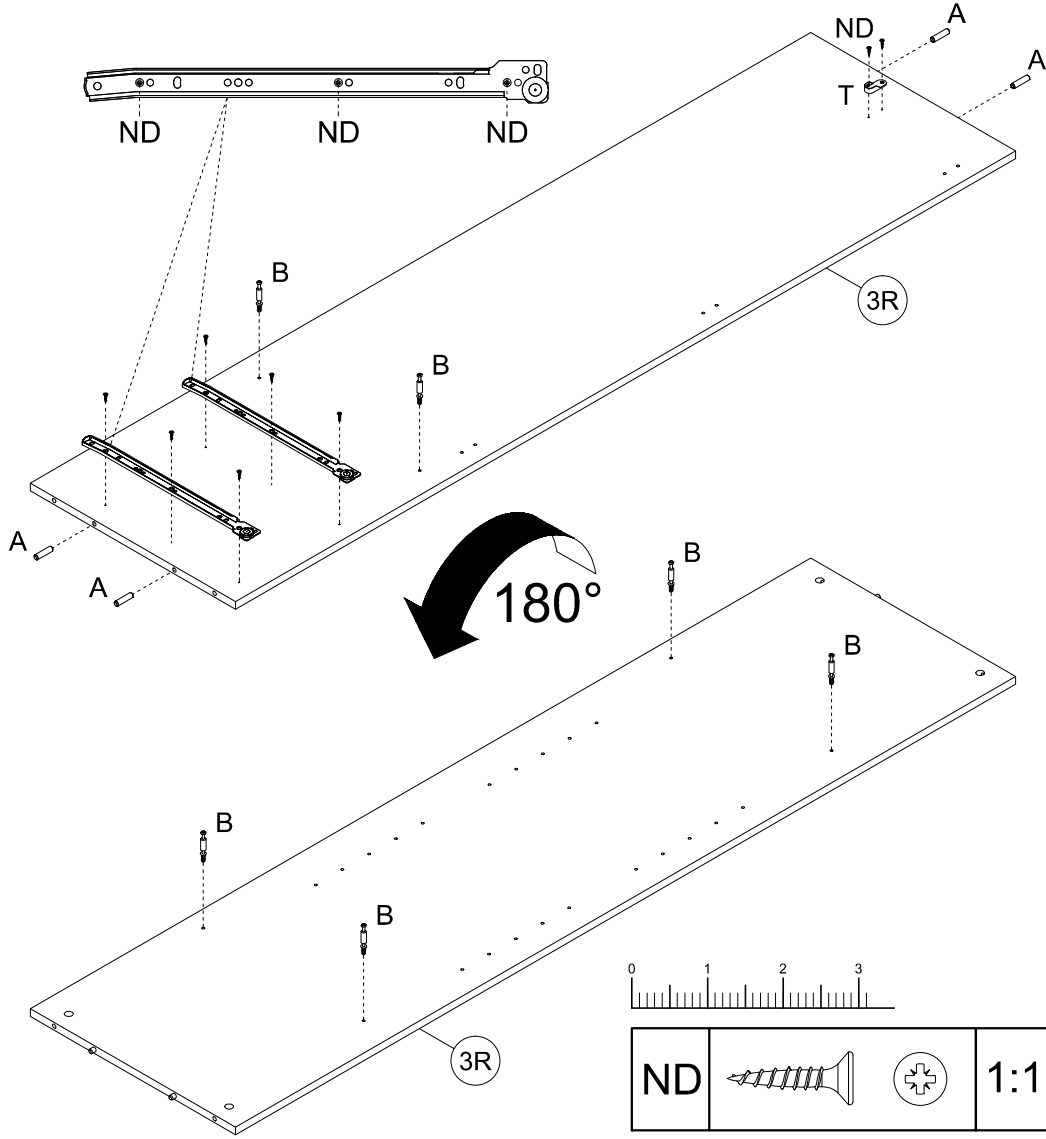
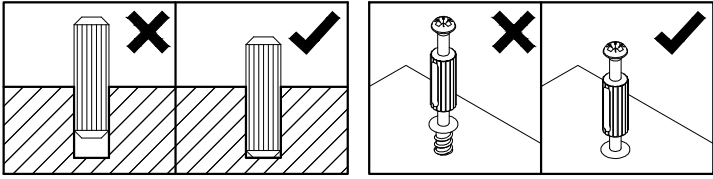
3



4

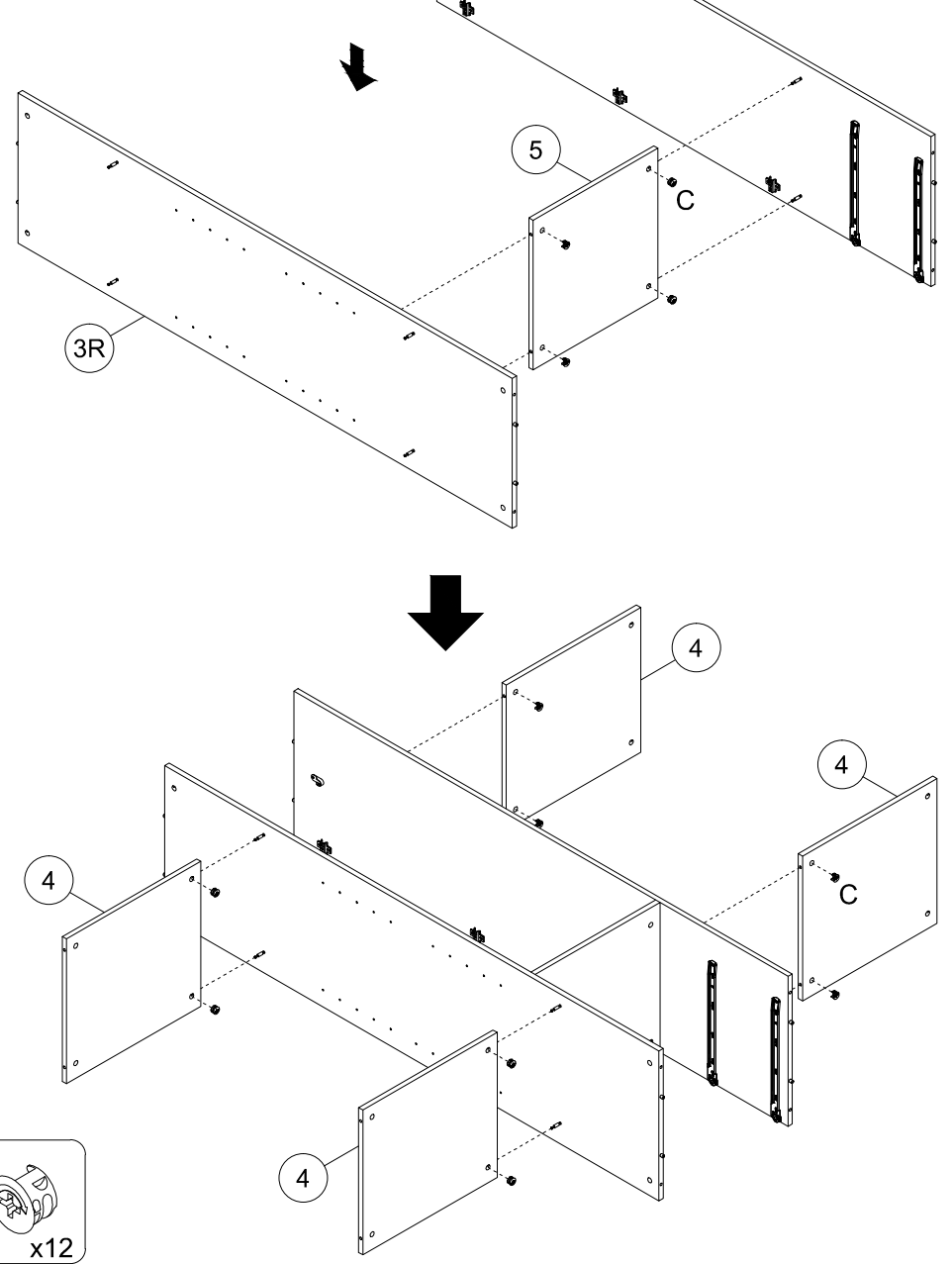
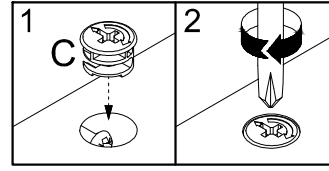


5

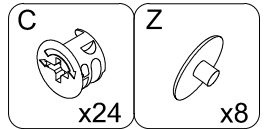
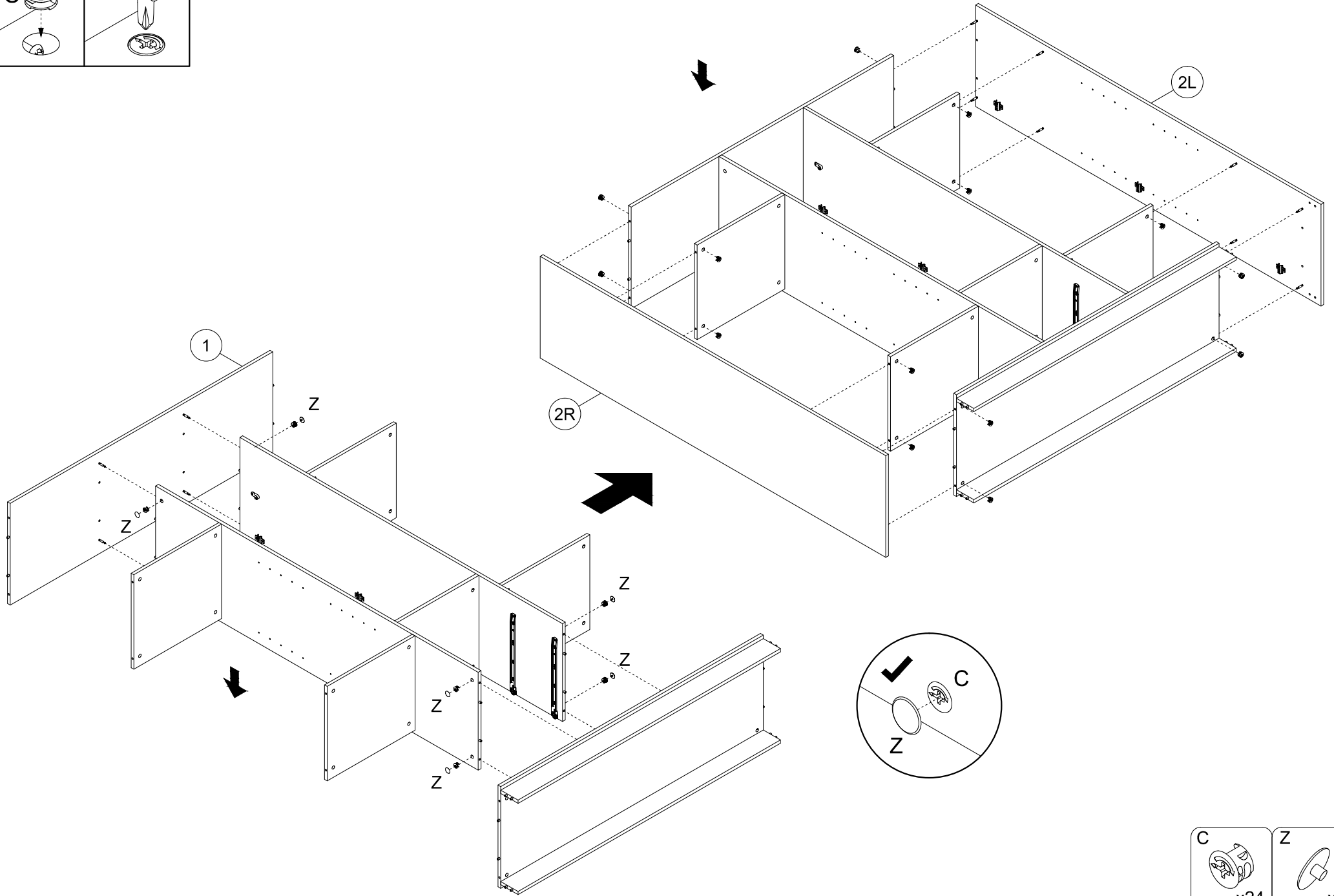
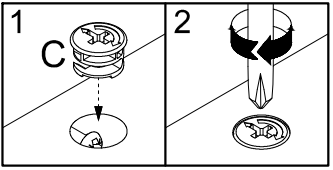


- | | | | |
|----------|-----------|------------|----------|
| B | ND | RPS | T |
| | | | |
| x6 | x8 | x2 | x1 |

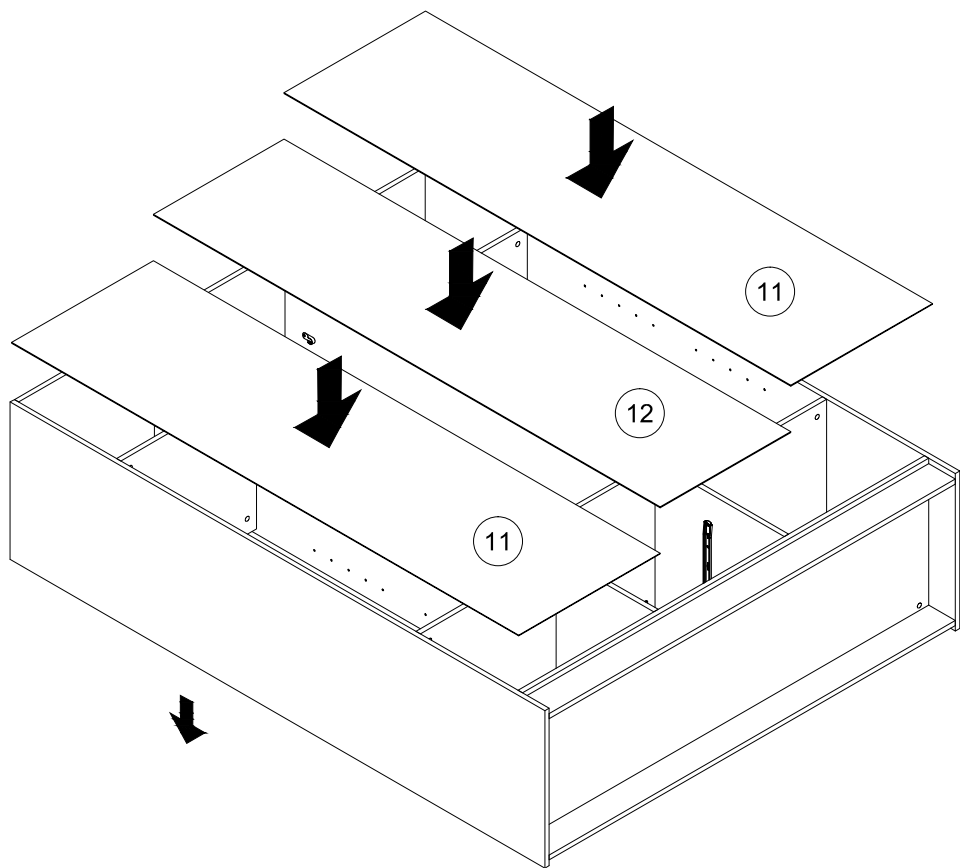
6



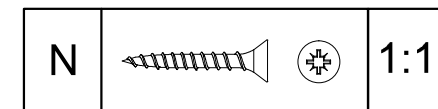
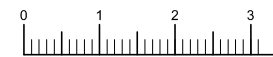
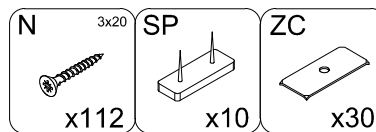
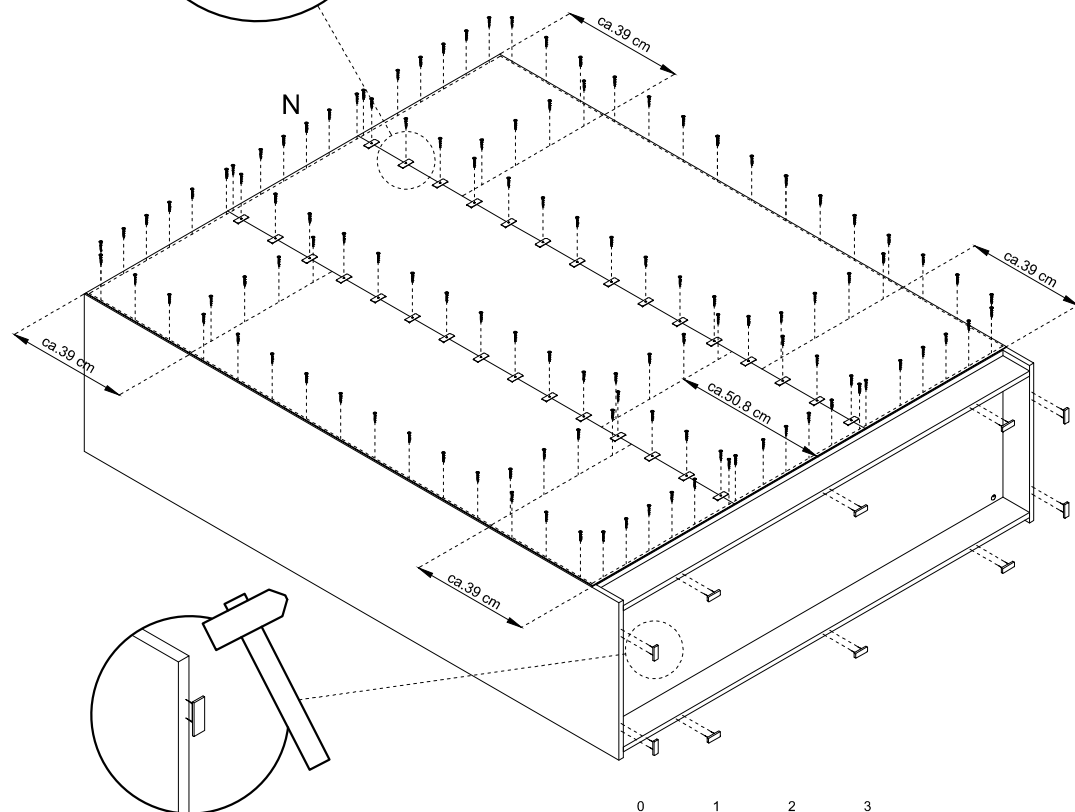
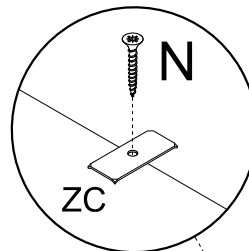
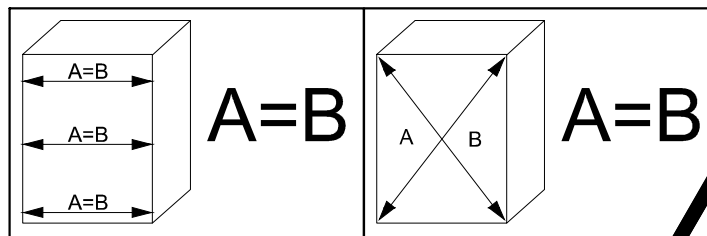
- | |
|----------|
| C |
| |
| x12 |



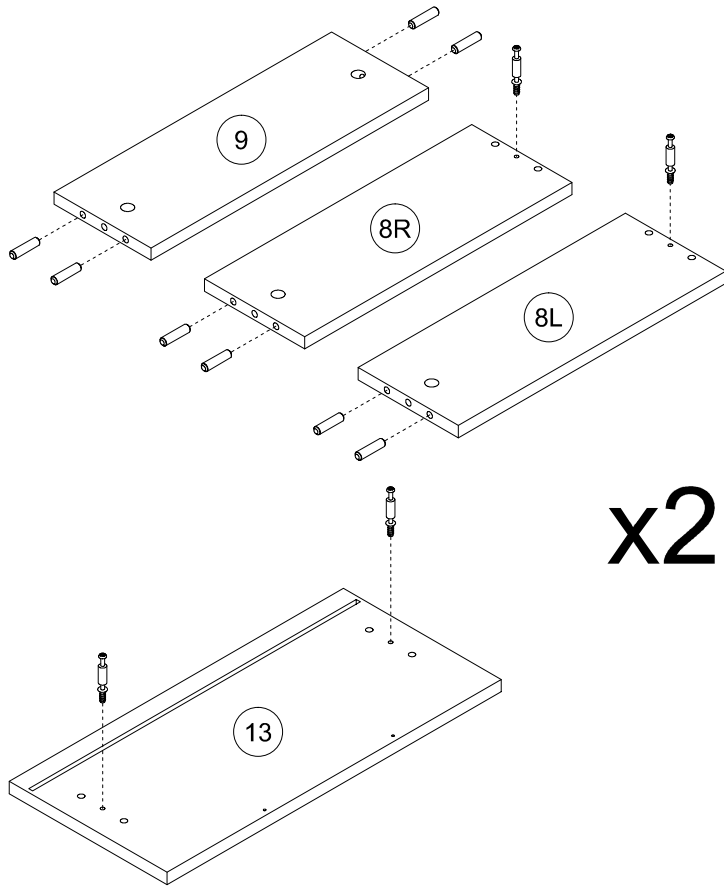
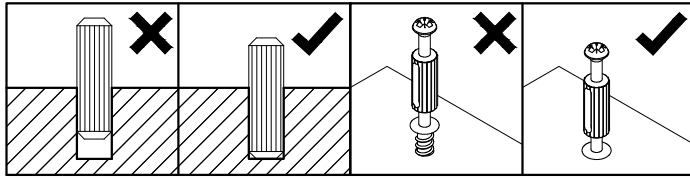
8



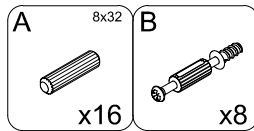
9



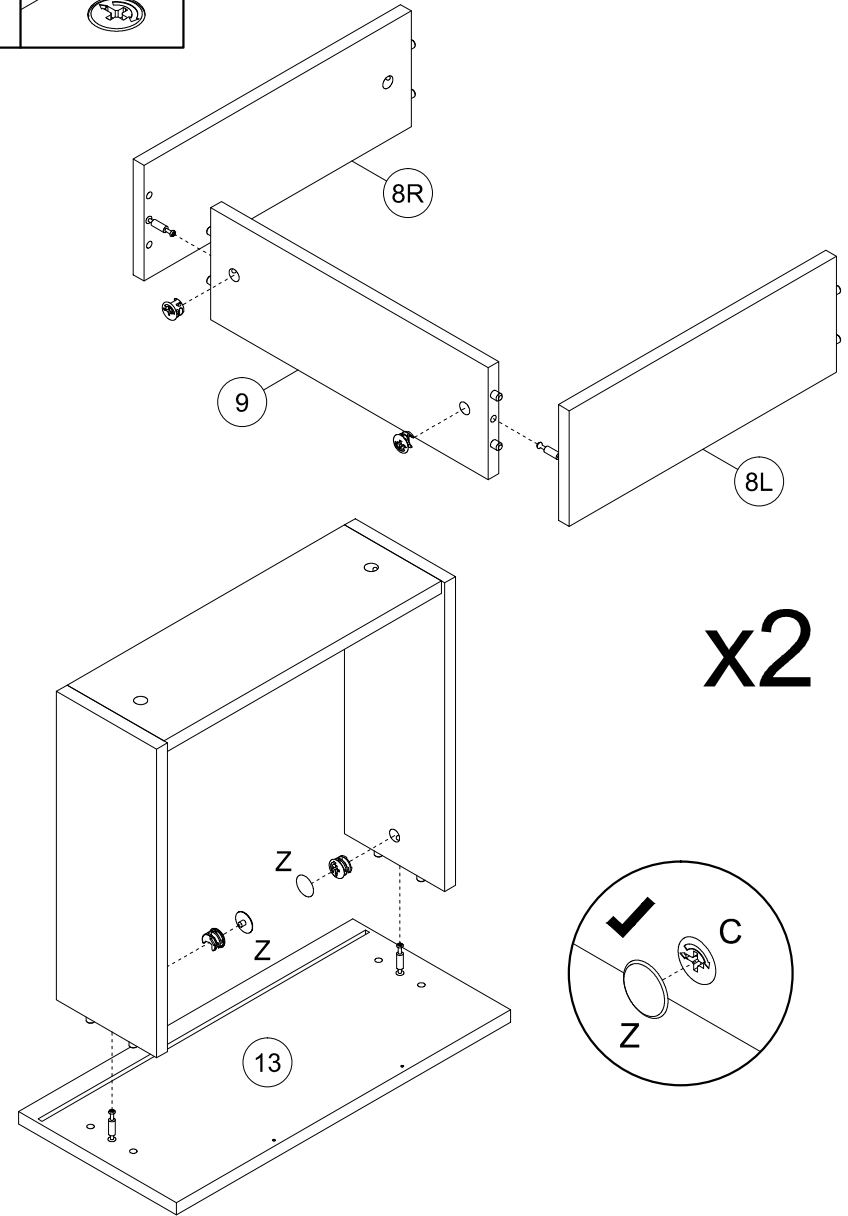
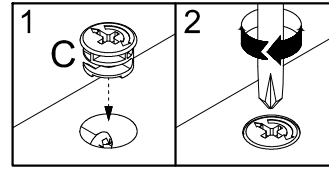
10



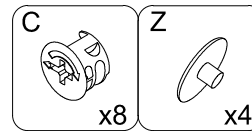
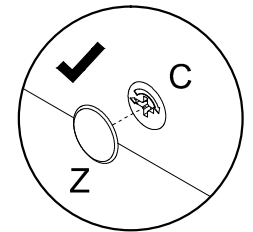
x2



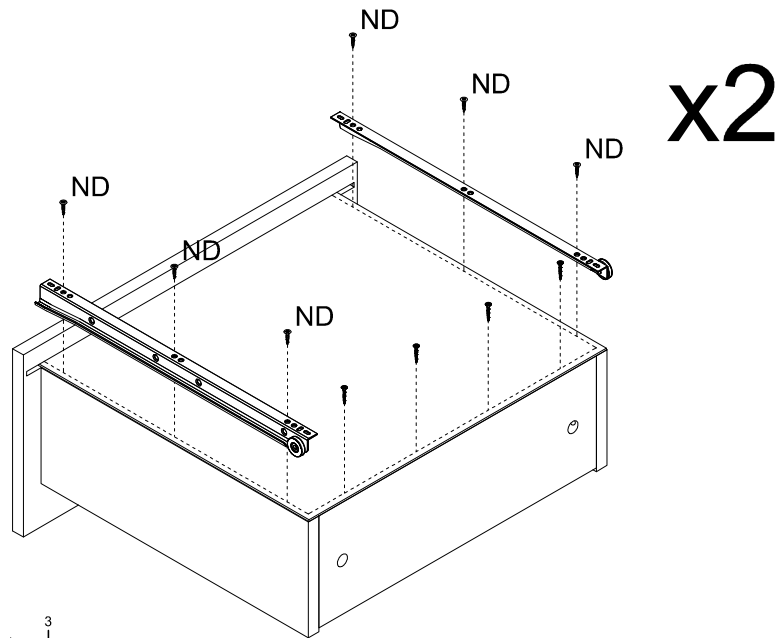
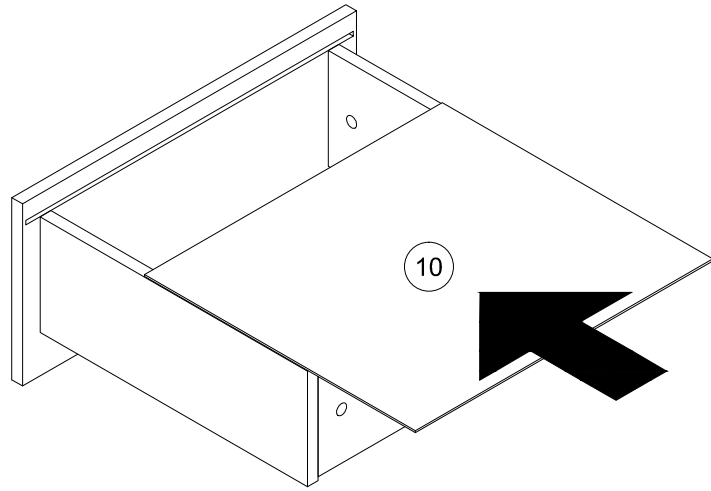
11



x2



12

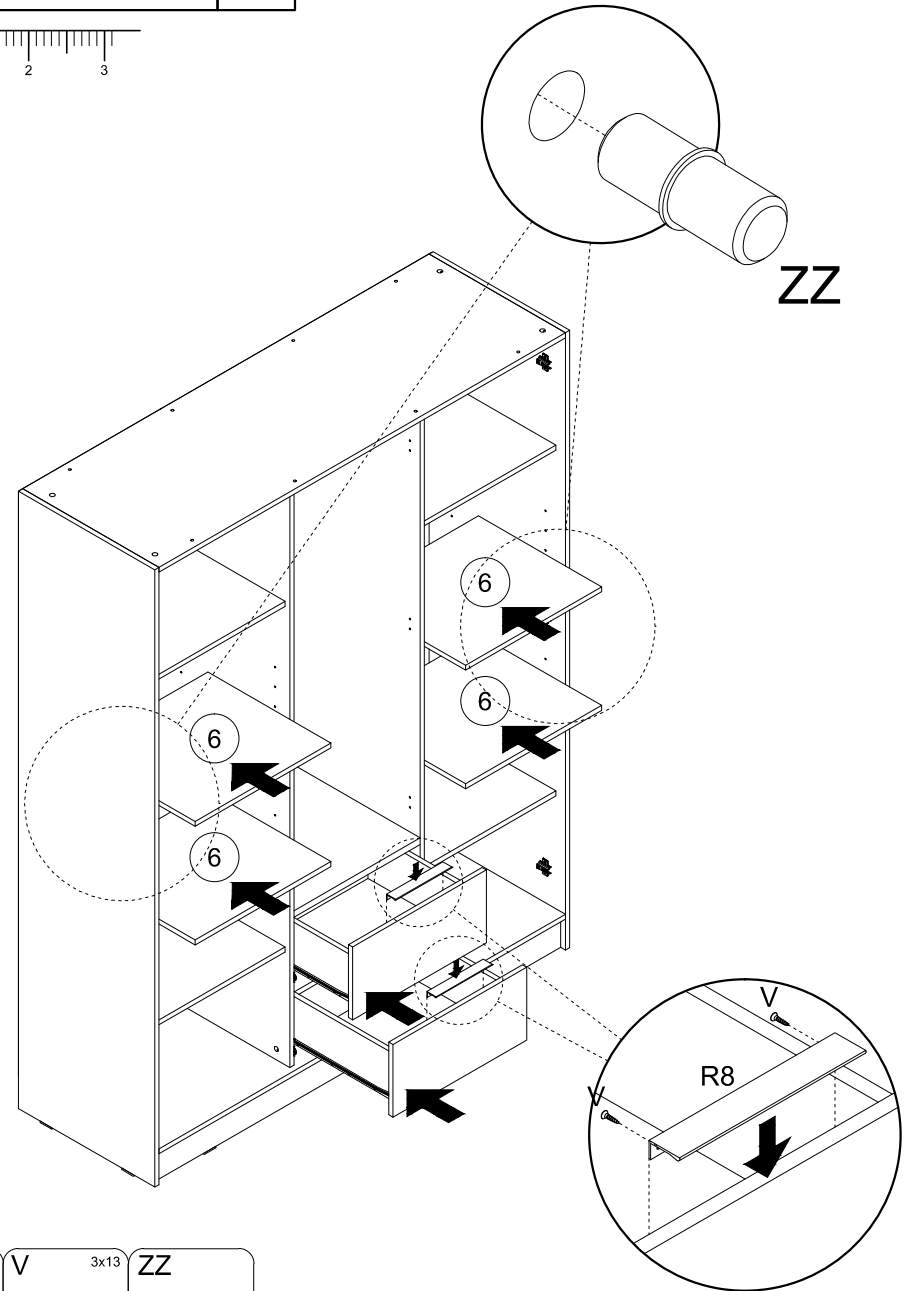
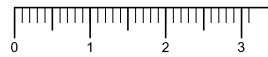


ND			1:1
N			1:1

N 3x20	ND 3,5x16	RPS 400mm
x8	x12	x4

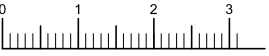
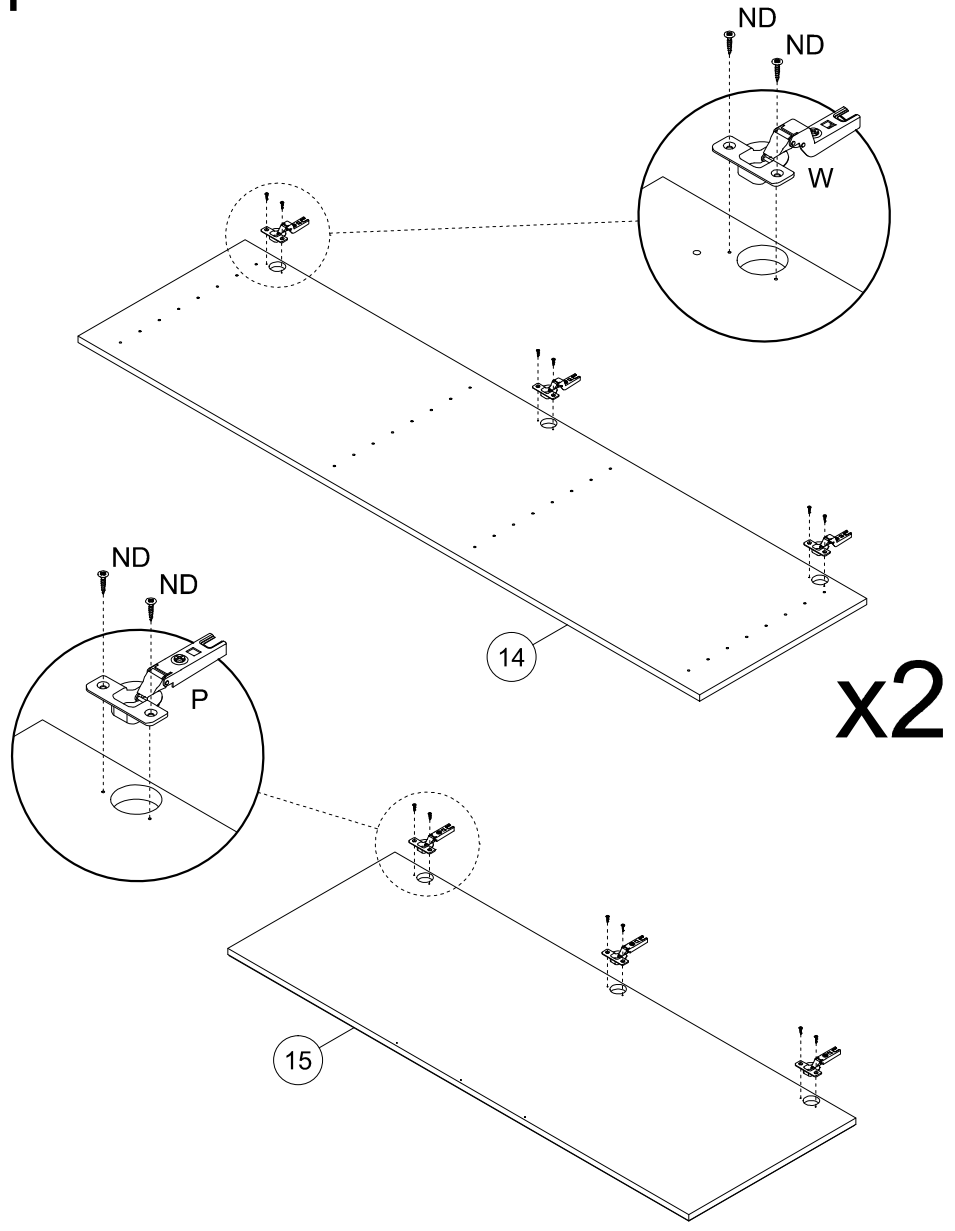
13

V			1:1
---	--	--	-----



R8	V 3x13	ZZ
x2	x4	x16

14

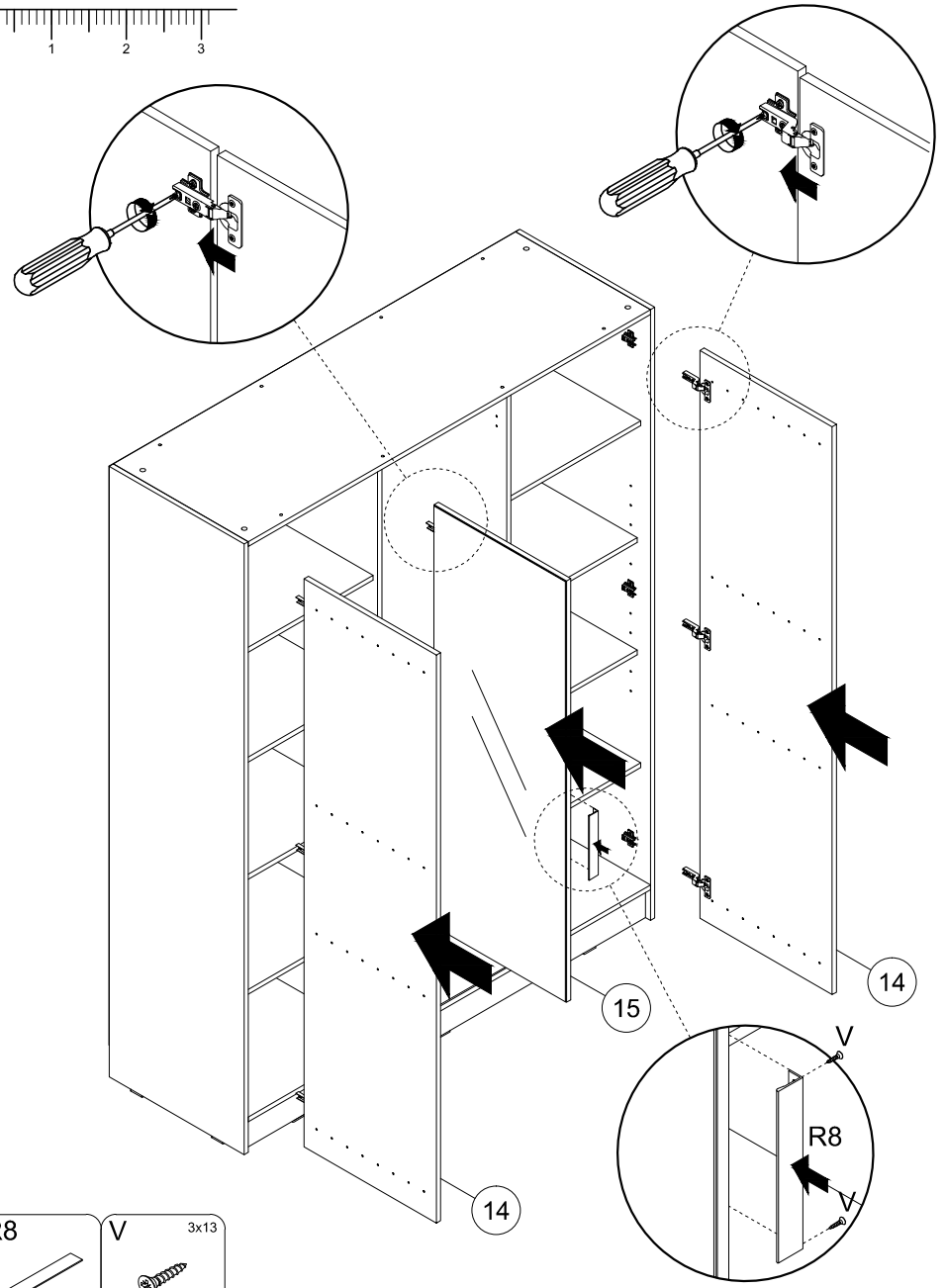
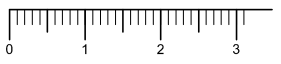


ND			1:1
----	--	--	-----

ND 3,5x16	P+H0	W+H2
x18	x3	x6

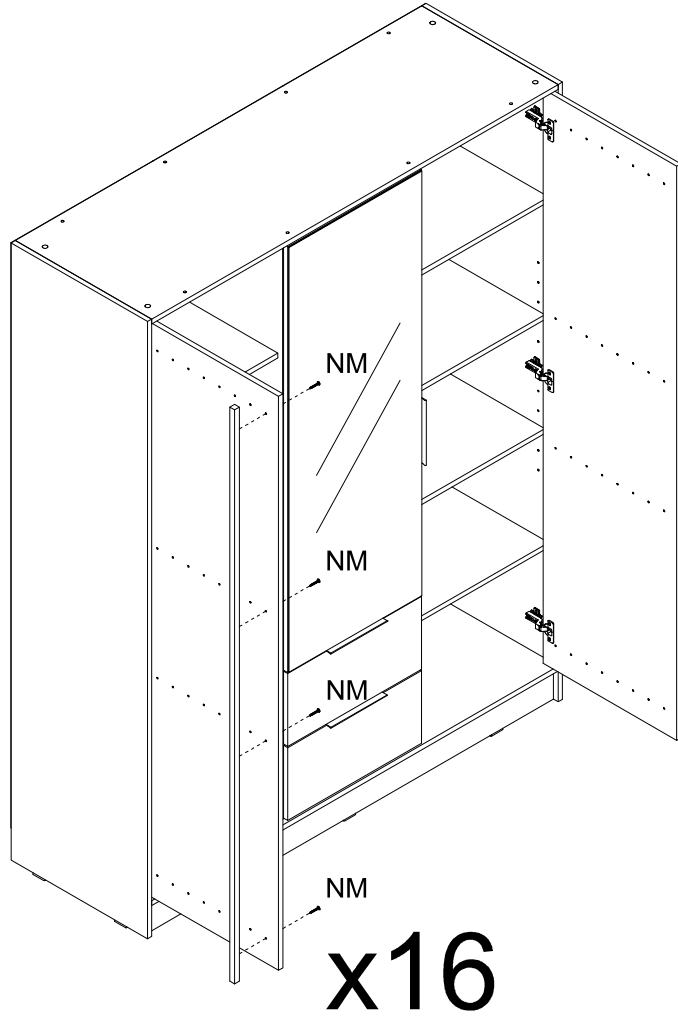
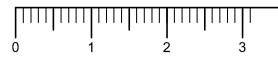
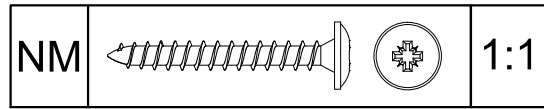
15

V			1:1
---	--	--	-----

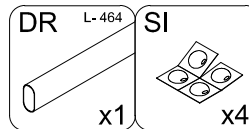
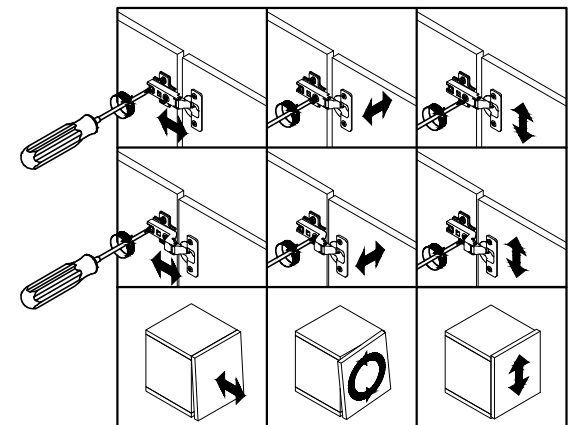
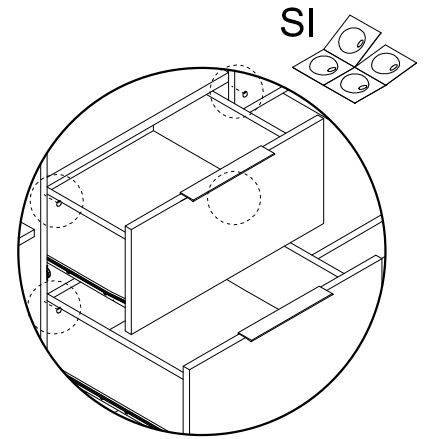
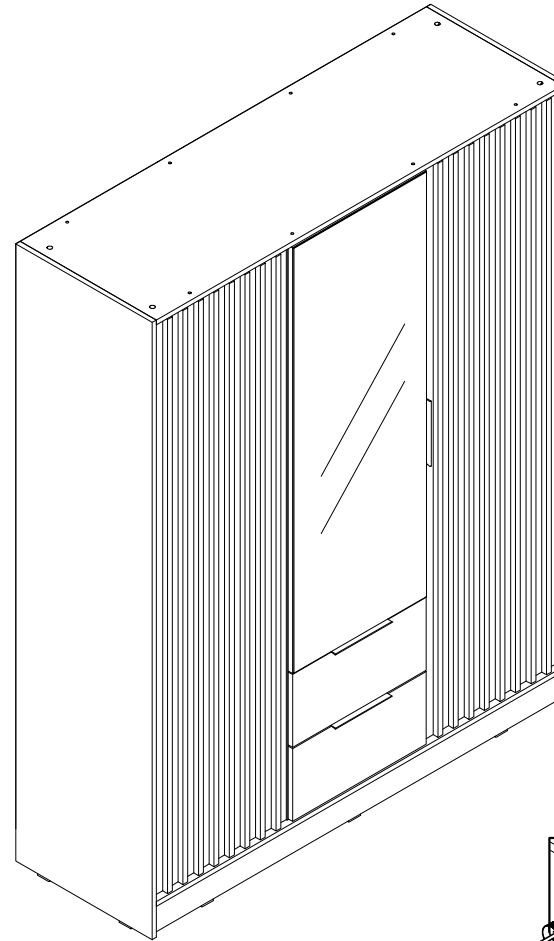


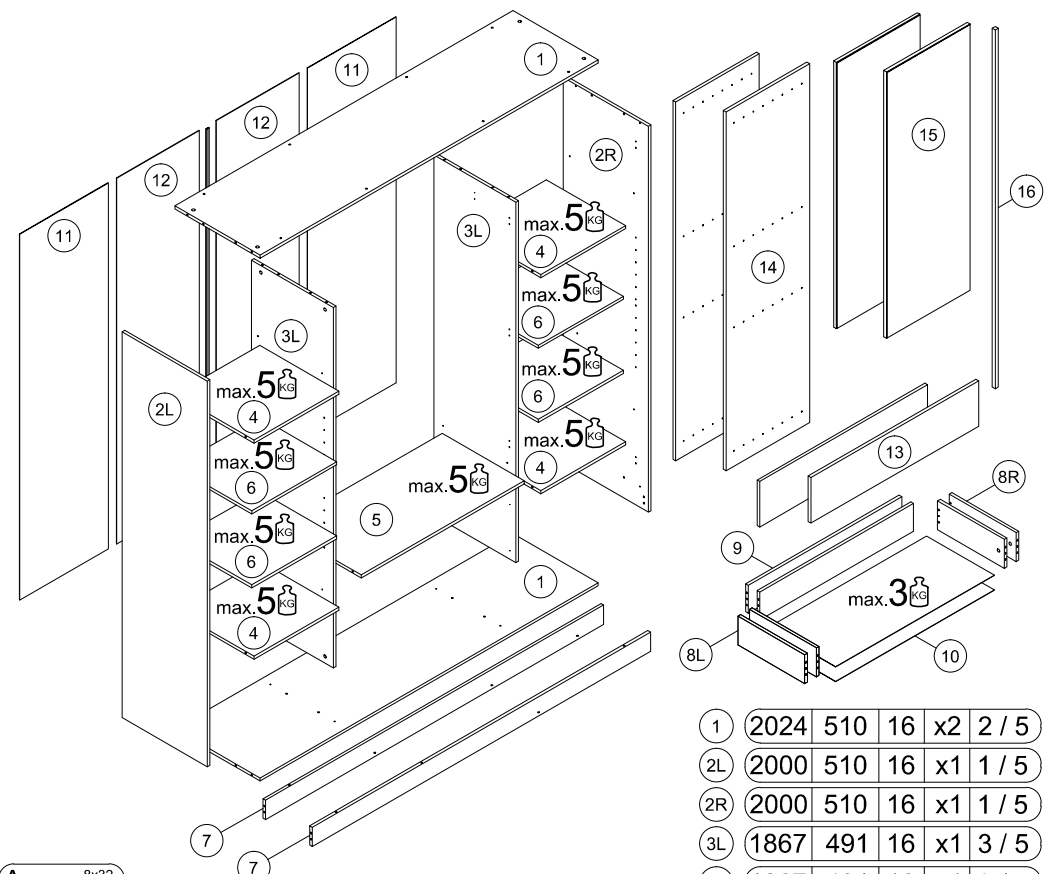
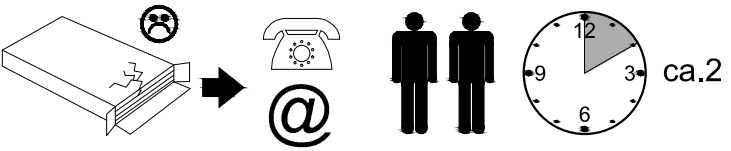
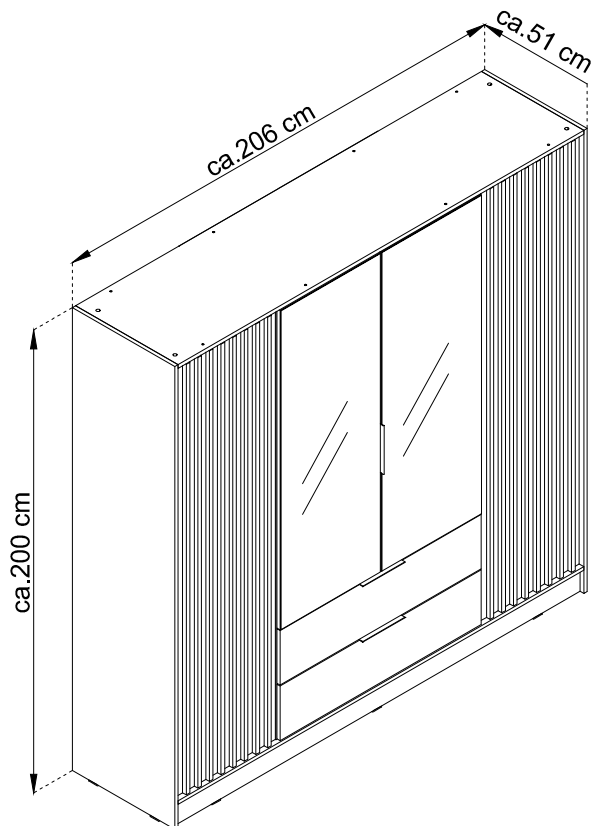
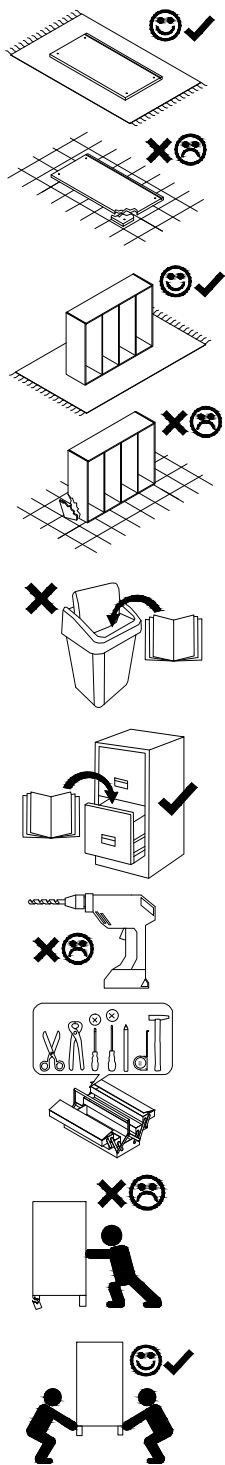
R8	V 3x13
x1	x2

16



17

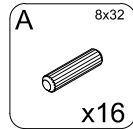
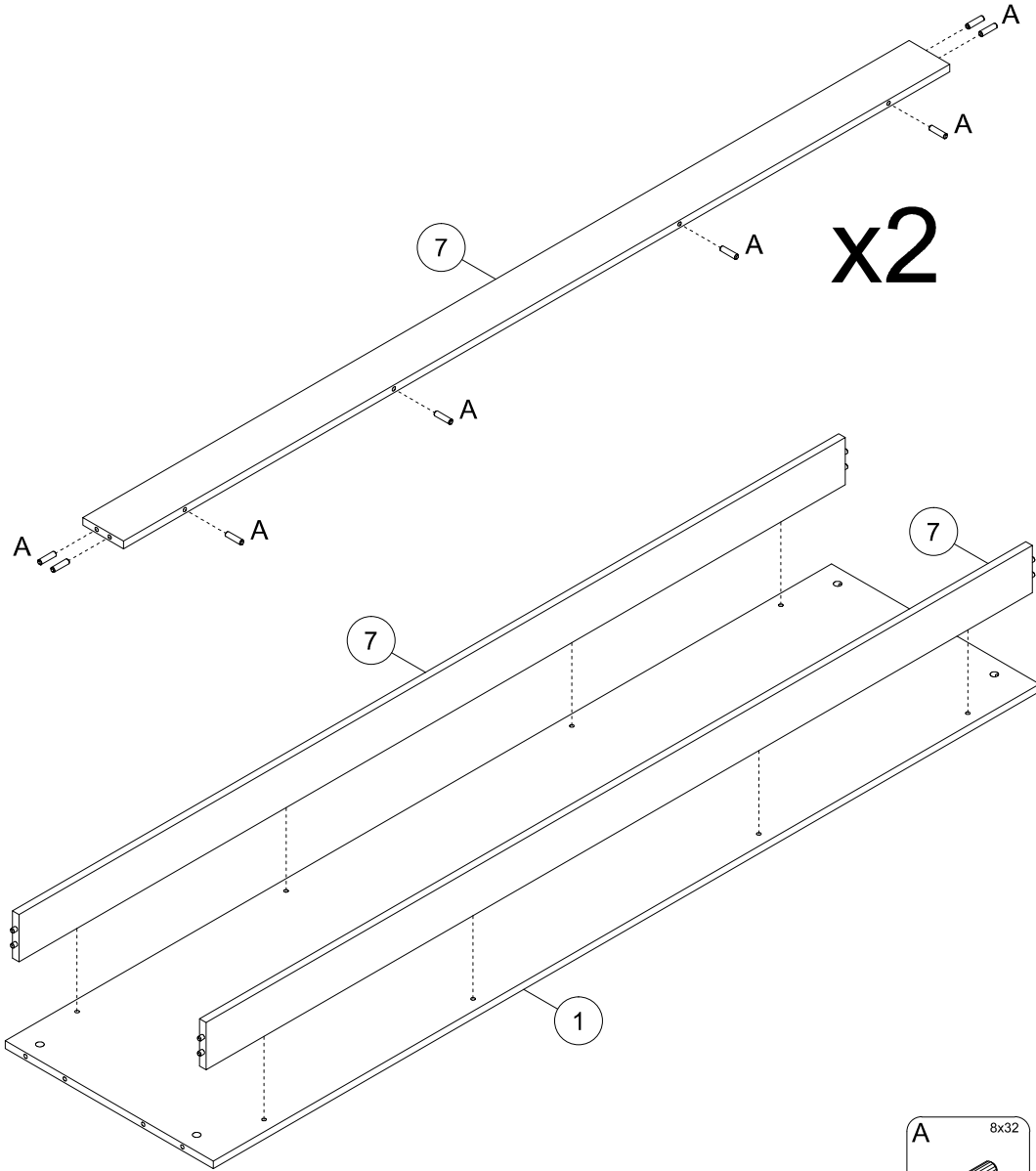
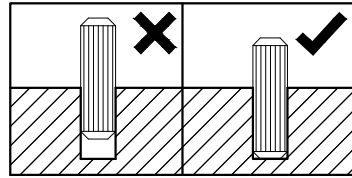




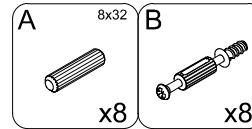
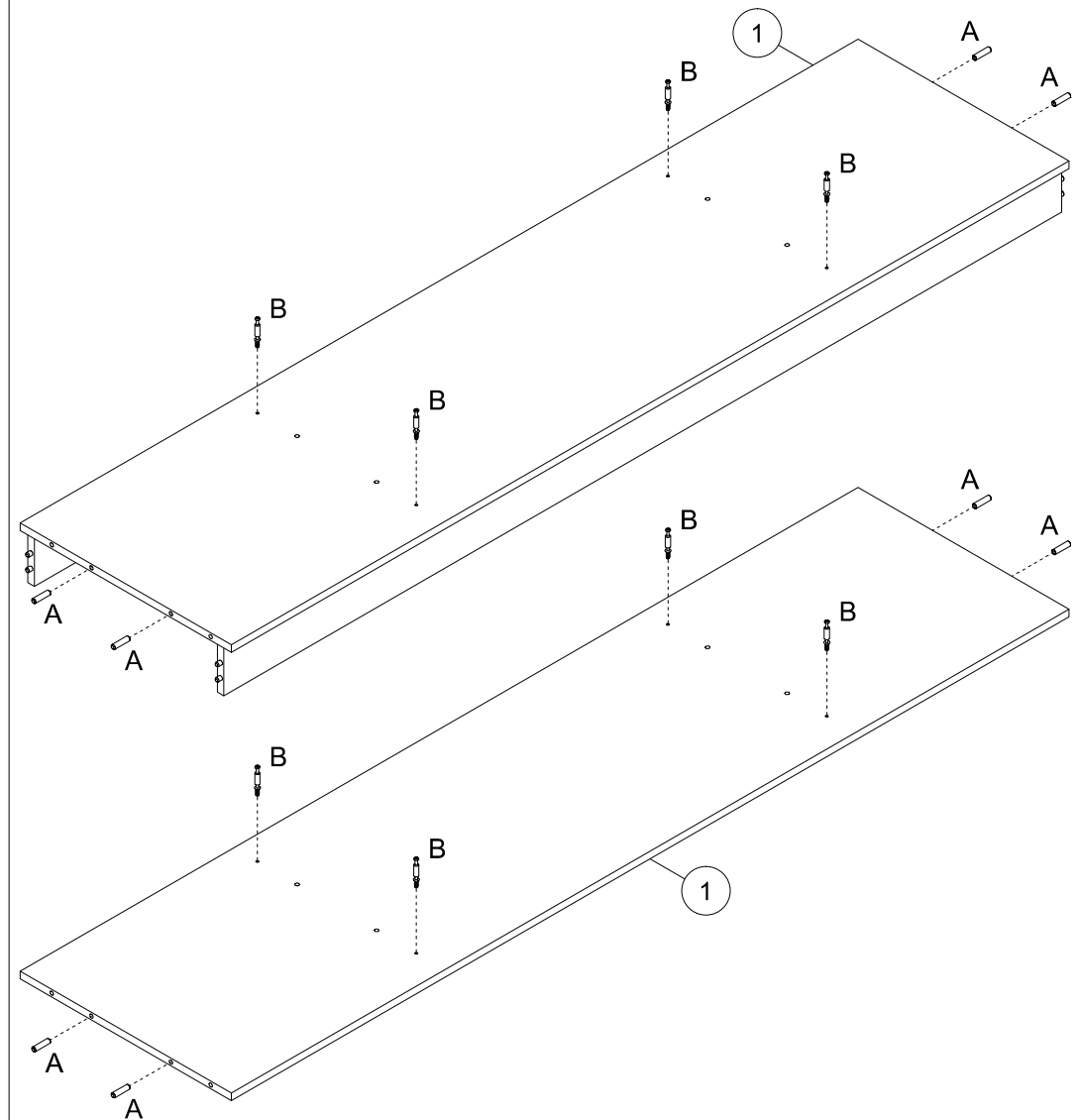
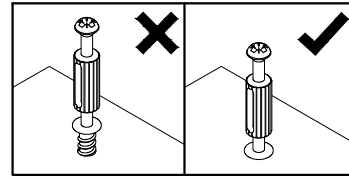
A	8x32		x48
B		x44	
C		x44	
DR	L-968		x1
N	3x20		x148
NM	4x30		x64
ND	3.5x16		x57
P+H0		x6	
RPS	400mm		x2
R8		x3	
S	L-1896mm		x1
SI		x4	
SP		x10	
SZP	400mm		x2
T		x2	
TA		x1	
W+H2		x6	
V	3x13		x6
Z		x12	
ZC		x30	
ZZ		x16	

1	2024	510	16	x2	2 / 5
2L	2000	510	16	x1	1 / 5
2R	2000	510	16	x1	1 / 5
3L	1867	491	16	x1	3 / 5
3R	1867	491	16	x1	3 / 5
4	508	474	16	x4	3 / 5
5	976	491	16	x1	3 / 5
6	508	460	16	x2	3 / 5
6	508	460	16	x2	5 / 5
7	2024	100	16	x2	2 / 5
8L	400	150	16	x2	3 / 5
8R	400	150	16	x2	3 / 5
9	919	145	16	x2	4 / 5
10	949	405	2.5	x2	1 / 5
11	1896	530	2.5	x2	1 / 5
12	1896	495	2.5	x2	1 / 5
13	236	1004	16	x2	2 / 5
14	1860	500	16	x2	4 / 5
15	1380	500	16	x2	5 / 5
16	1860	18	18	x16	4 / 5

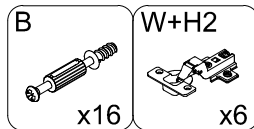
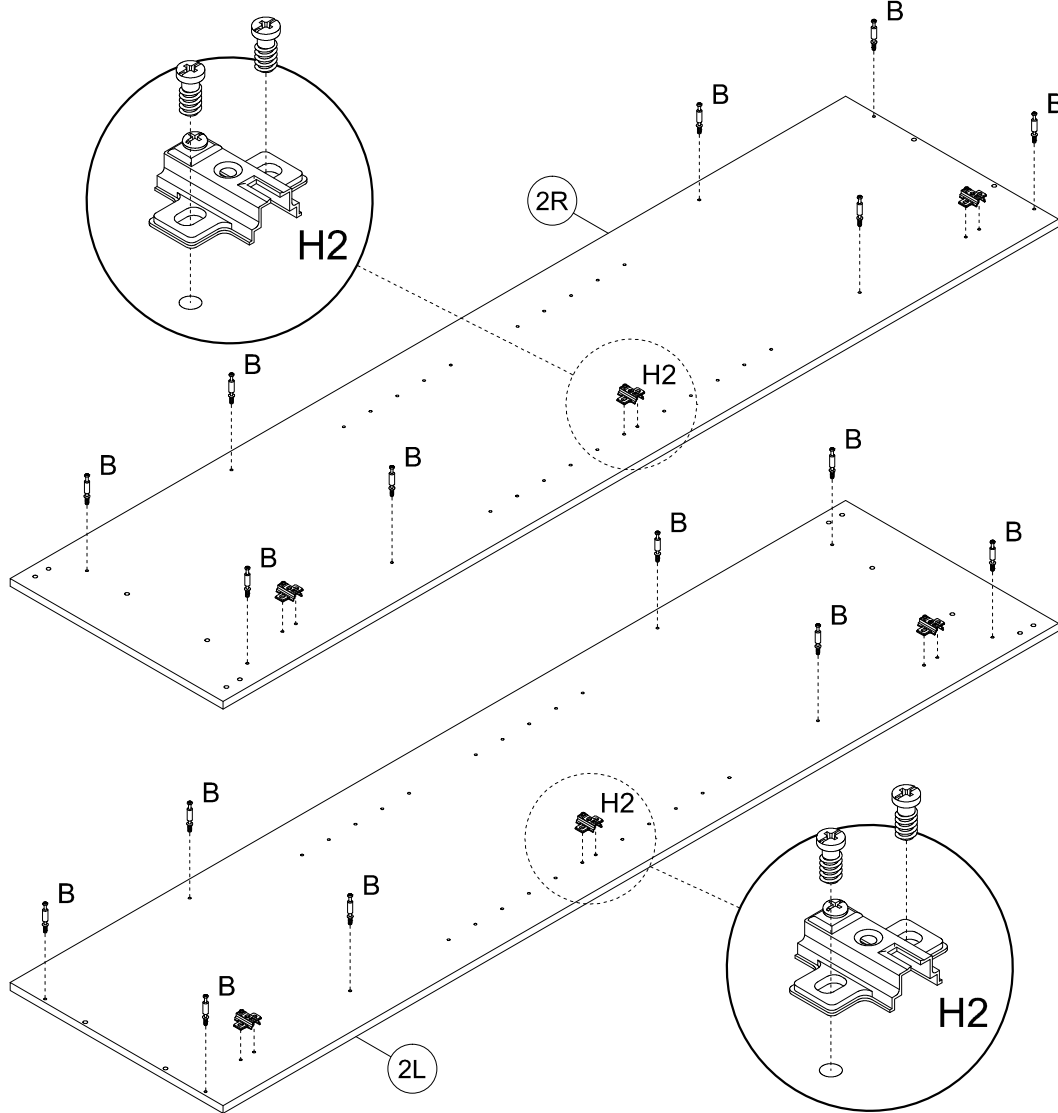
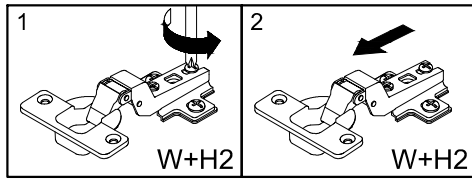
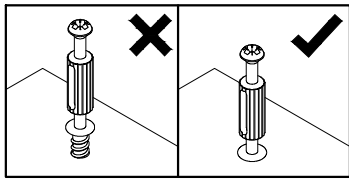
1



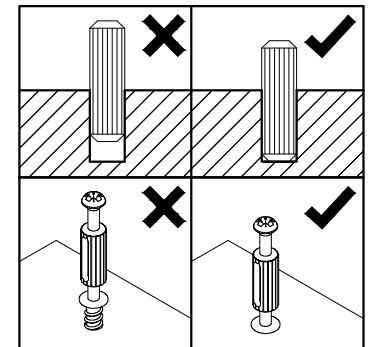
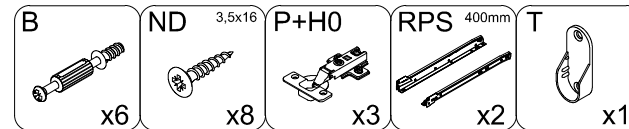
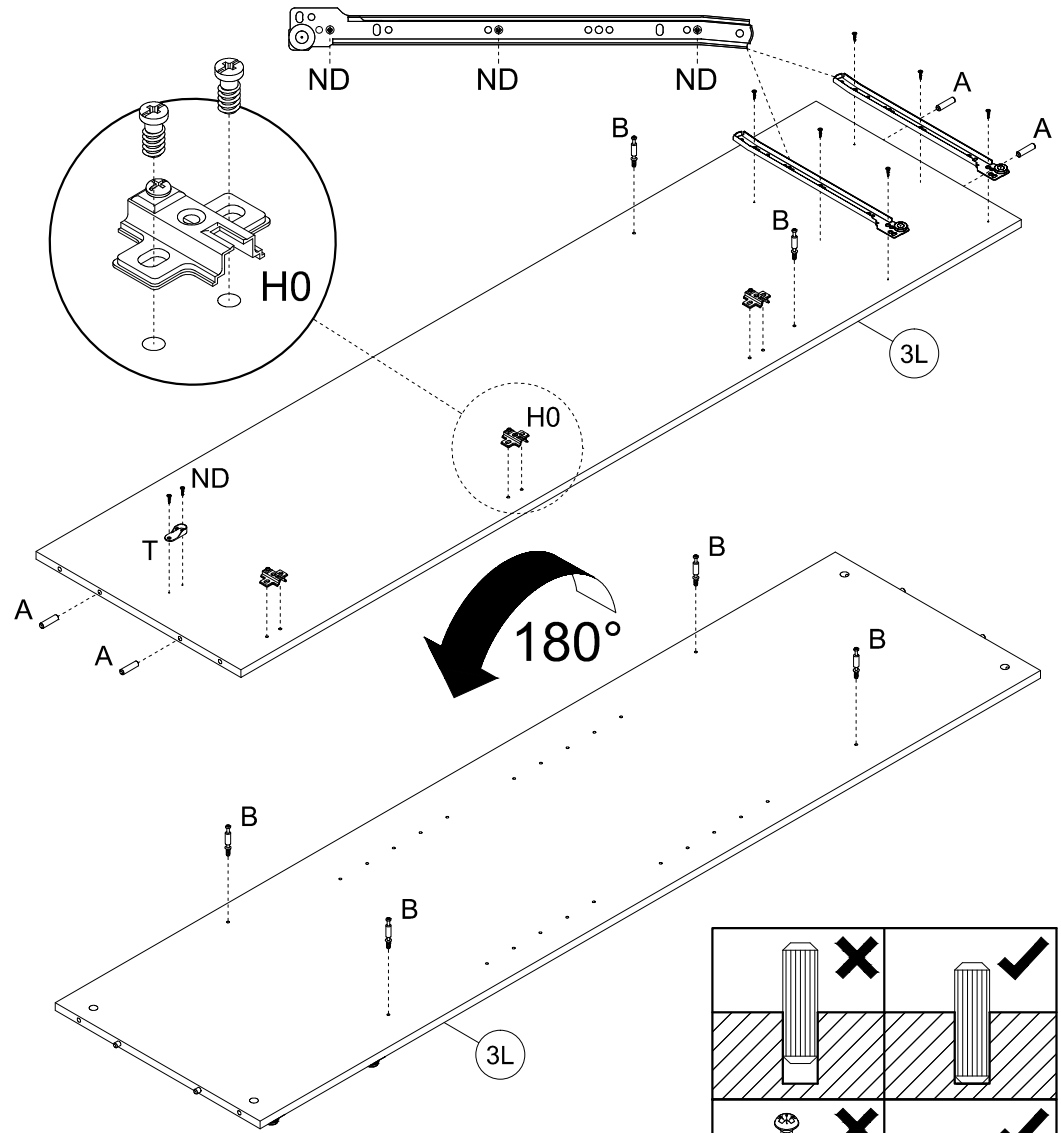
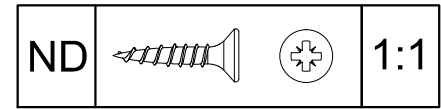
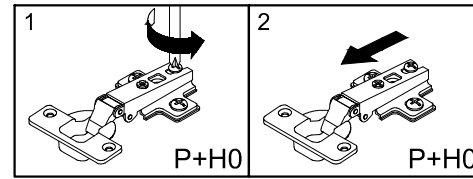
2



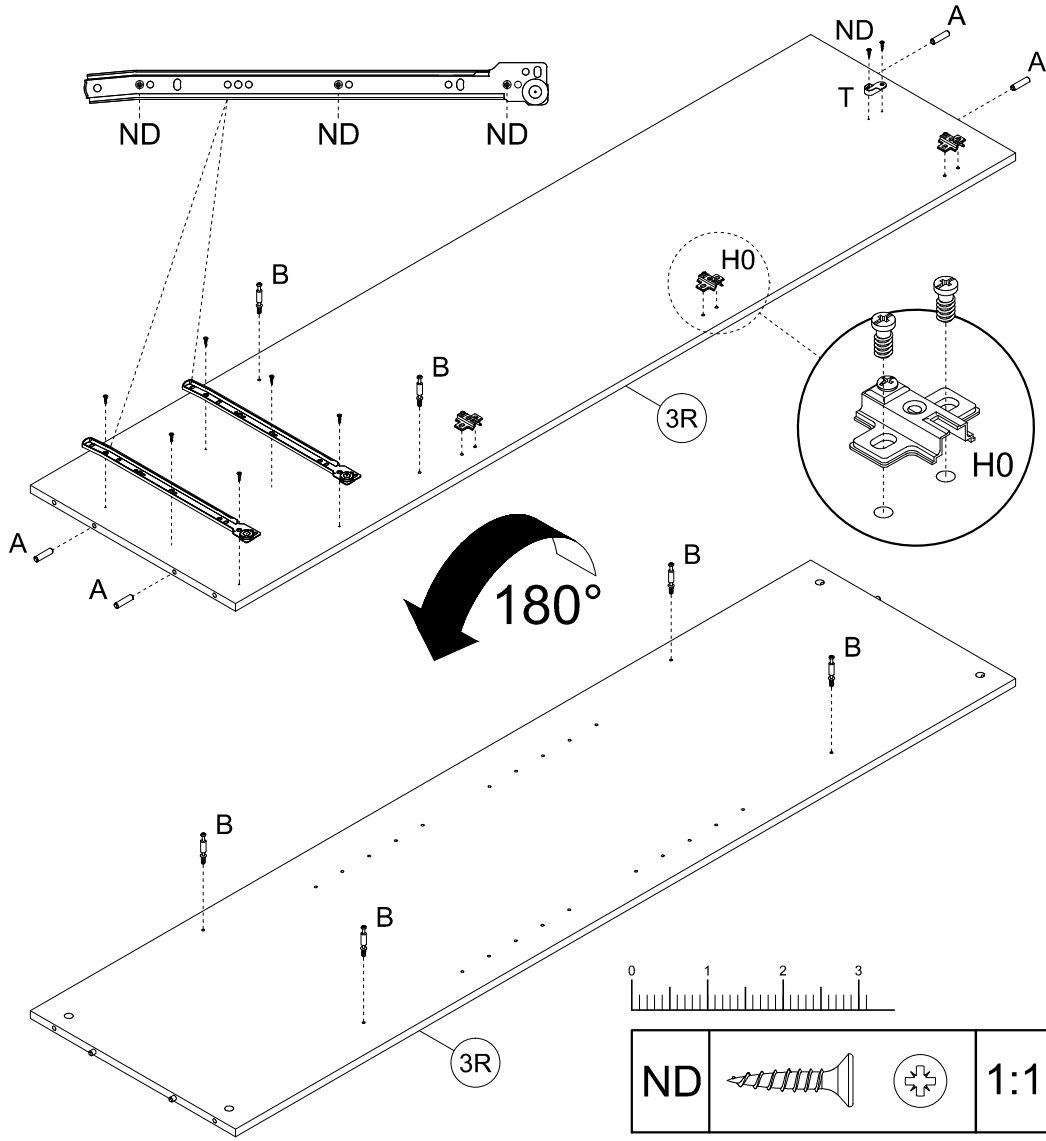
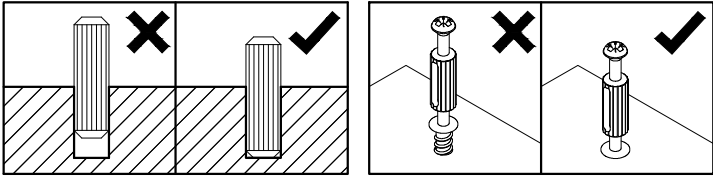
3



4



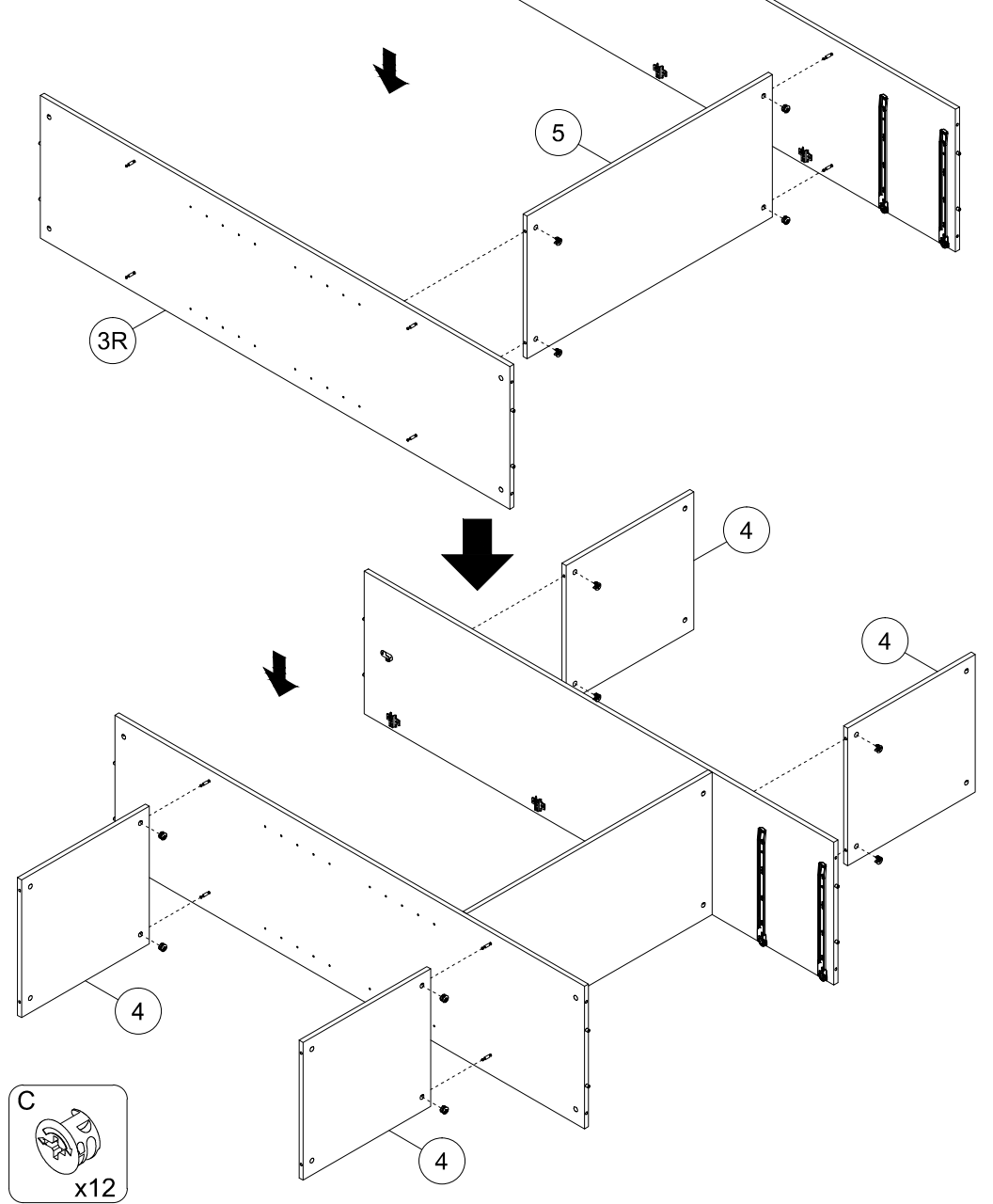
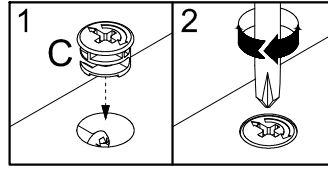
5



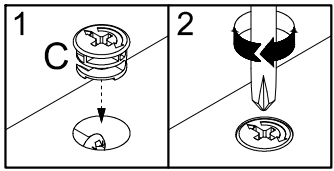
ND			1:1
----	--	--	-----

B	ND 3.5x16	P+H0	RPS 400mm	T
x6	x8	x3	x2	x1

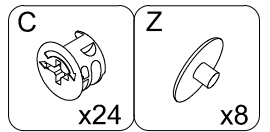
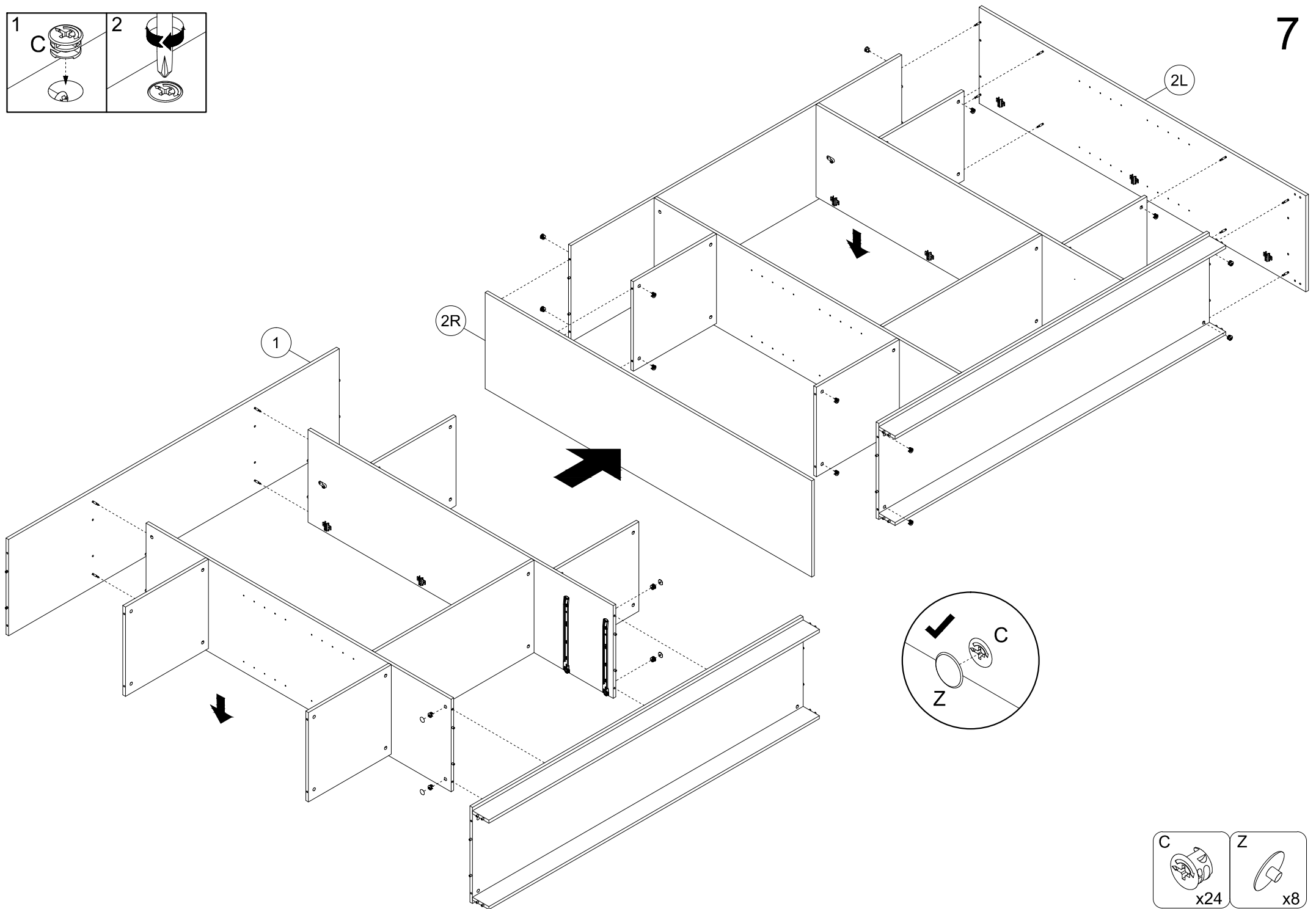
6



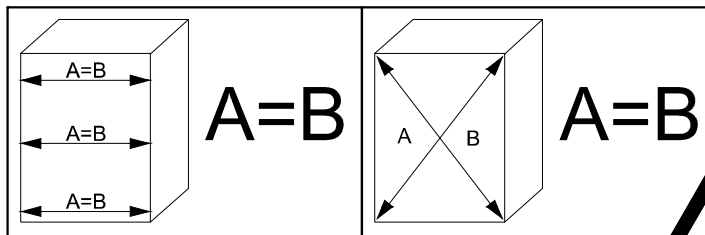
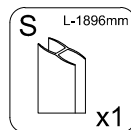
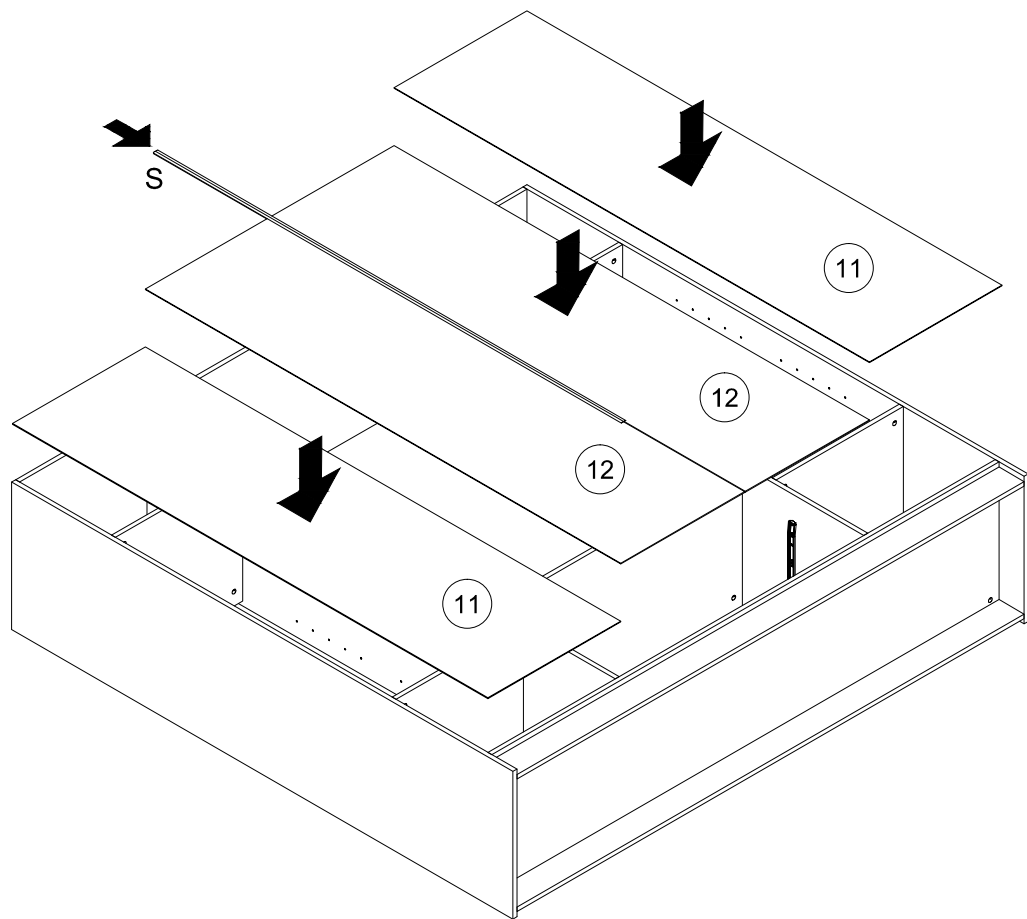
C
x12



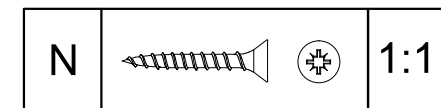
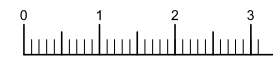
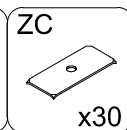
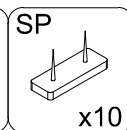
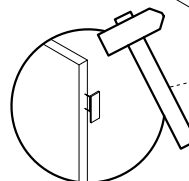
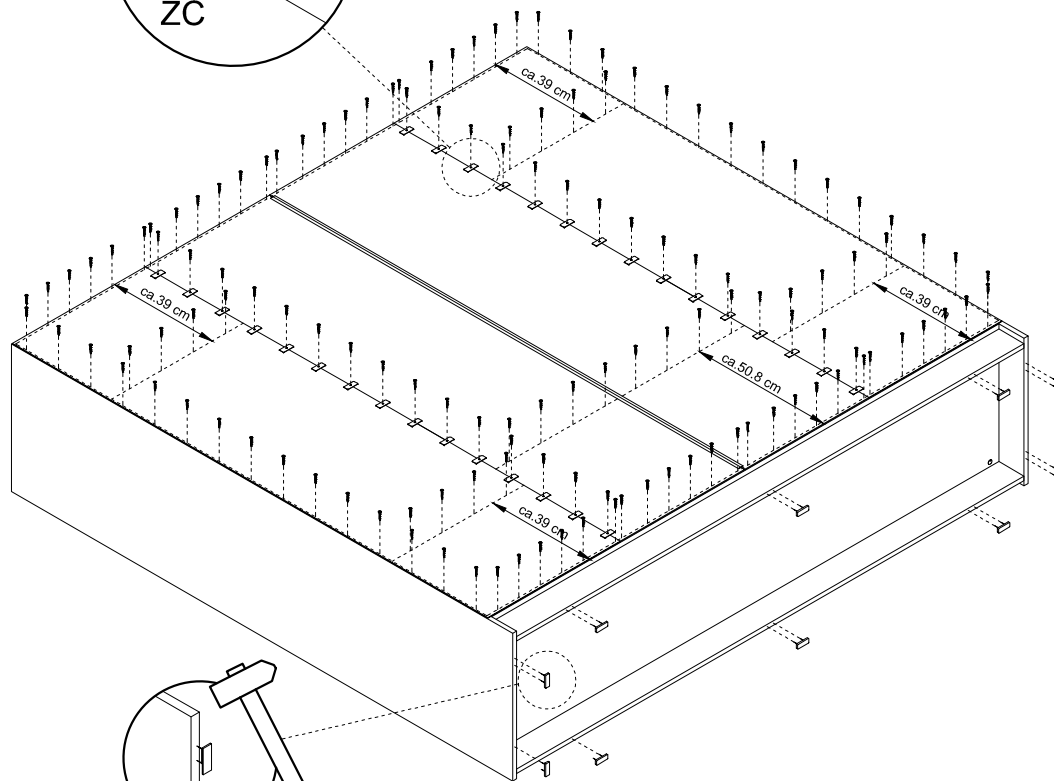
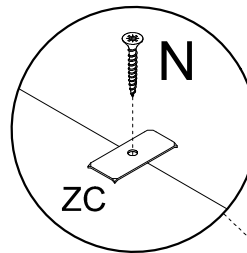
7



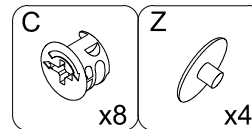
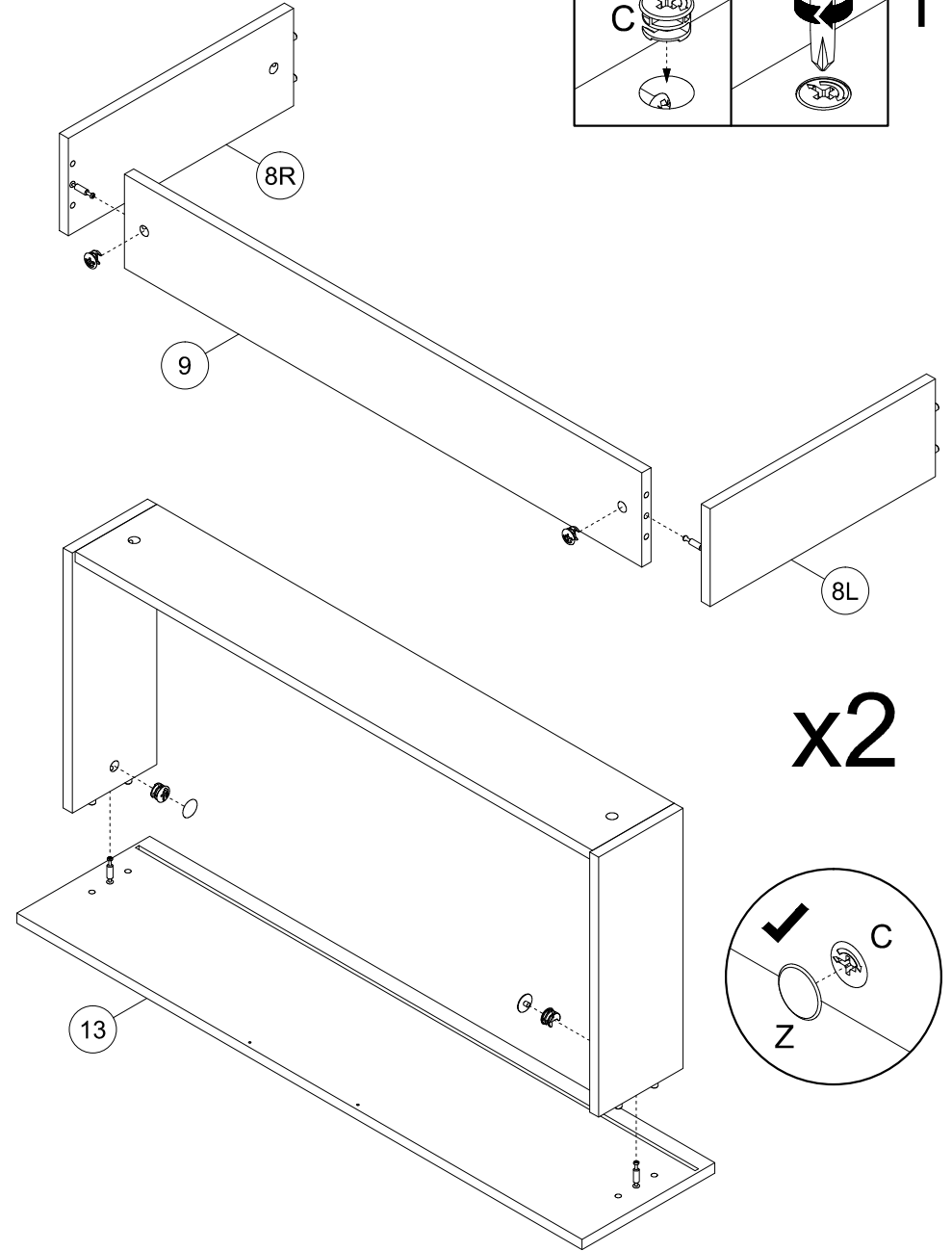
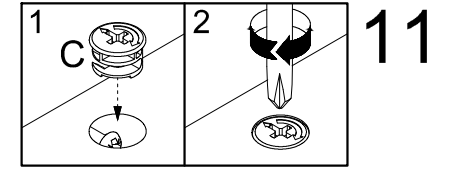
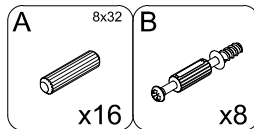
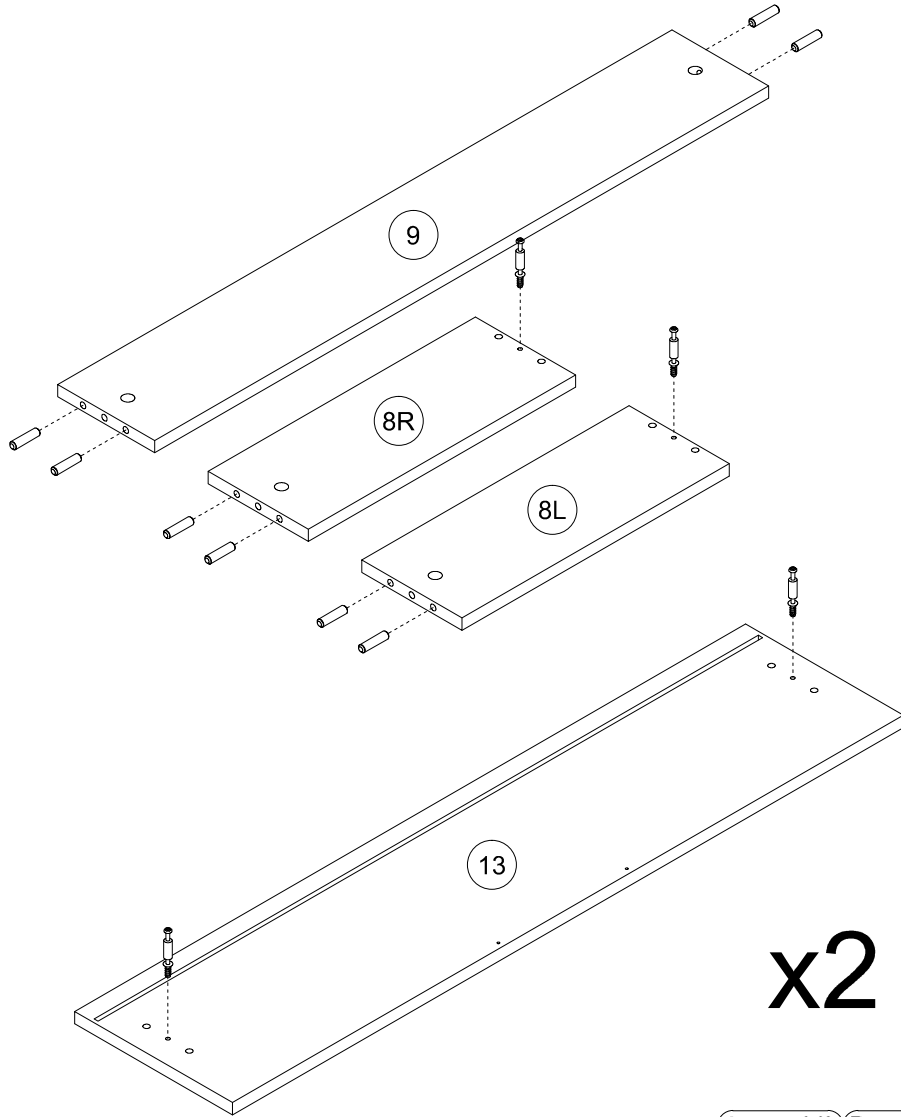
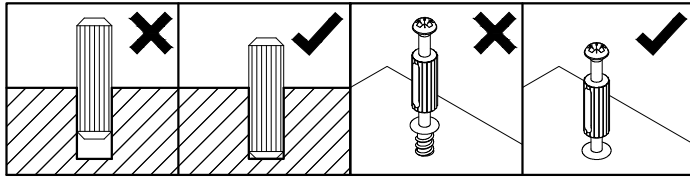
8



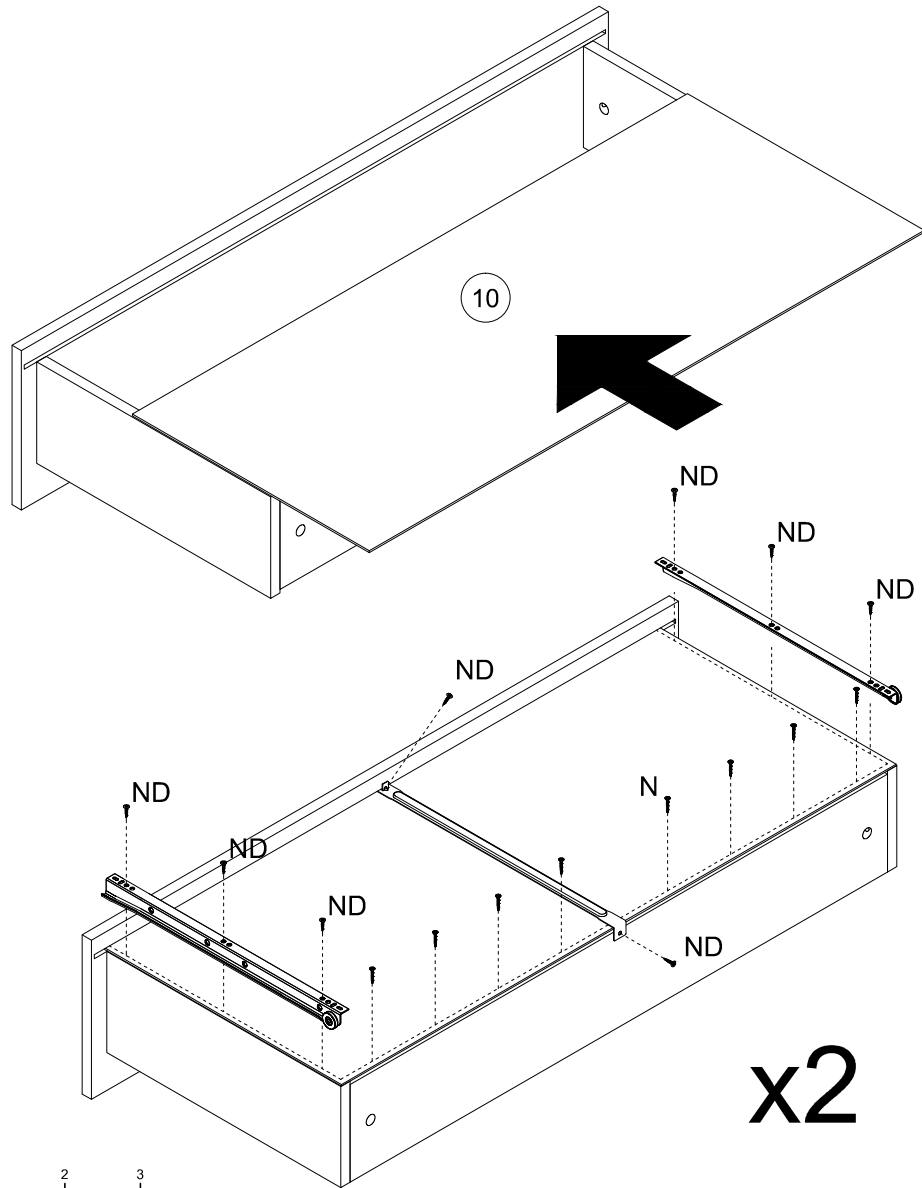
9



10



12

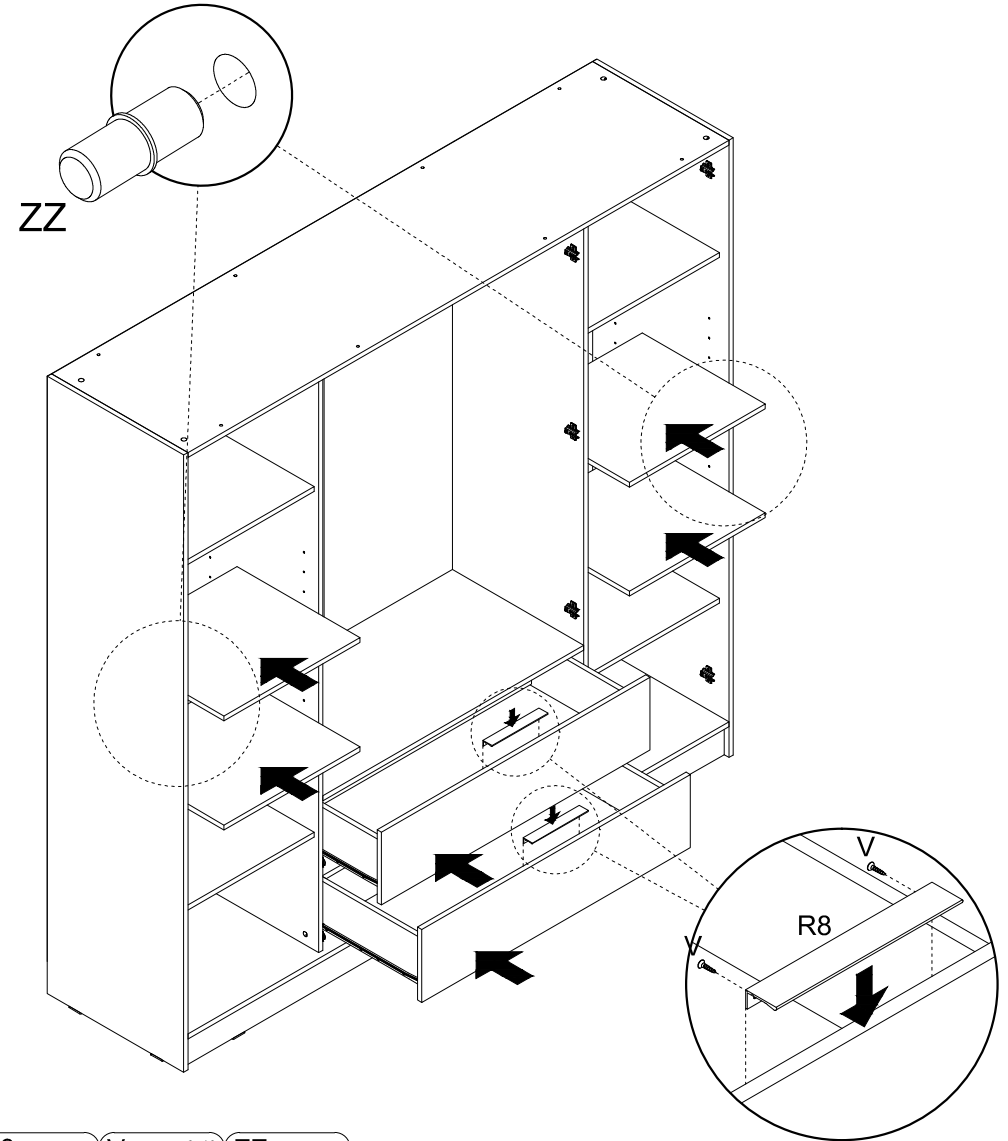
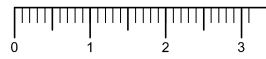


ND			1:1
N			1:1

N	3x20	ND	3,5x16	RPS	400mm
	x16		x16		x2

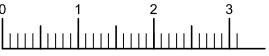
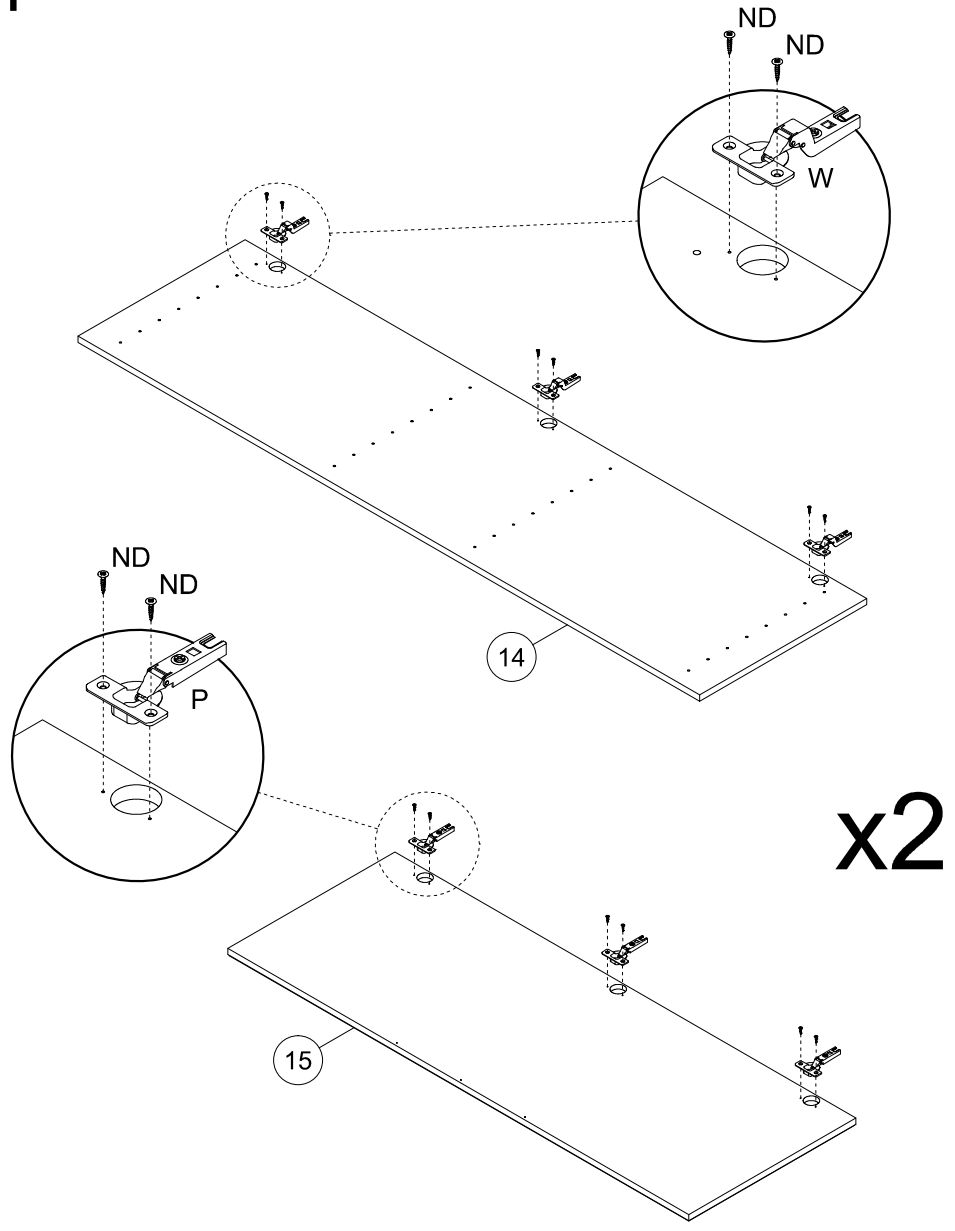
13

V			1:1
---	--	--	-----



R8	V	3x13	ZZ
		x4	
x2			x16

14

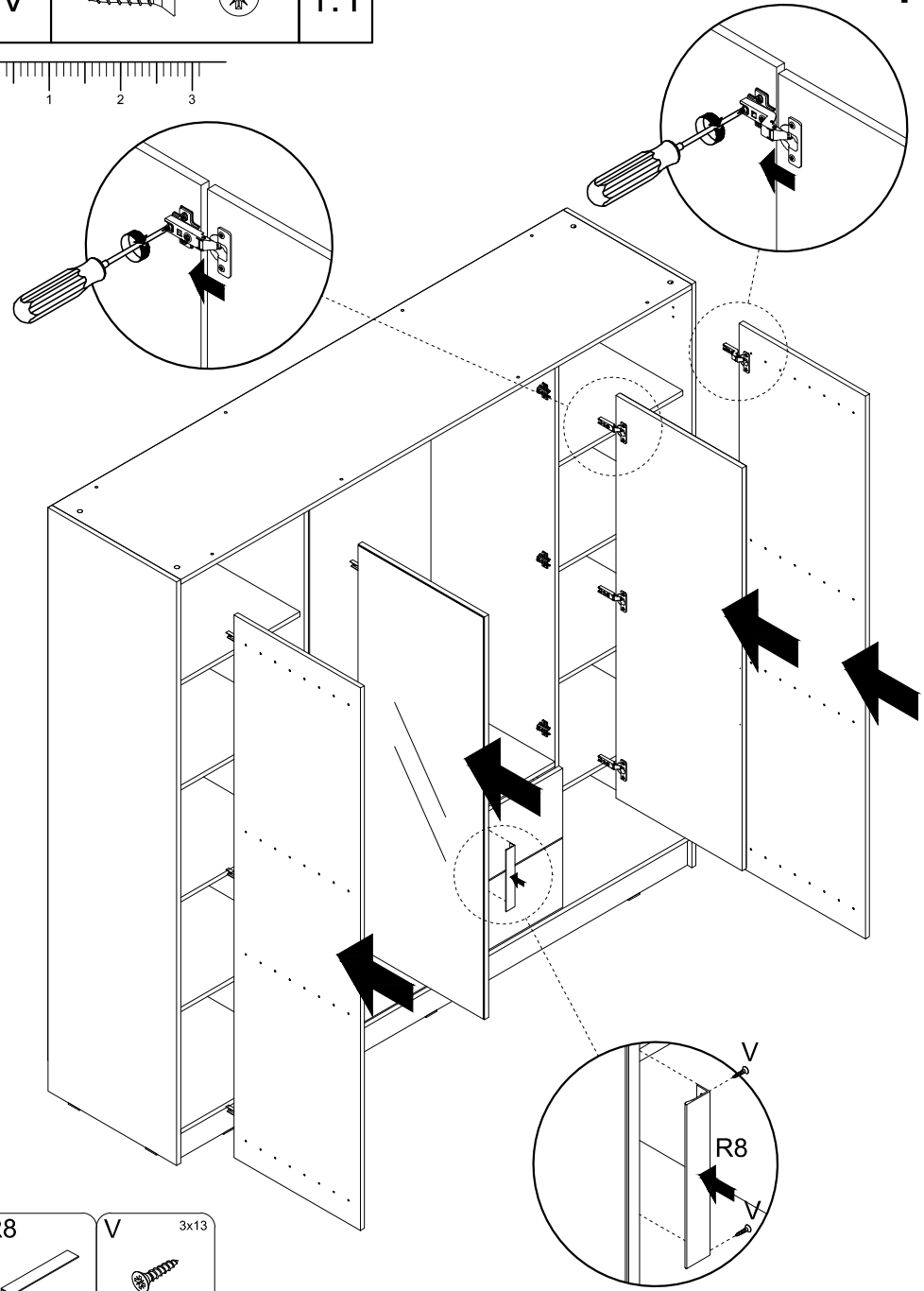


ND			1:1
----	--	--	-----

ND 3,5x16	P+H0	W+H2
x24	x6	x6

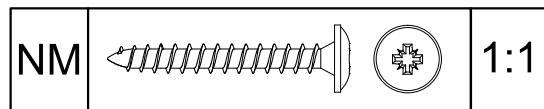
15

V			1:1
---	--	--	-----

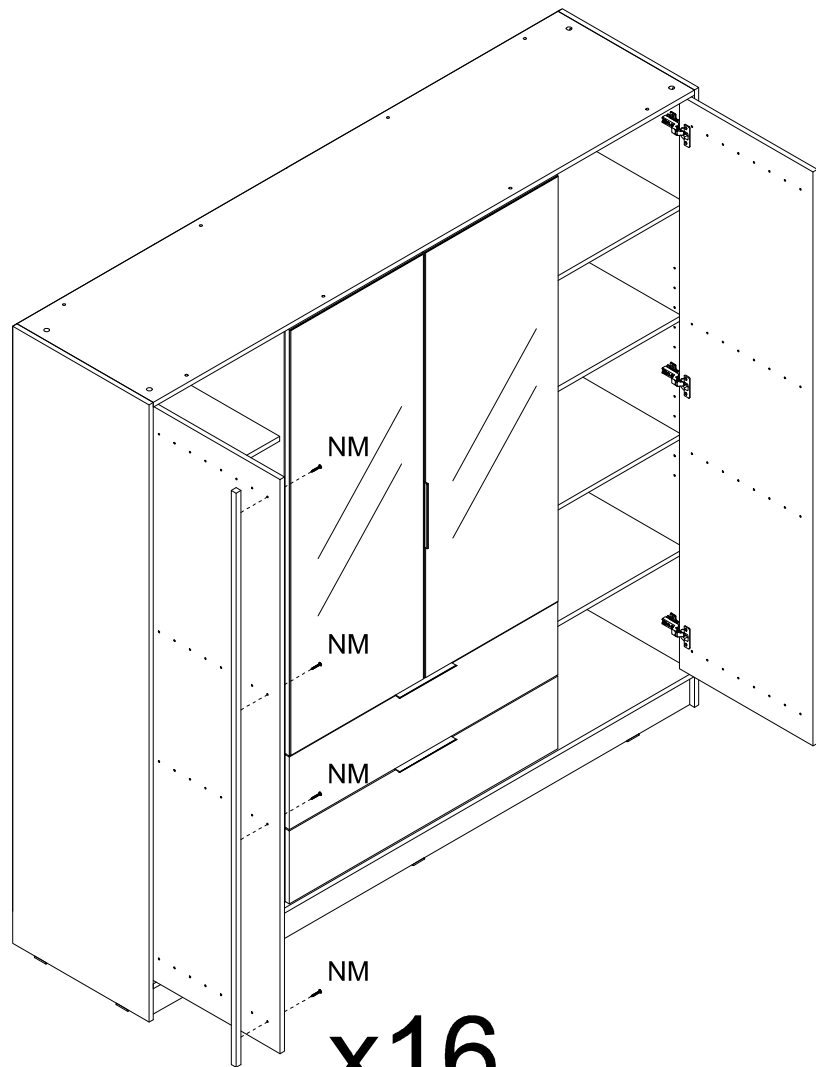


R8	V 3x13
x1	x2

16



17



x16

