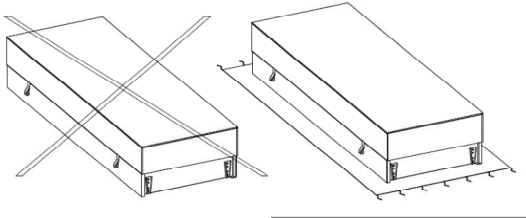
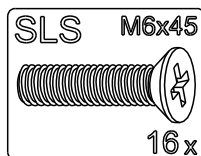
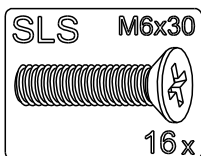
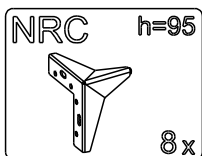
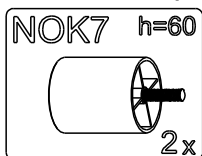
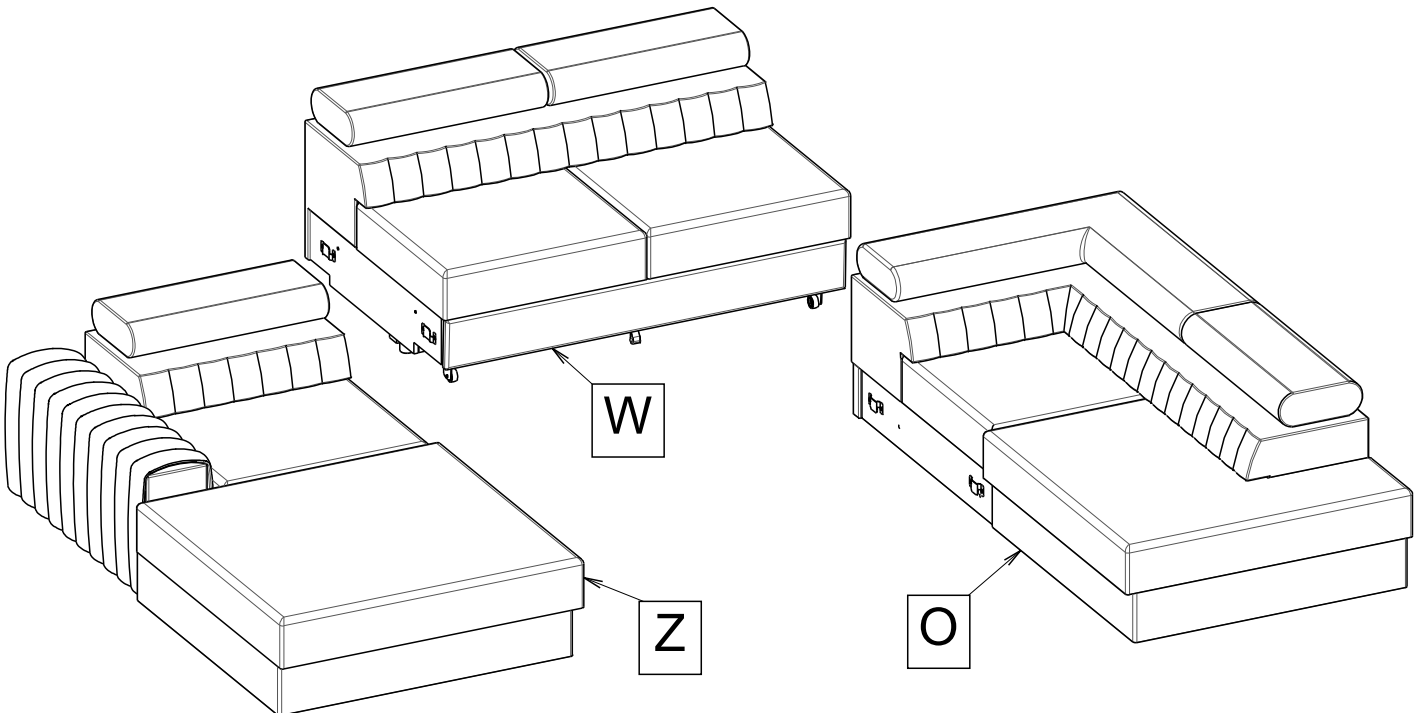
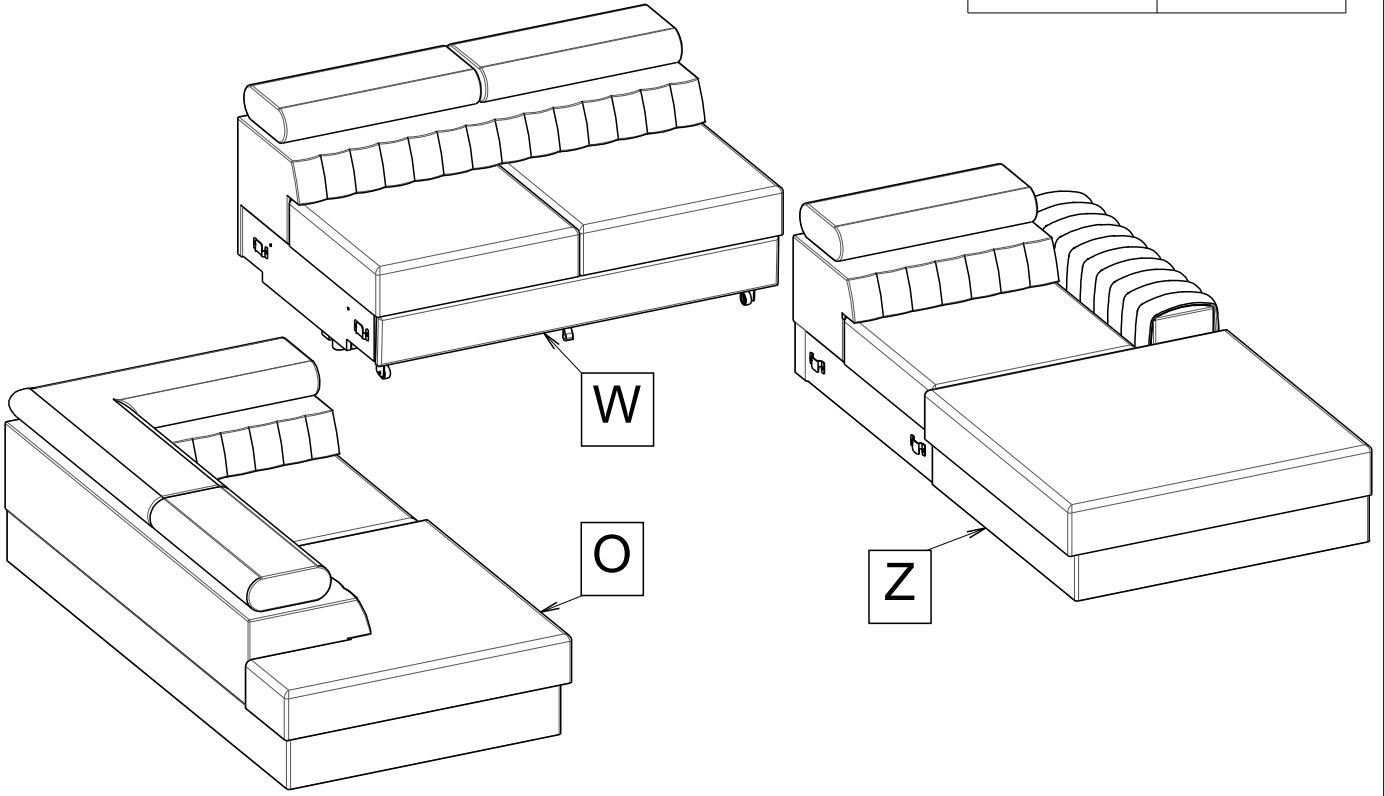


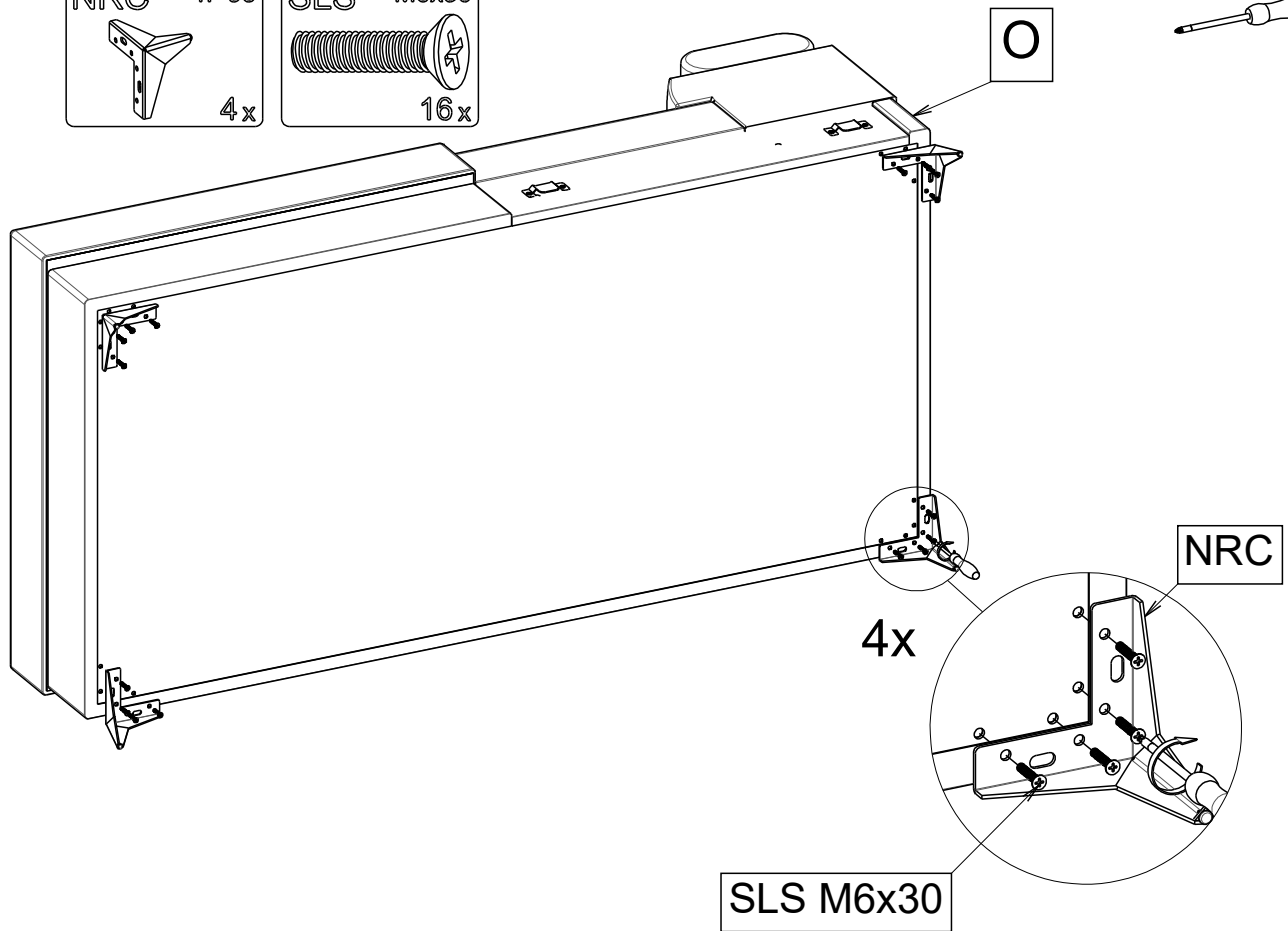
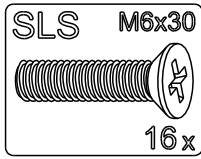
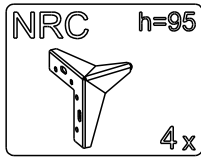
40min



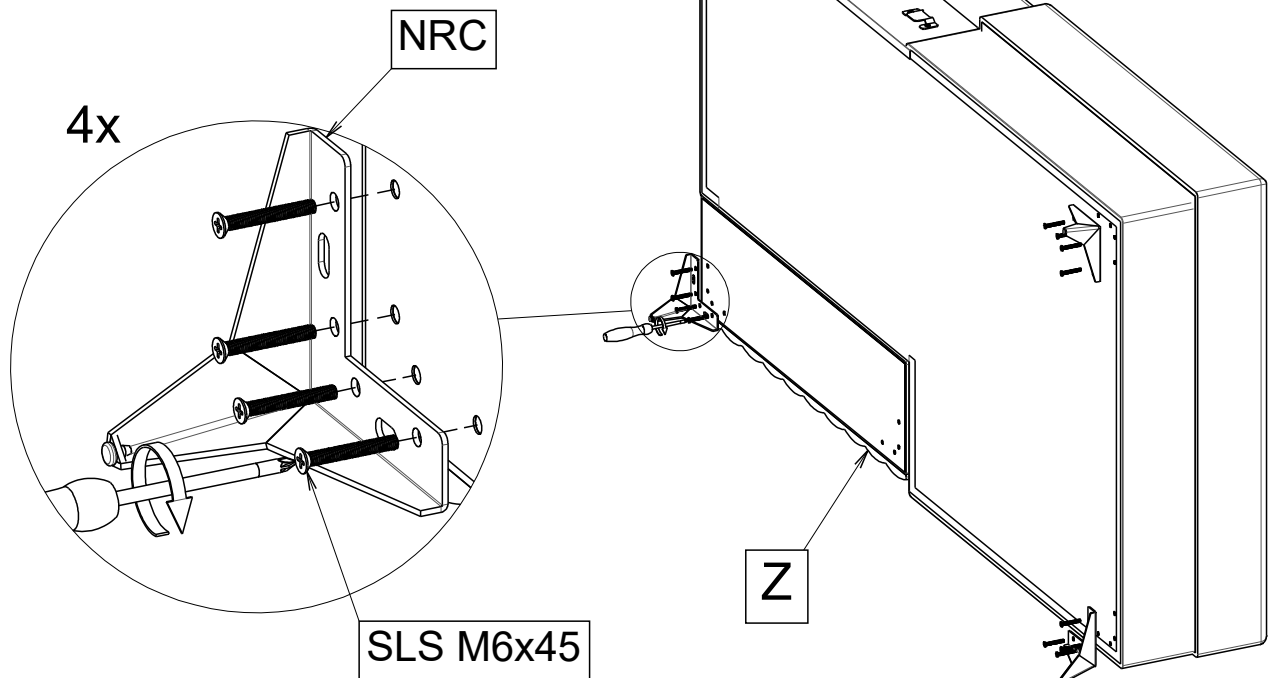
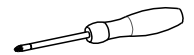
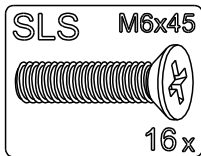
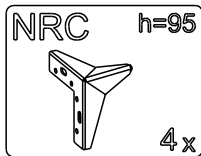
O	1x
W	1x
Z	1x



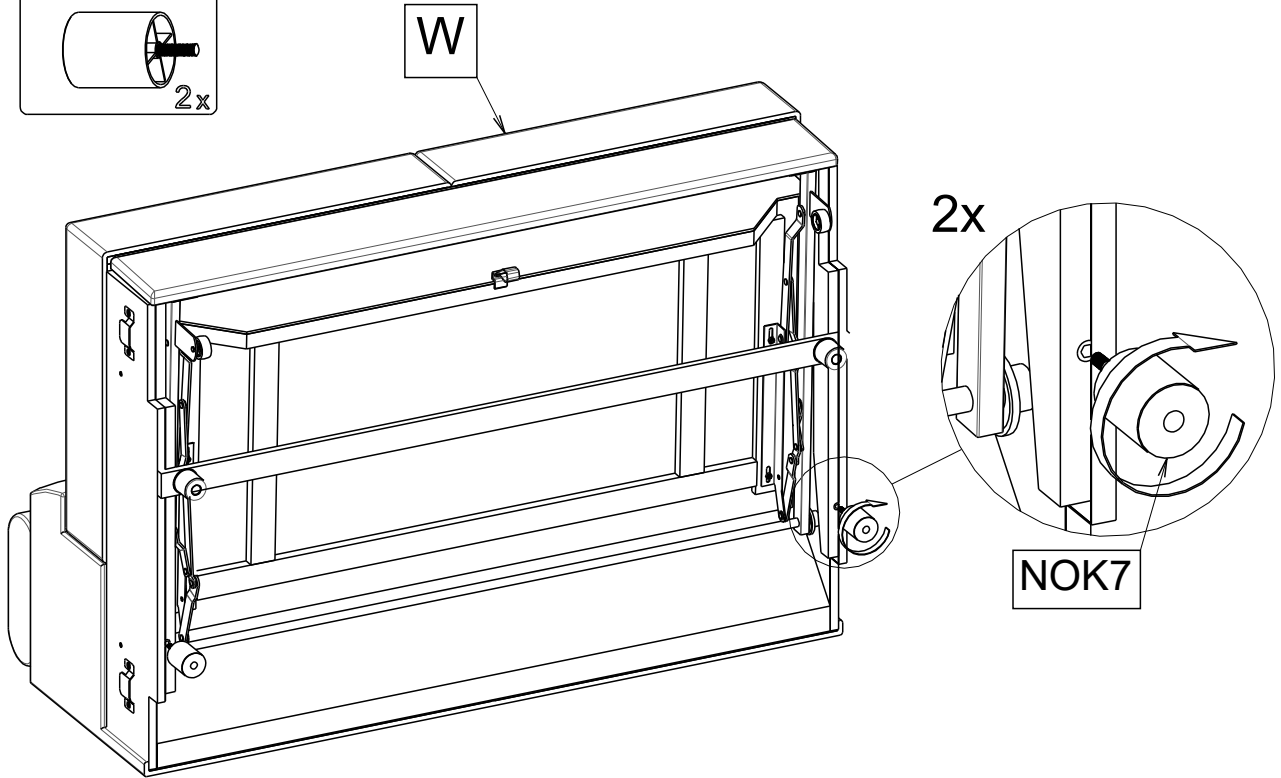
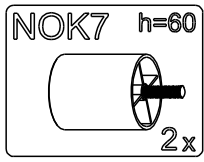
1



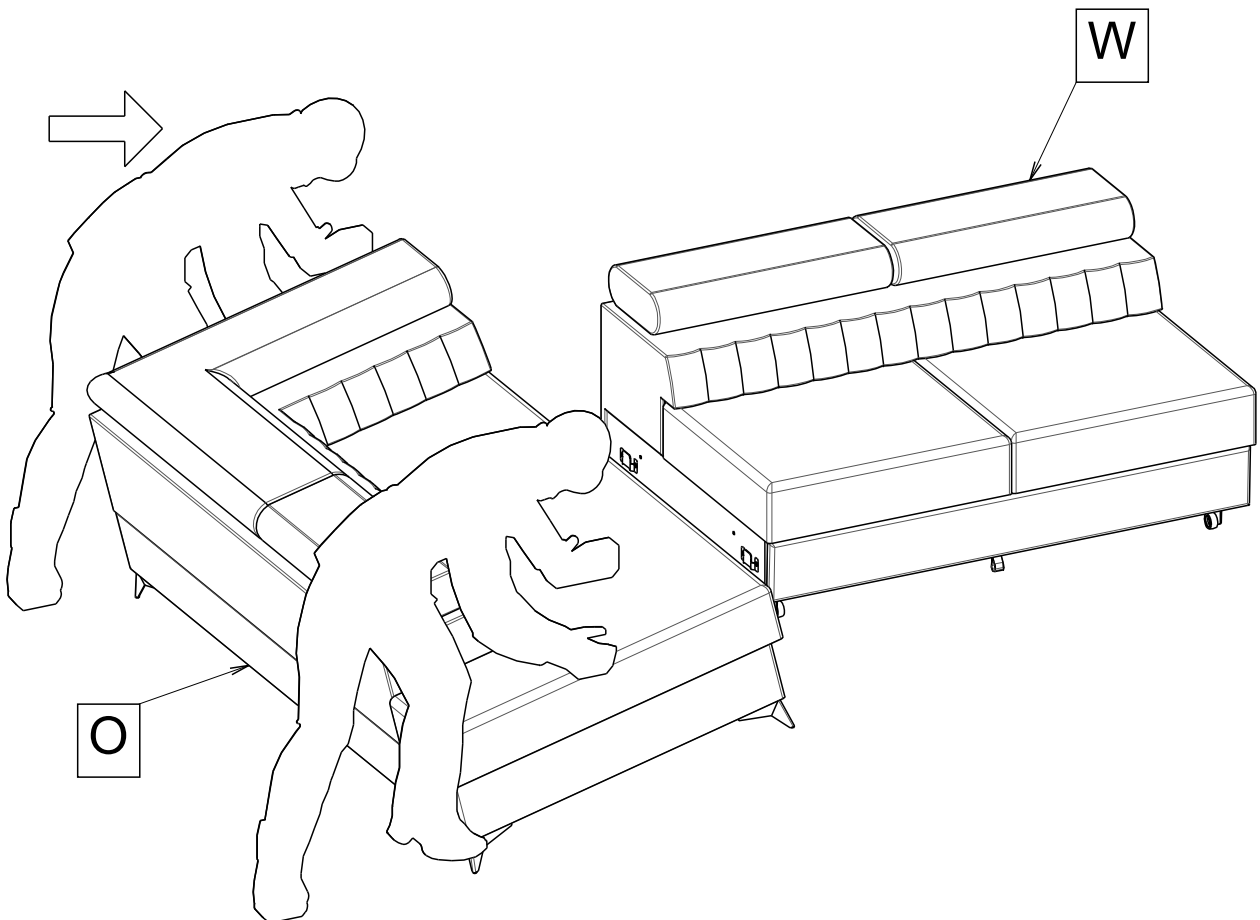
2



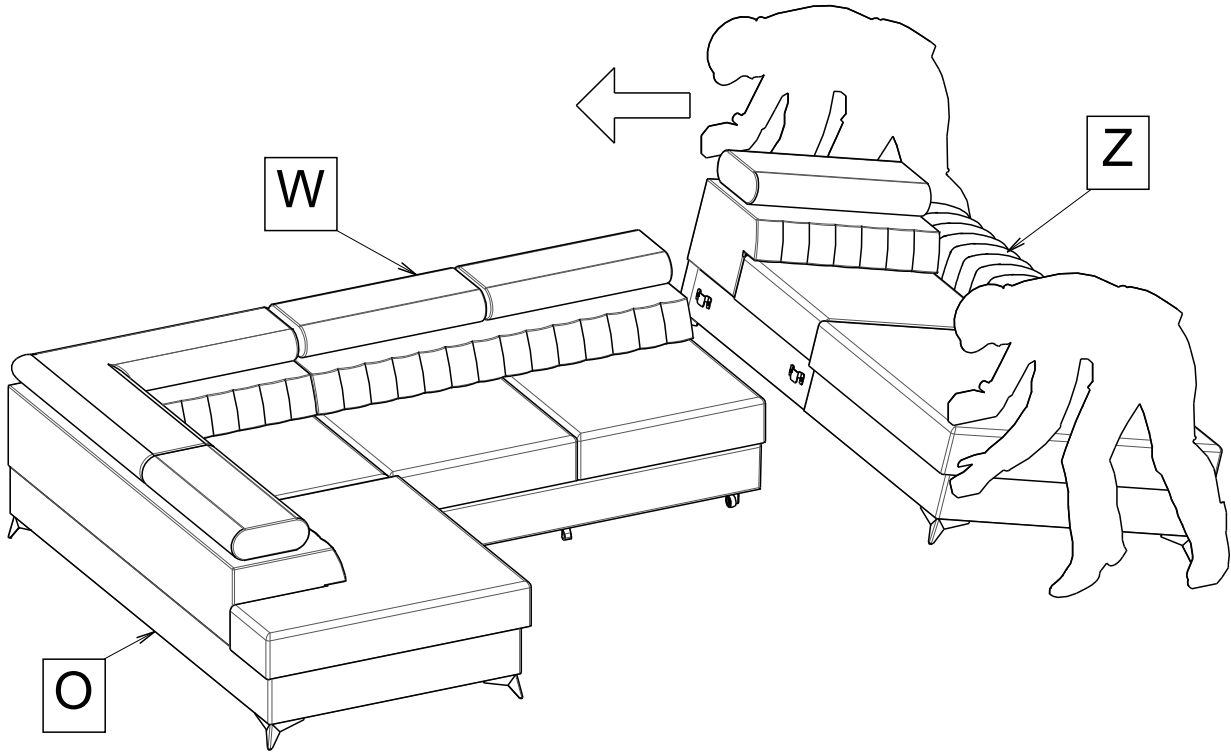
3



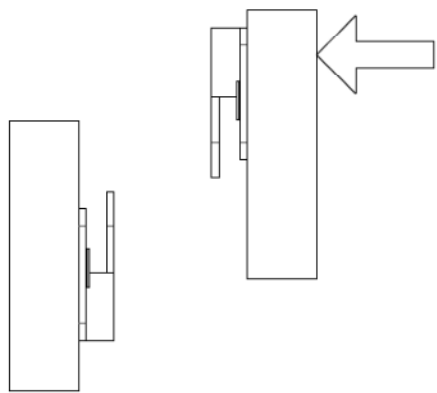
4



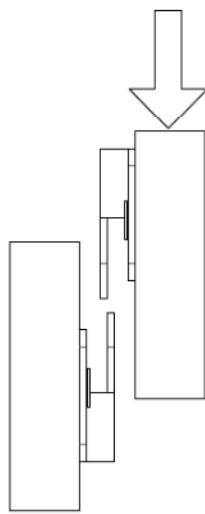
5



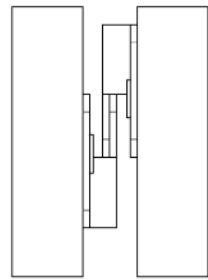
1)



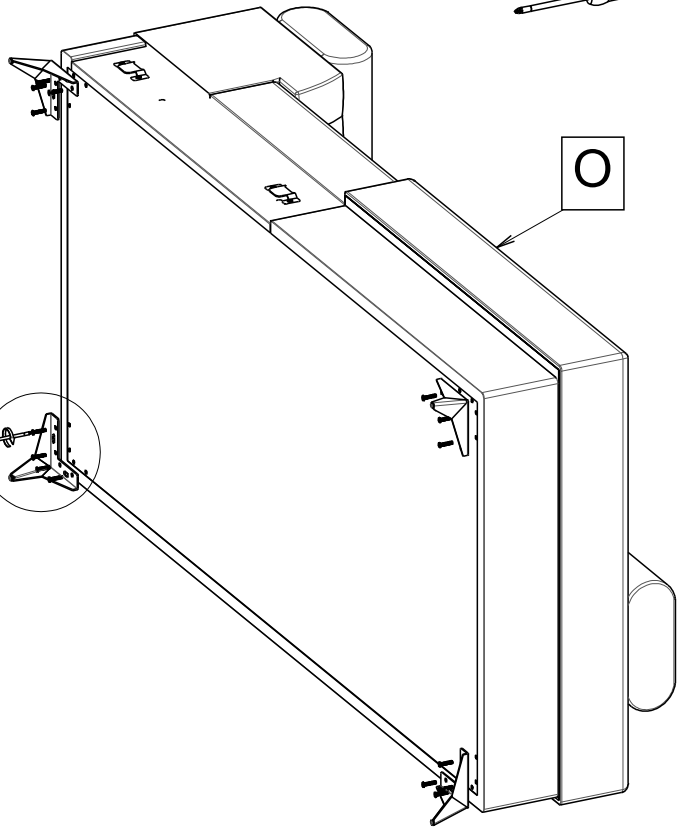
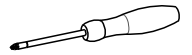
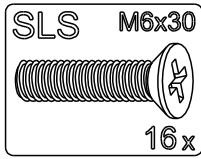
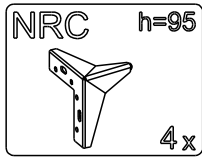
2)



3)

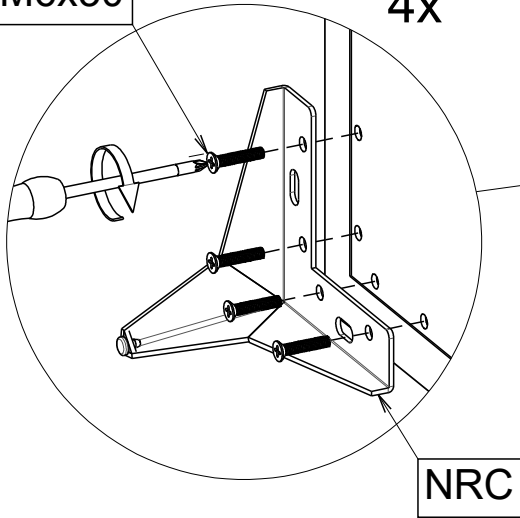


1



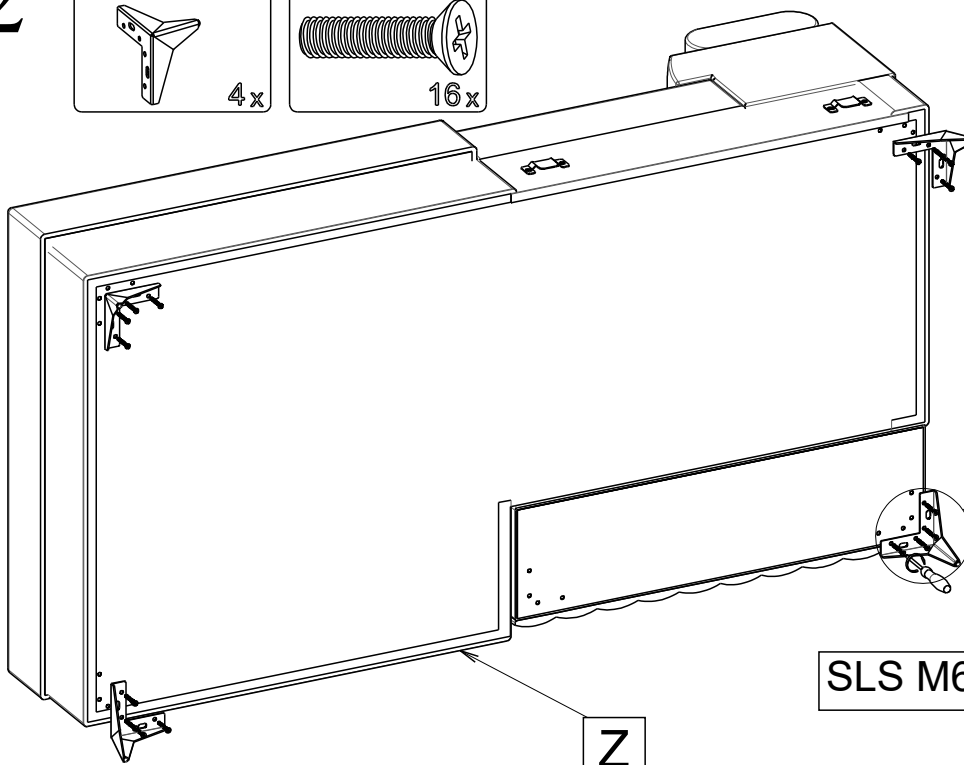
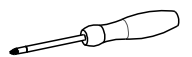
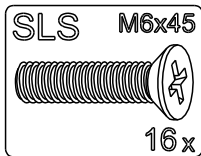
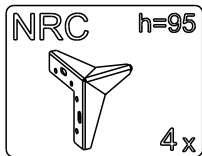
SLS M6x30

4x



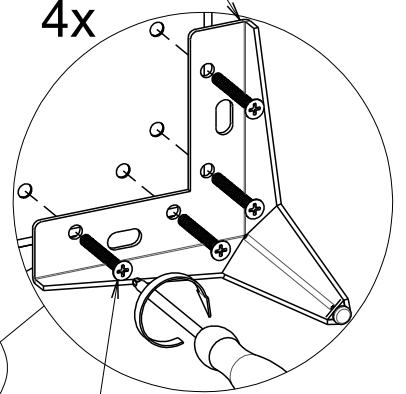
NRC

2



NRC

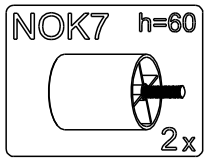
4x



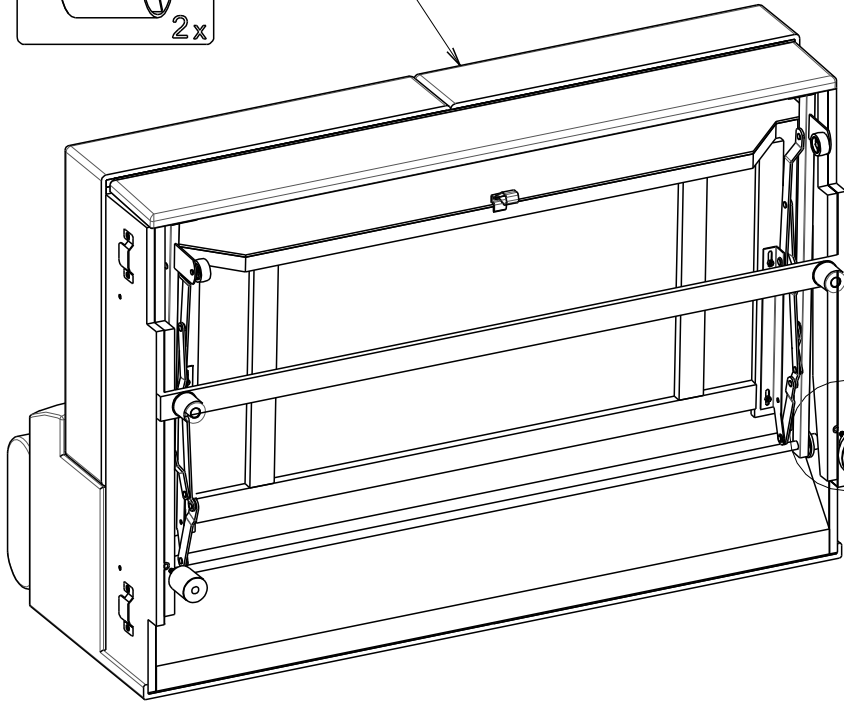
SLS M6x45

Z

3



W

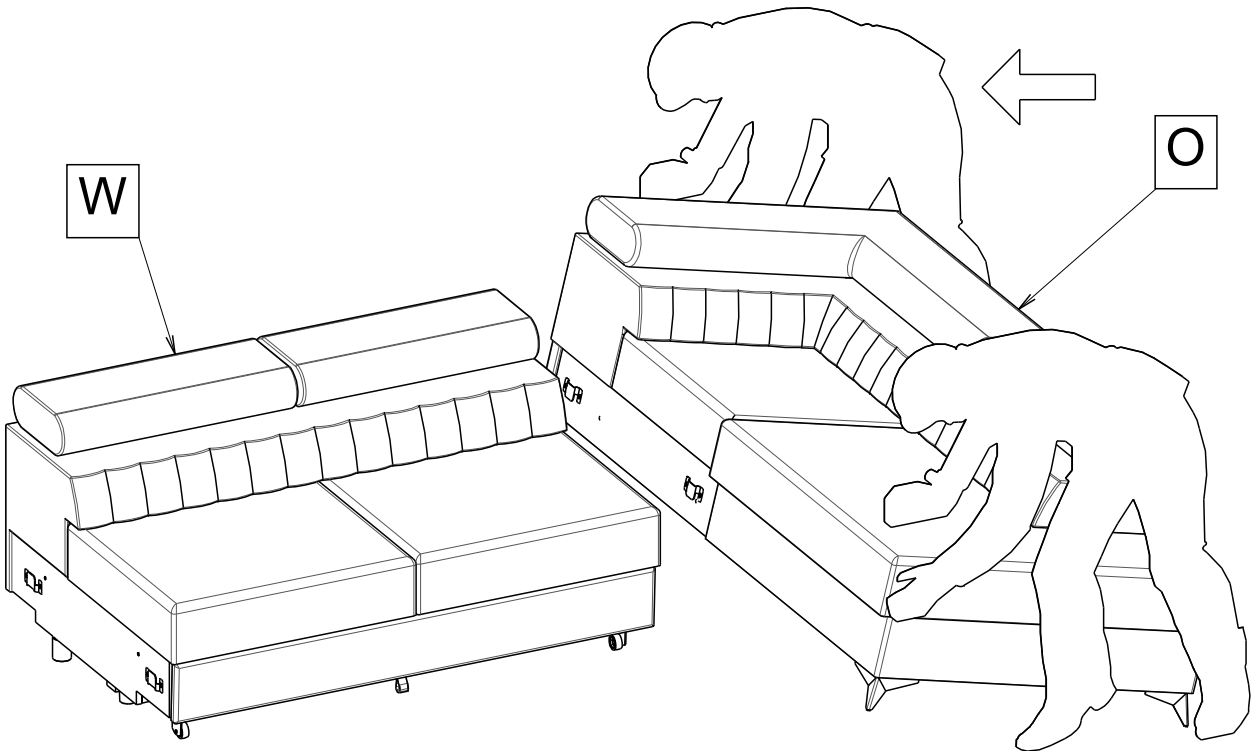


2x

NOK7

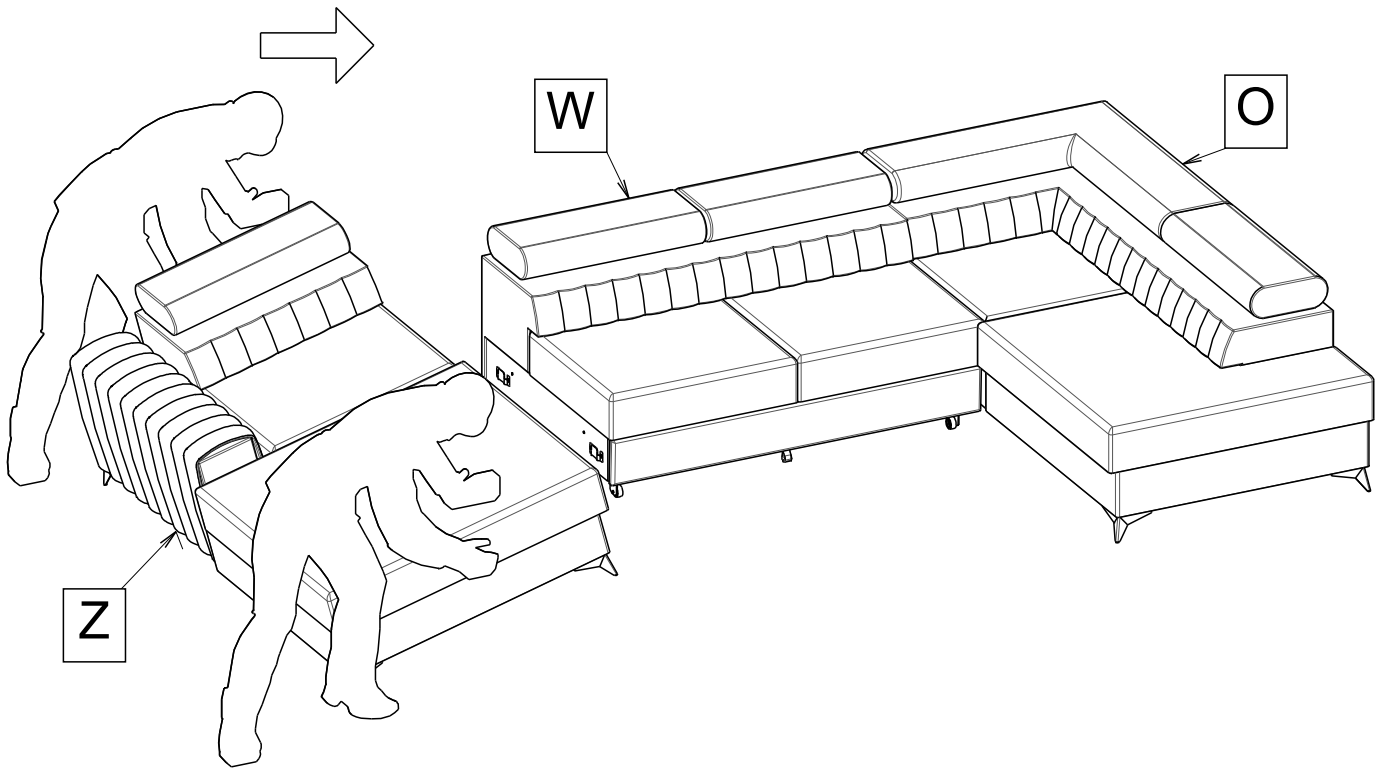
4

W

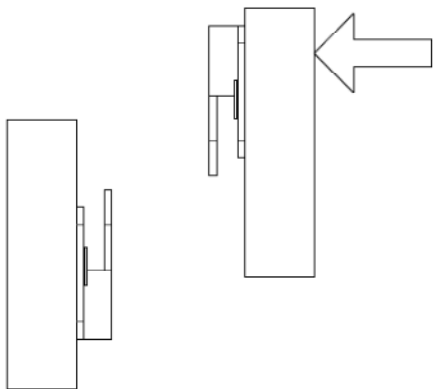


O

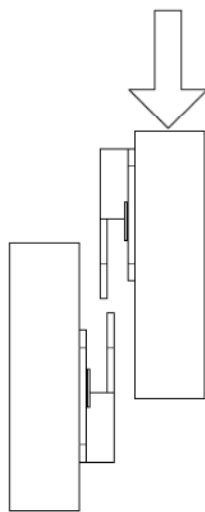
5



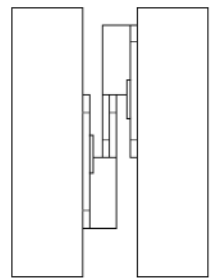
1)



2)

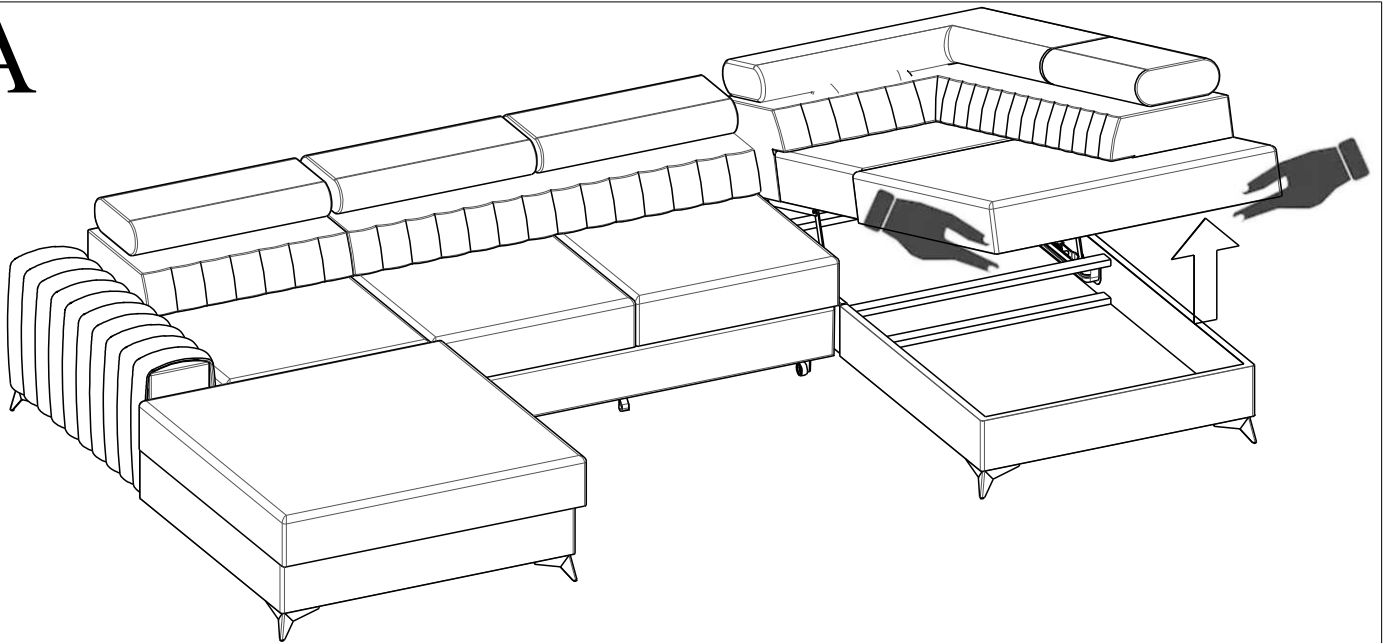


3)

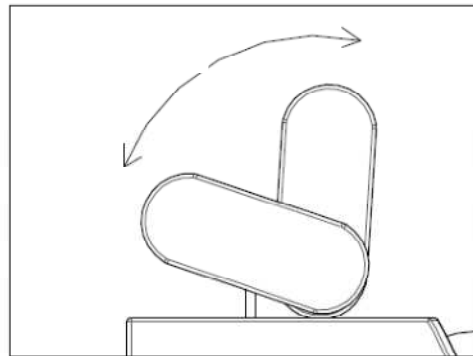
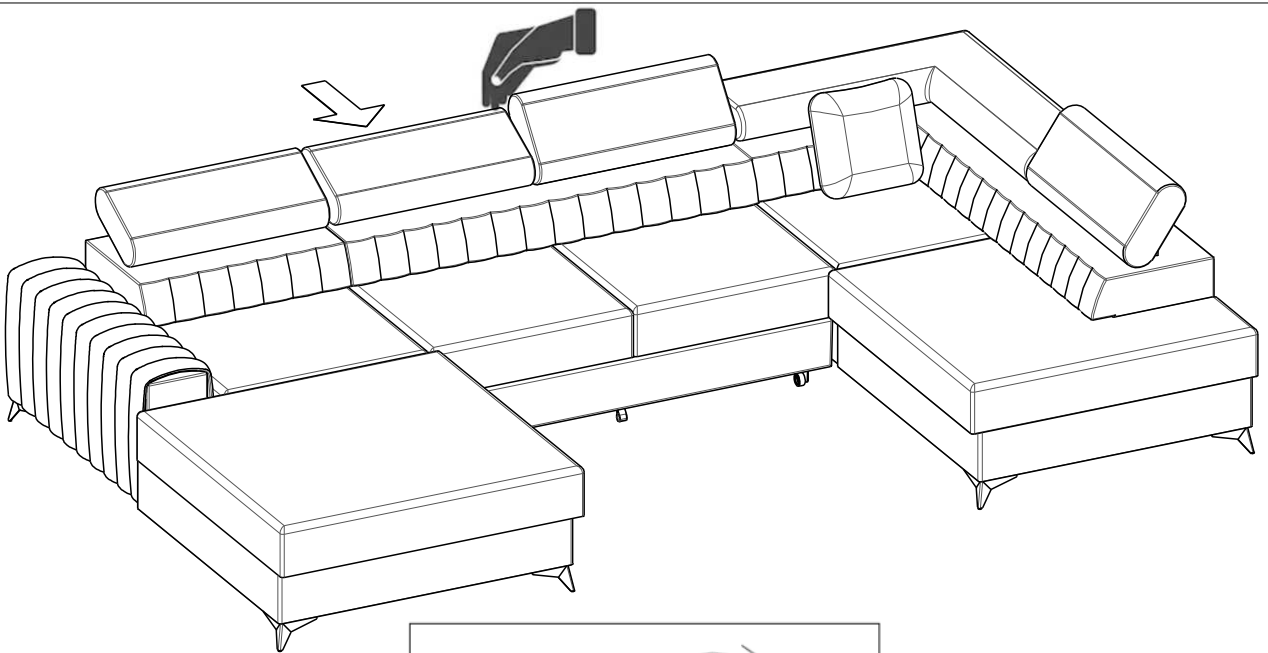




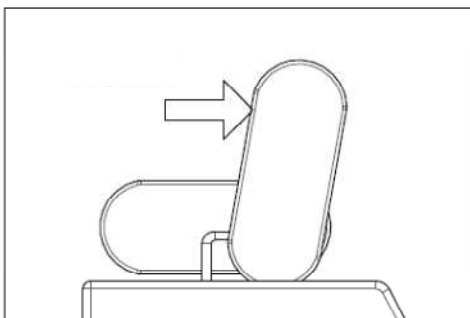
A



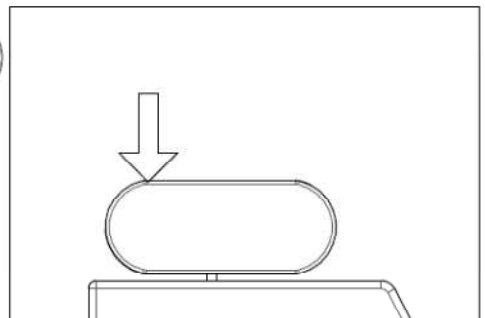
B



1



2



C

