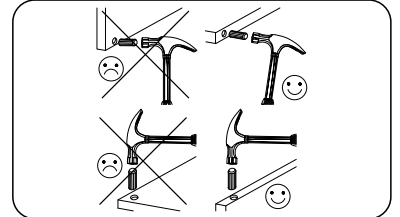
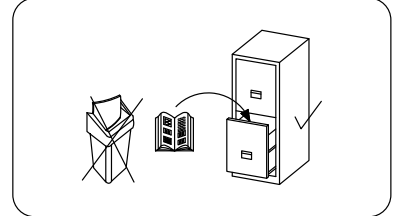
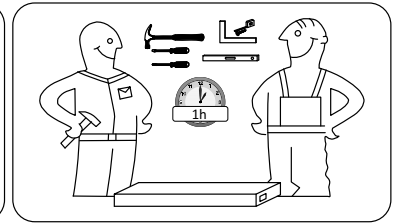
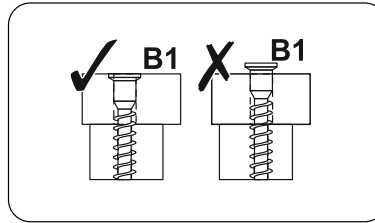
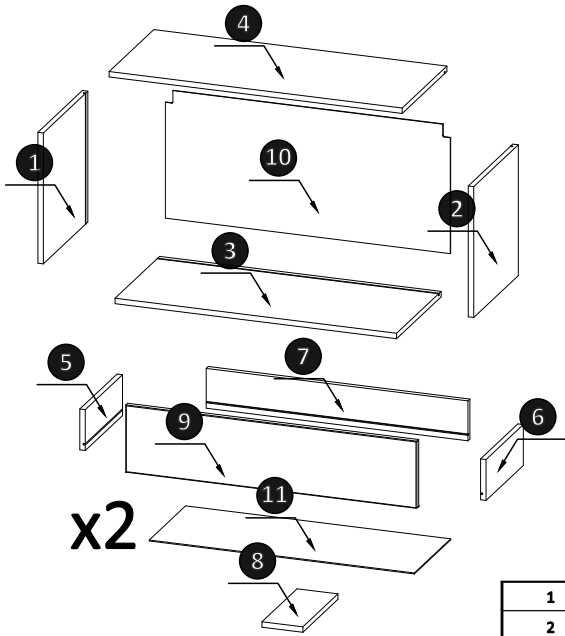
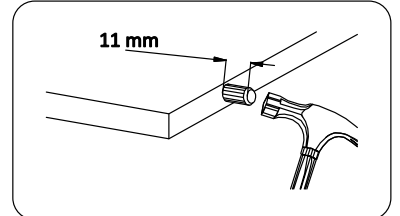


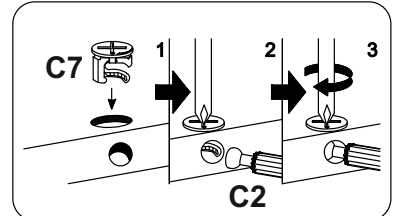
# E9



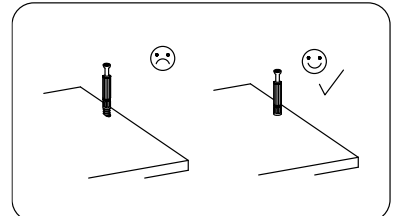
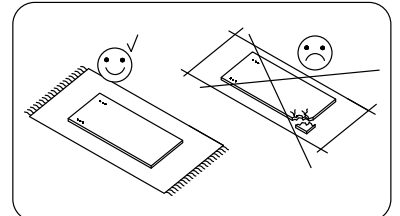
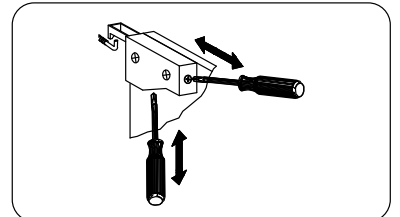
1	1	368	359	16
2	1	368	359	16
3	1	860	360	16
4	1	860	360	16
5	2	300	120	16
6	2	300	120	16
7	2	768	117	16
8	2	283	120	16
9	2	854	197	16
10	1	836	377	3
11	2	778	293	3

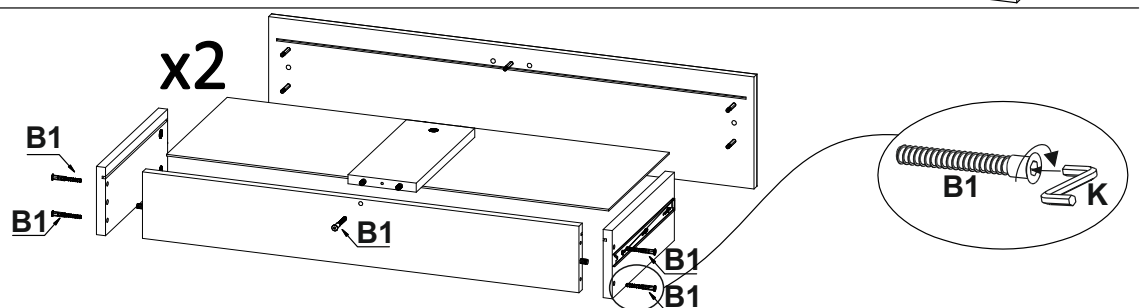
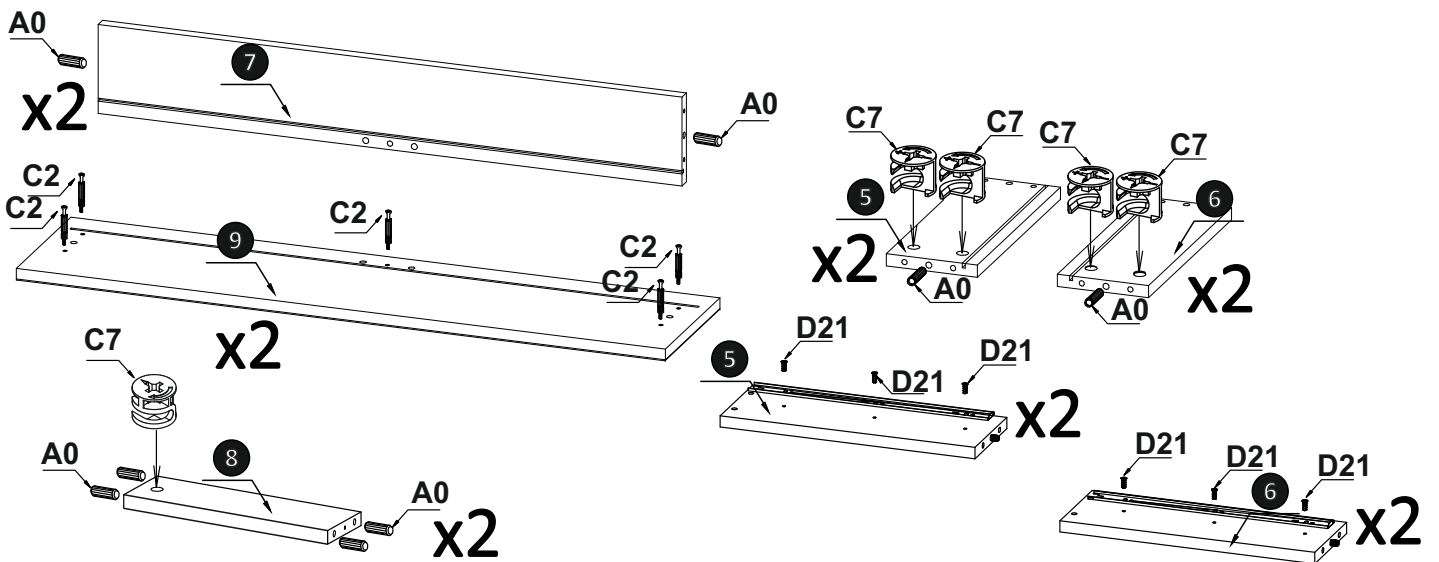
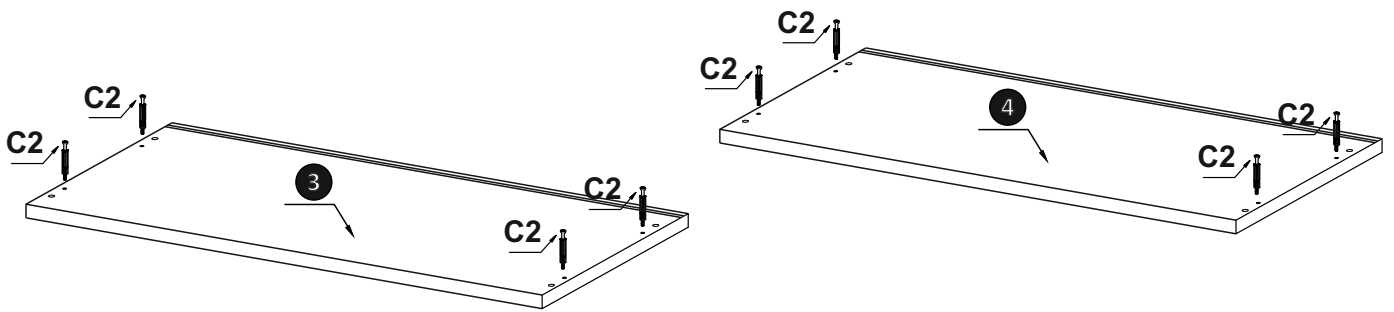
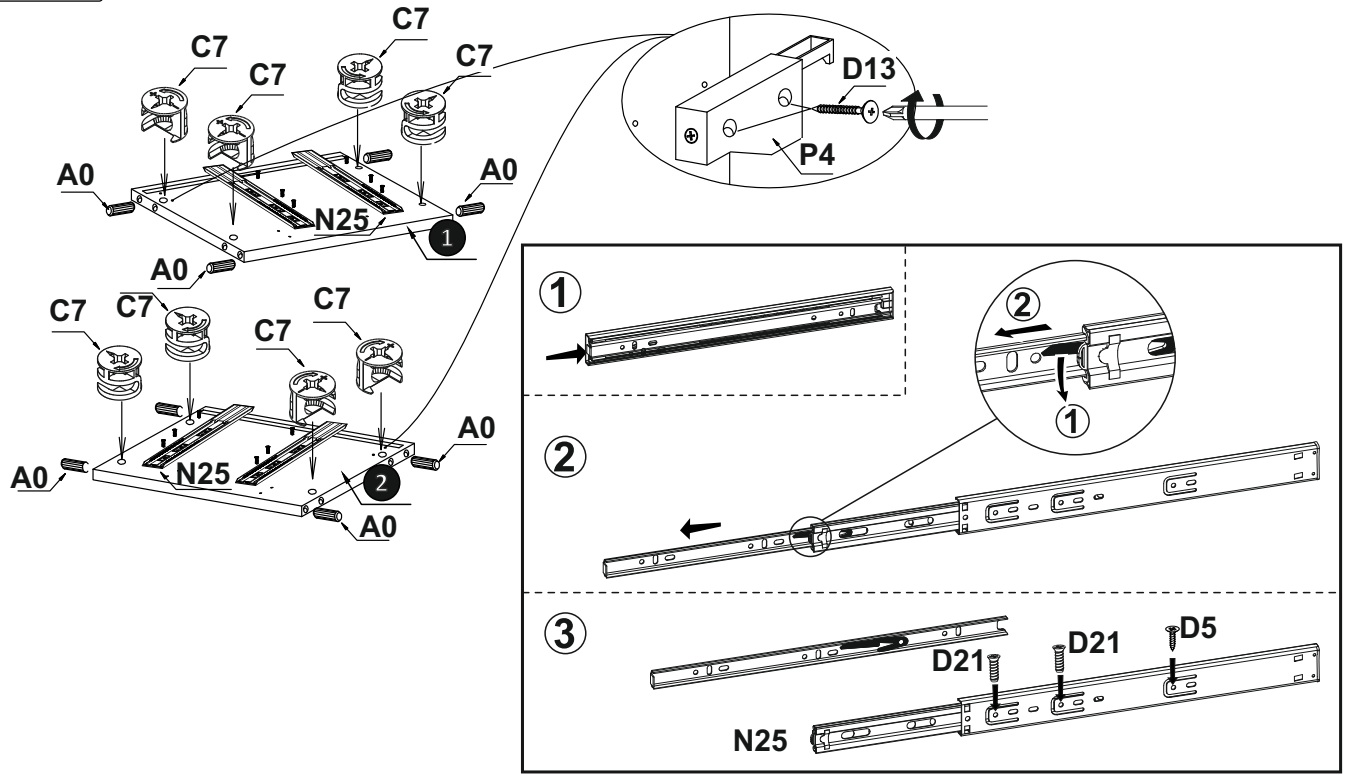


<b>A0</b>  8x30 24	<b>B0</b>  8	<b>B1</b>  7x50 10	<b>C0</b>  18	<b>C2</b>  18	<b>C7</b>  18	<b>D0</b>  3x15 22	<b>D5</b>  3,5x16 8	<b>D13</b>  4x30 4
-----------------------------	--------------------	-----------------------------	---------------------	---------------------	---------------------	-----------------------------	------------------------------	-----------------------------

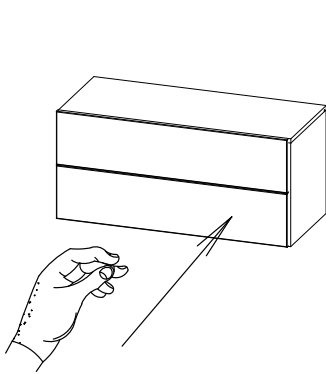
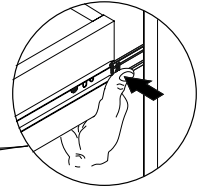
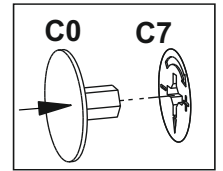
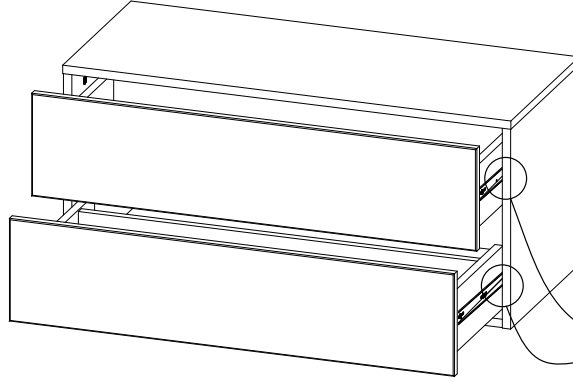
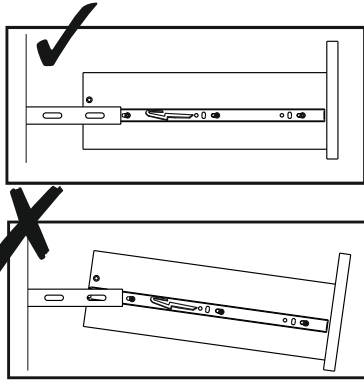
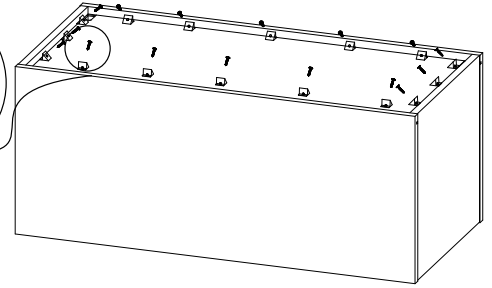
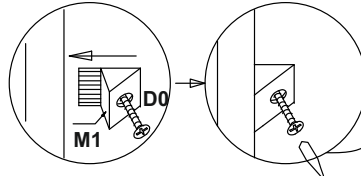
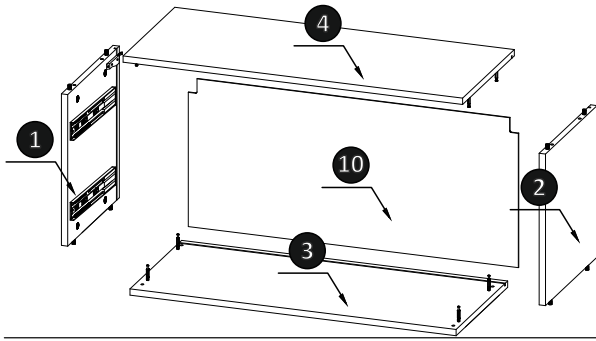
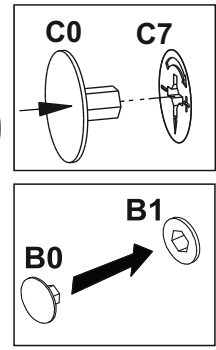
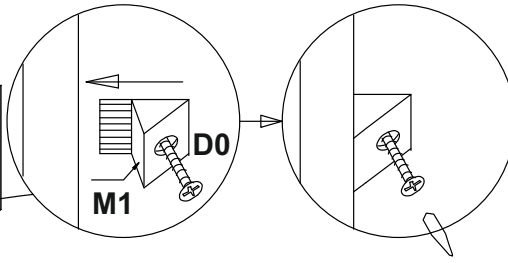
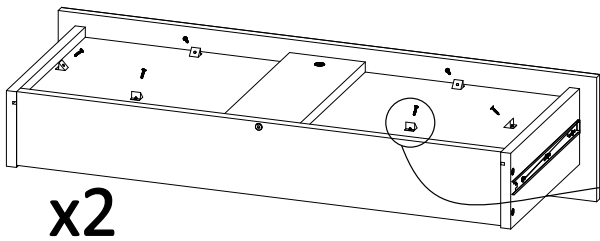


<b>D21</b>  5x13 20	<b>K</b>  4mm 1	<b>M1</b>  22	<b>N25</b>  L-300 2	<b>P4</b>  2
------------------------------	--------------------------	---------------------	------------------------------	--------------------





E9



Push to open

