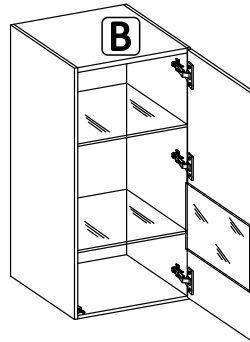
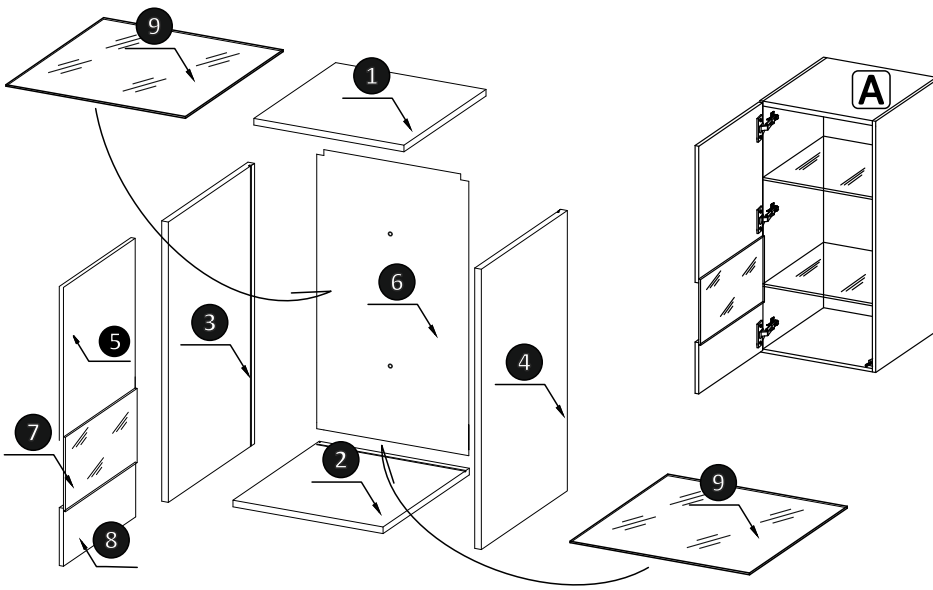
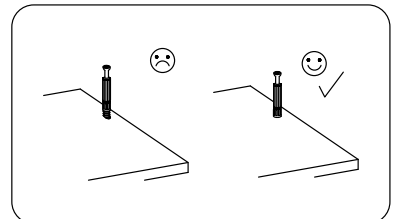
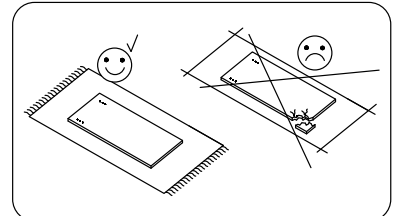
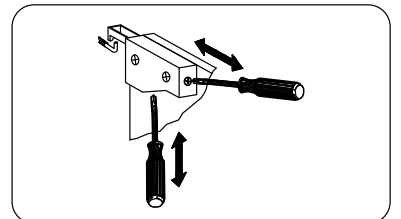
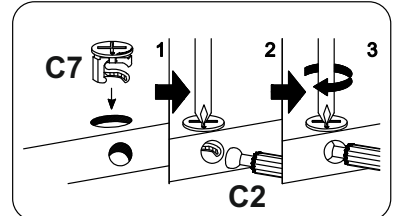
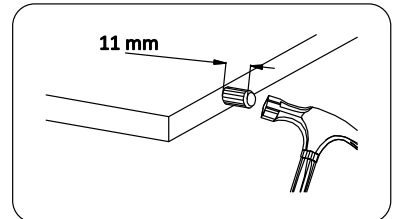
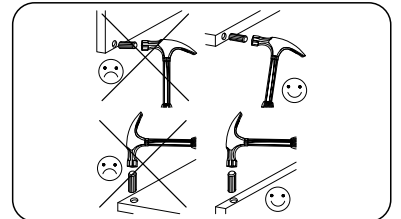
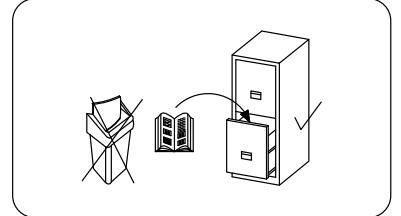
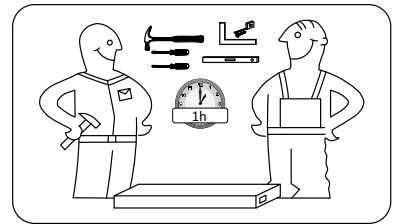


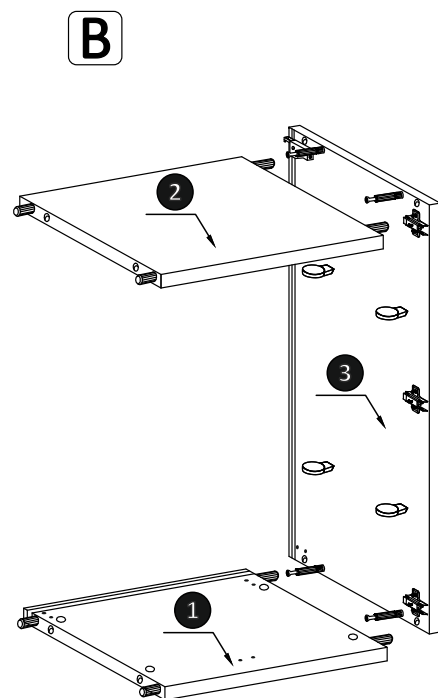
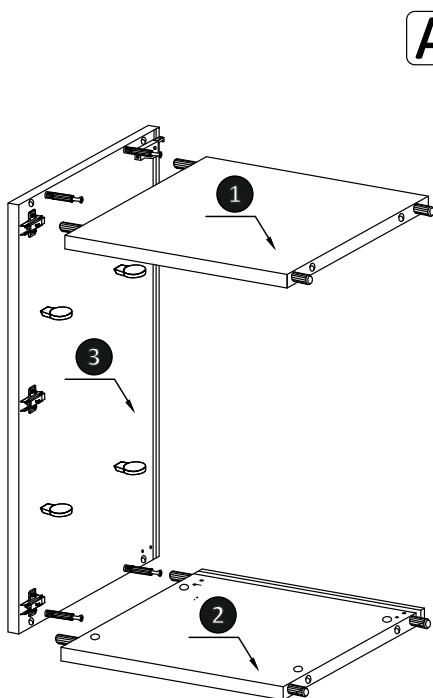
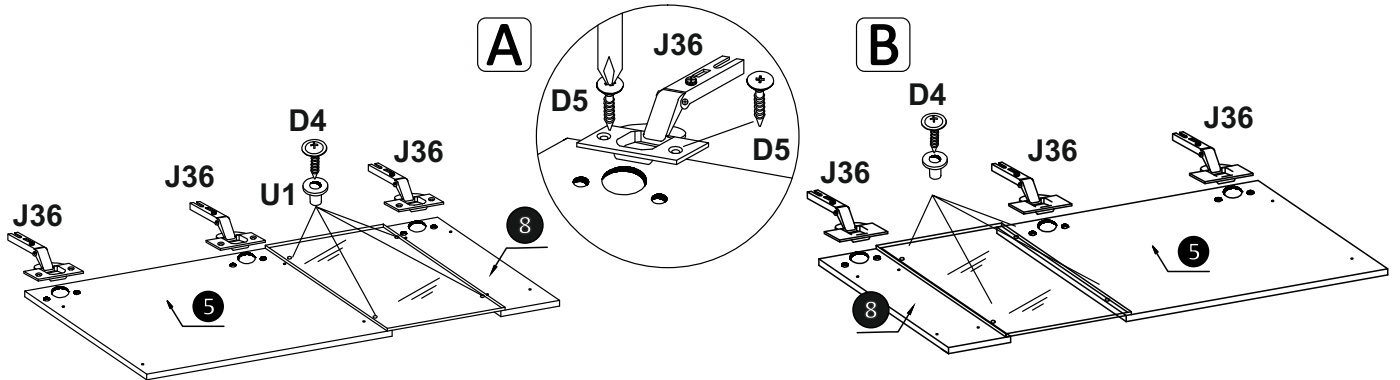
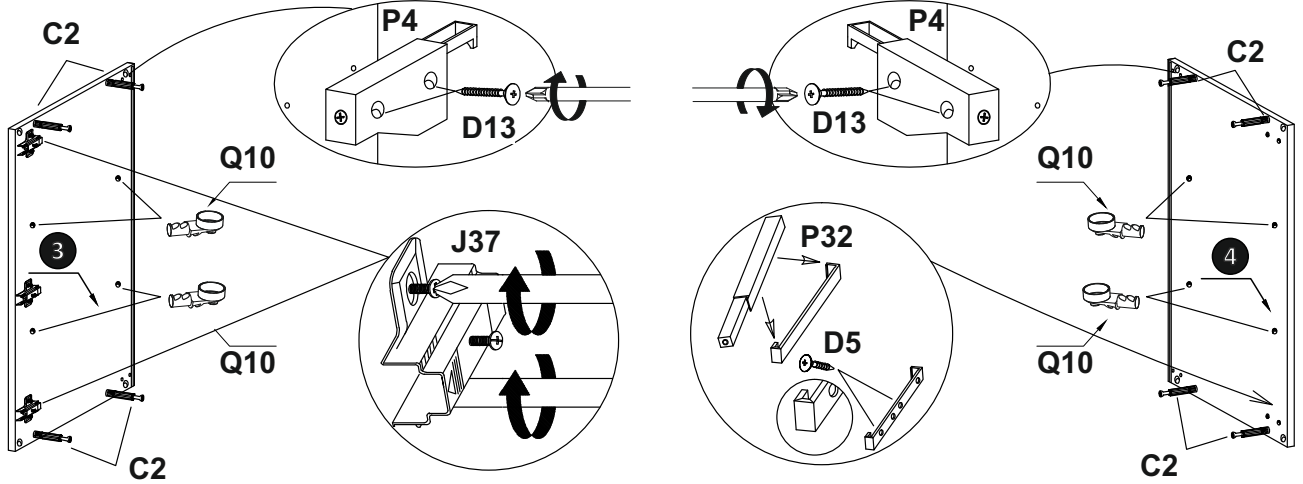
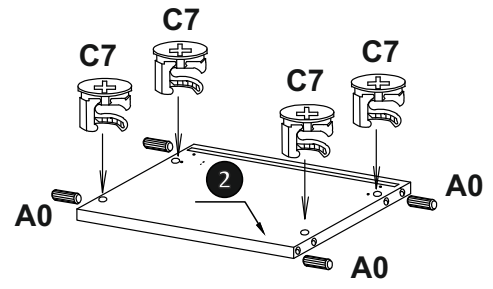
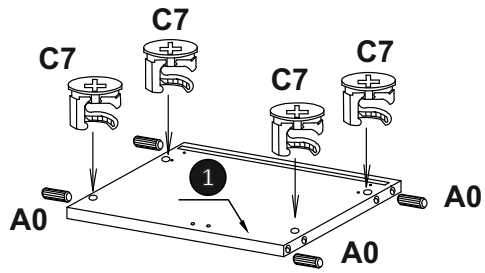
# E6



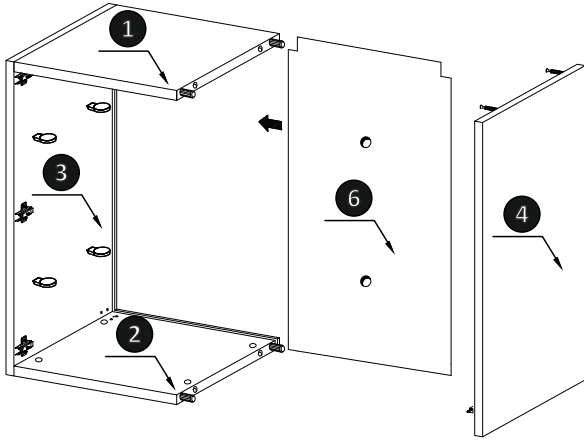
1	1	368	359	16
2	1	368	359	16
3	1	940	360	16
4	1	940	360	16
5	1	565	396	16
6	1	378	916	3
7	1	259	364	4
8	1	160	396	16
9	2	330	364	4

<b>A0</b>  8x30 8	<b>C2</b>  8	<b>C7</b>  8	<b>D5</b>  3,5x16 8	<b>P4</b>  2	<b>D13</b>  4x30 4	<b>J37</b>  3	<b>J36</b>  3	<b>M1</b>  6
<b>P32</b>  1	<b>D0</b>  3x15 6	<b>C0</b>  8	<b>Q10</b>  A B 8	<b>D4</b>  3.5x17 4	<b>U1</b>  4			

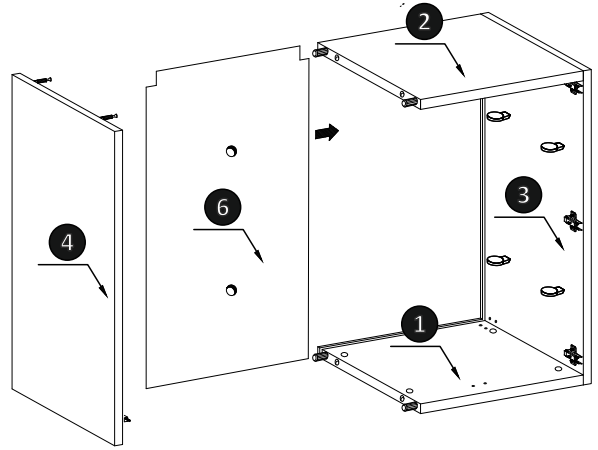




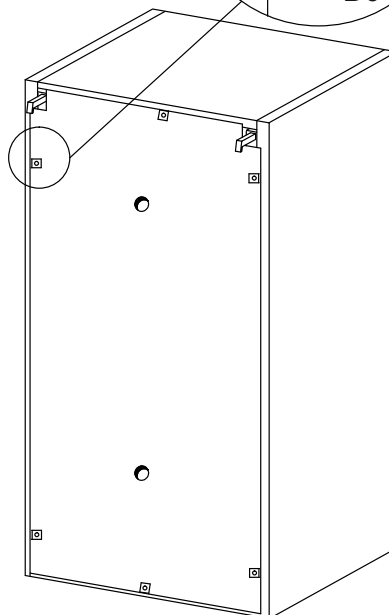
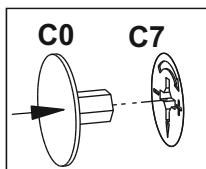
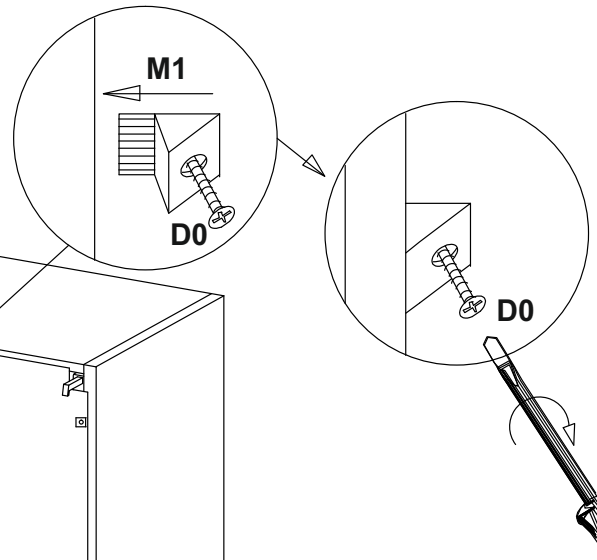
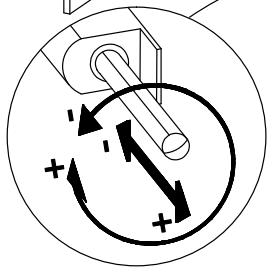
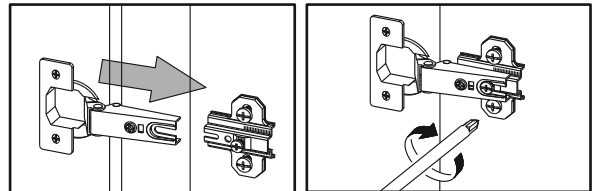
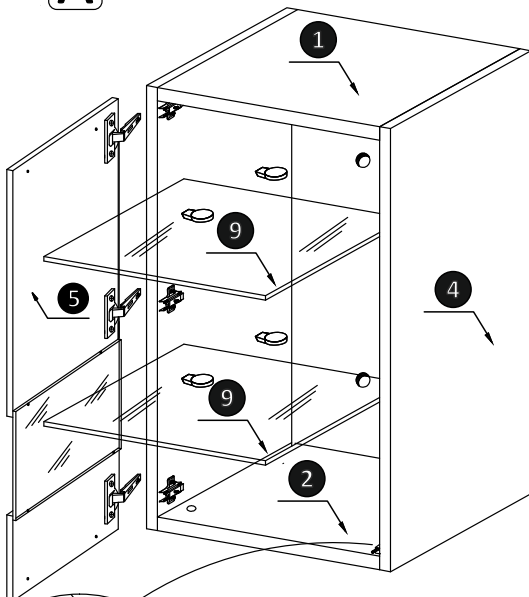
**A**



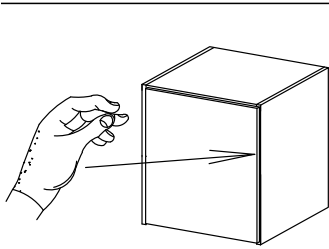
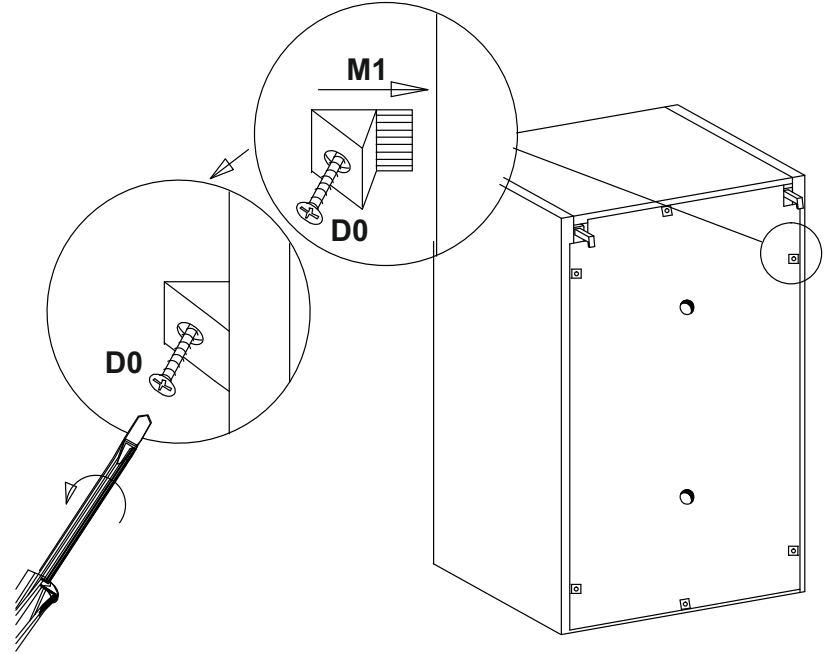
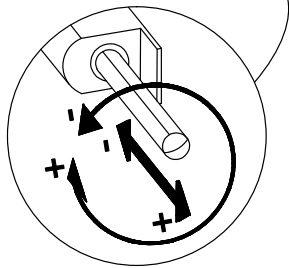
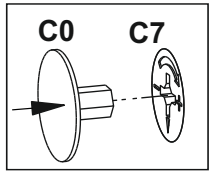
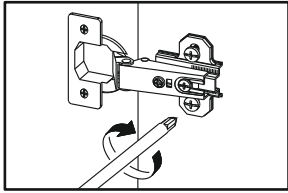
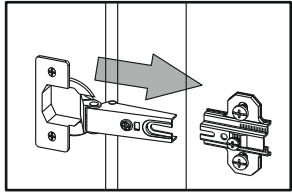
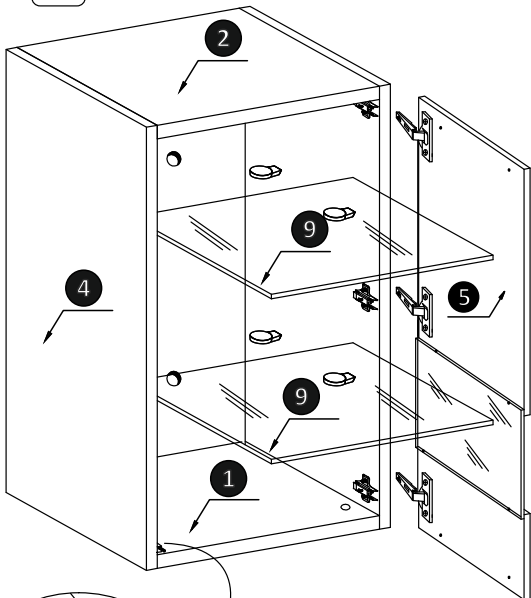
**B**



**A**



B



Push to open

