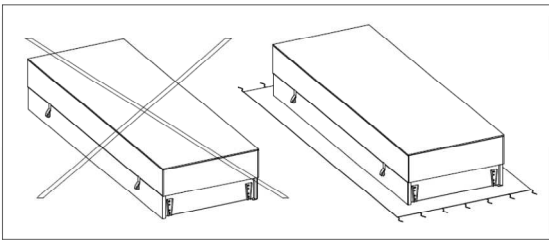
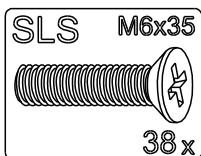
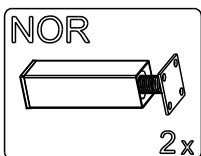
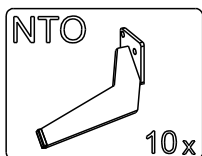
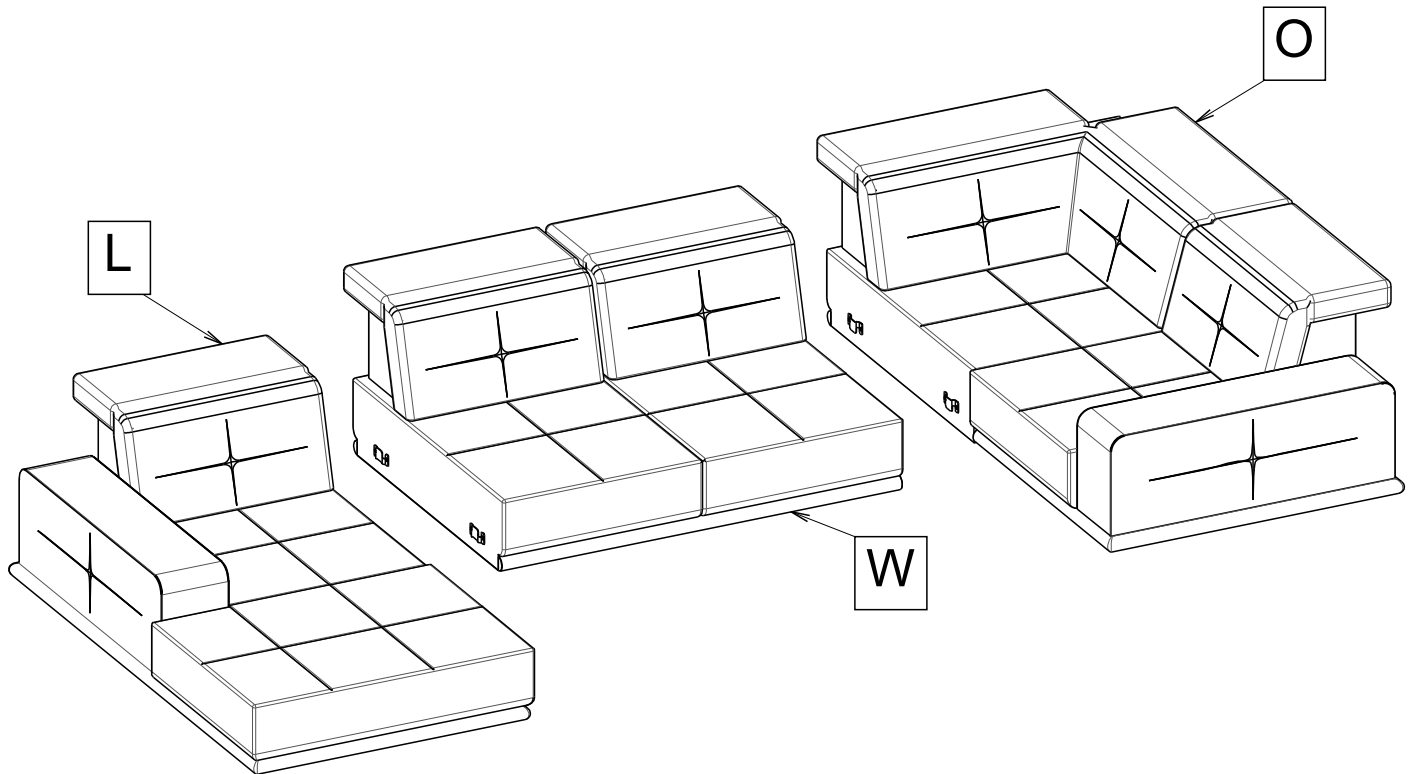
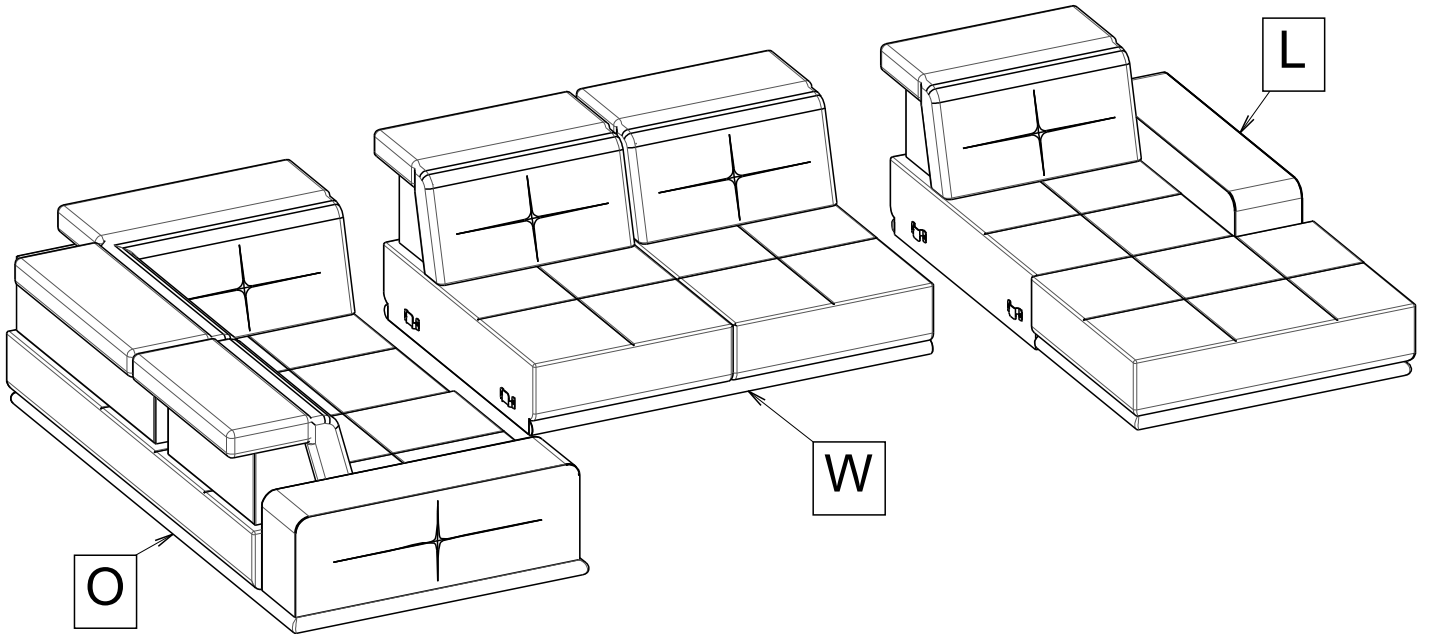


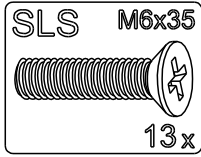
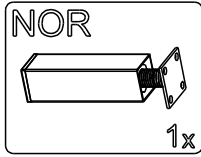
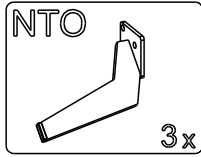
40min



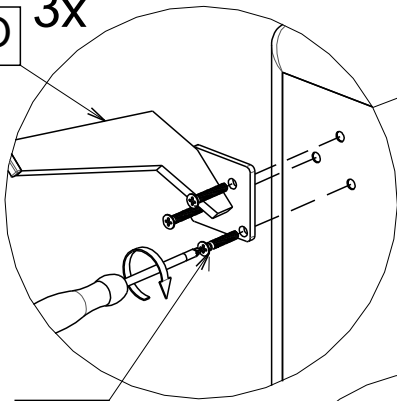
|   |    |
|---|----|
| O | 1x |
| W | 1x |
| L | 1x |



1

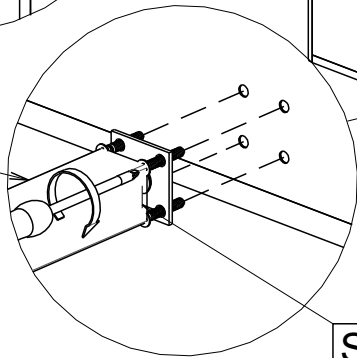


NTO 3x

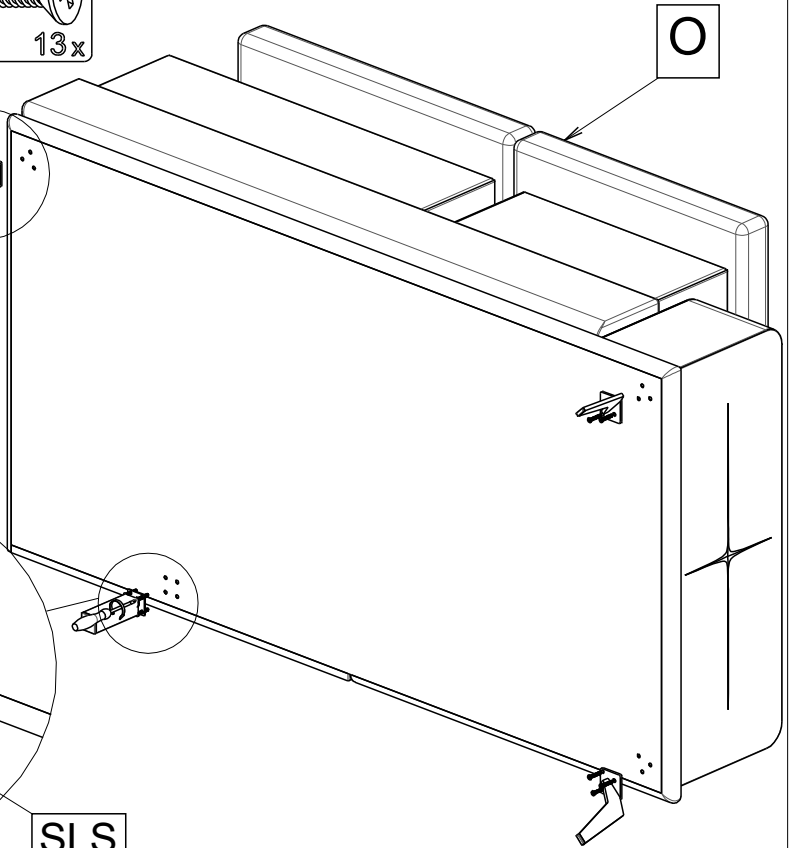


SLS

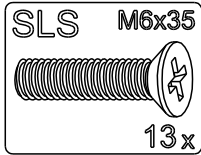
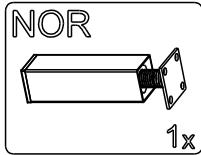
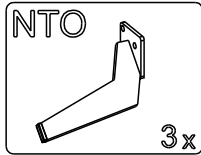
NOR



SLS



2



L

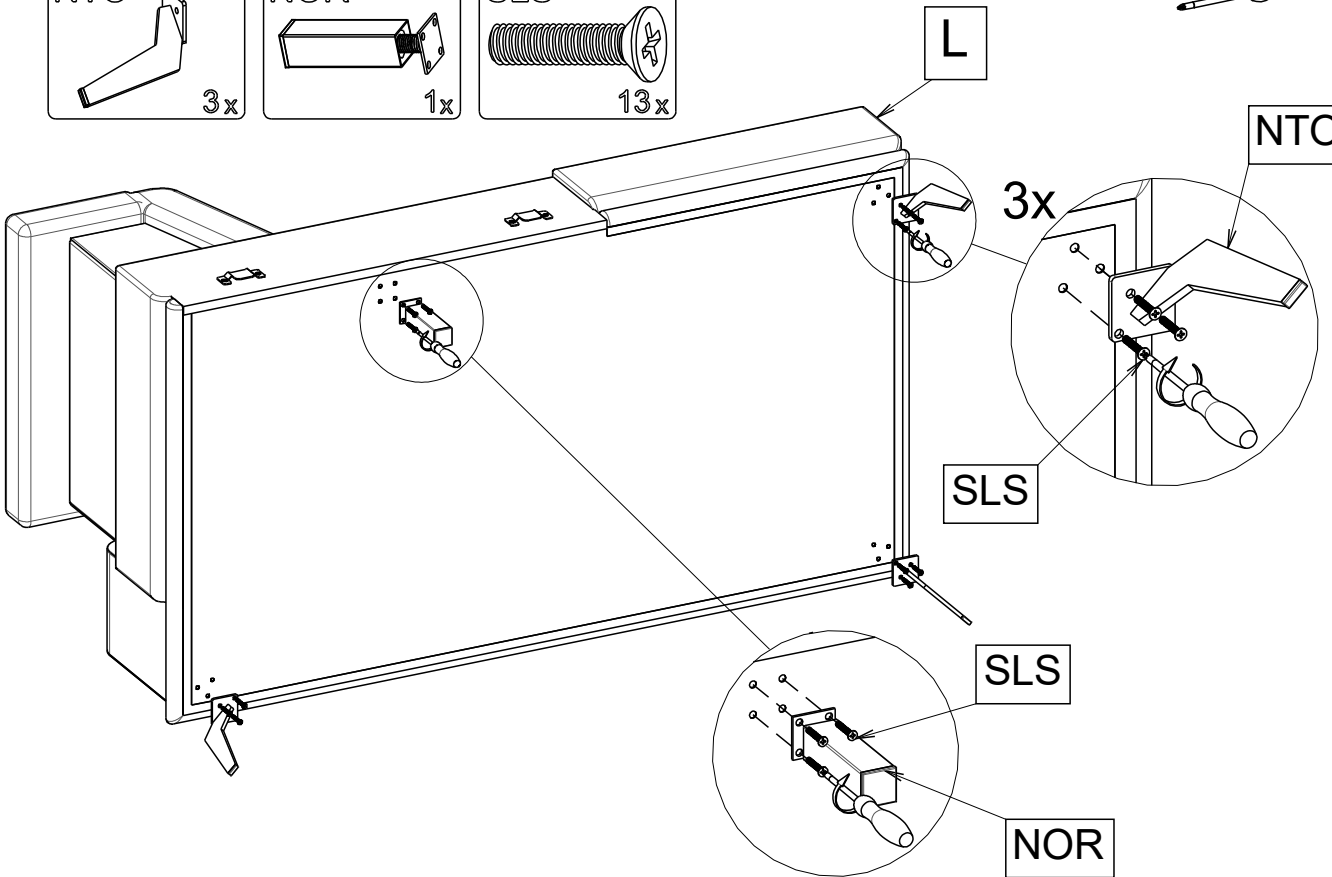
NTO

3x

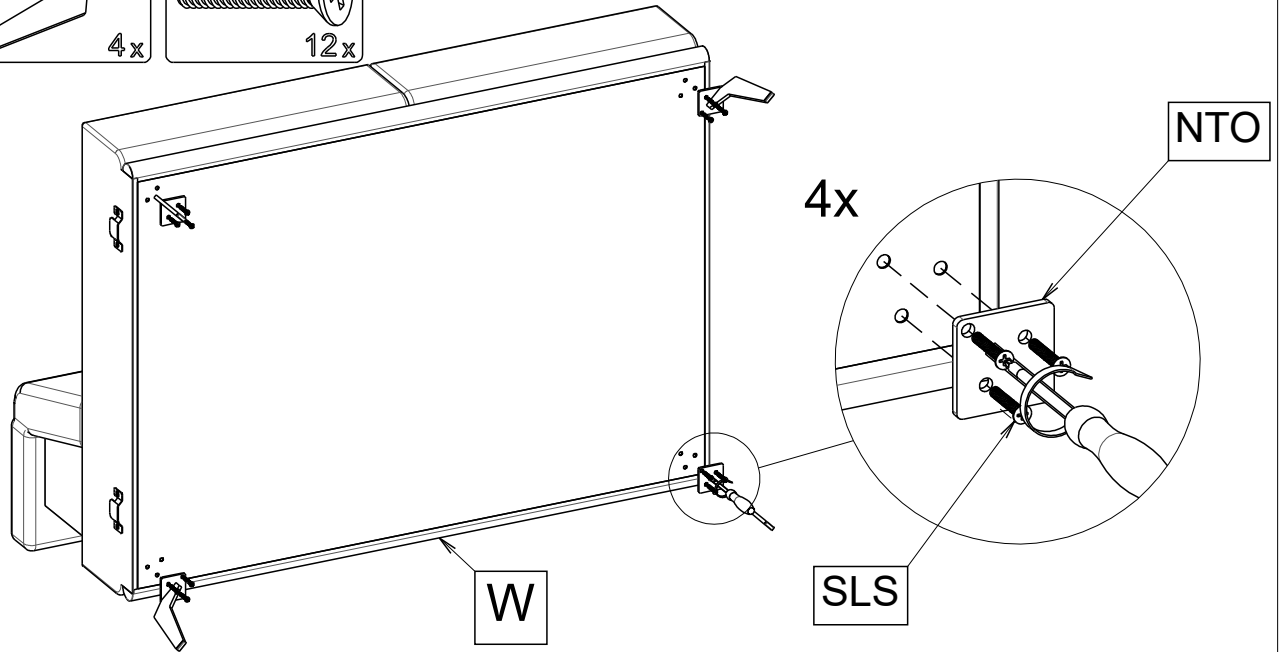
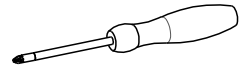
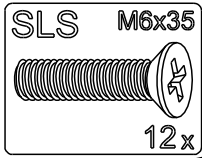
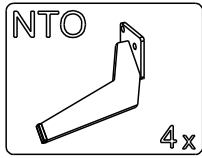
SLS

SLS

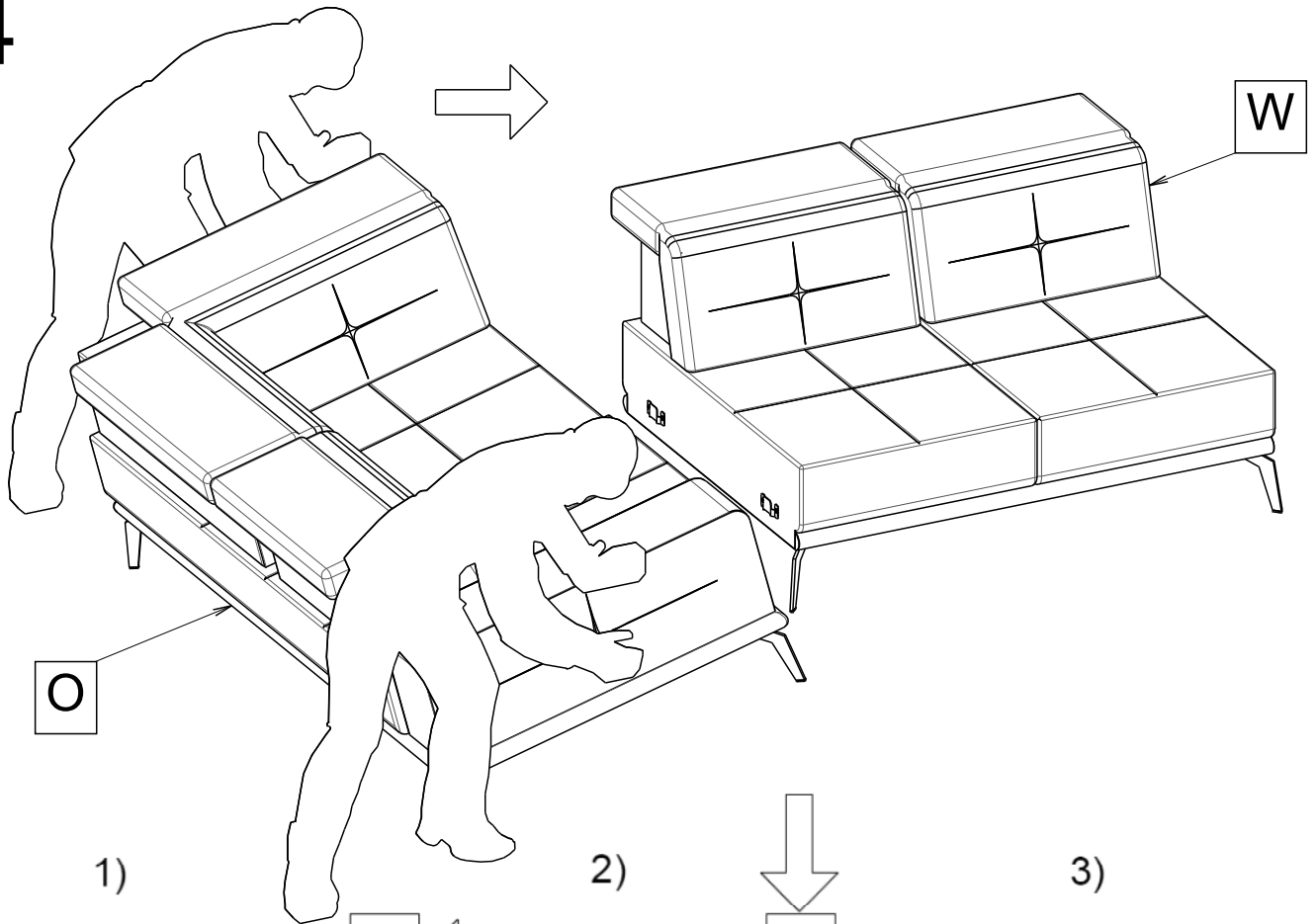
NOR



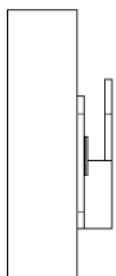
3



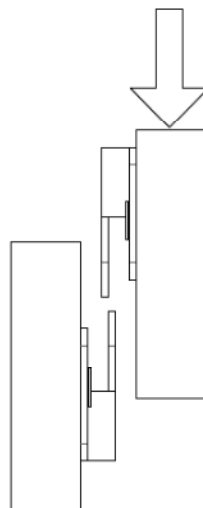
4



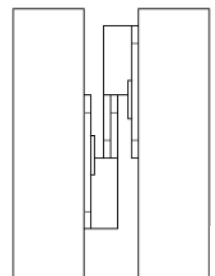
1)



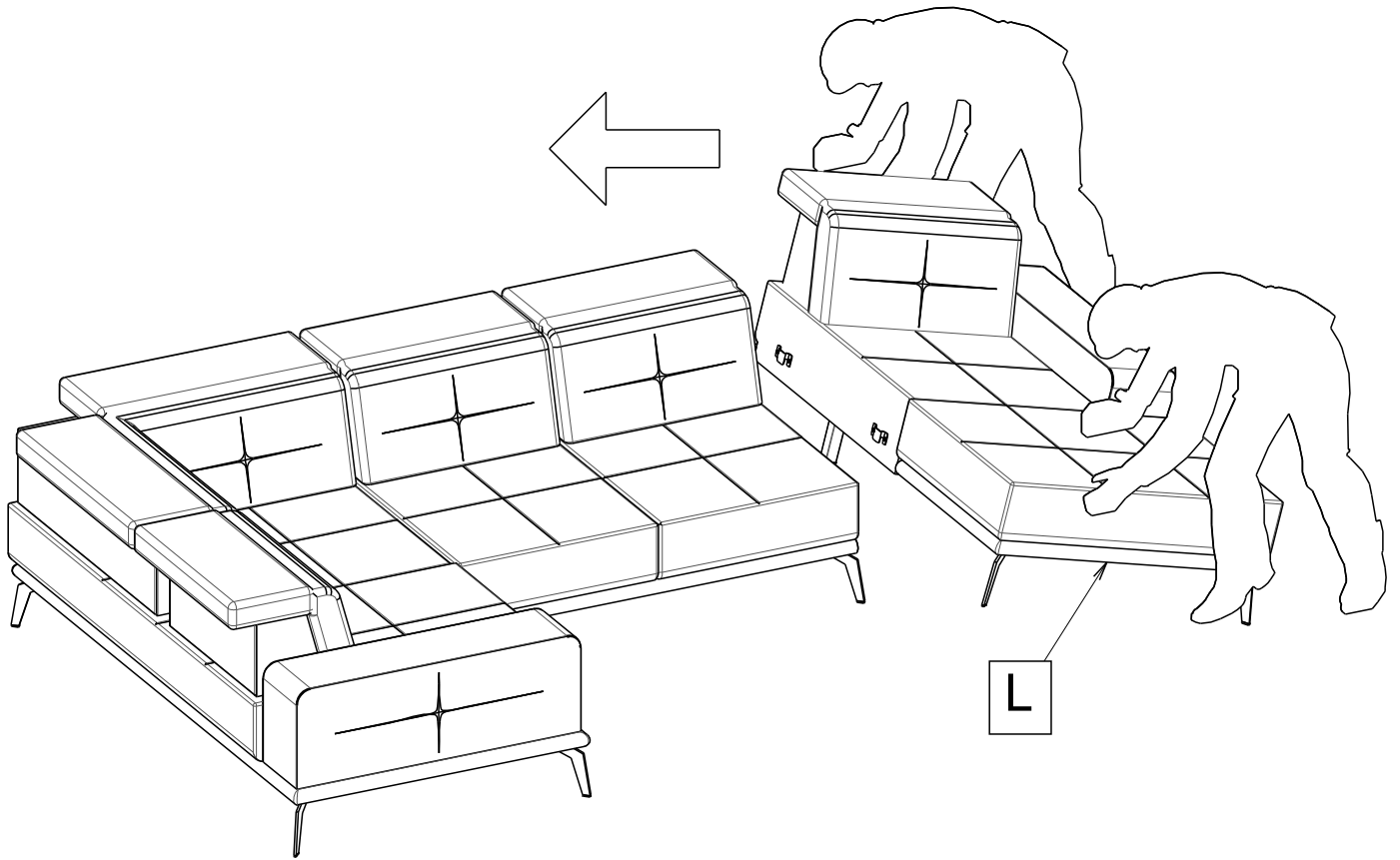
2)



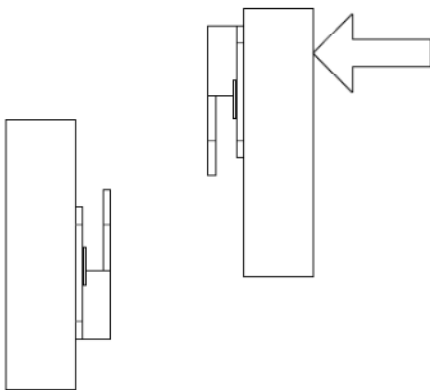
3)



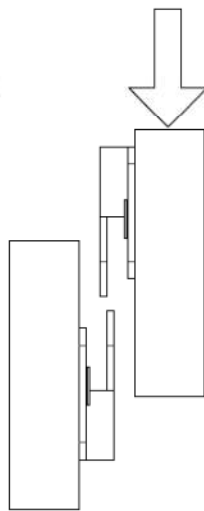
5



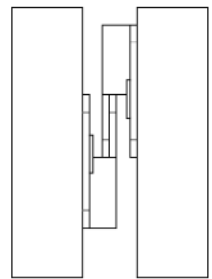
1)



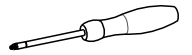
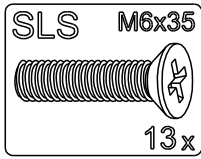
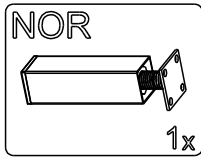
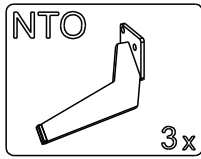
2)



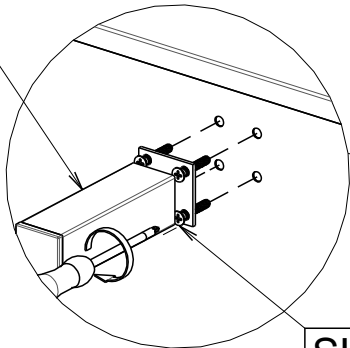
3)



1



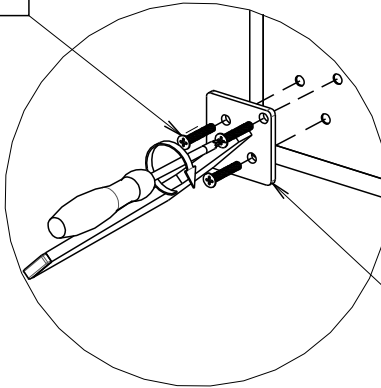
NOR



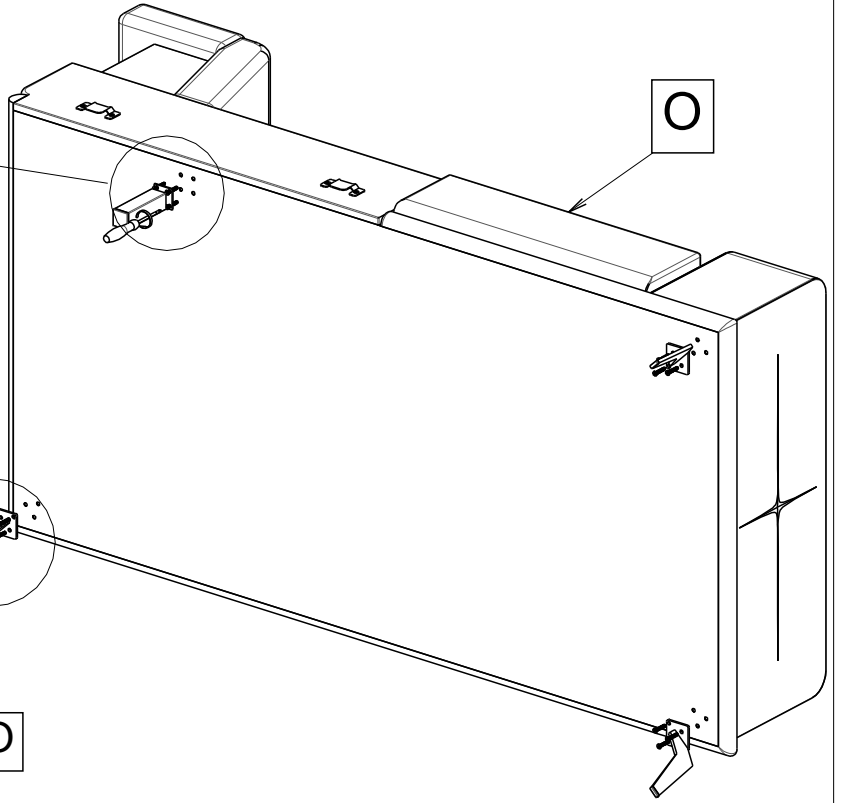
SLS

SLS

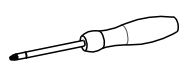
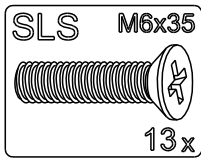
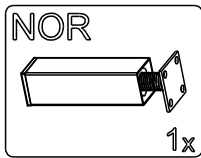
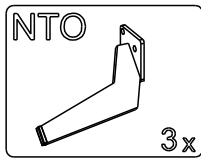
3x



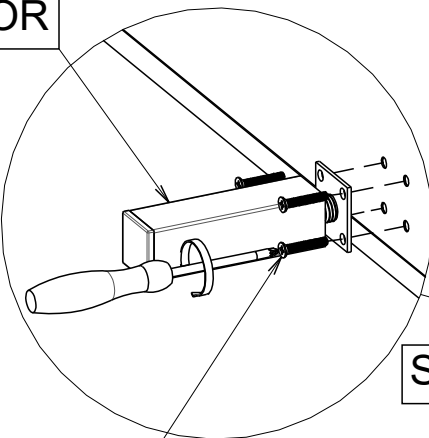
NTO



2



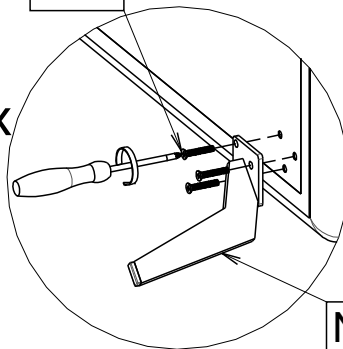
NOR



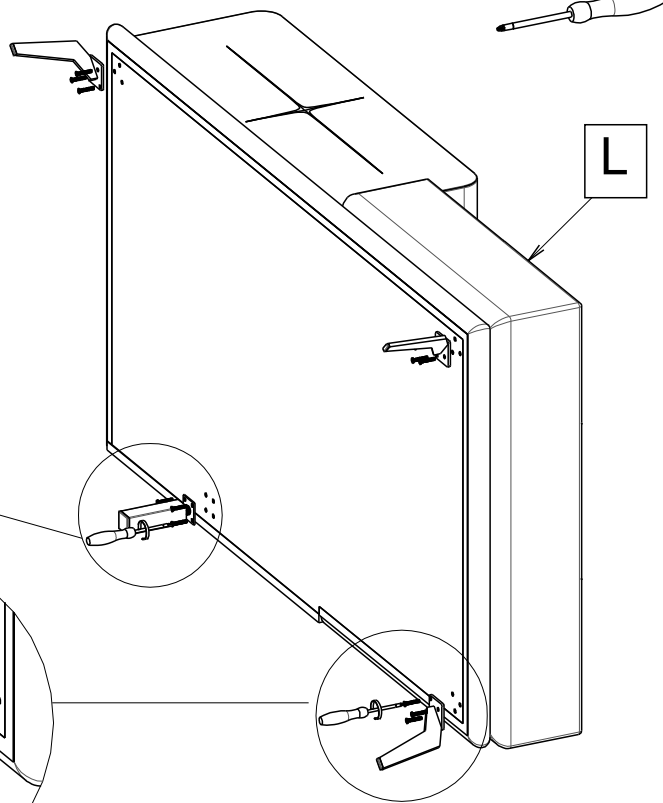
SLS

SLS

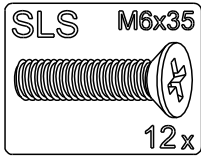
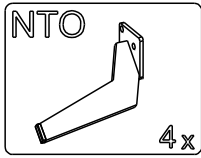
3x



NTO

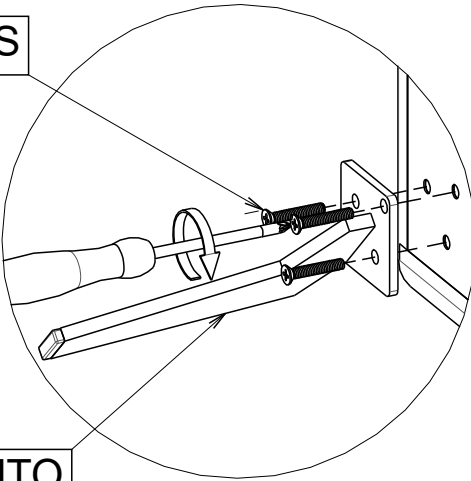


3

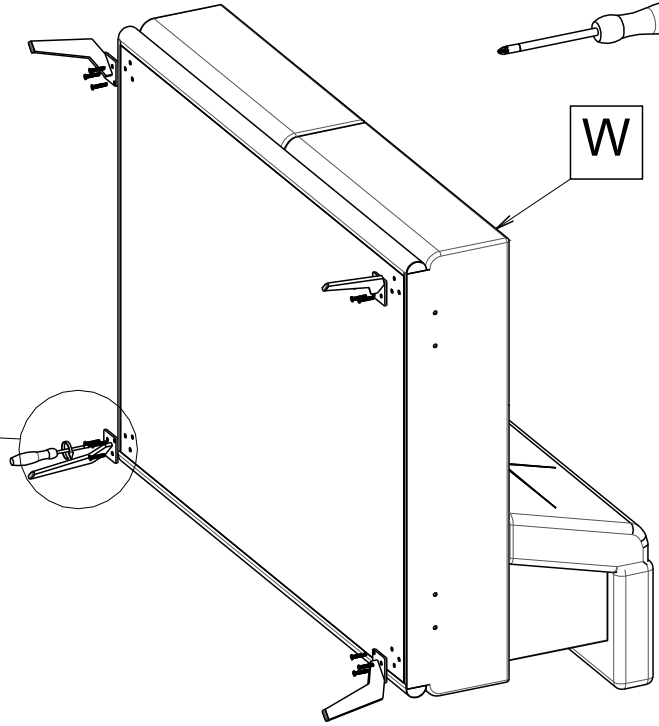


SLS

4x



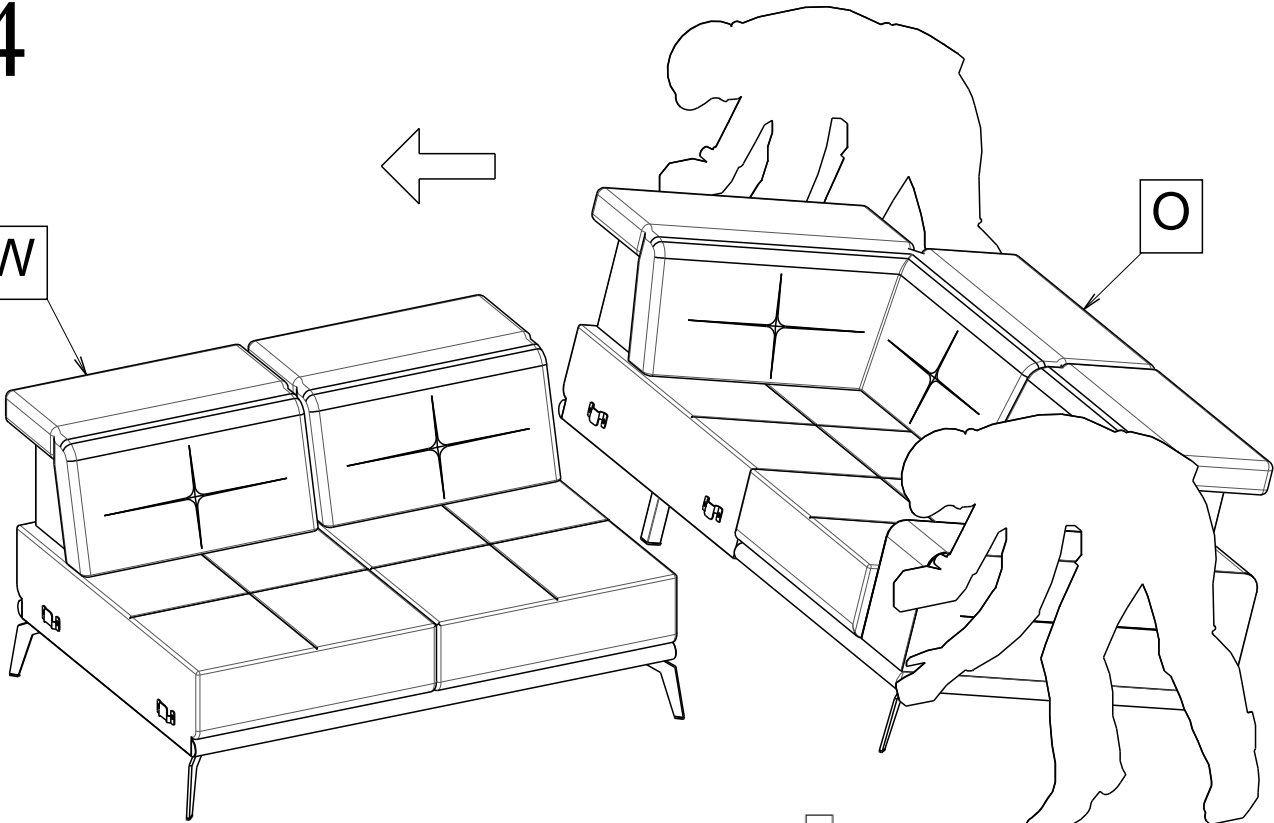
NTO



W

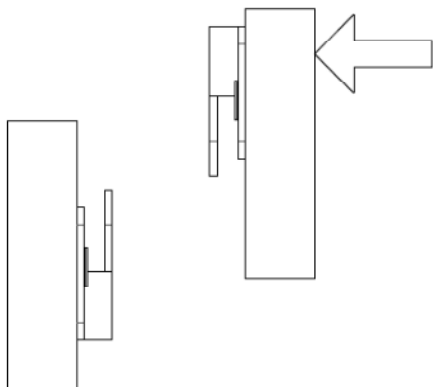
4

W

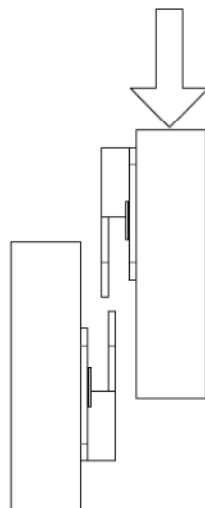


O

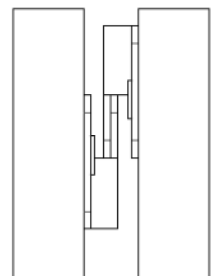
1)



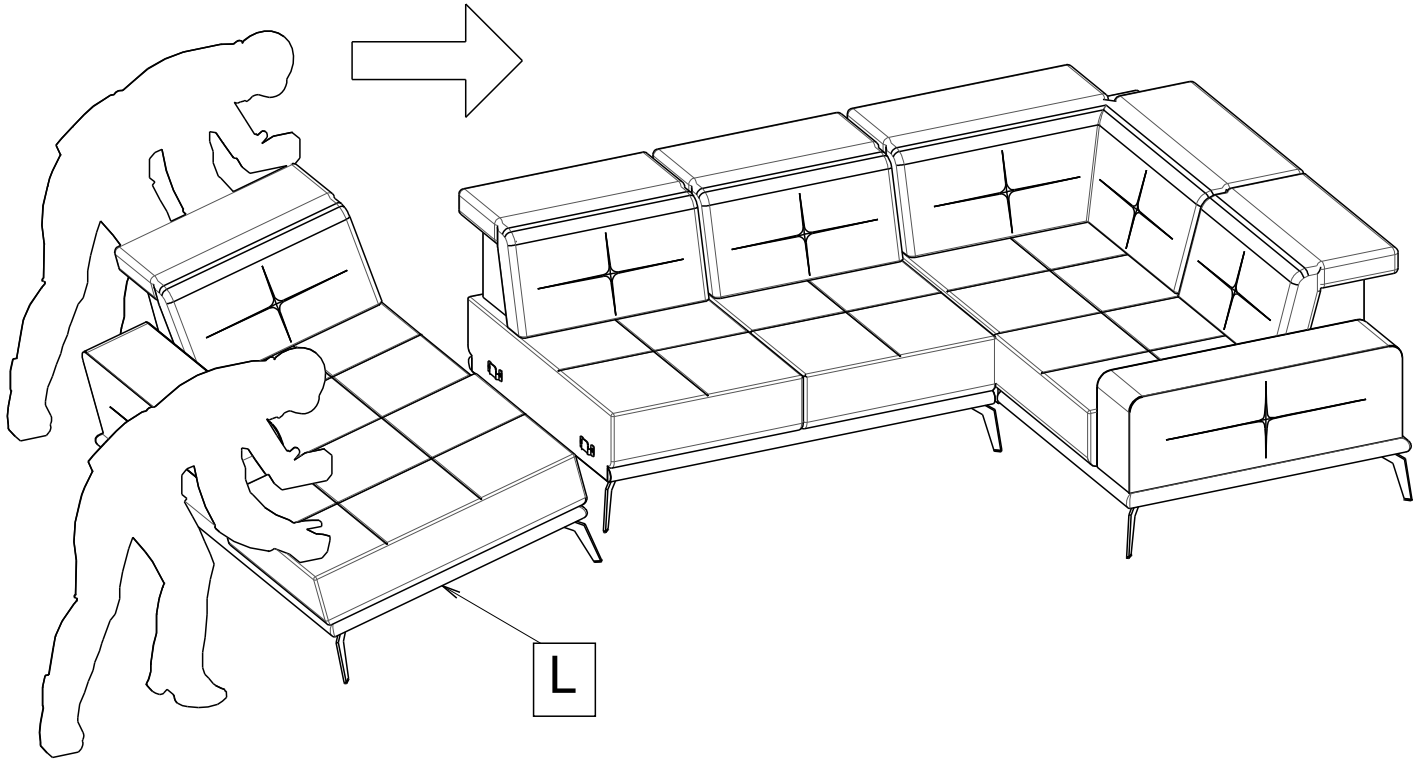
2)



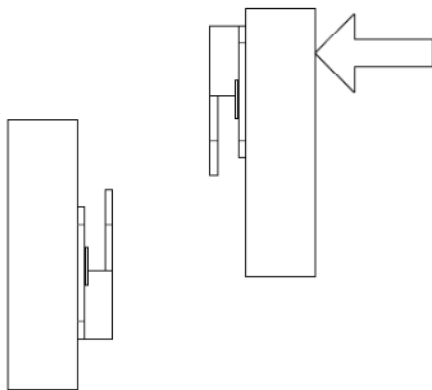
3)



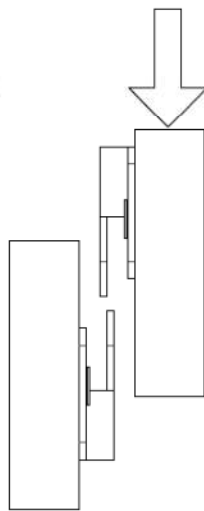
5



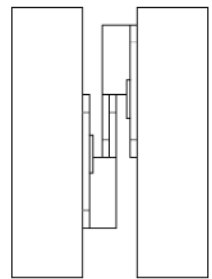
1)



2)

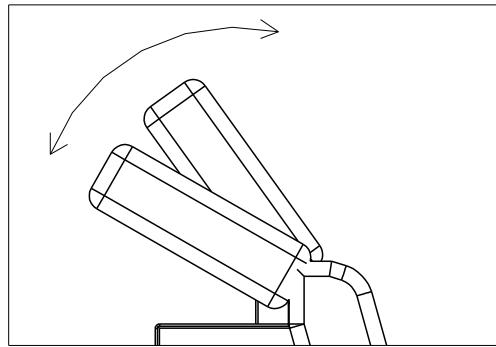
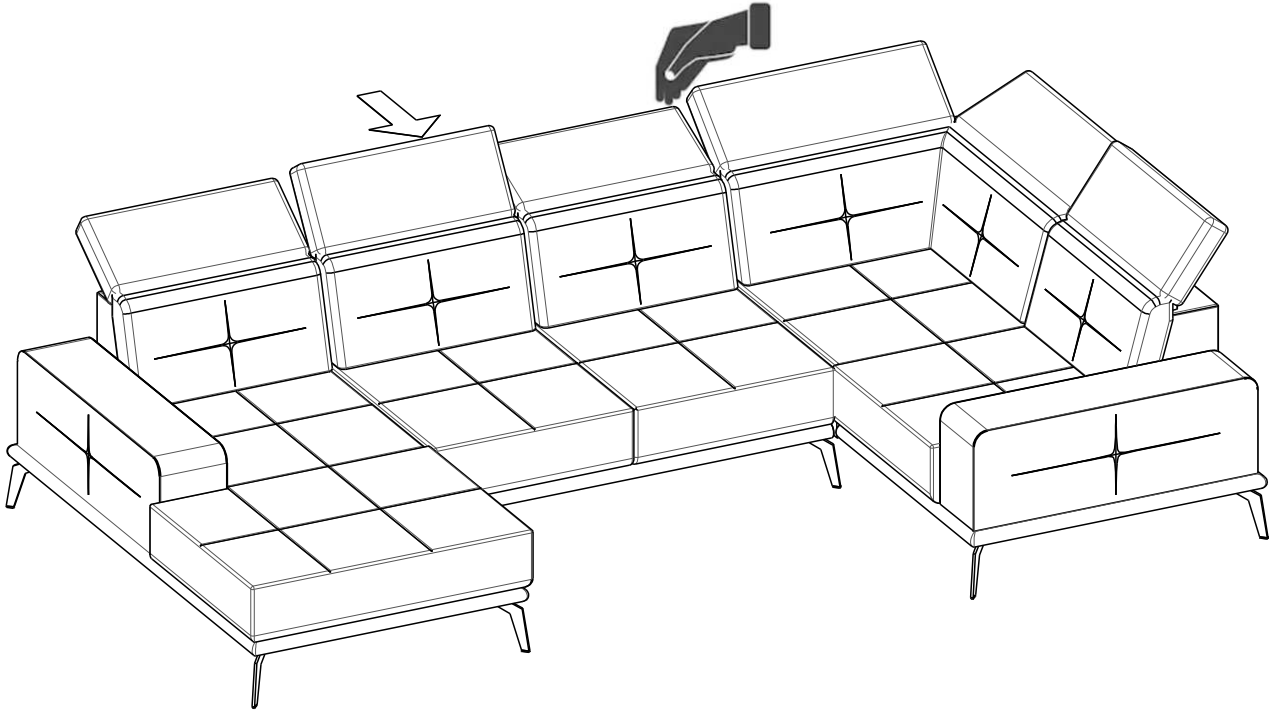


3)

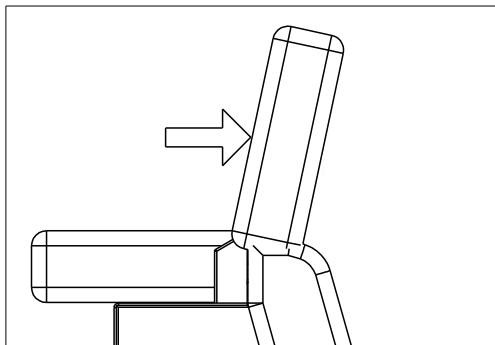




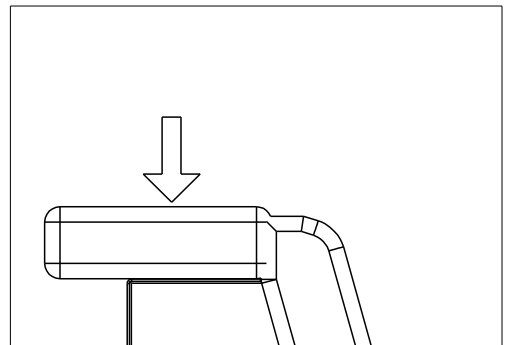
A



1



2



# B

