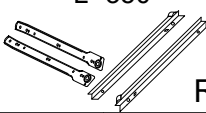

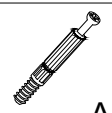

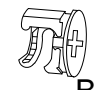

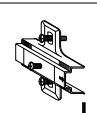

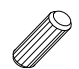
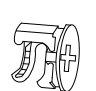







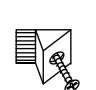

I-III

 L-350 R	 6.3x13 F2	 A	 8.0x30 D	 B	 S	 L	 PS
3	12	4	12	12	4	2	1







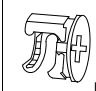

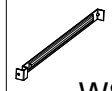
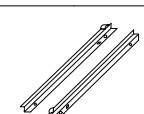

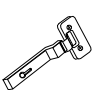
IV-V

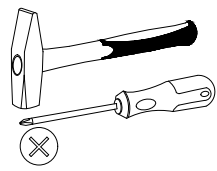
 8.0x30 D	 B	 A	 PS
4	4	6	3

VI-XI

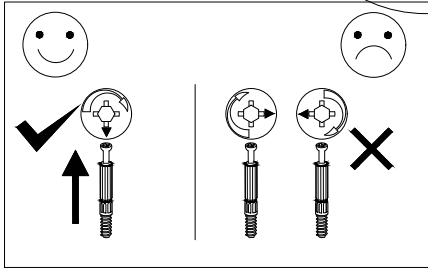
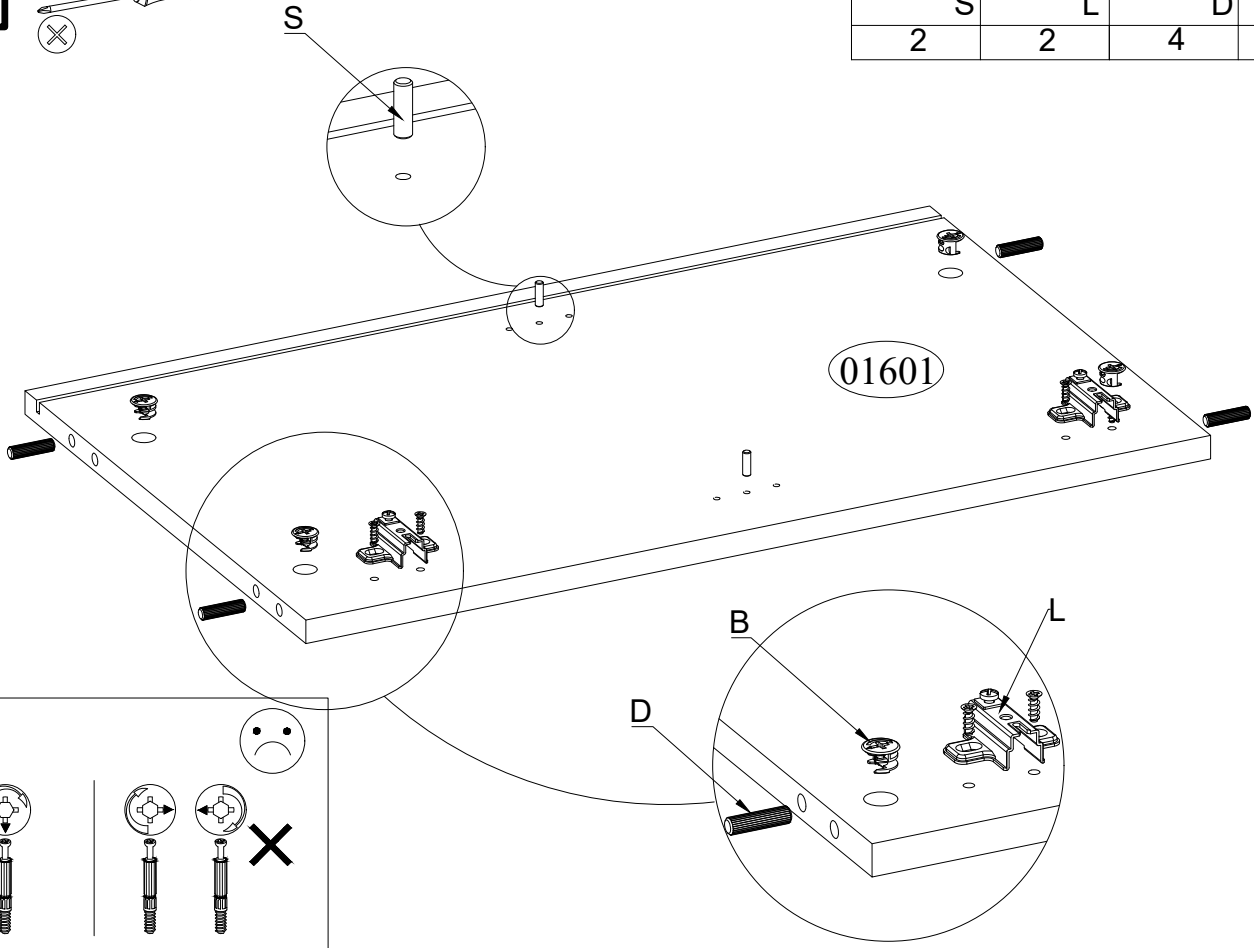
 A	 M	 4.0x25 G1	 I	 X
6	6	12	14	16

XII-XIV

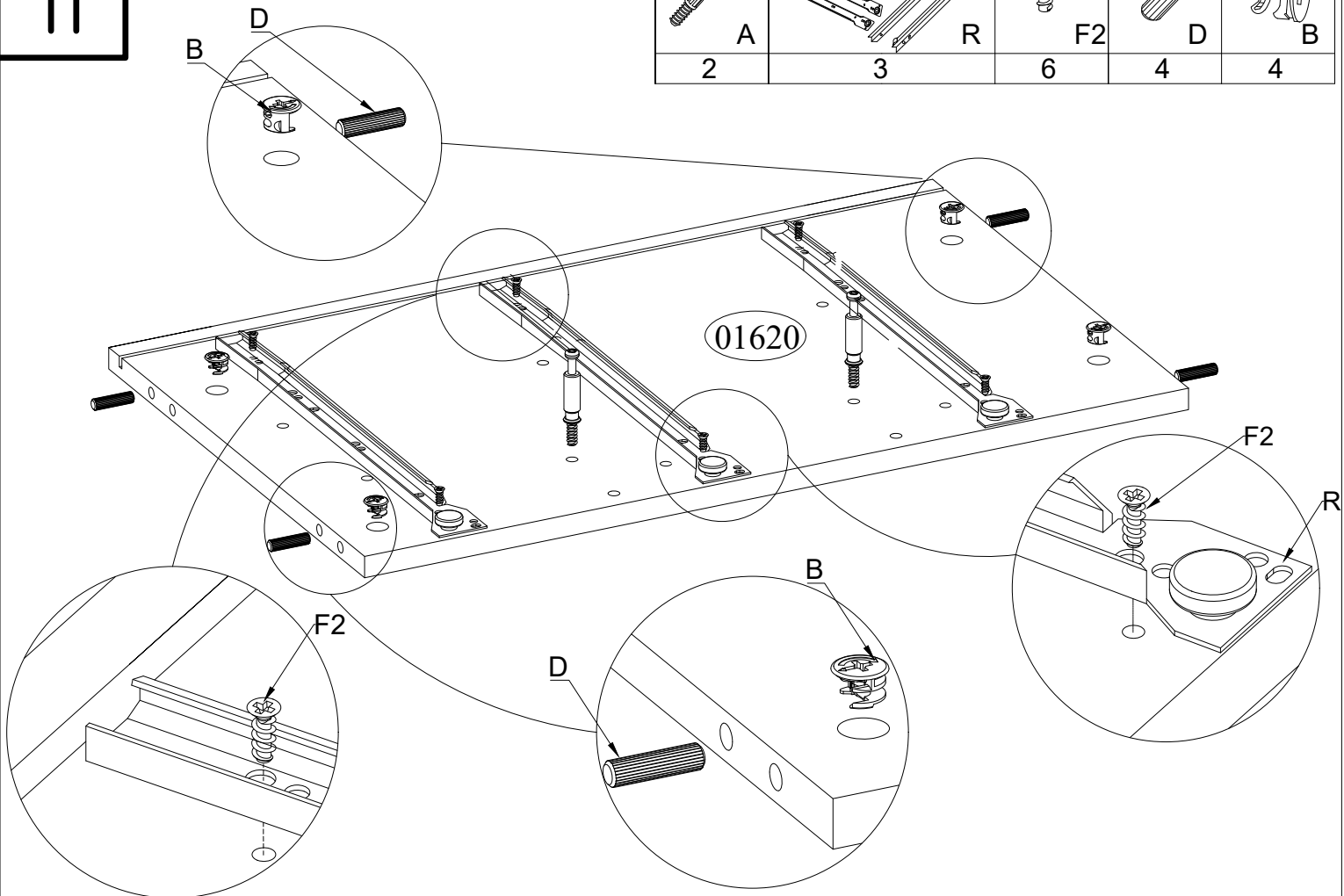
 5.0x70 O	 Q	 A	 3.0x20 H1	 3.0x13 H4	 X	 B	 8.0x30 D	 WS	 R
12	1	6	12	6	6	6	12	3	3
 6.3X13 F2	 Z								
8	4								

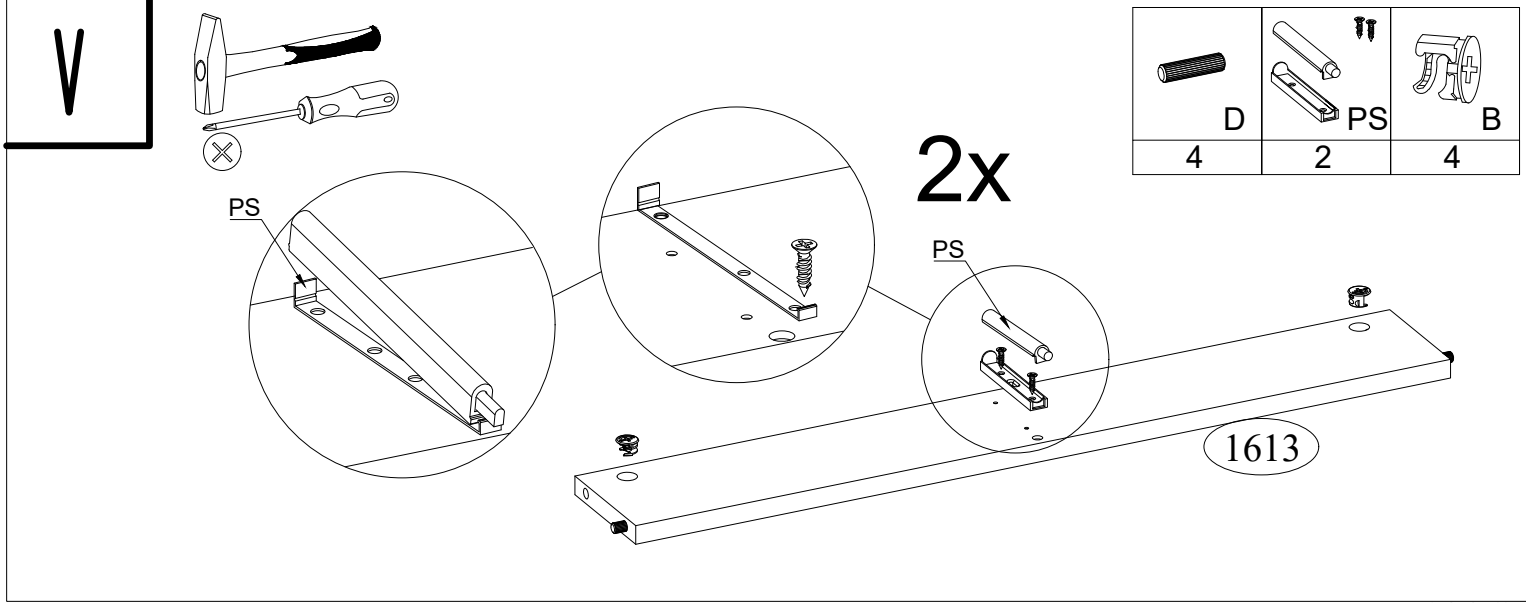
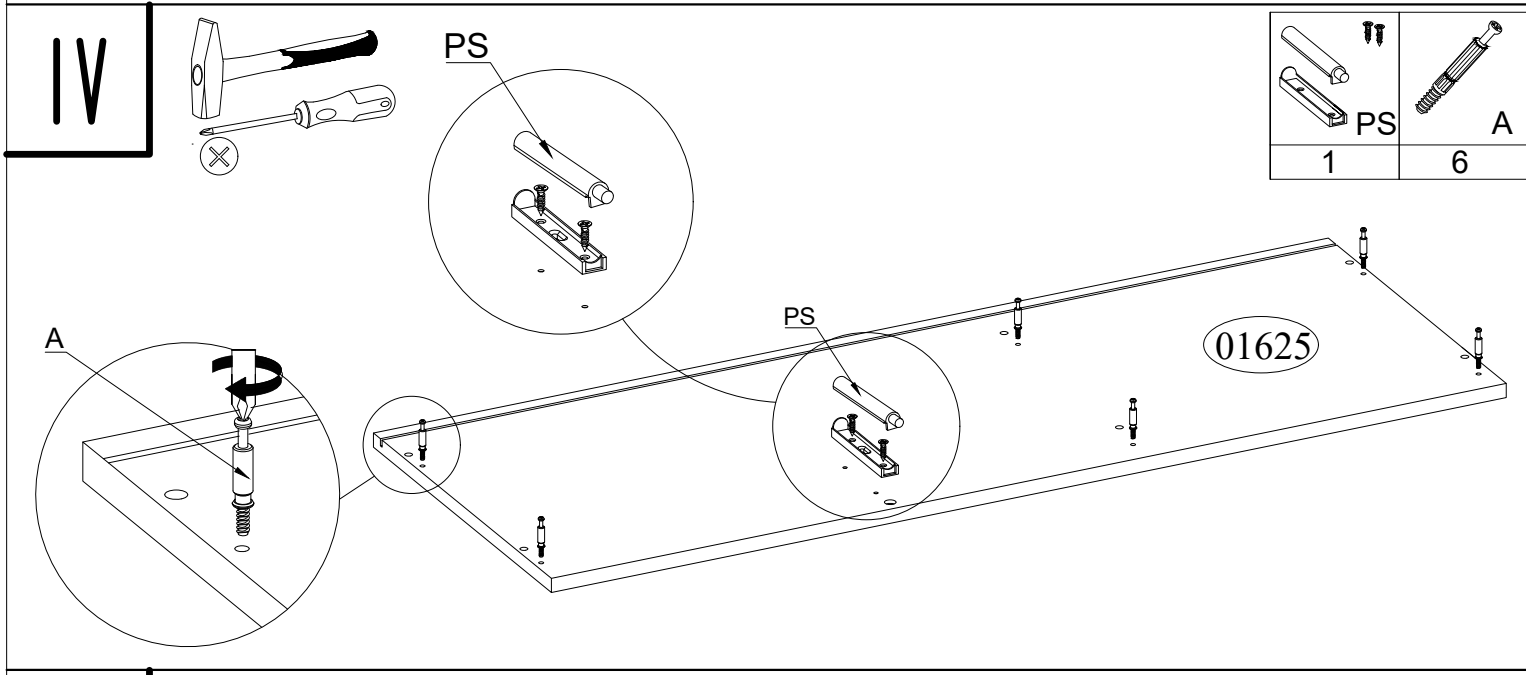
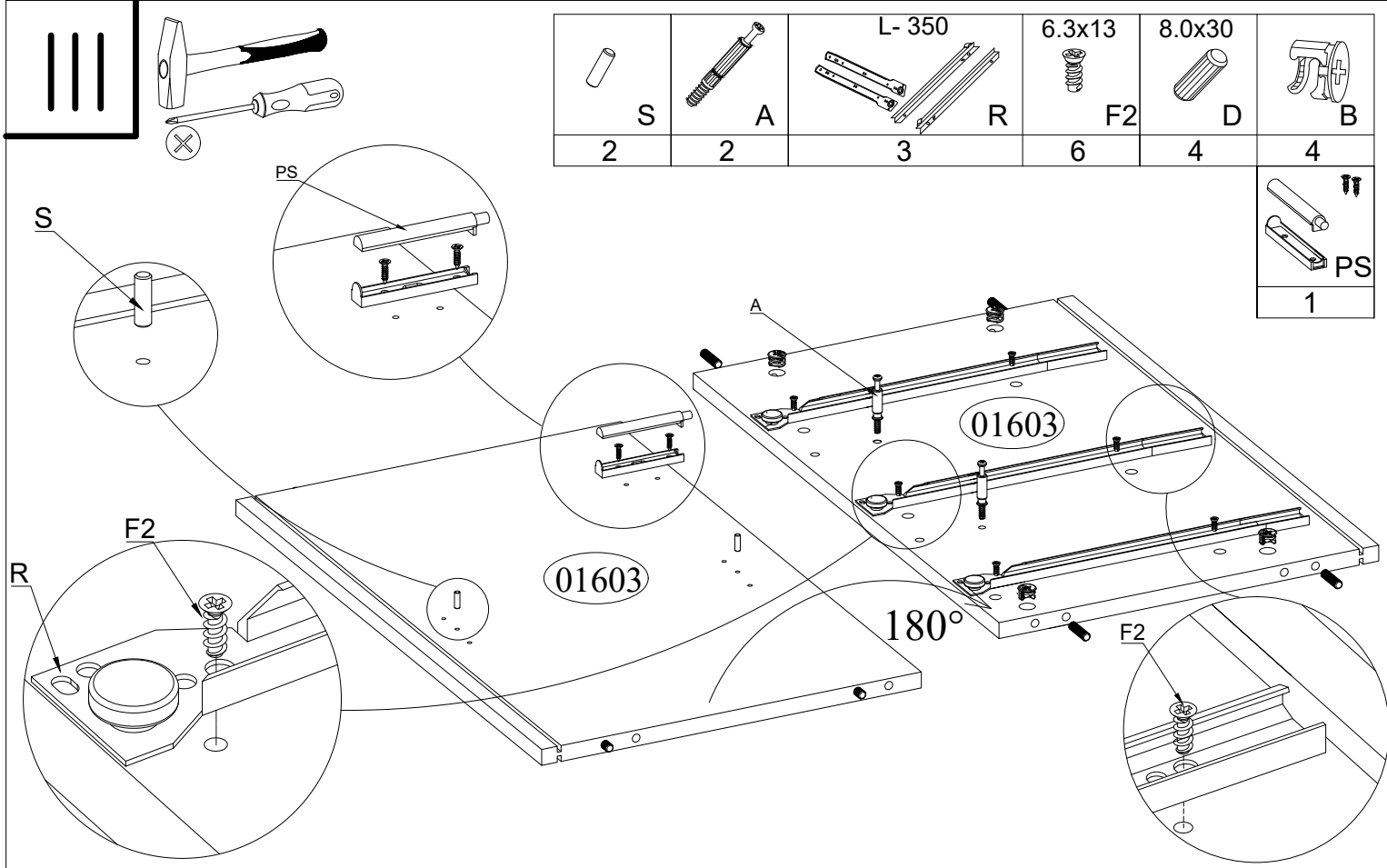


		8.0x30 	
S	L	D	B
2	2	4	4

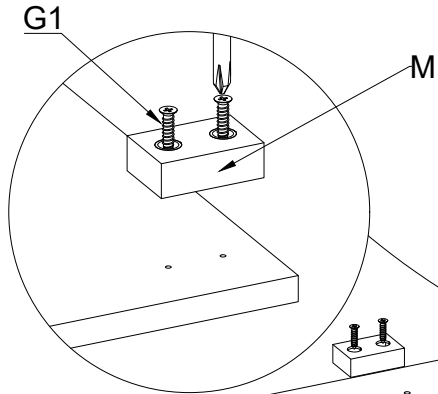
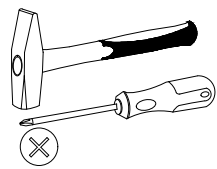





	L-350 	6.3x13 	8.0x30 	
A	R	F2	D	B
2	3	6	4	4

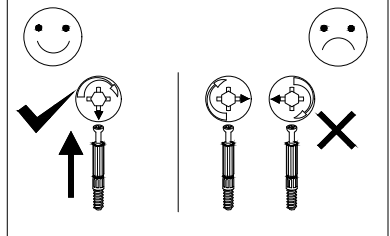
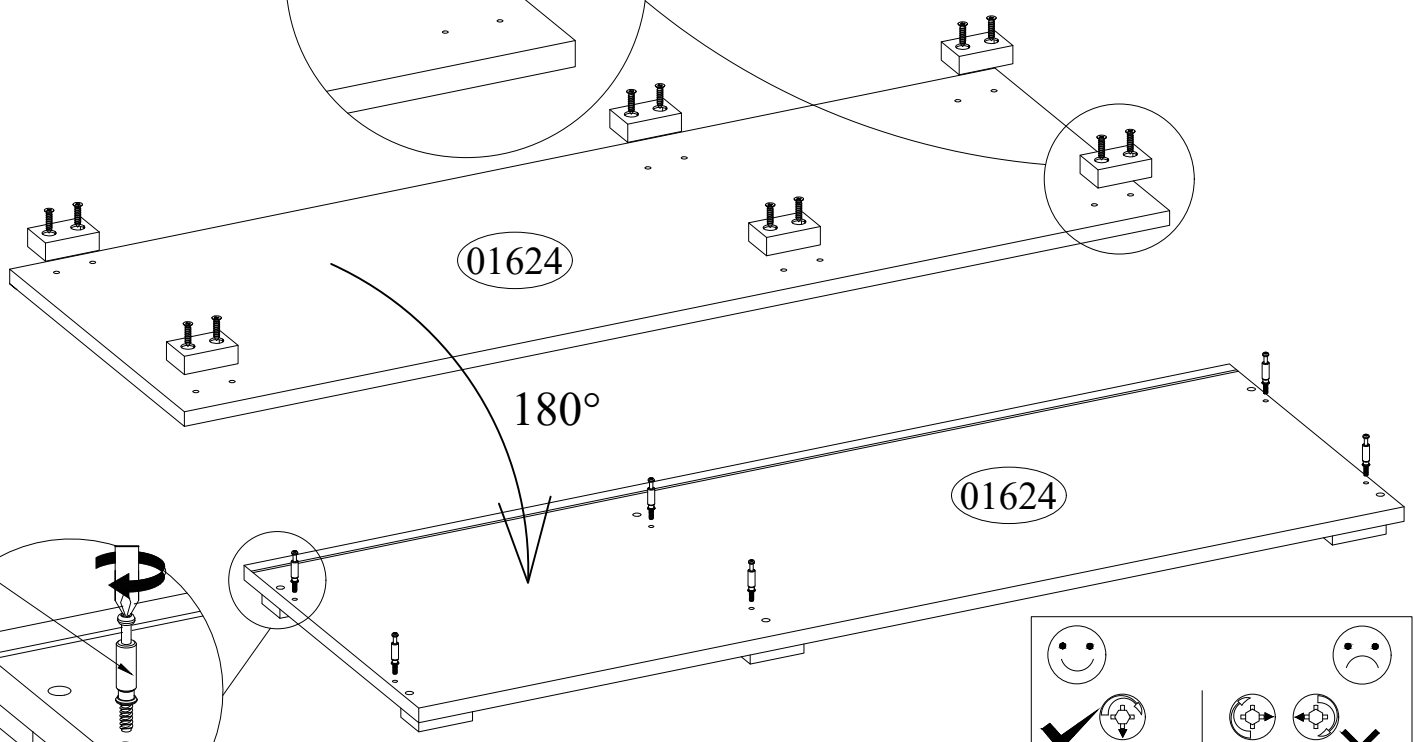




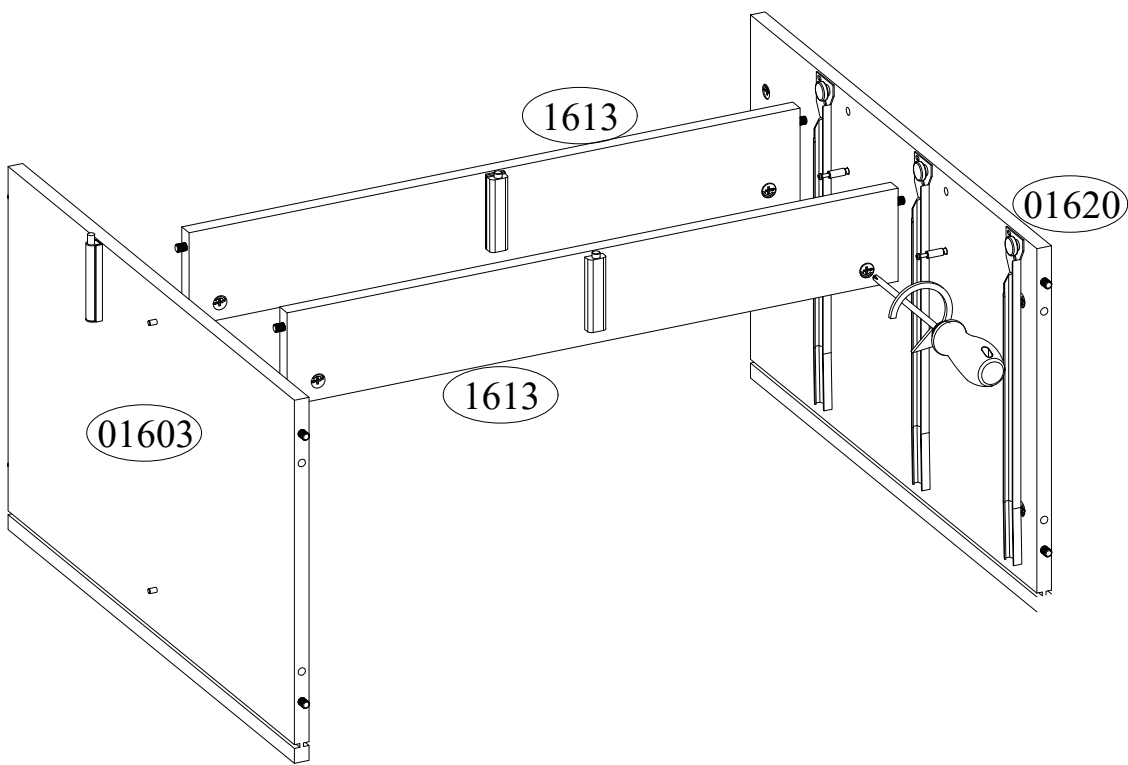
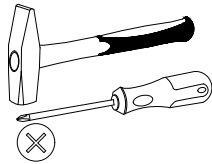
VI



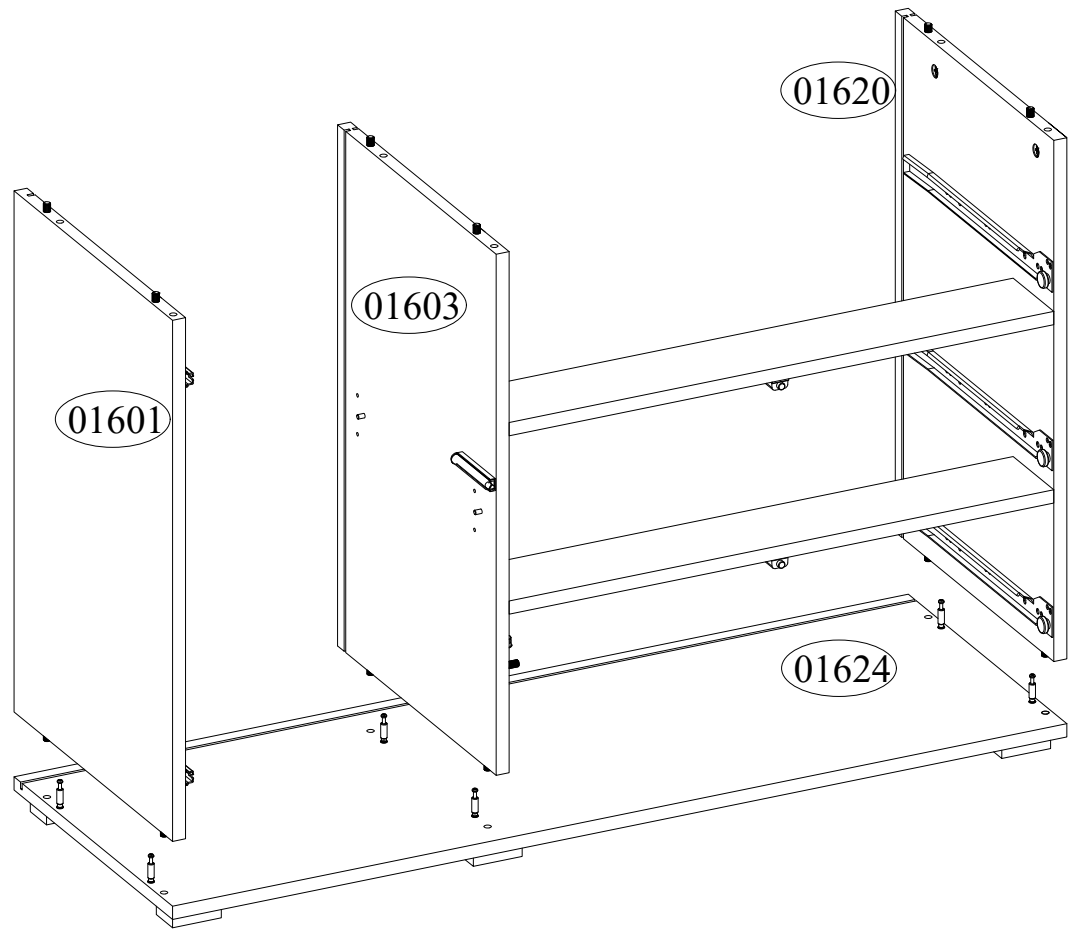
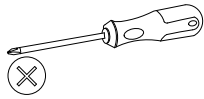
		4.0x25 
A	M	G1
6	6	12



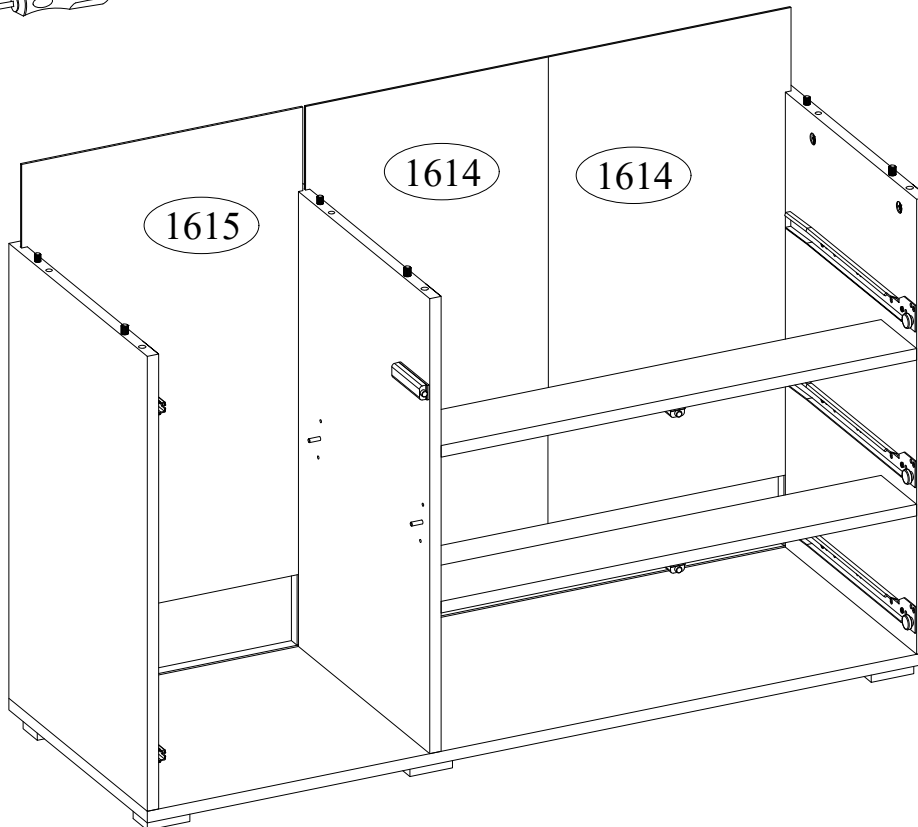
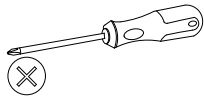
VII



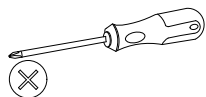
VIII



IX

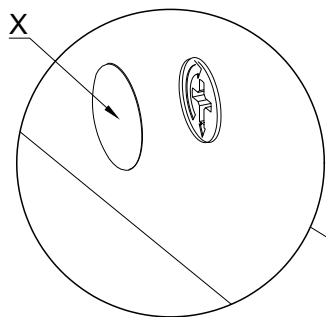


X

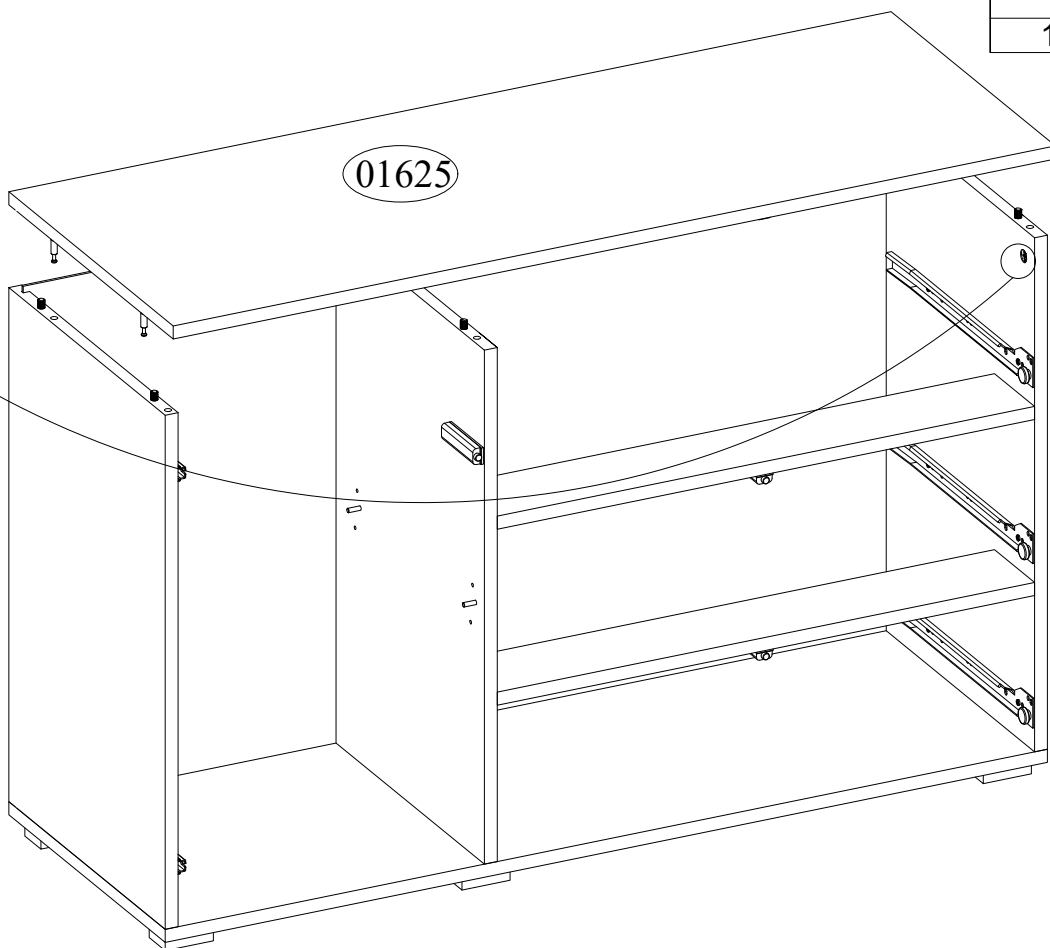


X

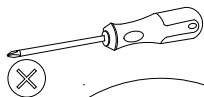
16



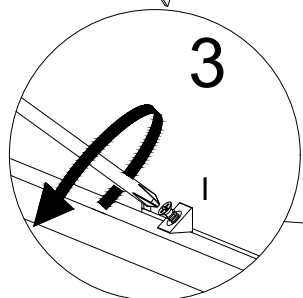
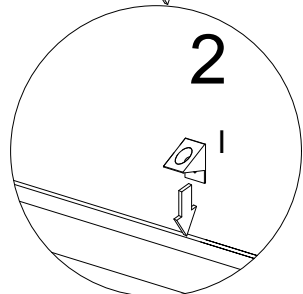
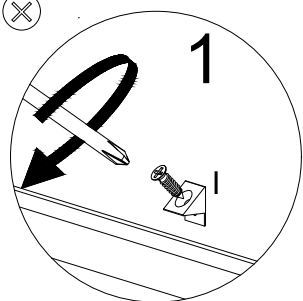
01625



XI



14



1614

X

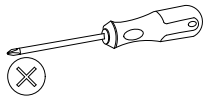
1614


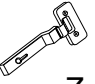
Y

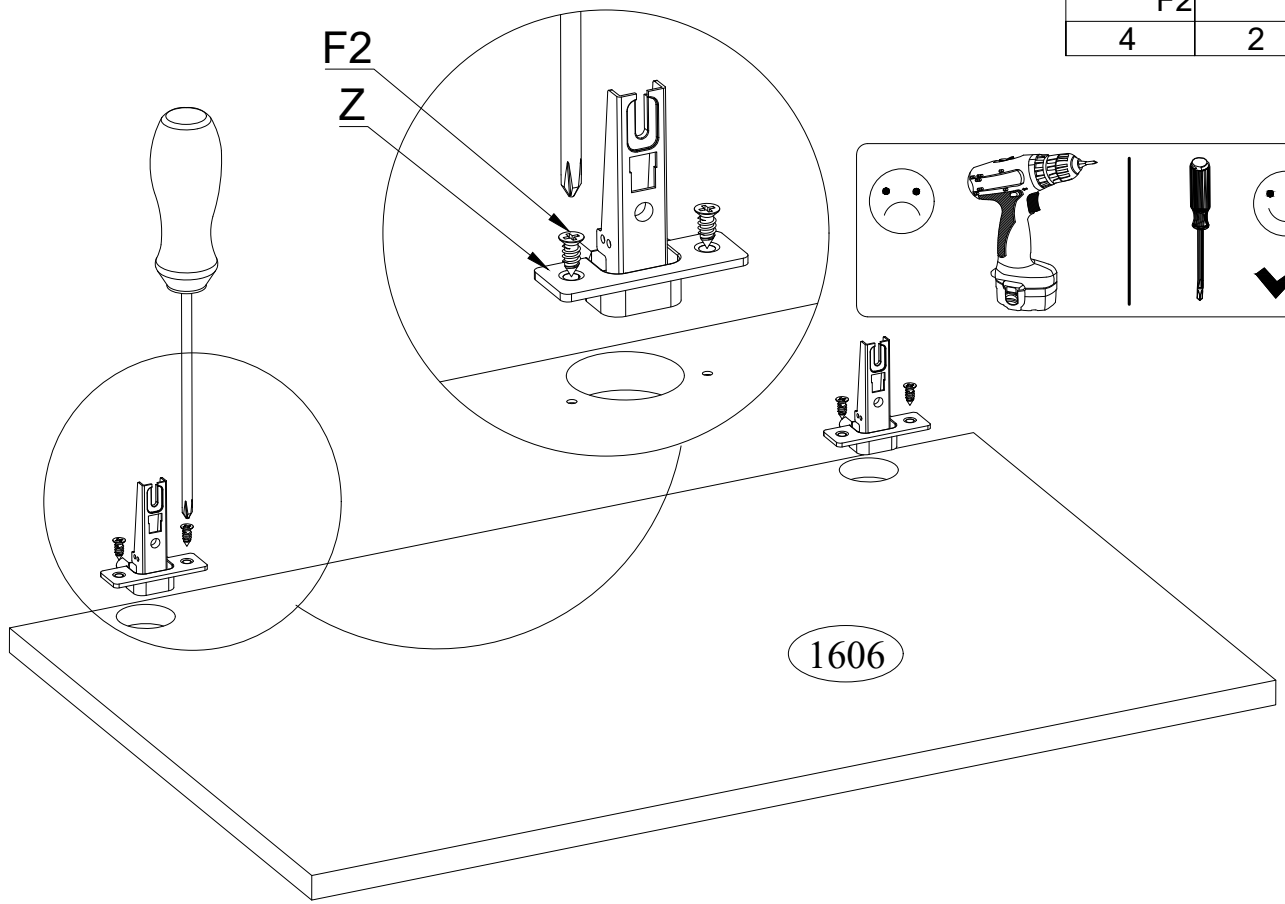
1615

X=Y

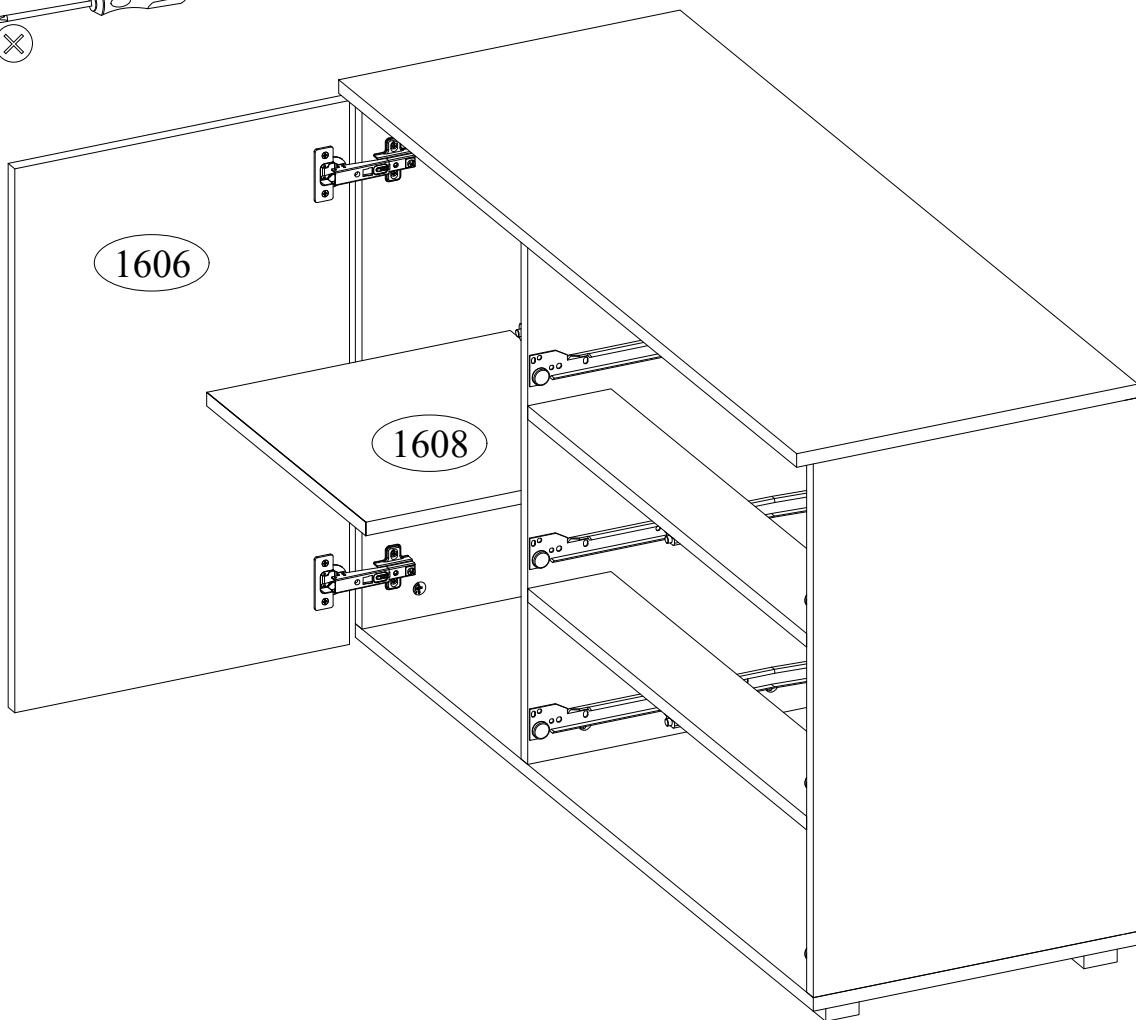
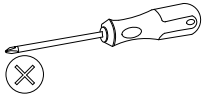
XII



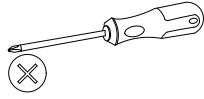
6.3X13 	
F2	Z
4	2



XIII

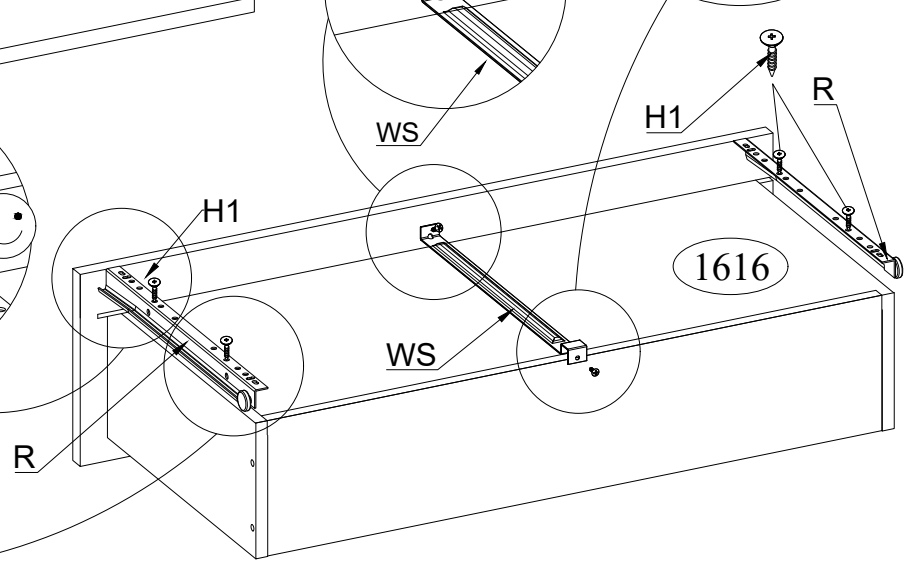
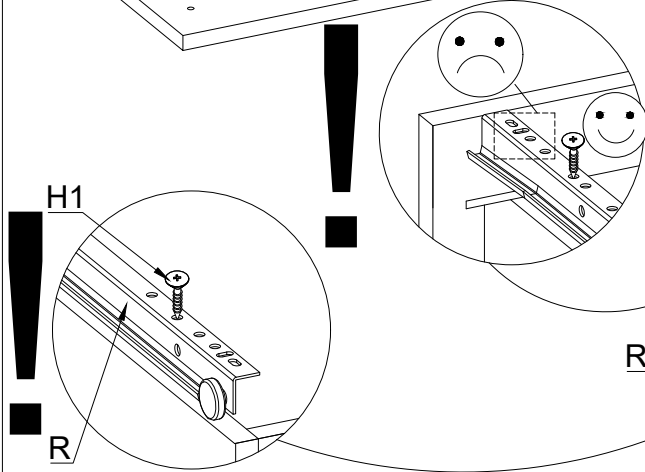
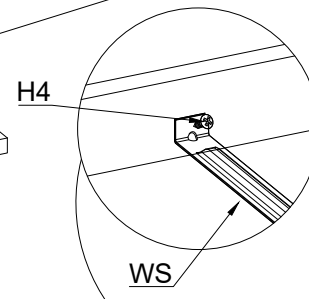
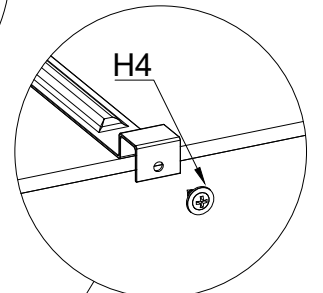
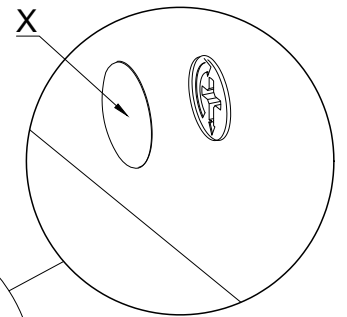
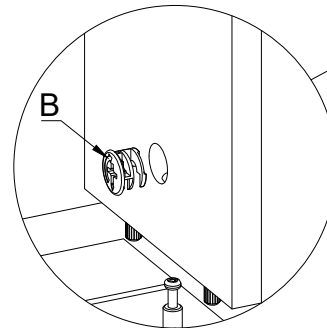
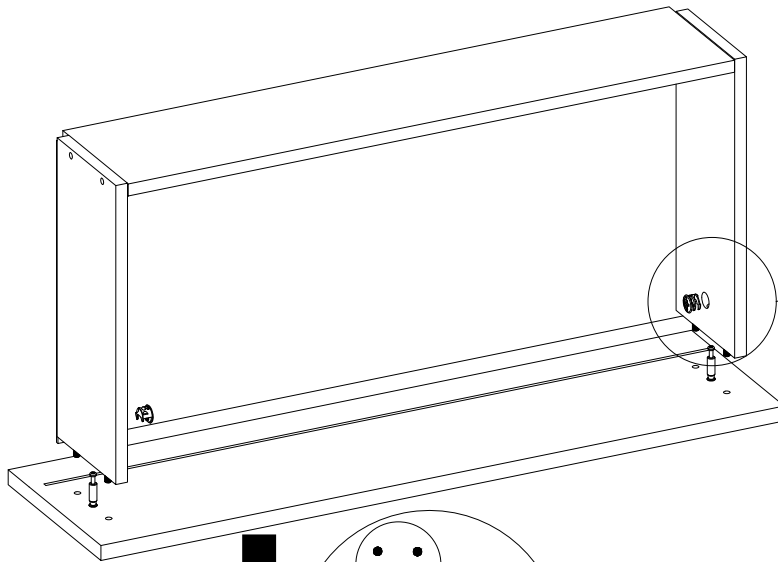
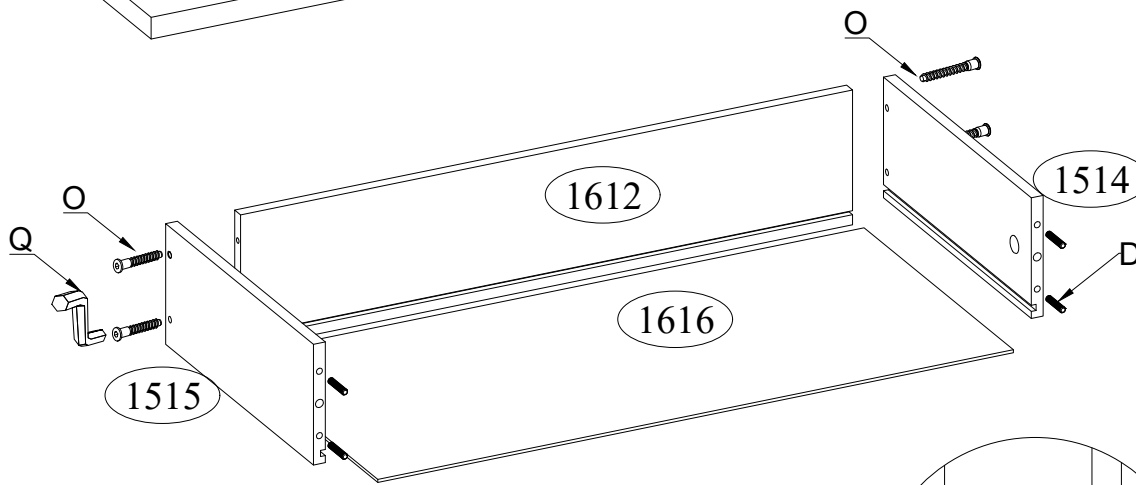
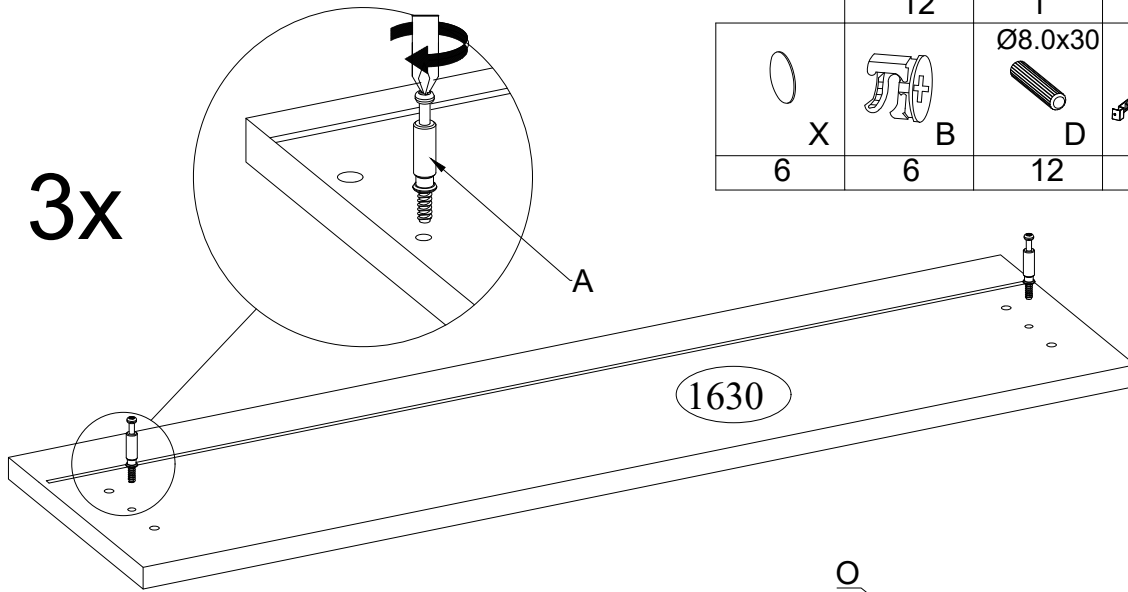


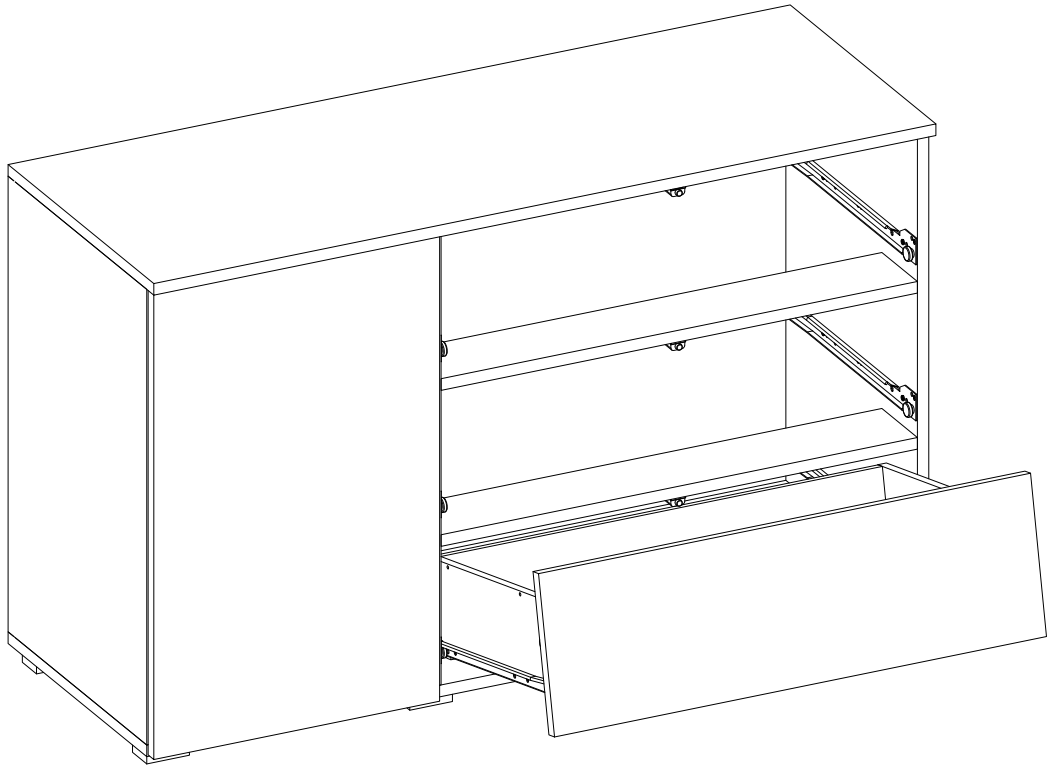
XIV



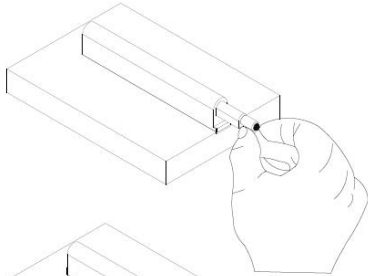
	5.0x70 O 12	 Q 1	 A 6	3.0x20 H1 12	3.0x13 H4 6
 X 6	 B 6	Ø8.0x30 D 12	 WS 3	 R 3	

3x





1



2

