
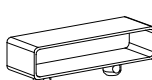
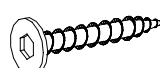
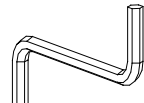
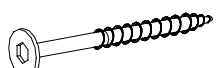
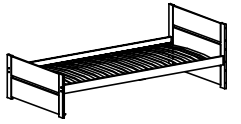
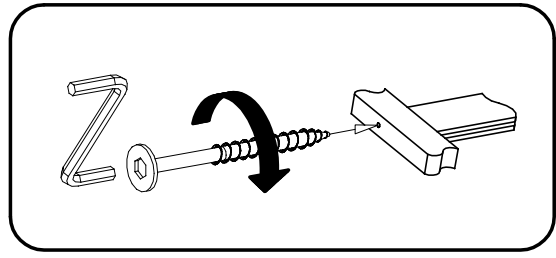
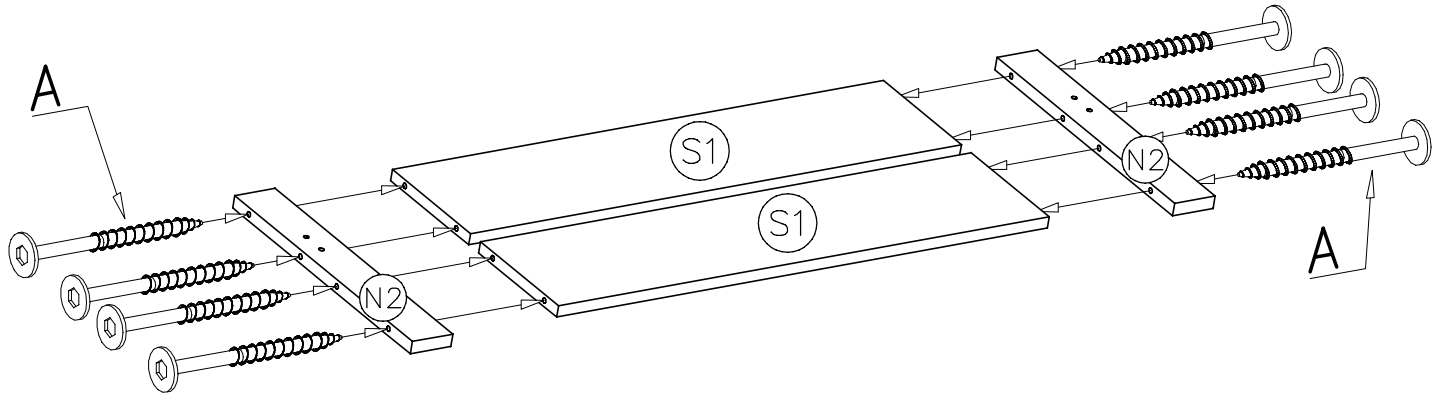


E  6x13 x26	M  x34	C  6x50 x8	G  x1	A  6x110 x20
---	--	--	---	--



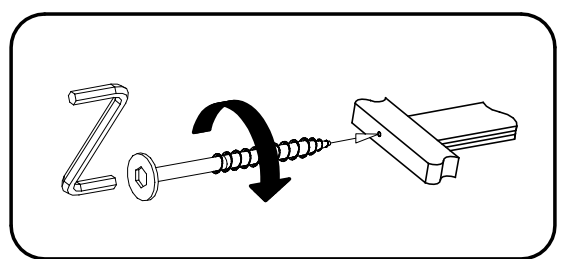
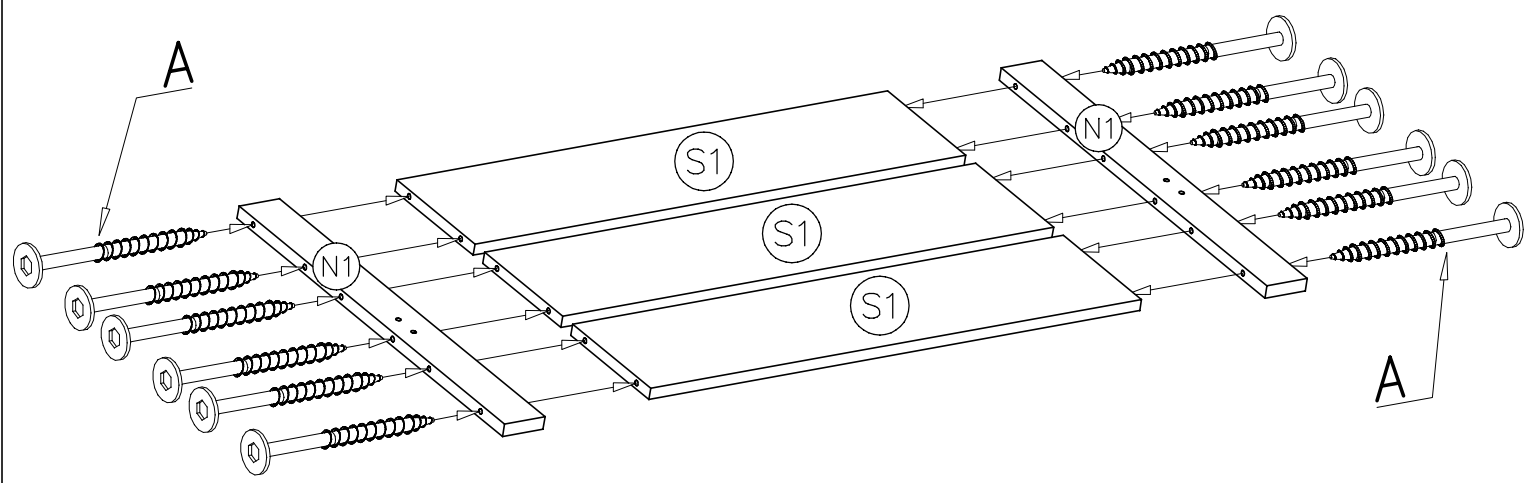
I

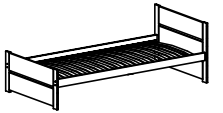
A
6x80 x8



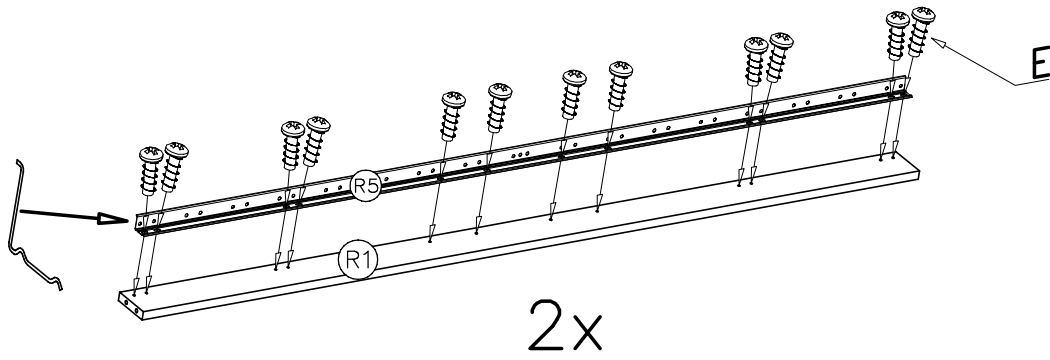
II

A
6x80 x12



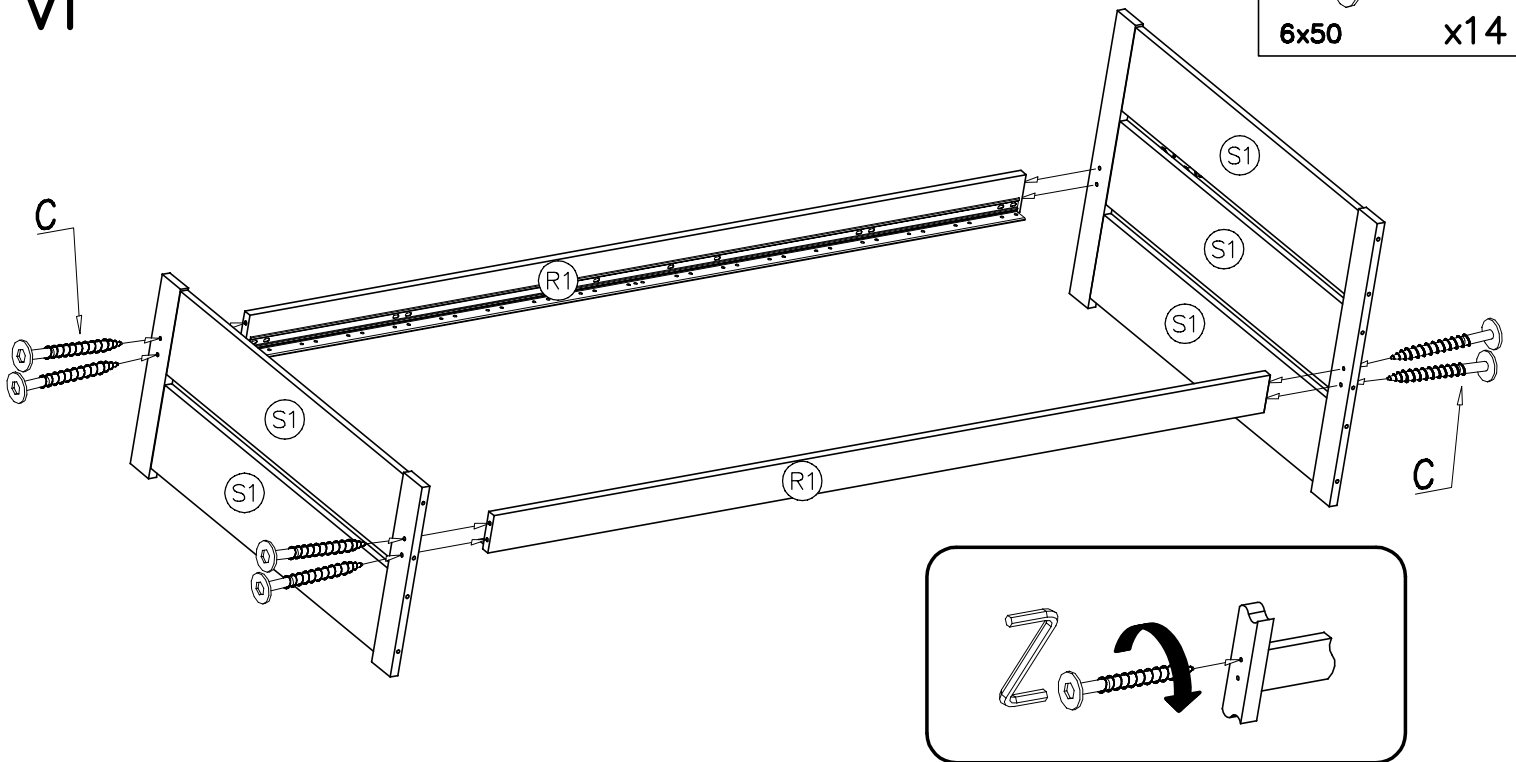


III



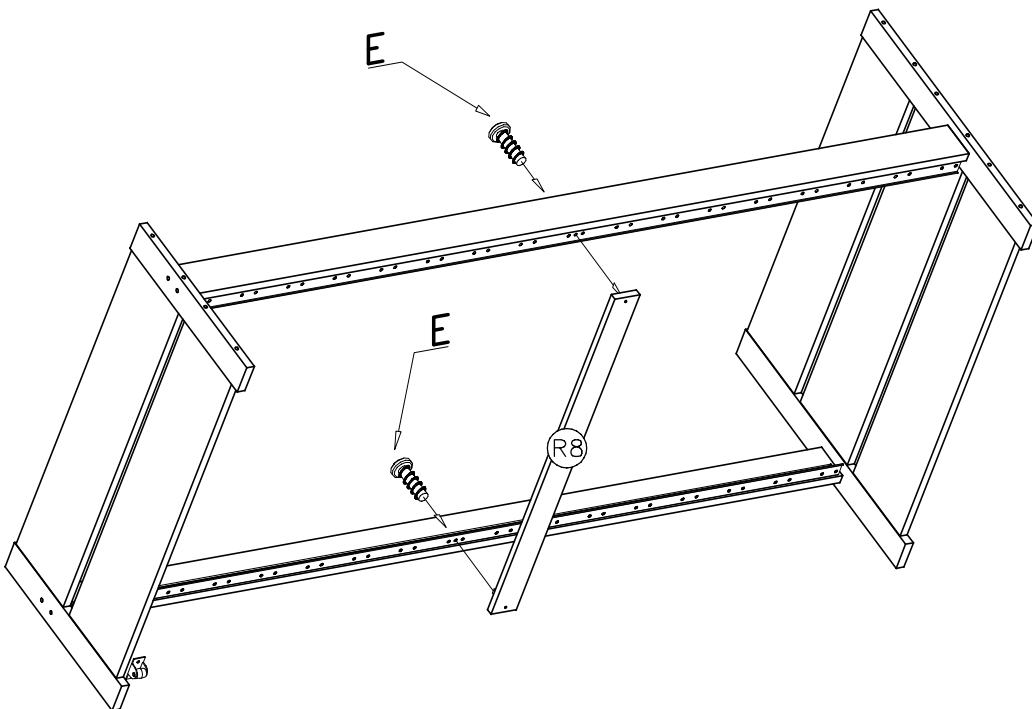
E
6x13 x24

VI

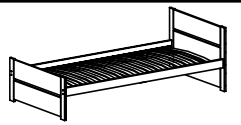


C
6x50 x14

V



E
6x13 x2



VI

M
x34

