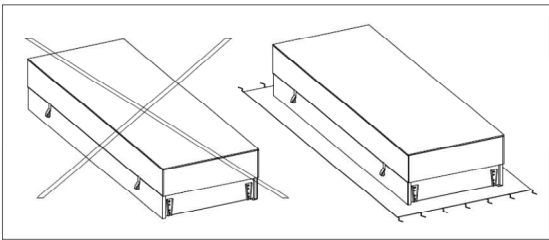
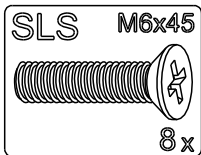
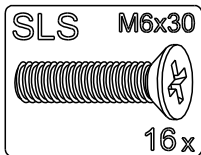
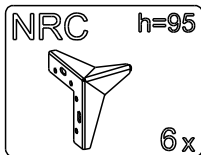
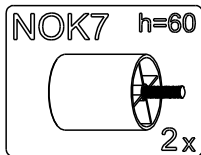
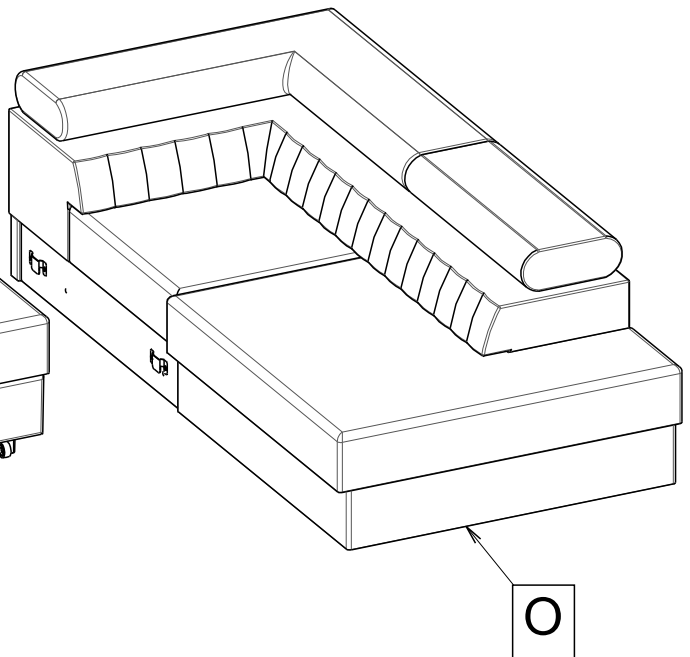
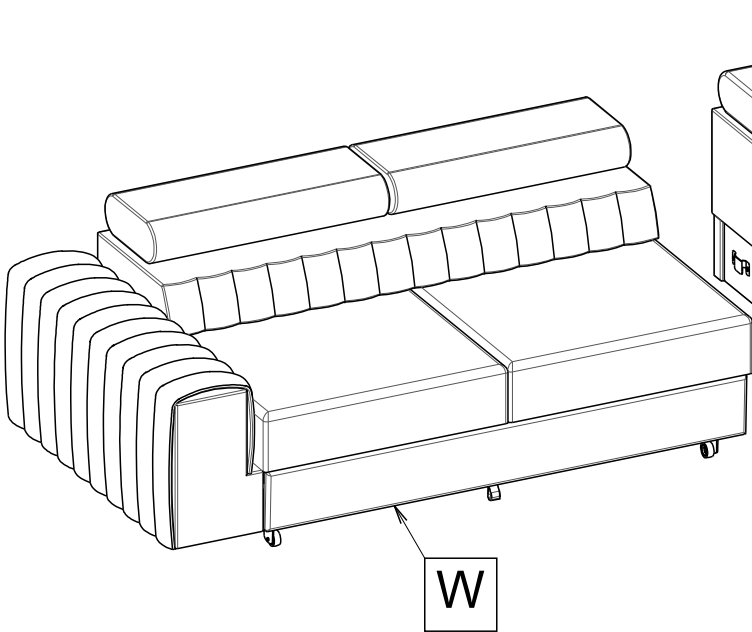
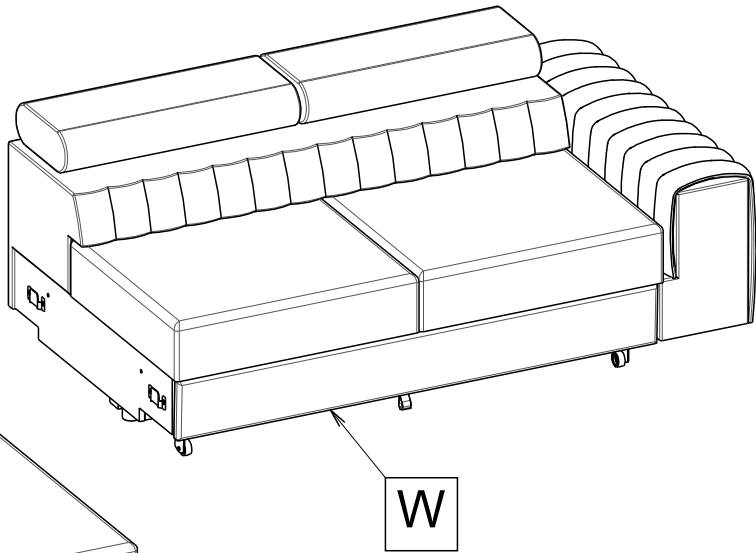
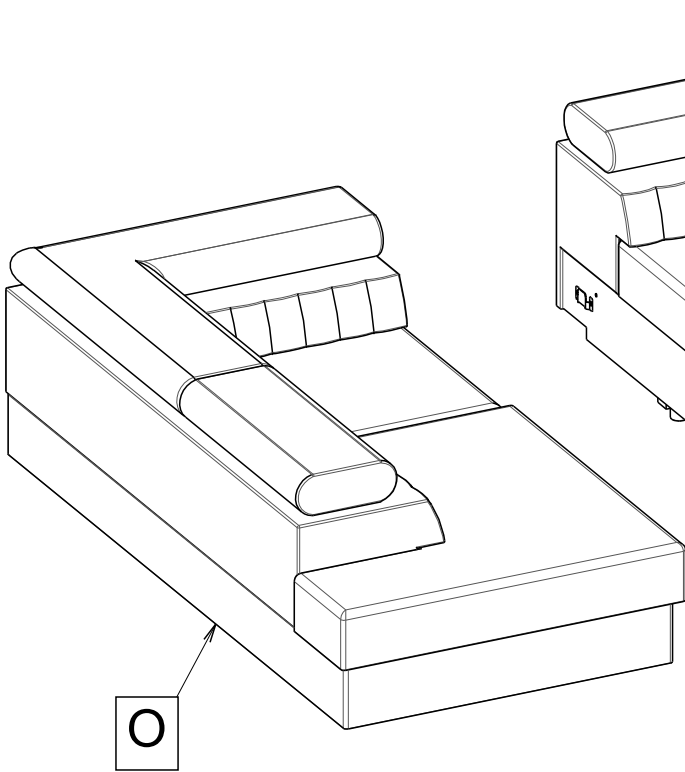


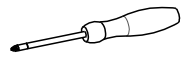
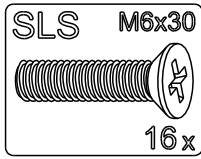
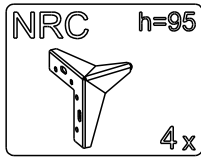
25min



O	1x
W	1x



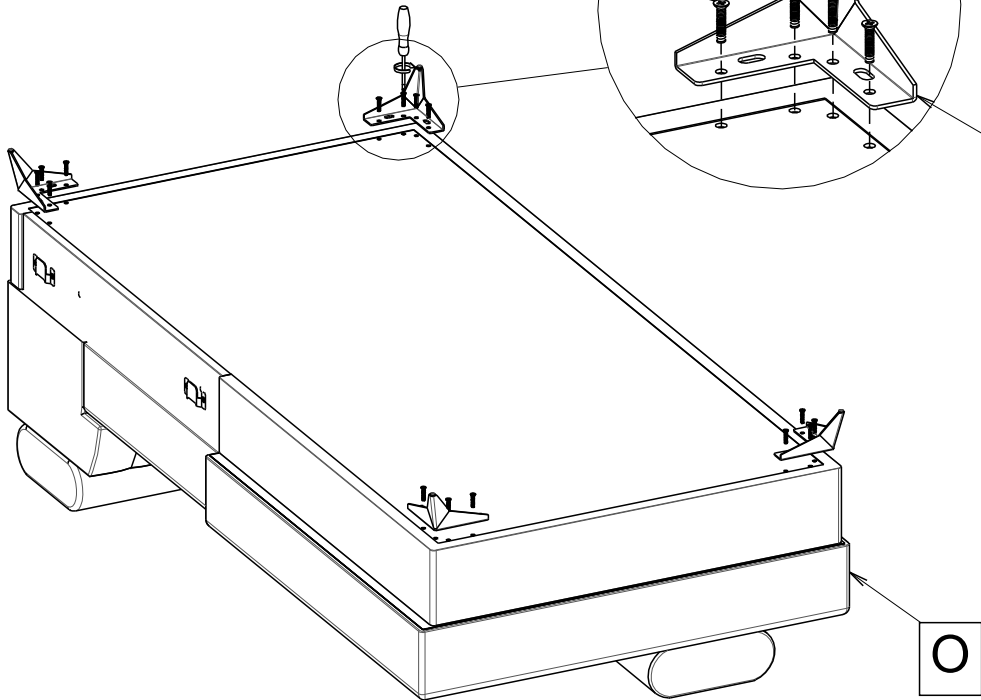
1



4x

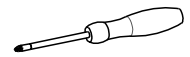
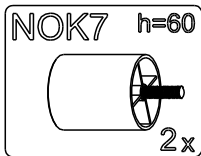
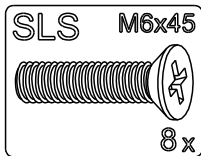
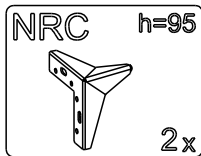
SLS M6x30

NRC



O

2



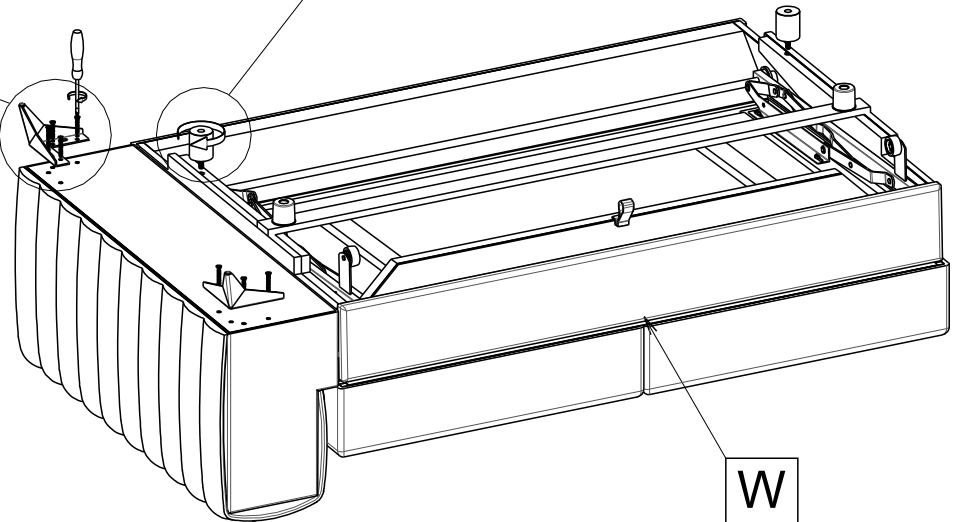
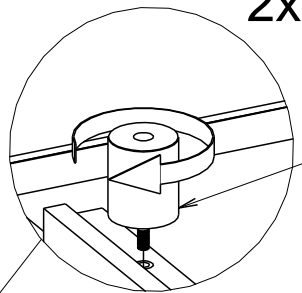
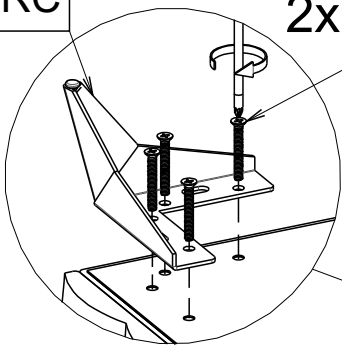
2x

NRC

2x

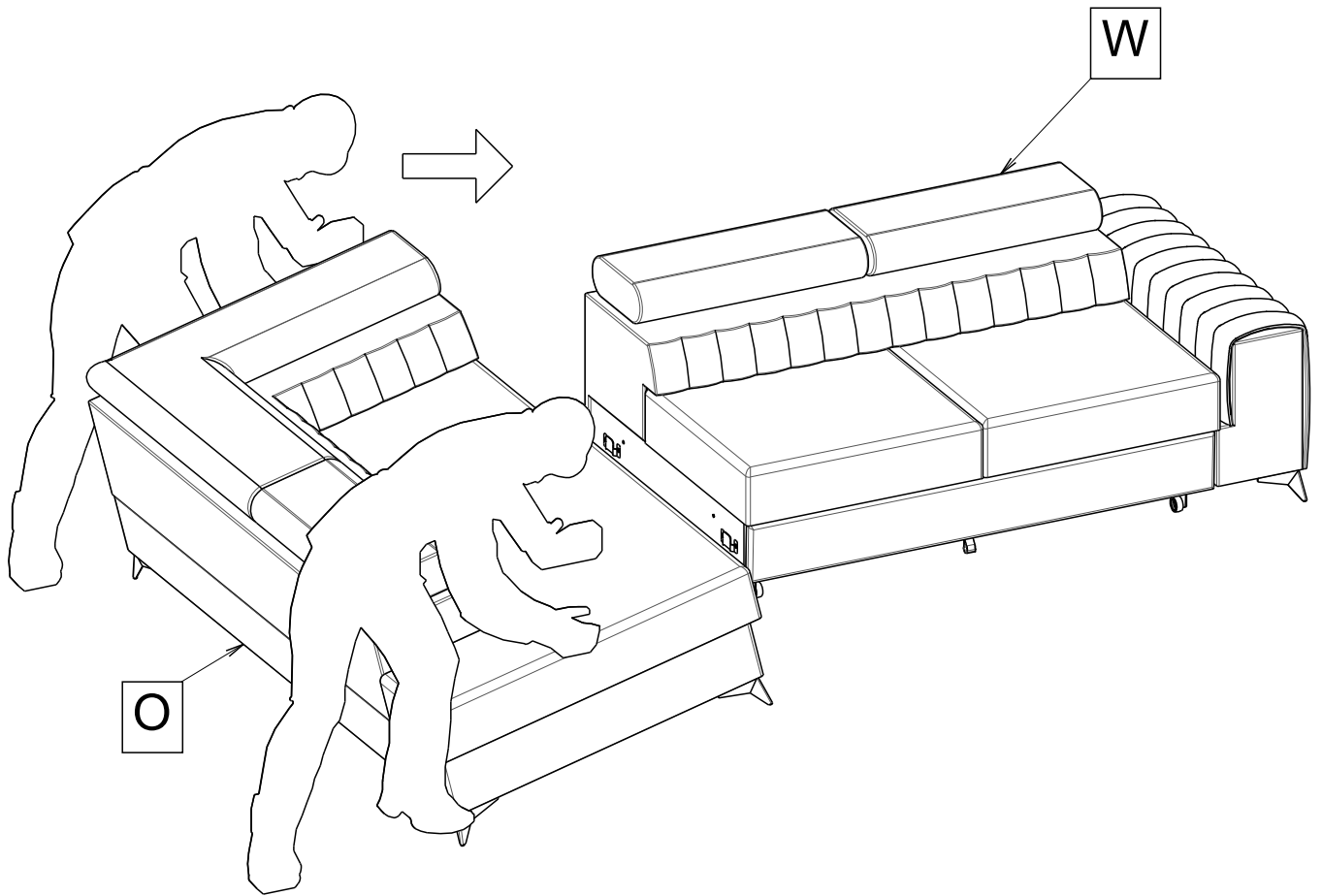
SLS M6x45

NOK7

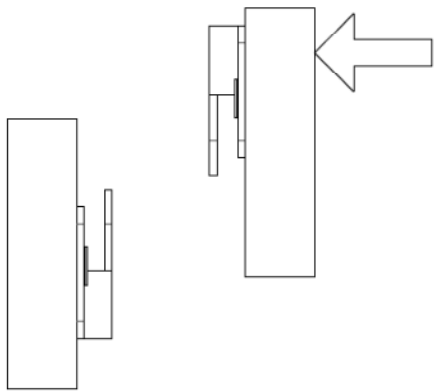


W

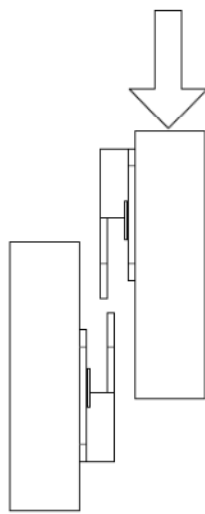
# 3



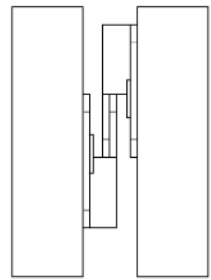
1)



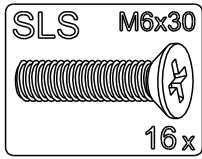
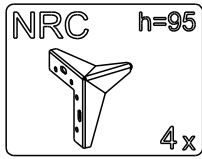
2)



3)



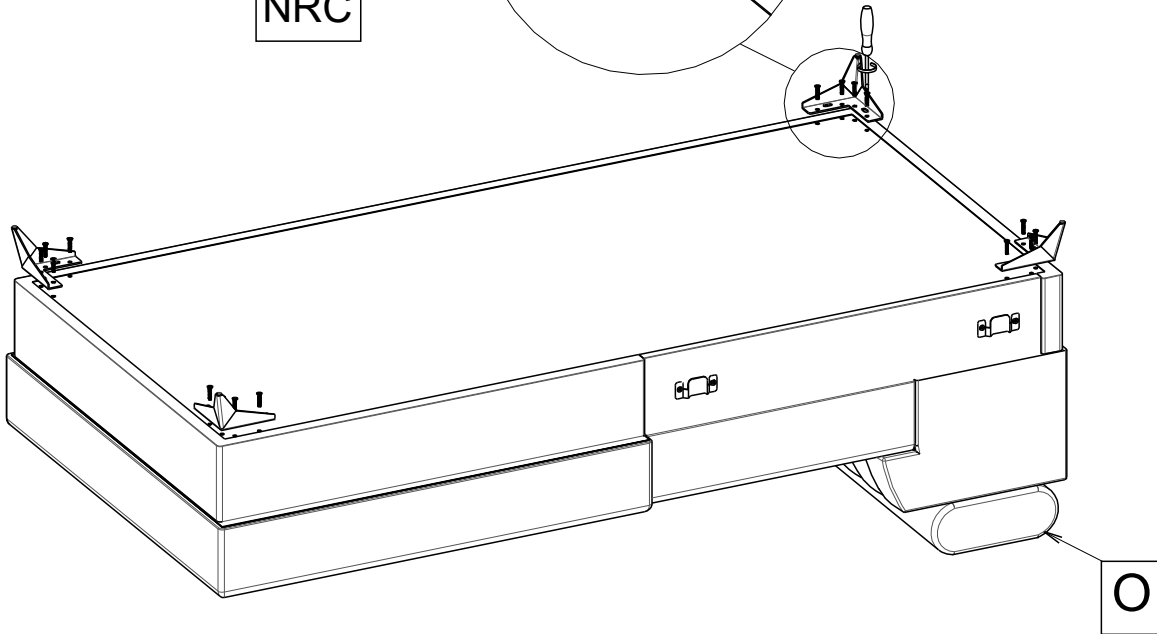
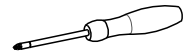
1



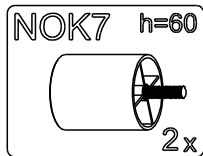
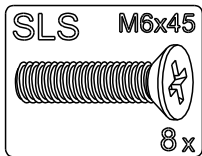
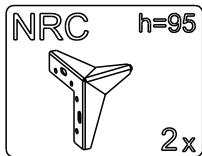
4x

SLS M6x30

NRC

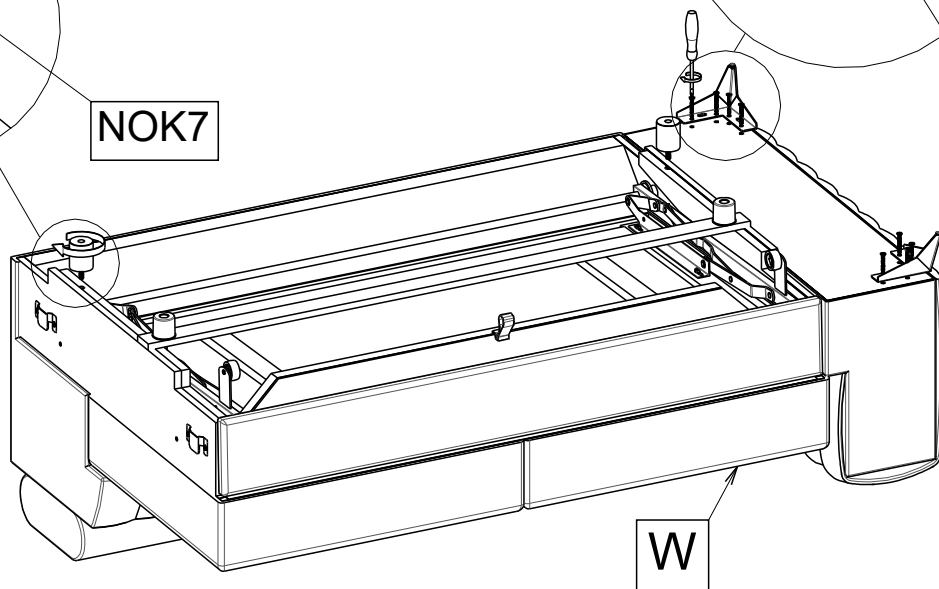
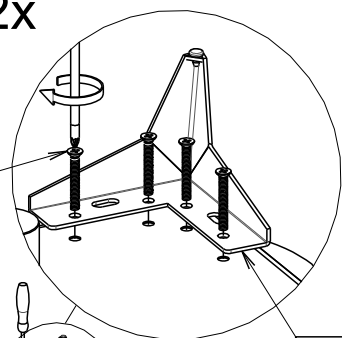
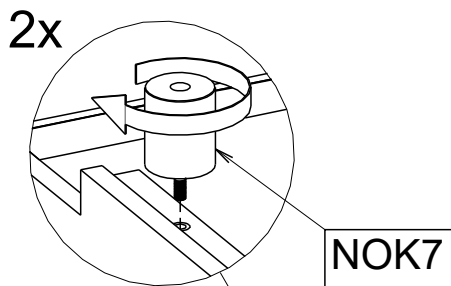


2

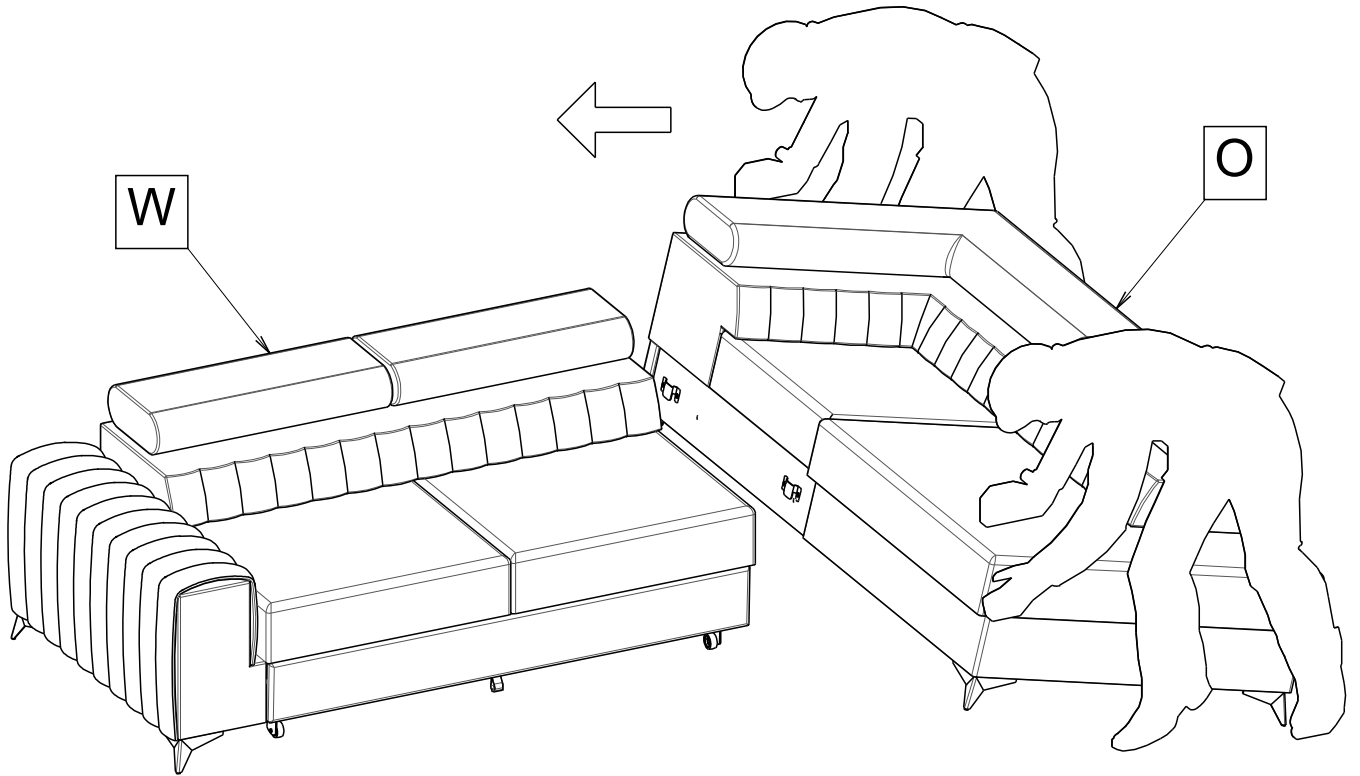


2x

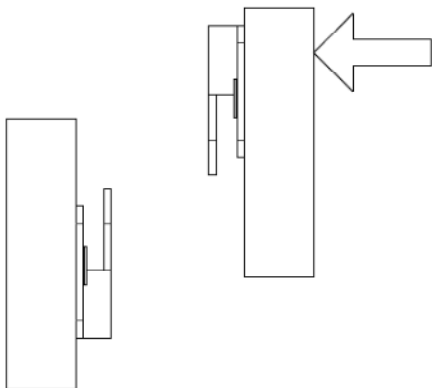
SLS M6x45



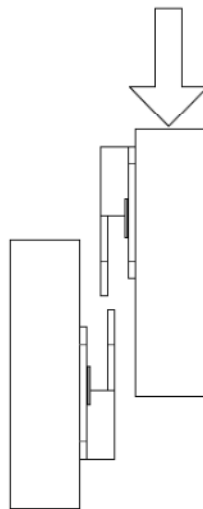
3



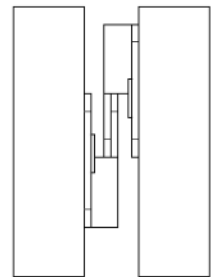
1)



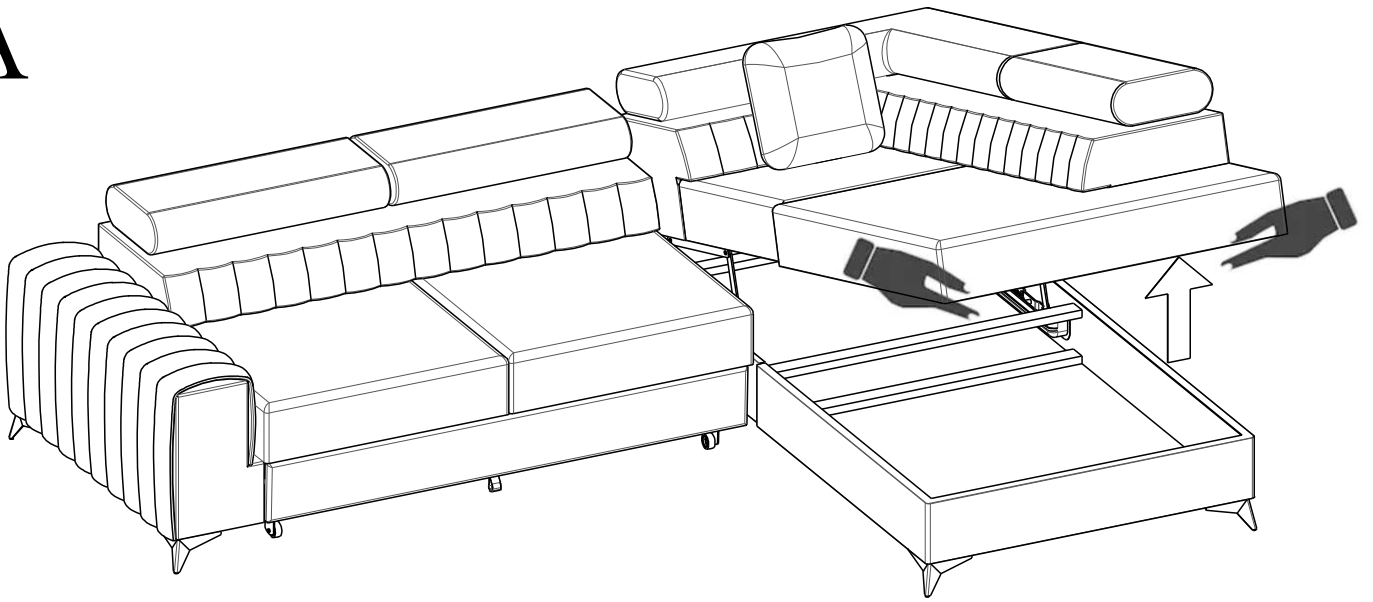
2)



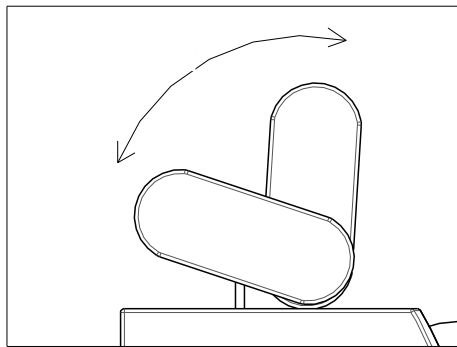
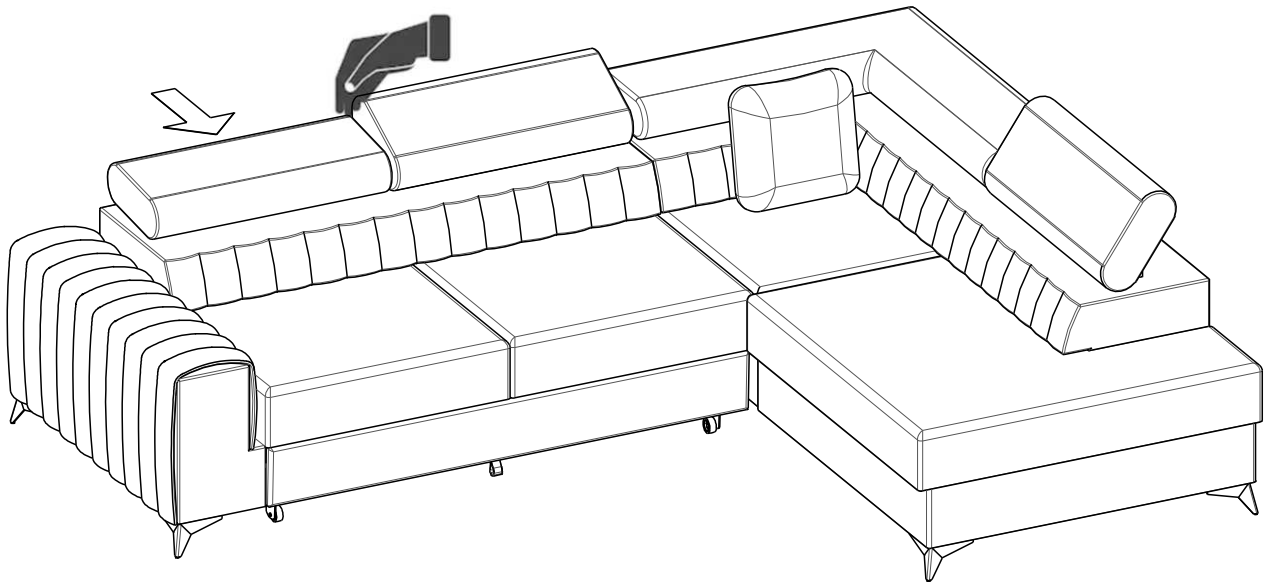
3)



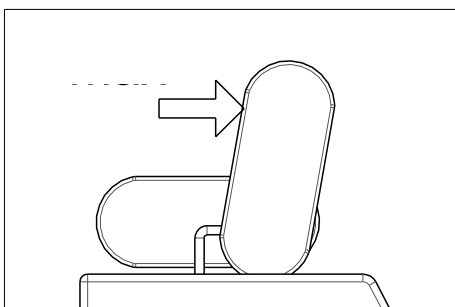
A



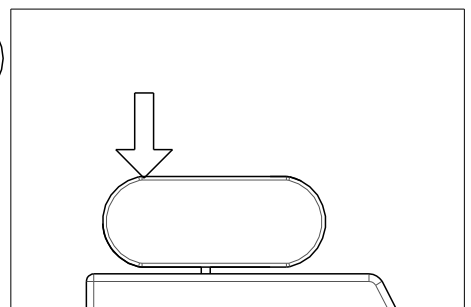
B



1



2



C

