
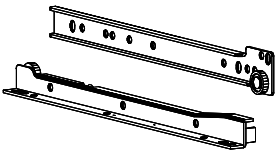
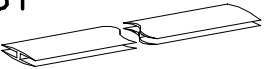
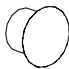
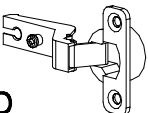


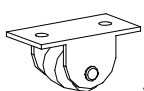
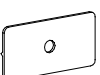
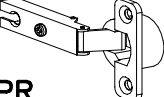

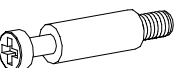
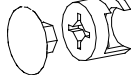

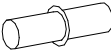
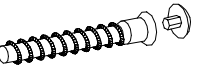
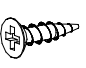

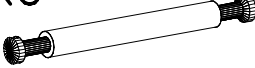





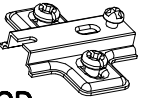
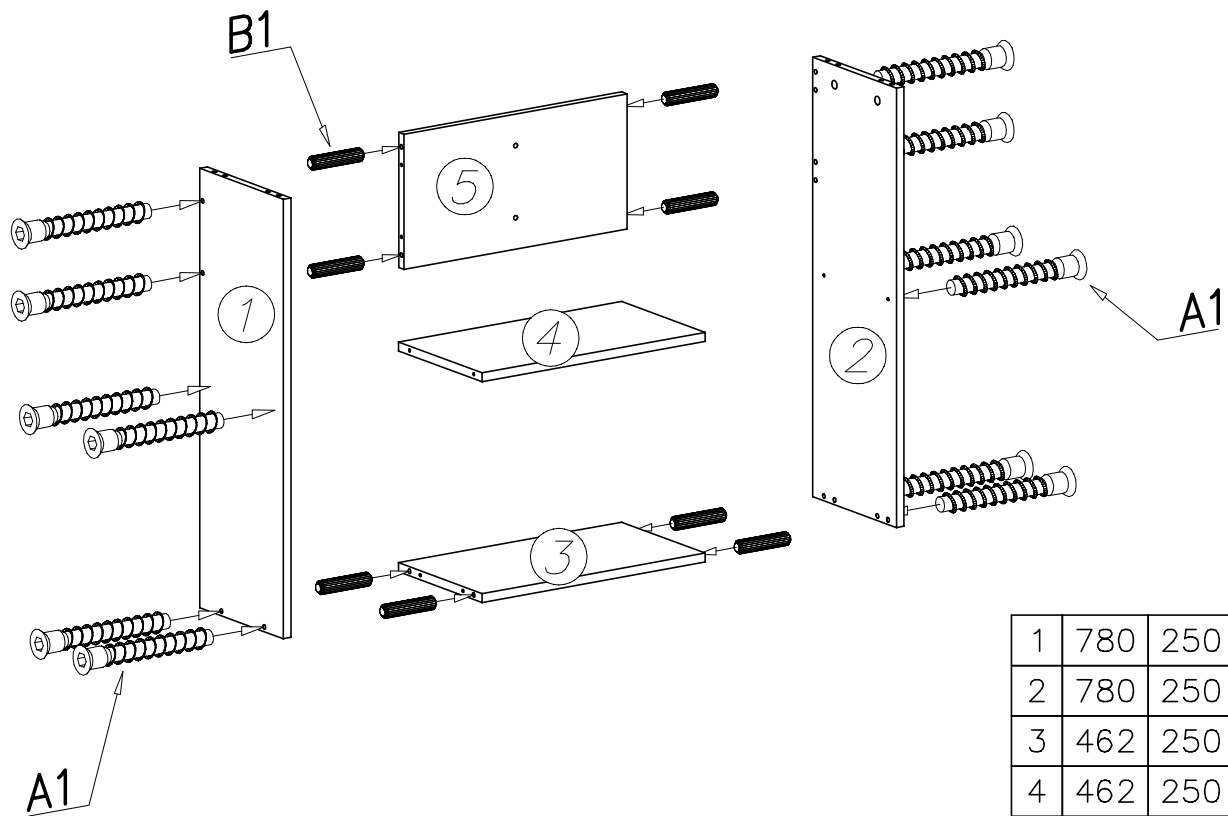


				I10  x1	
H7  350mm x3	S1  x1	I8  $\varnothing 8$ x8	C4  x2	G14  x2	
	G20  x12	P24  x5	S17  x7	C3  x2	
B1  $\varnothing 8 \times 35$ x116	K5  x19	K1  $\varnothing 15 \times 12$ x21	W2  x1	F2  x4	
A1  $\varnothing 7 \times 50$ x87	G4  x22	G6  x12	K6  x1	S6  x1	
P7  x15	G16  x10	E34  x5	W4  x95	D4  x4	

nr	dł.	szer.	paczka
1	780	250	2/6
2	780	250	2/6
3	462	250	4/6
4	462	250	4/6
5	462	240	2/6
6	643	240	2/6
7	780	495	2/6
8	900	495	2/6
9	495	65	2/6
10	630	260	5/6
11	630	260	5/6
12	350	200	1/6
13	350	200	1/6
14	569	180	2/6
14	569	180	3/6
15	665	355	3/6
16	1118	383	3/6
17	767	383	1/6
18	1118	383	3/6
19	950	400	1/6
20	950	400	1/6
21	1118	80	3/6
22	950	648	3/6

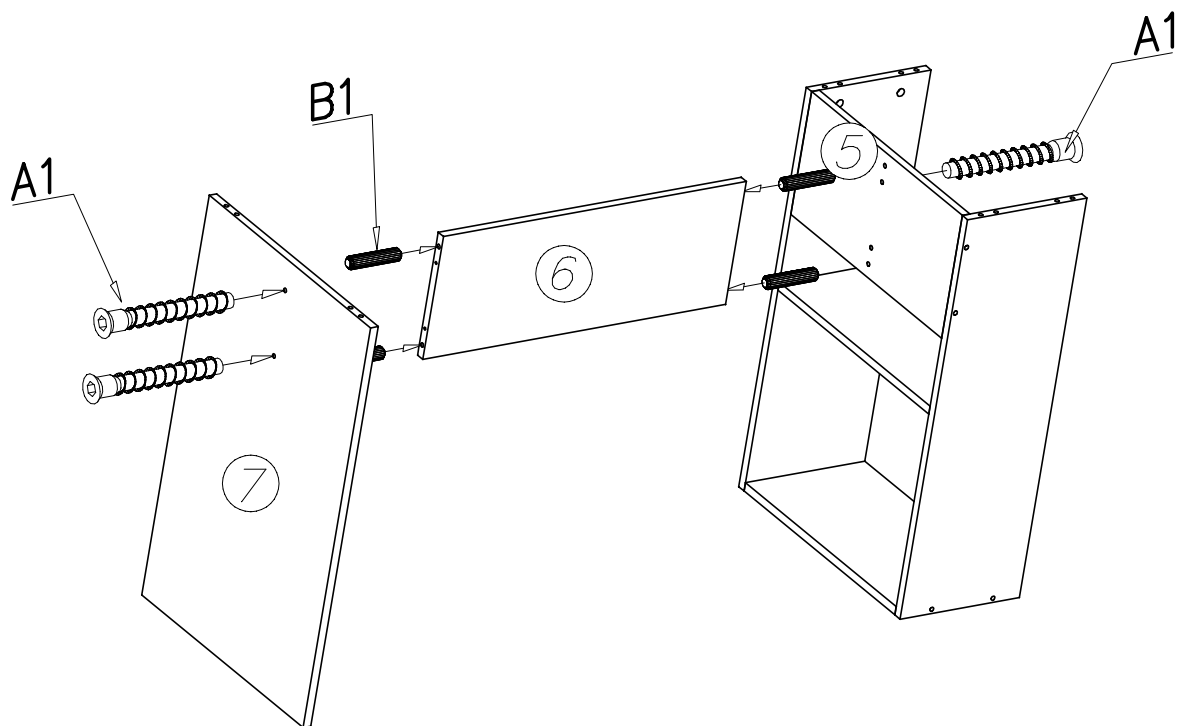
nr	dł.	szer.	paczka
23	950	498	3/6
24	950	350	1/6
25	950	350	1/6
26	467	350	4/6
27	467	350	4/6
28	950	496	3/6
29	2000	900	4/6
30	1250	900	3/6
31	300	900	2/6
32	2033	300	4/6
33	1634	300	6/6
34	1634	133	4/6
35	1250	150	3/6
36	1250	150	3/6
37	550	350	3/6
38	350	150	3/6
39	350	65	3/6
40	1250	150	3/6
41	485	380	4/6
42	940	496	5/6
43	350	208	2/6
44	787	477	5/6

1



1	780	250
2	780	250
3	462	250
4	462	250
5	462	240

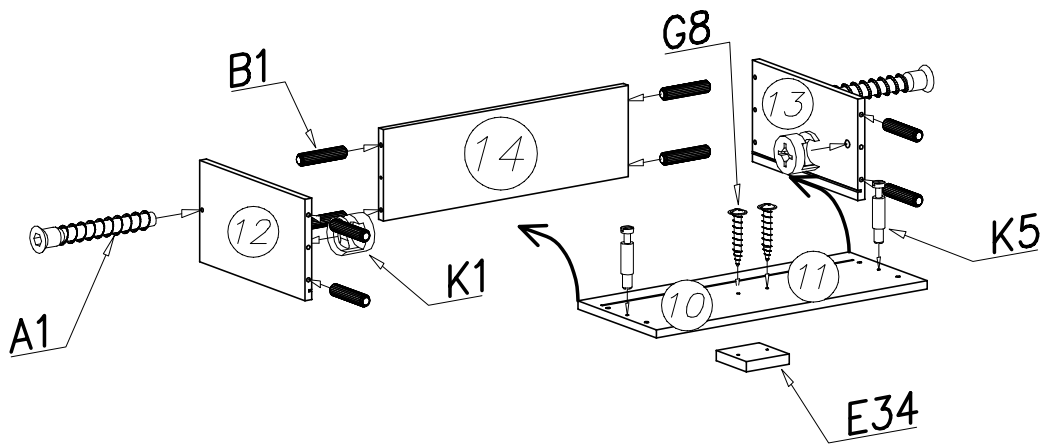
2



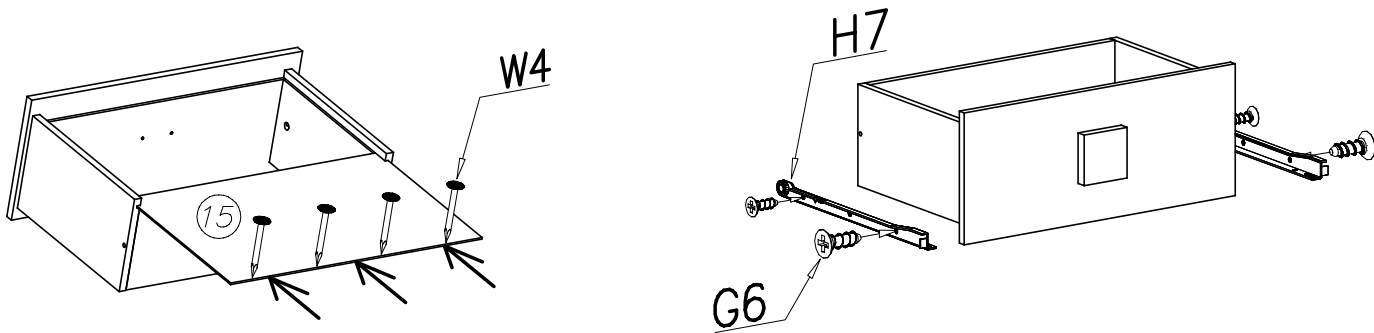
6	643	240
7	780	495



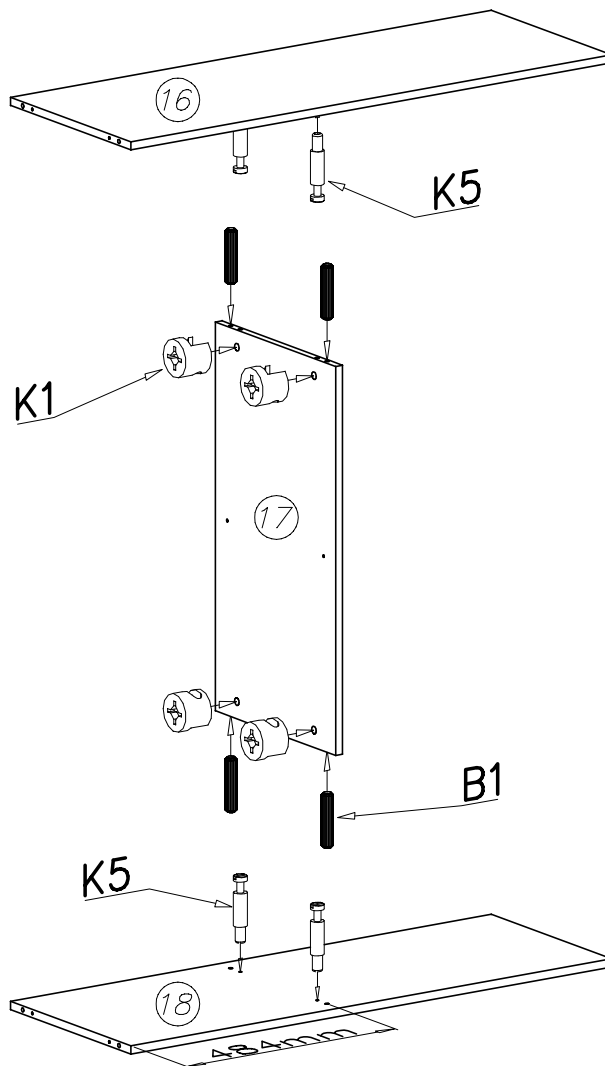
5



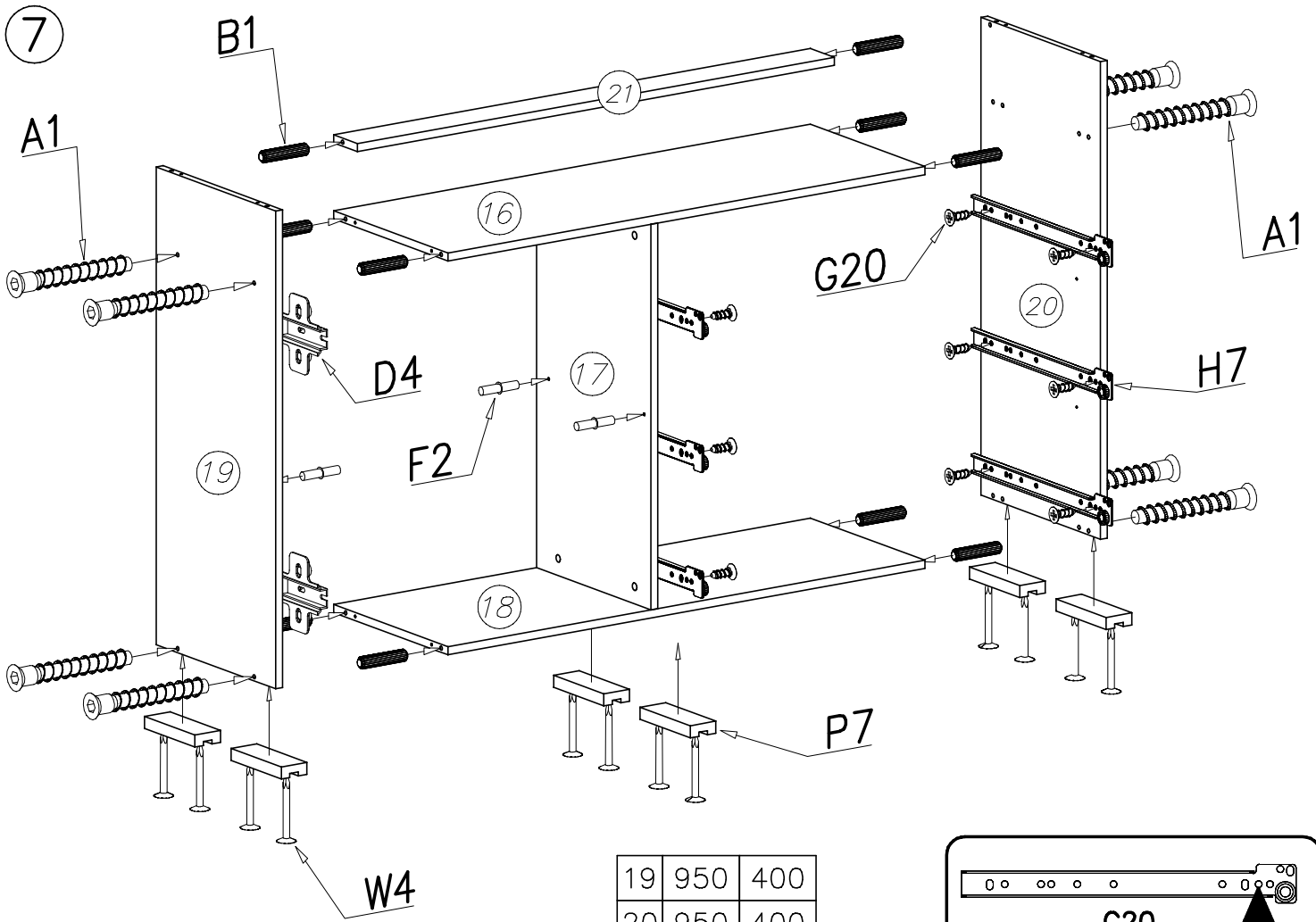
10	630	260
11	630	260
12	350	200
13	350	200
14	569	180
15	665	355



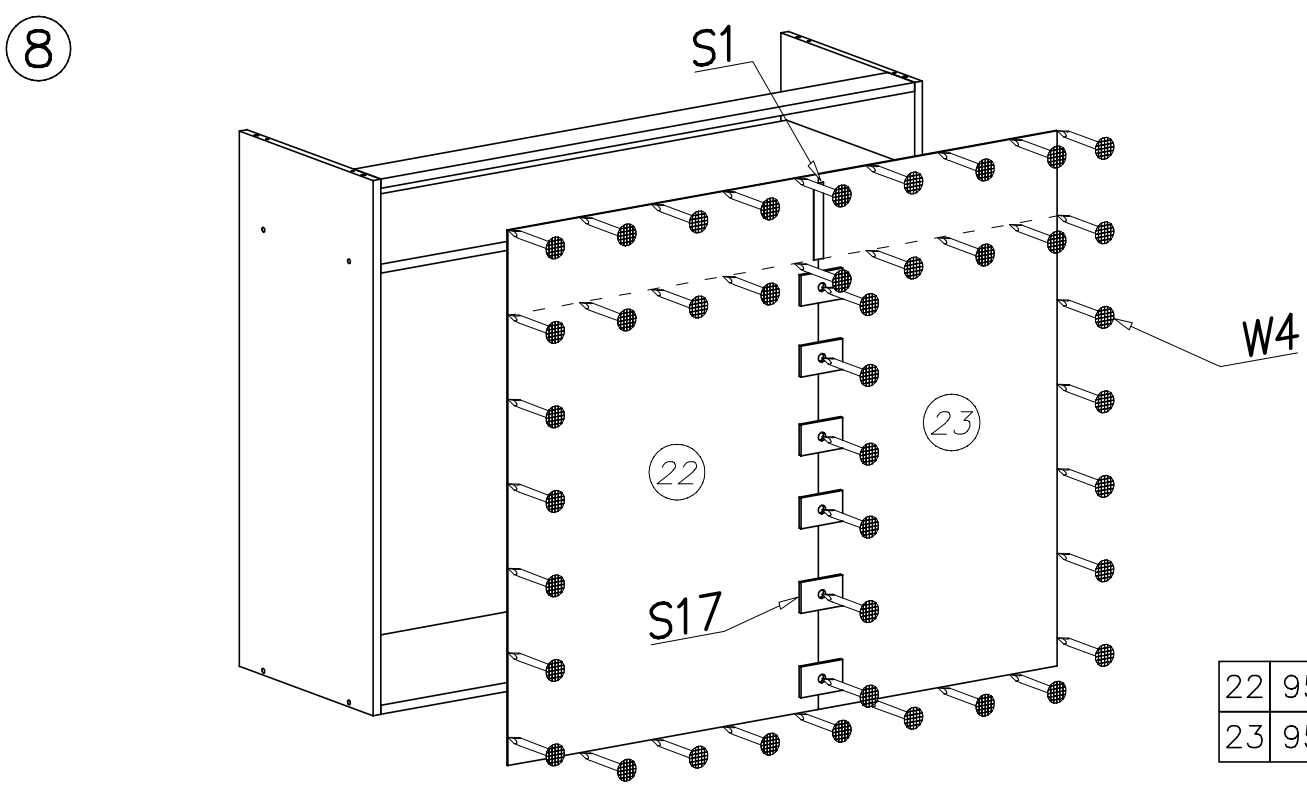
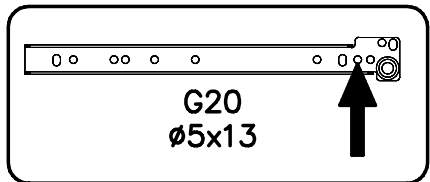
6



16	1118	383
17	767	383
18	1118	383

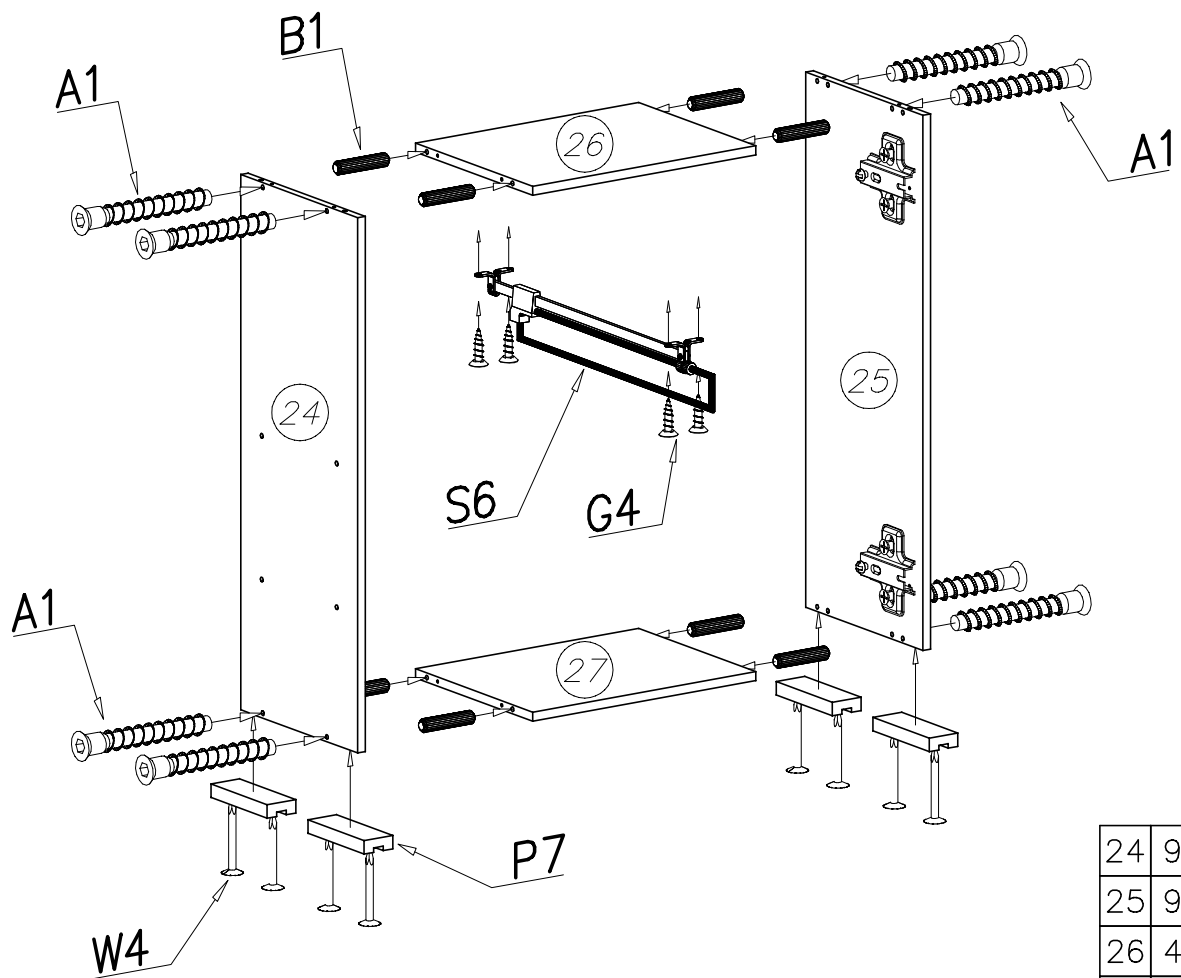


19	950	400
20	950	400
21	1118	80



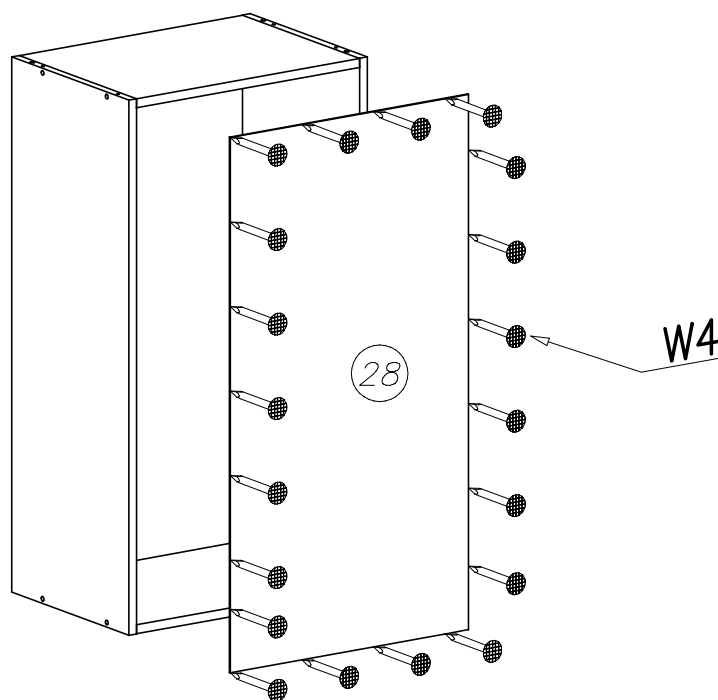
22	950	648
23	950	498

9



24	950	350
25	950	350
26	467	350
27	467	350

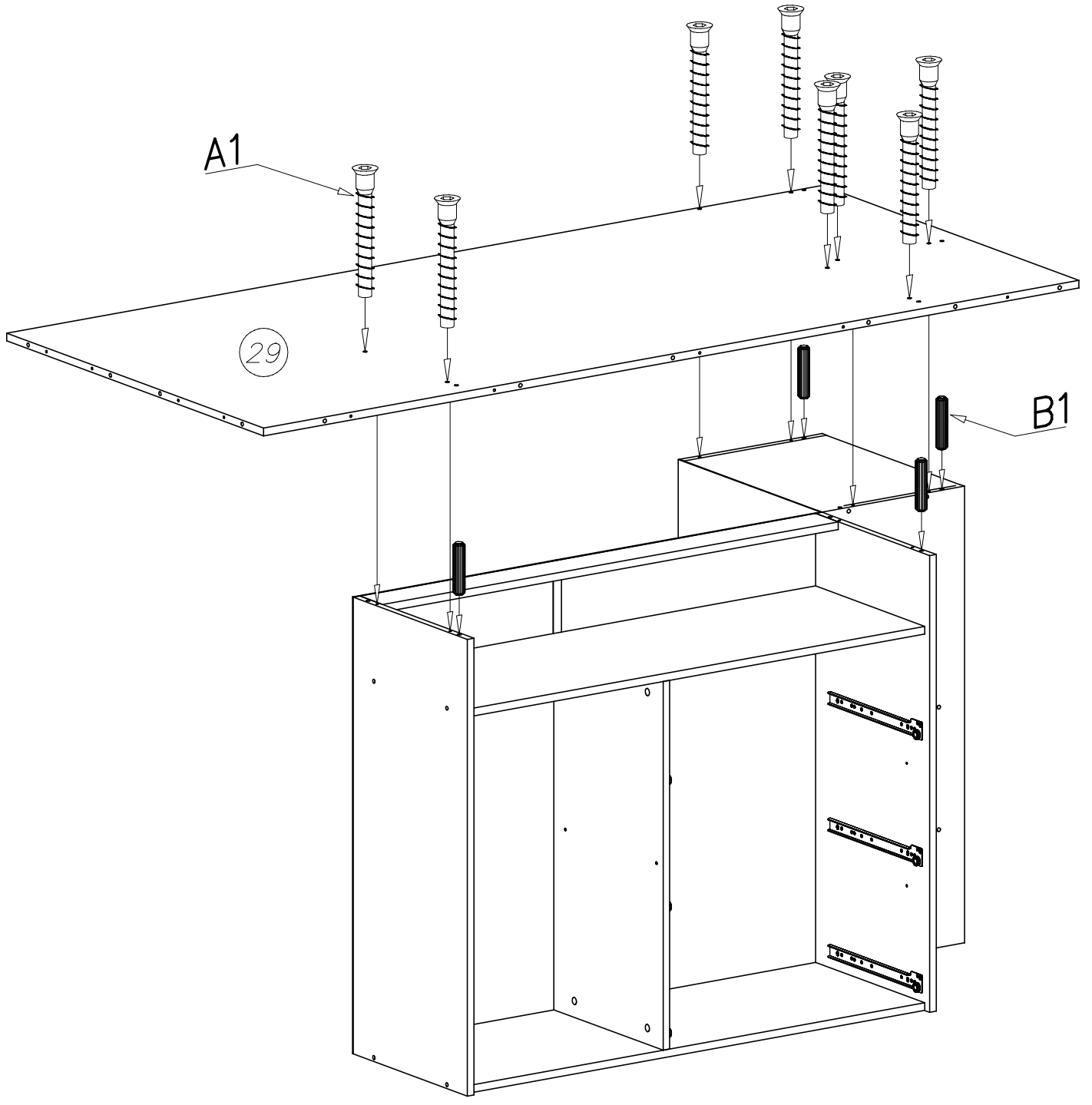
10



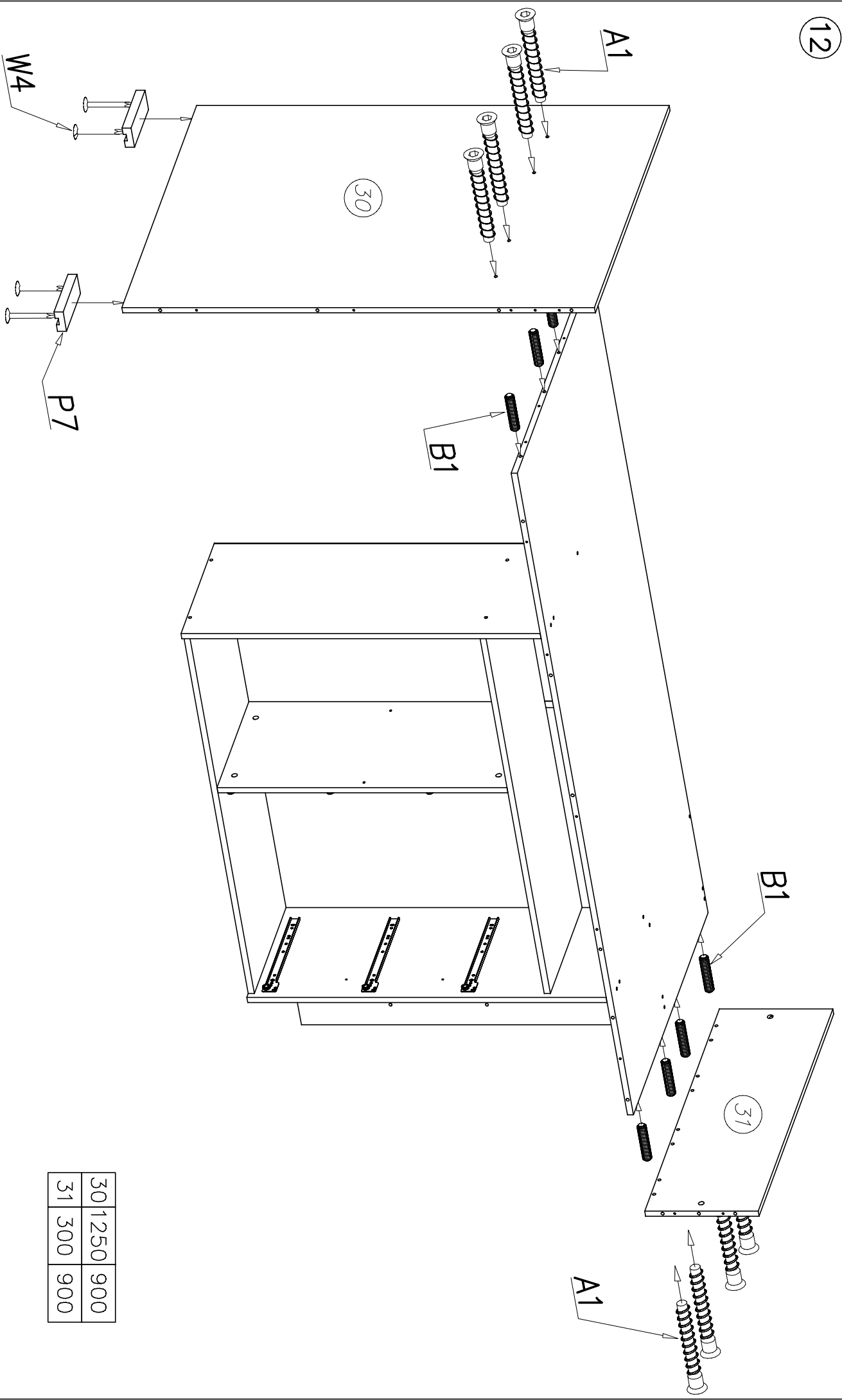
28	950	496
----	-----	-----

11

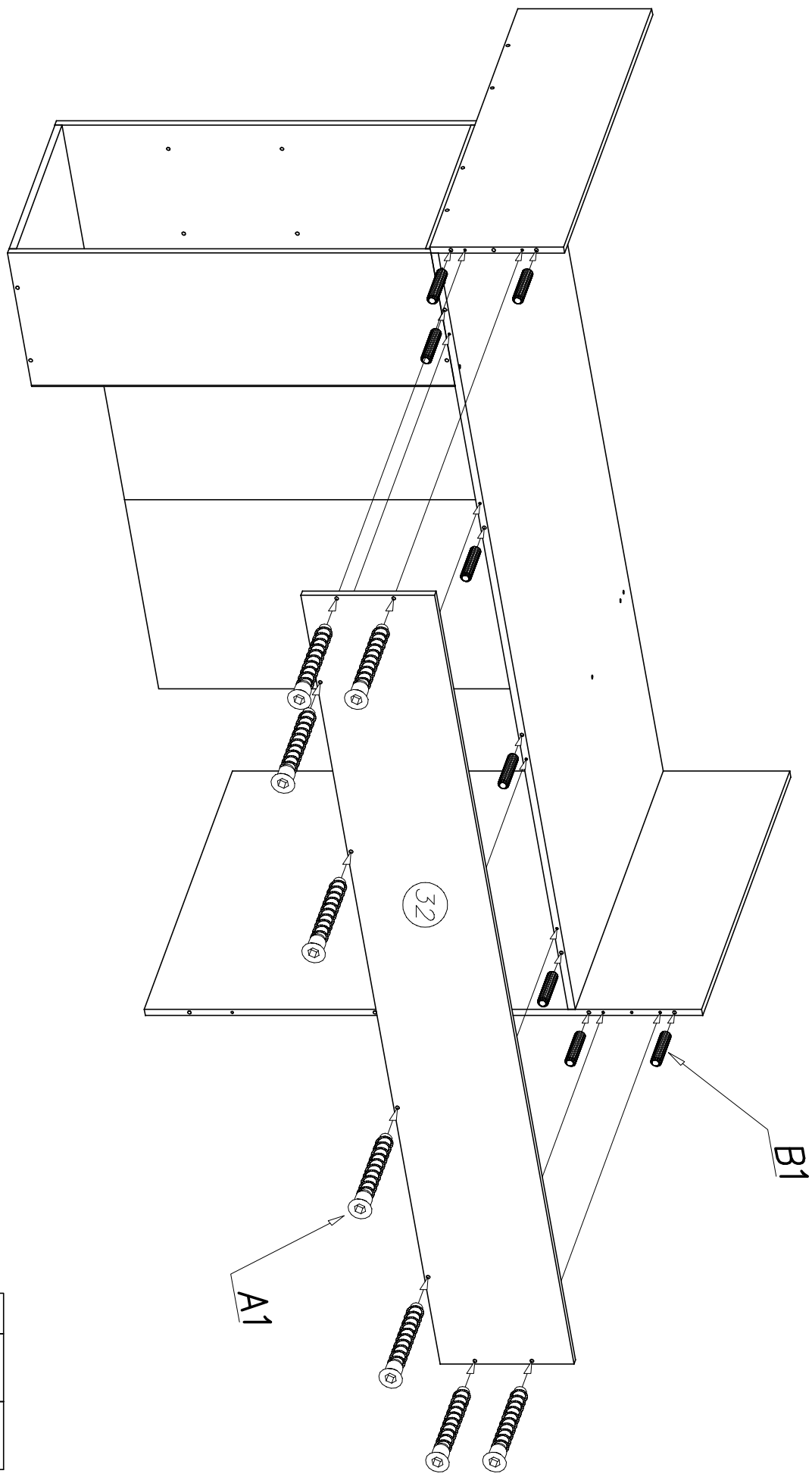
29	2000	900
----	------	-----





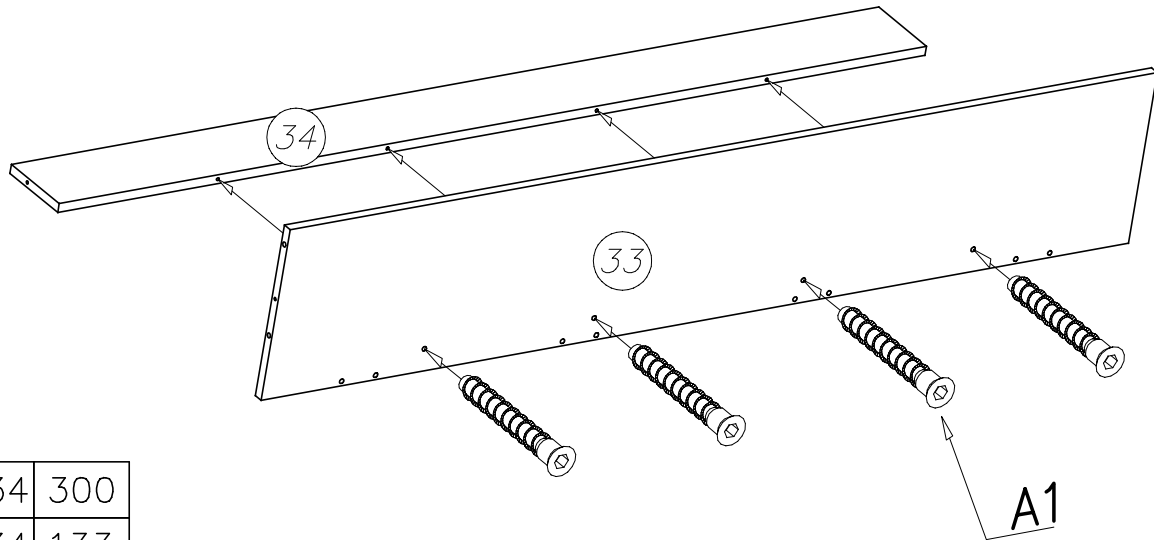


30	1250	900
31	300	900



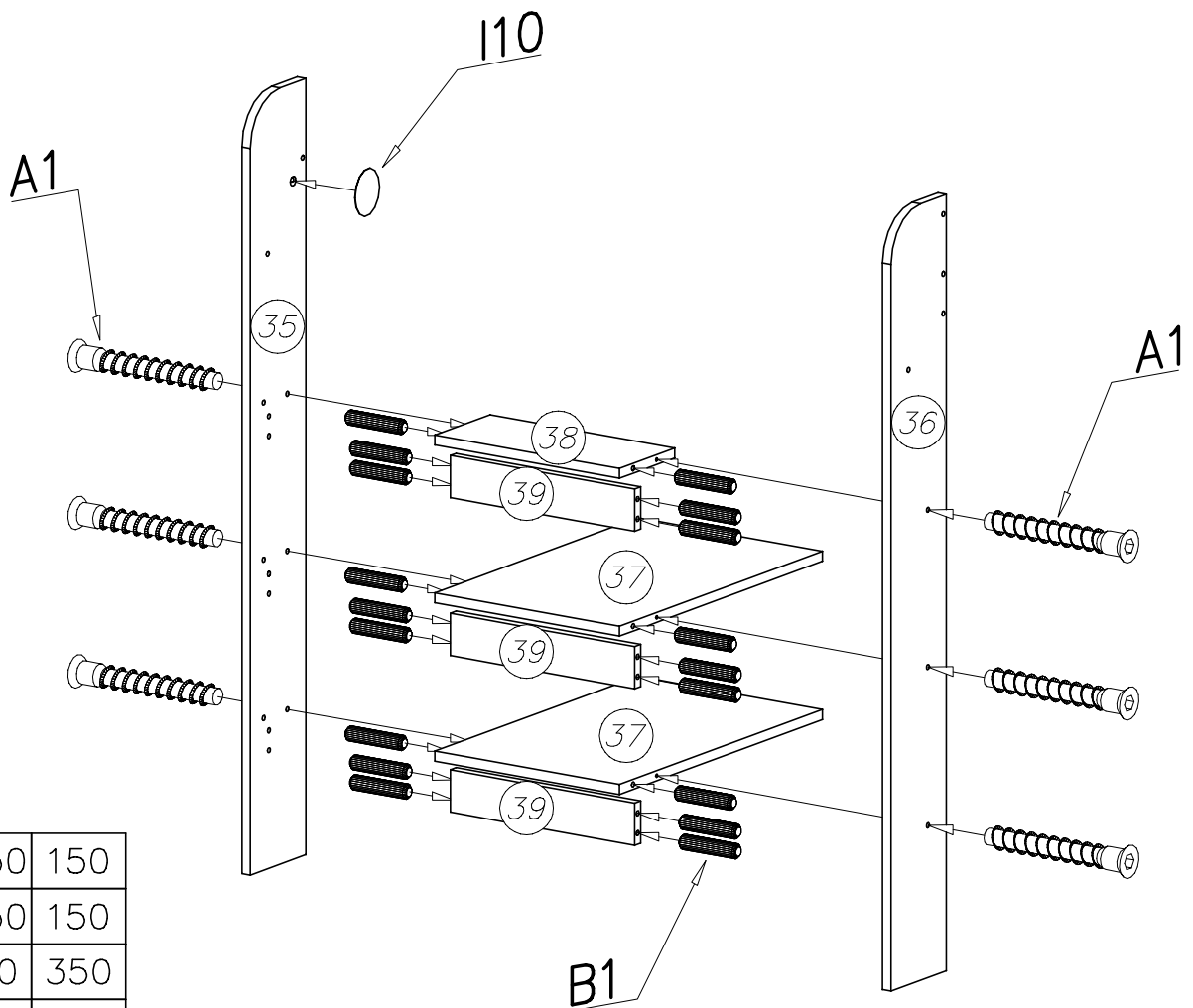
32	2033	300
----	------	-----

14

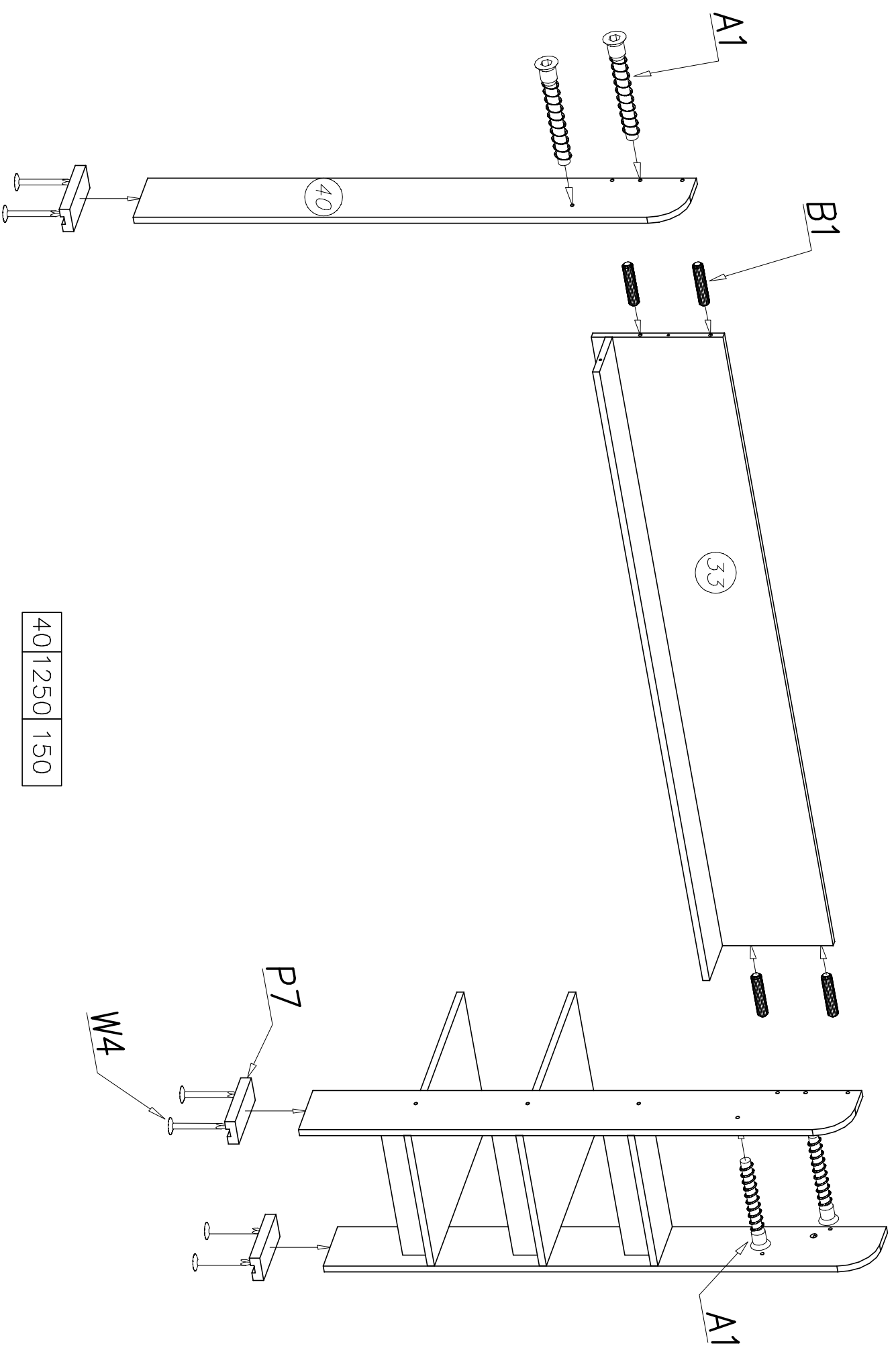


33	1634	300
34	1634	133

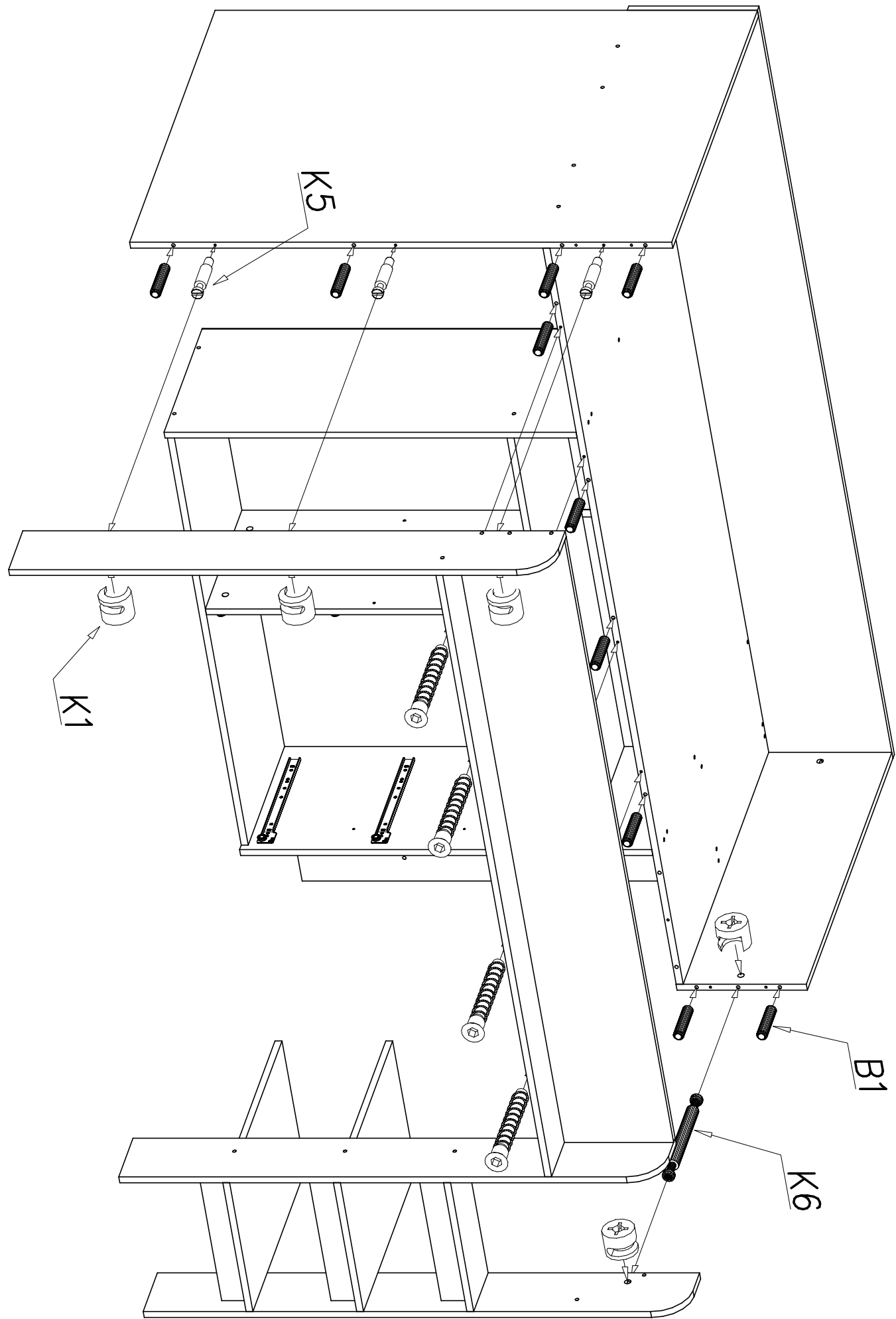
15

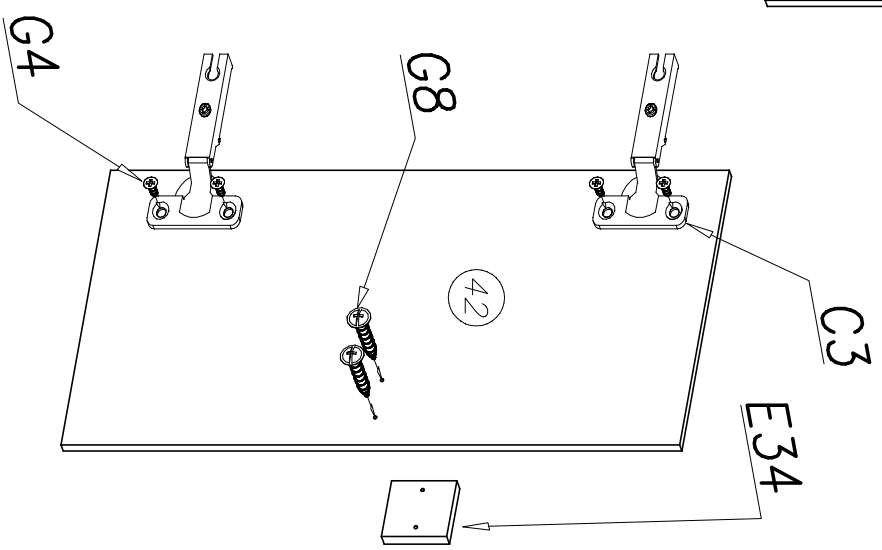
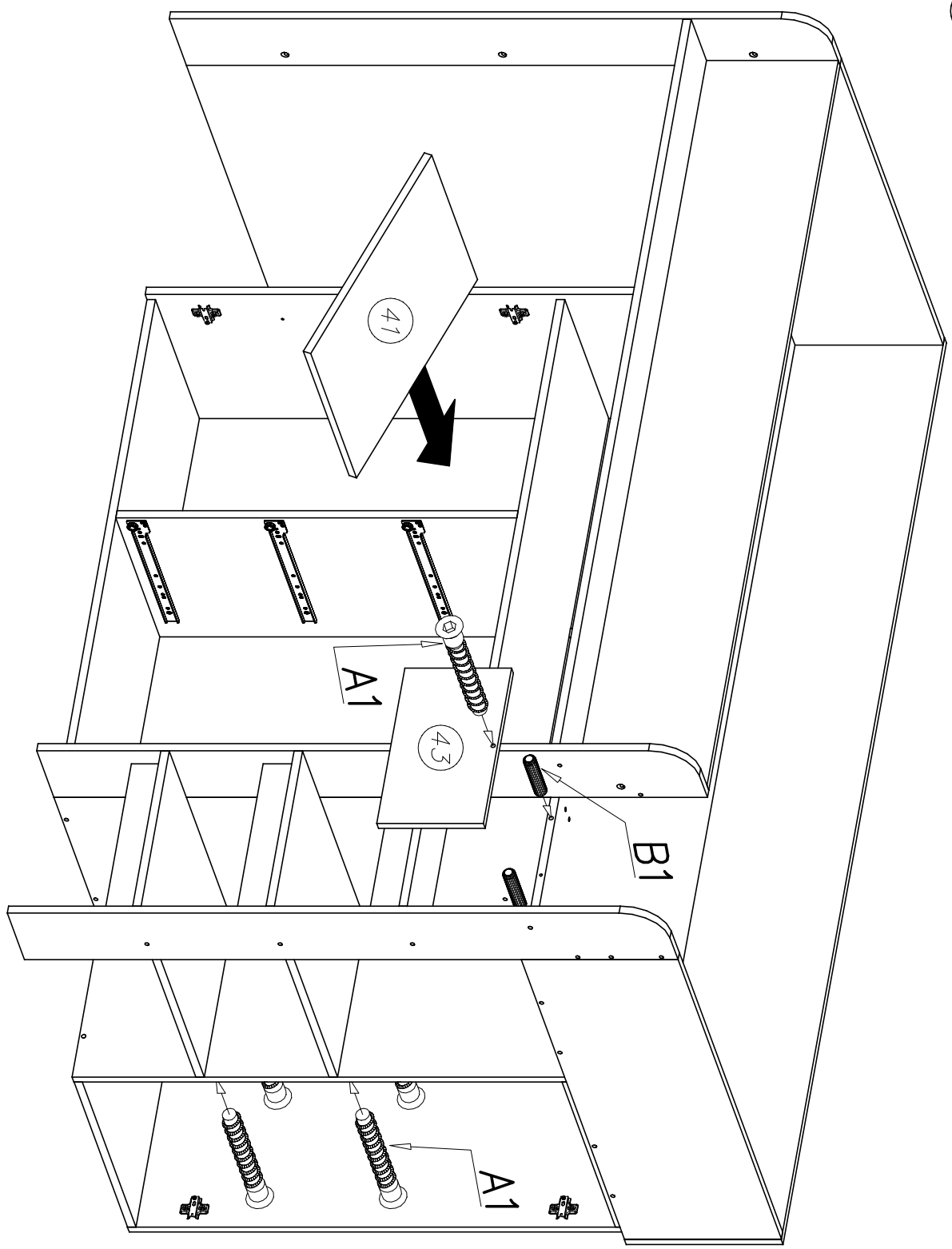


35	1250	150
36	1250	150
37	550	350
38	350	150
39	350	65

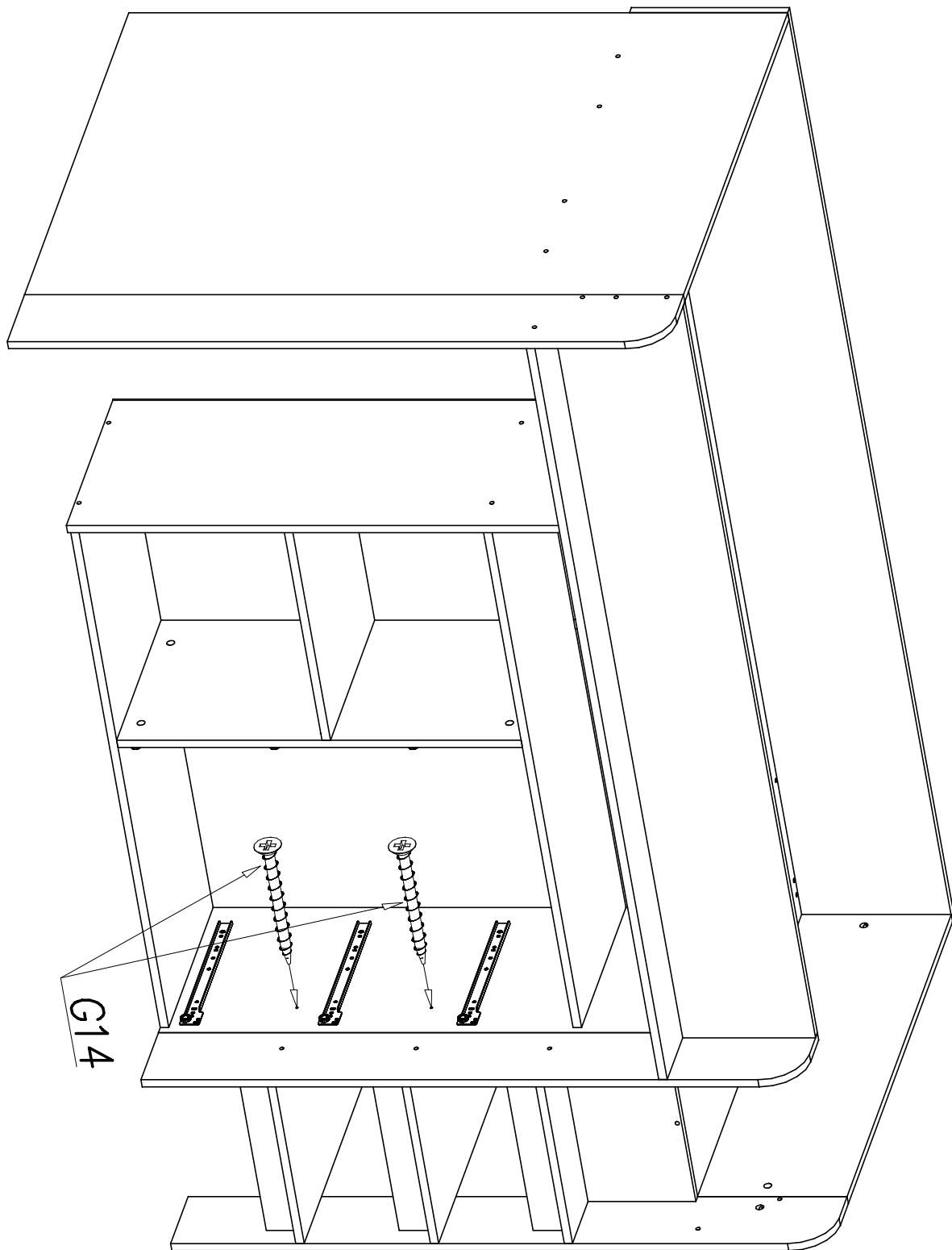


40	1250	150
----	------	-----



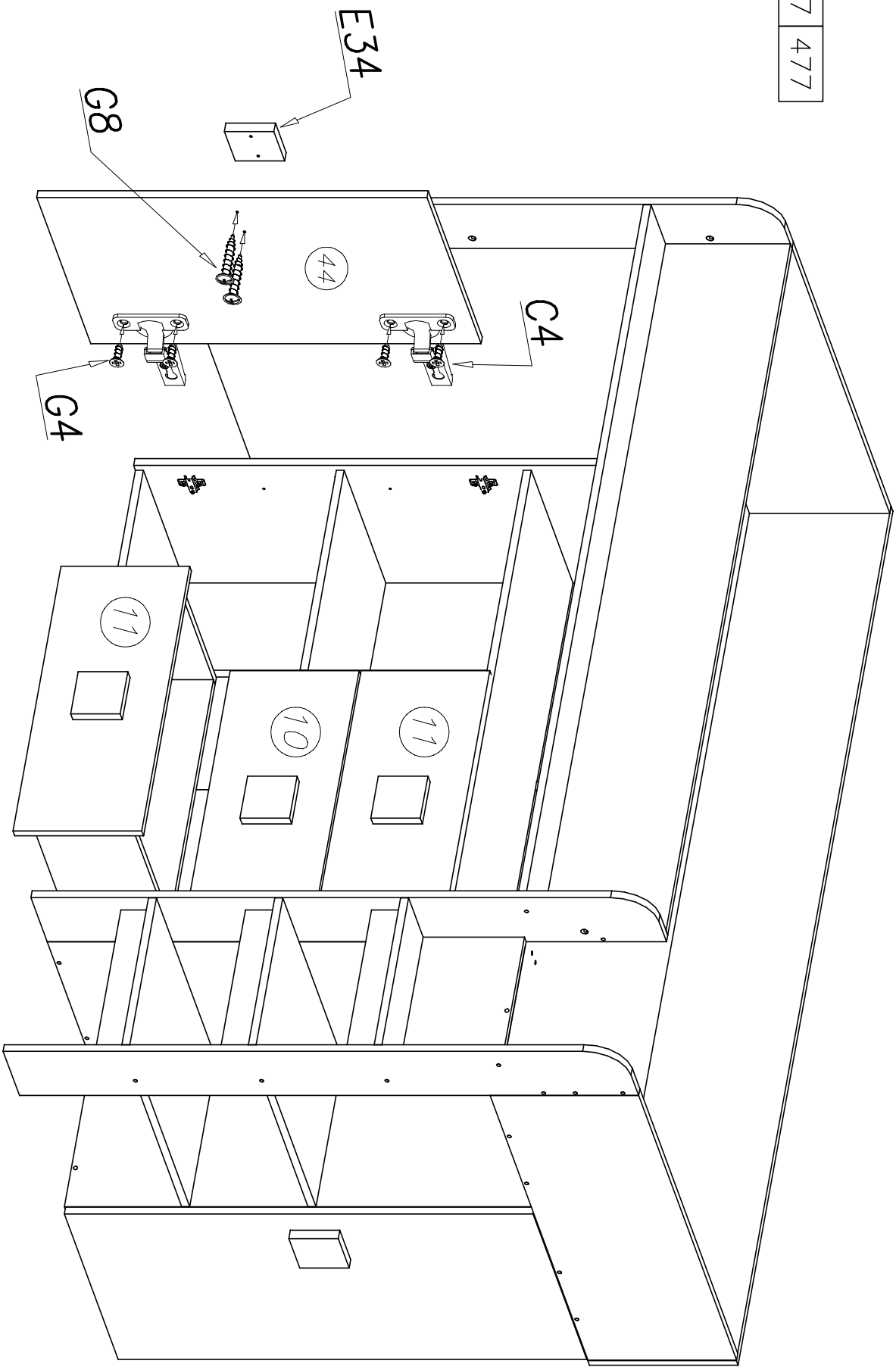


41	485	380
42	940	496
43	350	208

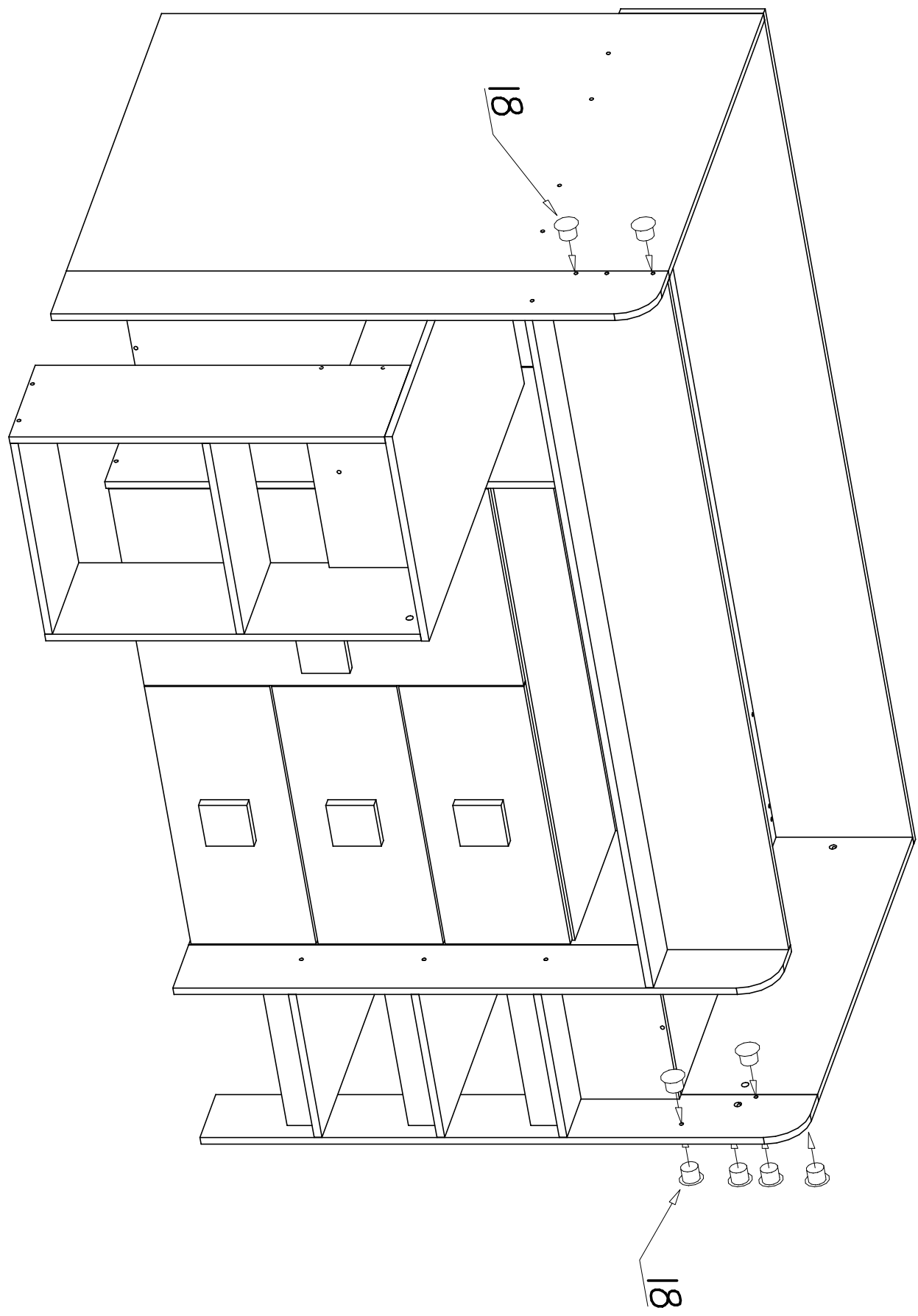


G14

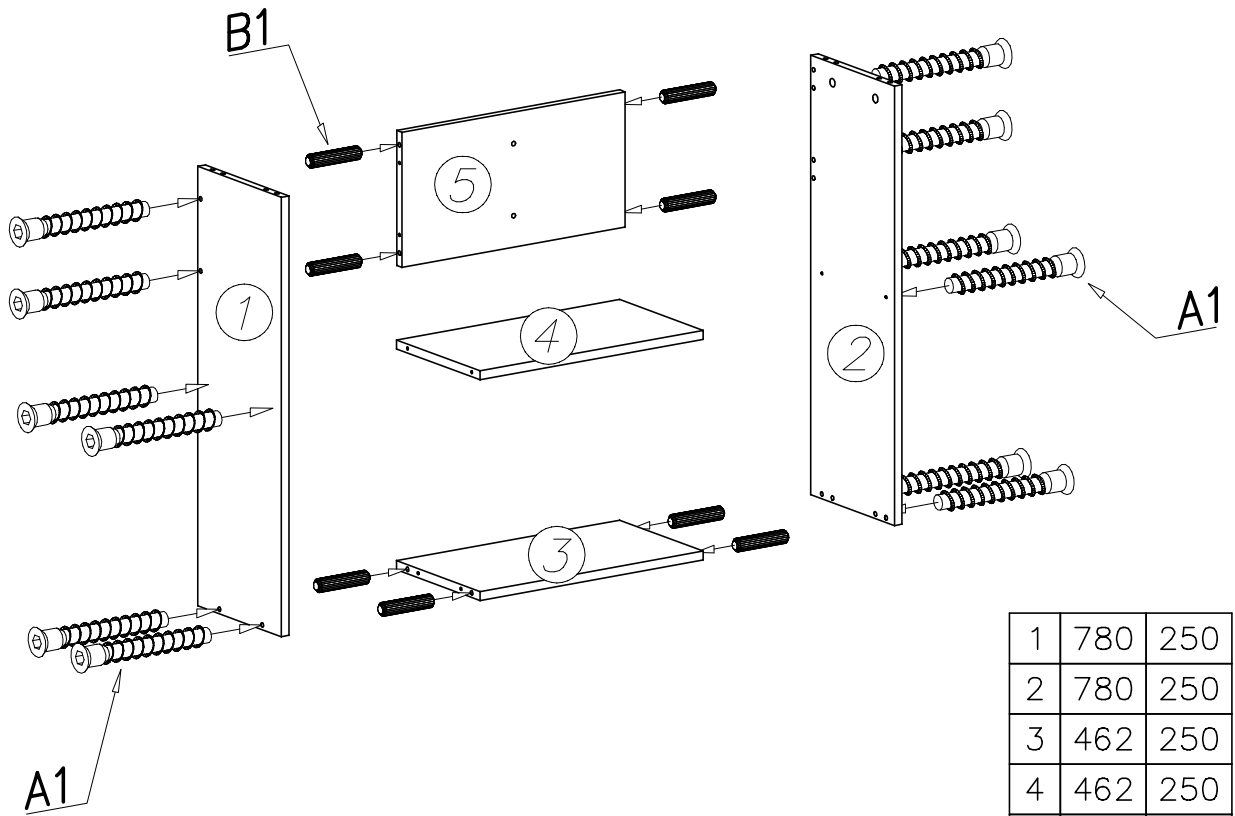
44 787 477





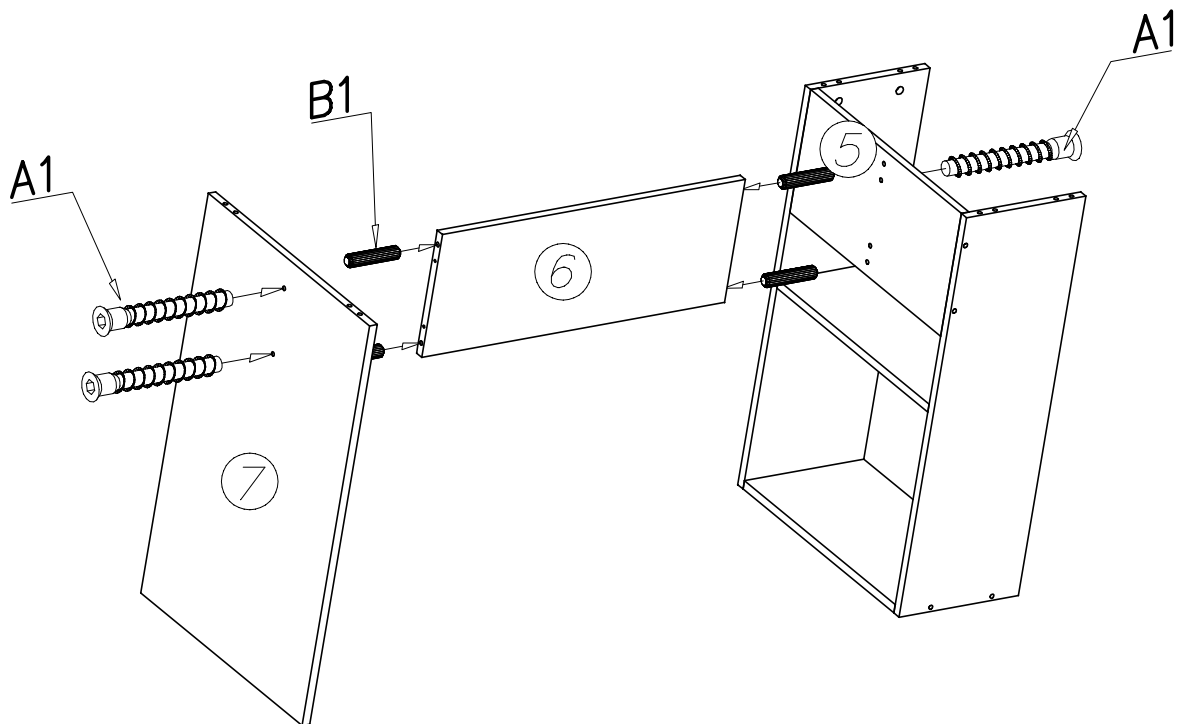


22



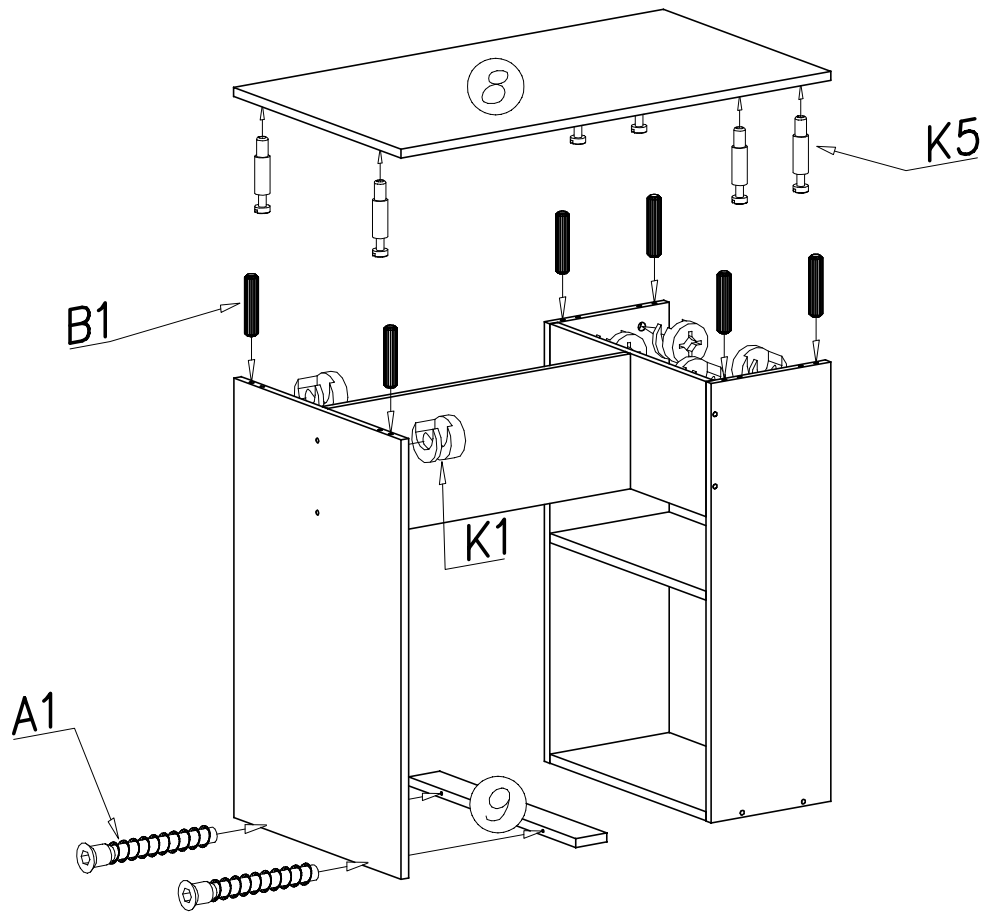
1	780	250
2	780	250
3	462	250
4	462	250
5	462	240

23

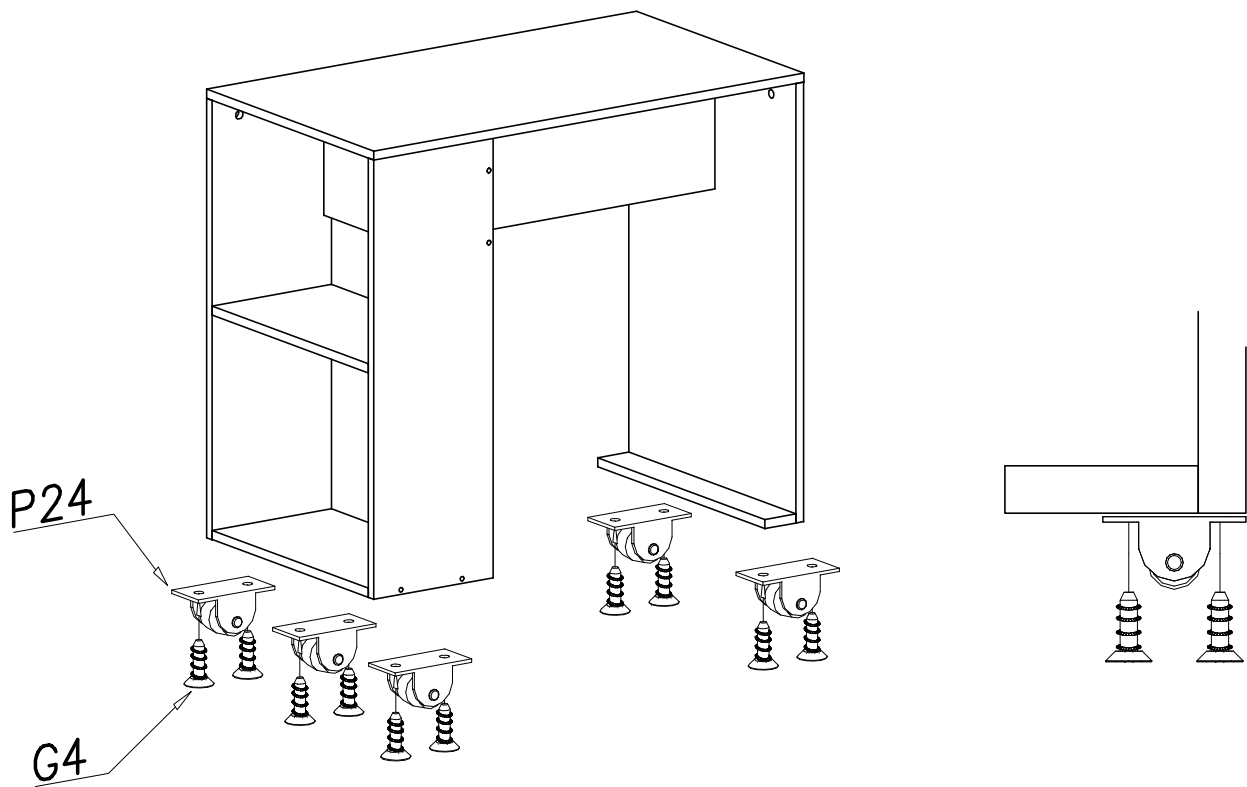


6	643	240
7	780	495

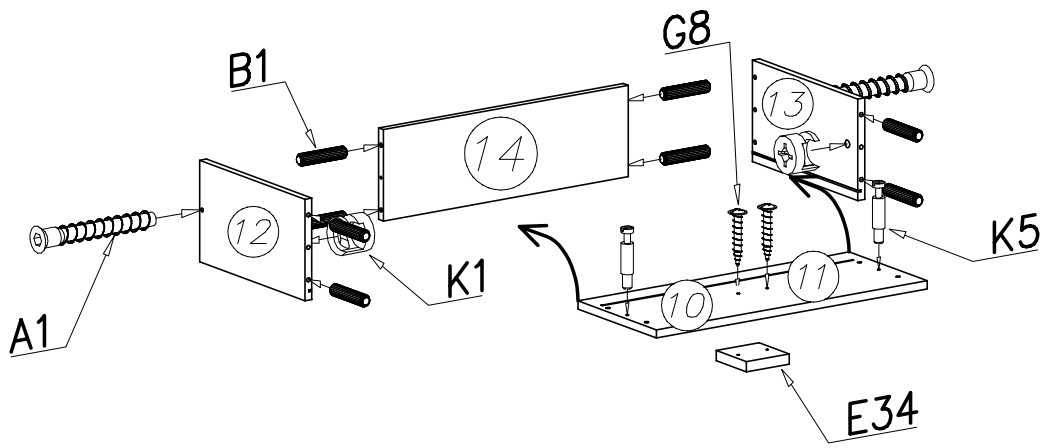
24



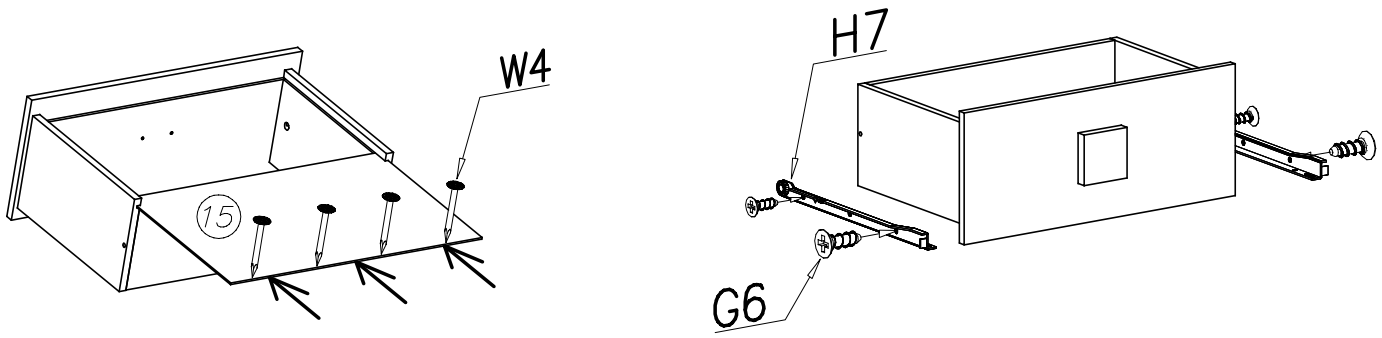
25



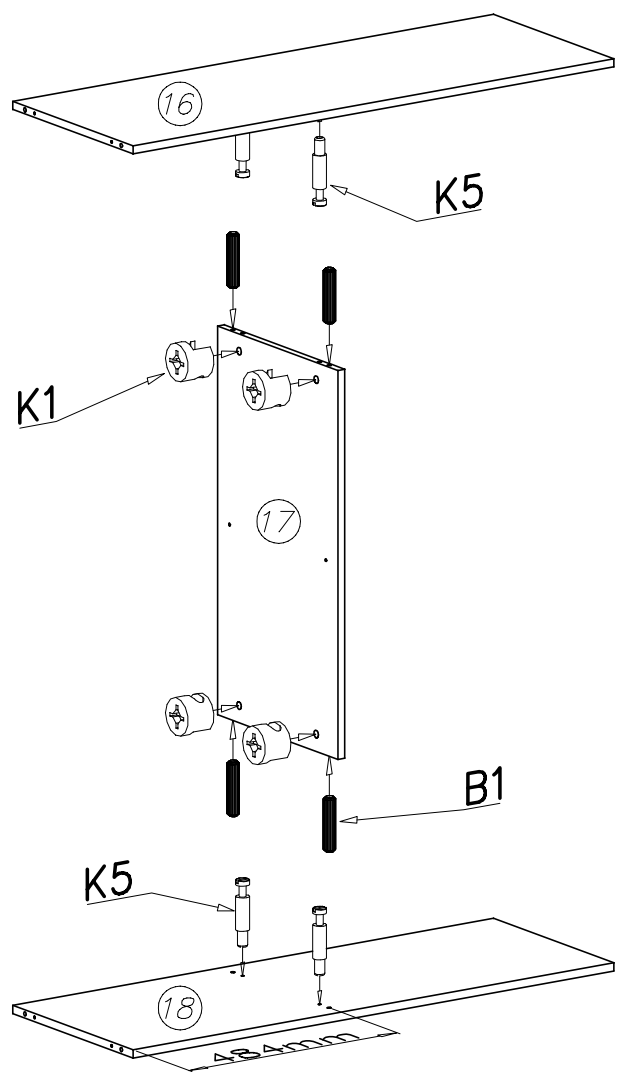
26



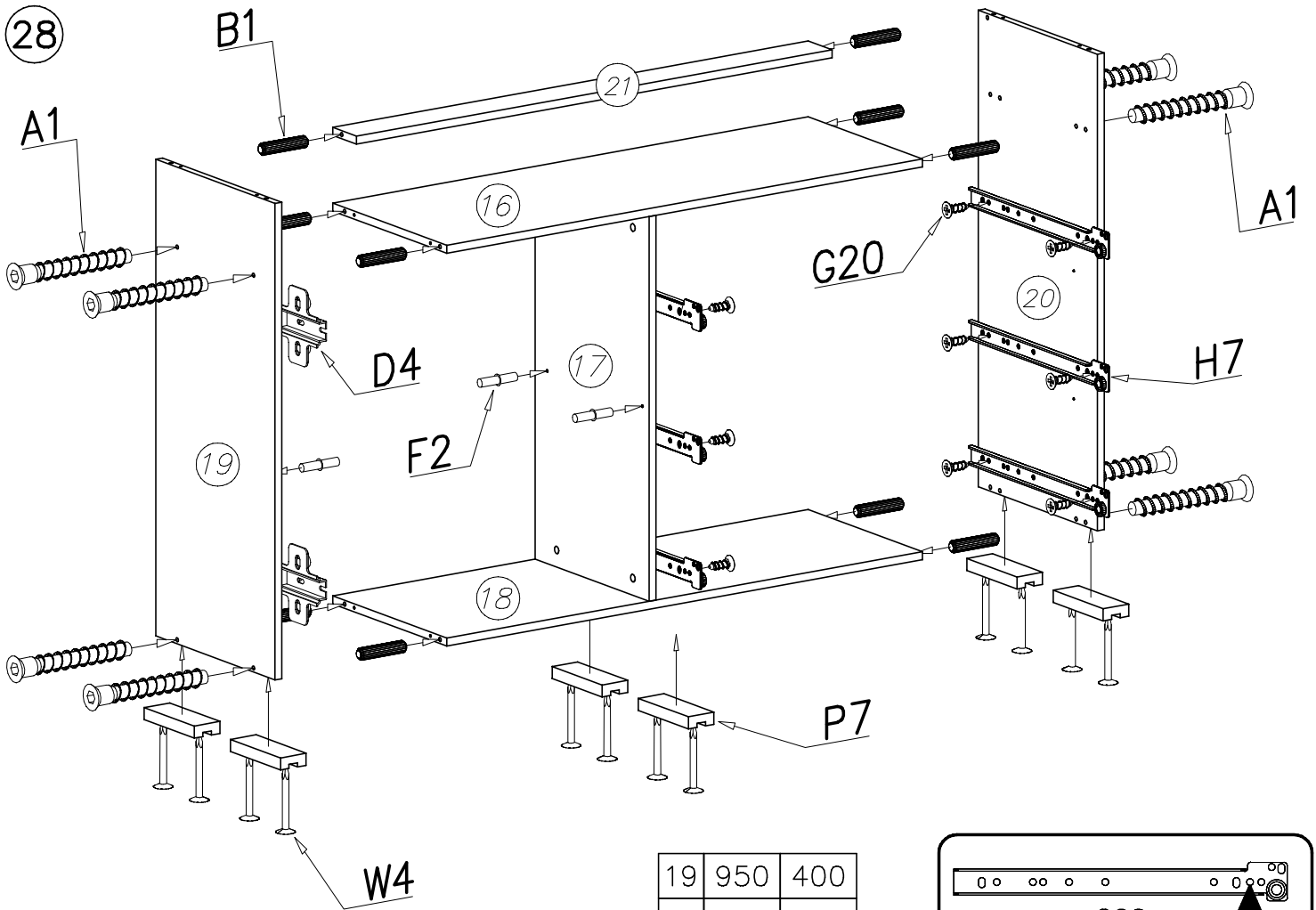
10	630	260
11	630	260
12	350	200
13	350	200
14	569	180
15	665	355



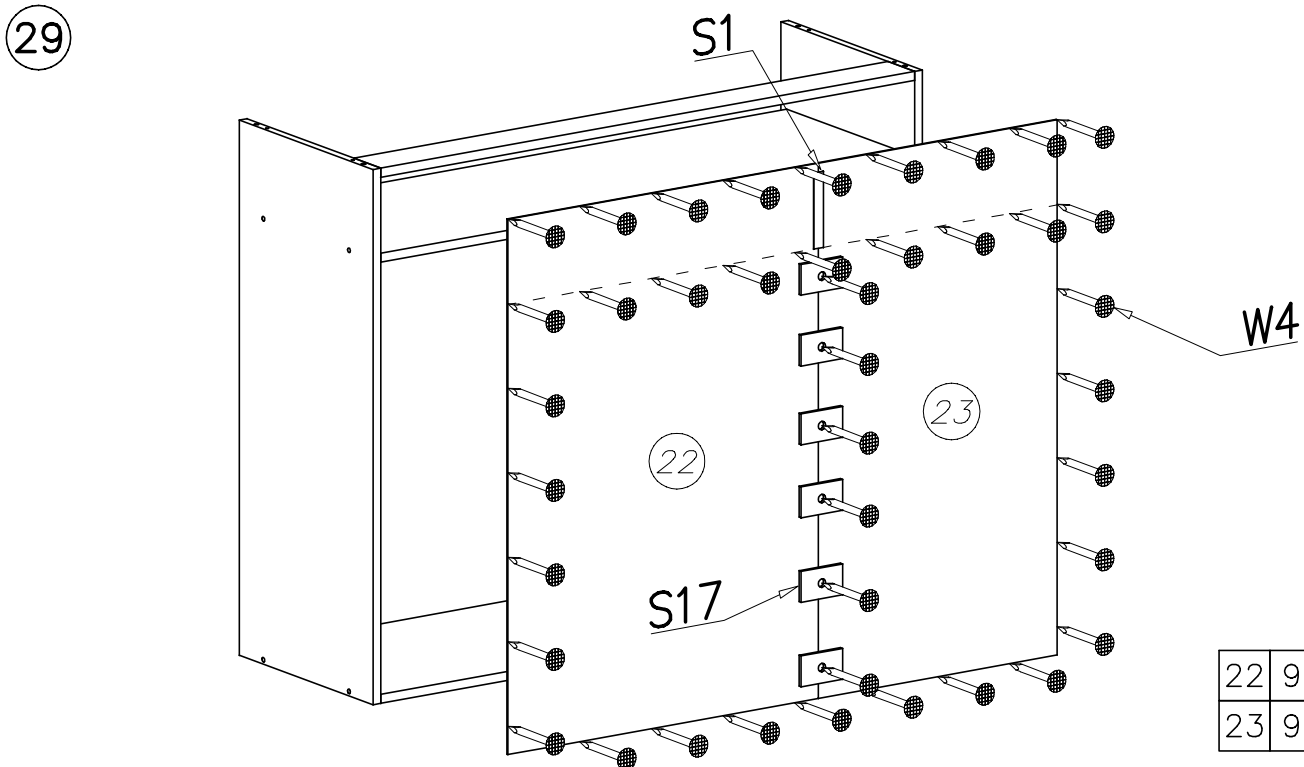
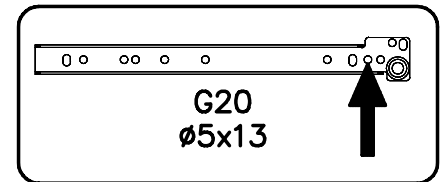
27



16	1118	383
17	767	383
18	1118	383

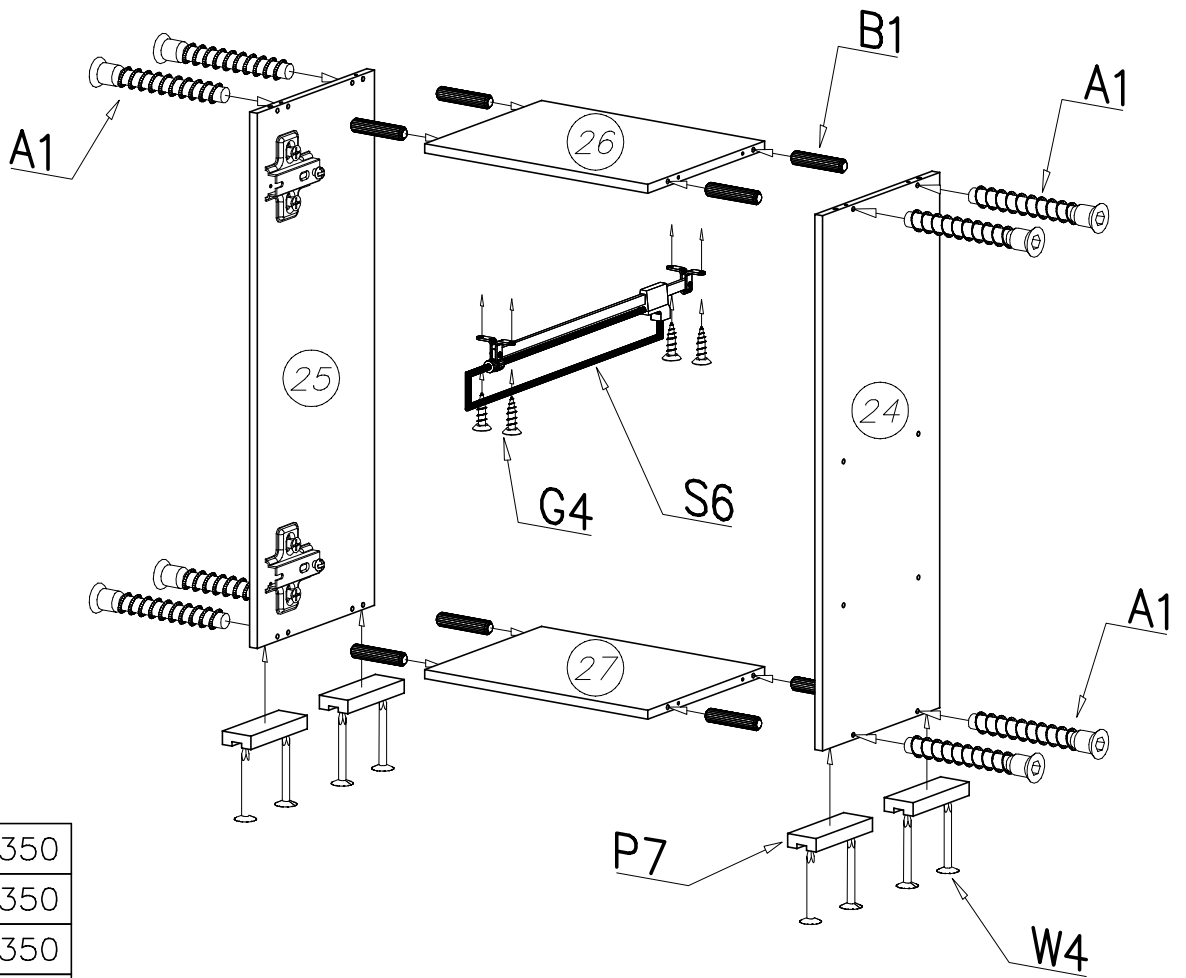


19	950	400
20	950	400
21	1118	80



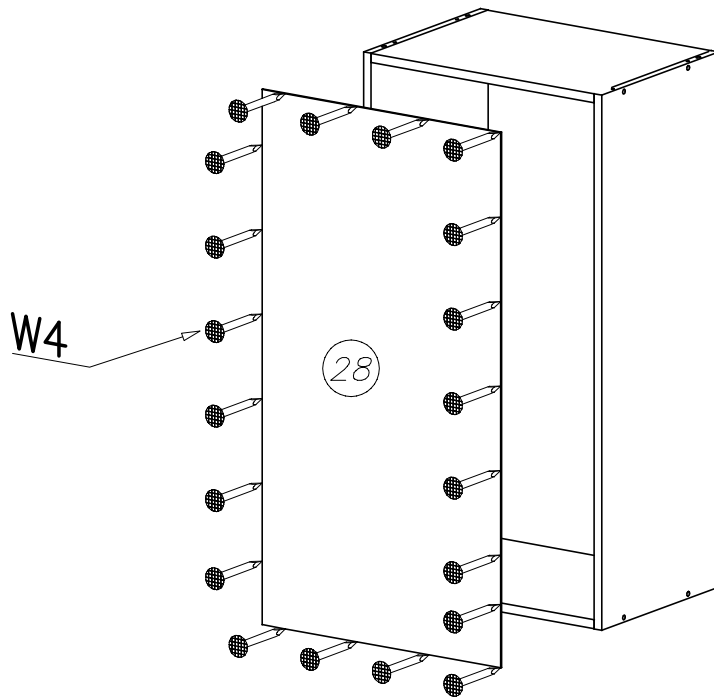
22	950	648
23	950	498

30



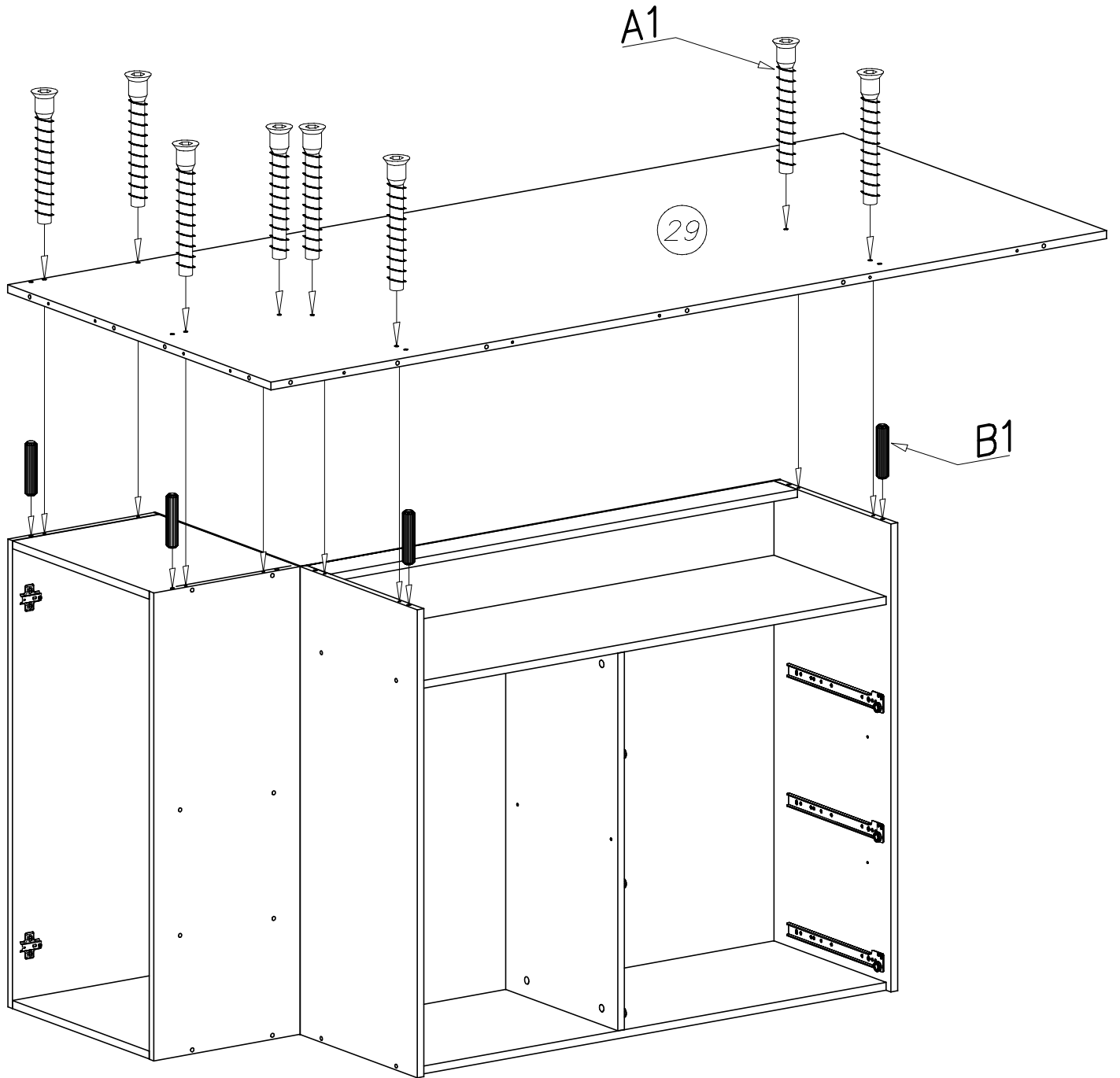
24	950	350
25	950	350
26	467	350
27	467	350

31

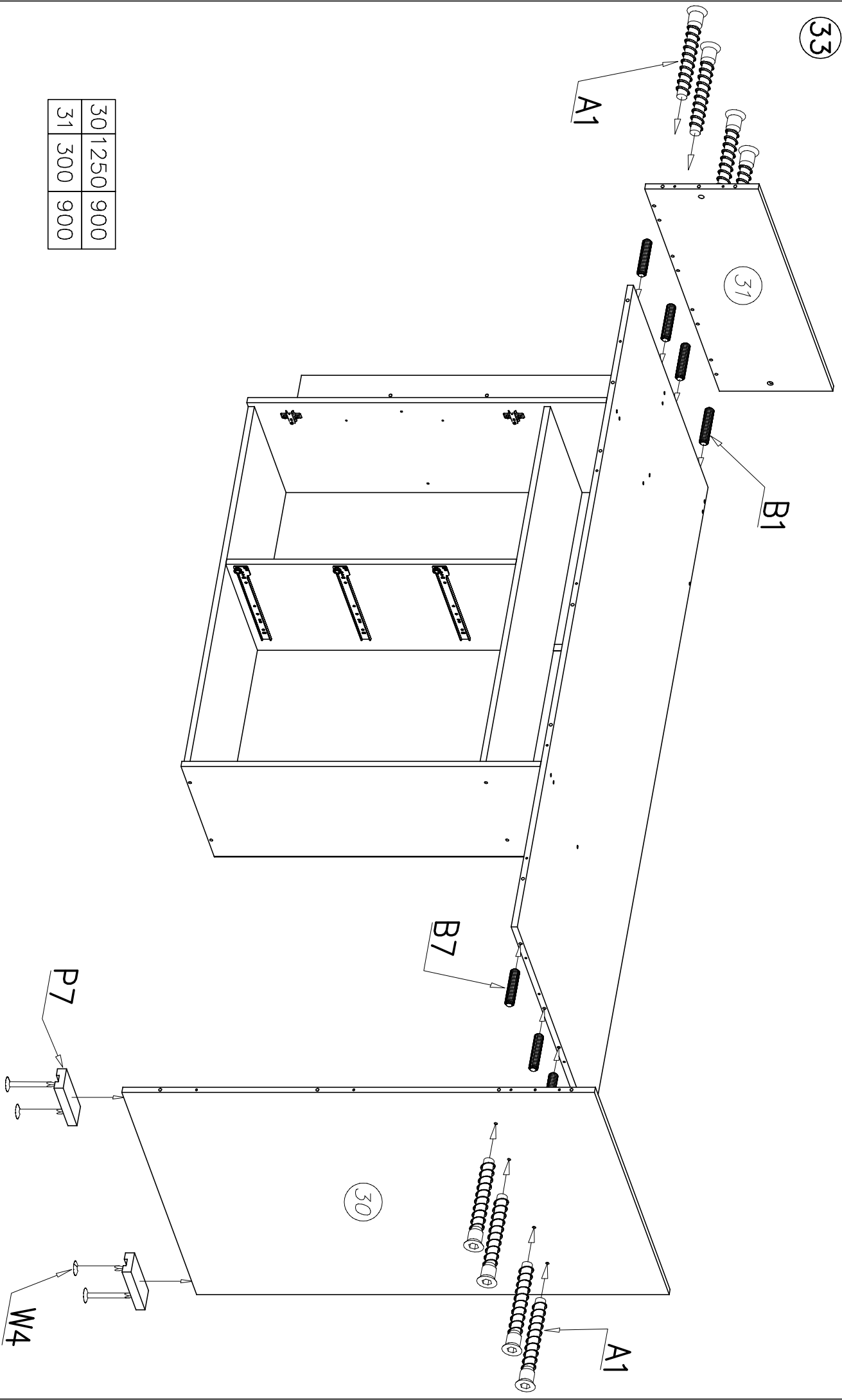


28	950	496
----	-----	-----

29	2000	900
----	------	-----

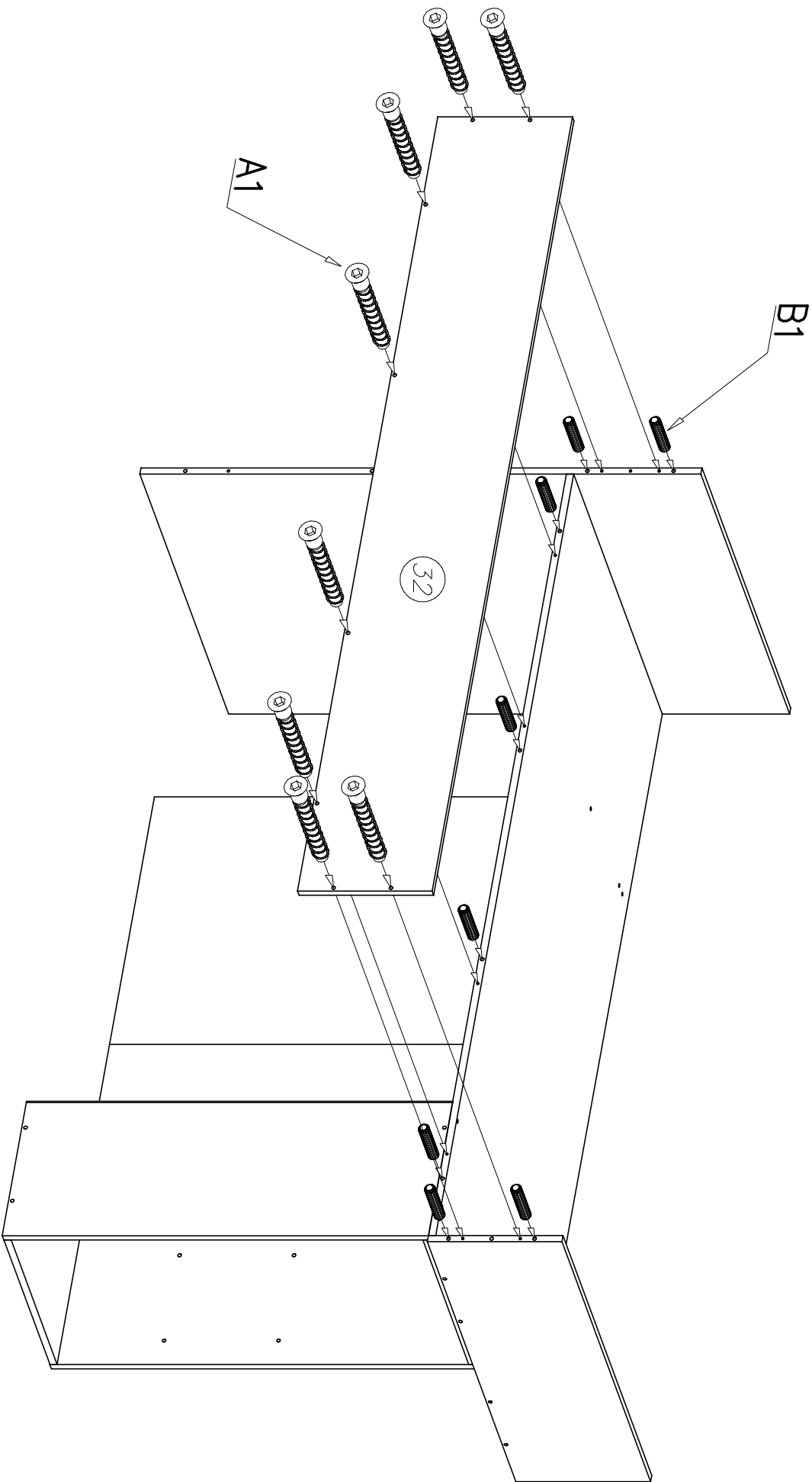


33



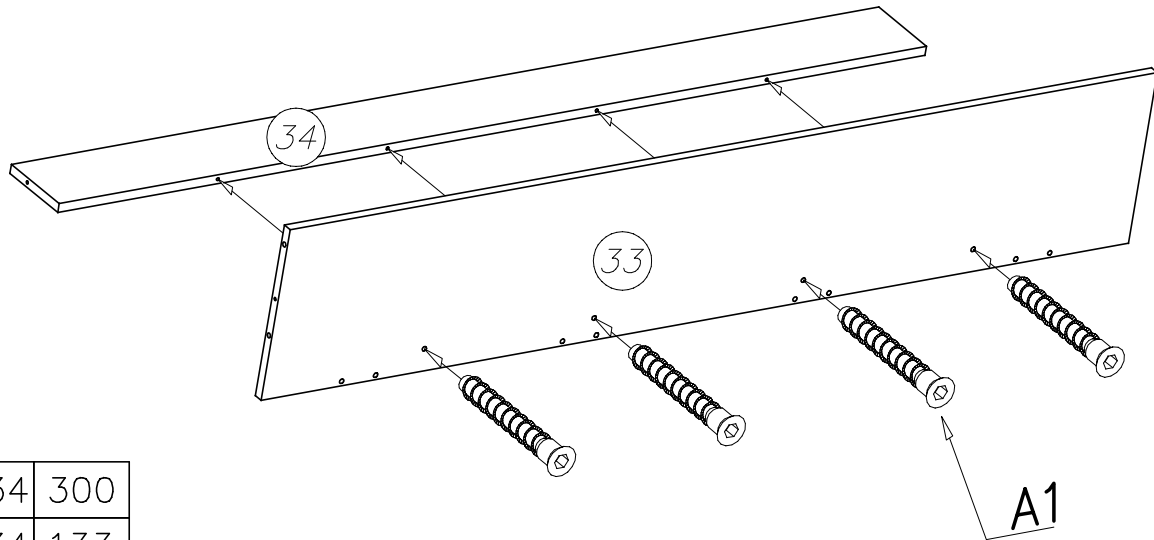
30	1250	900
31	300	900





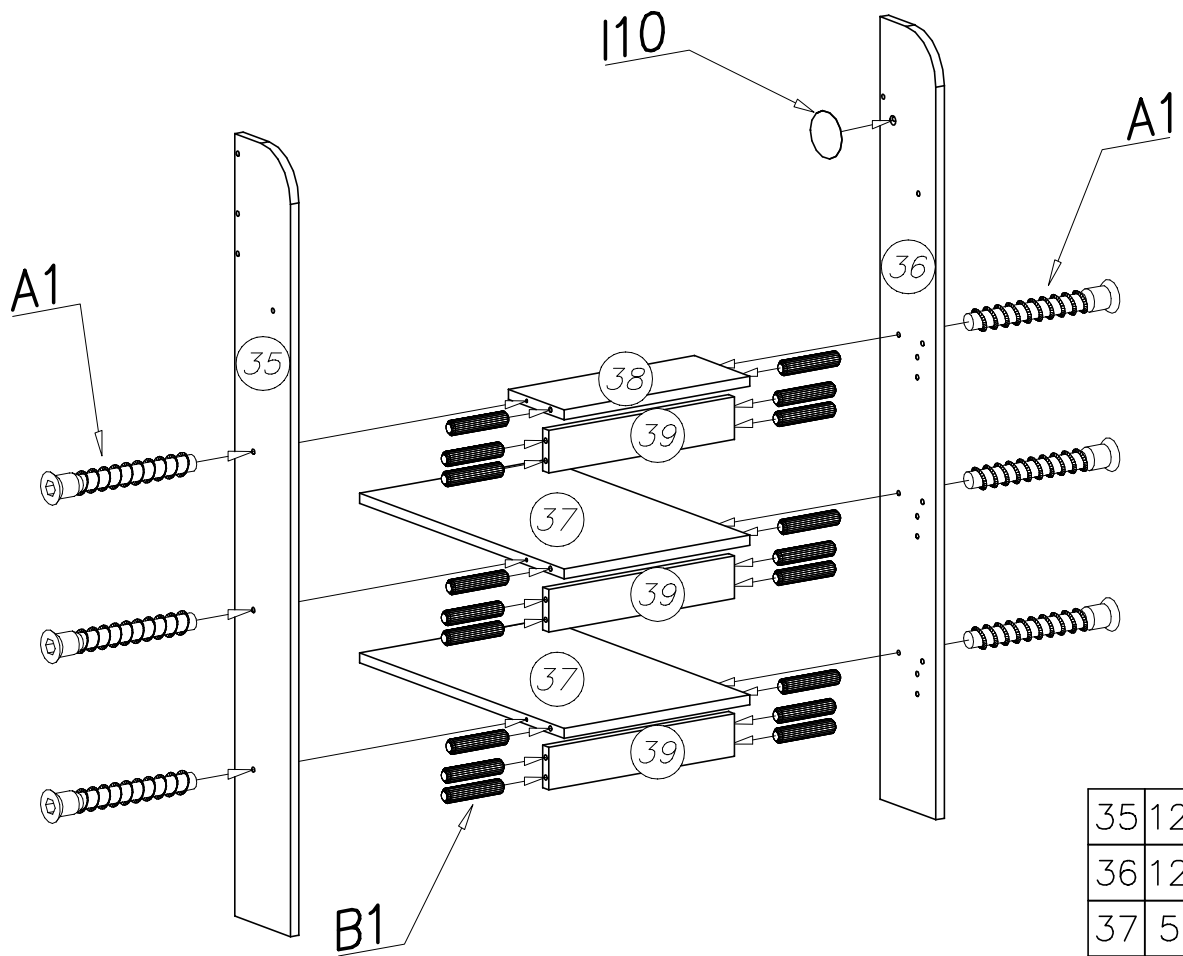
32	2033	300
----	------	-----

35



33	1634	300
34	1634	133

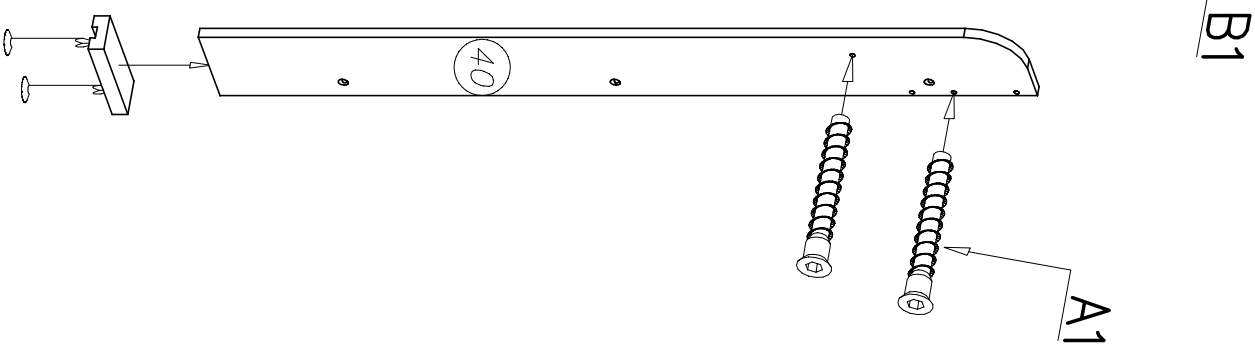
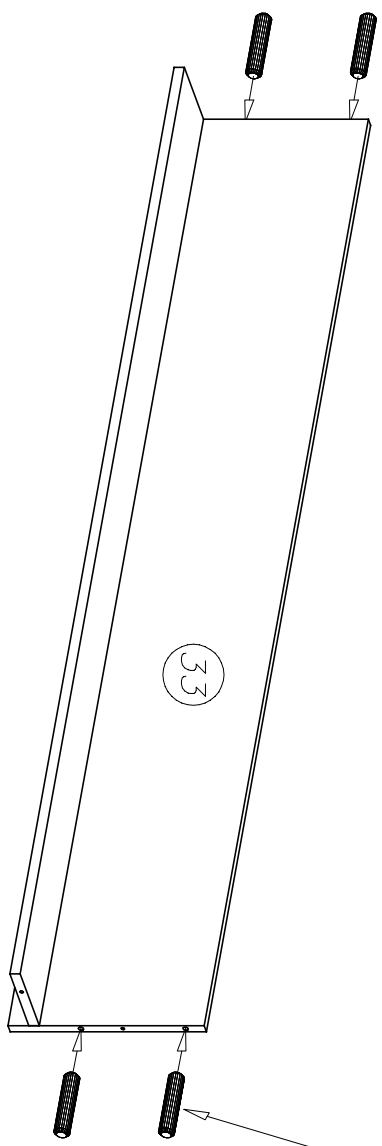
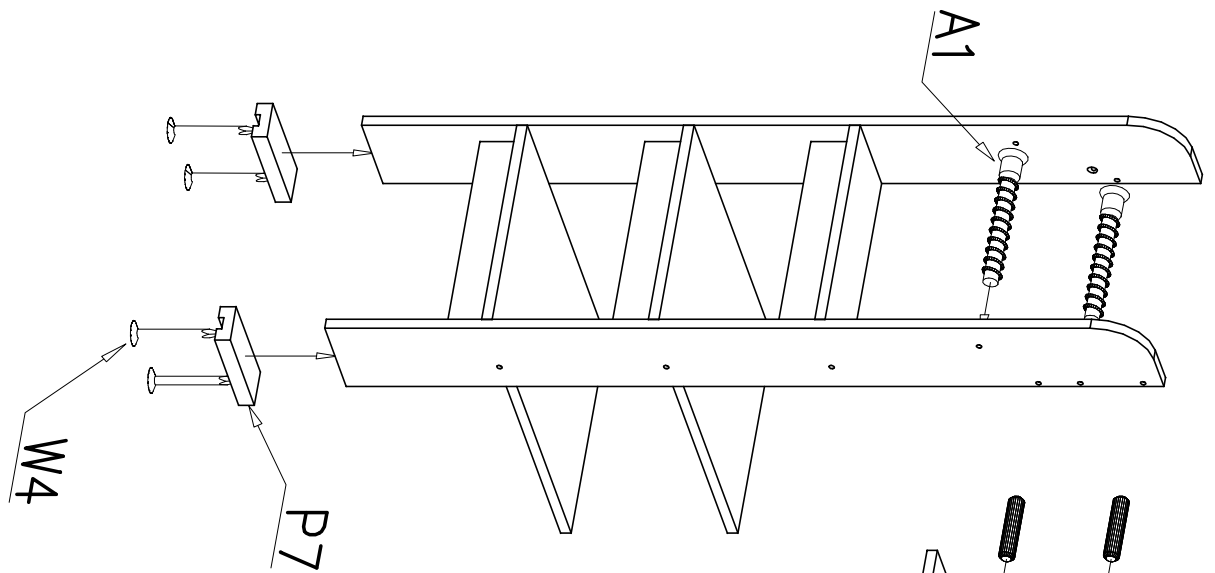
36



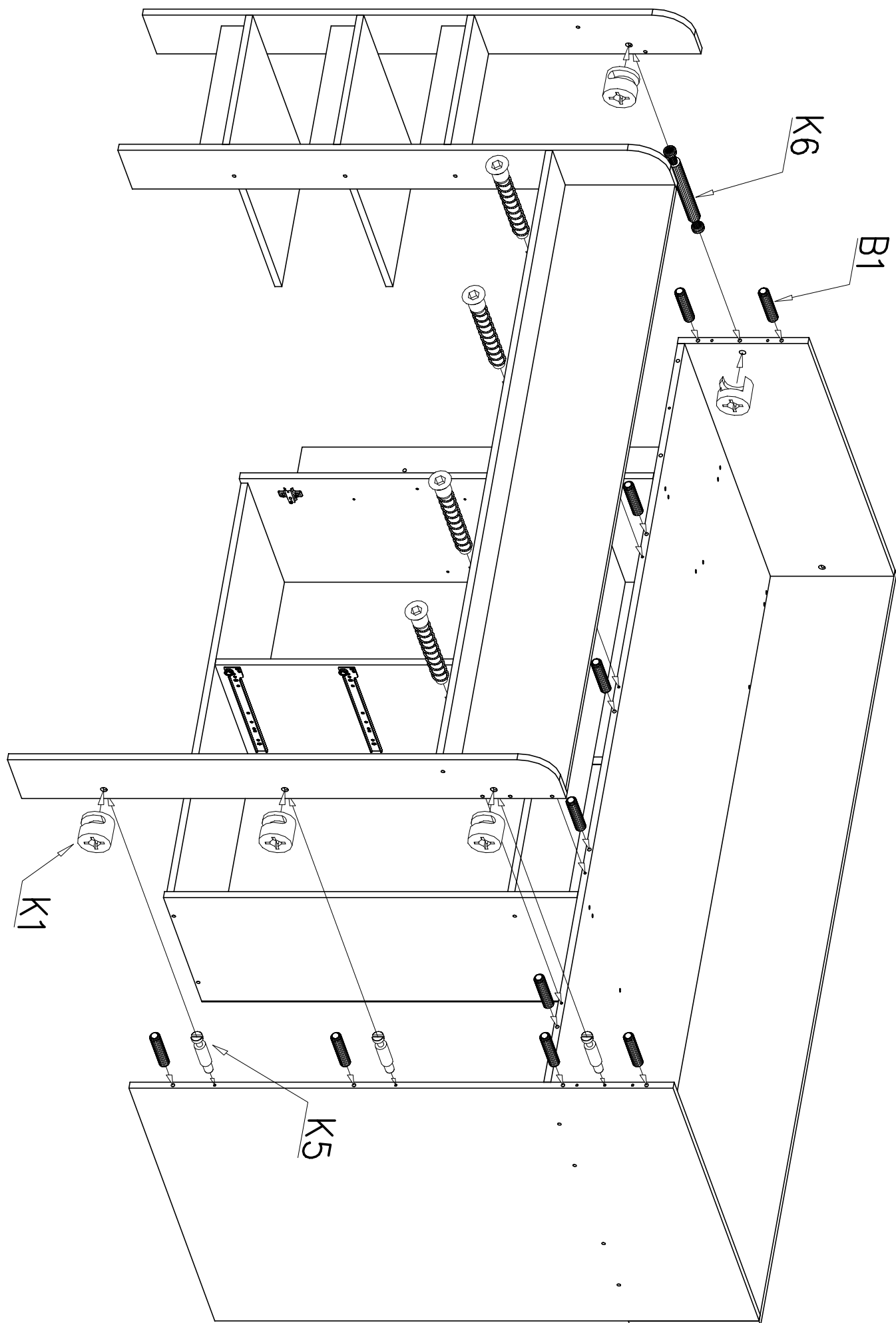
35	1250	150
36	1250	150
37	550	350
38	350	150
39	350	65

The length of the projecting pin when pockets are not checked does not exceed 0.10 mm.

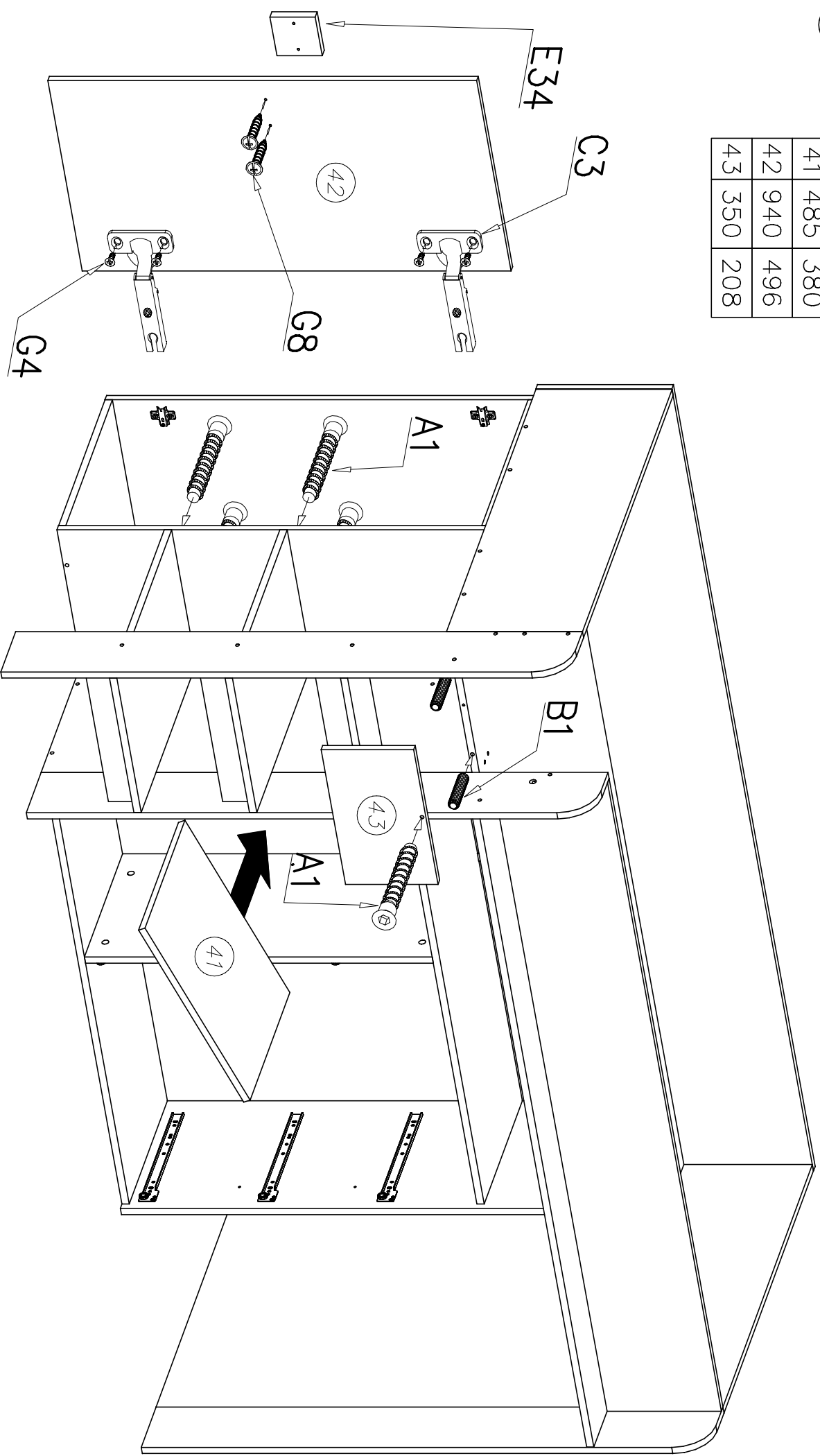
37

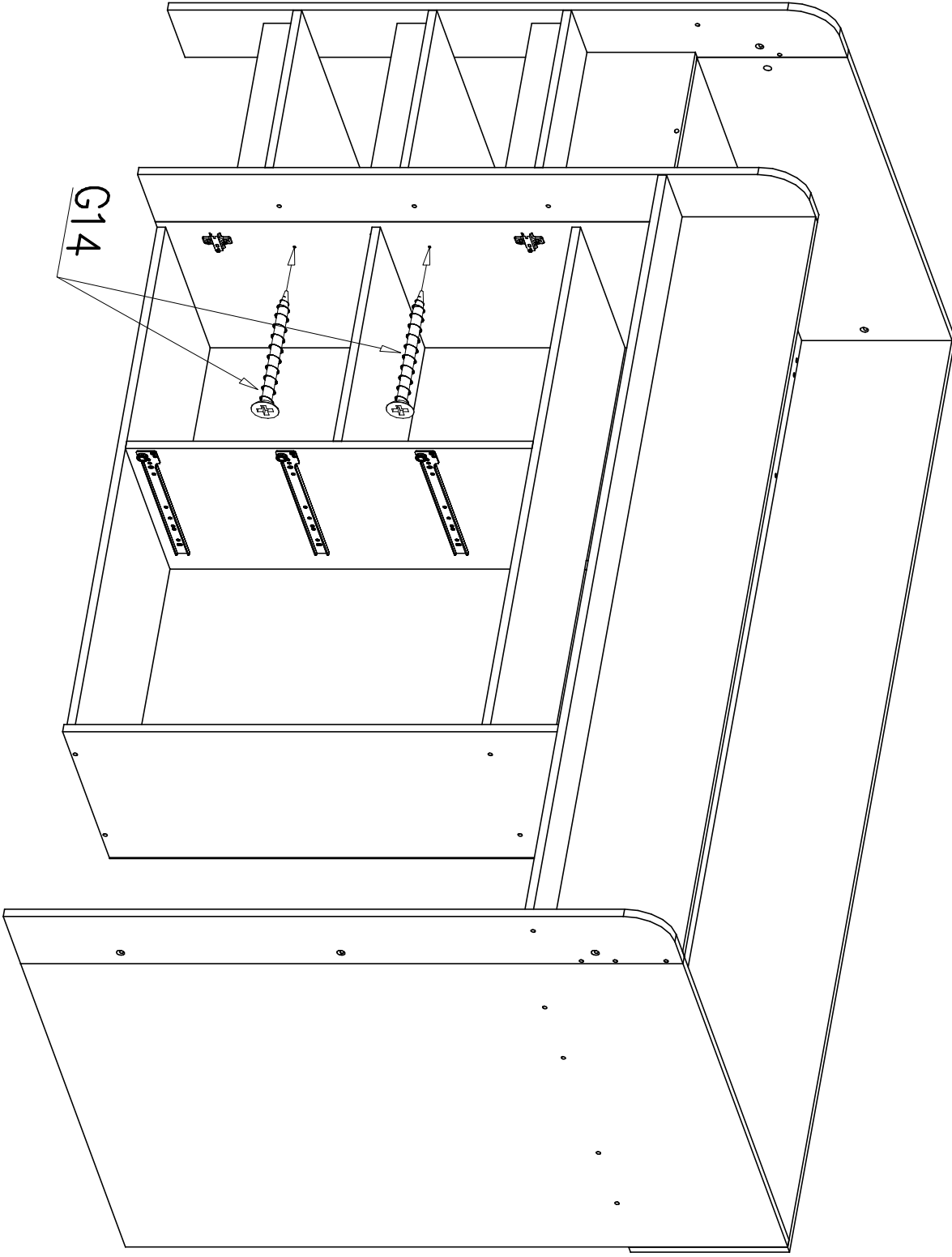


40	1250	150
----	------	-----



41	485	380
42	940	496
43	350	208





44 787 477

