

# Q-121

(1)X1



(2)X1



(3)X1



(4)X1



(5)X1



(6)X5



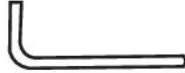
(7)X4



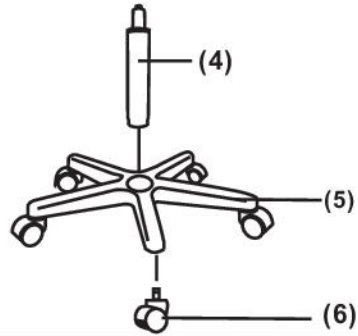
(8)X4



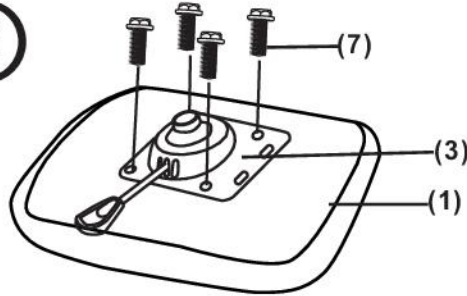
(9)X1



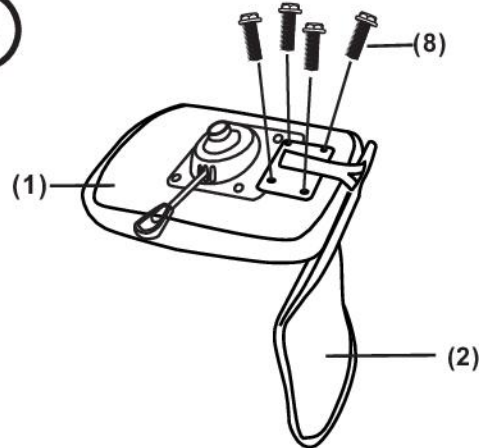
①



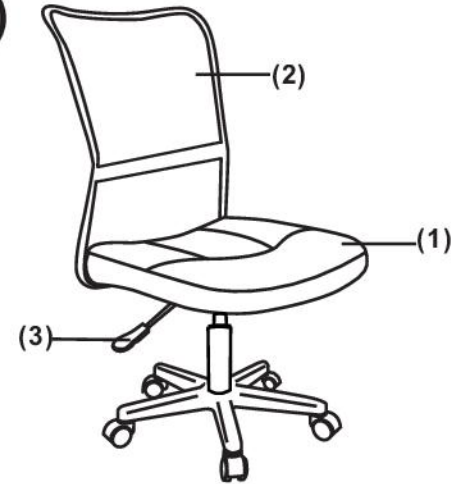
②



③



④



⑤

