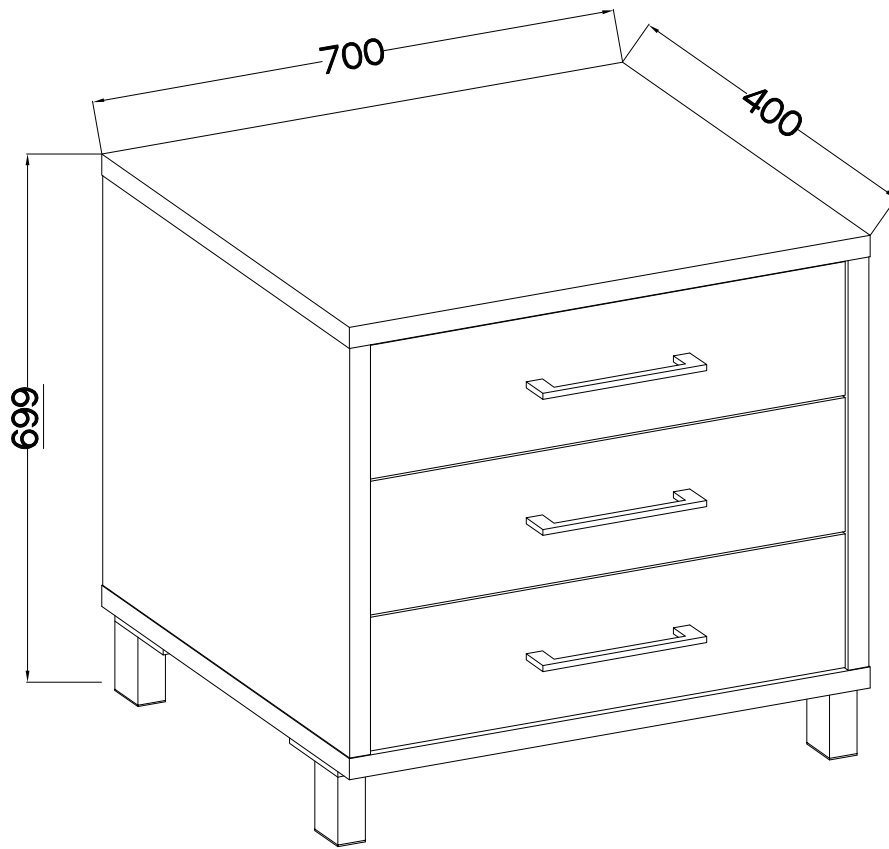
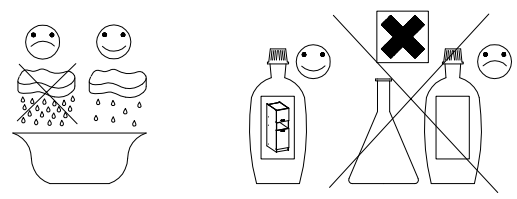
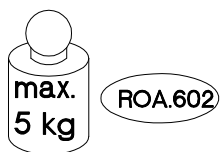
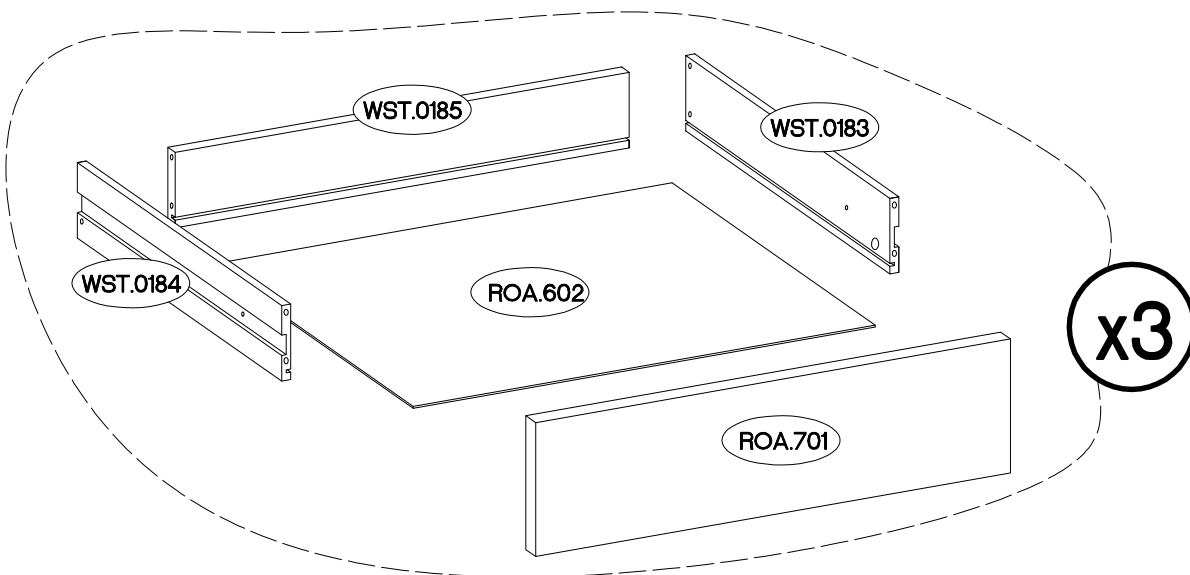
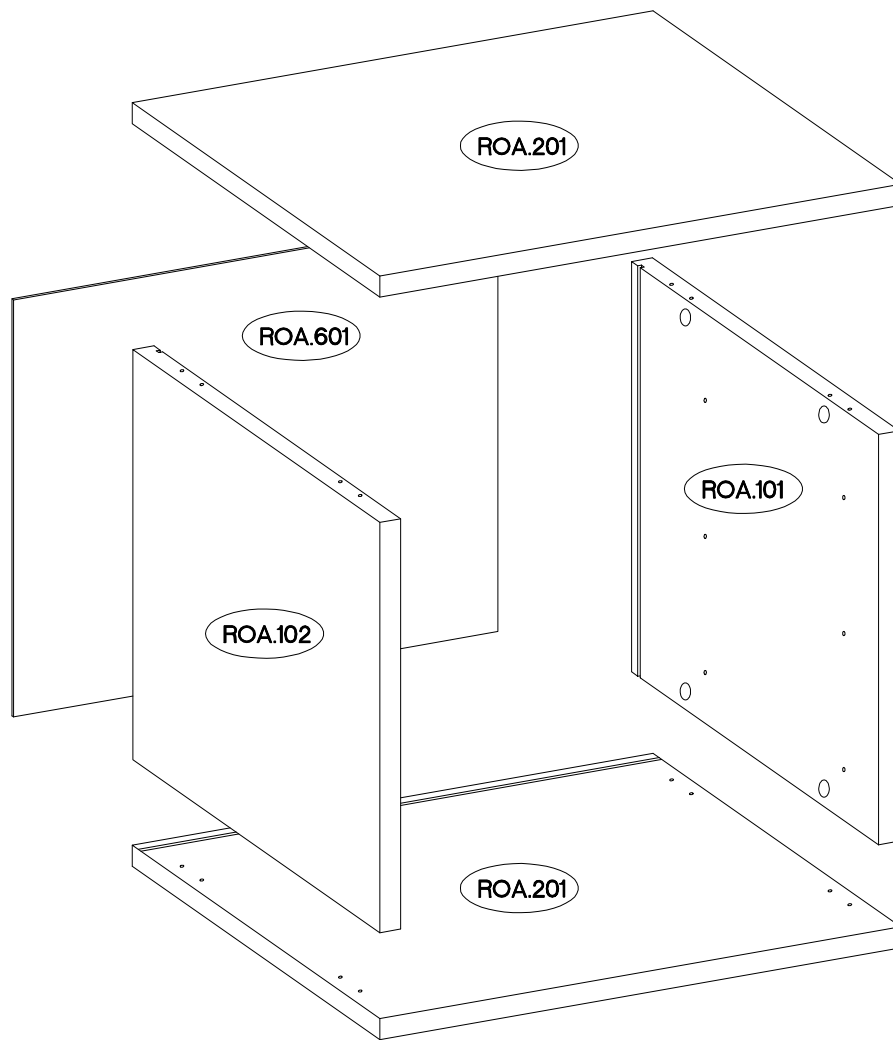


90 min



 +8x30mm A 20	 +6x42mm B2 6	 +15/12mm C 8	 +12/10mm C5 6	 L=20mm D2 14	 F21 4	 27/310mm I4 3	 L 20	 +6,3x13mm M2 12	 O1 1	 +4.0x16mm P1 16	 S 3	 M4x22mm U 6	 M4x9mm U1 6
---	---	---	--	---	----------------------------	--	---------------------------	--	---------------------------	--	--------------------------	--	--


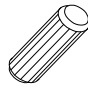

ISM-ROA-01



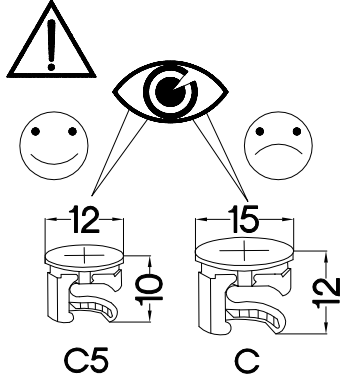
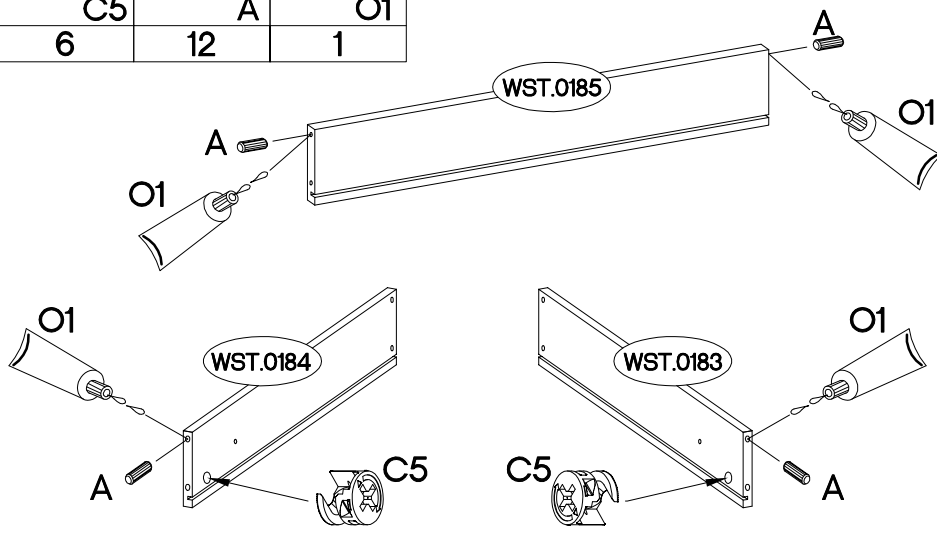
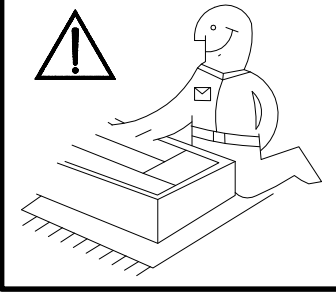
1/1	ROA.101	543x399x28
	ROA.102	543x399x28
	ROA.201 x2	700x400x28
	ROA.601	651x552x2,5
	ROA.602 x3	620x326x2,5
	ROA.701 x3	638x177x16
	WST.0183 x3	330x100x12
	WST.0184 x3	330x100x12
	WST.0185 x3	609x100x12



1



 C5 6	 A 12	 O1 1
--	--	--

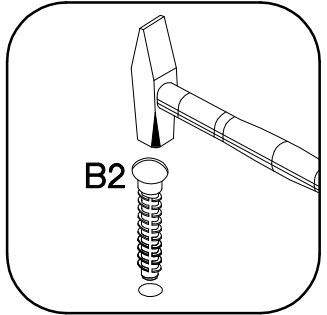
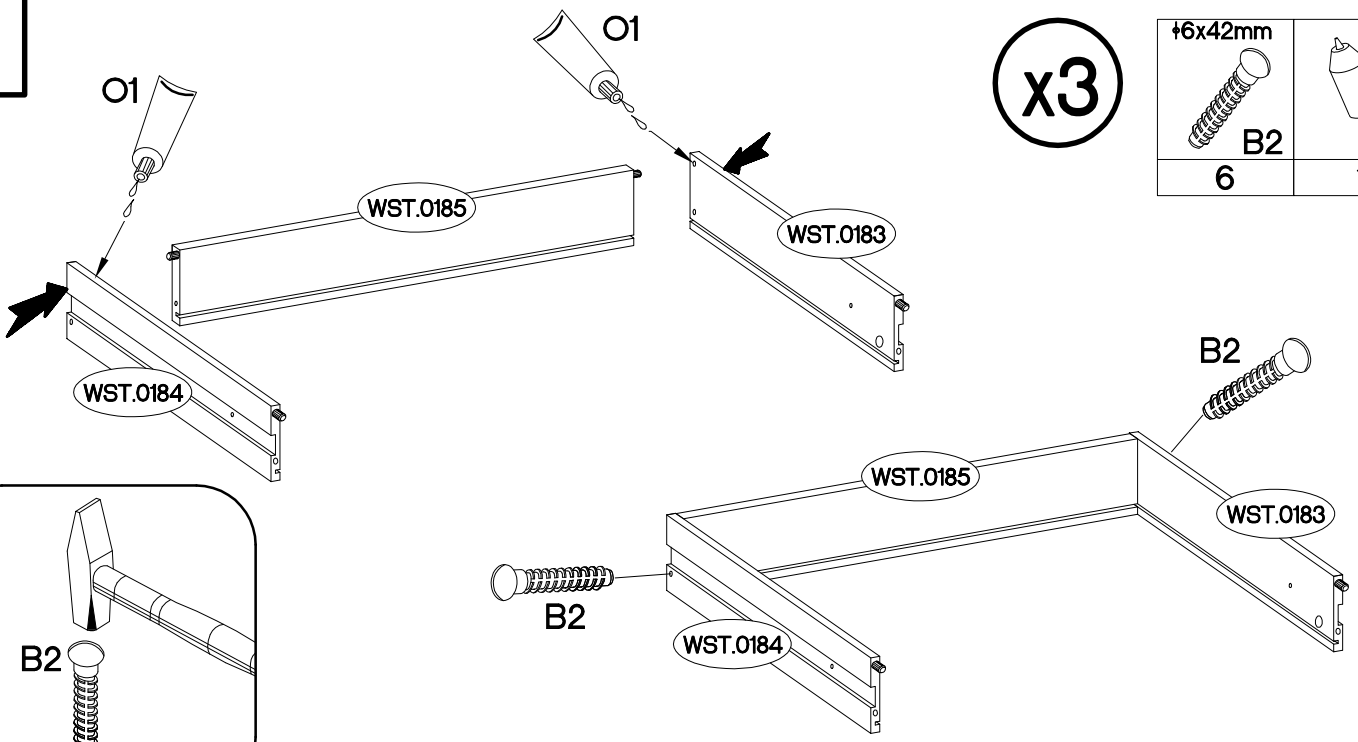
x3



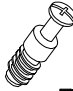
2

x3

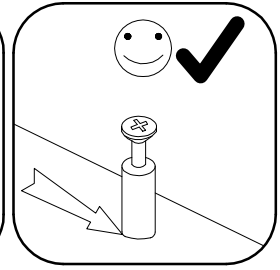
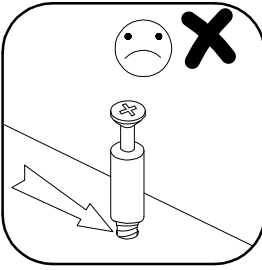
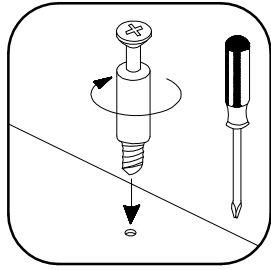
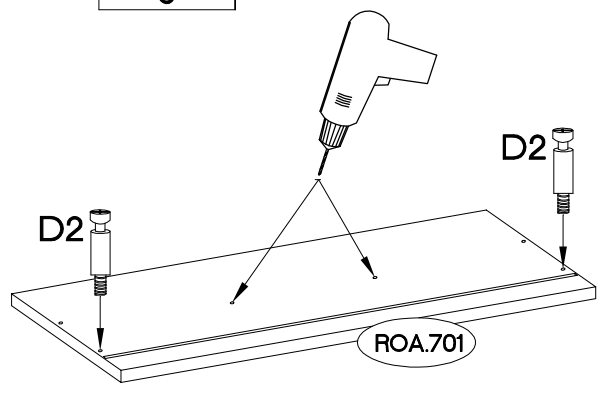
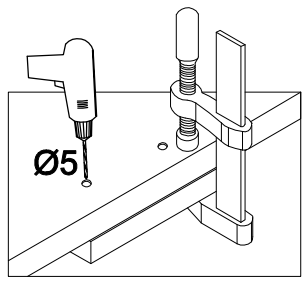
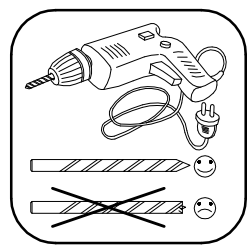
 B2 6	 O1 1
---	---



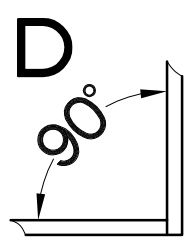
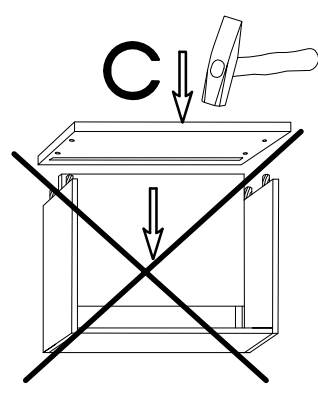
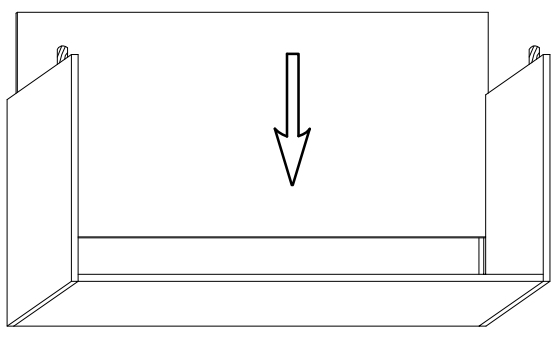
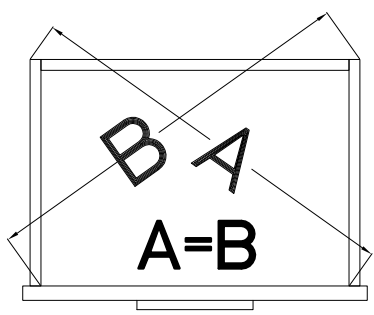
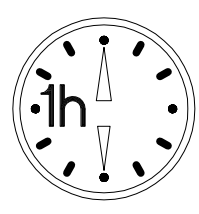
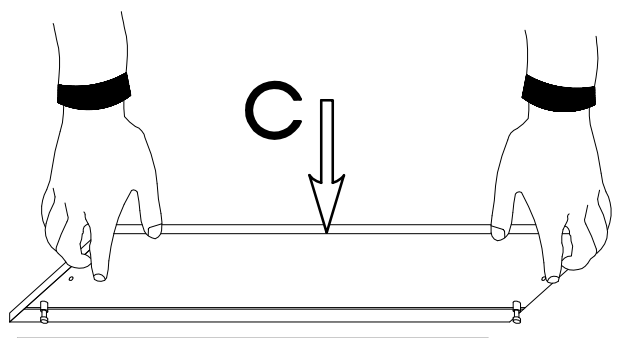
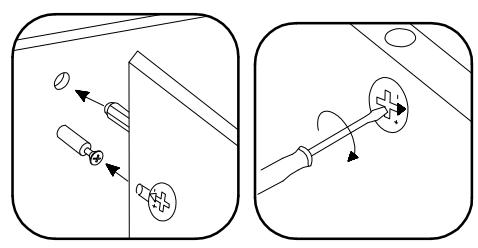
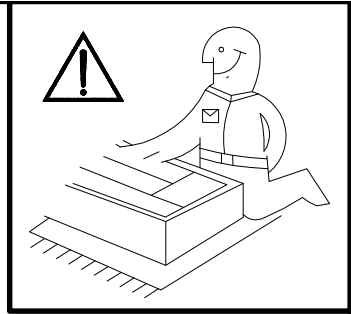
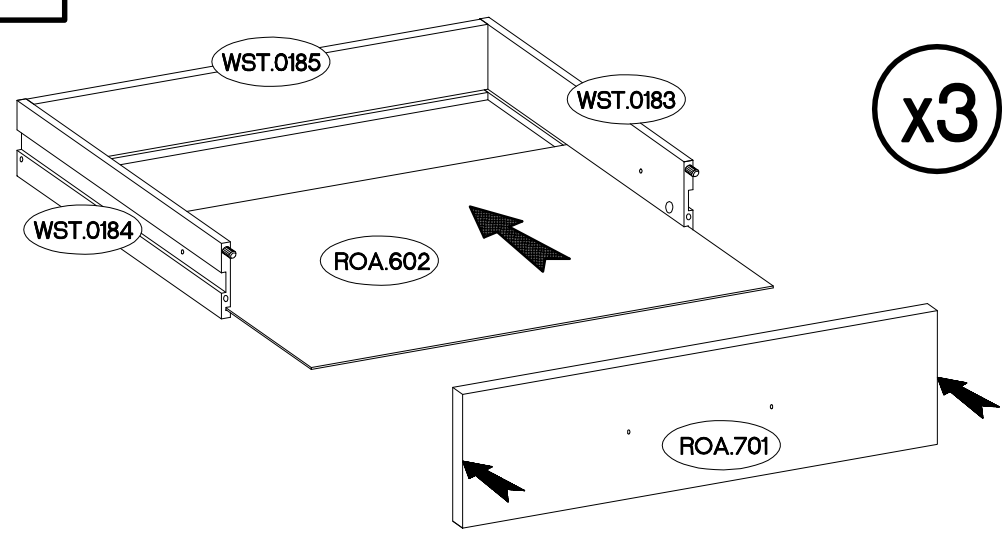
3

 D2 L=20mm 6

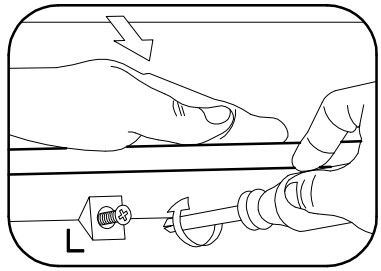
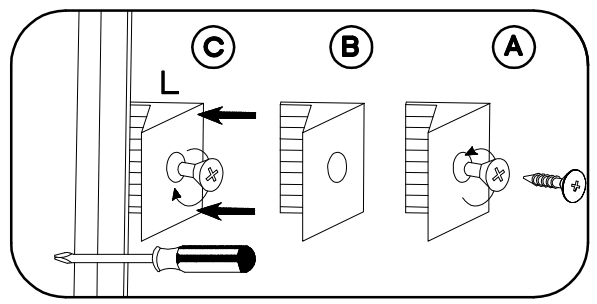
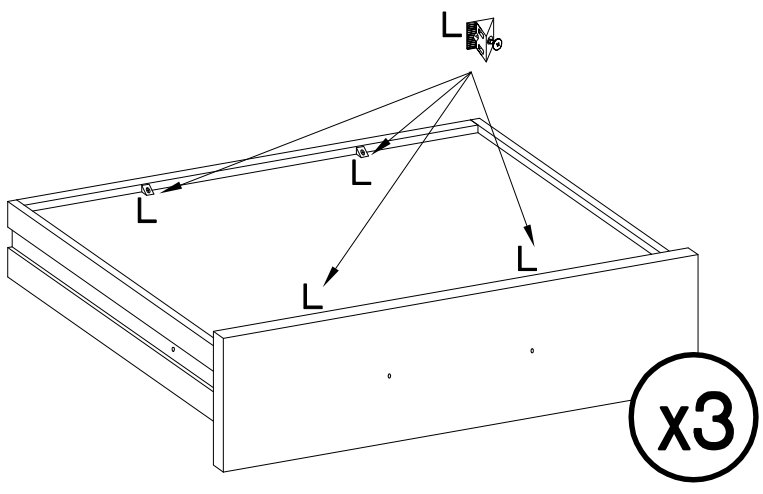
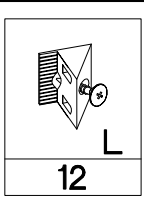
x3

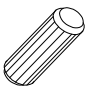
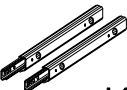


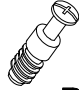


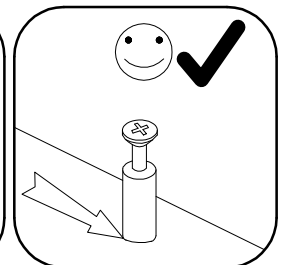
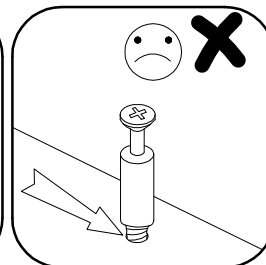
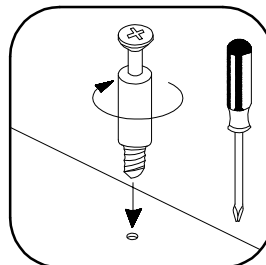
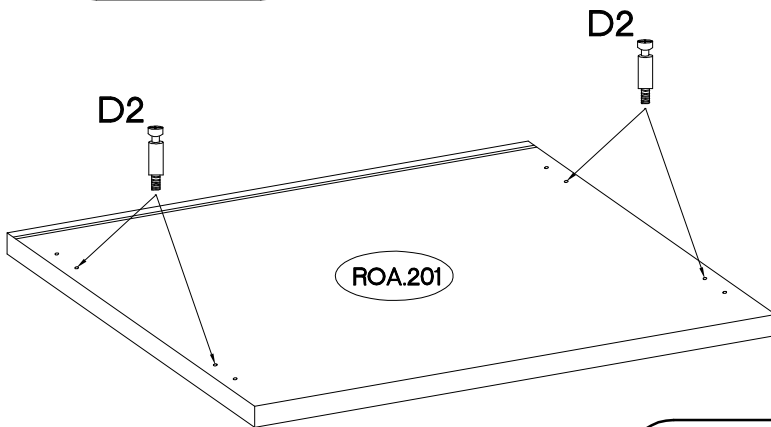
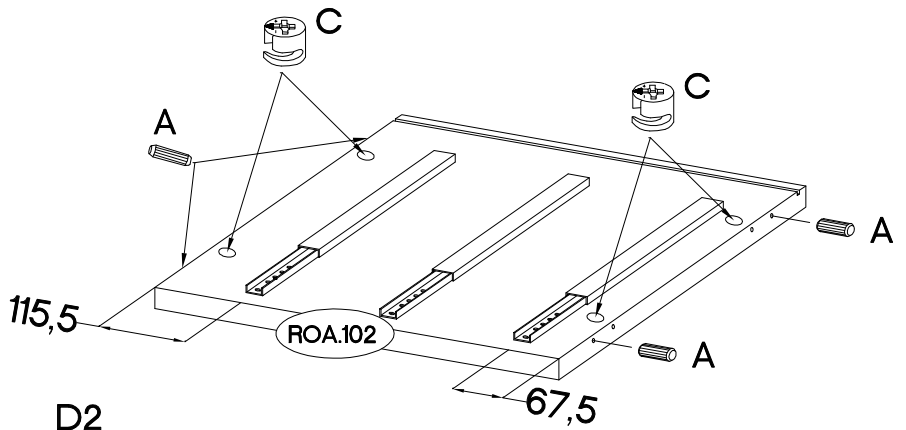
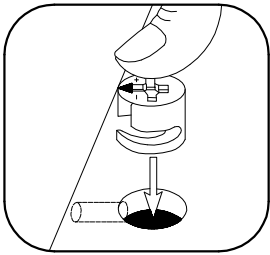
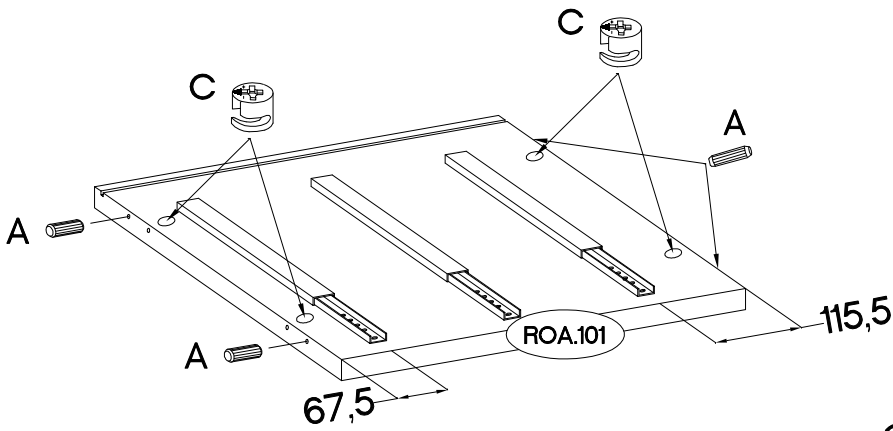
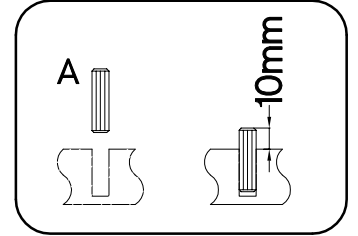
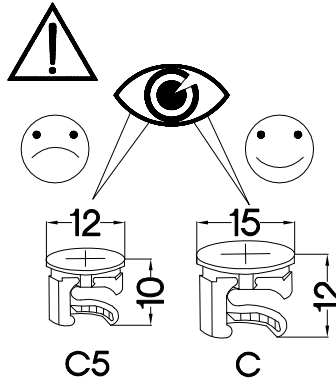
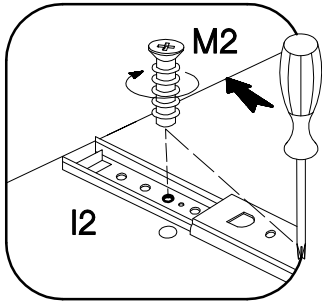
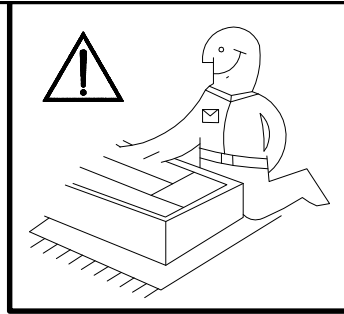
4


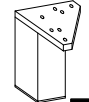



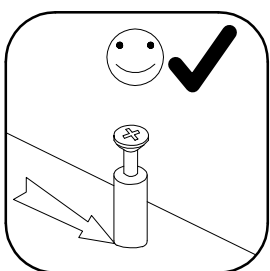
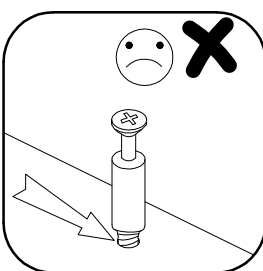
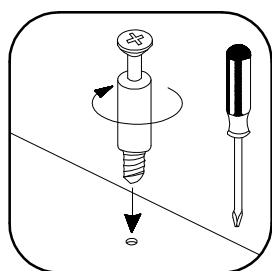
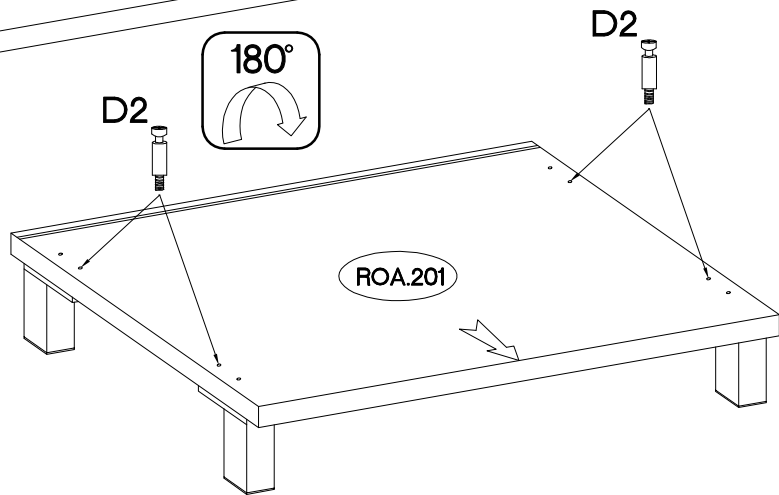
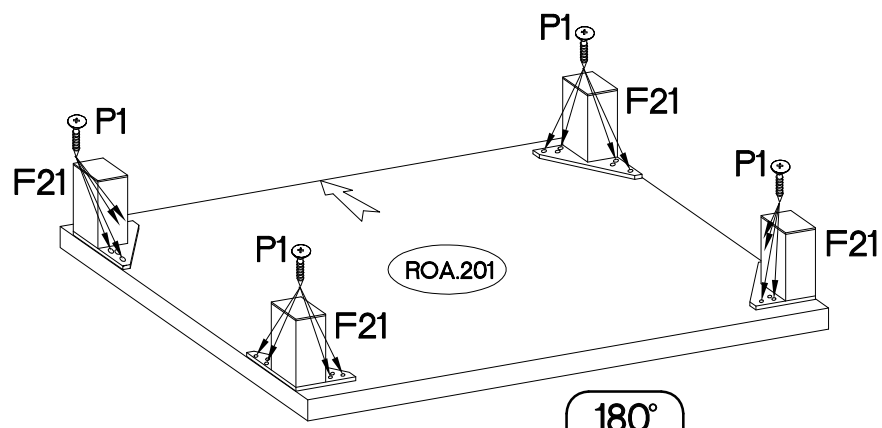
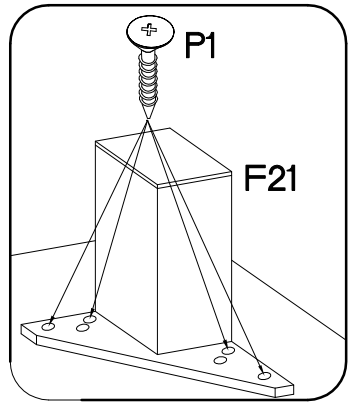
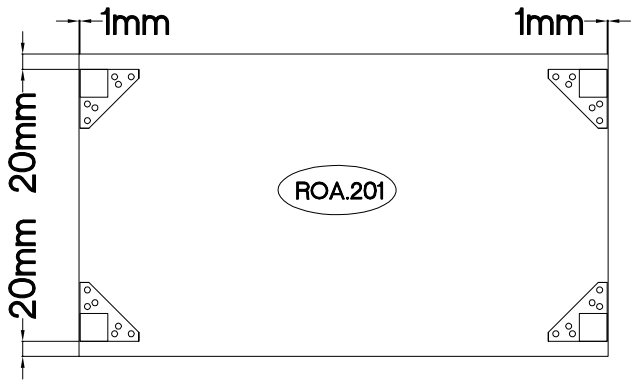
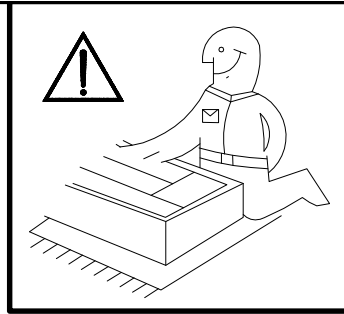
5



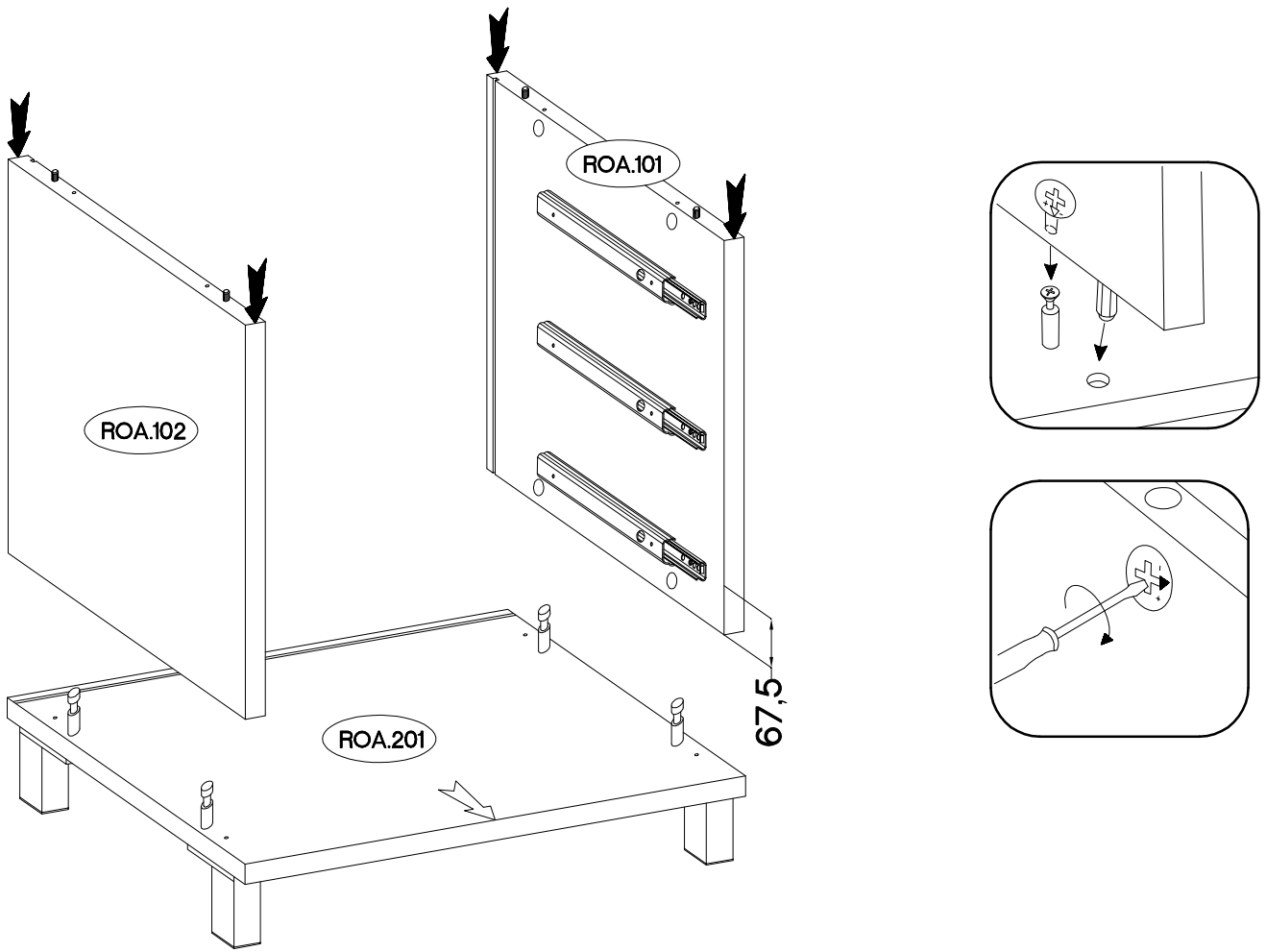
†8x30mm  A	27/310mm  I4	†6,3x13mm  M2	†15/12mm  C	L=20mm  D2
8	3	12	8	4



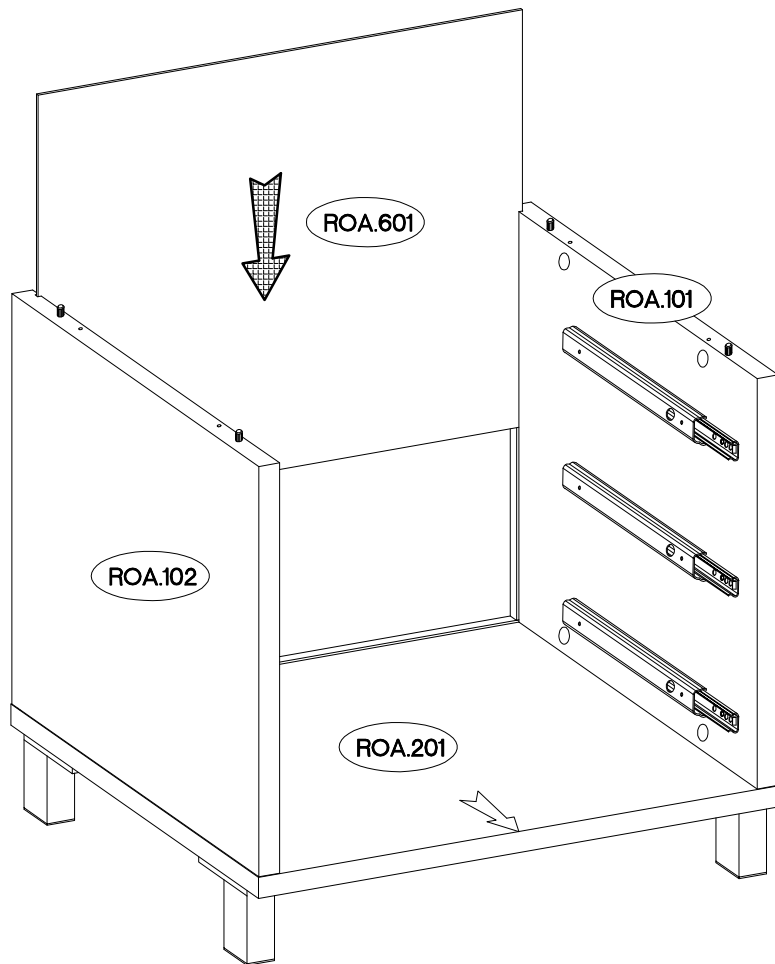
 P1 16	 F21 4	 D2 4
--	--	---



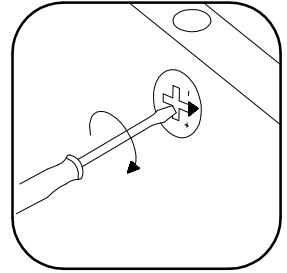
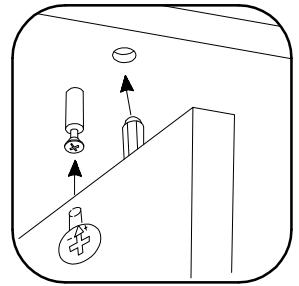
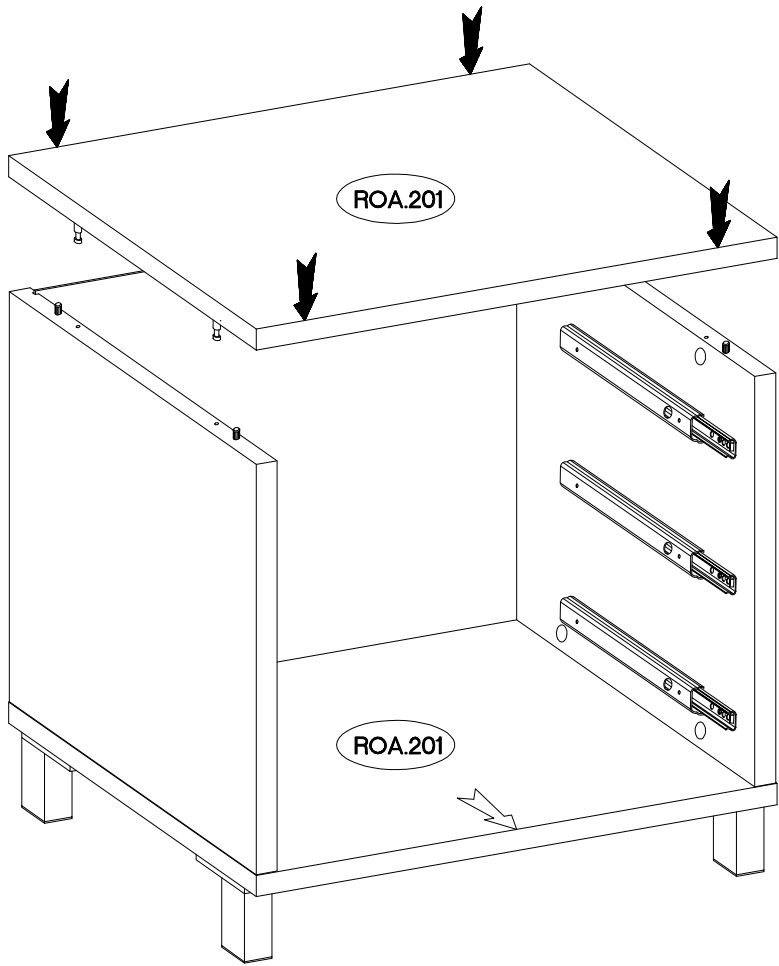
8



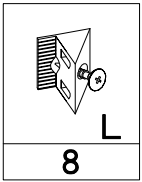
9



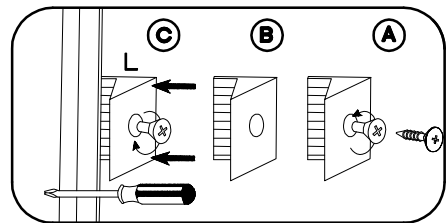
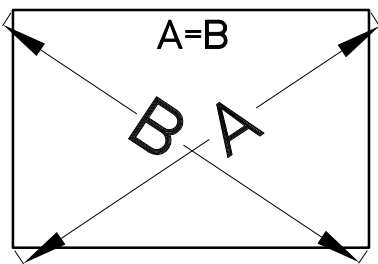
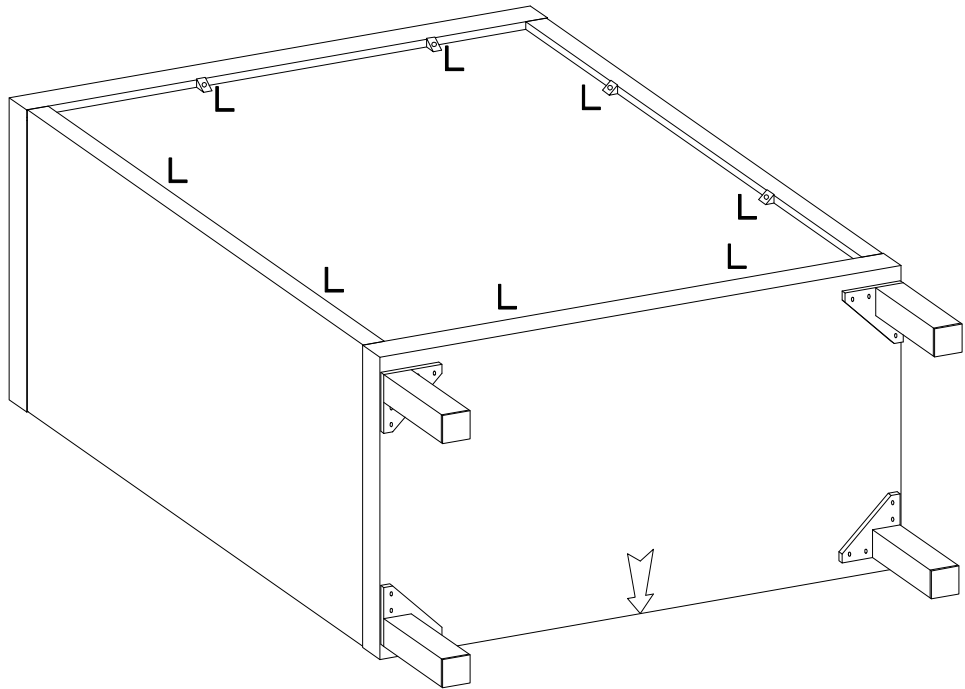
10

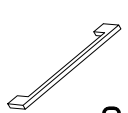


11



8



	M4x22mm	M4x9mm
S	U	U1
3	6	6

